

# OPERATION AND PARTS MANUAL



## COLLOMIX SERIES MODEL POX600 ROTATING BUCKET MIXER

Revision #0 (03/08/10)

To find the latest revision of this  
publication, visit our website at:  
[www.multiquip.com](http://www.multiquip.com)



**THIS MANUAL MUST ACCOMPANY THE EQUIPMENT AT ALL TIMES.**

# POX600 ROTATING BUCKET MIXER — SILICOSIS WARNING

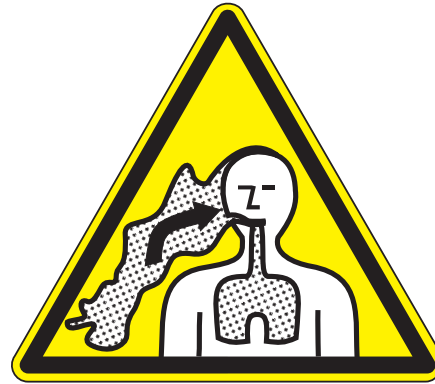
## **WARNING**



### **SILICOSIS WARNING**

Grinding/cutting/drilling of masonry, concrete, metal and other materials with silica in their composition may give off dust or mists containing crystalline silica. Silica is a basic component of sand, quartz, brick clay, granite and numerous other minerals and rocks. Repeated and/or substantial inhalation of airborne crystalline silica can cause serious or fatal respiratory diseases, including silicosis. In addition, California and some other authorities have listed respirable crystalline silica as a substance known to cause cancer. When cutting such materials, always follow the respiratory precautions mentioned above.

## **WARNING**



### **RESPIRATORY HAZARDS**

Grinding/cutting/drilling of masonry, concrete, metal and other materials can generate dust, mists and fumes containing chemicals known to cause serious or fatal injury or illness, such as respiratory disease, cancer, birth defects or other reproductive harm. If you are unfamiliar with the risks associated with the particular process and/or material being cut or the composition of the tool being used, review the material safety data sheet and/or consult your employer, the material manufacturer/supplier, governmental agencies such as OSHA and NIOSH and other sources on hazardous materials. California and some other authorities, for instance, have published lists of substances known to cause cancer, reproductive toxicity, or other harmful effects.

Control dust, mist and fumes at the source where possible. In this regard use good work practices and follow the recommendations of the manufacturers or suppliers, OSHA/NIOSH, and occupational and trade associations. Water should be used for dust suppression when wet cutting is feasible. When the hazards from inhalation of dust, mists and fumes cannot be eliminated, the operator and any bystanders should always wear a respirator approved by NIOSH/MSHA for the materials being used.

# POX600 ROTATING BUCKET MIXER — TABLE OF CONTENTS

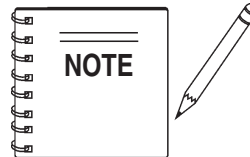
## MQ POX600

### ROTATING BUCKET MIXER

Silicosis Warning .....	2
Table Of Contents .....	3
Parts Ordering Procedures .....	4
Safety Message Alert Symbols .....	5
Rules For Safe Operation .....	6-7
Specifications .....	8
General Information .....	9
Components .....	10
Setup .....	11
Operation .....	12
Maintenance .....	13
Explanation Of Code In Remarks Column .....	14
Suggested Spare Parts .....	15

### Component Drawings

Bucket Assembly .....	16-17
Handle Assembly .....	18-19
Electrical Assembly .....	20-21
Terms and Conditions of Sale - Parts .....	22



*Specification and part number are subject to change without notice.*

# POX600 ROTATING BUCKET MIXER — PARTS ORDERING PROCEDURES

www.multiquip.com

## Ordering parts has never been easier! Choose from three easy options:

Effective:  
January 1<sup>st</sup>, 2006



### Order via Internet (Dealers Only):

Order parts on-line using Multiquip's SmartEquip website!

- View Parts Diagrams
- Order Parts
- Print Specification Information



If you have an MQ Account, to obtain a Username and Password, E-mail us at: [parts@multiquip.com](mailto:parts@multiquip.com).

To obtain an MQ Account, contact your District Sales Manager for more information.

Goto [www.multiquip.com](http://www.multiquip.com) and click on **Order Parts** to log in and save!

Use the **internet** and qualify for a **5% Discount** on *Standard orders* for all orders which include complete part numbers.\*

Note: Discounts Are Subject To Change



### Order via Fax (Dealers Only):

All customers are welcome to order parts via Fax.

**Domestic (US) Customers dial:**  
1-800-6-PARTS-7 (800-672-7877)

**Fax** your order in and qualify for a **2% Discount** on *Standard orders* for all orders which include complete part numbers.\*

Note: Discounts Are Subject To Change



**Order via Phone: Domestic (US) Dealers Call:**  
1-800-427-1244

### Non-Dealer Customers:

Contact your local Multiquip Dealer for parts or call 800-427-1244 for help in locating a dealer near you.



**International Customers** should contact their local Multiquip Representatives for Parts Ordering information.

## When ordering parts, please supply:

- |   |  |
|---|--|
| <input type="checkbox"/> Dealer Account Number                                | <input type="checkbox"/> Specify Preferred Method of Shipment:                         |
| <input type="checkbox"/> Dealer Name and Address                              | <input checked="" type="checkbox"/> UPS/Fed Ex <input checked="" type="checkbox"/> DHL |
| <input type="checkbox"/> Shipping Address (if different than billing address) | <input type="checkbox"/> Priority One <input checked="" type="checkbox"/> Truck        |
| <input type="checkbox"/> Return Fax Number                                    | <input type="checkbox"/> Ground  |
| <input type="checkbox"/> Applicable Model Number                              | <input type="checkbox"/> Next Day  |
| <input type="checkbox"/> Quantity, Part Number and Description of Each Part   | <input type="checkbox"/> Second/Third Day  |

### NOTICE

All orders are treated as *Standard Orders* and will ship the same day if received prior to 3PM PST.

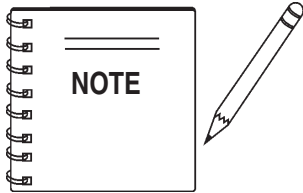
WE ACCEPT ALL MAJOR CREDIT CARDS!



# POX600 ROTATING BUCKET MIXER — SAFETY MESSAGE ALERT

## FOR YOUR SAFETY AND THE SAFETY OF OTHERS!

Safety precautions should be followed at all times when operating this equipment. Failure to read and understand the Safety Messages and Operating Instructions could result in injury to yourself and others.



This Manual has been developed to provide complete instructions for the safe and efficient operation of the **MQ POX600 ROTATING BUCKET MIXER**.

**Before using this mixer, ensure that the operating individual has read and understood all instructions in this manual.**

## SAFETY MESSAGE ALERT SYMBOLS

The three (3) Safety Messages shown below will inform you about potential hazards that could injure you or others. The Safety Messages specifically address the level of exposure to the operator, and are preceded by one of three words: **DANGER**, **WARNING**, or **CAUTION**.

### **DANGER**

You **WILL** be **KILLED** or **SERIOUSLY** injured if you **DO NOT** follow directions.

### **WARNING**

You **CAN** be **KILLED** or **SERIOUSLY** injured if you **DO NOT** follow directions.

### **CAUTION**

You **CAN** be **INJURED** if you **DO NOT** follow directions.

Potential hazards associated with the mixer operation will be referenced with Hazard Symbols which appear throughout this manual, and will be referenced in conjunction with Safety Message Alert Symbols.

## HAZARD SYMBOLS

### **Rotating Parts**



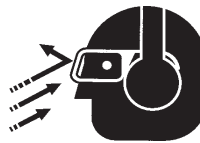
**NEVER** operate equipment with covers or guards removed. Keep fingers, hands, hair and clothing away from all moving parts to prevent injury.

### **Accidental Starting**



**OFF** **ALWAYS** place power ON/OFF switch in the **OFF** position when the mixer is not in use.

### **Sight and Hearing hazard**



**ALWAYS** wear approved eye and hearing protection.

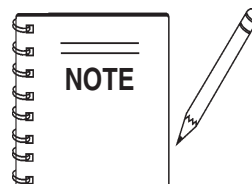
### **Respiratory Hazard**



**ALWAYS** wear approved respiratory protection.

### **Equipment Damage Messages**

Other important messages are provided throughout this manual to help prevent damage to your mixer, other property, or the surrounding environment.



This mixer, other property, or the surrounding environment could be damaged if you do not follow instructions.

# POX600 ROTATING BUCKET MIXER — RULES FOR SAFE OPERATION

## DANGER

Failure to follow instructions in this manual may lead to serious injury or even death! This equipment is to be operated by trained and qualified personnel only! This equipment is for industrial use only.

The following safety guidelines should always be used when operating the Multiquip POX600 ROTATING BUCKET MIXER.

### GENERAL SAFETY

- **DO NOT** operate or service this equipment before reading this entire manual.



- This equipment should not be operated by persons under 18 years of age.
- **NEVER** operate this equipment without proper protective clothing, shatterproof glasses, steel-toed boots and other protective devices required by the job.



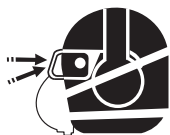
- **NEVER** operate this equipment when not feeling well due to fatigue, illness or taking medicine.



- **NEVER** operate this equipment under the influence of drugs or alcohol.



- Whenever necessary, replace nameplate, operation and safety decals when they become difficult read.
- **ALWAYS** check the machine for loosened threads or bolts before starting.
- **ALWAYS** wear proper respiratory (mask) hearing and eye protection equipment when operating the mixer.



- **NEVER** use accessories or attachments, which are not recommended by Multiquip for this equipment. Damage to the equipment and/or injury to user may result.
- Manufacturer does not assume responsibility for any accident due to equipment modifications.
- **ALWAYS** read, understand, and follow procedures in Operator's Manual before attempting to operate equipment.
- **ALWAYS** be sure the operator is familiar with proper safety precautions and operations techniques before using mixer.
- **ALWAYS** store equipment properly when it is not being used. Equipment should be stored in a clean, dry location out of the reach of children.
- **NEVER** leave the mixer unattended, turn off electric motor when unattended.
- **CAUTION** must always be observed while servicing this mixer. Rotating parts can cause injury if contacted.
- Unauthorized equipment modifications will void all warranties.
- Ensure that any extension cable is protected against damage and not liable to be tripped over or trapped underneath the mixer.
- **DO NOT** allow extension cord to come into contact with water or fluids.
- **DO NOT** spray water onto electric motor.
- Mixer must be used only for its intended purpose.
- This mixer is not suitable for the mixing of **flammable** or **explosive** substances.
- **NEVER** operate the mixer in an **explosive** atmosphere.
- Keep area around the mixer **clear of obstructions** which could cause persons to fall onto **moving parts**.
- **ALWAYS** ensure mixer is on level ground before mixing.
- Become familiar with the controls of the mixer before operating.
- **ALWAYS** disconnect AC power plug from power source before moving mixer.
- If mixer is equipped with an electric motor, operate electric motor only at the specified voltage indicated on the nameplate.
- Make sure the **OFF/ON** power switch on the electric motor is **always** in the **OFF** position before inserting the mixer's power plug into an AC receptacle (electric model only).

# POX600 ROTATING BUCKET MIXER — RULES FOR SAFE OPERATION

## Maintenance Safety

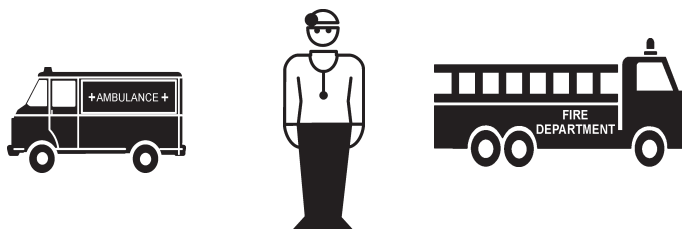
- **NEVER** lubricate components or attempt service on a running machine.
- **ALWAYS** allow the machine a proper amount of time to cool before servicing.
- Keep the machinery in proper running condition.
- Fix damage to the machine immediately and always replace broken parts, or missing decals.
- Dispose of hazardous waste properly.
- **DO NOT** use food or plastic containers to dispose of hazardous waste.

## Emergencies

- **ALWAYS** know the location of the nearest *fire extinguisher* and *first aid kit*.



- In emergencies *always* know the location of the nearest phone or *keep a phone on the job site*. Also know the phone numbers of the nearest *ambulance*, *doctor* and *fire department*. This information will be invaluable in the case of an emergency.



# POX600 ROTATING BUCKET MIXER — SPECIFICATIONS

## Table 1. POX600 Specifications

<b>Model</b>	POX600
Voltage	110 V 60 Hz
Watts	550
HP	3/4
Amps	6
Motor Rotary Table RPM	55
Mixing Tub RPM	50
Mixing Tool	POX
Mixing Capacity	10 gallons (38 liters)
Weight	105 lb (47.6 kg)
Dimensions	23.6 x 32.3 x 28.3 inches (600 x 820 x 720 mm)

# POX600 ROTATING BUCKET MIXER — GENERAL INFORMATION

## Application

The MQ POX600 Rotating Bucket Mixer is an automatic mixing device for the mixing of construction materials with aggregates containing sand or gravel such as diverse types of mortar, screed, concrete and plasters (excluding gypsum plaster).

The maximum recommended mixing volume is 10 gallons per mixing operation. It is recommended that you check the amount of time required for mixing by running tests with the required material first.

If used properly, the mixer will provide years of safe and reliable service.

The POX600 mixer is not to be used for the processing or preparation of food or similar products.

## Electrical

Make sure that the power being supplied to the motor corresponds to the voltage rating label on the motor. Supplying the wrong voltage to the electric motor will cause severe electrical damage to the motor.

Always make sure the **OFF/ON** switch is in the **OFF** position before applying power.

## Extension Cables

The extension cable should be a 3-wire configuration that includes a ground wire that conforms to UL code. Choose the correct size of an extension cord as shown in Table 2. Remember **distance** affects the wire size of the extension cable.

Ensure that the extension cable is carefully laid out avoiding **wet areas**, **sharp edges** and locations where vehicles might run over it.

Unroll the extension cable fully or it will overheat and could catch fire. Make sure that all extension cable connections are dry and safe. Replace any defective or worn-out extension cable immediately.

TABLE 2. Extension Cord Sizes

Ampere Rating Range	Volts	Length of Cord in Feet					
	115V	25 Ft.	50 Ft.	100 Ft.	150 Ft.	200 Ft.	250 Ft.
	230V	50 Ft.	100 Ft.	200 Ft.	300 Ft.	400 Ft.	500 Ft.
0 - 2		18	18	18	16	16	14
2 - 3		18	18	16	14	14	12
3 - 4		18	18	16	14	12	12
4 - 5		18	18	14	12	12	10
5 - 6		18	16	14	12	10	10
6 - 8		18	16	12	10	10	8
8 - 10		18	14	12	10	8	8
10 - 12		16	14	10	8	8	6
12 - 14		16	12	10	8	6	6
14 - 16		16	12	10	8	6	6
16 - 18		14	12	8	8	6	4
18 - 20		14	12	8	6	6	4

## POX600 ROTATING BUCKET MIXER — COMPONENTS



Figure 1. Mixer Major Components

Refer to Figure 1 for the location of the following mixer components.

1. **Tub Mount** — Holds the tub in place.
2. **Tub** — Holds up to 10 gallons of mixing material.
3. **Mixing Tool** — This tool is used to mix chemical building products.
4. **Swivel Arm** — Where mixing tool is attached and can easily swivel into the tub for mixing and lifted up when mixing is completed.
5. **ON/OFF Switch**— Pressing the green button turns the mixer on and starts rotation of the mixing tub. Pressing the red button stops mixing operation.
6. **Carrying Handle** — This handle is hinged for easy transport by one person.
7. **Machine Plug** — Connect the machine plug to the appropriate power outlet using a suitable extension cable (type SJNW 3 x 13 AWG with a fault current circuit-breaker) before operation.

# POX600 ROTATING BUCKET MIXER — SETUP

## Electric Connections

### CAUTION

**DO NOT** attempt to operate the mixer until the Safety, General Information and Set-Up sections have been read and understood.

### CAUTION

Before plugging the power cable, check and make sure that the ON/OFF button is in the OFF position.

1. Connect the mixer power cable to a 110V, 60 Hz power source. Make sure you conform to the specifications on the nameplate of the mixer.
2. Use an extension cord (see Table 2) of adequate current carrying capacity (type SJNW 3X13 AWG). **NEVER** use a **worn** or **frayed** extension cord. Insert the electric motor's power plug into one end of the extension cord.

### DANGER

**NEVER** touch the power cord (Figure 3) with **wet hands** or while **standing in water** when it is connected to a power source. The possibility exists of electrical shock (electrocution) even death. **NEVER** spray water directly on the electric motor.

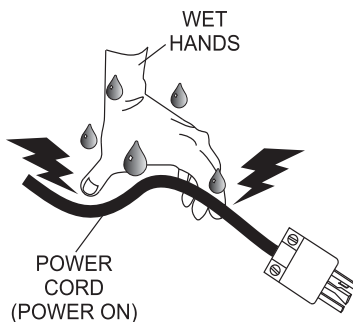
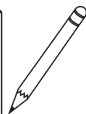
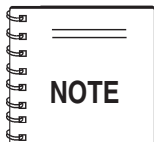


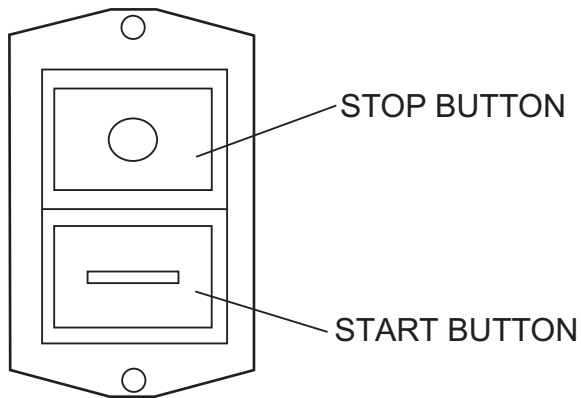
Figure 2. Extension Cord (Wet Hands)



To prevent personnel from tripping over the extension cord, position the extension cord so that it lays flat and is not curled.

## POX600 ROTATING BUCKET MIXER — OPERATION

1. Make sure that the mixing tool is not in the tub.
2. Fill the mixing tub with the mixing material (water and the dry material).
3. Swing down the swivel arm to lower the mixing tool into the tub and submerge it into the mixing material.
4. Press the green START button (Figure 3) to start mixing. The mixing tub begins to rotate. The mixing material is guided through the mixing tool as a result of the rotation of the tub. If large amounts of material remain unmoved, they can be loosened again by lifting the swivel arm.



**Figure 3. ON/OFF Switch**

5. When there is a drop in voltage in the main power supply or the extension cable is too long, or the power connection is cut off, the machine will shut down automatically. After the problem is rectified, restart the machine.
6. If the tub drive is overloaded as a result of too much mixing material, or if the mixing material is too viscous, the thermostat on the motor will switch off the machine. Reduce the amount of mixing material and allow the motor to cool down. Then, restart the machine.
7. To stop mixing operation, press the red OFF button (Figure 3) and the mixing tub will stop rotating.

# POX600 ROTATING BUCKET MIXER — MAINTENANCE

## CAUTION

**ALWAYS** disconnect the mixer from the power supply before cleaning, changing the mixing tool, or performing any maintenance.

## CAUTION

To assure product safety and reliability, repairs, maintenance, and adjustments should be performed by an authorized service center or qualified technician to prevent any misplaced wires and components that could cause serious hazards.

1. Clean the machine and mixing tool after every use.
2. Apply grease to all moving parts at regular intervals.
3. Replace all damaged or bent machine parts.
4. Replace mixing tub and mixing tool with genuine Multiquip replacement parts to guarantee that the machine will work properly.

### Replacing Mixing Tool

1. Remove the three screws on the swivel arm that holds the mixing tool and remove the corresponding nuts on the mixing tool (Figure 4).
2. Remove the old mixing tool.
3. Replace the mixing tool with Multiquip Model POX.
4. Reinsert the three screws and tighten with nuts.

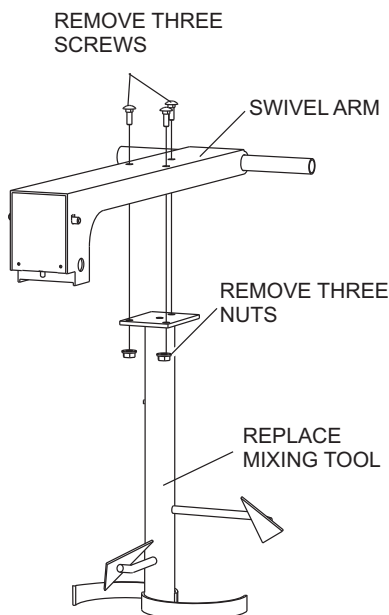


Figure 4. Replacing Mixing Tool

### Mixer Storage

For storage of the mixer for over 30 days, the following is recommended:

- Clean the mixer and mixing tool.
- Cover the mixer and place it in a clean dry area, that is protected from harsh elements.

# EXPLANATION OF CODE IN REMARKS COLUMN

The following section explains the different symbols and remarks used in the Parts section of this manual. Use the help numbers found on the back page of the manual if there are any questions.

## NOTICE

The contents and part numbers listed in the parts section are subject to change **without notice**. Multiquip does not guarantee the availability of the parts listed.

## SAMPLE PARTS LIST

NO.	PART NO.	PART NAME	QTY.	REMARKS
1	12345	BOLT.....	1	INCLUDES ITEMS W/%
2%		WASHER, 1/4 IN.....		NOT SOLD SEPARATELY
2%	12347	WASHER, 3/8 IN.....	1	MQ-45T ONLY
3	12348	HOSE .....	A/R	MAKE LOCALLY
4	12349	BEARING .....	1	S/N 2345B AND ABOVE

## NO. Column

**Unique Symbols** — All items with same unique symbol

(@, #, +, %, or >) in the number column belong to the same assembly or kit, which is indicated by a note in the “Remarks” column.

**Duplicate Item Numbers** — Duplicate numbers indicate multiple part numbers, which are in effect for the same general item, such as different size saw blade guards in use or a part that has been updated on newer versions of the same machine.

## NOTICE

When ordering a part that has more than one item number listed, check the remarks column for help in determining the proper part to order.

## PART NO. Column

**Numbers Used** — Part numbers can be indicated by a number, a blank entry, or TBD.

TBD (To Be Determined) is generally used to show a part that has not been assigned a formal part number at the time of publication.

A blank entry generally indicates that the item is not sold separately or is not sold by Multiquip. Other entries will be clarified in the “Remarks” Column.

## QTY. Column

**Numbers Used** — Item quantity can be indicated by a number, a blank entry, or A/R.

A/R (As Required) is generally used for hoses or other parts that are sold in bulk and cut to length.

A blank entry generally indicates that the item is not sold separately. Other entries will be clarified in the “Remarks” Column.

## REMARKS Column

Some of the most common notes found in the “Remarks” Column are listed below. Other additional notes needed to describe the item can also be shown.

**Assembly/Kit** — All items on the parts list with the same unique symbol will be included when this item is purchased.

Indicated by:

“INCLUDES ITEMS W/(unique symbol)”

**Serial Number Break** — Used to list an effective serial number range where a particular part is used.

Indicated by:

“S/N XXXXX AND BELOW”

“S/N XXXX AND ABOVE”

“S/N XXXX TO S/N XXX”

**Specific Model Number Use** — Indicates that the part is used only with the specific model number or model number variant listed. It can also be used to show a part is NOT used on a specific model or model number variant.

Indicated by:

“XXXXX ONLY”

“NOT USED ON XXXX”

**“Make/Obtain Locally”** — Indicates that the part can be purchased at any hardware shop or made out of available items. Examples include battery cables, shims, and certain washers and nuts.

**“Not Sold Separately”** — Indicates that an item cannot be purchased as a separate item and is either part of an assembly/kit that can be purchased, or is not available for sale through Multiquip.





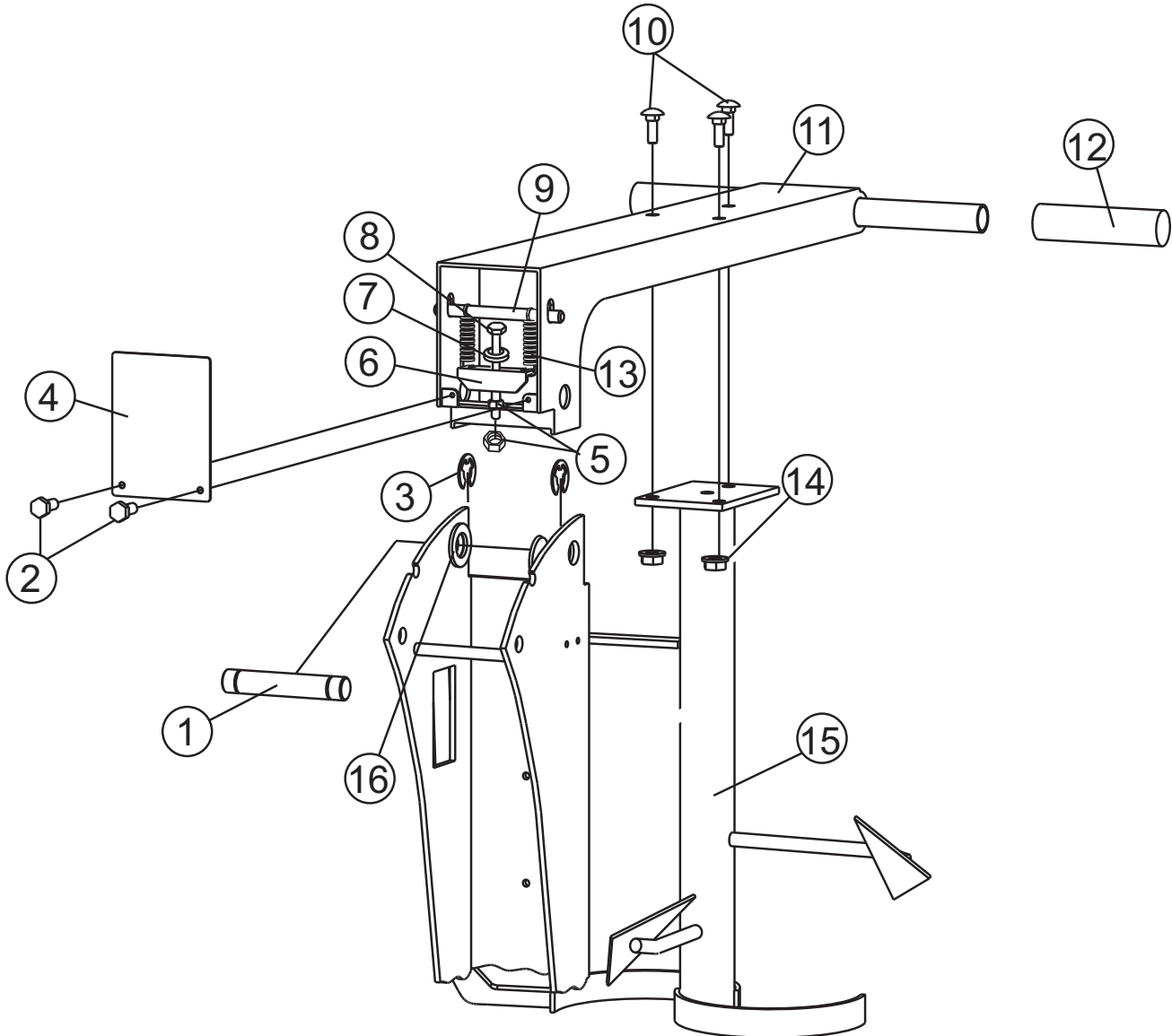
## POX600 ROTATING BUCKET MIXER — BUCKET ASSEMBLY

### BUCKET ASSY.

<u>NO</u>	<u>PART NO</u>	<u>PART NAME</u>	<u>QTY.</u>	<u>REMARKS</u>
1	CM60370	STAND	1	
2	CM50088	SELF-LOCKING SCREW M8X16 ZN F90	4	
3	CM60337	HANDLE HELIOS	1	
4	CM60401	HANDLE REAR	1	
5	CM60402	DISC PA 6 / 8.4X25X2.5	2	
6	CM51129	87 DIN CHEESE HEAD SCREW M3X30 ZN	2	
7	CM50088	SELF-LOCKING SCREW M8X16 ZN F90	1	
8	CM50028	WASHER, FLAT 8,4X30 ZN	1	
9	CM50088	SELF-LOCKING SCREW M8X16 ZN F90	8	
10	CM61116	CABLE STRAP 295MM	1	
11	CM60436	START-UP CAPACITOR, 50 $\mu$ F 130V/480	1	
12	CM60371	ATTACHMENT RMI50	1	
13	CM50974	6885 DIN PARALLEL KEY A 8X7X50	1	
14	CM60387	BUCKET GUIDANCE	1	
15	CM60403	MORTAR BUCKET 65 L, BLACK	1	
16	CM60369	HOUSING	1	
17	CM50000	094 DIN SPLINT 4X40 ZN	1	
18	CM60185	WHEEL FOR 40/2K	2	
19	CM50038	125 DIN WASHER A21 GALV.	4	
20	CM60413	MOTOR 110V/60 HZ WITH WORM GEAR	1	
21	CM60435	CAPACITOR 50 $\mu$ F/450V	1	
22	CM64084	SCREW CONNECTION M16 X1.5	1	
23	CM64085	NUT M16X1.5	1	

# POX600 ROTATING BUCKET MIXER — HANDLE ASSEMBLY

HANDLE ASSY.



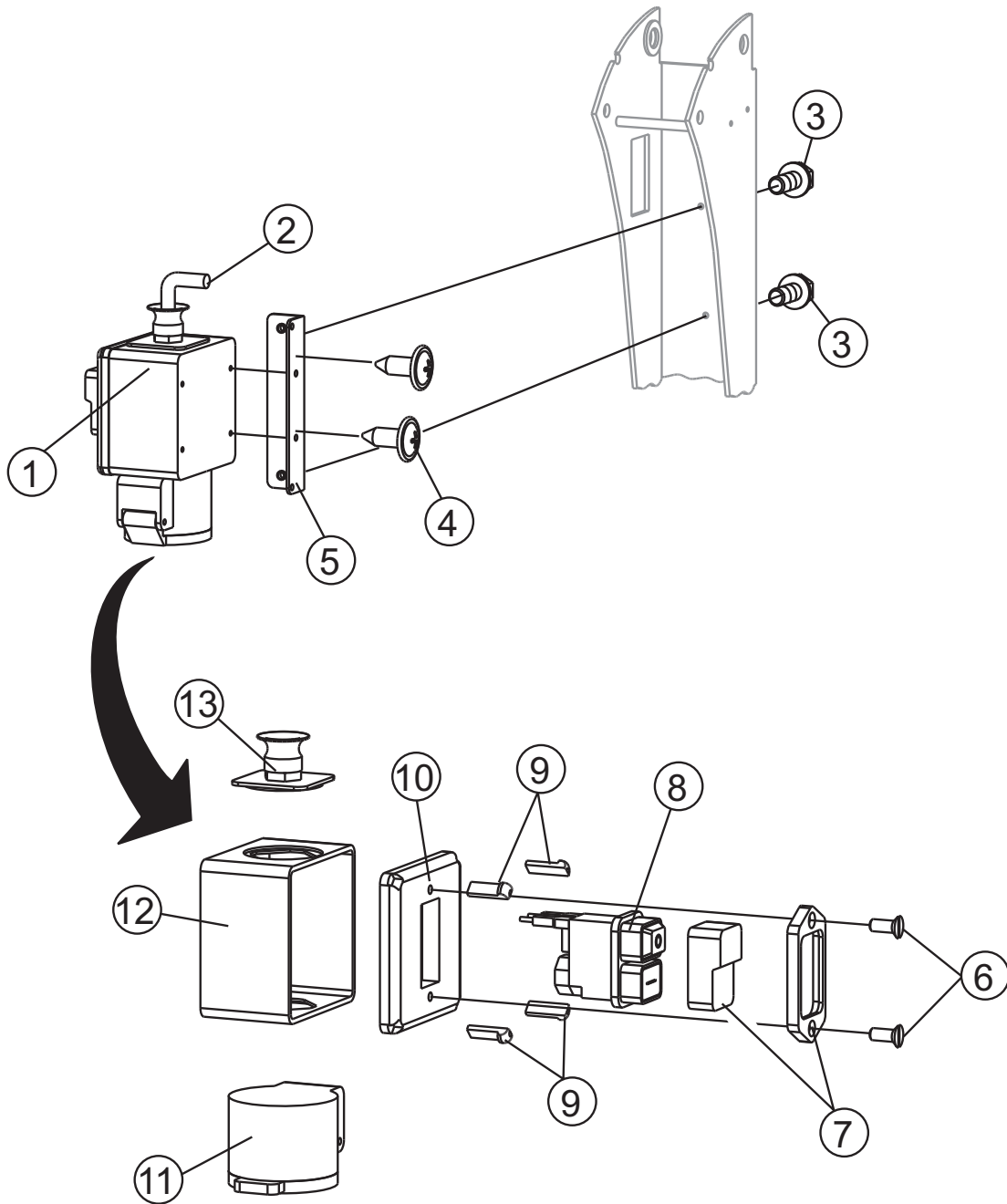
# POX600 ROTATING BUCKET MIXER — HANDLE ASSEMBLY

## HANDLE ASSY.

<u>NO</u>	<u>PART NO</u>	<u>PART NAME</u>	<u>QTY.</u>	<u>REMARKS</u>
1	CM60399	AXLE SWIVEL ARM	1	
2	CM51001	7976 DIN TAPPING SCREW 4,2X13 ZN	2	
3	CM50976	6799 DIN WASHER D15 ZN	2	
4	CM60389	COVER REAR SWIVEL ARM	1	
5	CM50888	934 DIN HEX NUT M 6 ZN	2	
6	CM60397	CLAMPING	1	
7	CM50005	125 DIN WASHER B6,4 ZN	1	
8	CM50912	931 DIN HEX SCREW M6X45 ZN	1	
9	CM60396	NOTCHED PIN	1	
10	CM51117	7991 DIN COUNTERSUNK SOCKET HHCS M8X12	3	
11	CM60388	SWIVEL ARM	1	
12	CM60337	HANDLE HELIOS	1	
13	CM62028	TENSION SPRING Z-142X	2	
14	CM50092	SELF-LOCKING NUT M8 ZN F90	1	
15	CM70147	STARMIXER STR 160/90 GALV. M16	1	
16	CM60314	WASHER, FLAT PA 6 DIN 125 D21X3	2	

# POX600 ROTATING BUCKET MIXER — ELECTRICAL ASSEMBLY

ELECTRICAL ASSY.



# POX600 ROTATING BUCKET MIXER — ELECTRICAL ASSEMBLY

ELECTRICAL ASSY.

<u>NO</u>	<u>PART NO</u>	<u>PART NAME</u>	<u>QTY.</u>	<u>REMARKS</u>
1	CM60414	CONTROL UNIT 110V 60HZ COMPLETE .....	1	INCLUDES ITEMS W/#
2#	CM71557	CABLE MOTOR, 110/230V	1	
3#	CM50093	SELF-LOCKING SCREW M5X12 ZN F90	2	
4#	CM50973	7981 DIN SELF TAPPING CONVEX HD. SCREW	2	
5#	CM60384	ATTACHMENT FOR SWITCH HOUSING	1	
6#	CM50972	7991 DIN COUNTERSUNK HHCS M8X20	2	
7#	CM60380	COVER	1	
8#	CM60421	UNDER VOLTAGE SWITCH 110V 60HZ	1	
9#	CM60406	INTERLOCK YELLOW	4	
10#	CM60378	CAP FLAT	1	
11#	CM60432	DEVICE PLUG 110V 60HZ US	1	
12#	CM60375	BASIC HOUSING	1	
13#	CM60377	CABLE ENTRY PG 11	1	

# TERMS AND CONDITIONS OF SALE — PARTS

## PAYMENT TERMS

Terms of payment for parts are net 30 days.

## FREIGHT POLICY

All parts orders will be shipped collect or prepaid with the charges added to the invoice. All shipments are F.O.B. point of origin. Multiquip's responsibility ceases when a signed manifest has been obtained from the carrier, and any claim for shortage or damage must be settled between the consignee and the carrier.

## MINIMUM ORDER

The minimum charge for orders from Multiquip is \$15.00 net. Customers will be asked for instructions regarding handling of orders not meeting this requirement.

## RETURNED GOODS POLICY

Return shipments will be accepted and credit will be allowed, subject to the following provisions:

1. A Returned Material Authorization must be approved by Multiquip prior to shipment.
2. To obtain a Return Material Authorization, a list must be provided to Multiquip Parts Sales that defines item numbers, quantities, and descriptions of the items to be returned.
  - a. The parts numbers and descriptions must match the current parts price list.
  - b. The list must be typed or computer generated.
  - c. The list must state the reason(s) for the return.
  - d. The list must reference the sales order(s) or invoice(s) under which the items were originally purchased.
  - e. The list must include the name and phone number of the person requesting the RMA.
3. A copy of the Return Material Authorization must accompany the return shipment.
4. Freight is at the sender's expense. All parts must be returned freight prepaid to Multiquip's designated receiving point.

5. Parts must be in new and resalable condition, in the original Multiquip package (if any), and with Multiquip part numbers clearly marked.
6. The following items are not returnable:
  - a. Obsolete parts. (If an item is in the price book and shows as being replaced by another item, it is obsolete.)
  - b. Any parts with a limited shelf life (such as gaskets, seals, "O" rings, and other rubber parts) that were purchased more than six months prior to the return date.
  - c. Any line item with an extended dealer net price of less than \$5.00.
  - d. Special order items.
  - e. Electrical components.
  - f. Paint, chemicals, and lubricants.
  - g. Decals and paper products.
  - h. Items purchased in kits.
7. The sender will be notified of any material received that is not acceptable.
8. Such material will be held for five working days from notification, pending instructions. If a reply is not received within five days, the material will be returned to the sender at his expense.
9. Credit on returned parts will be issued at dealer net price at time of the original purchase, less a 15% restocking charge.
10. In cases where an item is accepted, for which the original purchase document can not be determined, the price will be based on the list price that was effective twelve months prior to the RMA date.
11. Credit issued will be applied to future purchases only.

## PRICING AND REBATES

Prices are subject to change without prior notice. Price changes are effective on a specific date and all orders received on or after that date will be billed at the revised price. Rebates for price declines and added charges for price increases will not be made for stock on hand at the time of any price change.

Multiquip reserves the right to quote and sell direct to Government agencies, and to Original Equipment Manufacturer accounts who use our products as integral parts of their own products.

## SPECIAL EXPEDITING SERVICE

A \$35.00 surcharge will be added to the invoice for special handling including bus shipments, insured parcel post or in cases where Multiquip must personally deliver the parts to the carrier.

## LIMITATIONS OF SELLER'S LIABILITY

Multiquip shall not be liable hereunder for damages in excess of the purchase price of the item with respect to which damages are claimed, and in no event shall Multiquip be liable for loss of profit or good will or for any other special, consequential or incidental damages.

## LIMITATION OF WARRANTIES

No warranties, express or implied, are made in connection with the sale of parts or trade accessories nor as to any engine not manufactured by Multiquip. Such warranties made in connection with the sale of new, complete units are made exclusively by a statement of warranty packaged with such units, and Multiquip neither assumes nor authorizes any person to assume for it any other obligation or liability whatever in connection with the sale of its products. Apart from such written statement of warranty, there are no warranties, express, implied or statutory, which extend beyond the description of the products on the face hereof.

Effective: February 22, 2006



# OPERATION AND PARTS MANUAL

## HERE'S HOW TO GET HELP

PLEASE HAVE THE MODEL AND SERIAL  
NUMBER ON-HAND WHEN CALLING

### UNITED STATES

#### ***Multiquip Corporate Office***

18910 Wilmington Ave. Tel. (800) 421-1244  
Carson, CA 90746 Fax (800) 537-3927  
Contact: mq@multiquip.com

#### ***Mayco Parts***

800-306-2926 Fax: 800-672-7877  
310-537-3700 Fax: 310-637-3284

#### ***Service Department***

800-421-1244 Fax: 310-537-4259  
310-537-3700

#### ***MQ Parts Department***

800-427-1244 Fax: 800-672-7877  
310-537-3700 Fax: 310-637-3284

#### ***Warranty Department***

800-421-1244, Ext. 279 Fax: 310-537-1173  
310-537-3700, Ext. 279

#### ***Technical Assistance***

800-478-1244 Fax: 310-631-5032

### MEXICO

#### ***MQ Cipsa***

Carr. Fed. Mexico-Puebla KM 126.5 Tel: (52) 222-225-9900  
Momoxpan, Cholula, Puebla 72760 Mexico Fax: (52) 222-285-0420  
Contact: pmastretta@cipsa.com.mx

### CANADA

#### ***Multiquip***

4110 Industriel Boul. Tel: (450) 625-2244  
Laval, Quebec, Canada H7L 6V3 Tel: (877) 963-4411  
Contact: jmartin@multiquip.com Fax: (450) 625-8664

### UNITED KINGDOM

#### ***Multiquip (UK) Limited Head Office***

Unit 2, Northpoint Industrial Estate, Tel: 0161 339 2223  
Global Lane, Fax: 0161 339 3226  
Dukinfield, Cheshire SK16 4UJ  
Contact: sales@multiquip.co.uk

© COPYRIGHT 2010, MULTIQUIP INC.

Multiquip Inc and the MQ logo are registered trademarks of Multiquip Inc. and may not be used, reproduced, or altered without written permission. All other trademarks are the property of their respective owners and used with permission.

This manual **MUST** accompany the equipment at all times. This manual is considered a permanent part of the equipment and should remain with the unit if resold.

The information and specifications included in this publication were in effect at the time of approval for printing. Illustrations, descriptions, references and technical data contained in this manual are for guidance only and may not be considered as binding. Multiquip Inc. reserves the right to discontinue or change specifications, design or the information published in this publication at any time without notice and without incurring any obligations.

Your Local Dealer is:

