

PARTS MANUAL



BTO RIDE-ON POWER TROWEL

MODEL # _____

SERIAL # _____

Revision #1 (10/16/02)



MULTIQUIP INC.

18910 WILMINGTON AVE.
CARSON, CALIFORNIA 90746
310-537-3700
800-421-1244
FAX: 310-537-3927

E-mail: mq@multiquip.com • **www:** www.multiquip.com

PARTS DEPARTMENT:

800-427-1244
FAX: 800-672-7877
SERVICE DEPARTMENT/TECHNICAL ASSISTANCE:
800-478-1244
FAX: 310-631-5032

Atlanta • Boise • Dallas • Houston • Newark
Montreal, Canada • Manchester, UK
Rio De Janeiro, Brazil • Guadalajara, Mexico



WARNING



CALIFORNIA — Proposition 65 Warning

Engine exhaust and some of its constituents, and some dust created by power sanding, sawing, grinding, drilling and other construction activities contains chemicals known to the State of California to cause cancer, birth defects and other reproductive harm. Some examples of these chemicals are:

- Lead from lead-based paints.
- Crystalline silica from bricks.
- Cement and other masonry products.
- Arsenic and chromium from chemically treated lumber.

Your risk from these exposures varies, depending on how often you do this type of work. To reduce your exposure to these chemicals: **ALWAYS** work in a well ventilated area, and work with approved safety equipment, such as dust masks that are specially designed to filter out microscopic particles.

HERE'S HOW TO GET HELP

*PLEASE HAVE THE MODEL AND SERIAL NUMBER
ON-HAND WHEN CALLING*

PARTS DEPARTMENT

800-427-1244 or 310-537-3700

FAX: 800-672-7877 or 310-637-3284

SERVICE DEPARTMENT/TECHNICAL ASSISTANCE

800-478-1244 or 310-537-3700

FAX: 310- 537-4259

WARRANTY DEPARTMENT

888-661-4279, or 310-661-4279

FAX: 310- 537-1173

MAIN

800-421-1244 or 310-537-3700

FAX: 310-537-3927

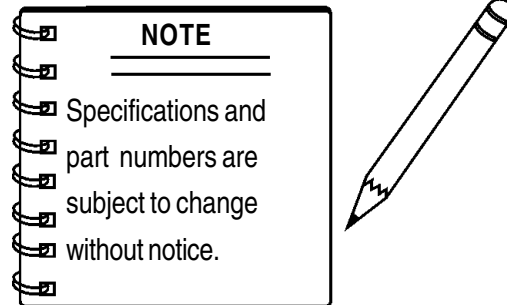
BTO RIDE-ON POWER TROWEL—TABLE OF CONTENTS

| | |
|---------------------------------|---|
| Here's How To Get Help | 3 |
| Table Of Contents | 4 |
| Parts Ordering Procedures | 5 |

MQ WHITEMAN BTO RIDE-ON POWER TROWEL

| | |
|--|-------|
| Explanation of Code In Remarks Column | 6 |
| Suggested Spare Parts | 7 |
| Engine (Vanguard) | 8-11 |
| Engine (Honda) | 12-15 |
| Drive Assembly | 16-17 |
| Steering Assembly S/N KG6645 & Below | 18-19 |
| Steering Assembly S/N KG46646 & Above | 20-21 |
| Gearbox Pivot Assembly | 22-23 |
| Gearbox Assembly | 24-27 |
| Spider and Blades Assembly | 28-29 |
| Twin Pitch Control Assembly | 30-33 |
| Electric Pitch Control Assembly | 34-37 |
| Single Pitch Control Assembly | 38-39 |
| Main Frame Assembly | 40-43 |
| Seat Frame Assembly | 44-45 |
| Lights and Retardant Spay (Options) Assy. | 46-47 |
| E-Z Mover & Lift Handle Assembly | 48-49 |
| Wiring Diagram, Vanguard | 50-51 |
| Wiring Diagram, Honda | 52-53 |

| | |
|------------------------------------|----|
| Terms and Conditions of Sale | 54 |
|------------------------------------|----|



BTO RIDE-ON POWER TROWEL— PARTS ORDERING PROCEDURES

- Dealer account number
- Dealer name and address
- Shipping address (if different than billing address)
- Return fax number
- Applicable model number
- Quantity, part number and description of each part
- Specify preferred method of shipment:
 - UPS Ground
 - UPS Second Day or Third Day*
 - UPS Next Day*
 - Federal Express Priority One (please provide us with your Federal Express account number)*
 - Airborne Express*
 - Truck or parcel post

**Normally shipped the same day the order is received, if prior to 2PM west coast time.*

Earn Extra Discounts when you order by FAX!

All parts orders which include complete part numbers and are received by fax qualify for the following extra discounts:

| <u>Number of line items ordered</u> | <u>Additional Discount</u> |
|-------------------------------------|----------------------------|
| 1-9 items | 3% |
| 10+ items** | 5% |

Get special freight allowances when you order 10 or more line items via FAX!**

- UPS Ground Service at no charge for freight
- UPS Third Day Service at one-half of actual freight cost

No other allowances on freight shipped by any other carrier.

**Common nuts, bolts and washers (all items under \$1.00 list price) do not count towards the 10+ line items.

DISCOUNTS ARE SUBJECT TO CHANGE

Fax order discount and UPS special programs revised June 1, 1995

**Extra Fax Discount
for Domestic USA
Dealers Only**

**Up to 5%
extra savings!**

**UPS
Special**
For faxed orders only

**Now! Direct TOLL-FREE access
to our Parts Department!**

Toll-free nationwide:

800-421-1244

Toll-free FAX:

800/6-PARTS-7 • 800-672-7877

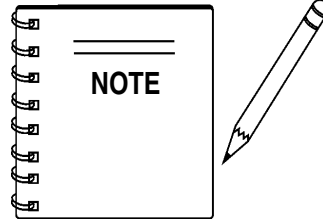
EXPLANATION OF CODE IN REMARKS COLUMN

How to read the marks and remarks used in this parts book.

Items Found In the “Remarks” Column

Serial Numbers-Where indicated, this indicates a serial number range (inclusive) where a particular part is used.

Model Number-Where indicated, this shows that the corresponding part is utilized only with this specific model number or model number variant.

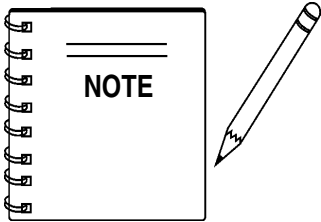


The contents of this parts catalog are subject to change without notice.

Items Found In the “Items Number” Column

All parts with same symbol in the number column, *, #, +, %, or ■, belong to the same assembly or kit.

Note: If more than one of the same reference number is listed, the last one listed indicates newest (or latest) part available.



If more than one of the same reference number is listed, the last one listed indicates newest (or latest) part available.

JTO RIDE-ON POWER TROWEL — SUGGESTED SPARE PARTS

BTO RIDE-ON POWER TROWEL (VANGUARD)

1 to 3 Units

| Qty. | P/N | Description |
|---------|----------|--------------|
| 1 | XXXXXXXX | XXXXXXXXXXXX |

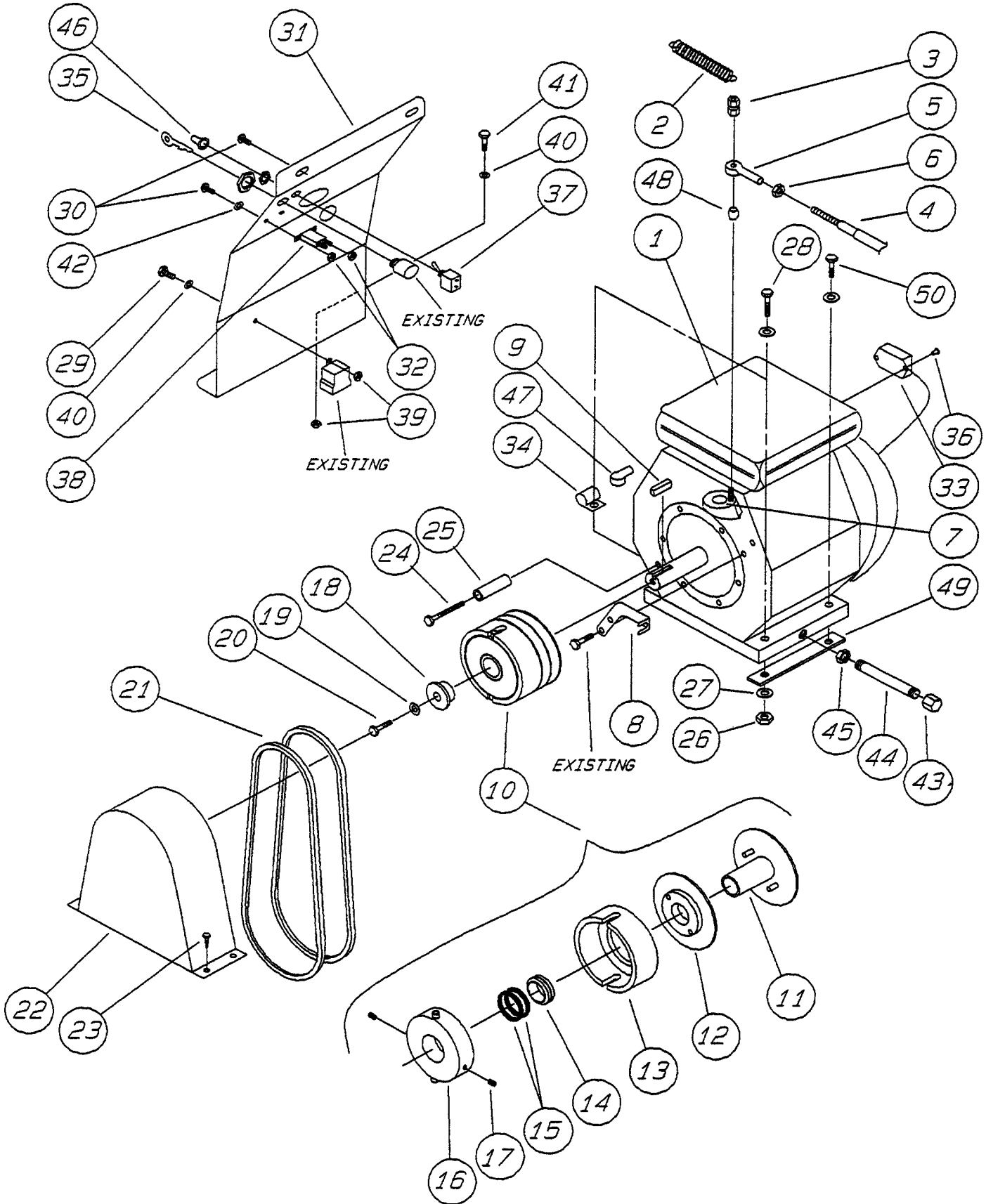
BTO RIDE-ON POWER TROWEL (HONDA)

1 to 3 Units

| Qty. | P/N | Description |
|---------|----------|--------------|
| 1 | XXXXXXXX | XXXXXXXXXXXX |

BTO RIDE-ON POWER TROWEL— VANGUARD ENGINE ASSY.

ENGINE, VANGUARD ASSY.



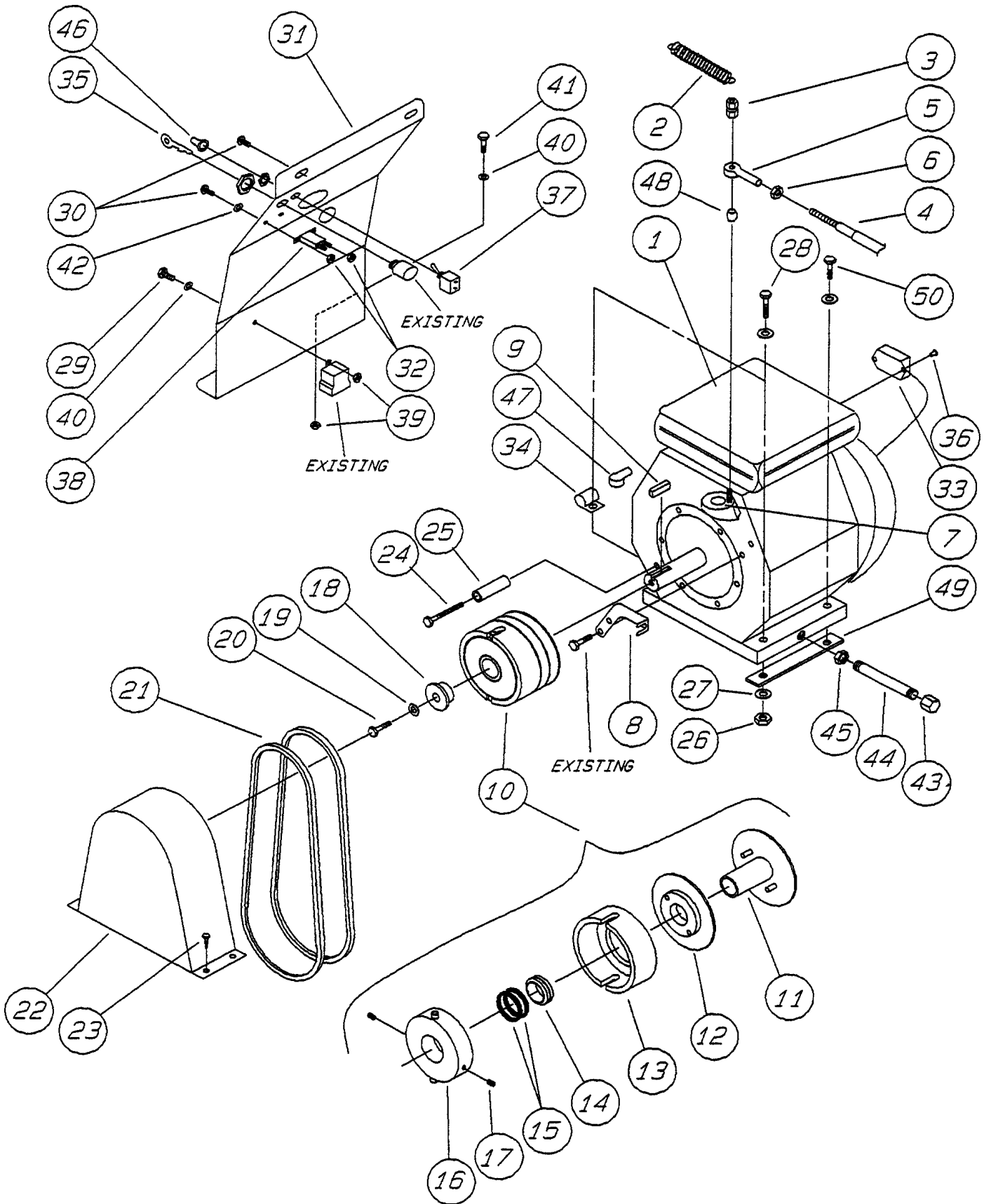
BTO RIDE-ON POWER TROWEL— VANGUARD ENGINE ASSY.

ENGINE, VANGUARD ASSY.

| <u>NO.</u> | <u>PART NO.</u> | <u>PART NAME</u> | <u>QTY.</u> | <u>REMARKS</u> |
|------------|-----------------|---------------------------------|-------------|----------------|
| 1 | | ENGINE, VANGUARD 18 HP | 1 | |
| 2 | 2192 | THROTTLE SPRING | 1 | |
| 3 | 2194 | THROTTLE NUT | 1 | |
| 4 | 2124 | THROTTLE CABLE | 1 | |
| 5 | 2153 | SPHERICAL BEARING | 1 | |
| 6 | 0937 | HEX NUT 10- 32 | 1 | |
| 7 | 2650 | GOVERNOR ASSEMBLY | 1 | |
| 8 | 2162 | THROTTLE CABLE MOUNTING BRACKET | 1 | |
| 9 | 0310 | CLUTCH KEY 1/4" X 1/4" X 1.1/2" | 1 | |
| 10 | 2516 | 4" CLUTCH ASSEMBLY 1" BORE | 1 | |
| 11 | 1882 | CLUTCH SPINDLE | 1 | |
| 12 | 1886 | CLUTCH PULLEY | 1 | |
| 13 | 2504 | CLUTCH BOWL | 1 | |
| 14 | 2451 | CLUTCH WEIGHT | 4 | |
| 15 | 2450 | WEIGHT SPRING | 2 | |
| 16 | 2506 | CLUTCH PLATE (WITH ROLLERS) | 1 | |
| 17 | 1893 | SHSS 3/8"- 24 X 5/8" | 2 | |
| 18 | 9123 | CLUTCH RETAINER | 1 | |
| 19 | 0166A | LOCK WASHER 3/8" | 1 | |
| 20 | 0478 | HHCS 3/8"- 24 X 2.1/4" | 1 | |
| 21 | 11064 | DRIVE BELT A- 36 | 2 | |
| 22 | 2134 | BELT GUARD | 1 | |
| 23 | 1273 | HHSTS 8- 32 X 3/8" | 4 | |
| 24 | 0169 | HHCS 3/8"- 16 X 3" | 1 | |
| 25 | 2257 | BELT GUIDE | 1 | |
| 26 | 5283 | LOCK NUT 5/16- 18 | 4 | |
| 27 | 0300B | FLAT WASHER 5/16" | 8 | |
| 28 | 0669A | HHCS 5/16"- 18 X 2.1/4" | 2 | |
| 29 | 0131A | HHCS 1/4"- 20 X 3/4" | 2 | |
| 30 | 5065B | RHMS 10- 32 X 1/2" | 4 | |
| 31 | 2590 | FRONT HEAT SHIELD | 1 | |
| 32 | 10019 | LOCK NUT 10- 32 | 4 | |
| 33 | 2655 | HOUR METER | 1 | |
| 34 | 8126 | HOSE CLAMP | 1 | |
| 35 | 11078 | IGNITION KEY | 1 | |
| 36 | 8239 | RIVET | 2 | |
| 37 | 4682 | TOGGLE SWITCH | 1 | OPTIONAL |
| 38 | 2673 | CIRCUIT BREAKER | 1 | |
| 39 | 10024 | LOCK NUT 1/4"- 20 | 4 | |
| 40 | 0948 | FLAT WASHER 1/4" | 4 | |
| 41 | 4514 | HHCS 1/4"- 20 X 5/8" | 2 | |
| 42 | 2203 | FLAT WASHER #10 | 2 | |
| 43 | 10491 | PIPE CAP | 1 | |
| 44 | 10489 | PIPE NIPPLE | 1 | |
| 45 | 10490 | LOCK NUT 3/8" NPT | 1 | |
| 46 | 8381 | TOGGLE BOOT | 1 | |

BTO RIDE-ON POWER TROWEL— VANGUARD ENGINE ASSY.

ENGINE, VANGUARD ASSY.



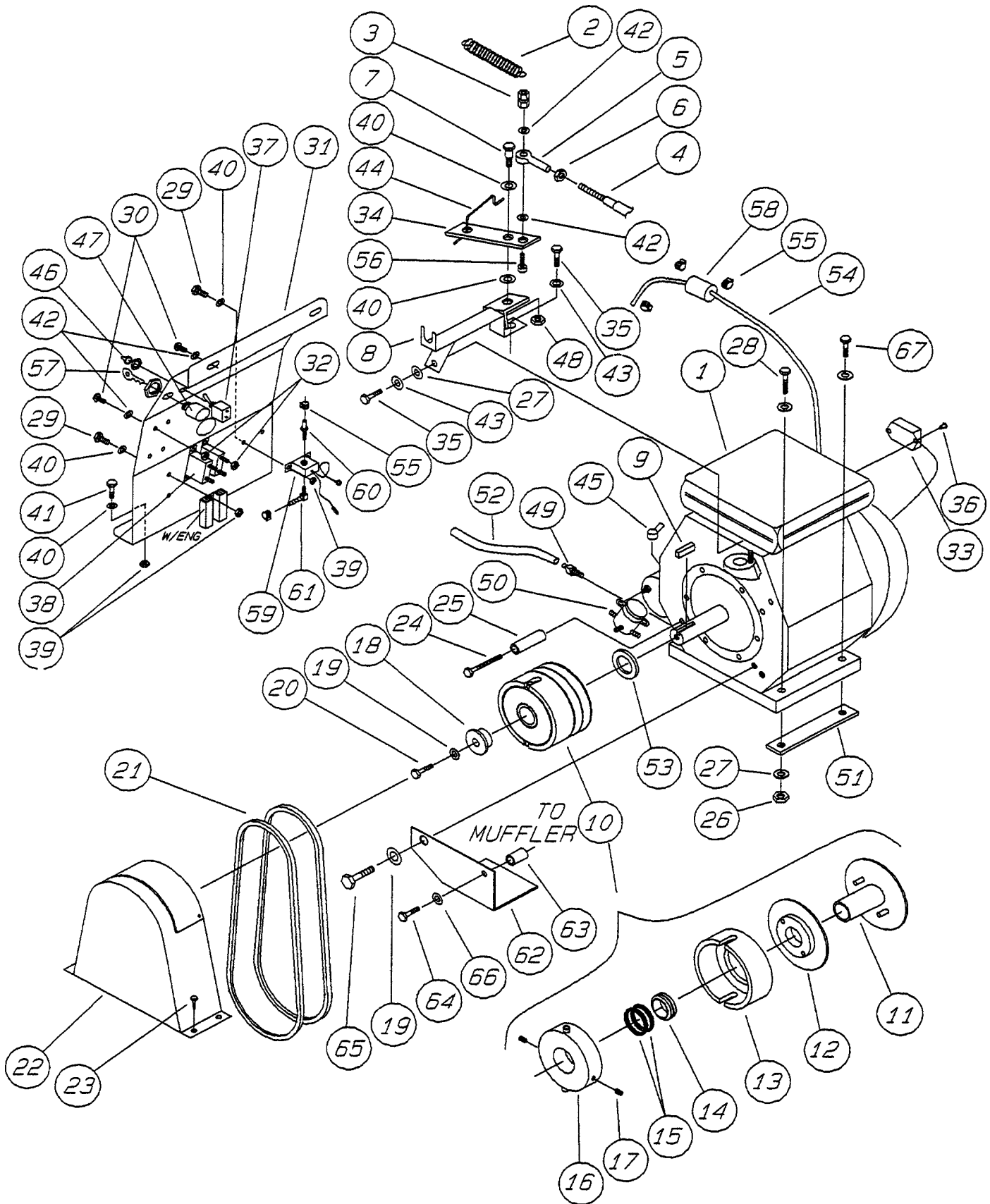
BTO RIDE-ON POWER TROWEL— VANGUARD ENGINE ASSY.

ENGINE, VANGUARD ASSY.

| <u>NO.</u> | <u>PART NO.</u> | <u>PART NAME</u> | <u>QTY.</u> | <u>REMARKS</u> |
|------------|-----------------|---------------------|-------------|----------------|
| 47 | 2762 | TERMINAL BOOT | 3 | |
| 48 | 2190 | SPACER | 1 | |
| 49 | 10984 | SPACER | 2 | |
| 50 | 0300A | HHCS 5/16"- 18 X 2" | 2 | |

BTO RIDE-ON POWER TROWEL— HONDA ENGINE ASSY.

ENGINE, HONDA ASSY.



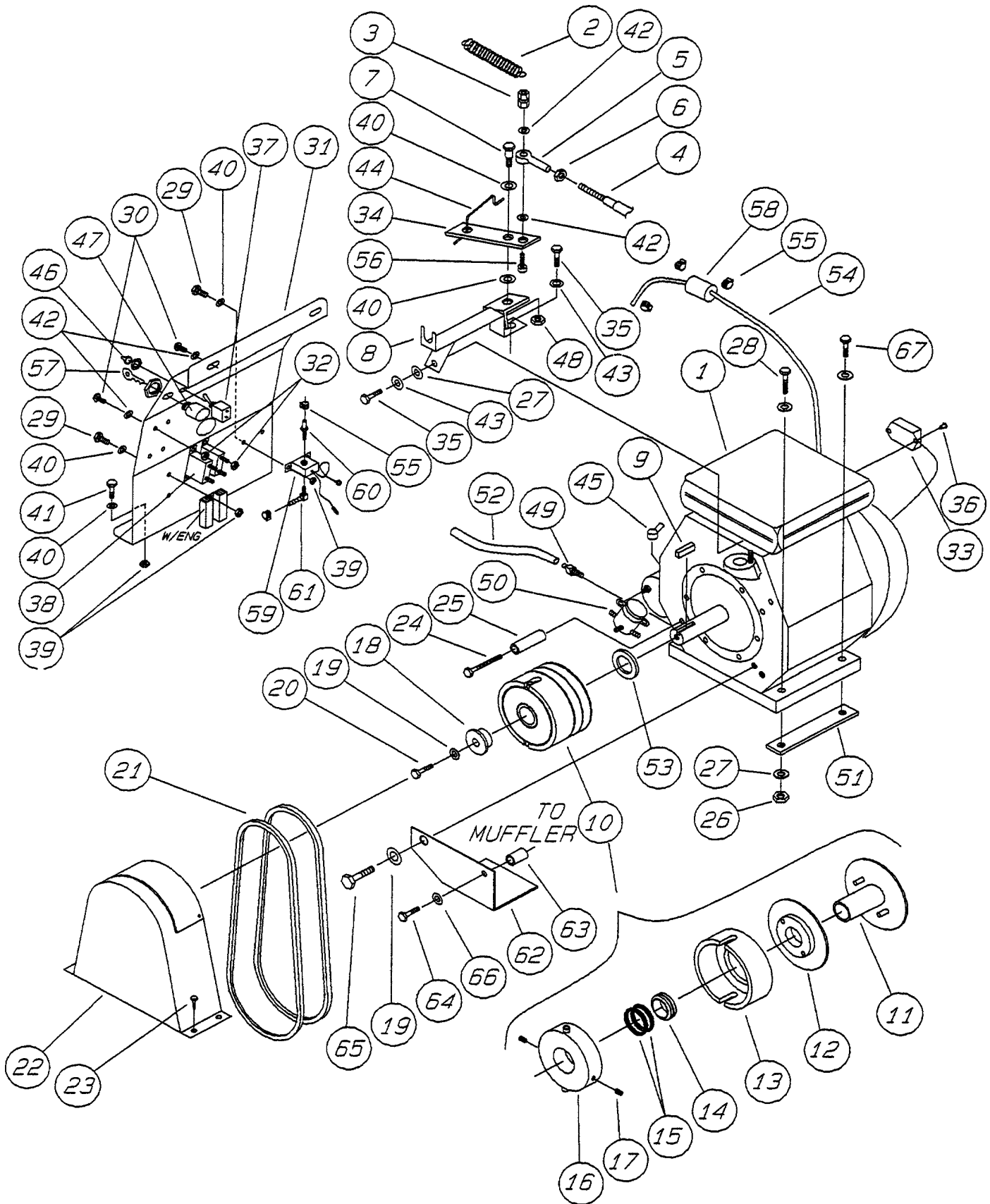
BTO RIDE-ON POWER TROWEL— HONDA ENGINE ASSY.

ENGINE, HONDA ASSY.

| <u>NO.</u> | <u>PART NO.</u> | <u>PART NAME</u> | <u>QTY.</u> | <u>REMARKS</u> |
|------------|-----------------|---------------------------------|-------------|----------------|
| 1 | | ENGINE, HONDA 20 HP | 1 | |
| 2 | 2192 | THROTTLE SPRING | 1 | |
| 3 | 2194 | THROTTLE NUT | 1 | |
| 4 | 10568 | THROTTLE CABLE | 1 | |
| 5 | 2153 | SPHERICAL BEARING | 1 | |
| 6 | 0937 | HEX NUT 10- 32 | 1 | |
| 7 | 10990 | SHOULDER BOLT | 1 | |
| 8 | 10964 | THROTTLE CABLE MOUNTING BRACKET | 1 | |
| 9 | 0310 | SQUARE KEY 1/4" X 1/4" X 1.1/2" | 1 | |
| 10 | 2516 | 4" CLUTCH ASSEMBLY 1" BORE | 1 | |
| 11 | 1882 | CLUTCH SPINDLE | 1 | |
| 12 | 1886 | CLUTCH PULLEY ASSEMBLY | 1 | |
| 13 | 2504 | CLUTCH BOWL ASSEMBLY | 1 | |
| 14 | 2939 | CLUTCH WEIGHT SET | 1 | |
| 15 | 2450 | WEIGHT SPRING | 2 | |
| 16 | 2506 | CLUTCH PLATE (WITH ROLLERS) | 1 | |
| 17 | 1893 | SHSS 3/8"- 24 X 5/8" | 2 | |
| 18 | 9123 | CLUTCH RETAINER | 1 | |
| 19 | 0166A | LOCK WASHER 3/8" | 2 | |
| 20 | 2667 | HHCS 3/8"- 24 X 2.1/2" | 1 | |
| 21 | 11064 | DRIVE BELT A- 36 | 2 | |
| 22 | 11114 | BELT GUARD | 1 | |
| 23 | 1273 | HHSTS 8- 32 X 3/8" | 4 | |
| 24 | 0169 | HHCS 3/8"- 16 X 3" | 1 | |
| 25 | 2257 | BELT GUIDE | 1 | |
| 26 | 5283 | LOCK NUT 5/16- 18 | 4 | |
| 27 | 0300B | FLAT WASHER 5/16" | 9 | |
| 28 | 0669A | HHCS 5/16"- 18 X 2.1/4" | 2 | |
| 29 | 0730 | HHCS 1/4"- 20 X 1" | 4 | |
| 30 | 5065B | RHMS 10- 32 X 1/2" | 6 | |
| 31 | 10927 | CONTROL PANEL | 1 | |
| 32 | 10019 | LOCK NUT 10- 32 | 8 | |
| 33 | 2655 | HOUR METER | 1 | |
| 34 | 10954 | THROTTLE LEVER | 1 | |
| 35 | 2299 | HHCS M8- 1.25 X 15MM | 2 | |
| 36 | 8239 | RIVET | 2 | |
| 37 | 4682 | LIGHT SWITCH | 1 | OPTIONAL |
| 38 | 2673 | CIRCUIT BREAKER | 2 | |
| 39 | 10024 | LOCK NUT 1/4"- 20 | 6 | |
| 40 | 0948 | FLAT WASHER 1/4" | 8 | |
| 41 | 4514 | HHCS 1/4"- 20 X 5/8" | 2 | |
| 42 | 2203 | FLAT WASHER #10 | 8 | |
| 43 | 0161C | LOCK WASHER 5/16" | 2 | |
| 44 | 10955 | THROTTLE WIRE | 1 | |
| 45 | 2762 | TERMINAL BOOT | 1 | |
| 46 | 8381 | TOGGLE BOOT | 1 | |

BTO RIDE-ON POWER TROWEL— HONDA ENGINE ASSY.

ENGINE, HONDA ASSY.



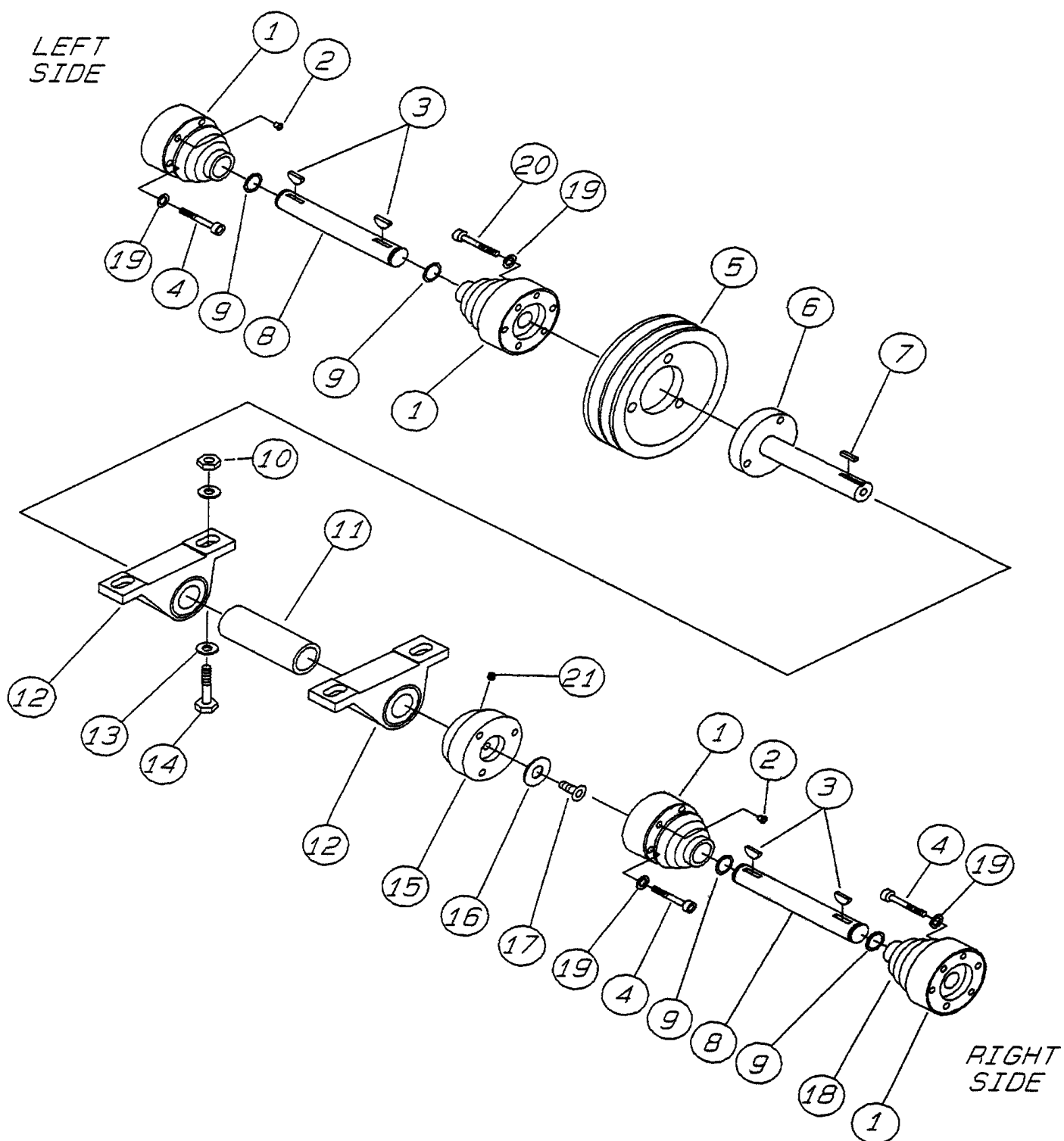
BTO RIDE-ON POWER TROWEL— HONDA ENGINE ASSY.

ENGINE, HONDA ASSY.

| <u>NO.</u> | <u>PART NO.</u> | <u>PART NAME</u> | <u>QTY.</u> | <u>REMARKS</u> |
|------------|-----------------|-----------------------|-------------|----------------|
| 47 | 10958 | IGNITION SWITCH W/KEY | 1 | |
| 48 | 1618 | LOCK NUT 10- 24 | 1 | |
| 49 | 10963 | OIL DRAIN VALVE | 1 | |
| 50 | 2207 | SOLENOID | 1 | |
| 51 | 10984 | ENGINE SPACER | 2 | |
| 52 | 10987 | OIL DRAIN HOSE | 1 | |
| 53 | 10948 | SPACER | 1 | |
| 54 | 10962 | FUEL HOSE | 1 | |
| 55 | 19473 | HOSE CLAMP | 6 | |
| 56 | 10018 | SHCS 10- 32 X 1" | 1 | |
| 57 | 11078 | IGNITION KEY | 1 | |
| 58 | 2346 | FUEL FILTER | 1 | |
| 59 | 11099 | FUEL PUMP | 1 | |
| 60 | 11100 | STR. FITTING | 1 | |
| 61 | 11101 | 90 DEGREE ELBOW | 1 | |
| 62 | 11339 | HEAT SHIELD | 1 | |
| 63 | 11342 | SPACER | 1 | |
| 64 | 10790 | HHCS 6MM X 30MM | 1 | |
| 65 | 4196 | HHCS 3/8"- 16 X 3/4" | 1 | |
| 66 | 0181B | LOCK WASHER 1/4" | 1 | |
| 67 | 0300A | HHCS 5/16- 18 X 2" | 2 | |

BTO RIDE-ON POWER TROWEL— DRIVE ASSY.

DRIVE ASSY.



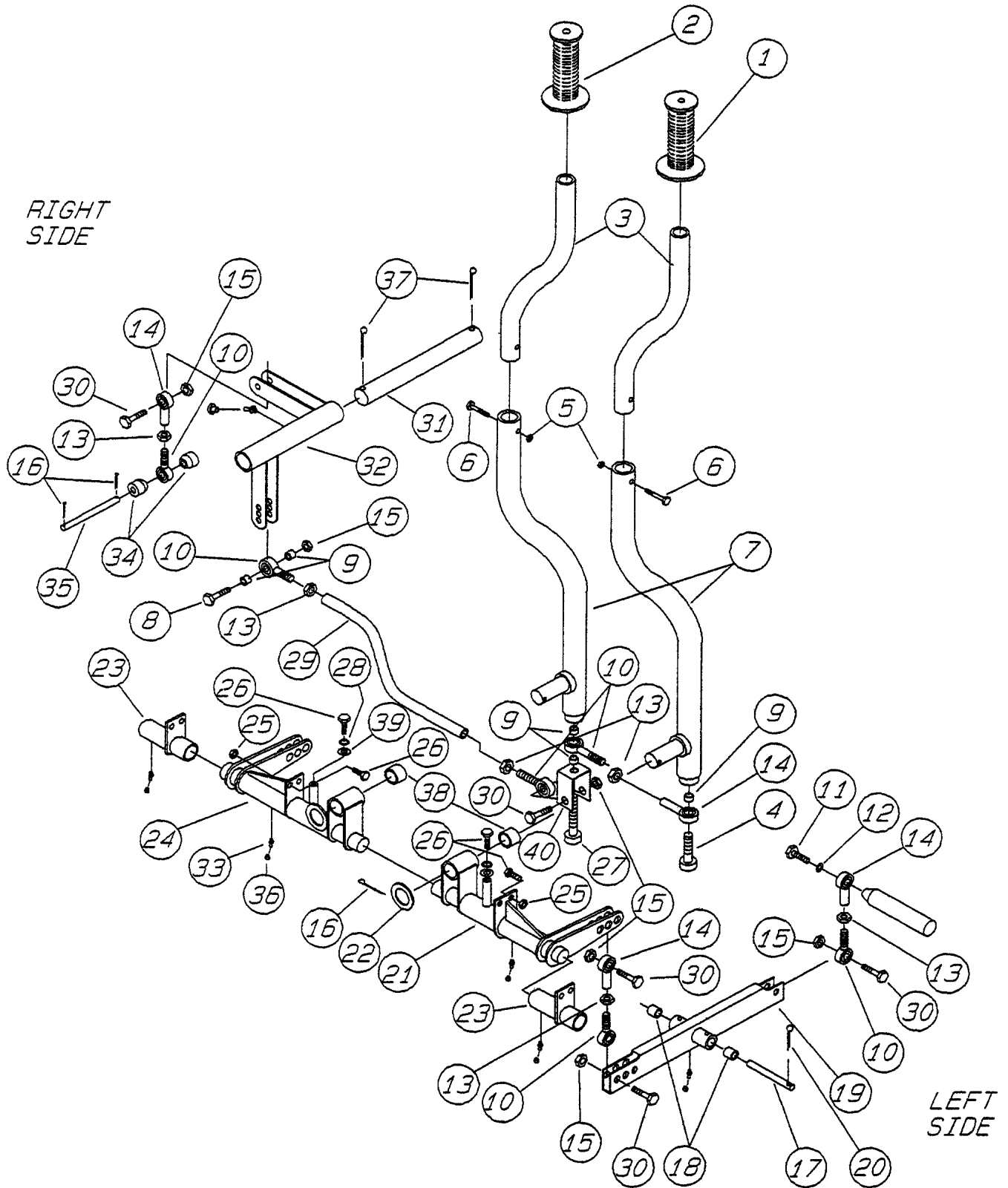
BTO RIDE-ON POWER TROWEL— DRIVE ASSY.

DRIVE ASSY.

| <u>NO.</u> | <u>PART NO.</u> | <u>PART NAME</u> | <u>QTY.</u> | <u>REMARKS</u> |
|------------|-----------------|------------------------------------|-------------|----------------|
| 1 | 2052 | C.V. JOINT | 4 | |
| 2 | 2218 | PLUG | 12 | |
| 3 | 0126 | WOODRUFF KEY #9 | 4 | |
| 4 | 2186 | SHCS 5/16"- 18 X 2.1/4" | 9 | |
| 5 | 11047 | PULLEY (5.62" O.D.) | 1 | |
| 6 | 2129 | BEARING SHAFT | 1 | |
| 7 | 2126 | KEY 3/16 X 3/16 X 13/16" | 1 | |
| 8 | 2043 | DRIVE SHAFT | 2 | |
| 9 | 2090 | SNAP RING | 4 | |
| 10 | 10133 | LOCK NUT 3/8" | 4 | |
| 11 | 10514 | SPACER | 1 | |
| 12 | 10337 | PILLOW BLOCK BEARING | 2 | |
| 13 | 10136 | FLAT WASHER 3/8" | 8 | |
| 14 | 1284 | HHCS 3/8"- 16 X 1.1/2" | 4 | |
| 15 | 2029 | COUPLER 1" I.D. | 1 | |
| 16 | 2037 | RETAINING WASHER | 1 | |
| 17 | 1146 | FHSCS 5/16"- 18 X 1" | 1 | |
| 18 | 2259 | C.V. JOINT BOOT (REPAACEMENT ONLY) | | |
| 19 | 0161C | FLAT WASHER 5/16" | 12 | |
| 20 | 2187 | SHCS 5/16"- 18 X 2.1/2" | 3 | |
| 21 | 10138 | SHSS 1/4"- 20 X 1/2" | 1 | |

BTO RIDE-ON POWER TROWEL— STEERING ASSY. S/N KG46645 & BELOW

STEERING ASSY S/N KB46645 & BELOW



BTO RIDE-ON POWER TROWEL— STEERING ASSY. S/N KG46645 & BELOW

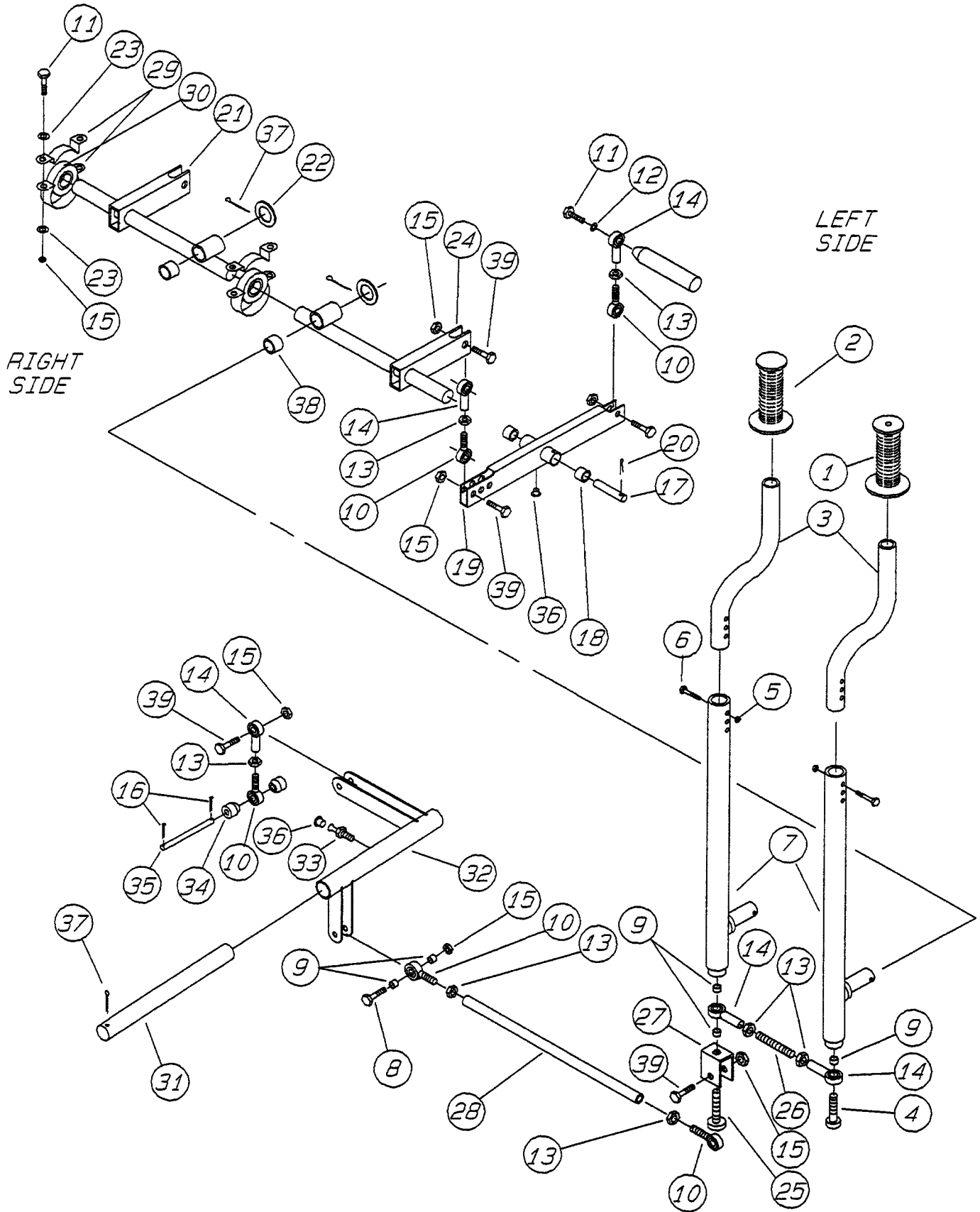
STEERING ASSY S/N KB46645 & BELOW

| <u>NO.</u> | <u>PART NO.</u> | <u>PART NAME</u> | <u>QTY.</u> | <u>REMARKS</u> |
|------------|-----------------|------------------------------|-------------|------------------------|
| 1 | 0189 | LEFT SIDE HAND GRIP | 1 | NO OPTIONS |
| 1 | 2267 | LEFT SIDE HAND GRIP | 1 | RETARDANT SPRAY OPTION |
| 2 | 0189 | RIGHT SIDE HAND GRIP | 1 | |
| 3 | 10130 | HANDLE EXTENSIONS | 2 | |
| 4 | 11090 | SHCS 3/8"- 16 X 1.1/4" | 1 | |
| 5 | 2197 | ACORN NUT 1/4"- 20 | 2 | |
| 6 | 0424 | HHCS 1/4"- 20 X 1.1/4" | 2 | |
| 7 | 11079 | LOWER HANDLE | 2 | |
| 8 | 1665 | HHCS 3/8"- 16 X 2" | 1 | |
| 9 | 2196 | SPACER | 5 | |
| 10 | 2063 | SPHERICAL BEARING | 8 | RIGHT HAND MALE |
| 11 | 1023 | HHCS 3/8"- 16 X 1.1/4" | 2 | |
| 12 | 0166A | LOCK WASHER 3/8" | 2 | |
| 13 | 2199 | JAM NUT 3/8"- 24 | 8 | |
| 14 | 2064 | SPHERICAL BEARING | 6 | RIGHT HAND FEMALE |
| 15 | 10133 | LOCK NUT 3/8"- 16 | 9 | |
| 16 | 0183 | COTTER PIN | 4 | |
| 17 | 11275 | PIN | 2 | |
| 18 | 11072 | BEARING | 4 | |
| 19 | 11071 | STEERING CONTROL LEVER | 2 | WITH BEARING |
| 20 | 3216 | COTTER KEY | 2 | |
| 21 | 10605 | LEFT SIDE STEERING ASSEMBLY | 1 | |
| 22 | 11265 | FLAT WASHER | 2 | |
| 23 | 10603 | BOSS & SUPPORT | 2 | |
| 24 | 10606 | RIGHT SIDE STEERING ASSEMBLY | 1 | |
| 25 | 5283 | LOCK NUT 5/16"- 18 | 8 | |
| 26 | 0655 | HHCS 5/16"-18 X 3/4" | 10 | |
| 27 | 11089 | SHCS 3/8"- 16 X 2" | 1 | |
| 28 | 0161C | LOCK WASHER 5/16" | 2 | |
| 29 | 11086 | LINKAGE ROD | 1 | |
| 30 | 1284 | HHCS 3/8"- 16 X 1.1/2" | 8 | |
| 31 | 2080 | RIGHT/LEFT MOTION SHAFT | 1 | |
| 32 | 2036 | RIGHT/LEFT MOTION ARM | 1 | |
| 33 | 5228 | GREASE FITTING | 7 | |
| 34 | 2188 | SPACER | 2 | |
| 35 | 3550 | ADAPTER PLATE PIN | 1 | |
| 36 | 1162A | LUBRA- CAP | 5 | |
| 37 | 2219 | COTTER PIN | 2 | |
| 38 | 2168 | BUSHING | 4 | |
| 39 | 0300B | FLAT WASHER 5/16" | 2 | |
| 40 | 11303 | BRACKET | 1 | |

S.N. KG46645 AND BELOW

BTO RIDE-ON POWER TROWEL— STEERING ASSY. S/N KG46646 & ABOVE

STEERING ASSY S/N KB46646 & ABOVE



BTO RIDE-ON POWER TROWEL— STEERING ASSY. S/N KG46646 & ABOVE

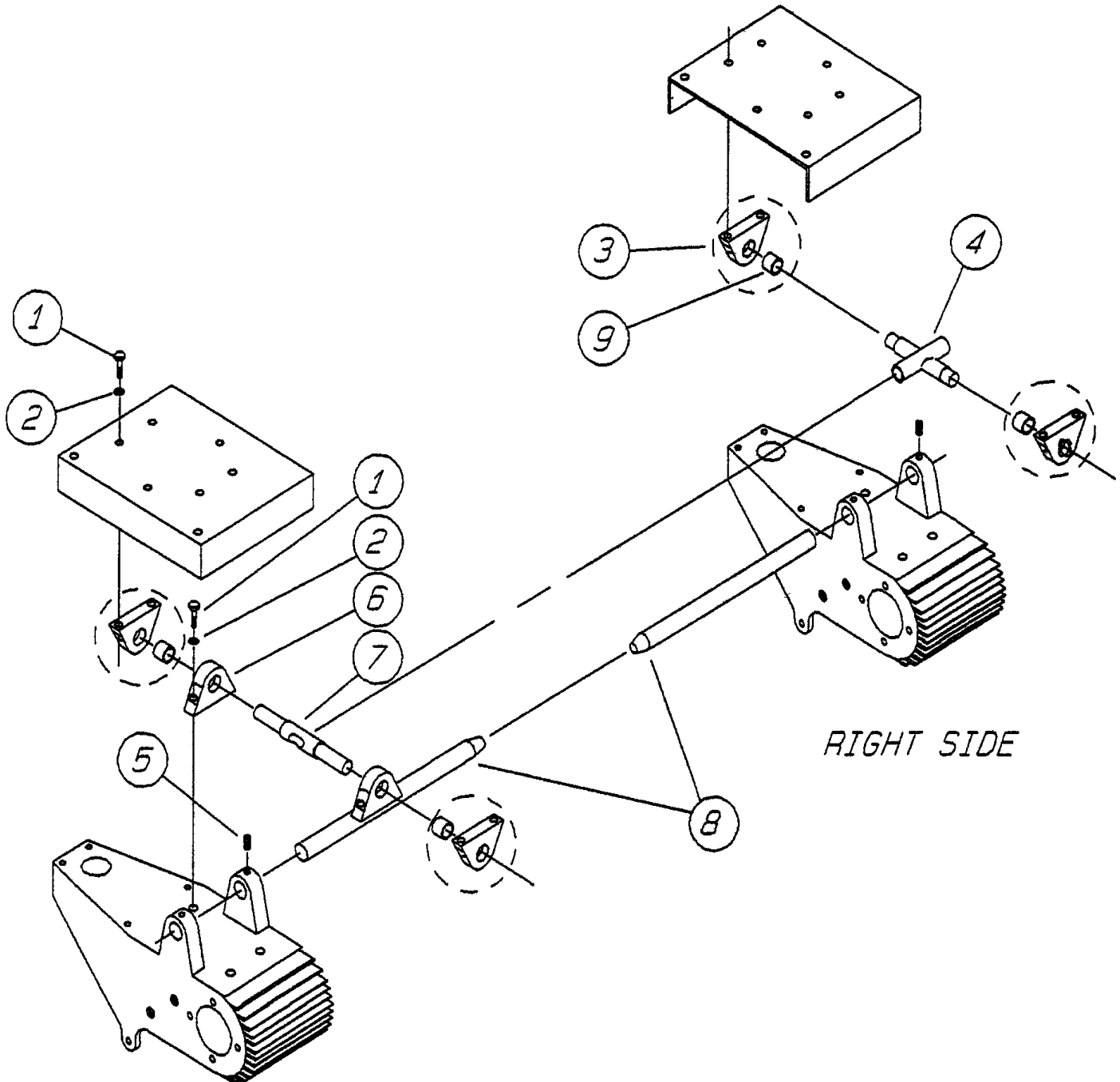
STEERING ASSY S/N KB46646 & ABOVE

| <u>NO.</u> | <u>PART NO.</u> | <u>PART NAME</u> | <u>QTY.</u> | <u>REMARKS</u> |
|------------|-----------------|------------------------------|-------------|------------------------|
| 1 | 0189 | LEFT SIDE HAND GRIP | 1 | NO OPTIONS |
| 1 | 2267 | LEFT SIDE HAND GRIP | 1 | RETARDANT SPRAY OPTION |
| 2 | 2267 | RIGHT SIDE HAND GRIP | 1 | |
| 3 | 10130 | HANDLE EXTENSIONS | 2 | |
| 4 | 11090 | SHCS 3/8"- 16 X 1.1/4" | 1 | |
| 5 | 2197 | ACORN NUT 1/4"- 20 | 2 | |
| 6 | 0424 | HHCS 1/4"- 20 X 1.1/4" | 2 | |
| 7 | 11079 | HANDLE | 2 | |
| 8 | 1665 | HHCS 3/8"- 16 X 2" | 1 | |
| 9 | 2196 | SPACER | 5 | |
| 10 | 2063 | SPHERICAL BEARING | 7 | RIGHT HAND MALE |
| 11 | 1023 | HHCS 3/8"- 16 X 1.1/4" | 10 | |
| 12 | 0166A | LOCK WASHER 3/8" | 2 | |
| 13 | 2199 | JAM NUT 3/8"- 24 | 9 | |
| 14 | 2064 | SPHERICAL BEARING | 7 | RIGHT HAND FEMALE |
| 15 | 10133 | LOCK NUT 3/8"- 16 | 17 | |
| 16 | 0183 | COTTER PIN | 2 | |
| 17 | 11275 | PIN | 2 | |
| 18 | 11072 | BEARING | 4 | |
| 19 | 11071 | STEERING CONTROL LEVER | 2 | |
| 20 | 6014B | COTTER PIN | 2 | |
| 21 | 11527 | LEFT SIDE STEERING ASSEMBLY | 1 | |
| 22 | 11265 | FLAT WASHER 3/4" | 2 | |
| 23 | 10136 | FLAT WASHER 3/8" | 16 | |
| 24 | 11528 | RIGHT SIDE STEERING ASSEMBLY | 1 | |
| 25 | 11089 | SHCS 3/8"- 16 X 2" | 1 | |
| 26 | 11498 | LINKAGE ROD | 1 | |
| 27 | 11303 | BRACKET | 1 | |
| 28 | 11304 | LINKAGE ROD | 1 | |
| 29 | 11138 | BEARING HOUSING | 4 | |
| 30 | 11149 | BEARING | 4 | |
| 31 | 11497 | RIGHT/LEFT MOTION SHAFT | 1 | |
| 32 | 11441 | RIGHT/LEFT MOTION ARM | 1 | |
| 33 | 5228 | GREASE FITTING | 1 | |
| 34 | 2188 | SPACER | 2 | |
| 35 | 3550 | ADAPTER PLATE PIN | 1 | |
| 36 | 1162A | LUBRA- CAP | 3 | |
| 37 | 2219 | COTTER PIN | 3 | |
| 38 | 2168 | BUSHING | 4 | |
| 39 | 1284 | HHCS 3/8"- 16 X 1.1/2" | 8 | |

S.N. KG46646 AND ABOVE

BTO RIDE-ON POWER TROWEL— GEARBOX PIVOT ASSY.

GEARBOX PIVOT ASSY.



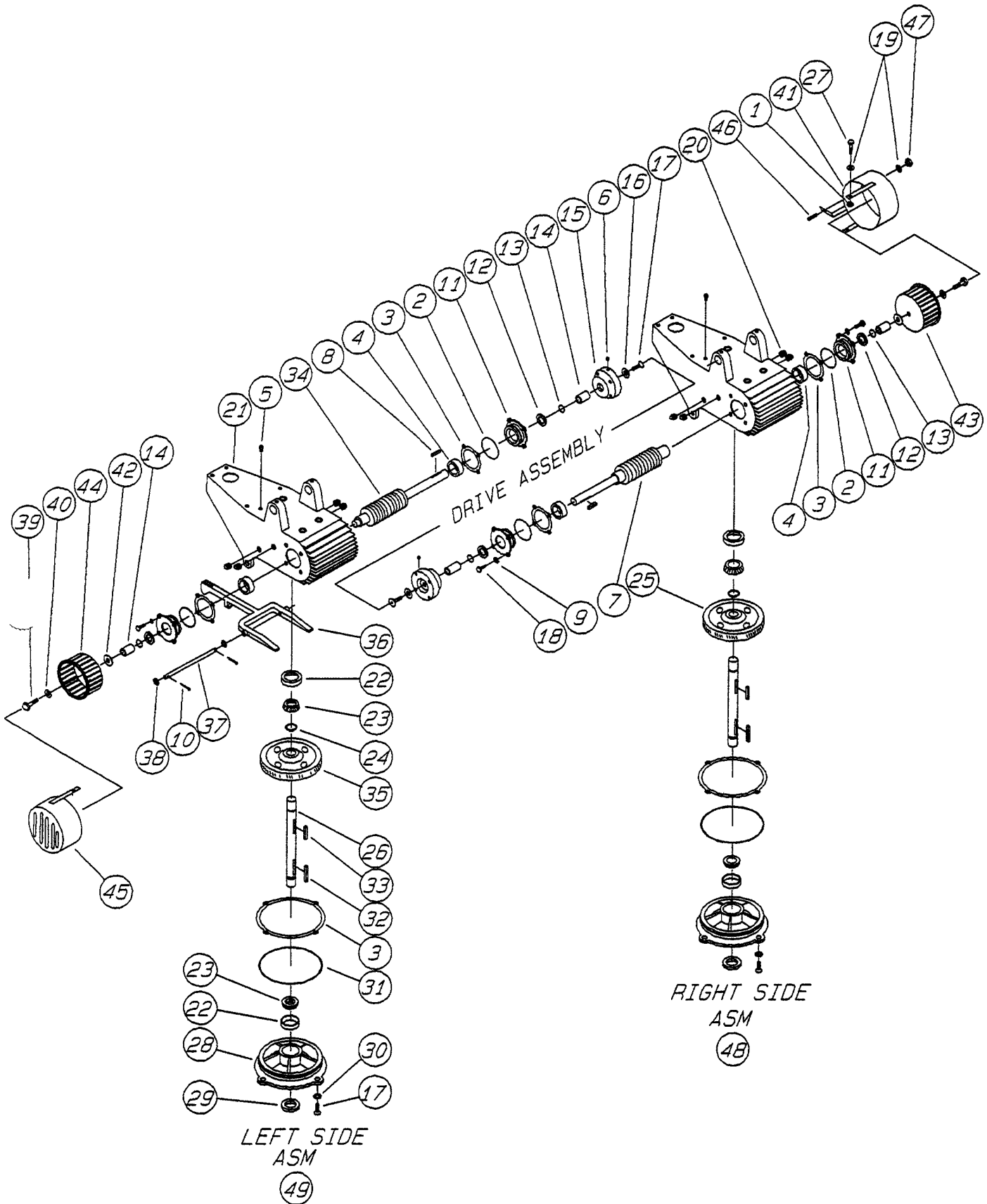
BTO RIDE-ON POWER TROWEL— GEARBOX PIVOT ASSY.

GEARBOX PIVOT ASSY.

| <u>NO.</u> | <u>PART NO.</u> | <u>PART NAME</u> | <u>QTY.</u> | <u>REMARKS</u> |
|------------|-----------------|---|-------------|------------------|
| 1 | 1023 | HHCS 3/8"- 16 X 1.1/4" | 12 | |
| 2 | 0166A | LOCK WASHER 3/8" | 12 | |
| 3 | 2079 | ROCKER BLOCK ASSEMBLY | 4 | INCLUDING ITEM 9 |
| 4 | 2044 | PIVOT ARM ASSEMBLY | 1 | |
| 5 | 10138 | SHSS 1/4"- 20 X 1/2" | 4 | |
| 6 | 10973 | ROCKER BLOCK | 2 | |
| 7 | 2076 | PIVOT SHAFT | 1 | |
| 8 | 2111 | CONTROL PIVOT ARM | 2 | |
| 9 | 2088 | BUSHING (AFTER PRESSING BUSHING INTO ROCKER BLOCK, REAM TO .752+.001/- .000 | | |

BTO RIDE-ON POWER TROWEL— GEARBOX ASSY.

GEARBOX ASSY.



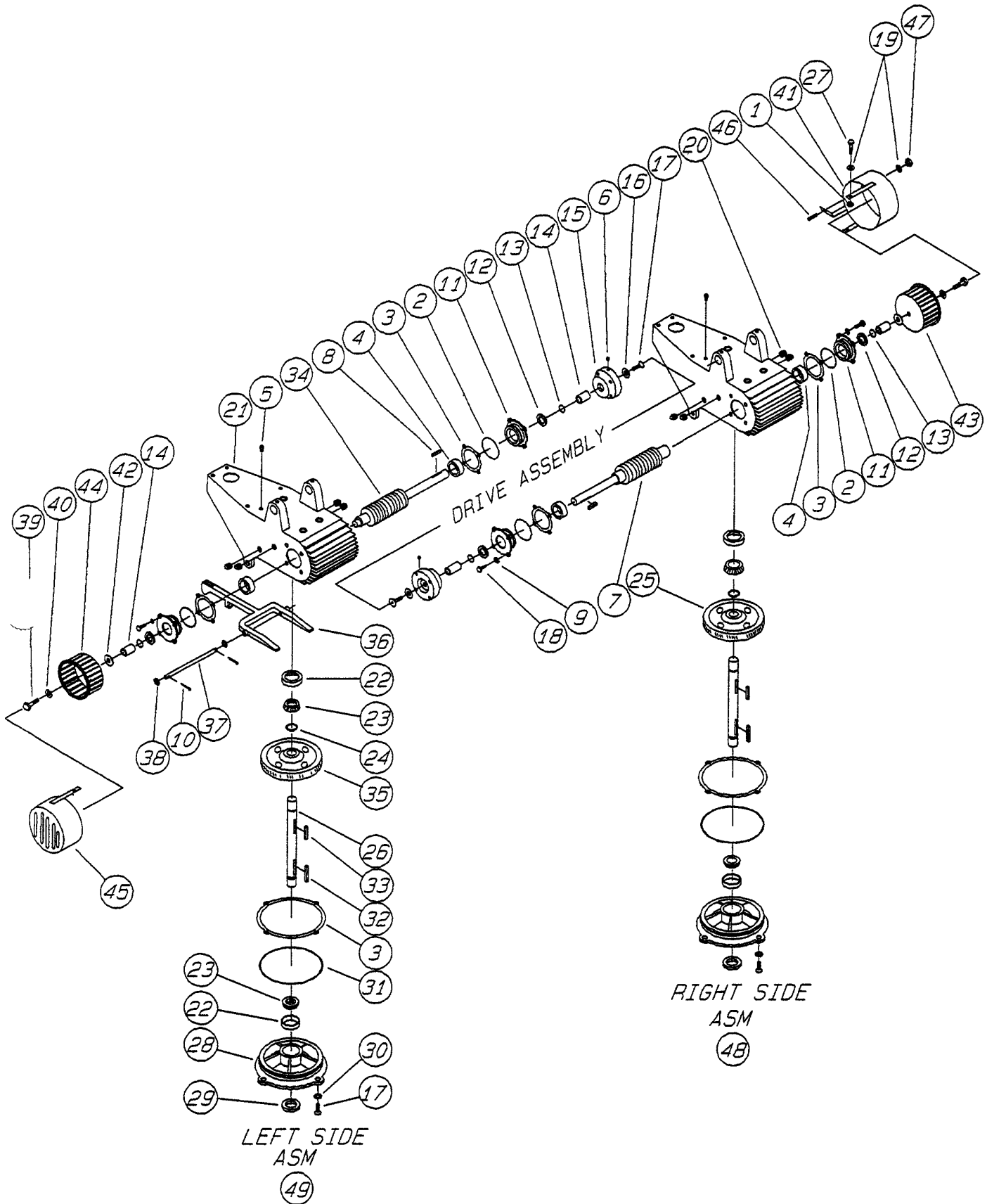
BTO RIDE-ON POWER TROWEL— GEARBOX ASSY.

GEARBOX ASSY.

| <u>NO.</u> | <u>PART NO.</u> | <u>PART NAME</u> | <u>QTY.</u> | <u>REMARKS</u> |
|------------|-----------------|-------------------------------------|-------------|----------------|
| 1 | 0937 | HEX NUT 10- 32 | 2 | |
| 2 | 2308 | O- RING (INCLUDED IN ITEM 3) | 4 | |
| 3 | 2633 | GASKET KIT | | TO KC44134 |
| 3 | 11426 | GASKET KIT | | FROM KC44135 |
| 4 | 10501 | BEARING | 4 | TO KC44134 |
| 4 | 11318 | BEARING | 4 | FROM KC44135 |
| 5 | 1132 | AIR VENT | 2 | |
| 6 | 10138 | SHSS 1/4"- 20 X 1/2" | 2 | |
| 7 | 10876 | RIGHT SIDE WORM | 1 | TO KC44134 |
| 7 | 11231 | RIGHT SIDE WORM | 1 | FROM KC44135 |
| 8 | 2126 | KEY 3/16" X 3/16 X 3/16" | 2 | |
| 9 | 10031 | EXT. LOCK WASHER 1/4" | 16 | |
| 10 | 0683 | COTTER PIN | 4 | |
| 11 | 10498 | FLANGE | 4 | |
| 12 | 10460 | OIL SEAL (INCLUDED IN ITEM 3) | 4 | TO KC44134 |
| 12 | 11417 | OIL SEAL (INCLUDED IN ITEM 3) | 4 | FROM KC44135 |
| 13 | 2115 | O- RING | 4 | TO KC44134 |
| 14 | 10497 | SPACER | 4 | FROM KC44135 |
| 15 | 2030 | COUPLER | 2 | |
| 16 | 2037 | RETAINING WASHER | 2 | |
| 17 | 1146 | FHSCS 5/16"- 18 X 1" | 10 | |
| 18 | 2295 | HHCS 1/4"- 20 X 7/8" | 16 | |
| 19 | 2203 | FLAT WASHER #10 | 6 | |
| 20 | 0121A | PLUG | 8 | |
| 21 | 10800 | GEARBOX | 2 | |
| 22 | 0232A | BEARING CUP | 4 | |
| 23 | 0232 | BEARING CONE | 4 | |
| 24 | 1138 | RETAINING RING | 2 | |
| 25 | 2249 | RIGHT SIDE WORM GEAR (BRONZE) | 1 | |
| 26 | 2231 | MAINSHAFT | 2 | |
| 27 | 5065B | RHMS 10- 32 X 1/2" | 4 | |
| 28 | 1145 | COVER PLATE | 2 | |
| 29 | 10461 | SEAL (INCLUDED IN ITEM 3) | 2 | |
| 30 | 10235 | INT. LOCK WASHER 5/16" | 8 | |
| 31 | 1143 | O- RING (INCLUDED IN ITEM 3) | 2 | |
| 32 | 1141 | KEY 5/16 X 5/16 X 2.5/8" | 2 | |
| 33 | 2229 | KEY 5/16 X 5/16 X 1.7/16" | 2 | |
| 34 | 10877 | LEFT SIDE WORM | 1 | TO KC44134 |
| 34 | 11232 | LEFT SIDE WORM | 1 | FROM KC44135 |
| 35 | 2250 | LEFT SIDE WORM GEAR (BRONZE) | 1 | |
| 36 | 1150 | YOKE ARM | 2 | |
| 37 | 1151 | YOKE PIN | 2 | |
| 38 | 10136 | FLAT WASHER 3/8" | 4 | |
| 39 | 0424 | HHCS 1/4"- 20 X 1.1/4" | 2 | |
| 40 | 0948 | FLAT WASHER 1/4" | 2 | |
| 41 | 10890 | RIGHT SIDE FAN COVER | 1 | |

BTO RIDE-ON POWER TROWEL— GEARBOX ASSY.

GEARBOX ASSY.



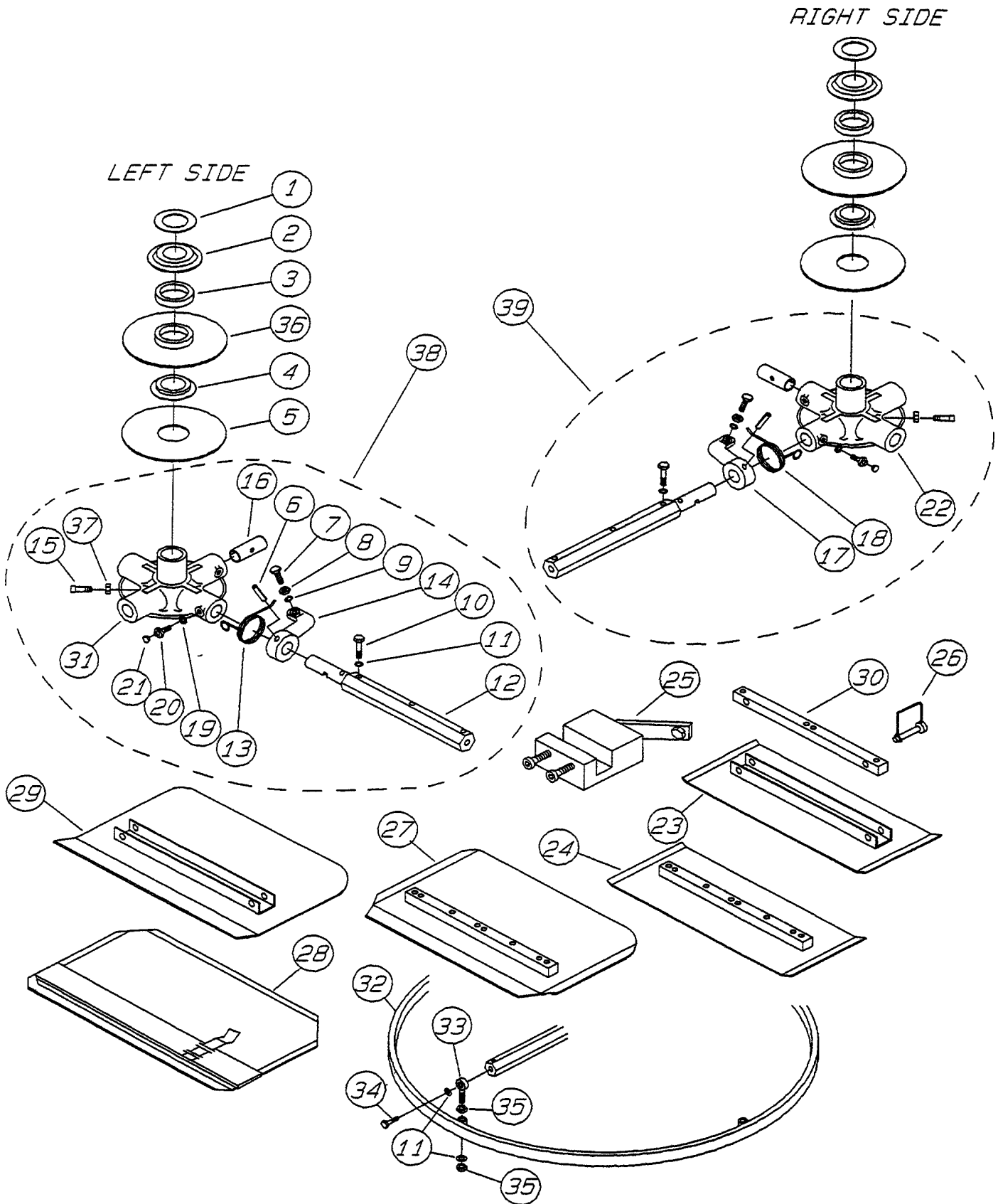
BTO RIDE-ON POWER TROWEL— GEARBOX ASSY.

GEARBOX ASSY.

| <u>NO.</u> | <u>PART NO.</u> | <u>PART NAME</u> | <u>QTY.</u> | <u>REMARKS</u> |
|------------|-----------------|--------------------------------|-------------|---|
| 42 | 10930 | FENDER WASHER 1/4" | 2 | |
| 43 | 10921 | FAN (C.W.) | 1 | |
| 44 | 10922 | FAN (C.C.W.) | 1 | |
| 45 | 10882 | LEFT SIDE FAN COVER | 1 | |
| 46 | 10989 | STUD 10- 32 X 3/4" | 2 | |
| 47 | 10019 | LOCK NUT 10- 32 | 2 | |
| 48 | 10966 | RIGHT SIDE GEARBOX ASSEMBLY | 1 | |
| 49 | 10967 | LEFT SIDE GEARBOX ASSEMBLY | 1 | |
| | 10139 | REPLACEMENT GEARBOX OIL, | 1 | 22 OZ.BOTTLE |
| | 10518 | BEARING REPLACEMENT KIT | 1 | TO S/N KC44134 (ONE PER GEARBOX NOT SHOWN) |
| | 11427 | BEARING REPLACEMENT KIT | 1 | FROM KC44135 (ONE PER GEARBOX NOT SHOWN) |
| | 2633 | GASKET KIT | 1 | TO S/N KC44134 |
| | 11426 | GASKET | 1 | FROM S/N 44135 |

BTO RIDE-ON POWER TROWEL— SPIDER & BLADES ASSY.

SPIDER & BLADES ASSY.



BTO RIDE-ON POWER TROWEL— SPIDER & BLADES ASSY.

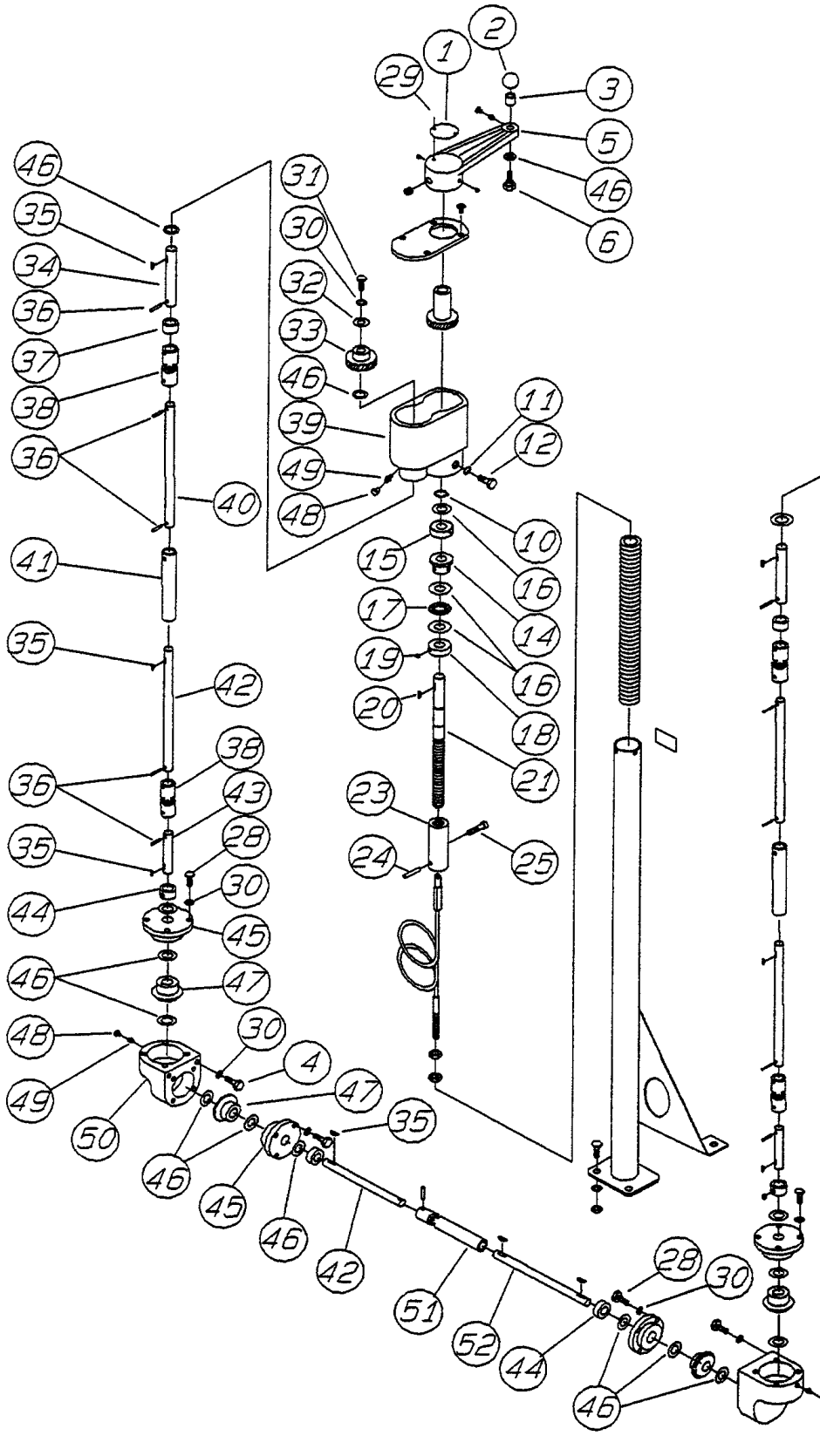
SPIDER & BLADES ASSY.

| <u>NO.</u> | <u>PART NO.</u> | <u>PART NAME</u> | <u>QTY.</u> | <u>REMARKS</u> |
|------------|-----------------|---------------------------------------|-------------|-------------------------|
| 1 | 1803 | WEAR PLATE | 2 | |
| 2 | 1152 | THRUST COLLAR CAP | 2 | |
| 3 | 1153 | THRUST BEARING | 2 | |
| 4 | 1471 | THRUST COLLAR BUSHING | 2 | |
| 5 | 1154A | WEAR PLATE | 2 | |
| 6 | 4164 | ROLL PIN | 8 | |
| 7 | 0164B | HHCS 3/8"- 16 X 1.1/4" | 8 | FULL THREAD RADIUS HEAD |
| 8 | 1876 | JAM NUT 3/8"- 16 | 8 | |
| 9 | 0166A | LOCK WASHER 3/8" | 8 | |
| 10 | 0105 | HHCS 5/16"- 18 X 1.1/2" | 16 | |
| 11 | 0161C | LOCK WASHER 5/16" | 32 | |
| 12 | 2827 | TROWEL ARM 16-1/2 | 8 | |
| 13 | 1316 | LEFT SIDE SPRING | 4 | |
| 14 | 1163 | LEFT SIDE TROWEL LEVER | 4 | |
| 15 | 1167A | SQHSS 3/8"- 16 X 1.1/2" | 2 | |
| 16 | 1157A | BUSHING | 8 | |
| 17 | 1555 | RIGHT SIDE TROWEL ARM LEVER | 8 | |
| 18 | 1317 | RIGHT SIDE SPRING | 4 | |
| 19 | 1875 | INT. LOCK WASHER 3/8" | 8 | |
| 20 | 1322 | RETAINING SCREW | 8 | |
| 21 | 1162A | LUBRA- CAP | 8 | |
| 22 | 1554 | RIGHT SIDE SPIDER | 1 | |
| 23 | 1874 | UNIVERSAL FIT FINISH BLADE | | OPTIONAL |
| 24 | 0400 | FINISH BLADE | | OPTIONAL |
| 25 | 1817 | TROWEL ARM ADJUSTMENT FIXTURE | | OPTIONAL |
| 26 | 1869 | SNAP PIN | | OPTIONAL |
| 27 | 2949 | COMBINATION FLOAT & FINISH BLADE | 8 | |
| 28 | 0444F | CLIP- ON FLOAT BLADE | | OPTIONAL |
| 29 | 1873 | UNIVERSAL FIT COMBINATION BLADE | | OPTIONAL |
| 30 | 1856 | UNIVERSAL FIT MOUNTING BAR | | OPTIONAL |
| 31 | 1161 | LEFT SIDE SPIDER | 1 | |
| 32 | 1483 | STABILIZER RING | 2 | |
| 33 | 1723 | SPHERICAL BEARING | 8 | |
| 34 | 1237 | SHCS 5/16"- 18 X 7/8" | 8 | |
| 35 | 6014C | FINISH NUT 5/16- 24 | 16 | |
| 36 | 1154 | THRUST COLLAR | 2 | |
| 37 | 1167A | HEX NUT 3/8"- 16 | 2 | |
| 38 | 1490 | LEFT SIDE SPIDER ASSEMBLY | | |
| 39 | 1693 | RIGHT SIDE SPIDER ASSEMBLY | | |

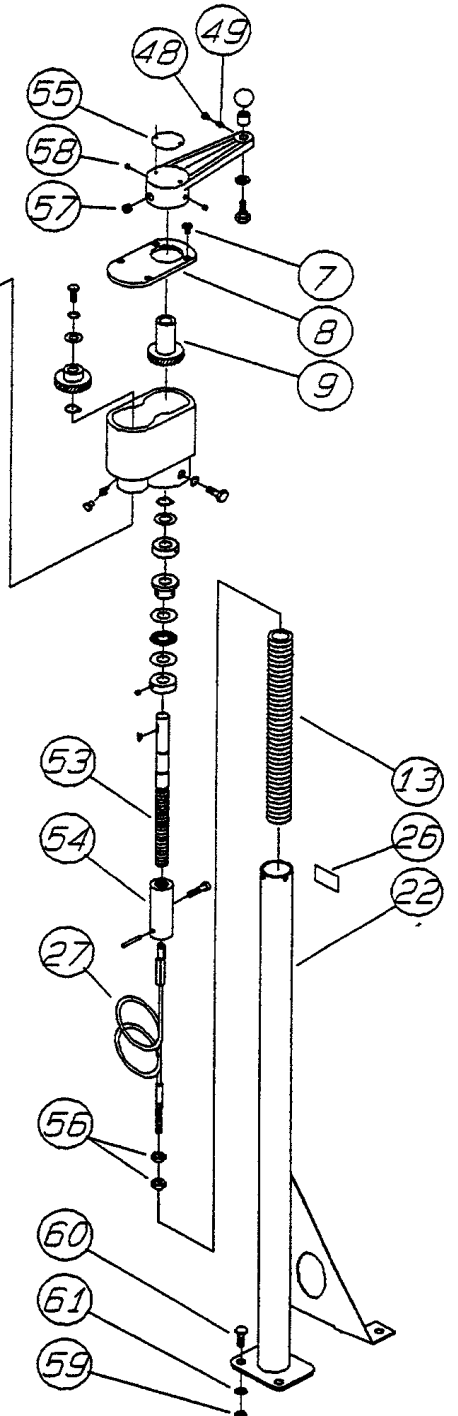
BTO RIDE-ON POWER TROWEL— TWIN PITCH CONTROL ASSY.

TWIN PITCH CONTROL ASSY.

RIGHT SIDE



LEFT SIDE



BTO RIDE-ON POWER TROWEL— TWIN PITCH CONTROL ASSY.

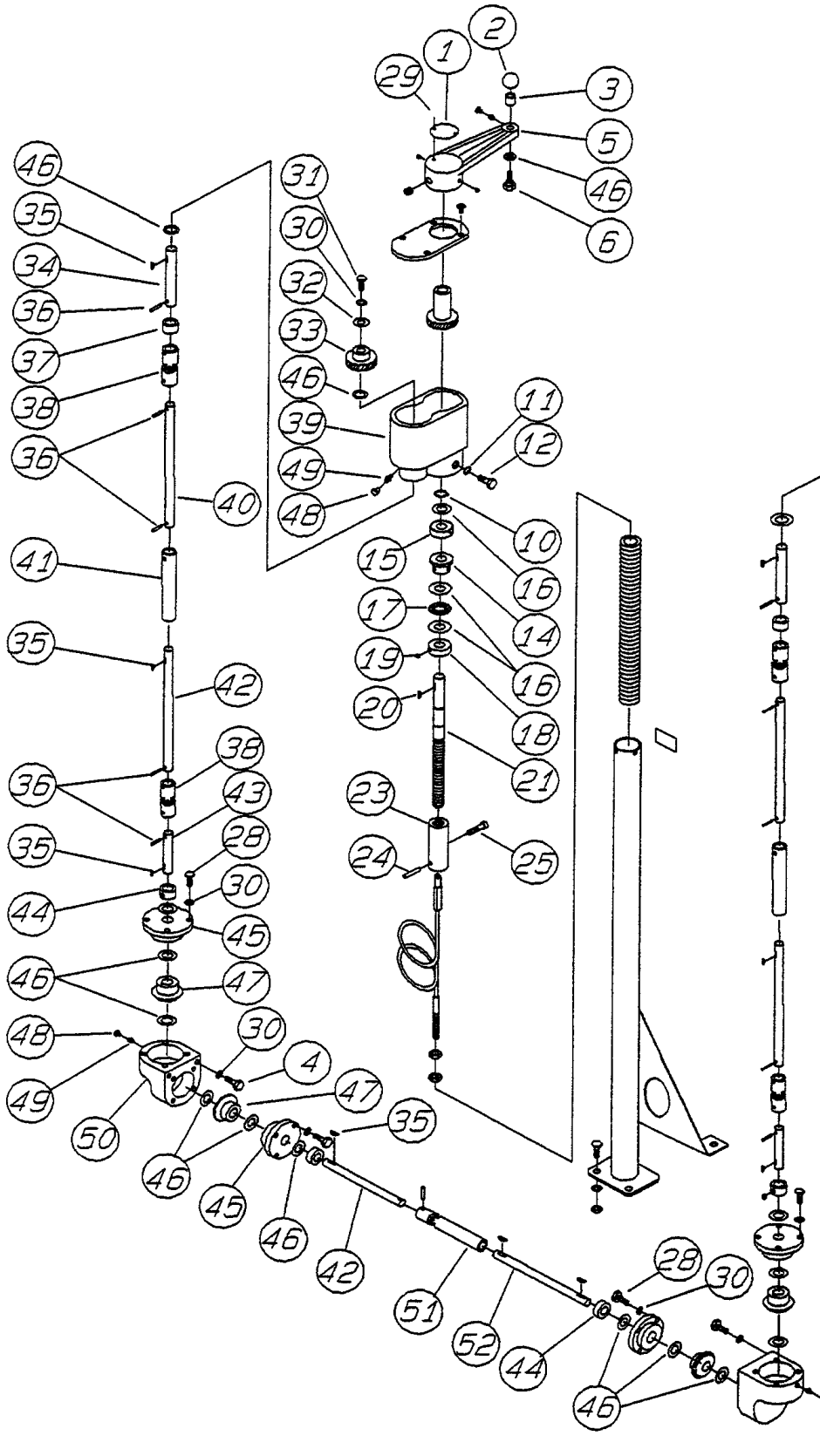
TWIN PITCH CONTROL ASSY.

| <u>NO.</u> | <u>PART NO.</u> | <u>PART NAME</u> | <u>QTY.</u> | <u>REMARKS</u> |
|------------|-----------------|--------------------------------|-------------|----------------|
| 1 | 2300 | RIGHT SIDE DECAL | 1 | |
| 2 | 4403 | CRANK KNOB | 2 | |
| 3 | 3231 | SPACER | 2 | |
| 4 | 4514 | HHCS 1/4"- 20 X 5/8" | 4 | |
| 5 | 1615 | CRANK LEVER | 2 | |
| 6 | 1616 | SHOULDER BOLT | 2 | |
| 7 | 2620 | BHCS 10- 24 X 5/8" | 8 | |
| 8 | 2649 | COVER PLATE | 2 | |
| 9 | 1529 | MASTER GEAR | 2 | |
| 10 | 10512 | RETAINING RING | 2 | |
| 11 | 0161C | LOCK WASHER 5/16" | 6 | |
| 12 | 0655 | HHCS 5/15"- 18 X 3/4" | 6 | |
| 13 | 2156 | SPRING | 2 | |
| 14 | 1612 | BEARING | 2 | |
| 15 | 1604 | BEARING | 2 | |
| 16 | 2170 | THRUST WASHER | 6 | |
| 17 | 2169 | THRUST BEARING | 2 | |
| 18 | 2367 | SET COLLAR | 2 | |
| 19 | 0685 | SHSS 5/16"- 18 X 5/16" | 4 | |
| 20 | 0126 | WOODRUFF KEY #9 | 2 | |
| 21 | 10510 | RIGHT SIDE PITCH CONTROL SCREW | 1 | |
| 22 | 10548 | PITCH CONTROL TUBE | 2 | |
| 23 | 10721 | RIGHT SIDE SLIDE BLOCK | 1 | |
| 24 | 10723 | ROLL PIN | 2 | |
| 25 | 10382 | SHOULDER BOLT 3/8" | 2 | |
| 26 | 2634 | SPRING WARNING DECAL | 2 | |
| 27 | 2008 | CABLE | 2 | |
| 28 | 0730 | HHCS 1/4"- 20 X 1" | 16 | |
| 29 | 4014 | U- DRIVE SCREW 2 X 3/16" | 4 | |
| 30 | 0181B | LOCK WASHER 1/4" | 22 | |
| 31 | 1579 | HHCS 1/4"- 20 X 1/2" | 2 | |
| 32 | 0948 | FLAT WASHER 1/4" | 2 | |
| 33 | 1530 | SLAVE GEAR | 2 | |
| 34 | 2007 | SHAFT | 2 | |
| 35 | 1578 | WOODRUFF KEY #3 | 9 | |
| 36 | 1586 | ROLL PIN | 11 | |
| 37 | 2311 | SPACER | 2 | |
| 38 | 1536 | U- JOINT | 4 | |
| 39 | 10546 | HOUSING | 2 | |
| 40 | 2023 | SHAFT | 2 | |
| 41 | 2012 | SLEEVE | 2 | |
| 42 | 2022 | SHAFT | 3 | |
| 43 | 2021 | SHAFT | 2 | |
| 44 | 1577 | SET COLLAR | 4 | |
| 45 | 1988 | MITER BOX CAP | 4 | |
| 46 | 1733 | HARDENED WASHER | 18 | |

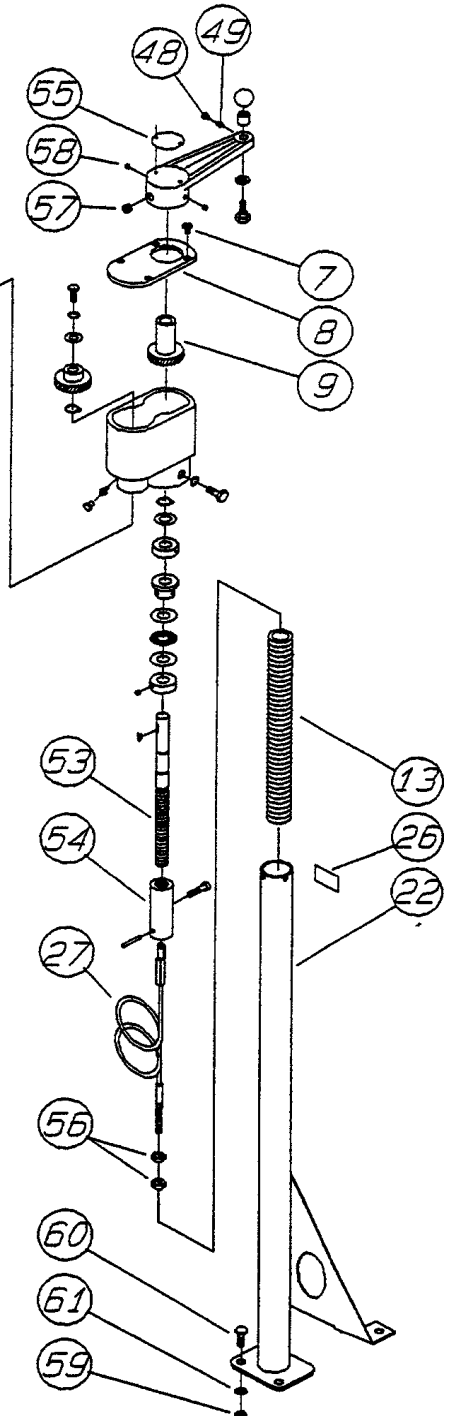
BTO RIDE-ON POWER TROWEL— TWIN PITCH CONTROL ASSY.

TWIN PITCH CONTROL ASSY.

RIGHT SIDE



LEFT SIDE



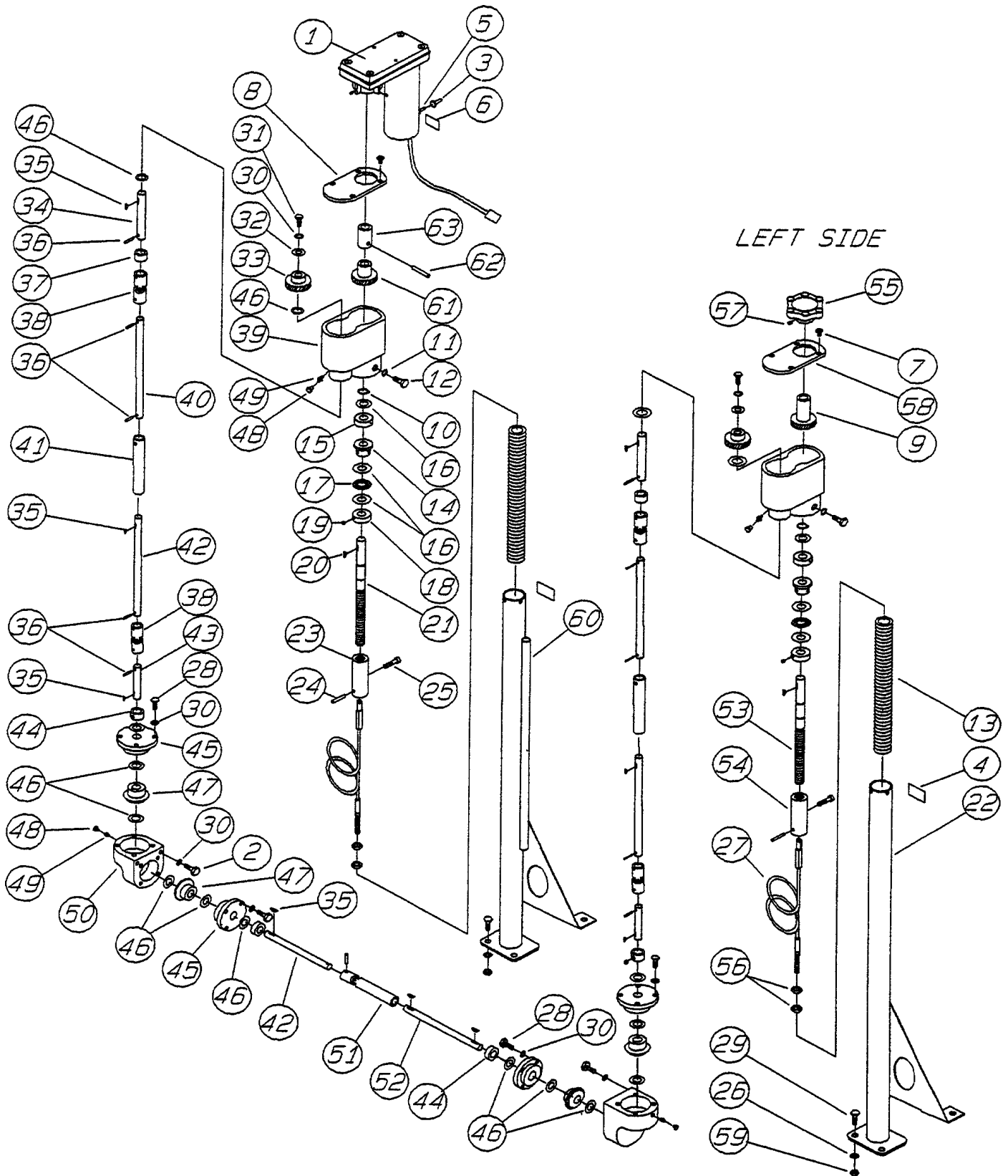
BTO RIDE-ON POWER TROWEL— TWIN PITCH CONTROL ASSY.

TWIN PITCH CONTROL ASSY.

| <u>NO.</u> | <u>PART NO.</u> | <u>PART NAME</u> | <u>QTY.</u> | <u>REMARKS</u> |
|------------|-----------------|-------------------------------|-------------|----------------|
| 47 | 2062 | MITER GEAR | 4 | |
| 48 | 1162A | LUBRA- CAP | 6 | |
| 49 | 2621 | GREASE FITTING | 6 | |
| 50 | 1987 | MITER BOX | 2 | |
| 51 | 2104 | SLEEVE | 1 | |
| 52 | 2049 | SHAFT | 1 | |
| 53 | 10511 | LEFT SIDE PITCH CONTROL SCREW | 1 | |
| 54 | 10722 | LEFT SIDE SLIDE BLOCK | 1 | |
| 55 | 2332 | LEFT SIDE DECAL | 1 | |
| 56 | 1116 | BRASS JAM NUT | 4 | |
| 57 | 0185 | SHSS 3/8"- 16 X 3/8" | 2 | |
| 58 | 1528 | SHSS 1/4"- 20 X 5/16" | 4 | |
| 59 | 5283 | LOCK NUT5/16"- 18 | 8 | |
| 60 | 0202 | HHCS 5/16"- 18 X 1" | 8 | |
| 61 | 0300B | FLAT WASHER 5/16" | 8 | |

BTO RIDE-ON POWER TROWEL— ELECTRIC PITCH CONTROL ASSY.

ELECTRIC PITCH CONTROL ASSY.



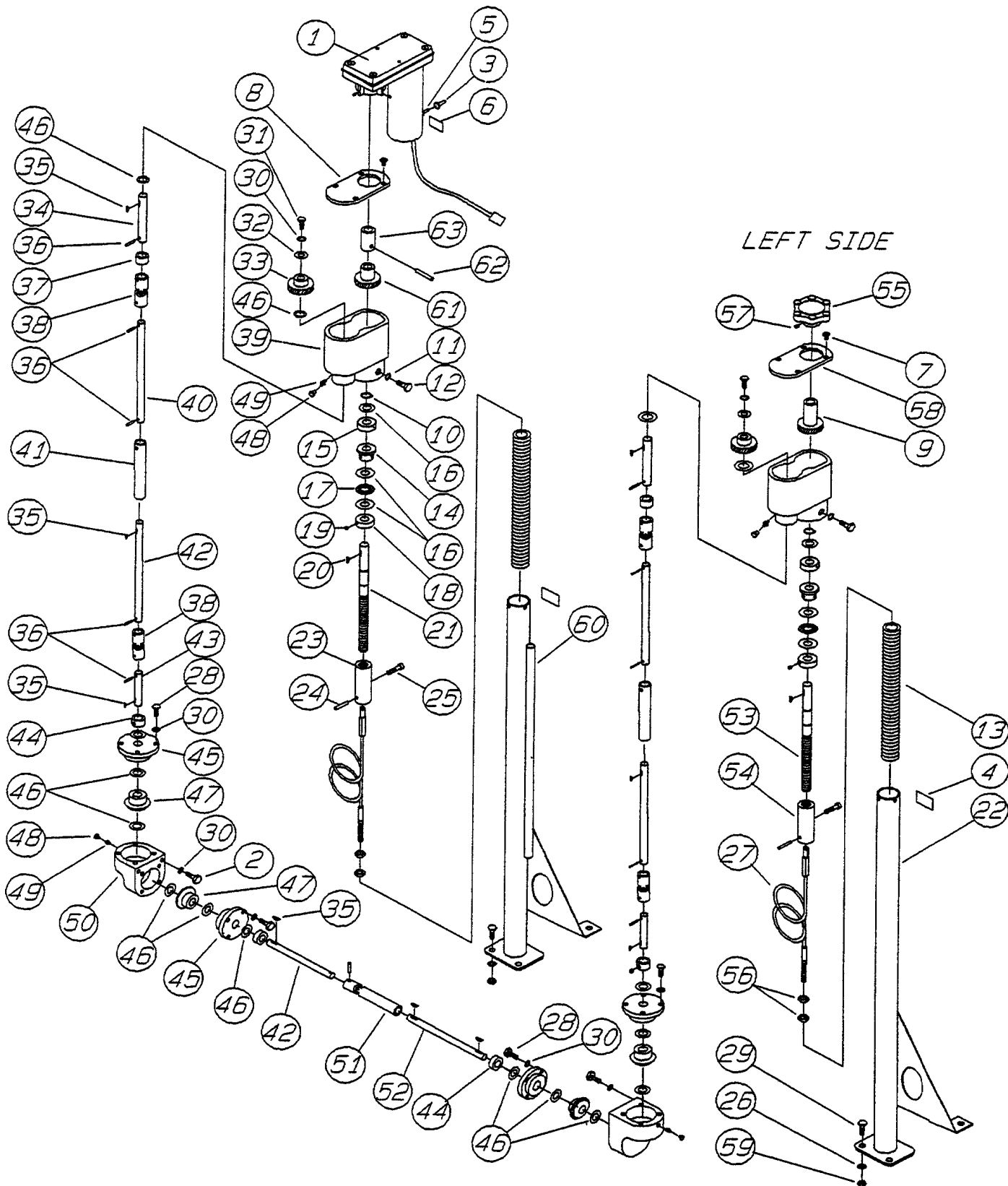
BTO RIDE-ON POWER TROWEL— ELECTRIC PITCH CONTROL ASSY.

ELECTRIC PITCH CONTROL ASSY.

| <u>NO.</u> | <u>PART NO.</u> | <u>PART NAME</u> | <u>QTY.</u> | <u>REMARKS</u> |
|------------|-----------------|--------------------------------|-------------|----------------|
| 1 | 10485 | POWER HEAD ASSEMBLY | 1 | |
| 2 | 4514 | HHCS 1/4"- 20 X 5/8" | 4 | |
| 3 | 8381 | SWITCH BOOT COVER | 1 | |
| 4 | 2634 | SPRING WARNING DECAL | 2 | |
| 5 | 2596 | SWITCH | 1 | |
| 6 | 2881 | BLADE PITCH DECAL | 1 | |
| 7 | 2620 | BHMS 10- 24 X 5/8" | 8 | |
| 8 | 2592 | COVER PLATE | 1 | |
| 9 | 1529 | MASTER GEAR | 1 | |
| 10 | 10512 | RETAINING RING | 2 | |
| 11 | 0161C | LOCK WASHER 5/16" | 6 | |
| 12 | 0655 | HHCS 5/16"- 18 X 3/4" | 6 | |
| 13 | 2156 | SPRING | 2 | |
| 14 | 1612 | BEARING | 2 | |
| 15 | 1604 | BEARING | 2 | |
| 16 | 2170 | THRUST WASHER | 6 | |
| 17 | 2169 | THRUST BEARING | 2 | |
| 18 | 2367 | SET COLLAR | 2 | |
| 19 | 0685 | SHSS 5/16"- 18 X 5/16" | 2 | |
| 20 | 0126 | WOODRUFF KEY #9 | 2 | |
| 21 | 10623 | RIGHT SIDE PITCH CONTROL SCREW | 1 | |
| 22 | 10548 | LEFT SIDE PITCH CONTROL TUBE | 1 | |
| 23 | 10721 | RIGHT SIDE SLIDE BLOCK | 1 | |
| 24 | 10723 | ROLL PIN | 2 | |
| 25 | 10382 | SHOULDER BOLT 3/8" | 2 | |
| 26 | 0300B | FLAT WASHER 5/16" | 8 | |
| 27 | 2008 | CABLE | 2 | |
| 28 | 0730 | HHCS 1/4"- 20 X 1" | 16 | |
| 29 | 0202 | HHCS 5/16"- 18 X 1" | 8 | |
| 30 | 0181B | LOCK WASHER 1/4" | 22 | |
| 31 | 1579 | HHCS 1/4"- 20 X 1/2" | 2 | |
| 32 | 0948 | FLAT WASHER 1/4" | 2 | |
| 33 | 1530 | SLAVE GEAR | 2 | |
| 34 | 2007 | SHAFT | 2 | |
| 35 | 1578 | WOODRUFF KEY #3 | 9 | |
| 36 | 1586 | ROLL PIN | 11 | |
| 37 | 2311 | SPACER | 2 | |
| 38 | 1536 | U- JOINT | 4 | |
| 39 | 10546 | HOUSING | 2 | |
| 40 | 2023 | SHAFT | 2 | |
| 41 | 2012 | SLEEVE | 2 | |
| 42 | 2022 | SHAFT | 3 | |
| 43 | 2021 | SHAFT | 2 | |
| 44 | 1577 | SET COLLAR | 4 | |
| 45 | 1988 | MITER BOX CAP | 4 | |
| 46 | 1733 | HARDENED WASHER | 16 | |

BTO RIDE-ON POWER TROWEL— ELECTRIC PITCH CONTROL ASSY.

ELECTRIC PITCH CONTROL ASSY.



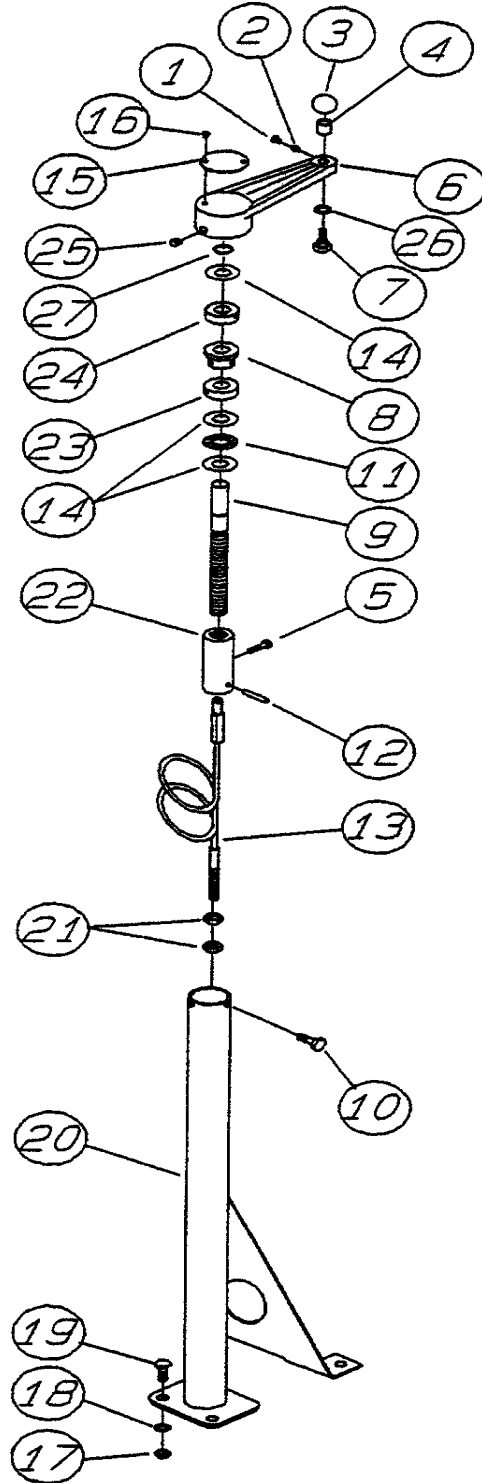
BTO RIDE-ON POWER TROWEL— ELECTRIC PITCH CONTROL ASSY.

ELECTRIC PITCH CONTROL ASSY.

| <u>NO.</u> | <u>PART NO.</u> | <u>PART NAME</u> | <u>QTY.</u> | <u>REMARKS</u> |
|------------|-----------------|-------------------------------|-------------|----------------|
| 47 | 2062 | MITER GEAR | 4 | |
| 48 | 1162A | LUBRA- CAP | 4 | |
| 49 | 2621 | GREASE FITTING | 4 | |
| 50 | 1987 | MITER BOX | 2 | |
| 51 | 2104 | SLEEVE | 1 | |
| 52 | 2049 | SHAFT | 1 | |
| 53 | 10510 | LEFT SIDE PITCH CONTROL SCREW | 1 | |
| 54 | 10722 | LEFT SIDE SLIDE BLOCK | 1 | |
| 55 | 2591 | STAR WHEEL | 1 | |
| 56 | 1116 | BRASS JAM NUT | 4 | |
| 57 | 1528 | SHSS 1/4"- 20 X 5/16" | 2 | |
| 58 | 2649 | COVER PLATE | 1 | |
| 59 | 5283 | LOCK NUT 5/16"- 18 | 8 | |
| 60 | 10647 | RIGHT SIDE PITCH CONTROL TUBE | 1 | |
| 61 | 2698 | ELECTRIC PITCH GEAR | 1 | |
| 62 | 2695 | ROLL PIN | 1 | |
| 63 | 2593 | SLEEVE ADAPTER | 1 | |

BTO RIDE-ON POWER TROWEL— SINGLE PITCH CONTROL ASSY.

SINGLE PITCH CONTROL ASSY.



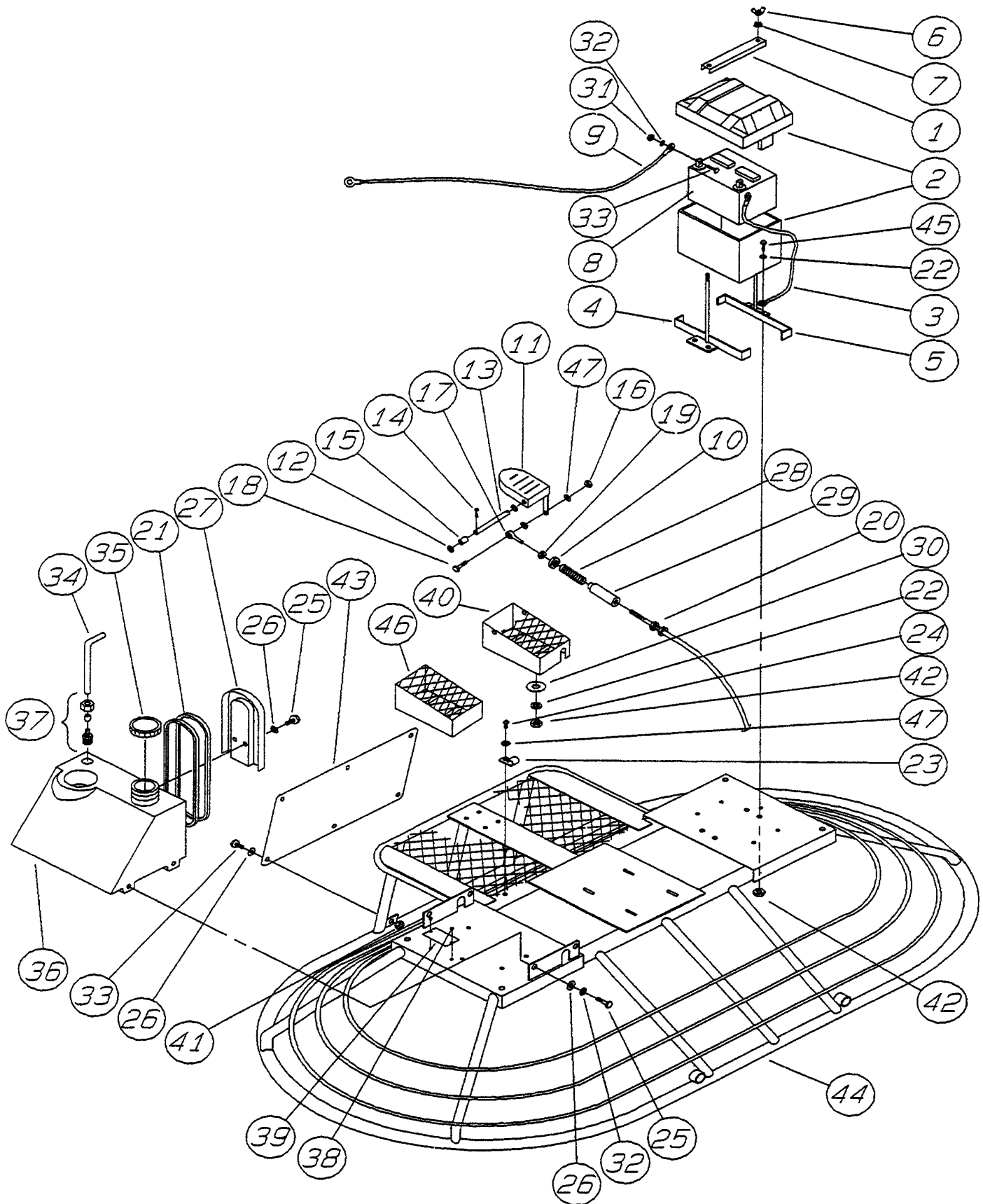
BTO RIDE-ON POWER TROWEL— SINGLE PITCH CONTROL ASSY.

SINGLE PITCH CONTROL ASSY.

| <u>NO.</u> | <u>PART NO.</u> | <u>PART NAME</u> | <u>QTY.</u> | <u>REMARKS</u> |
|------------|-----------------|---------------------------|-------------|----------------|
| 1 | 1162A | LUBRA- CAP | 2 | |
| 2 | 2621 | GREASE FITTING | 2 | |
| 3 | 4403 | CRANK KNOB | 2 | |
| 4 | 3231 | SPACER | 2 | |
| 5 | 10382 | SHOULDER BOLT 3/8" X 3/8" | 2 | |
| 6 | 2575 | CRANK LEVER | 2 | |
| 7 | 1616 | SHOULDER BOLT | 2 | |
| 8 | 1111 | BEARING | 2 | |
| 9 | 10646 | TROWEL CONTROL SCREW | 2 | |
| 10 | 0786 | BHCS 1/4"- 20 X 3/8" | 2 | |
| 11 | 2169 | THRUST BEARING | 2 | |
| 12 | 10723 | ROLL PIN | 2 | |
| 13 | 2008 | CABLE | 2 | |
| 14 | 2170 | THRUST WASHER | 6 | |
| 15 | 2300 | PITCH CONTROL DECAL | 2 | |
| 16 | 4014 | U- DRIVE SCREW 2 X 3/16" | 4 | |
| 17 | 5283 | LOCK NUT 5/16"- 18 | 8 | |
| 18 | 0300B | FLAT WASHER 5/16" | 8 | |
| 19 | 0202 | HHCS 5/16"- 18 X 1" | 8 | |
| 20 | 10548 | PITCH CONTROL TUBE | 2 | |
| 21 | 1116 | BRASS JAM NUT | 4 | |
| 22 | 10721 | SLIDE BLOCK | 2 | |
| 23 | 2367 | SET COLLAR | 2 | |
| 24 | 1604 | THRUST BEARING | 2 | |
| 25 | 0185 | SHSS 3/8"- 16 X 3/8" | 2 | |
| 26 | 1733 | HARDENED WASHER | 2 | |
| 27 | 10512 | SNAP RING | 2 | |

BTO RIDE-ON POWER TROWEL — MAIN FRAME ASSY.

MAIN FRAME ASSY.



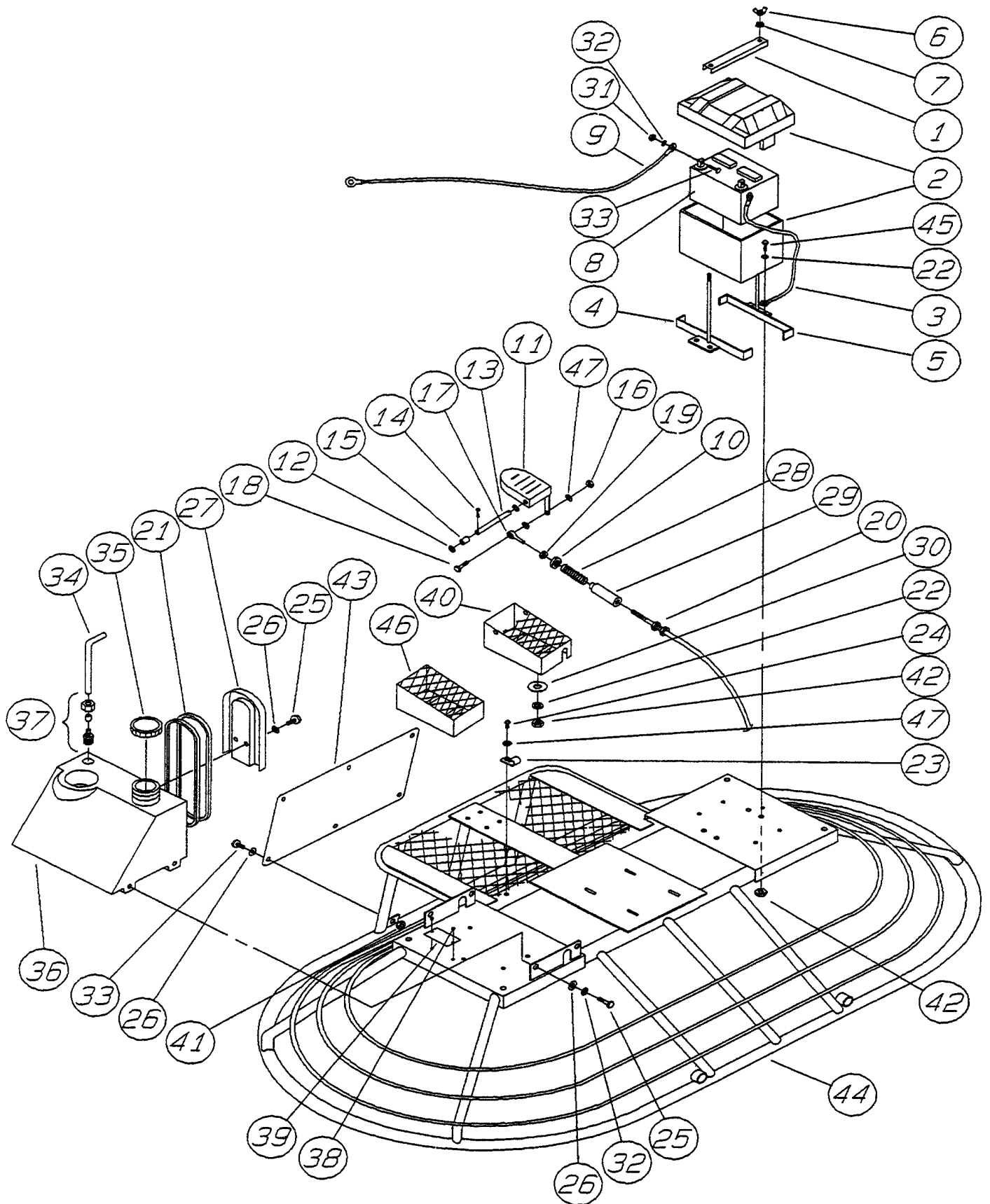
BTO RIDE-ON POWER TROWEL — MAIN FRAME ASSY.

MAIN FRAME ASSY.

| <u>NO.</u> | <u>PART NO.</u> | <u>PART NAME</u> | <u>QTY.</u> | <u>REMARKS</u> |
|------------|-----------------|--|-------------|----------------|
| 1 | 11105 | BATTERY STRAP (W/BATTERY BOX) | 1 | |
| 1 | 2222 | BATTERY STRAP (WO/BATTERY BOX) | 1 | |
| 2 | 2449 | BATTERY BOX | 1 | |
| 3 | 1597 | NEGATIVE BATTERY CABLE (BLACK) | 1 | |
| 4 | 2484 | FRONT BATTERY BRACKET (W/BATTERY BOX) | 1 | |
| 4 | 2184 | FRONT BATTERY BRACKET (WO/BATTERY BOX) | 1 | |
| 5 | 2483 | REAR BATTERY BRACKET (W/BATTERY BOX) | 1 | |
| 5 | 2183 | REAR BATTERY BRACKET (WO/BATTERY BOX) | 1 | |
| 6 | 2509 | WING NUT 1/4"- 20 | 2 | |
| 7 | 10031 | EXT. SHKP. WASHER 1/4" | 2 | |
| 8 | 4671 | BATTERY 12V (GROUP U- 1) | 1 | |
| 9 | 2542 | POSITIVE BATTERY CABLE (RED) | 1 | VANG. MODEL |
| 9 | 2541 | POSITIVE BATTERY CABLE (RED) | 1 | HONDA MODEL |
| 10 | 2755 | SHORT SPRING ADAPTOR | 1 | |
| 11 | 2086 | ACCELERATOR PEDAL | 1 | |
| 12 | 10136 | FLAT WASHER 3/8" | 2 | |
| 13 | 2772 | PIN | 1 | |
| 14 | 6014B | COTTER PIN | 2 | |
| 15 | 3083 | SPACER | 1 | |
| 16 | 10019 | LOCK NUT 10- 32 | 1 | |
| 17 | 2154 | SPHERICAL BEARING | 1 | |
| 18 | 10018 | SHCS 10- 32 X1" | 1 | |
| 19 | 0937 | HEX NUT 10- 32 | 1 | |
| 20 | 2124 | THROTTLE CABLE | 1 | VANG. MODEL |
| 20 | 10568 | THROTTLE CABLE | 1 | HONDA MODEL |
| 21 | 11064 | SPARE BELT (SEE ENGINE PAGE) | 2 | |
| 22 | 0300B | FLAT WASHER 5/16" | 8 | |
| 23 | 8126 | CLAMP | 1 | |
| 24 | 5065B | RHMS 10- 32 X 1/2" | 1 | |
| 25 | 4514 | HHCS 1/4"- 20 X 5/8" | 6 | |
| 26 | 0948 | FLAT WASHER 1/4" | 12 | |
| 27 | 2429 | SPARE BELT CARRIER | 1 | |
| 28 | 2753 | THROTTLE SPRING | 1 | |
| 29 | 2754 | LONG SPRING ADAPTOR | 1 | |
| 30 | 3233 | FENDER WASHER | 4 | |

BTO RIDE-ON POWER TROWEL— MAIN FRAME ASSY.

MAIN FRAME ASSY.



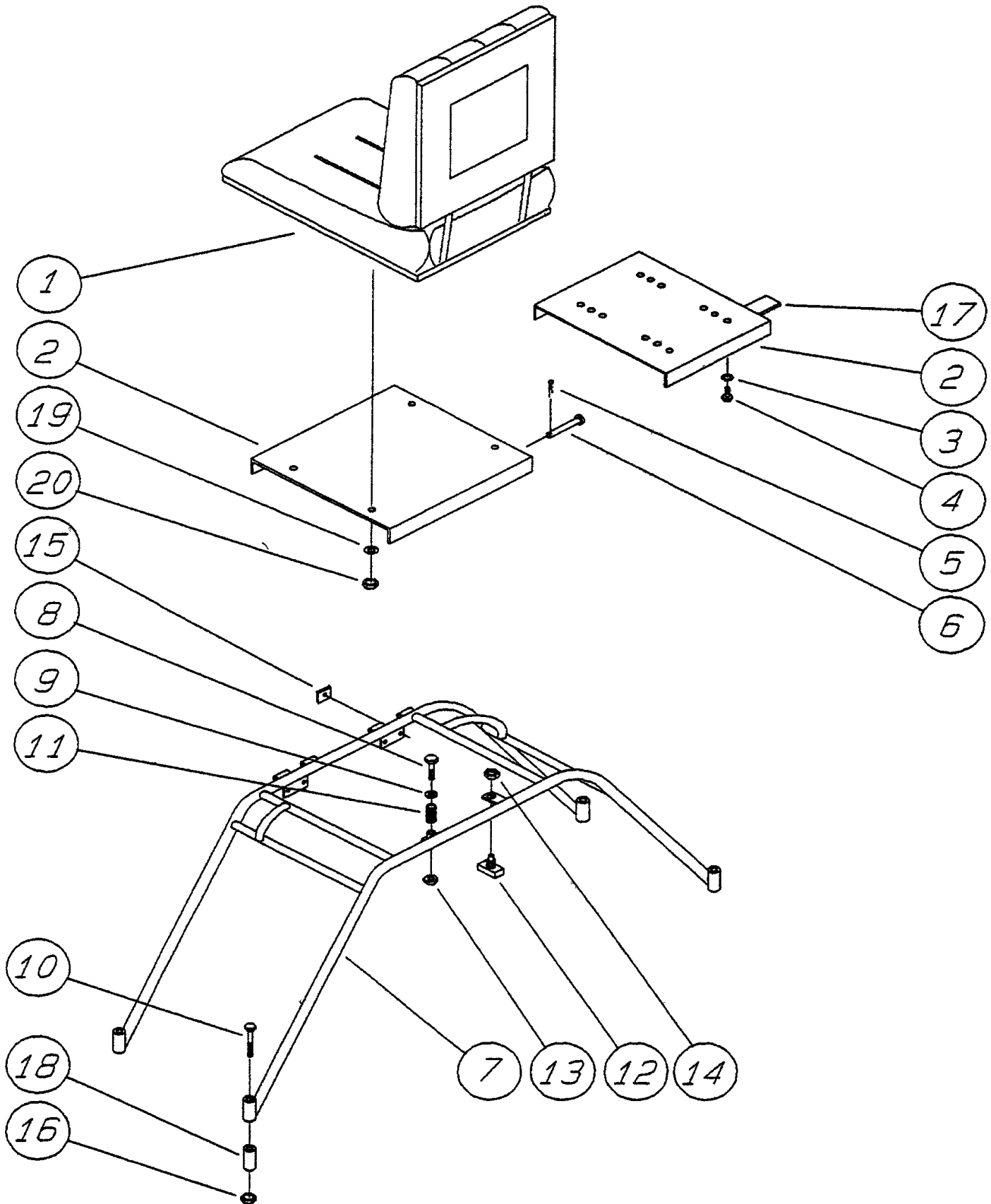
BTO RIDE-ON POWER TROWEL— MAIN FRAME ASSY.

MAIN FRAME ASSY.

| <u>NO.</u> | <u>PART NO.</u> | <u>PART NAME</u> | <u>QTY.</u> | <u>REMARKS</u> |
|------------|-----------------|--------------------------|-------------|----------------|
| 31 | 0949 | HEX NUT 1/4- 20 | 2 | |
| 32 | 0181B | LOCK WASHER 1/4- 20 | 2 | |
| 33 | 0131A | HHCS 1/4- 20 X 3/4" | 8 | |
| 34 | 11016 | FUEL PICK- UP TUBE | 1 | |
| 35 | 2712 | FUEL CAP | 1 | |
| 36 | 11003 | FUEL TANK | 1 | |
| 37 | 19088 | FITTING | 1 | |
| 38 | 4014 | U- DRIVE SCREW 2 X 3/16" | 2 | |
| 39 | 2411 | SERIAL NUMBER PLATE | 1 | |
| 40 | 2774 | RIGHT SIDE FOOTREST | 1 | |
| 41 | 10024 | LOCK NUT 1/4- 20 | 6 | |
| 42 | 5283 | LOCK NUT 5/16- 18 | 8 | |
| 43 | 2536 | FRONT PANEL | 1 | |
| 44 | 10638 | MAIN FRAME | 1 | TO KG46645 |
| 44 | 11523 | MAIN FRAME | 1 | FROM KG46646 |
| 45 | 0655 | HHCS 5/16- 18 X 3/4" | 4 | |
| 46 | 2773 | LEFT SIDE FOOTREST | 1 | |
| 47 | 2203 | FLAT WASHER #10 | 3 | |

BTO RIDE-ON POWER TROWEL— SEAT FRAME ASSY.

SEAT FRAME ASSY.



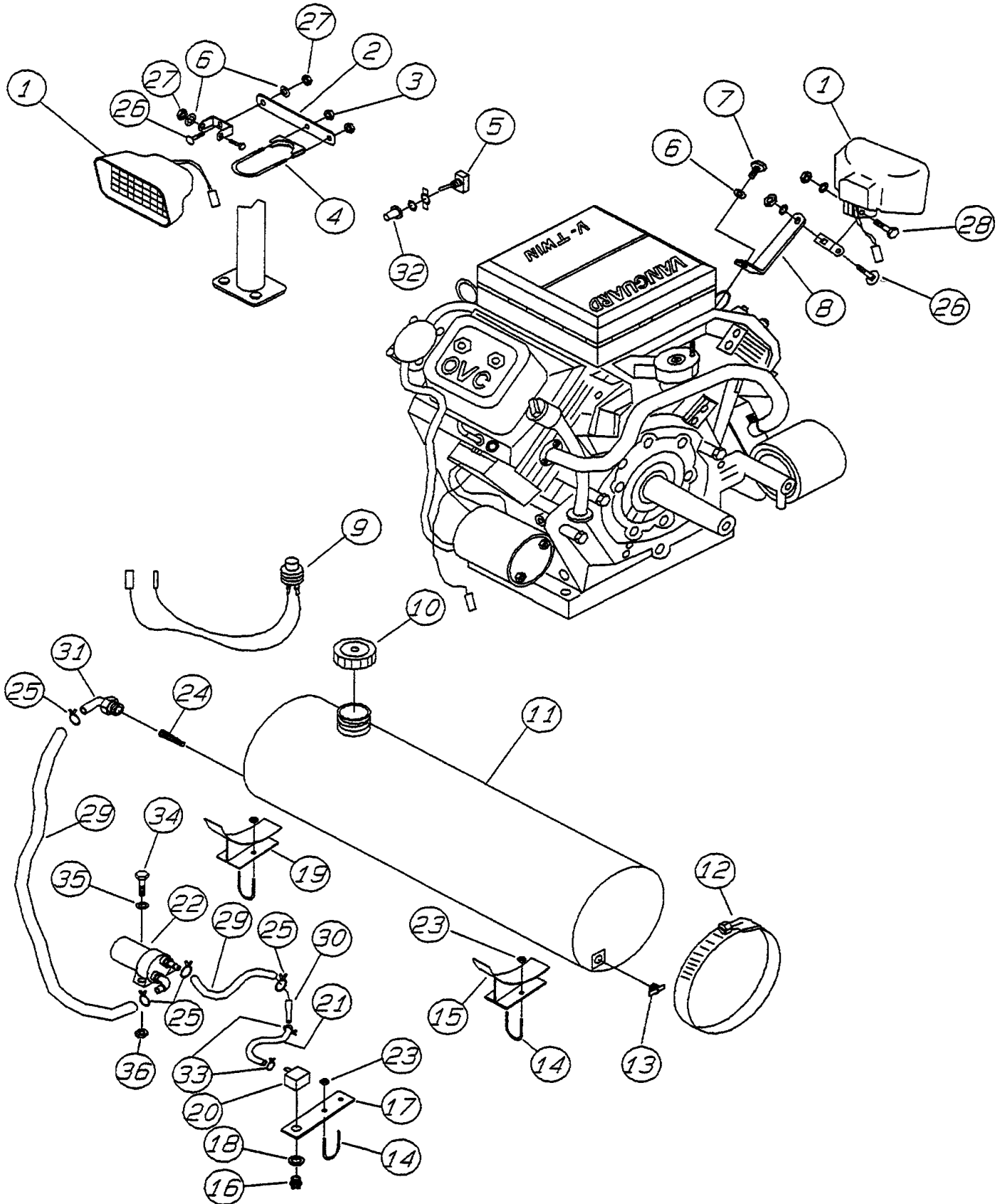
BTO RIDE-ON POWER TROWEL— SEAT FRAME ASSY.

SEAT FRAME ASSY.

| <u>NO.</u> | <u>PART NO.</u> | <u>PART NAME</u> | <u>QTY.</u> | <u>REMARKS</u> |
|------------|-----------------|--------------------------------|-------------|------------------------|
| 1 | 2351 | SEAT | 1 | TO KF46011 |
| 1 | 11286 | SEAT | 1 | FROM KF46012 |
| 2 | 2421 | SEAT MOUNTING PLATE | 1 | TO KF46011 |
| 2 | 11472 | SEAT MOUNTING PLATE | 1 | FROM KF46012 |
| 3 | 0161C | LOCK WASHER 5/16" | 4 | TO KF46011 |
| 4 | 0655 | HHCS 5/16-18 X3/4" | 4 | TO KF46011 |
| 5 | 0183 | COTTER PIN | 2 | |
| 6 | 8081 | CLEVIS PIN | 2 | |
| 7 | 2812 | SEAT FRAME | 1 | VANG. MODEL |
| 7 | 10978 | SEAT FRAME | 1 | HONDA MODEL |
| 8 | 8156 | HHCS 3/8- 16 X 2.1/2" | 1 | |
| 9 | 4001 | FLAT WASHER 3/8" | 1 | |
| 10 | 2549 | HHCS1/2- 13 X 3" | 4 | VANG. MODEL |
| 10 | 10306 | HHCS 2/3- 13 X 4.1/2" | 4 | HONDA MODEL |
| 11 | 2585 | COIL SPRING | 1 | |
| 12 | 2584 | PUSH BUTTON SWITCH | 1 | |
| 13 | 10133 | LOCK NUT 3/8- 16 | 1 | |
| 14 | 2906 | PANEL NUT | 1 | |
| 15 | 10284 | CLIP- ON NUT 10- 32 | 2 | |
| 16 | 10176 | LOCK NUT 12- 13 | 4 | |
| 17 | 2759 | SEAT KILL SWITCH ADAPTER | 1 | HONDA MODEL TO KF46011 |
| 18 | 2893 | SPACER | 4 | HONDA MODEL |
| 19 | 0300B | FLAT WASHER 5/16" | 4 | FROM KF46012 |
| 20 | 5283 | LOCK NUT 5/16- 18 | 4 | FROM KF46012 |

BTO RIDE-ON POWER TROWEL— LIGHTS & RETARDANT SPRAY ASSY.

LIGHTS & RETARDANT SPRAY OPTIONS ASSY.



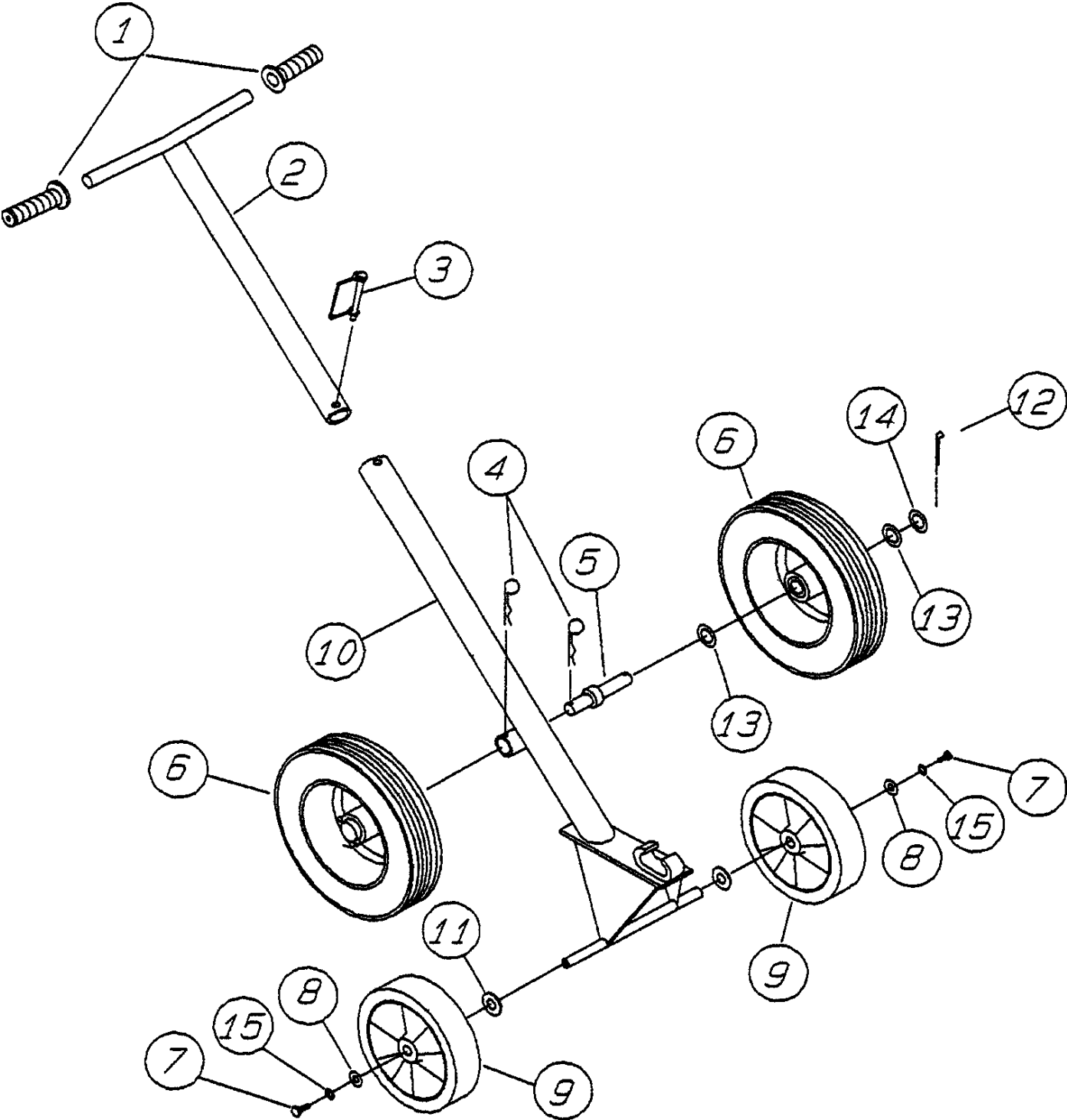
BTO RIDE-ON POWER TROWEL— LIGHTS & RETARDANT SPRAY ASSY.

LIGHTS & RETARDANT SPRAY OPTIONS ASSY.

| <u>NO.</u> | <u>PART NO.</u> | <u>PART NAME</u> | <u>QTY.</u> | <u>REMARKS</u> |
|------------|-----------------|------------------------|-------------|----------------|
| 1 | 2896 | LIGHT | 3 | |
| 2 | 2531 | FRONT MOUNTING BRACKET | 2 | |
| 3 | 5283 | LOCK NUT 5/16- 18 | 8 | |
| 4 | 2534 | CLAMP ASSEMBLY | 2 | |
| 5 | 4682 | SWITCH | 1 | |
| 6 | 0161C | LOCK WASHER 5/16" | 7 | |
| 7 | 2299 | HHCS M8- 1.25 X 15MM | 1 | |
| 8 | 2430 | REAR MOUNTING BRACKET | 1 | |
| 9 | 2765 | RETARDANT SPRAY BUTTON | 1 | |
| 10 | 2108 | TANK CAP | 1 | |
| 11 | 2916 | RETARDANT TANK | 1 | |
| 12 | 2398 | CLAMP | 2 | |
| 13 | 2478 | DRAIN COCK | 1 | |
| 14 | 2399 | U- BOLT | 2 | |
| 15 | 2887 | MOUNTING BRACKET RIGHT | 1 | |
| 16 | 392292 | SPRAY NOZZLE | 1 | |
| 17 | 2873 | MOUNTING BRACKET | 1 | |
| 18 | 2898 | RUBBER WASHER | 1 | |
| 19 | 2886 | MOUNTING BRACKET LEFT | 1 | |
| 20 | 2912 | 90 DEGREE FITTING | 1 | |
| 21 | 2914 | HOSE | 1 | |
| 22 | 10043 | PUMP ASSEMBLY | 1 | |
| 23 | 2656 | LOCK NUT 5/16- 24 | 6 | |
| 24 | 2926 | STRAINER | 1 | |
| 25 | 2918 | HOSE CLAMP | 4 | |
| 26 | 0655 | HHCS 5/16-18 X 3/4" | 3 | |
| 27 | 0161D | HEX NUT 5/16-18 | 6 | |
| 28 | 0300A | HHCS 5/16-18 X 2" | 3 | |
| 29 | 2913 | LOWER HOSE | 1 | |
| 30 | 10022 | REDUCER | 1 | |
| 31 | 2925 | 90 DEGREE ELBOW | 1 | |
| 32 | 8381 | BOOT | 1 | |
| 33 | 2930 | HOSE CLAMP | 2 | |
| 34 | 0131A | HHCS 1/4- 20 X 3/4" | 2 | |
| 35 | 0948 | FLAT WASHER 1/4" | 2 | |
| 36 | 10024 | LOCK NUT 1/4- 20 | 2 | |

BTO RIDE-ON POWER TROWEL— E-Z MOVER & LIFT HANDLE ASSY.

E- Z MOVER & LIFT HANDLE ASSY.



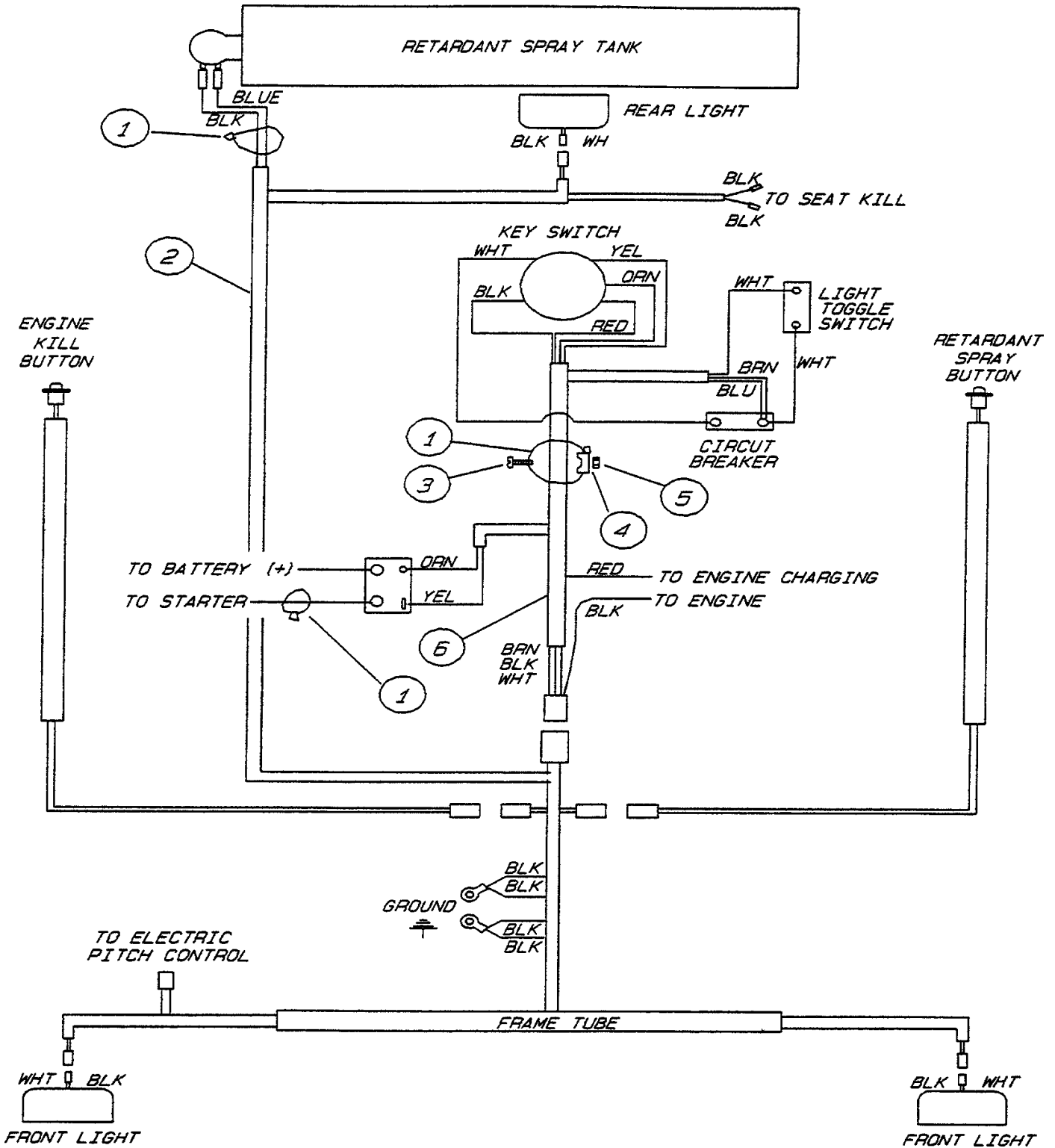
BTO RIDE-ON POWER TROWEL— E-Z MOVER & LIFT HANDLE ASSY.

E- Z MOVER & LIFT HANDLE ASSY.

| <u>NO.</u> | <u>PART NO.</u> | <u>PART NAME</u> | <u>QTY.</u> | <u>REMARKS</u> |
|------------|-----------------|----------------------|-------------|----------------|
| 1 | 0189 | HAND GRIP | 2 | |
| 2 | 2336 | E- Z MOVER HANDLE | 1 | |
| 3 | 1869 | SNAP PIN | 1 | |
| 4 | 7170 | CLIP | 2 | |
| 5 | 10444 | DOLLY AXLE | 2 | |
| 6 | 10440 | WHEEL & TIRE | 2 | |
| 7 | 0655 | HHCS 5/16- 18 X 3/4" | 2 | |
| 8 | 0300B | FLAT WASHER 5/16" | 2 | |
| 9 | 2364 | WHEEL | 2 | |
| 10 | 10445 | E- Z MOVER FRAME | 1 | |
| 11 | 4684 | FLAT WASHER 5/8" | 2 | |
| 12 | 0183 | COTTER PIN | 2 | |
| 13 | 10446 | FLAT WASHER 3/4" | 4 | |
| 14 | 8151 | FLAT WASHER 3/4" SAE | 2 | |
| 15 | 10443 | SPACER | 2 | |
| 16 | 0161C | LOCK WASHER 5/16" | 2 | |

BTO RIDE-ON POWER TROWEL— VANGUARD WIRING DIAGRAM ASSY.

VANGUARD WIRING DIAGRAM ASSY.



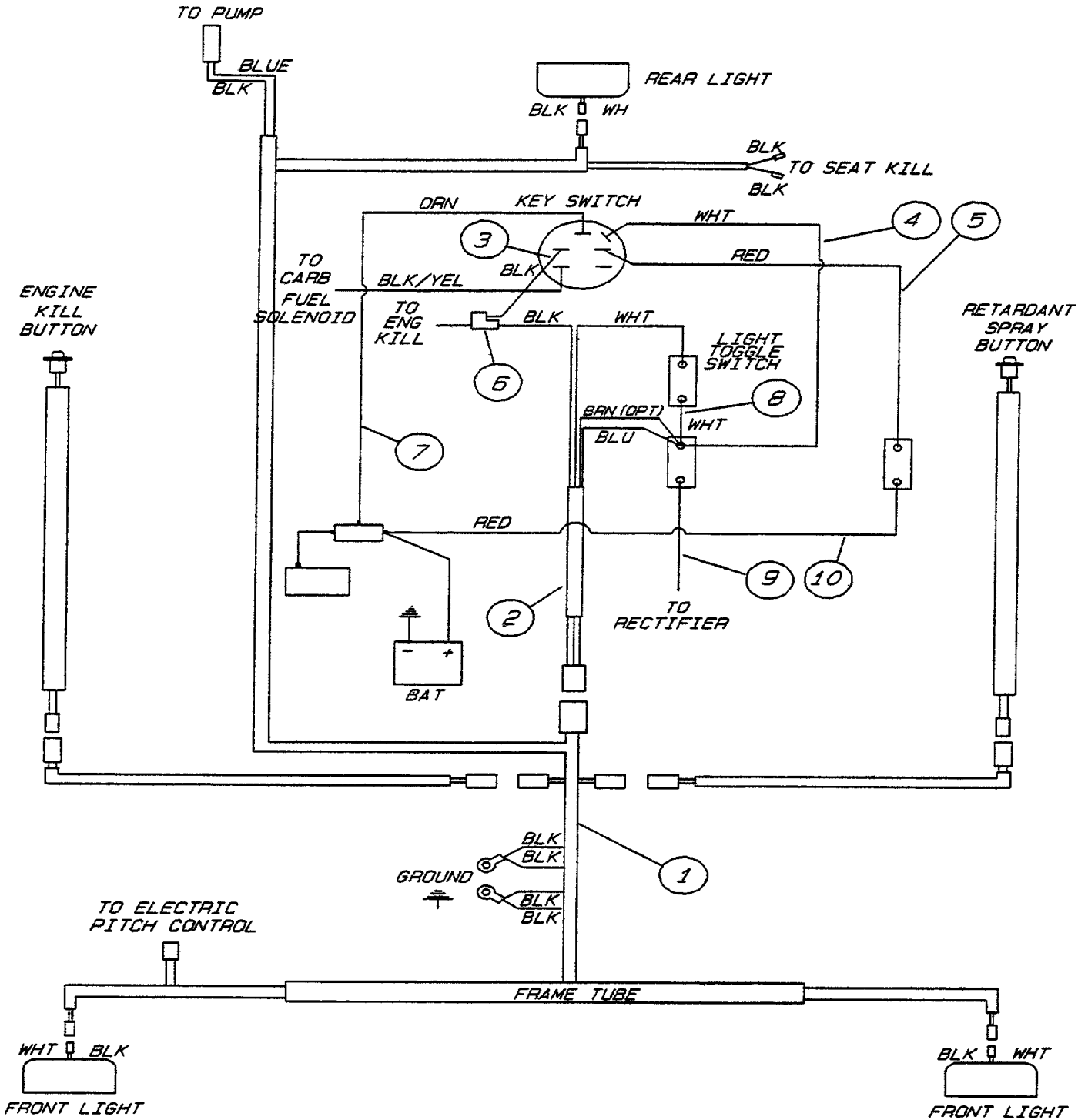
BTO RIDE-ON POWER TROWEL— VANGUARD WIRING DIAGRAM ASSY.

VANGUARD WIRING DIAGRAM ASSY.

| <u>NO.</u> | <u>PART NO.</u> | <u>PART NAME</u> | <u>QTY.</u> | <u>REMARKS</u> |
|------------|-----------------|-------------------------|-------------|----------------|
| 1 | 1662 | WIRE TIES | 14 | |
| 2 | 2775 | WIRING HARNESS ASSEMBLY | 1 | |
| 3 | 5065B | RHMS 10- 32 X 1" | 2 | |
| 4 | 2548 | WIRE CLAMP | 2 | |
| 5 | 10019 | HEX NUT 10- 32 | 2 | |
| 6 | 2776 | ENGINE HARNESS | 1 | |

BTO RIDE-ON POWER TROWEL— HONDA WIRING DIAGRAM ASSY.

HONDA WIRING DIAGRAM ASSY.



BTO RIDE-ON POWER TROWEL— HONDA WIRING DIAGRAM ASSY.

HONDA WIRING DIAGRAM ASSY.

| <u>NO.</u> | <u>PART NO.</u> | <u>PART NAME</u> | <u>QTY.</u> | <u>REMARKS</u> |
|------------|-----------------|------------------------------|-------------|----------------|
| 1 | 2775 | MAIN WIRING HARNESS ASSEMBLY | 1 | |
| 2 | 2945 | ENGINE HARNESS | 1 | |
| 3 | 10985 | KILL WIRE | 1 | |
| 4 | 10961 | CHARGING JUMPER WIRE | 1 | |
| 5 | 10982 | BATTERY JUMPER WIRE | 1 | |
| 6 | 1475 | WIRE SPLICE | 1 | |
| 7 | 10983 | SOLENOID WIRE | 1 | |
| 8 | 2796 | LIGHT SWITCH WIRE | 1 | |
| 9 | 10979 | CHARGE WIRE | 1 | |
| 10 | 10980 | BATTERY HOT WIRE | 1 | |

PAYMENT TERMS

Terms of payment for parts are net 10 days.

FREIGHT POLICY

All parts orders will be shipped collect or prepaid with the charges added to the invoice. All shipments are F.O.B. point of origin. Multiquip's responsibility ceases when a signed manifest has been obtained from the carrier, and any claim for shortage or damage must be settled between the consignee and the carrier.

MINIMUM ORDER

The minimum charge for orders from Multiquip is \$15.00 net. Customers will be asked for instructions regarding handling of orders not meeting this requirement.

RETURNED GOODS POLICY

Return shipments will be accepted and credit will be allowed, subject to the following provisions:

1. A Returned Material Authorization must be approved by Multiquip prior to shipment.
2. To obtain a Return Material Authorization, a list must be provided to Multiquip Parts Sales that defines item numbers, quantities, and descriptions of the items to be returned.
 - a. The parts numbers and descriptions must match the current parts price list.
 - b. The list must be typed or computer generated.
 - c. The list must state the reason(s) for the return.
 - d. The list must reference the sales order(s) or invoice(s) under which the items were originally purchased.
 - e. The list must include the name and phone number of the person requesting the RMA.
3. A copy of the Return Material Authorization must accompany the return shipment.

4. Freight is at the sender's expense. All parts must be returned freight prepaid to Multiquip's designated receiving point.
5. Parts must be in new and resalable condition, in the original Multiquip package (if any), and with Multiquip part numbers clearly marked.
6. The following items are not returnable:
 - a. Obsolete parts. (If an item is listed in the parts price book as being replaced by another item, it is obsolete.)
 - b. Any parts with a limited shelf life (such as gaskets, seals, "O" rings, and other rubber parts) that were purchased more than six months prior to the return date.
 - c. Any line item with an extended dealer net price of less than \$5.00.
 - d. Special order items.
 - e. Electrical components.
 - f. Paint, chemicals, and lubricants.
 - g. Decals and paper products.
 - h. Items purchased in kits.
7. The sender will be notified of any material received that is not acceptable.
8. Such material will be held for 5 working days from notification, pending instructions. If a reply is not received within 5 days, the material will be returned to the sender at his expense.
9. Credit on returned parts will be issued at dealer net price at time of the original purchase, less a 15% restocking charge.
10. In cases where an item is accepted for which the original purchase document can not be determined, the price will be based on the list price that was effective twelve months prior to the RMA date.
11. Credit issued will be applied to future purchases only.

PRICING AND REBATES

Prices are subject to change without prior notice. Price changes are effective on a specific date and all orders received on or after that date will be billed at the revised price. Rebates for price declines and added charges for price increases will not be made for stock on hand at the time of any price change.

Multiquip reserves the right to quote and sell direct to Government agencies, and to Original Equipment Manufacturer accounts who use our products as integral parts of their own products.

SPECIAL EXPEDITING SERVICE

A \$20.00 to \$50.00 surcharge will be added to the invoice for special handling including bus shipments, insured parcel post or in cases where Multiquip must personally deliver the parts to the carrier.

LIMITATIONS OF SELLER'S LIABILITY

Multiquip shall not be liable here under for damages in excess of the purchase price of the item with respect to which damages are claimed, and in no event shall Multiquip be liable for loss of profit or good will or for any other special, consequential or incidental damages.

LIMITATION OF WARRANTIES

No warranties, express or implied, are made in connection with the sale of parts or trade accessories nor as to any engine not manufactured by Multiquip. Such warranties made in connection with the sale of new, complete units are made exclusively by a statement of warranty packaged with such units, and Multiquip neither assumes nor authorizes any person to assume for it any other obligation or liability whatever in connection with the sale of its products. A part from such written statement of warranty, there are no warranties, express, implied or statutory, which extend beyond the description of the products on the face hereof.

PARTS AND OPERATION MANUAL

HERE'S HOW TO GET HELP

*PLEASE HAVE THE MODEL AND SERIAL NUMBER
ON-HAND WHEN CALLING*

PARTS DEPARTMENT

800-427-1244 or 310-537-3700

FAX: 800-672-7877 or 310-637-3284

SERVICE DEPARTMENT/TECHNICAL ASSISTANCE

800-478-1244 or 310-537-3700

FAX: 310- 537-4259

WARRANTY DEPARTMENT

888-661-4279, or 310-661-4279

FAX: 310- 537-1173

MAIN

800-421-1244 or 310-537-3700

FAX: 310-537-3927



MULTIQUIP INC.

18910 WILMINGTON AVE.
CARSON, CALIFORNIA 90746
310-537-3700
800-421-1244
FAX: 310-537-3927

E-mail: mq@multiquip.com • **www:** www.multiquip.com

Atlanta • Boise • Dallas • Houston • Newark
Montreal, Canada • Manchester, UK
Rio De Janeiro, Brazil • Guadalajara, Mexico

PARTS DEPARTMENT:

800-427-1244
FAX: 800-672-7877

SERVICE DEPARTMENT/TECHNICAL ASSISTANCE:

800-478-1244
FAX: 310-631-5032