



DCA45USI

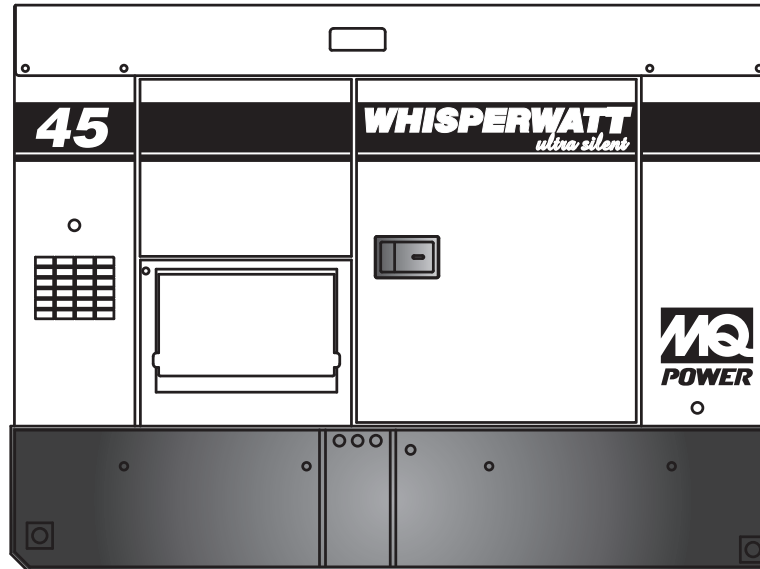
Ultra-Silent Series

WhisperWatt™ 45

Prime Rating: 36 kW (45 kVA)

Standby Rating: 40.0 kW (50.0 kVA)

60 Hertz



Standard Features

- **Heavy duty, 4-cycle, diesel engine** provides maximum reliability.
- **Brushless alternator** reduces service and maintenance requirements and meets temperature rise standards for Class H insulation systems.
- **Open delta alternator design** provides virtually unlimited excitation for maximum motor starting capability.
- **Automatic voltage regulator (AVR)** provides precise regulation.
- **Electronic Governor Control (Crystal Sync)** maintains frequency to within $\pm 0.25\%$ from no load to full load.
- **Full load acceptance** of standby nameplate rating in one step (NFPA 110, para 5-13.2.6).
- **Sound attenuated, weather resistant, steel housing** provides operation at 58 dB(A) at 23 feet. Fully lockable enclosure allows safe unattended operation.
- **Internal fuel tank** with direct reading fuel gauges are standard.
- **Seven-stage powder coat paint** provides durability and weather protection.
- **Fuel/water separator** removes condensation from fuel for extended engine life. Panel mounted alarm light included.
- **Complete engine analog instrumentation** includes DC ammeter, oil pressure gauge, water temp. gauge, fuel level gauge, tachometer/hour meter, preheat indicator, emergency shutdown monitors, and keyed start switch.
- **Automatic start/stop control** automatically starts the generator set during a commercial power failure when used in conjunction with a transfer switch.
- **Complete generator analog instrumentation** includes voltage regulator control, ammeter phase selector switch, voltmeter phase selector switch, AC voltmeter, AC ammeter, frequency meter, panel light, and circuit breaker.
- **Automatic safety shutdown system** monitors the water temperature, engine oil pressure, overspeed and overcrank. Warning lights indicate abnormal conditions.
- **Complete power panel.** Fully covered; three-phase terminals and single phase receptacles allow fast and convenient hookup for most applications including temporary power boxes, tools and lighting equipment. All are NEMA standard.
- **Simultaneous single and three phase power.**
- **Voltage selector switch** allows easy to change voltages as your applications require.
- **EPA emissions certified** - Interim Tier 4 emissions compliant.



DCA45USI

Ultra-Silent Series

Specifications

Generator Specifications

Design	Revolving field, self-ventilated, drip-proof, single bearing
No. of Poles	4-pole
Excitation	Brushless with AVR
Standby Output	40 KW (50 KVA)
Prime Output	36 KW (45 KVA)
Generator RPM	1800
Voltage — 3Ø	208, 220, 240, 416, 440, 480V Switchable
Voltage — 1Ø	120, 127, 139, 240, 254, 277V Switchable
Armature Connection	Star with neutral / Zig Zag
Voltage Regulation (No load to full load)	±0.5%
Power Factor	0.8
Frequency	60 Hz
Frequency Regulation: No Load to Full Load	Isochronous under varying loads from no load to 100% rated load
Frequency Regulation: Steady State	±0.25% of mean value for constant loads from no load to full load.
Insulation	Class H
Sound Level dB(A) Full load at 23 feet	57

Cooling System

Fan Load	0.54 hp (0.4 KW)
Coolant Capacity (with radiator)	3.15 gallons (12 liters)
Coolant Flow Rate (per minute)	15.4 gallons (58.5 liters)
Heat Rejection to Coolant (per minute)	1640 Btu (1.73 MJ)
Heat Rejection to Room (per minute)	379 Btu (0.40 MJ)
Maximum Coolant Friction Head	6.1 psi (42 kPa)
Maximum Coolant Static Head	21 feet (6.4 meters)
Ambient Temperature Rating	104°F (40°C)

Air

Combustion Air	99 cfm (2.8 m³/min)
Maximum Air Cleaner Restriction	25 in. H ₂ O (6.25 kPa)
Alternator Cooling Air	526 cfm (14.9 m³/min)
Radiator Cooling Air	1472 cfm (41.7 m³/min)

Exhaust System

Gas Flow (full load)	233 cfm (6.6 m³/min)
Gas Temperature	896 °F (480 °C)
Maximum Back Pressure	53.2 in. H ₂ O (13.3 kPa)

Engine Specifications

Make / Model	Isuzu / BU-4JJ1T
Emissions	EPA Interim Tier 4 Certified
Starting System	Electric
Design	4-cycle, water cooled, direct injection, turbocharged
Displacement	183.0 in ³ (2999 cc)
No. cylinders	4
Bore x Stroke (mm)	95.4 x 104.9
Gross Engine Power Output	67.1 hp (50.0 kW)
BMEP	136 psi (940 kPa)
Piston Speed	1237 ft/min (6.29 m/s)
Compression Ratio	17.5 : 1
Engine Speed	1800 rpm
Overspeed Limit	2100 rpm
Oil Capacity	3.83 gallons (14.5 liters)
Battery	12V 72Ah x 1

Amperage

Rated Voltage	Maximum Amps
1Ø 120 Volt	100 Amps (4 wire)
1Ø 240 Volt	50 Amps (4 wire)
3Ø 240 Volt	108 Amps
3Ø 480 Volt	54 Amps
Main Line Circuit Breaker Rating	110 Amps
Over Current Relay Trip Set Point	54 Amps

Warranty*

Isuzu Engine

12 months from date of purchase with unlimited hours or 24 months from date of purchase with 2000 hours (whichever occurs first).

Generator

24 months from date of purchase or 2000 hours (whichever occurs first).

Trailer

12 months excluding normal wear items.

*Refer to the express written, one-year limited warranty sheet for additional information.

Fuel System

Maximum Fuel Flow (per hour)	16 gallons (61 liters)	
Maximum Inlet Restriction (Hg)	5.9 in. (150 mm)	
Fuel Tank Capacity	79.2 gallons (300 liters)	
Fuel Consumption	gph	lph
At full load	2.7	10.4
At 3/4 load	2.1	8.0
At 1/2 load	1.5	5.6
At 1/4 load	0.9	3.4

Generator is not intended for use in enclosed areas or where free flow of air is restricted.

Backfeed to a utility system can cause electrocution and/or property damage. Do not connect to any building's electrical system except through an approved device.

Specifications are subject to change without notice.



DCA45USI

Ultra-Silent Series

MQ POWER DECIBEL LEVELS

Our soundproof housing allows substantially lower operating noise levels than competitive designs. WhisperWatts are at home on construction sites, in residential neighborhoods, and at hospitals — just about anywhere.

- 90 — Subway / truck traffic
- 80 — Average city traffic
- 70 — Inside car at 60 mph
- 60 — Air conditioner at 20 feet
- 58.0 — Ultra-Silent at 23 feet
- 50 — Normal conversation



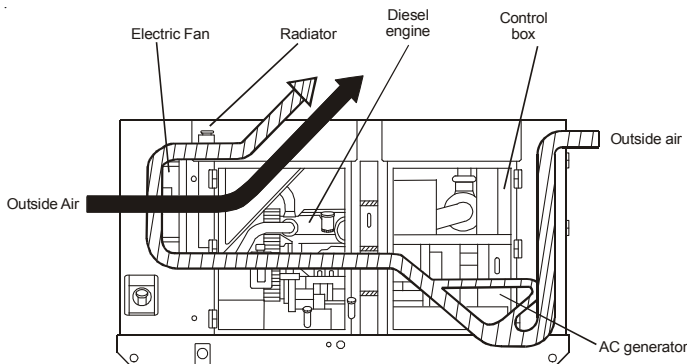
Ultra-Silent Features

Low Noise Muffler— Large capacity low noise muffler minimizes exhaust sound.

Soundproof Casing— The new design divides the cabinet into three sections, separating the engine, muffler and radiator for more efficient cooling and reduces noise from the engine and fans.

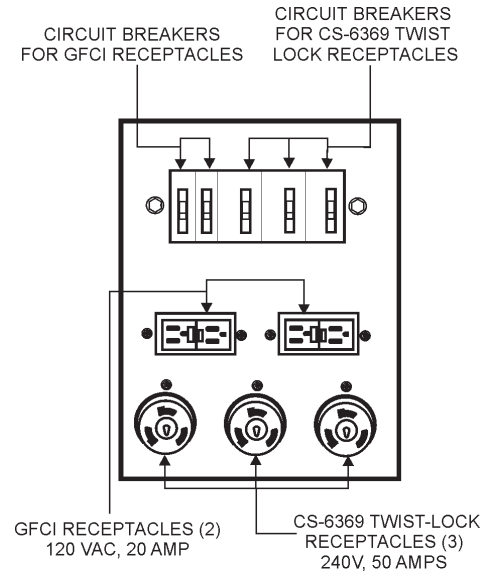
New Cooling System— An advanced design uses two separate air intake systems to cool the generator. The engine fan draws air in to cool the engine and generator housing while a second electric fan directly cools the radiator. With less air being drawn into the generator through each fan, considerably less noise is produced through the top of the generator.

Environmental Design — Constructed using an integrated environmental skid and fuel tank. This design fully contains fuel leakage and any liquid that might leak from the engine such as lube oil or radiator coolant. All potentially hazardous liquids are contained without contaminating the surrounding area.



Flow of Cooling Air

Generator Output Panel



Optional Control Features

- Emergency Stop Switch.

Audible Alarm — alerts operator of abnormal conditions.

Optional Generator Features

Battery Charger — provides fully automatic and self-adjusting charging to the generator's battery system.

Jacket Water Heater — for easy starting in cold weather climates.

Special Batteries — long life batteries provide extra engine cranking power.

Spring Isolators — provides extra vibration protection for standby applications.

Low Coolant Level Shutdown — provides protection from critically low coolant levels. Includes control panel warning light.

Trailer Mounted Package — highway legal trailer with electronic or surge brakes with single or tandem axle configuration.

Optional Distribution Devices

Cam-Lock connectors.

Pin & Sleeve Connectors.

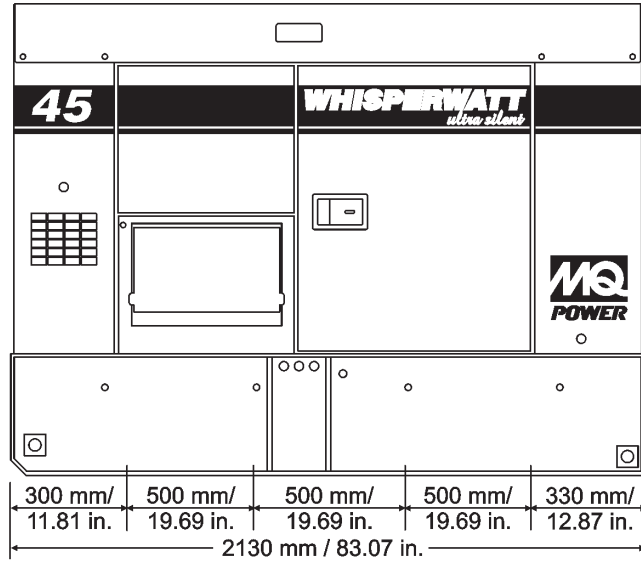
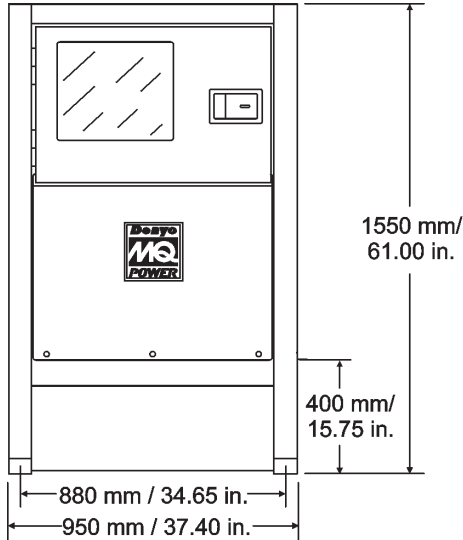
AC Output Cable.



DCA45USI

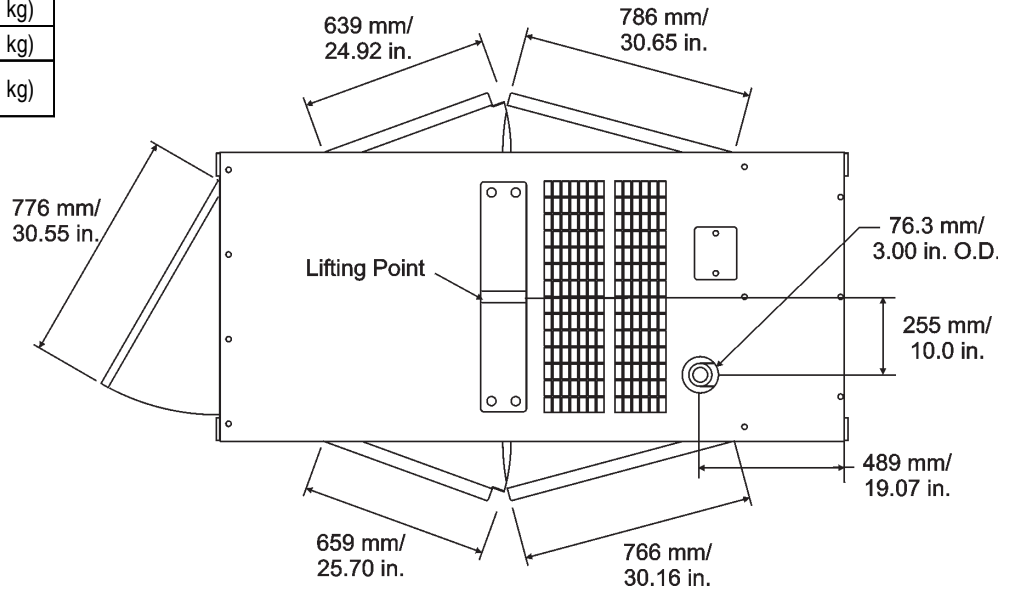
Ultra-Silent Series

Dimensions



Weight

Dry Weight	2888 lbs. (1310 kg)
Wet Weight	3499 lbs. (1587 kg)
Max. Lifting Point Capacity	6960 lbs. (3157 kg)



Units manufactured by Denyo Manufacturing Corporation

Your MQ Power dealer is:



MQ POWER
POST OFFICE BOX 6254
CARSON, CA 90749
310-537-3700 • 800-883-2551
FAX: 310-632-2656
E-MAIL: mqpower@multiquip.com
WEBSITE: www.mqpower.com