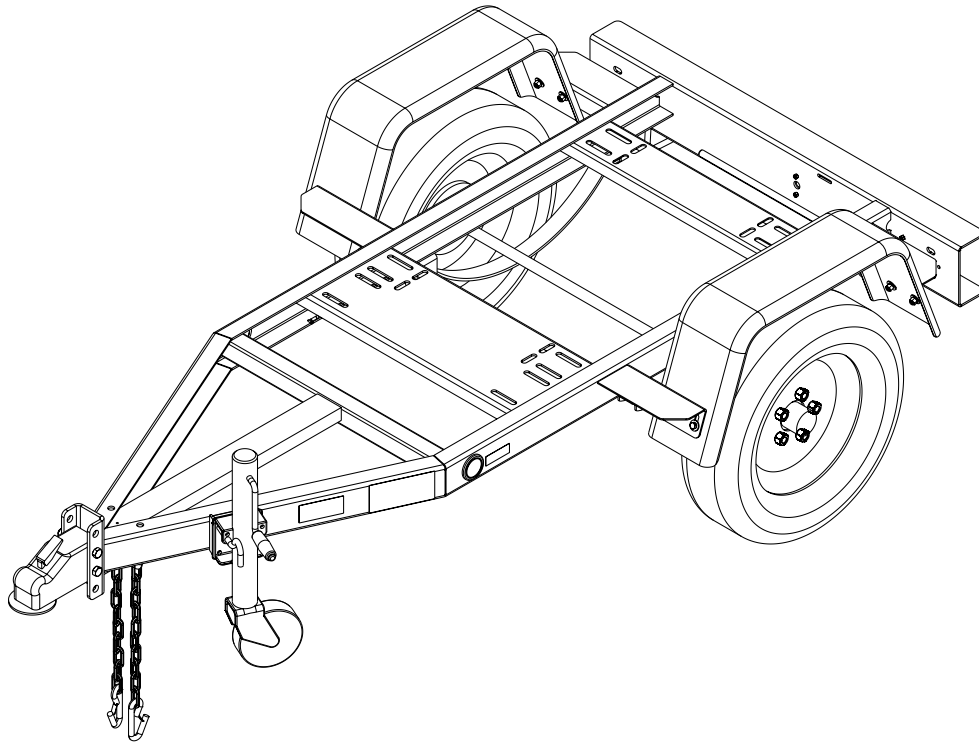




# TRLR10W

## MQ Single Axle Trailer



<i>TRLR10W Technical Data</i>	
Gross Vehicle Weight Rating (GVWR) — 1,900 lbs (862 kg)	Tire Size — ST175/80D13 LR-C
Gross Axle Weight Rating (GAWR) — 2,000 lbs (907 kg) (ea.)	Wheel Bolt Pattern — 5 Lug on 4.5 in
Coupler Rating — See coupler options on back page.	Tire Load Rating — 1,360 lbs/617 kg (ea.)

### STANDARD TRAILER EQUIPMENT

- Fits MQ Generator Model DA7000; MQ Welder Models SDW225, DLW300, DLW330; and MQ Pump Model QP4TZ
- Single-axle Design with Leaf Spring Suspension
- H.D. Welded Steel Frame Construction
- Formed Channel for Generator Mounting and Support
- 4-hole Channel Allows 3-position, Adjustable Coupler Height; 4-inches O/A
- Tongue Mounted Swivel Jack with Caster (rated 1,200 pound lift)
- Replaceable, Bolt-on Steel Fenders
- Powder Coat Paint Process including: Frame, Channel, and Fenders
- D.O.T. Approved Tail Lamps, Stop Lamps, Turn Signal Lamps, Side Marker Lamps




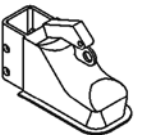
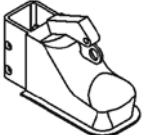
# TRLR10W

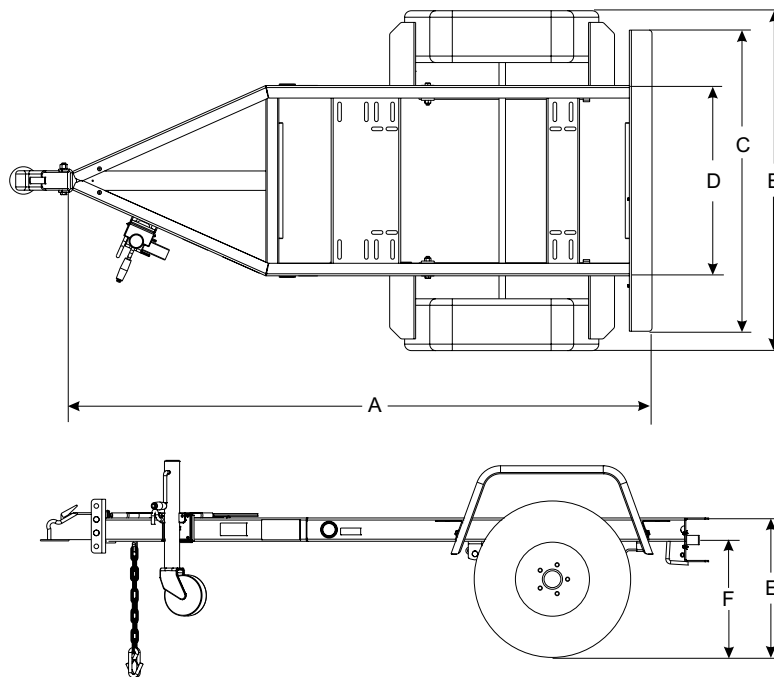
## MQ Single Axle Trailer

### OPTIONAL TRAILER EQUIPMENT

- Adjustable 2-inch Ball Coupler
- Adjustable 2 5/16-inch Ball Coupler
- Adjustable 3-inch Pintle Eye Coupler
- Anti-Theft Wheel Lock

### Coupler Options

3" Pintle Eye 20,000 lbs. (9,072 kg)  #EE36264	
2" Ball Coupler 6,000 lbs. (2,722 kg) #29228  10,000 lbs. (4,536 kg) #EE43254	
2-5/16" Ball Coupler 14,000 lbs. (6,350 kg)  #EE43253	



Trailer Weight
322 lbs. (146 kg)

Trailer Dimensions					
A	B	C	D	E	F
91.50 in. (232.41 cm)	52.00 in. (132.08 cm)	46.50 in. (118.11 cm)	29.25 in. (74.30 cm)	18.75 in. (47.63 cm)	12.25 in. (31.12 cm)

Your MultiQuip dealer is:

