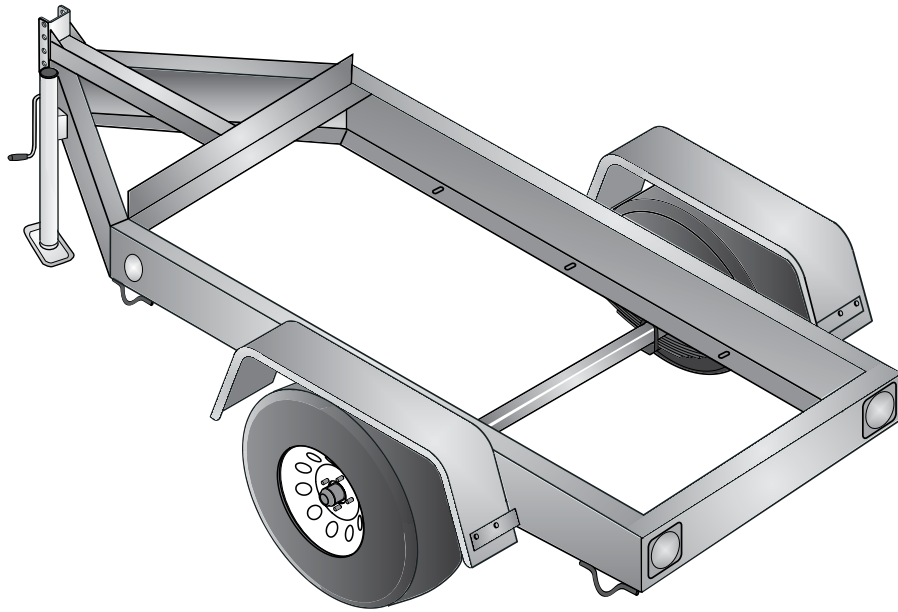




TRLR25US

MQ POWER Single Axle Trailer



TRLR25US Technical Data	
Gross Vehicle Weight Rating (GVWR) — 2,720 lbs. (1,234 kg)	Tire Size — ST175/80D13 LR-C
Gross Axle Weight Rating (GAWR) — 3,500 lbs. (1,588 kg)	Wheel Bolt Pattern — 5 Lug
Coupler Rating — See coupler options on back page.	Tire Load Rating — 1,360 lbs/617 kg (ea.)

STANDARD TRAILER EQUIPMENT

- Fits MQ Power Generator Model DCA25USI
- Single-axle Design with Leaf Spring Suspension
- H.D. Welded Steel Frame Construction
- Formed Channel for Generator Mounting and Support
- 4-hole Channel Allows 3-position, Adjustable Coupler Height; 4-inches O/A
- Tongue Mounted Swivel Jack (rated 2,000 lbs./907 kg lift)
- Replaceable, Bolt-on Steel Fenders
- Powder Coat Paint Process including: Frame, Channel, Actuator and Fenders
- D.O.T. Approved Tail Lamps, Stop Lamps, Turn Signal Lamps, Side Marker Lamps



TRLR25US

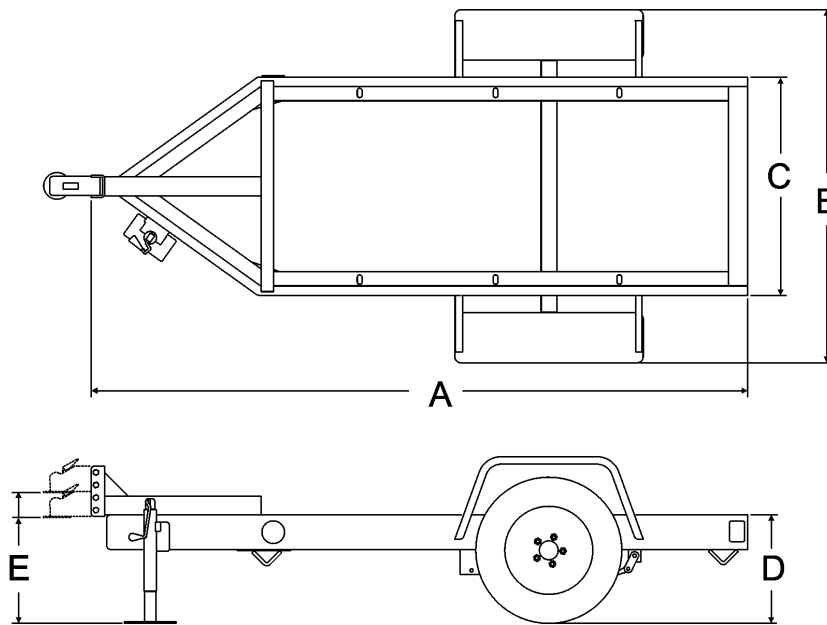
MQ POWER Single Axle Trailer

OPTIONAL TRAILER EQUIPMENT

- Pintle Eye 3-inch
- Adjustable 2-inch Ball Coupler
- Adjustable 2 5/16-inch Ball Coupler
- Rear Stabilizer Stands
- Spare Tire with Locking Mount
- Anti-Theft Wheel Lock

Coupler Options

3" Pintle Eye 20,000 lbs. (9,072 kg) #EE36264	
2" Ball Coupler 6,000 lbs. (2,722 kg) #29228	
10,000 lbs. (4,536 kg) #EE43254	
2-5/16" Ball Coupler 14,000 lbs. (6,350 kg) #EE43253	



Trailer Dimensions					
A	B	C	D	E	
				MIN	MAX
104.5 in (2,654 mm)	56 in (1,422 mm)	35 in (889 mm)	17 in (432 mm)	17 in (432 mm)	21 in (533 mm)
Trailer Weight					
406 lbs. (184 kg)*					

*Weight is approximate

Your Multiquip dealer is:



MULTIQIP
POST OFFICE BOX 6254
CARSON, CA 90749
310-537-3700 • 800-883-2551
FAX: 310-604-3831
E-MAIL: sales@multiquip.com
WEBSITE: www.multiquip.com