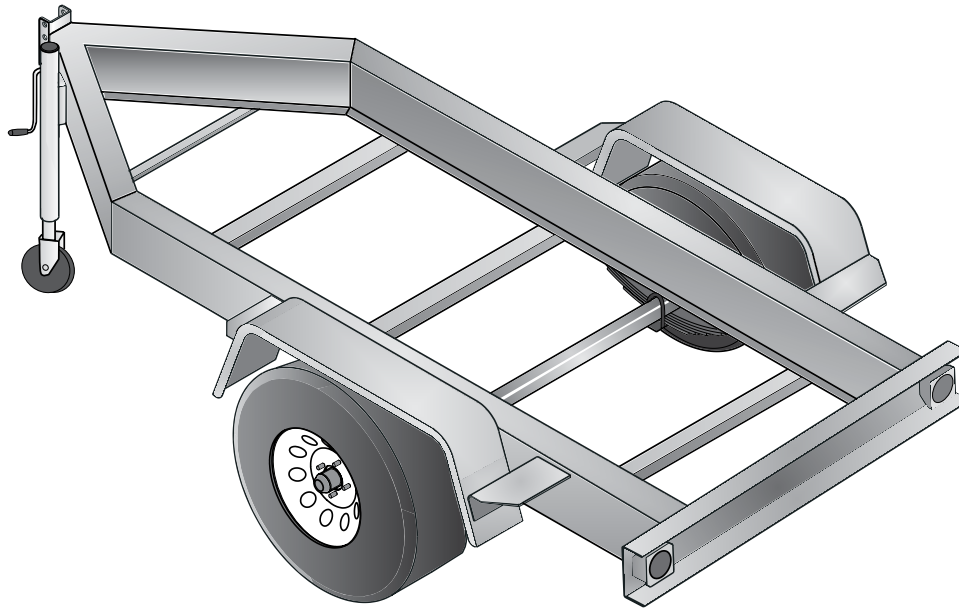




# TRLR50

## MQ POWER Single Axle Trailer



| <i>TRLR50 Technical Data</i>                                 |   |
|--|---|
| Gross Vehicle Weight Rating (GVWR) — 2,700 lbs (1225 kg)     | Tire Size — ST175/80D13 LR-C              |
| Gross Axle Weight Rating (GAWR) — 3,500 lbs (1,588 kg) (ea.) | Wheel Bolt Pattern — 5 Lug on 4.5 in      |
| Coupler Rating — See coupler options on back page.           | Tire Load Rating — 1,360 lbs/617 kg (ea.) |

### STANDARD TRAILER EQUIPMENT

- Fits MQ Power Generator Models DCA20SPX, DCA25SSI
- Single-axle Design with Leaf Spring Suspension
- H.D. Welded Steel Frame Construction
- Formed Channel for Generator Mounting and Support
- 4-hole Channel Allows 3-position, Adjustable Coupler Height; 4-inches O/A
- Tongue Mounted Swivel Jack with Caster (rated 1,000 lb lift)
- Replaceable, Bolt-on Steel Fenders
- Powder Coat Paint Process including: Frame, Channel, Actuator & Fenders
- D.O.T. Approved Tail Lamps, Stop Lamps, Turn Signal Lamps, Side Marker Lamps




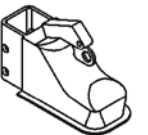
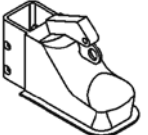
# TRLR50

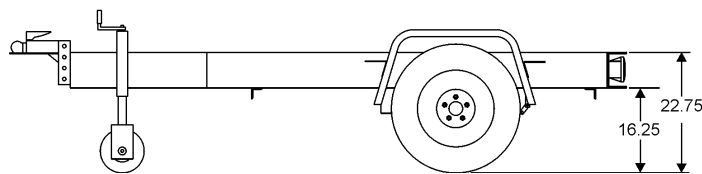
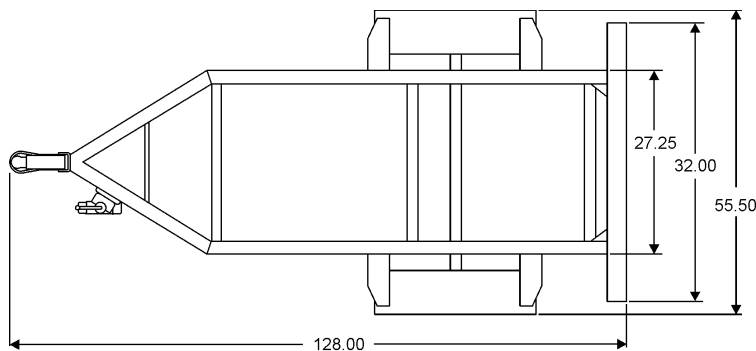
## MQ POWER Single Axle Trailer

### OPTIONAL TRAILER EQUIPMENT

- Adjustable 2-inch Ball Coupler
- Adjustable 2 5/16-inch Ball Coupler
- Adjustable 3-inch Pintle Eye Coupler
- Rear Stabilizer Stands
- Tongue Mounted Utility Storage Box
- Spare Tire with Locking Mount
- Anti-Theft Wheel Lock

### Coupler Options

|  |   |
|--|---|
| 3" Pintle Eye<br>20,000 lbs. (9,072 kg)<br>#EE36264        |  |
| 2" Ball Coupler<br>6,000 lbs. (2,722 kg)<br>#29228         |  |
| 10,000 lbs. (4,536 kg)<br>#EE43254                         |   |
| 2-5/16" Ball Coupler<br>14,000 lbs. (6,350 kg)<br>#EE43253 |  |



|                       |
|-----------------------|
| <b>Trailer Weight</b> |
| 335 lbs. (152 kg)     |

Your Multiquip dealer is:

