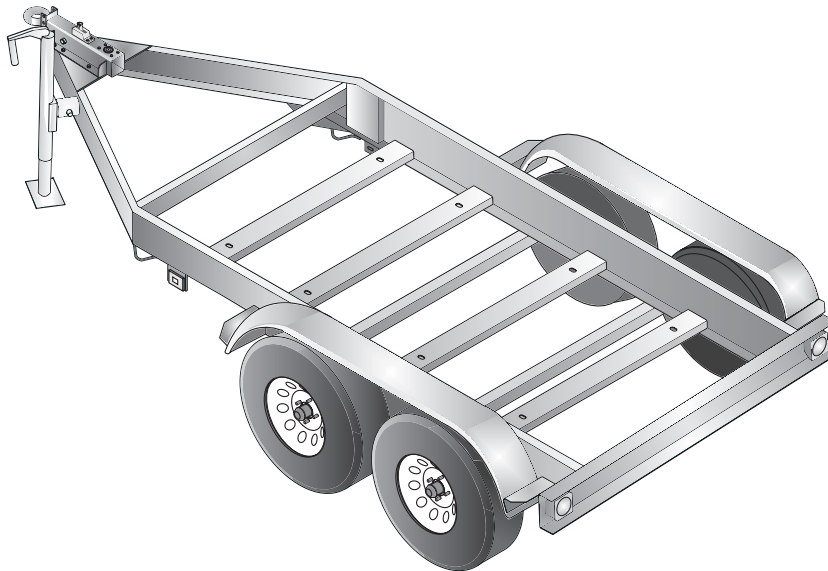




# TRLR70US Tandem Axle Trailer



TRLR70US Technical Data			
Gross Vehicle Weight Rating (GVWR)	7,000 lbs	Tire Size	ST205/75D15 LR-C
Gross Axle Weight Rating (GAWR)	3,500 lbs (ea.)	Wheel Bolt Pattern	5 Lug on 4.5 in
Actuator Rating	8,000 lbs	Tire Load Rating	1,820 lbs (ea.)
Coupler Rating	See Coupling Options on reverse page	Dimensions (LxWxH)	See Dimensions on reverse page

## Standard Trailer Features

- Fits MQ Power Generator Model DCA45USI-XF, DCA70USI
- Tandem-axle Design with Torsion Type Suspension
- H.D. Welded Steel Frame Construction
- Structural Channel for Generator Mounting and Support
- Replaceable, Bolt-on Hydraulic Brake Actuator
- Surge Hydraulic-actuated Drum Brakes (all axles)
- Hydraulic Uni-servo Drum Brakes with Free-backing Plates - 10-inch Cluster
- D.O.T. Steel Brake Lines, Brass Tees & Rubber Hydraulic Brake Hoses
- 4-hole Channel Allows 3-position, Adjustable Coupler Height; 4-inches O/A
- Tongue Mounted Swivel Jack with Flat Disc-foot (rated 3,000 pound lift)
- Replaceable, Bolt-on Steel Fenders
- Serviceable Torsion-axle Swing Arms
- Powder Coat Paint Process including: Frame, Channel, Actuator & Fenders
- D.O.T. Approved Tail Lamps, Stop Lamps, Turn Signal Lamps, Side Marker Lamps
- Weatherproof, Rubber Armored, 3-piece Trailer Light Wiring Harness


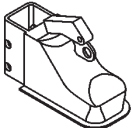
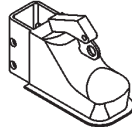


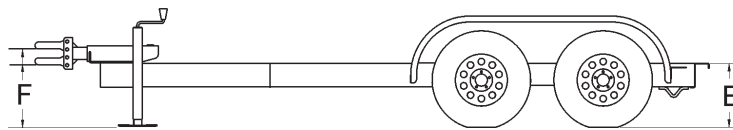
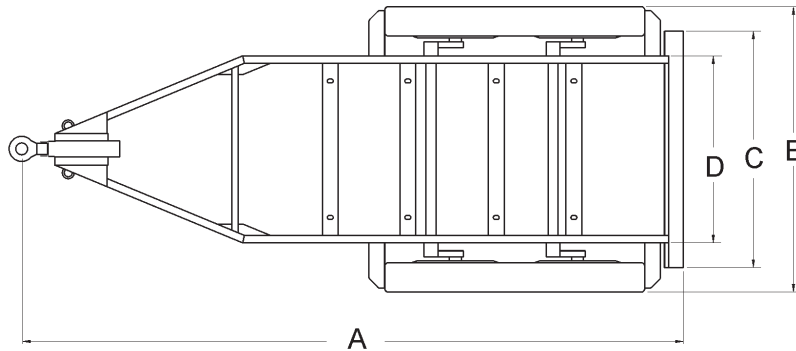
# TRLR70US Tandem Axle Trailer

## Optional Trailer Equipment

- Bolt-on Electric Brake Coupler Plate with Electric-actuated Drum Brakes (all axles)
- Electric Breakaway Safety Device (electric-actuated brakes)
- Adjustable 2-inch Ball Coupler
- Adjustable 2 5/16-inch Ball Coupler
- Adjustable 3-inch Pintle-eye Coupler
- Rear Stabilizer Stands
- Tongue Mounted Utility Storage Box
- Anti-Theft Wheel Lock
- Spare Tire with Locking Mount

## Coupler Options

3" Pintle Eye 20,000 lbs.	
#EE36264	
2" Ball Coupler 10,000 lbs.	
#EE43254	
2-5/16" Ball Coupler 14,000 lbs.	
#EE43253	



Trailer Dimensions						
A	B	C	D	E	F	
					Min	Max
164.4 in.	72.5 in.	60 in.	47.5 in.	28.25 in.	19.5	23.5
Trailer Weight						
980 lbs (445 kg)*						

\* Weights are approximate

Your MQ Power dealer is:



## MQ POWER

POST OFFICE BOX 6254  
CARSON, CA 90749  
310-537-3700 • 800-421-1244  
FAX: 310-632-2656  
E-MAIL: [mqpower@multiquip.com](mailto:mqpower@multiquip.com)  
WEBSITE: [www.mqpower.com](http://www.mqpower.com)