

PARTS MANUAL



***ESSICK* SERIES
MODELS**

EM-70S (STEEL)

EM-70P (PLASTIC)

**PLASTER AND MORTAR MIXER
(GASOLINE ENGINE/ELECTRIC MOTOR)**

Revision #8 (03/19/10)

To find the latest revision of this
publication, visit our website at:
www.multiquip.com



THIS MANUAL MUST ACCOMPANY THE EQUIPMENT AT ALL TIMES.



CALIFORNIA — Proposition 65 Warning

Engine exhaust and some of its constituents, and some dust created by power sanding, sawing, grinding, drilling and other construction activities contains chemicals known to the State of California to cause cancer, birth defects and other reproductive harm. Some examples of these chemicals are:

- Lead from lead-based paints.
- Crystalline silica from bricks.
- Cement and other masonry products.
- Arsenic and chromium from chemically treated lumber.

Your risk from these exposures varies, depending on how often you do this type of work. To reduce your exposure to these chemicals: **ALWAYS** work in a well ventilated area, and work with approved safety equipment, such as dust masks that are specially designed to filter out microscopic particles.

EM-70 S/P PLASTER/MORTAR MIXER — TABLE OF CONTENTS

MQ-ESSICK — EM-70S/P

Plaster/Mortar Mixer

Proposition 65 Warning	2
Table Of Contents	4
Parts Ordering Procedures	5
Explanation of Code In Remarks Column	6
Suggested Spare Parts	7

Component Drawings

Nameplate and Decals	8-9
Frame Assembly	10-11
Paddle Shaft Assembly	12-13
Steel Drum Assembly	14-15
Plastic Drum Assembly	16-17
Drum & Paddle Shaft Complete Assy. (Poly)	18-19
Drum & Paddle Shaft Complete Assy. (Steel) ...	20-21
Axle Assembly	22-23
Engine Assembly	24-25
Electric Motor Assembly	26-27
Cabinet Assembly	28-29

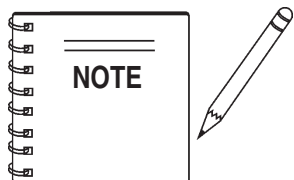
HONDA GX160K1HX2 ENGINE

Air Cleaner Assy.	30-31
Camshaft Assy.	32-33
Carburetor Assy.	34-35
Control Assy.	36-37
Crankcase Cover Assy.	38-39
Crankshaft Assy.	40-41
Cylinder Barrel Assy.	42-43
Cylinder Head Assy.	44-45
Fan Cover Assy.	46-47
Flywheel Assy.	48-49
Fuel Tank Assembly	50-51
Ignition Coil Asssembly	52-53
Muffler Assembly	54-55
Piston Rings Asssembly	56-57
Recoil Starter Asssembly	58-59
1/6 Gear Reduction Asssembly	60-61
Labels Asssembly	62-63

HONDA GX240K1HA2 ENGINE

Air Cleaner Assembly	64-65
Camshaft Assembly	66-67
Carburetor Assembly	68-69
Control Assembly	70-71
Crankcase Cover Assembly	72-73
Crankshaft Assembly	74-75
Cylinder Barrel Assembly	76-77
Cylinder Head Assembly	78-79
Fan Cover Assembly	80-81
Flywheel Assembly	82-83
Muffler Assembly	84-85
Fuel Tank Assembly	86-87
Ignition Coil	88-89
Piston Assembly	90-91
Recoil Starter	92-93
Gear Reduction Assembly	94-95
Label Assembly	96-97

Terms and Conditions of Sale	98
------------------------------------	----



**Specifications and are
subject to change
without notice.**

PARTS ORDERING PROCEDURES

Ordering parts has never been easier! Choose from three easy options:

Effective:
January 1st, 2006

www.multiquip.com



Order via Internet (Dealers Only):

Order parts on-line using Multiquip's SmartEquip website!

- View Parts Diagrams
- Order Parts
- Print Specification Information



If you have an MQ Account, to obtain a Username and Password, E-mail us at: parts@multiquip.com.

To obtain an MQ Account, contact your District Sales Manager for more information.

Goto www.multiquip.com and click on **Order Parts** to log in and save!

Use the **internet** and qualify for a **5% Discount** on *Standard orders* for all orders which include complete part numbers.*

Note: Discounts Are Subject To Change



Order via Fax (Dealers Only):

All customers are welcome to order parts via Fax.

Domestic (US) Customers dial:
1-800-6-PARTS-7 (800-672-7877)

Fax your order in and qualify for a **2% Discount** on *Standard orders* for all orders which include complete part numbers.*

Note: Discounts Are Subject To Change



Order via Phone: Domestic (US) Dealers Call:
1-800-427-1244

Non-Dealer Customers:

Contact your local Multiquip Dealer for parts or call 800-427-1244 for help in locating a dealer near you.



International Customers should contact their local Multiquip Representatives for Parts Ordering information.

When ordering parts, please supply:

- | | |
|---|--|
| <input type="checkbox"/> Dealer Account Number | <input type="checkbox"/> Specify Preferred Method of Shipment: |
| <input type="checkbox"/> Dealer Name and Address | <input checked="" type="checkbox"/> UPS/Fed Ex <input checked="" type="checkbox"/> DHL |
| <input type="checkbox"/> Shipping Address (if different than billing address) | <input type="checkbox"/> Priority One <input checked="" type="checkbox"/> Truck |
| <input type="checkbox"/> Return Fax Number | <input type="checkbox"/> Ground |
| <input type="checkbox"/> Applicable Model Number | <input type="checkbox"/> Next Day |
| <input type="checkbox"/> Quantity, Part Number and Description of Each Part | <input type="checkbox"/> Second/Third Day |

NOTICE

All orders are treated as *Standard Orders* and will ship the same day if received prior to 3PM PST.

WE ACCEPT ALL MAJOR CREDIT CARDS!



EXPLANATION OF CODE IN REMARKS COLUMN

The following section explains the different symbols and remarks used in the Parts section of this manual. Use the help numbers found on the back page of the manual if there are any questions.

NOTICE

The contents and part numbers listed in the parts section are subject to change **without notice**. Multiquip does not guarantee the availability of the parts listed.

SAMPLE PARTS LIST

NO.	PART NO.	PART NAME	QTY.	REMARKS
1	12345	BOLT.....	1	INCLUDES ITEMS W/%
2%		WASHER, 1/4 IN.....		NOT SOLD SEPARATELY
2%	12347	WASHER, 3/8 IN....	1	MQ-45T ONLY
3	12348	HOSE		A/R ...MAKE LOCALLY
4	12349	BEARING	1	S/N 2345B AND ABOVE

NO. Column

Unique Symbols — All items with same unique symbol

(@, #, +, %, or >) in the number column belong to the same assembly or kit, which is indicated by a note in the “Remarks” column.

Duplicate Item Numbers — Duplicate numbers indicate multiple part numbers, which are in effect for the same general item, such as different size saw blade guards in use or a part that has been updated on newer versions of the same machine.

NOTICE

When ordering a part that has more than one item number listed, check the remarks column for help in determining the proper part to order.

PART NO. Column

Numbers Used — Part numbers can be indicated by a number, a blank entry, or TBD.

TBD (To Be Determined) is generally used to show a part that has not been assigned a formal part number at the time of publication.

A blank entry generally indicates that the item is not sold separately or is not sold by Multiquip. Other entries will be clarified in the “Remarks” Column.

QTY. Column

Numbers Used — Item quantity can be indicated by a number, a blank entry, or A/R.

A/R (As Required) is generally used for hoses or other parts that are sold in bulk and cut to length.

A blank entry generally indicates that the item is not sold separately. Other entries will be clarified in the “Remarks” Column.

REMARKS Column

Some of the most common notes found in the “Remarks” Column are listed below. Other additional notes needed to describe the item can also be shown.

Assembly/Kit — All items on the parts list with the same unique symbol will be included when this item is purchased.

Indicated by:

“INCLUDES ITEMS W/(unique symbol)”

Serial Number Break — Used to list an effective serial number range where a particular part is used.

Indicated by:

“S/N XXXXX AND BELOW”

“S/N XXXX AND ABOVE”

“S/N XXXX TO S/N XXX”

Specific Model Number Use — Indicates that the part is used only with the specific model number or model number variant listed. It can also be used to show a part is NOT used on a specific model or model number variant.

Indicated by:

“XXXXX ONLY”

“NOT USED ON XXXX”

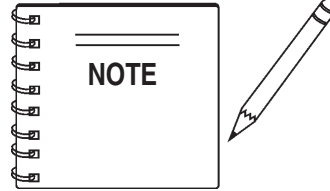
“Make/Obtain Locally” — Indicates that the part can be purchased at any hardware shop or made out of available items. Examples include battery cables, shims, and certain washers and nuts.

“Not Sold Separately” — Indicates that an item cannot be purchased as a separate item and is either part of an assembly/kit that can be purchased, or is not available for sale through Multiquip.

EM-70 S/P MIXER— SUGGESTED SPARE PARTS

EM-70P/S PLASTER AND MORTAR MIXER 1 TO 3 UNITS WITH HONDA GX160K1HX2 AND GX240K1HA2 ENGINES

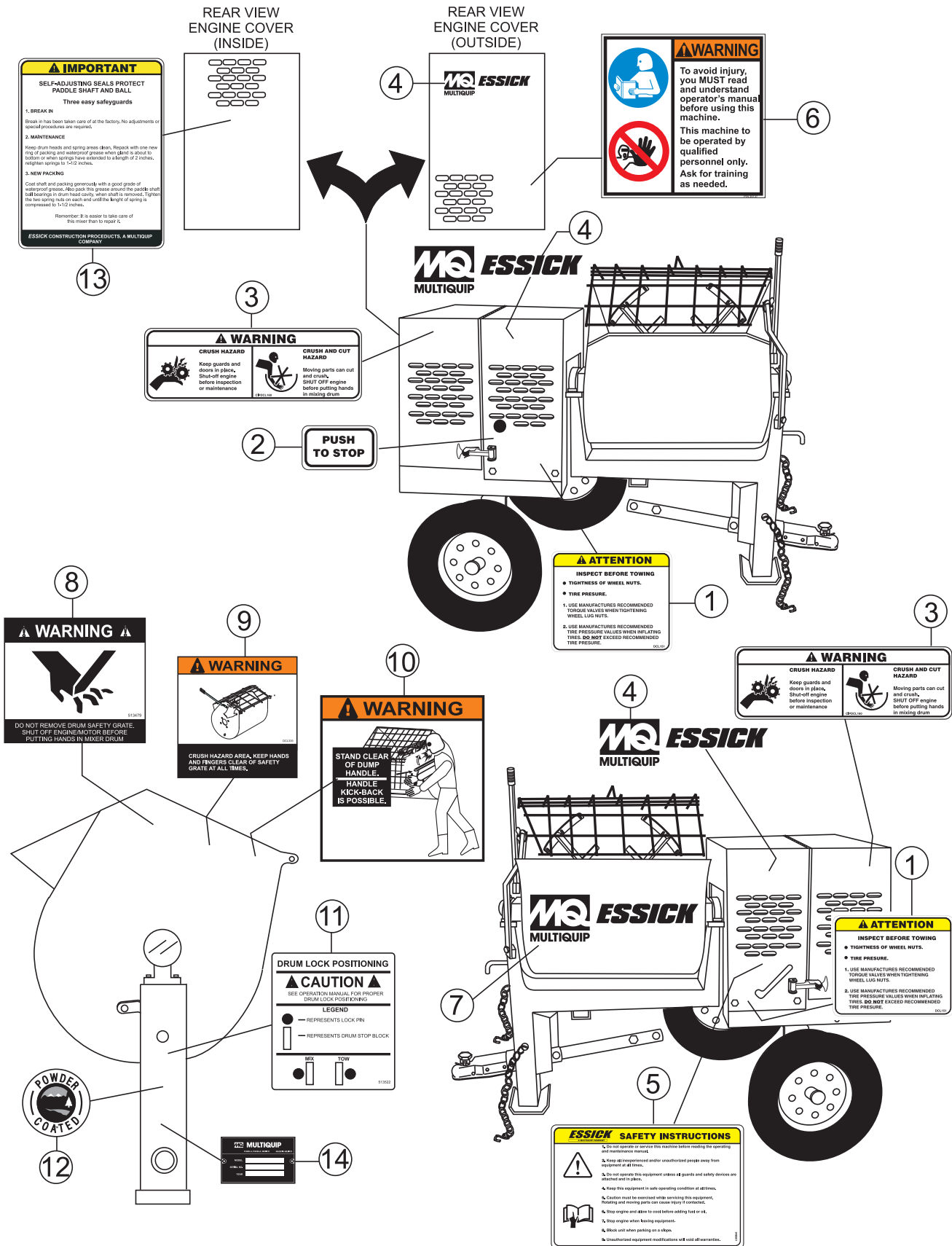
Qty...	P/N	Description
6	508473	V-BELT A37 HONDA ENGINE, 5.0 HP
6	505834	V-BELT A36 HONDA ENGINE, 8.0 HP
6	491112	V-BELT A40 ELECTRIC MOTOR
2	EM914288	OIL SEAL, AXLE
4	EM903113	BEARING, CONE, AXLE
4	EM903112	BEARING, CUP, AXLE
4	507844	SPRING COMPRESSION
4	EM200285	GLAND, PACKING HALF
12	EM200301	RING, SHAFT PACKING
4	505065	CARRIAGE BOLT 3/8" NC X 3" (STEEL)
3	17210ZE2515	ELEMENT, AIR CLEANER
3	9807956846	SPARK PLUG
1	28462ZE2W11	ROPE, RECOIL STARTER
1	17620ZH7023	CAP, FUEL TANK
2	EM203010	KIT, WIPER BLADES (STEEL DRUM)
2	EM204624	KIT, WIPER BLADES (PLASTIC DRUM)



Part numbers on this Suggested Spare Parts List may supersede/replace the P/N's shown in the test pages of this manual.

EM-70 S/P MIXER— NAMEPLATE AND DECALS

NAMEPLATE AND DECALS



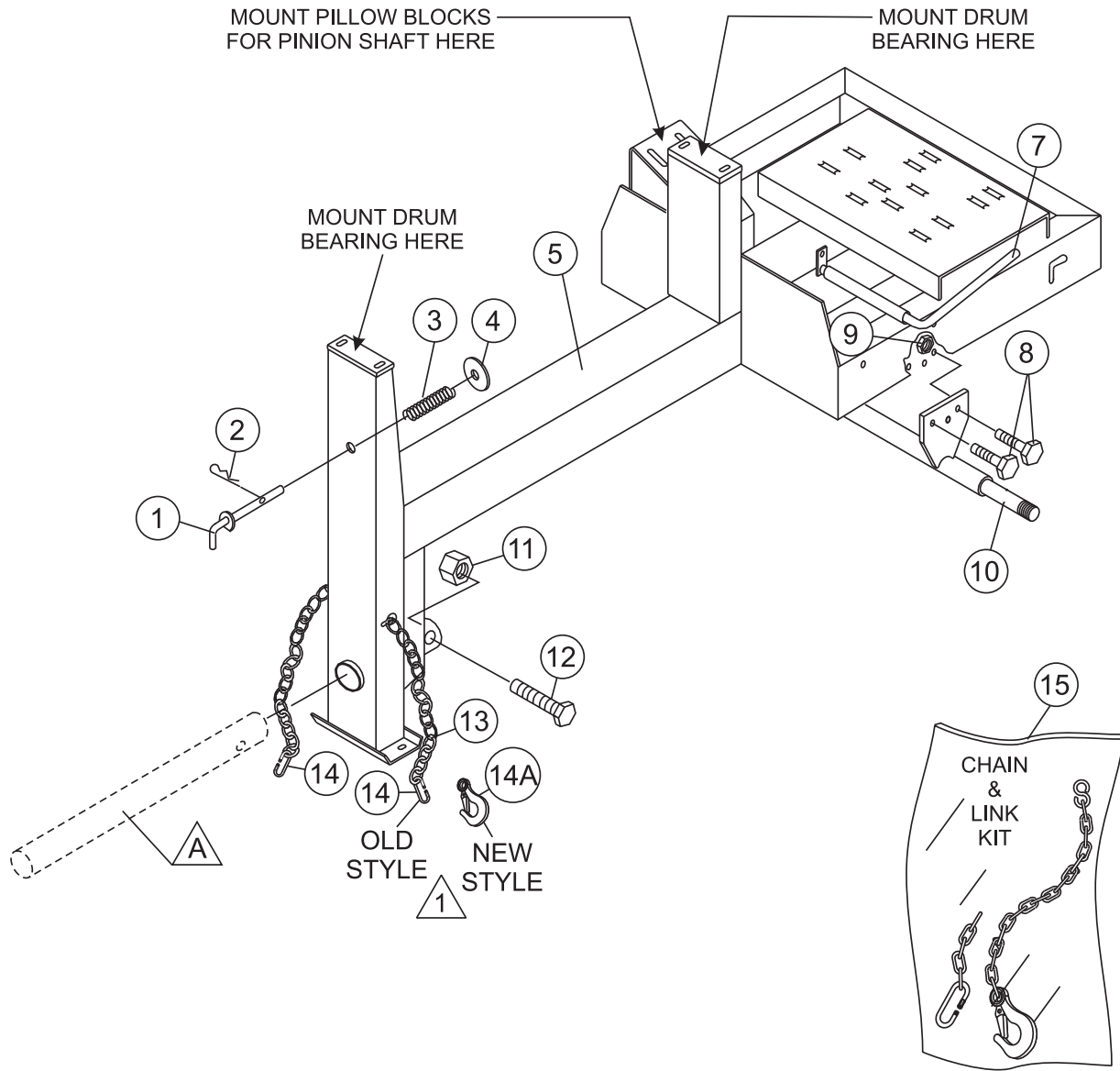
EM-70 S/P MIXER— NAMEPLATE AND DECALS

NAMEPLATE AND DECALS

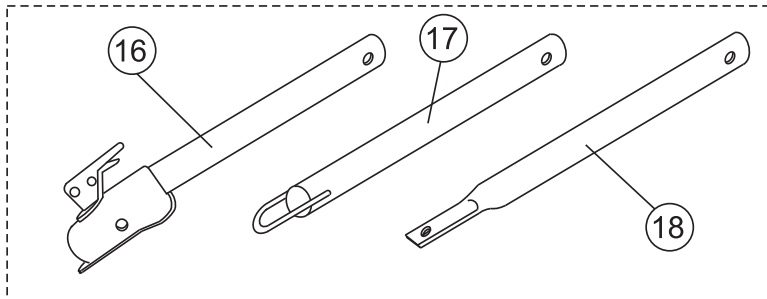
<u>NO</u>	<u>PART NO</u>	<u>PART NAME</u>	<u>QTY.</u>	<u>REMARKS</u>
1	DCL151	DECAL, TOWING INSTRUCTIONS	2	
2	EM948630	DECAL, PUSH TO STOP	1	
3	CIPDCL160	DECAL, CRUSH WARNING	2	
4	EM510891	DECAL, ESSICK LOGO (SMALL)	3	
5	948501	DECAL, SAFETY INSTRUCTIONS	1	
6	35137	DECAL, WARNING READ	1	
7	EM510883	DECAL, ESSICK LOGO (LARGE)	3	
9	513479	DECAL, WARNING SAFETY GRATE	1	
9	DCL335	DECAL, CRUSH WARNING SAFETY GRATE	1	
10	DCL280	DECAL, WARNING DUMP HANDLE	1	
11	513522	DECAL, DRUM LOCK	1	
12	13118	DECAL, POWDER COATED	1	
13	948121	DECAL, SELF-ADJUSTING SEALS	1	
14		NAMEPLATE	1 CONTACT PARTS DEPT.

EM-70 S/P MIXER— FRAME ASSY.

FRAME ASSY.



A OPTIONAL TOW BARS



Quantity of item 14, Connector Link, changed from 2 to 1 in January 2006. Item 14A, Clevis Safety Hook, replaces discontinued Connector Link.

1

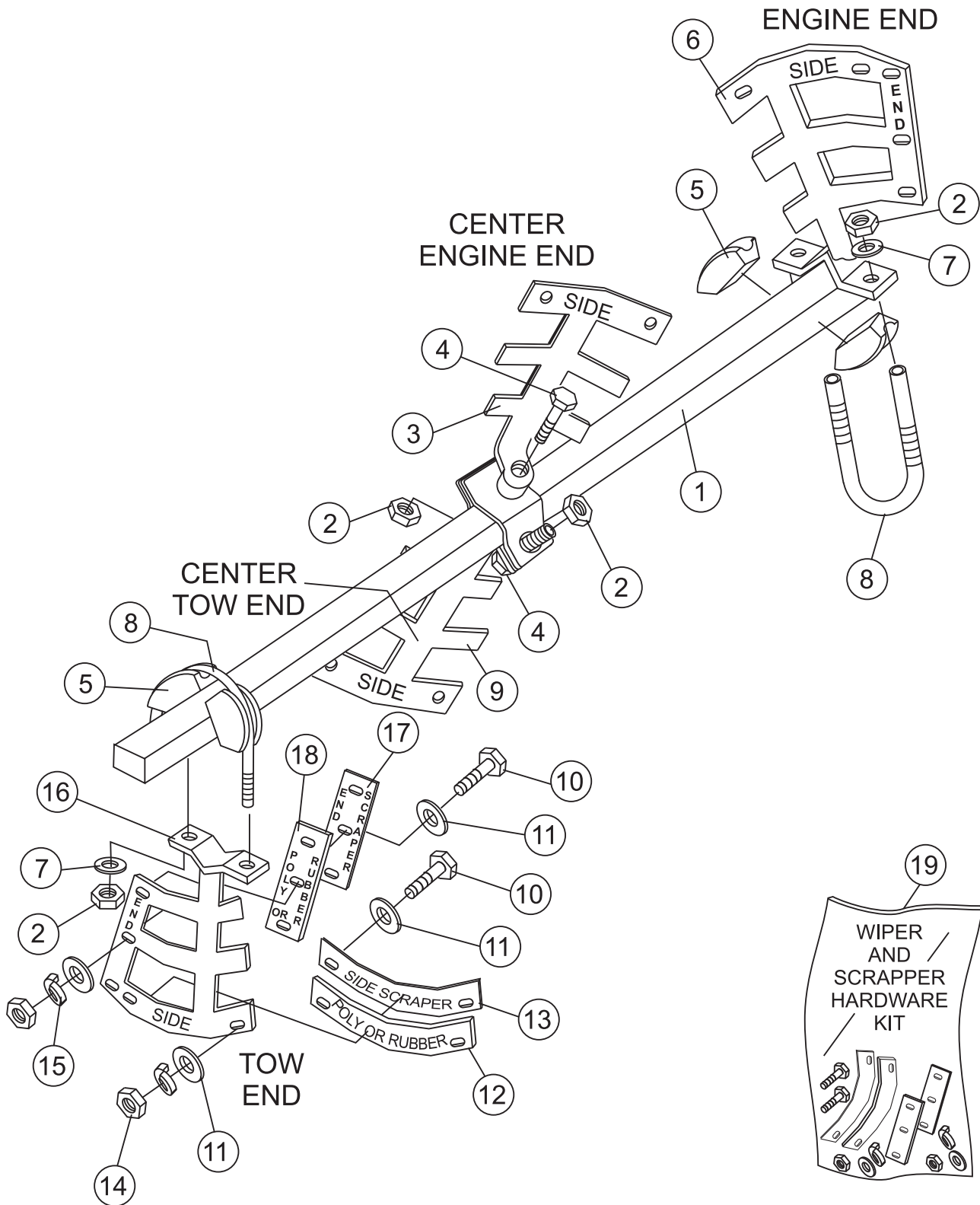
EM-70 S/P MIXER— FRAME ASSY.

FRAME ASSY.

<u>NO.</u>	<u>PART NO.</u>	<u>PART NAME</u>	<u>QTY.</u>	<u>REMARKS</u>
1	514842	LOCK PIN UNIT	1	
2	491692	COTTER PIN	1	
3	530023	SPRING LOCKING PIN	1	
4	507444	WASHER, FLAT 3/4"	1	
5	514835	MAIN FRAME	1	
7	514836	HANDLE, CLUTCH ENGAGE	1	
8	EM963692	BOLT 1/2" UNC 1-1/2"	6	
9	492584	NUT, LOCK 1/2"	6	
10	514802	AXLE, UNIVERSAL	1	
11	10176	LOCK NUT 1/2" NC	1	
12	EM124	BOLT 1/2"-13 X 4 G5	1	
13*		SAFETY CHAIN	1	
14*	01004	CONNECTOR LINK	2	BEFORE JANUARY 2006
14*	01004	CONNECTOR LINK	1	AFTER JANUARY 2006
14A*	516580	CLEVIS SAFETY HOOK	1	AFTER JANUARY 2006
15	13363KIT	CHAIN AND LINK KIT	1	INCLUDES ITEMS W/*
16	HBC-1	BALL HITCH 2-INCH	1	CONTACT UNIT SALES
17	HLC-1	LOOP HITCH	1	CONTACT UNIT SALES
18	HPC-1	PIN HITCH 1-INCH	1	CONTACT UNIT SALES

EM-70 S/P MIXER— PADDLE SHAFT ASSY.

PADDLE SHAFT ASSY.



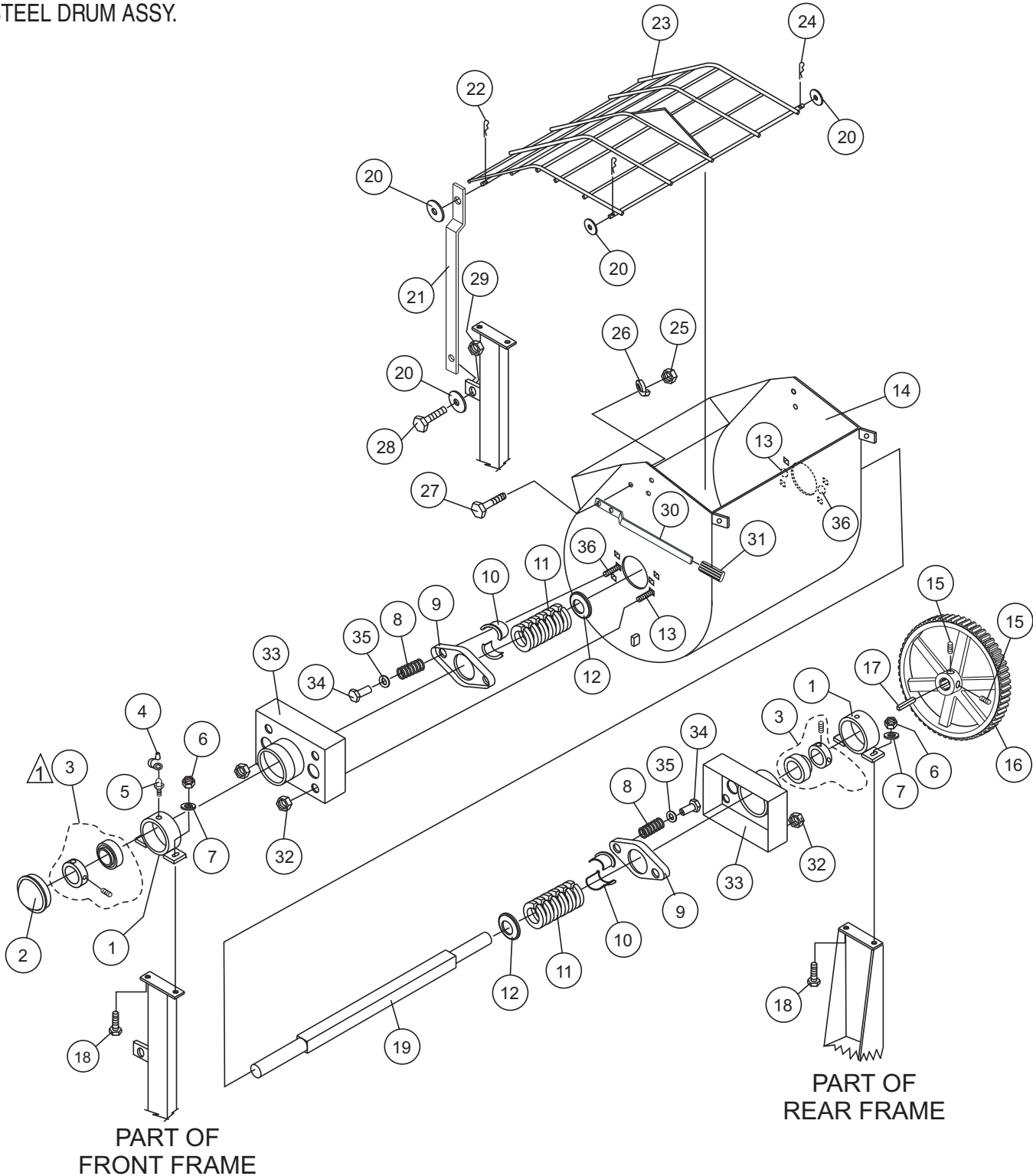
EM-70 S/P MIXER— PADDLE SHAFT ASSY.

PADDLE SHAFT ASSY.

<u>NO.</u>	<u>PART NO.</u>	<u>PART NAME</u>	<u>QTY.</u>	<u>REMARKS</u>
1	514753	PADDLE SHAFT	1	
2	492584	NUT, LOCK 1/2"	6	
3	EM202896	PADDLE ARM, CENTER ENGINE END	1	
4	EM963110	BOLT, 1/2-13 X 3-3/4	2	
5	EM200292	INSERT, PADDLE ARM	4	
6	EM202898	PADDLE ARM, ENGINE END	1	
7	504322	WASHER, FLAT 1/2"	6	
8	EM200297	U-BOLT, END PADDLES	2	
9	EM202897	PADDLE ARM, CENTER TOW END	1	
10*#	492367	SCREW, HHC 5/16-18 X 1-3/4 G5	14	
11*#	EM923023	WASHER, FLAT 5/16"	28	
12#	EM507497	BLADE, SIDE, POLY	4	PLASTIC DRUM
12*	EM202929	BLADE, SIDE, RUBBER	4	STEEL DRUM
13*#	EM202928	BLADE, SIDE, SCRAPPER	4	STEEL & PLASTIC DRUM
14*#	2105164	NUT, HEX 5/16" NC G5	14	
15*#	EM923343	WASHER, LOCK 5/15"	14	
16	EM202899	PADDLE ARM, TOW END	1	
17*#	EM202927	BLADE, SCRAPPER END	4	STEEL & PLASTIC DRUM
18#	EM507496	BLADE, PLASTIC END	4	PLASTIC DRUM
18*	EM202926	BLADE, RUBBER END	4	STEEL DRUM
19	EM203010	KIT, WIPERS, SCRAPPERS & HDWARE	1	INCLUDES ITEMS W/* STEEL DRUM
19	EM204624	KIT, WIPERS, SCRAPPERS & HDWARE	1	INCLUDES ITEMS W/# PLASTIC DRUM

EM-70 S/P MIXER— STEEL DRUM ASSY.

STEEL DRUM ASSY.



NOTES:

- ⚠ SET SCREWS AND BEARING COLLAR ARE INCLUDED WITH BEARING AND CANNOT BE PURCHASED SEPARATELY.

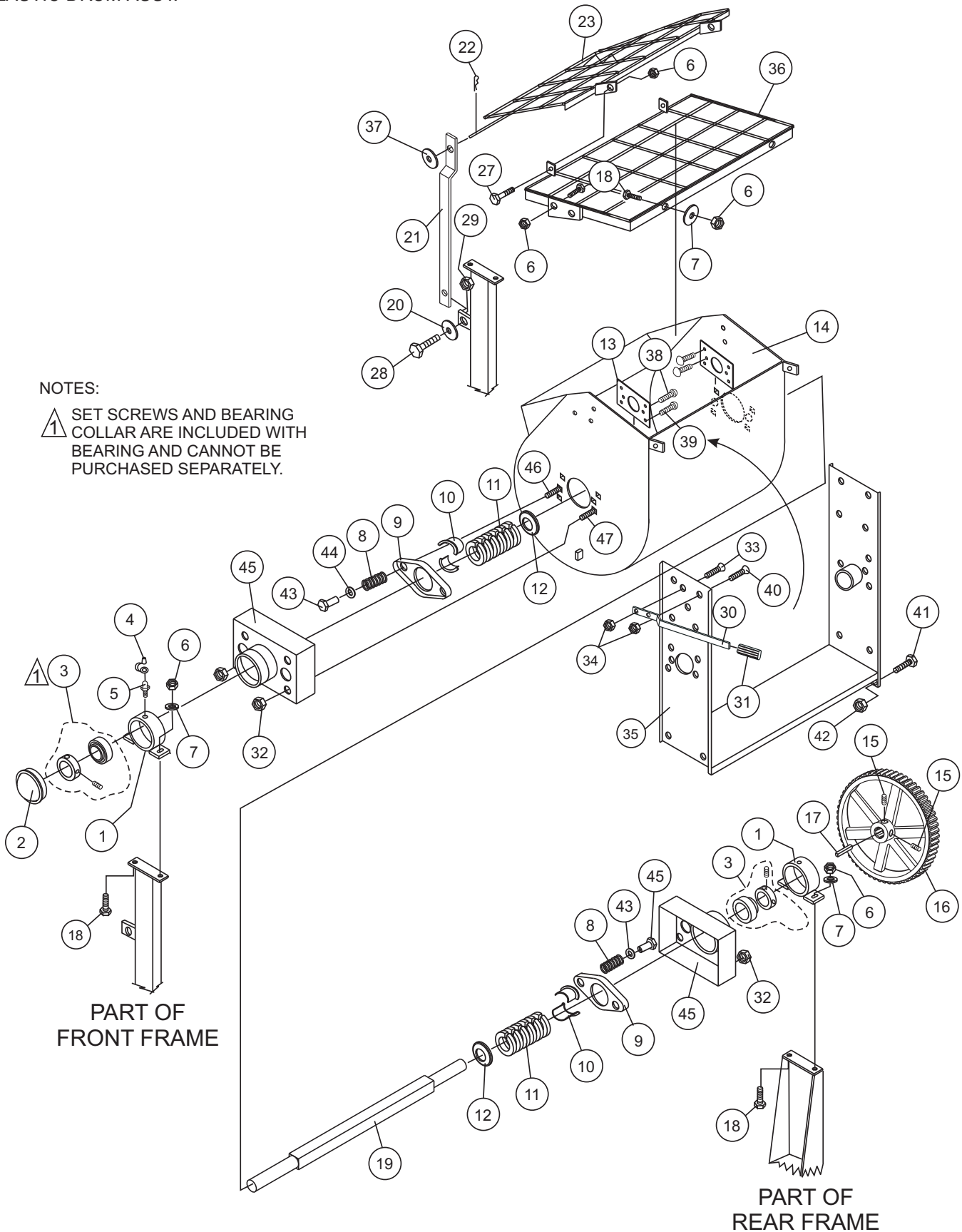
EM-70 S/P MIXER— STEEL DRUM ASSY.

STEEL DRUM ASSY.

<u>NO.</u>	<u>PART NO.</u>	<u>PART NAME</u>	<u>QTY.</u>	<u>REMARKS</u>
1	530028	DRUM BEARING BRACKET	2	
2	3249	CAP, DUST	1	
3	20561-001	BEARING SEALED	2	SET SCREWS AND BEARING COLLAR CANNOT BE PURCHASED SEPARATELY.
4	491008	CAP, GREASE FITTING	2	
5	EM916019	FITTING, GREASE	2	
6	EM969013	NUT, LOCK 3/8"	12	
7	3019092	WASHER, FLAT 3/8"	4	
8	507844	SPRING, COMPRESSION	4	
9	EM200288	PLATE, PACKING GLAND PRESSURE	2	
10	EM200285	GLAND, PACKING HALF	4	
11	EM200301	RING, SHAFT PACKING	12	
12	EM200303	FOLLOWER, PACKING RING	2	
13	EM966048	CARRIAGE BOLT 3/8" NC X 1-1/4"	8	
14	514745	DRUM, STEEL	1	
15	EM961019	SET SCREW	2	
16	530043	MAIN GEAR	1	
17	501016	KEY, 3/8" X 88 MM	1	
18	17985-012	CARRIAGE BOLT 3/8-16 X 1-1/2"	4	
19	514753	SHAFT, PADDLE	1	
20	492600	WASHER, FLAT 1/2"	4	
21	514986	LIFT BAR	1	
22	EM925191	PIN, COTTER	1	
23	514962	GRATE	1	
24	505070	PIN, COTTER	2	
25	492556	HEX NUT 1/2" G5	2	
26	6109180	WASHER, LOCK 1/2"	2	
27	EM963692	BOLT 1/2" UNC 1-1/2"	2	
28	EM963102	CAPSCREW, HHCS 1/2" NC X 1-1/4"	1	
29	492584	NUT, LOCK 1/2" NC	1	
30	EM201537	HANDLE DUMP	1	
31	EM98195	GRIP, DUMP HANDLE	1	
32	EM969012	NUT, STOP	8	
33	514760	DRUM HEAD	2	
34	EM200287	ADJUSTABLE NUT, 3/8"	4	
35	0401450160	WASHER, FLAT 5/8"	4	
36	EM200286	CARRIAGE BOLT 3/8" NC X 3"	4	

EM-70 S/P MIXER— PLASTIC DRUM ASSY.

PLASTIC DRUM ASSY.



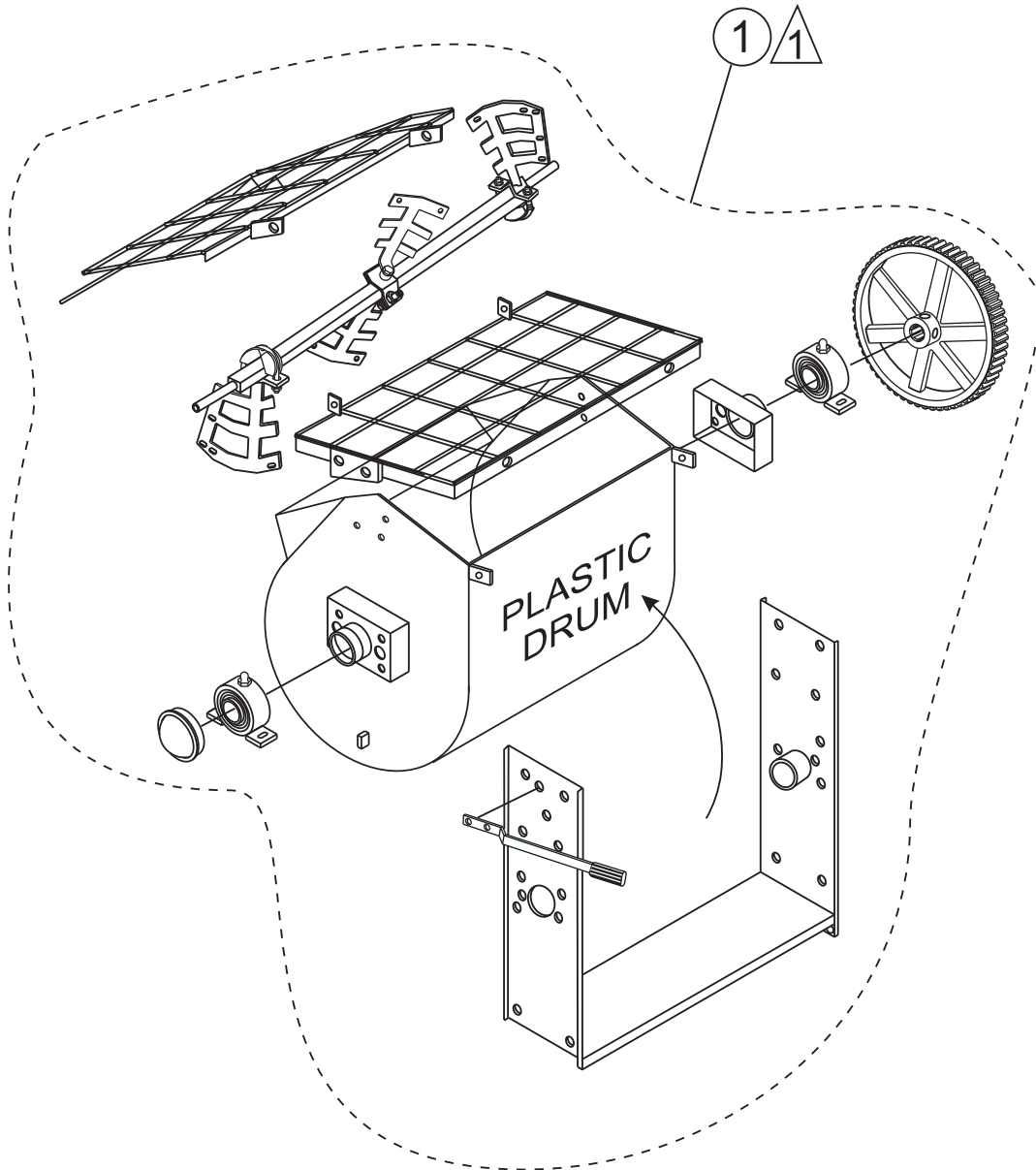
EM-70 S/P MIXER— PLASTIC DRUM ASSY.

PLASTIC DRUM ASSY.

<u>NO.</u>	<u>PART NO.</u>	<u>PART NAME</u>	<u>QTY.</u>	<u>REMARKS</u>
1	530028	DRUM BEARING BRACKET	2	
2	3249	CAP, DUST	1	
3	20561-001	BEARING SEALED	2	SET SCREWS AND BEARING COLLAR CANNOT BE PURCHASED SEPARATELY.
4	491008	CAP, GREASE FITTING	2	
5	EM916019	FITTING, GREASE	2	
6	EM969013	NUT, LOCK 3/8"	20	
7	3019092	WASHER, FLAT 3/8"	6	
8	507844	SPRING, COMPRESSION	4	
9	EM200288	PLATE, PACKING GLAND PRESSURE	2	
10	EM200285	GLAND, PACKING HALF	4	
11	EM200301	RING, SHAFT PACKING	12	
12	EM200303	FOLLOWER, PACKING RING	2	
13	506900	SUPPORT BRACKET	2	
14	EM506311	DRUM, PLASTIC	1	
15	EM961019	SET SCREW	2	
16	530043	MAIN GEAR	1	
17	501016	KEY, 3/8" X 88 MM	1	
18	17985-012	CARRIAGE BOLT 3/8-16 X 1-1/2"	4	
19	514753	SHAFT, PADDLE	1	
20	492600	WASHER, FLAT 1/2"	1	
21	514987	LIFT BAR	1	
22	EM925191	PIN, COTTER	1	
23	504535	GRATE, MOVEABLE	1	
24	505070	PIN, COTTER	2	
25	492556	HEX NUT 1/2" G5	2	
26	6109180	WASHER, LOCK 1/2"	2	
27	EM963692	BOLT 1/2" UNC 1-1/2"	2	
28	EM963102	CAPSCREW, HHCS 1/2" NC X 1-1/4"	1	
29	492584	NUT, LOCK 1/2" NC	1	
30	EM201537	HANDLE DUMP	1	
31	EM98195	GRIP, DUMP HANDLE	1	
32	EM969012	NUT, STOP	8	
33	511910	BOLT 1/4" NC X 1-1/4" G5	8	
34	2101428	NUT 1/4" NC	8	
35	515177	U-SUPPORT PLASTIC DRUM	1	
36	504534	GRATE, STATIONARY	1	
37	0401450160	WASHER, FLAT 5/8"	1	
38	507512	CARRIAGE BOLT 3/8" NC X3- 1/2"	4	
39	505196	CARRIAGE BOLT 3/8" NC X1- 1/2" G5	8	
40	511910	BOLT 1/4" NC X1- 1/4" G5	8	
41	981635	BOLT, HEX, 1/2"13 NC X 1	3	
42	492584	NUT, LOCK 1/2"	3	
43	EM200287	ADJUSTABLE NUT, 3/8"	4	
44	0401450160	WASHER, FLAT 5/8"	4	
45	514760	DRUM HEAD	2	
46	EM200786	CARRIAGE BOLT 3/8" NC X 3"	4	
47	EM966048	CARRIAGE BOLT 3/8" NC X 3/4"	8	

EM-70 S/P MIXER — DRUM & PADDLE SHAFT COMPLETE ASSY.

DRUM AND PADDLE SHAFT COMPLETE ASSY. (PLASTIC DRUM)



NOTES:

- 1 COMPLETE DRUM AND PADDLE SHAFT ASSEMBLIES ARE INCLUDED WITHIN DASHED LINES.

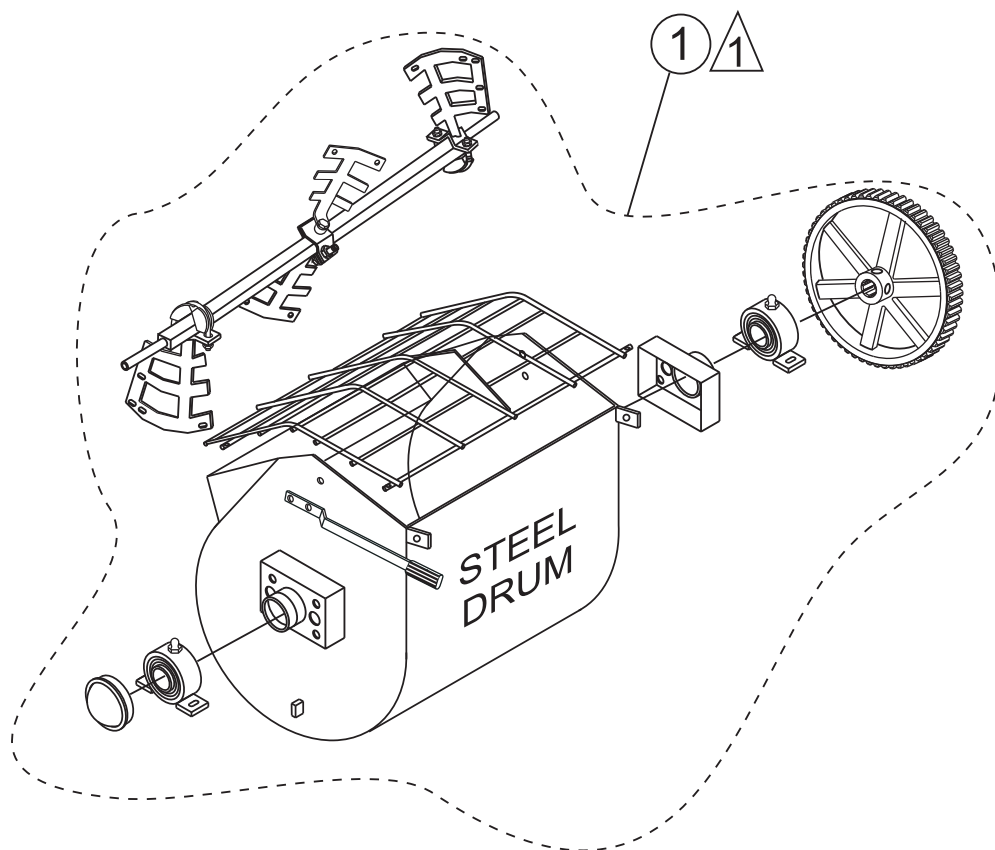
EM-70 S/P MIXER — DRUM & PADDLE SHAFT COMPLETE ASSY.

DRUM AND PADDLE SHAFT COMPLETE ASSY. (PLASTIC DRUM)

<u>NO.</u>	<u>PART NO.</u>	<u>PART NAME</u>	<u>QTY.</u>	<u>REMARKS</u>
1	516066	DRUM AND SHAFT COMPLETE ASSY.	1	INCLUDES ITEMS LISTED BELOW:
	530028	DRUM BEARING BRACKET	2	
	3249	CAP, DUST	1	
	20561-001	BEARING SEALED	2	
	491008	CAP, GREASE FITTING	2	
	EM916019	FITTING, GREASE	2	
	EM969013	NUT, LOCK 3/8"	8	
	3019092	WASHER, FLAT 3/8"	2	
	507844	SPRING, COMPRESSION	2	
	EM200288	PLATE, PACKING GLAND PRESSURE	2	
	EM200285	GLAND, PACKING HALF	2	
	EM200301	RING, SHAFT PACKING	2	
	EM200303	FOLLOWER, PACKING RING	2	
	506900	SUPPORT BRACKET	2	
	EM506311	DRUM, PLASTIC	1	
	EM961019	SET SCREW	2	
	530043	MAIN GEAR	1	
	501016	KEY, 3/8" X 88 MM	1	
	EM963057	CAPSCREW HHCS 3/8 X 1-1/2"	4	
	514753	SHAFT, PADDLE	1	
	504535	GRATE, MOVEABLE	1	
	505070	PIN COTTER	2	
	492556	HEX NUT 1/2" G5	2	
	6109180	WASHER, LOCK 1/2"	2	
	EM963692	BOLT 1/2" UNC 1-1/2"	2	
	EM963102	CAPSCREW, HHCS 1/2" NC X 1-1/4"	1	
	EM201537	HANDLE DUMP	1	
	EM98195	GRIP, DUMP HANDLE	1	
	EM969012	NUT, STOP	8	
	511910	BOLT 1/4" NC X 1-1/4" G5	8	
	2101428	NUT 1/4" NC	8	
	515177	U-SUPPORT PLASTIC DRUM	1	
	504534	GRATE, STATIONARY	1	
	507512	CARRIAGE BOLT 3/8" NC X3- 1/2"	4	
	505196	CARRIAGE BOLT 3/8" NC X1- 1/2" G5	8	
	511910	BOLT 1/4" NC X1- 1/4" G5	8	
	981635	BOLT, HEX, 1/2"13 NC X 1	3	
	492584	NUT, LOCK 1/2"	3	
	EM200287	ADJUSTABLE NUT, 3/8"	4	
	0401450160	WASHER, FLAT 5/8"	4	
	514760	DRUM HEAD	2	
	514753	PADDLE SHAFT	1	
	492584	NUT, LOCK 1/2"	6	
	EM202896	PADDLE ARM, CENTER ENGINE END	1	
	510721	BOLT, 1/2 " X 6" G5	2	
	EM200292	INSERT, PADDLE ARM	4	
	EM202898	PADDLE ARM, ENGINE END	1	
	504322	WASHER, FLAT 1/2"	6	
	EM200297	U-BOLT, END PADDLES	2	
	EM202897	PADDLE ARM, CENTER TOW END	1	
	492367	SCREW, HHC 5/16-18 X 1-3/4 G5	14	
	EM923023	WASHER, FLAT 5/16"	28	
	EM507497	BLADE, SIDE, POLY	4	
	EM202899	BLADE, SIDE, SCRAPPER	4	
	2105164	NUT, HEX 5/16" NC G5	14	
	EM923343	WASHER, LOCK 5/15"	14	
	EM202899	PADDLE ARM, TOW END	1	
	EM202927	BLADE, SCRAPPER END	4	
	EM507496	BLADE, PLASTIC END	4	

EM-70 S/P MIXER — DRUM & PADDLE SHAFT COMPLETE ASSY.

DRUM AND PADDLE SHAFT COMPLETE ASSY. (STEEL DRUM)



NOTES:

- 1 COMPLETE DRUM AND PADDLE SHAFT ASSEMBLIES ARE INCLUDED WITHIN DASHED LINES.

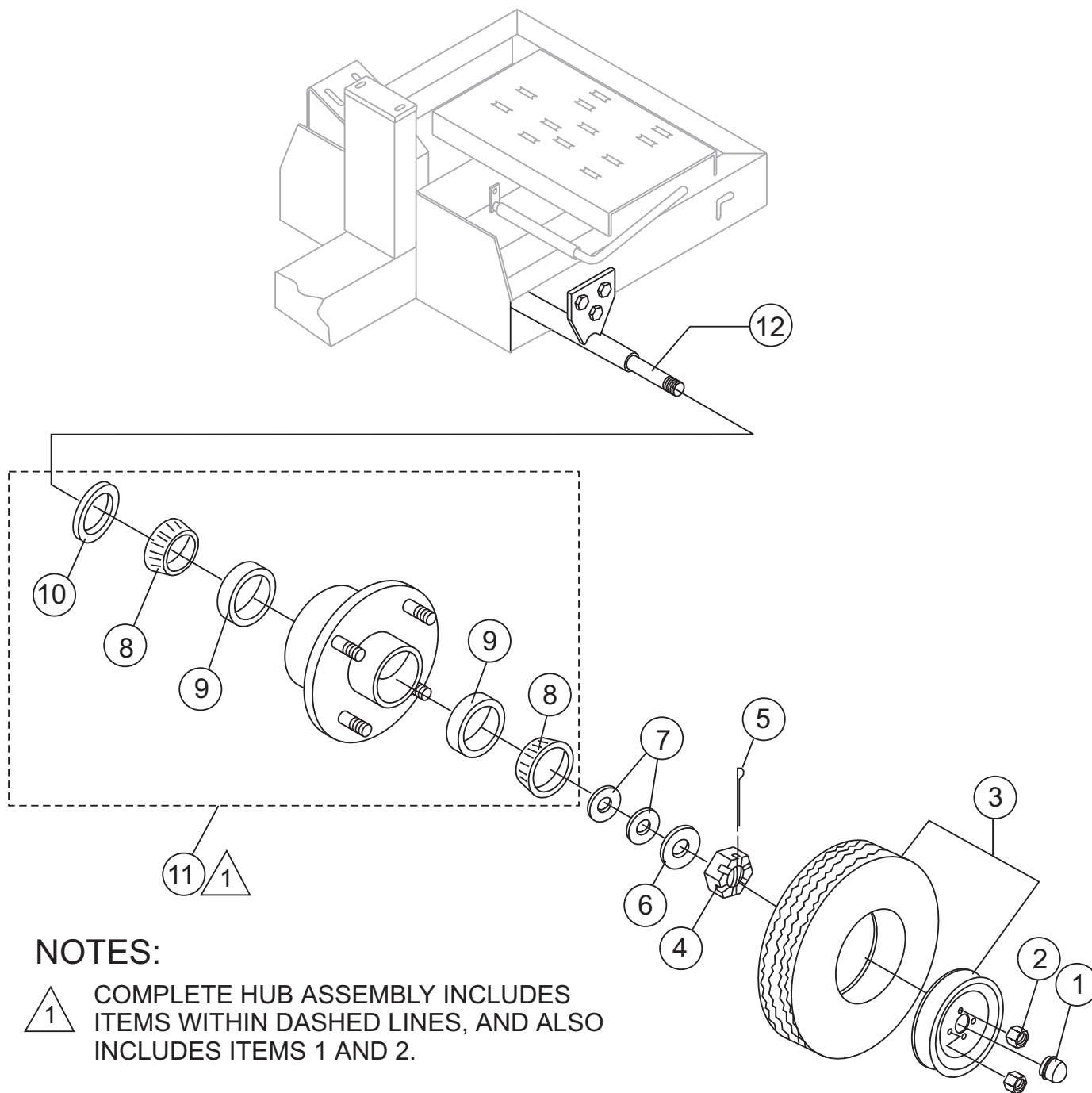
EM-70 S/P MIXER — DRUM & PADDLE SHAFT COMPLETE ASSY.

DRUM AND PADDLE SHAFT COMPLETE ASSY. (STEEL DRUM)

<u>NO.</u>	<u>PART NO.</u>	<u>PART NAME</u>	<u>QTY.</u>	<u>REMARKS</u>
1	516065	DRUM AND SHAFT COMPLETE ASSY.	1	INCLUDES ITEMS LISTED BELOW:
	530028	DRUM BEARING BRACKET	2	
	3249	CAP, DUST	1	
	20561-001	BEARING SEALED	2	
	491008	CAP, GREASE FITTING	2	
	EM916019	FITTING, GREASE	2	
	EM969013	NUT, LOCK 3/8"	12	
	3019092	WASHER, FLAT 3/8"	4	
	507844	SPRING, COMPRESSION	2	
	EM200288	PLATE, PACKING GLAND PRESSURE	2	
	EM200285	GLAND, PACKING HALF	2	
	EM200301	RING, SHAFT PACKING	2	
	EM200303	FOLLOWER, PACKING RING	2	
	505064	CARRIAGE BOLT 3/8" NC X 3/4"	8	
	514745	DRUM, STEEL	1	
	EM961019	SET SCREW	2	
	530043	MAIN GEAR	1	
	501016	KEY, 3/8" X 88 MM	1	
	EM963057	CAPSCREW HHCS 3/8 X 1-1/2"	4	
	514753	SHAFT, PADDLE	1	
	492600	WASHER, FLAT 1/2"	2	
	514962	GRATE	1	
	505070	PIN COTTER	2	
	492556	HEX NUT 1/2" G5	2	
	6109180	WASHER, LOCK 1/2"	2	
	EM963692	BOLT 1/2" UNC 1-1/2"	2	
	EM201537	HANDLE DUMP	1	
	EM98195	GRIP, DUMP HANDLE	1	
	EM969012	NUT, STOP	8	
	514760	DRUM HEAD	2	
	EM200287	ADJUSTABLE NUT, 3/8"	4	
	0401450160	WASHER, FLAT 5/8"	4	
	505065	CARRIAGE BOLT 3/8" NC X 3"	8	
	514753	PADDLE SHAFT	1	
	492584	NUT, LOCK 1/2"	6	
	EM202896	PADDLE ARM, CENTER ENGINE END	1	
	510721	BOLT, 1/2 " X 6" G5	2	
	EM200292	INSERT, PADDLE ARM	4	
	EM202898	PADDLE ARM, ENGINE END	1	
	504322	WASHER, FLAT 1/2"	6	
	EM200297	U-BOLT, END PADDLES	2	
	EM202897	PADDLE ARM, CENTER TOW END	1	
	492367	SCREW, HHC 5/16-18 X 1-3/4 G5	14	
	EM923023	WASHER, FLAT 5/16"	28	
	EM202929	BLADE, SIDE, RUBBER	4	
	EM202899	BLADE, SIDE, SCRAPER	4	
	2105164	NUT, HEX 5/16" NC G5	14	
	EM923343	WASHER, LOCK 5/15"	14	
	EM202899	PADDLE ARM, TOW END	1	
	EM202927	BLADE, SCRAPER END	4	
	EM202926	BLADE, RUBBER END	4	

EM-70 S/P MIXER— AXLE ASSY.

AXLE ASSY.



NOTES:



COMPLETE HUB ASSEMBLY INCLUDES ITEMS WITHIN DASHED LINES, AND ALSO INCLUDES ITEMS 1 AND 2.

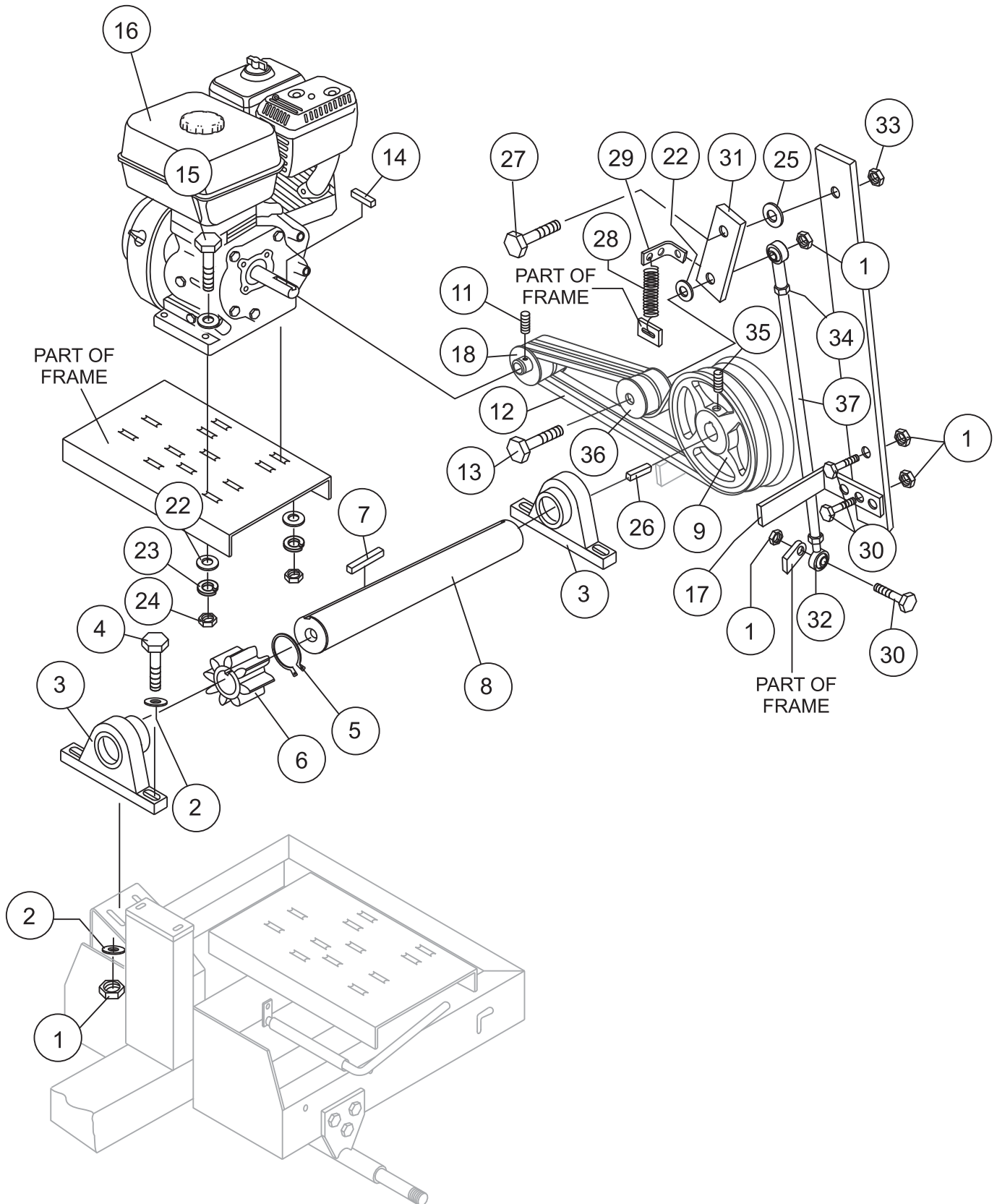
EM-70 S/P MIXER— AXLE ASSY.

AXLE ASSY.

<u>NO</u>	<u>PART NO</u>	<u>PART NAME</u>	<u>QTY.</u>	<u>REMARK</u>
1#	3469	DUST CAP	2	
2#	8115	LUG NUTS	8	
3	3005	TIRE AND RIM, CARLISE	2	BEFORE JANUARY 2006
3	516476	TIRE AND RIM, TOWMASTER II	2	AFTER JANUARY 2006
4	8164	ARMLE NUT 1"	2	
5	491688	COTTER PIN 1/8" X 1-1/2'	2	
6	EM511159	WASHER, FLAT, .087" THICKNESS	2	
7	EM501299	WASHER, FLAT, .135" THICKNESS	1	
8#	EM903113	BEARING CONE,	4	
9#	EM903012	BEARING CUP	4	
10#	EM914288	OIL SEAL	2	
11	EM941306	HUB ASSY., 4-BOLT	2	INCLUDES ITEMS W/#
12	514802	AXLE, UNIVERSAL	1	

EM-70 S/P MIXER— ENGINE ASSY.

ENGINE ASSY.



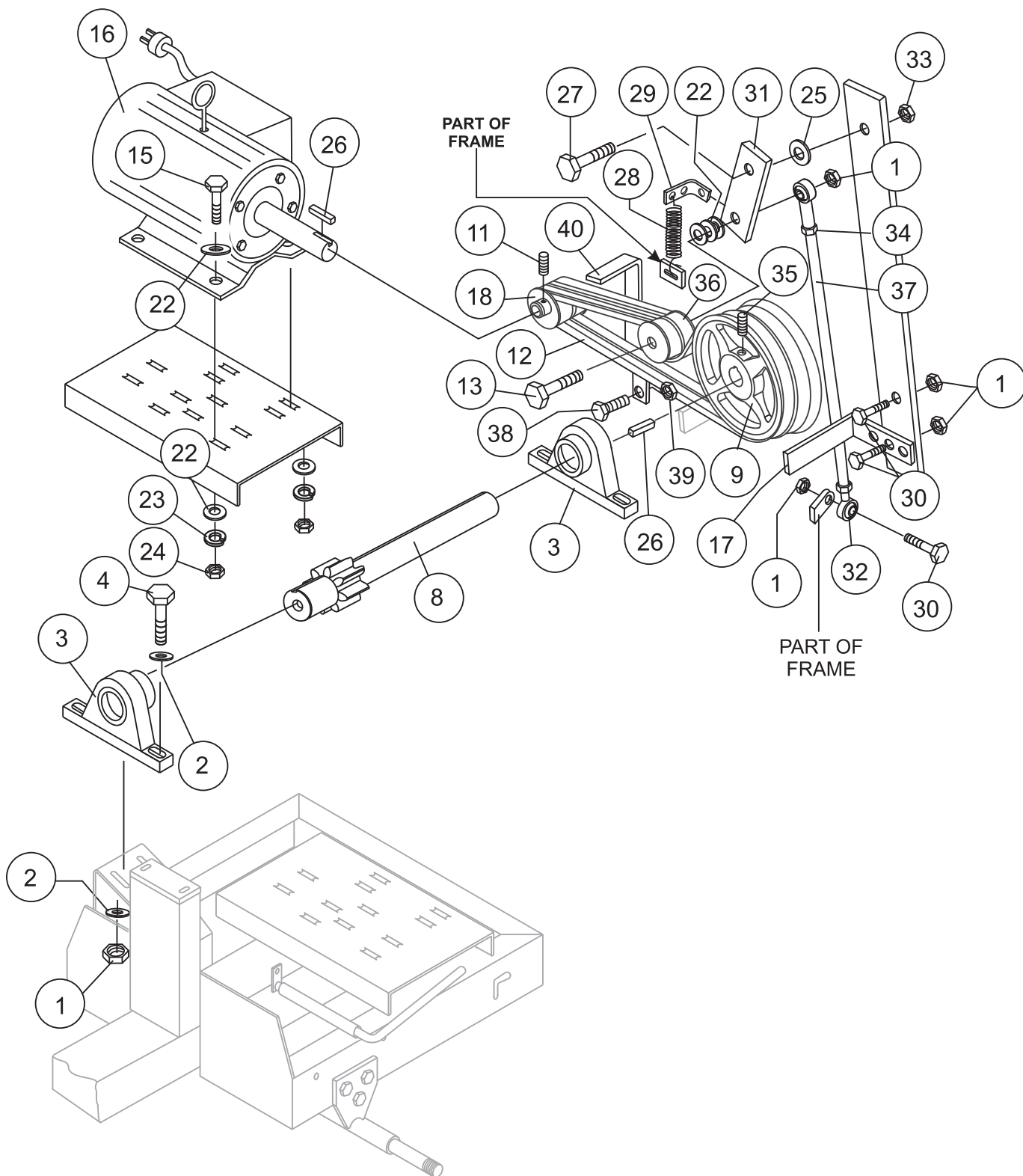
EM-70 MIXER — ENGINE ASSY.

ENGINE ASSY.

<u>NO</u>	<u>PART NO</u>	<u>PART NAME</u>	<u>QTY.</u>	<u>REMARKS</u>
1	492583	NUT 3/8" NC G5	8	
2	506488	FLAT WASHER 3/8	8	
3	EM905016	PILLOW BLOCK BEARING	2	
4	492378	BOLT 3/8" NC X 1-3/4" G5	4	
5	490957	RING, RETENTION	1	
6	513868	PINION GEAR	1	
7	500214	KEY, 1/4" X 30 MM	1	
8	EM502226	PINION SHAFT	1	REPLACES P/N 502226
9	492057	PULLEY (LARGE)	1	
10	505084	KEY, 1/4" X 55 MM	1	
11	492467	SET SCREW, 5/16" NC 3/8"	4	
12	508473	V-BELT, A-37	2	HONDA 5.5 HP
12	505834	V-BELT, A-36	2	HONDA 8.0 HP
13	503117	BOLT, 3/8" NC X 3" G5	1	
14	501019	SQ. KEY 3/16" X 45 MM 5.5 HP	1	
14	90745ZE2600	SQ. KEY 6.3 X 6.3 X 43 MM 8.0 HP	1	
15	492367	BOLT 5/16" NC X 1-3/4" G5	4	HONDA 5.5 HP
15	492378	BOLT 3/8" NC X 1-3/4" G5	4	HONDA 8.0 HP
16	GX160K1HX2	ENGINE, HONDA 5.5 HP	1	
16	GX240K1HA2	ENGINE, HONDA 8.0 HP	1	
17	515040	BELT RETAINER BAR	1	
18	492055	PULLEY, (SMALL), 5.5 HP	1	
18	EM901074	PULLEY, (SMALL), 8.0 HP	1	
22	492597	WASHER, FLAT 5/16"	6	HONDA 5.5 HP
22	492598	WASHER, FLAT 3/8"	6	HONDA 8.0 HP
23	492623	WASHER, LOCK 5/16"	4	HONDA 5.5 HP
23	492624	WASHER, LOCK 3/8"	4	HONDA 8.0 HP
24	492553	NUT, HEX 5/16"	4	HONDA 5.5 HP
24	492554	NUT, HEX 3/8"	4	HONDA 8.0 HP
25	492600	WASHER, FLAT 1/2"	1	
26	505084	SQ. KEY, 1/4" X 55 MM	1	
27	492394	BOLT 1/2" NC X 1-1/2" G5	1	
28	EM102014	SPRING, EXTENSION	1	
29	EM203098	SPRING CLIP	1	
30	492313	BOLT 3/8" NC X 1-1/2" G5	3	
31	EM507713	ARM, IDLER	1	HONDA 5.5 HP
31	EM507491	ARM, IDLER	1	HONDA 8.0 HP
32	EM959080	ROD-END	2	
33	492584	NUT, HEX 1/2"	1	
34	492574	NUT, HEX 3/8" NF G5	2	
35	492476	SET SCREW, 5/16" NC 3/4"	1	
36	EM901515	PULLEY, IDLER	1	
37	515299	ROD	1	HONDA 5.5 HP
37	515045	ROD	1	HONDA 8.0 HP

EM-70 S/P MIXER— ELECTRIC MOTOR ASSY.

ELECTRIC MOTOR ASSY.



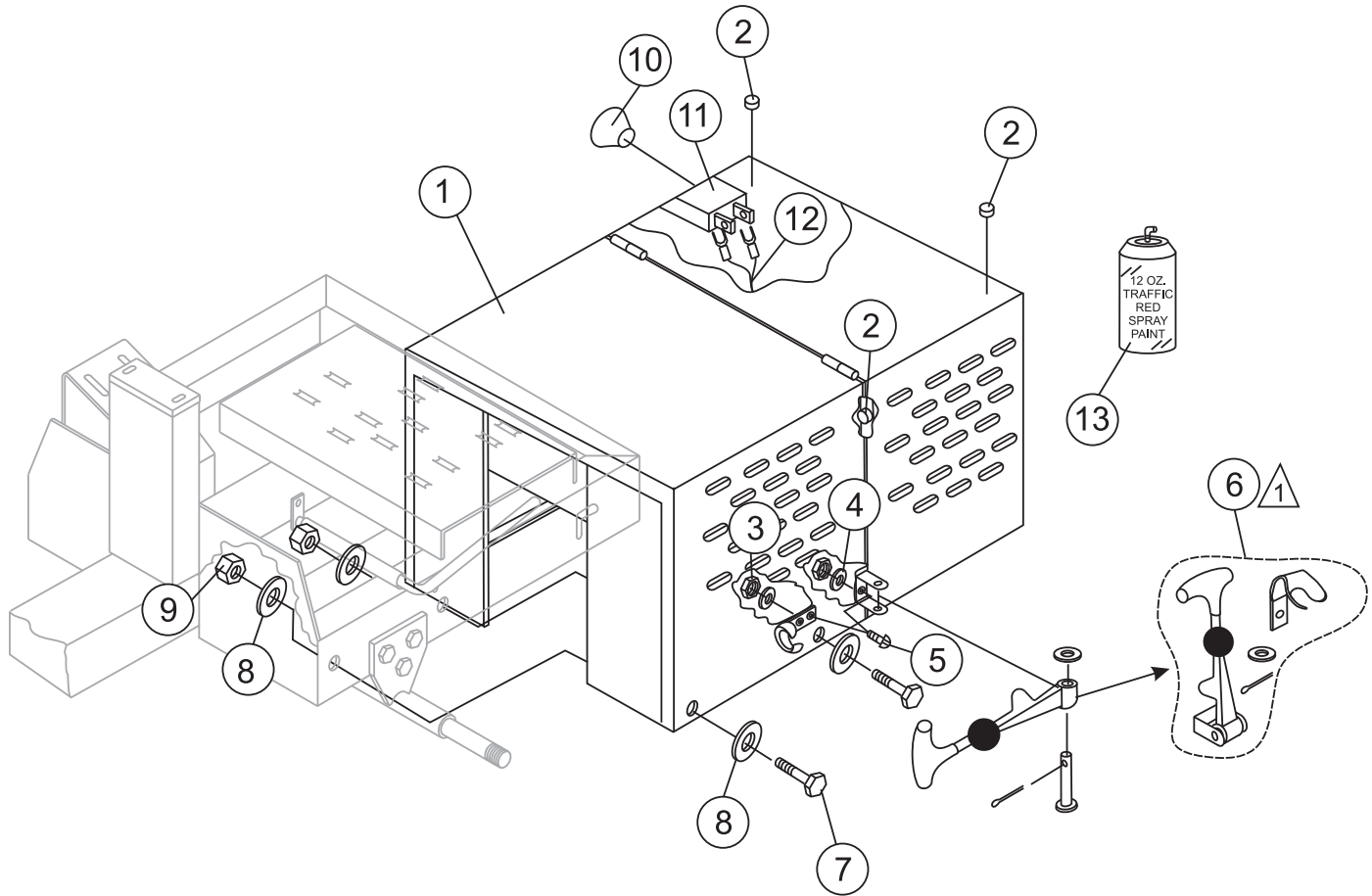
EM-70 S/P MIXER— ELECTRIC MOTOR ASSY.

ELECTRIC MOTOR ASSY.

<u>NO</u>	<u>PART NO</u>	<u>PART NAME</u>	<u>QTY.</u>	<u>REMARKS</u>
1	492583	NUT 3/8" NC G5	8	
2	506488	FLAT WASHER 3/8	8	
3	EM905016	PILLOW BLOCK BEARING	2	
4	492378	BOLT 3/8" NC X 1-3/4" G5	4	
8	20216-001	SHAFT AND PINION	1	
9	505204	PULLEY (LARGE)	1	
10	505084	KEY, 1/4" X 55 MM	1	
11	492467	SET SCREW, 5/16' NC 3/8"	4	
12	507725	V-BELT, A-48	2	
13	503117	BOLT, 3/8" NC X 3" G5	1	
15	492378	BOLT 3/8" NC X 1-3/4" G5	4	
16	35L229S302	ELECTRIC MOTOR 1.5 HP	1	
17	515040	BELT RETAINER BAR	1	
18	502213	PULLEY, (SMALL)	1	
22	492598	WASHER, FLAT 3/8"	5	
23	492624	WASHER, LOCK 3/8"	4	
24	492554	NUT, HEX 3/8"	4	
25	492600	WASHER, FLAT 1/2"	1	
26	505084	KEY, 1/4" X 55 MM	1	
27	492394	BOLT 1/2" NC X 1-1/2" G5	1	
28	EM102014	SPRING, EXTENSION	1	
29	EM203098	SPRING CLIP	1	
30	492313	BOLT 3/8" NC X 1-1/2" G5	3	
31	EM507491	ARM, IDLER	1	
32	959080	ROD-END	2	
33	492584	NUT, HEX 1/2"	1	
34	492574	NUT, HEX 3/8" NF G5	2	
35	492476	SET SCREW, 5/16' NC 3/4"	1	
36	EM901515	PULLEY, IDLER	1	
37	515045	ROD	1	
38	492364	BOLT, 5/16" NC X 1" G5	1	
39	492554	NUT, HEX 3/8"	4	
40	515365	BELT RETAINER BAR	1	

EM-70 S/P MIXER— CABINET ASSY.

CABINET ASSY.



NOTES:



COMPLETE LATCH ASSEMBLY
INCLUDES ITEMS WITHIN DASHED
LINES. ITEMS CANNOT BE PURCHASED
SEPARATELY.

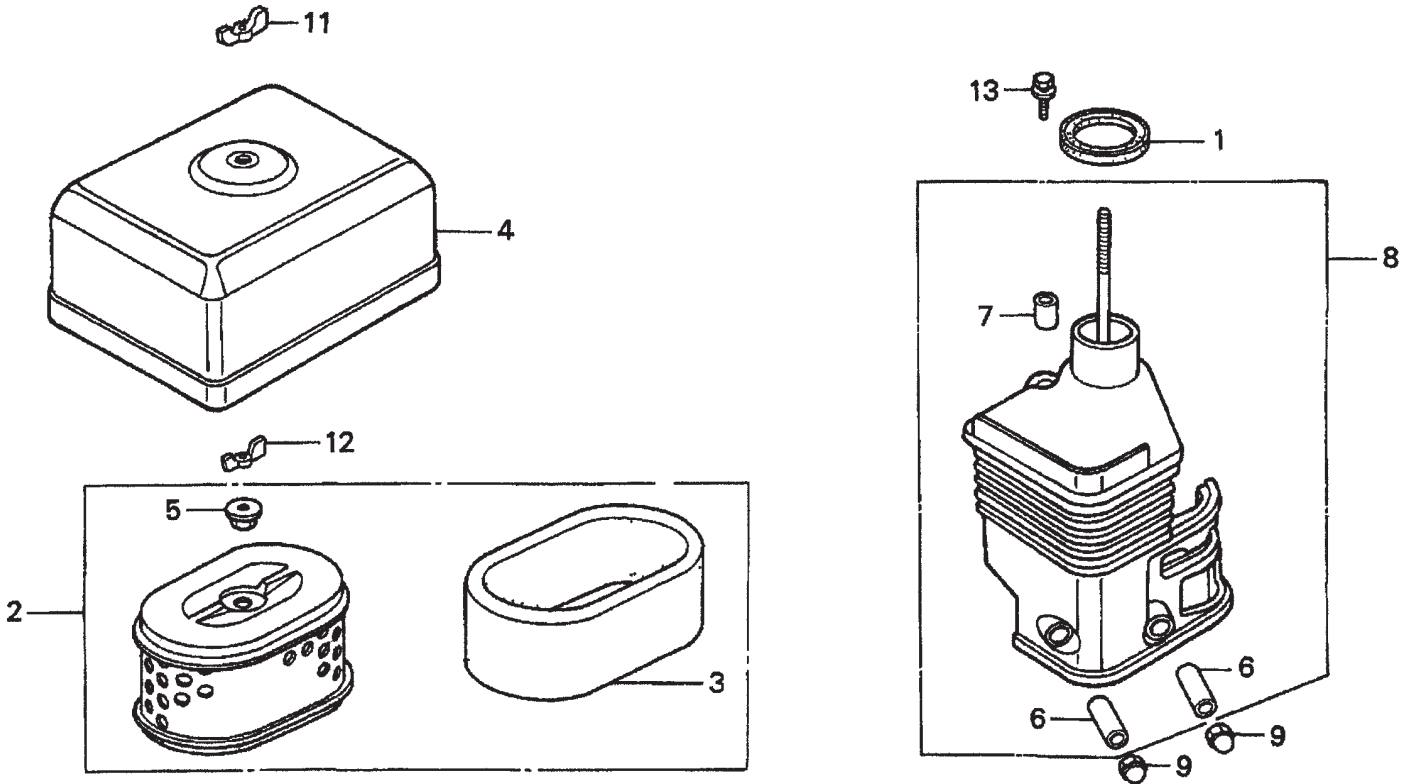
EM-70 S/P MIXER— CABINET ASSY.

CABINET ASSY.

<u>NO</u>	<u>PART NO</u>	<u>PART NAME</u>	<u>QTY.</u>	<u>REMARKS</u>
1	514948	CABINET, ENGINE W/DECALS	1	INCLUDES ITEMS W/*
2	490202	RUBBER PROTECTOR	4	
3	13287	LOCK NUT 8-32	6	REPLACEMENT PART ONLY
4	2203	WASHER, FLAT #10	6	REPLACEMENT PART ONLY
5	1307	SCREW RHMS 8-32 X 1/2"	6	REPLACEMENT PART ONLY
6*	491010	LATCH ASSY., COMPLETE	2	
7	492375	BOLT 3/8" NC X 1" G5	4	
8	492598	WASHER, FLAT 3/8"	4	
9	492583	NUT 3/8" NC G5	4	
10	29174-001	KNOB, MUSHROOM	1	
11	29173-001	SWITCH, PUSH-PULL	1	
12	504135C	WIRE HARNESS	1	

HONDA GX160K1HX2 — AIR CLEANER ASSY.

AIR CLEANER ASSY.



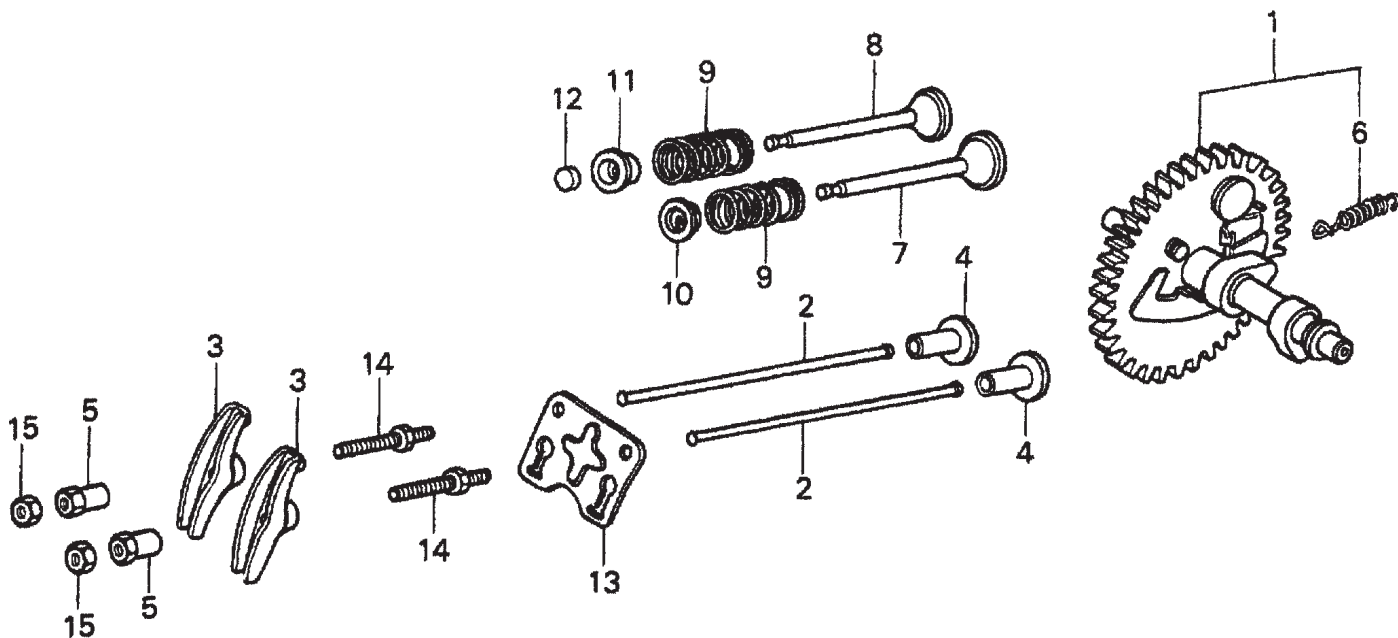
HONDA GX160K1HX2 — AIR CLEANER ASSY.

AIR CLEANER ASSY.

<u>NO.</u>	<u>PART NO.</u>	<u>PART NAME</u>	<u>QTY.</u>	<u>REMARKS</u>
1	16271ZE1000	GASKET, ELBOW	1	
2	17210ZE1517	ELEMENT, AIR CLEANER (DUAL)	1	INCLUDES ITEMS W/*
3*	17218ZE1505	FILTER, OUTER	1	
4	17230ZE1820	COVER, AIR CLEANER (DUAL)	1	
5*	17232891000	GROMMET, AIR CLEANER	1	
6#	17238ZE7010	COLLAR, AIR CLEANER	2	
7#	17239ZE1000	COLLAR B, AIR CLEANER	1	
8	17410ZE1020	ELBOW, AIR CLEANER	1	INCLUDES ITEMS W/#
9	9405006000	NUT, CAP 6MM	2	
11	90325044000	WINGNUT, TOOL BOX SETTING	1	USE FROM ENGINE SN 2836834
12	90325044000	WINGNUT, TOOL BOX SETTING	1	
13	957010602000	BOLT, FLANGE 6 X 20	1	USE FROM ENGINE SN 3385102

HONDA GX160K1HX2 — CAMSHAFT ASSY.

CAMSHAFT ASSY.



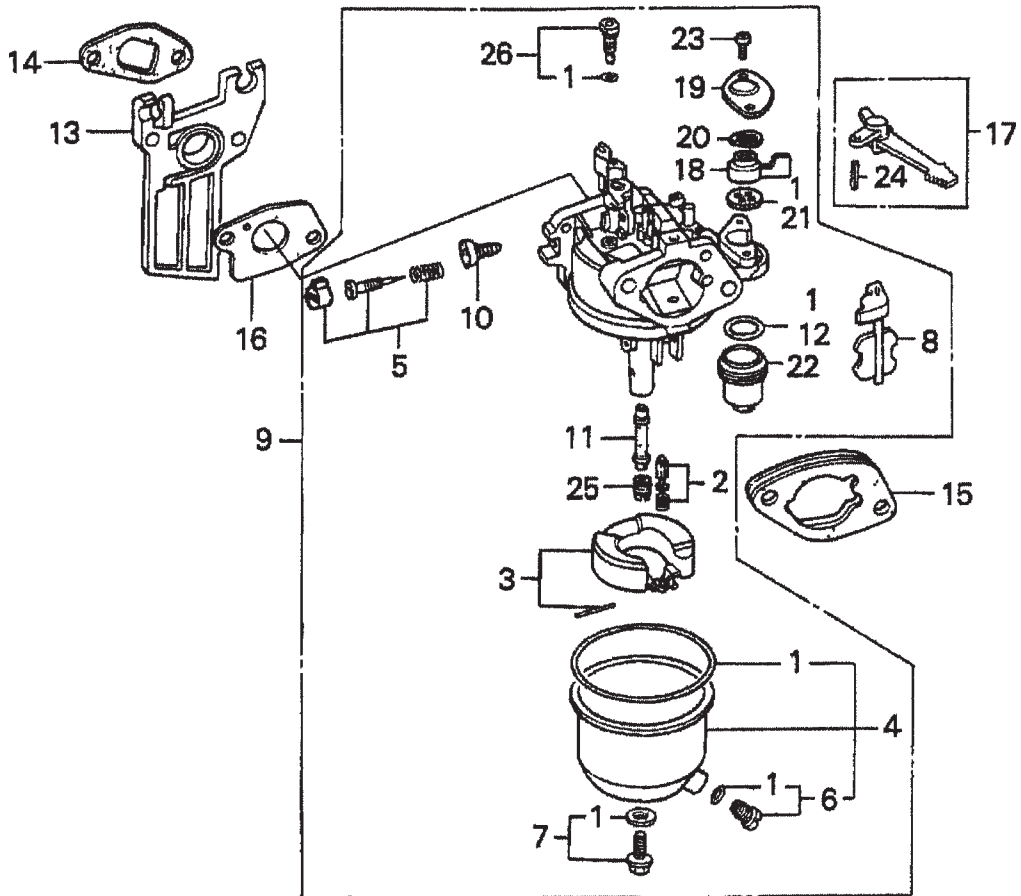
HONDA GX160K1HX2 — CAMSHAFT ASSY.

CAMSHAFT ASSY.

<u>NO.</u>	<u>PART NO.</u>	<u>PART NAME</u>	<u>QTY.</u>	<u>REMARKS</u>
1	14100ZE1812	CAMSHAFT ASSEMBLY	1	INCLUDES ITEMS W/*
2	14410ZE1010	ROD, PUSH	2	
3	14431ZE1000	ARM, VALVE ROCKER	2	
4	14441ZE1010	LIFTER, VALVE	2	
5	14451ZE1013	PIVOT, ROCKER ARM	2	
6*	14568ZE1000	SPRING, WEIGHT RETURN	1	
7	14711ZF1000	VALVE, INTAKE	1	
8	14721ZF1000	VALVE, EXHAUST	1	
9	14751ZF1000	SPRING VALVE	2	
10	14771ZE1000	RETAINER, INTAKE VALVE SPRING	1	
11	14773ZE1000	RETAINER, EXHAUST VALVE SPRING	1	
12	14781ZE1000	ROTATOR, VALVE	1	
13	14791ZE1010	PLATE, PUSH ROD GUIDE	1	
14	90012ZE0010	BOLT, PIVOT 8MM	2	
15	90206ZE1000	NUT, PIVOT ADJ.	2	

HONDA GX160K1HX2 — CARBURETOR ASSY.

CARBURETOR ASSY.



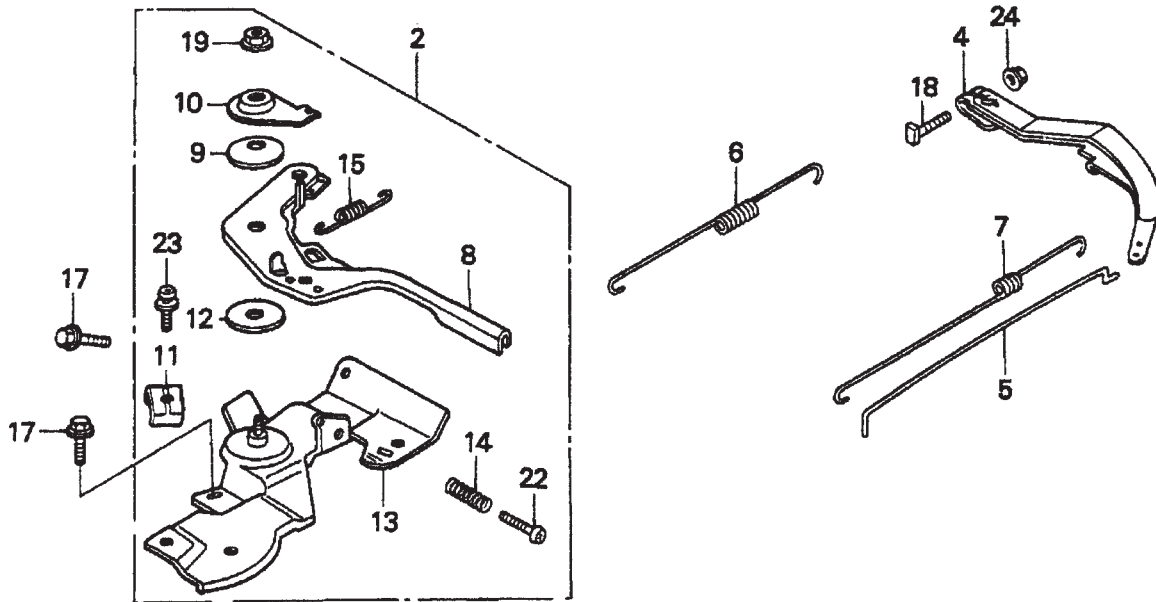
HONDA GX160K1HX2 — CARBURETOR ASSY.

CARBURETOR ASSY.

<u>NO.</u>	<u>PART NO.</u>	<u>PART NAME</u>	<u>QTY.</u>	<u>REMARKS</u>
1*#+%■	16010ZE1812	GASKET SET	1	
2*	16011ZE0005	VALVE SET, FLOAT	1	
3	16013ZE0005	FLOAT SET	1	
4*	16015ZE0831	CHAMBER SET, FLOAT	1	INCLUDES ITEMS/# USE FROM ENGINE SN BE65B B
5*	16016ZH7W01	SCREW SET	1	
6*#	16024ZE1811	SCREW SET, DRAIN	1	INCLUDES ITEM W/+
7*	16028ZE0005	SCREW SET B	1	INCLUDES ITEM W/%
8*	16044ZE0005	CHOKE SET	1	
9	16100ZH8W51	CARBURETOR ASSEMBLY, BE65B B	1	INCLUDES ITEMS/*
10*	16124ZE0005	SCREW, THROTTLE STOP	1	
11*	16166ZH8W50	NOZZLE, MAIN	1	
12*	16173001004	O- RING	1	
13	16211ZE1000	INSULATOR, CARBURETOR	1	
14	16212ZH8800	GASKET, INSULATOR	1	
15	16220ZE1020	SPACER, CARBURETOR	1	
16	16221ZH8801	GASKET, CARBURETOR	1	
17	16610ZE1000	LEVER, CHOKE STANDARD	1	INCLUDES ITEM W/\$
18*	16953ZE1812	LEVER, VALVE	1	
19	16954ZE1812	PLATE, LEVER SETTING	1	USE FROM ENGINE SN BE65B B
20*	16956ZE1811	SPRING, VALVE LEVER	1	
21*	16957ZE1812	GASKET, VALVE	1	
22*	16967ZE0811	CUP, FUEL STRAINER	1	
23*	93500030060H	SCREW, PAN 3 X 6	2	USE FROM ENGINE SN BE65B B
24\$	9430520122	PIN, SPRING 2 X 12	1	
25*	99101ZH80650	JET, MAIN #65 (OPTIONAL)	1	
25*	99101ZH80680	JET, MAIN #68 (OPTIONAL)	1	
26*	99204ZE00350	JET SET, PILOT #35	1	INCLUDES ITEM W/■

HONDA GX160K1HX2 — CONTROL ASSY.

CONTROL ASSY.



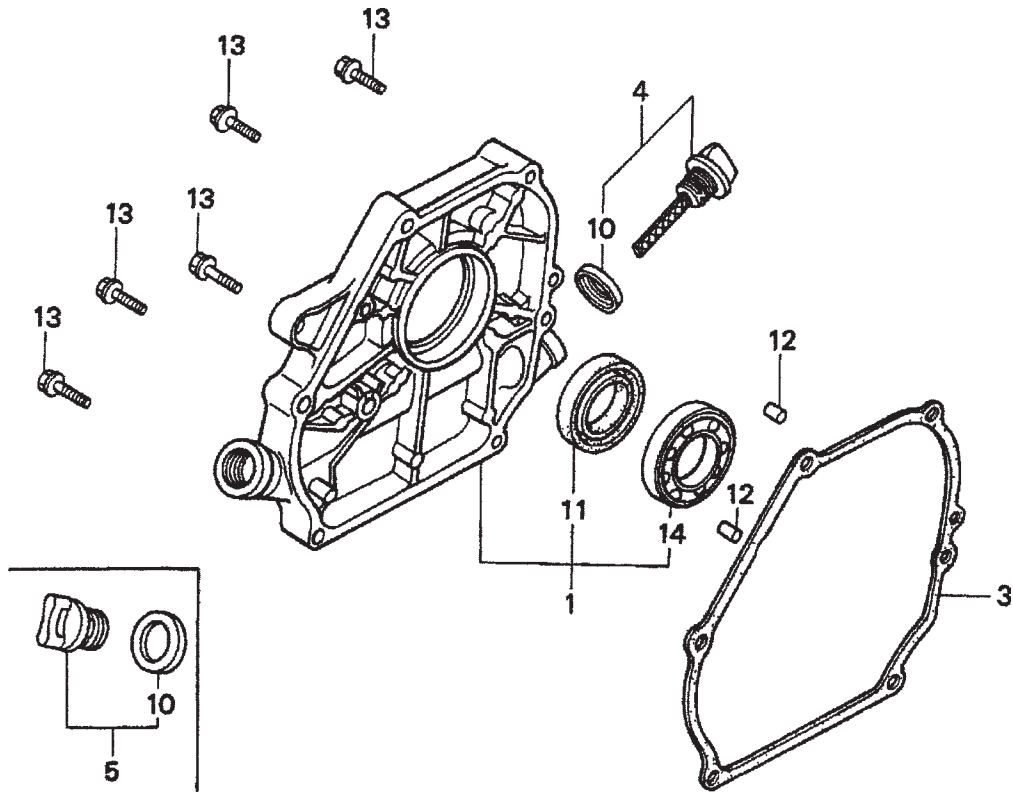
HONDA GX160K1HX2 — CONTROL ASSY.

CONTROL ASSY.

<u>NO.</u>	<u>PART NO.</u>	<u>PART NAME</u>	<u>QTY.</u>	<u>REMARKS</u>
2	16500ZH8823	CONTROL ASSEMBLY, REMOTE	1	INCLUDES ITEMS W/*
4	16551ZL0000	ARM, GOVERNOR	1	
5	16555ZE1000	ROD, GOVERNOR	1	
6	16561ZE1020	SPRING GOVERNOR	1	
7	16562ZE1020	SPRING, THROTTLE RETURN	1	
8*	16571ZH8020	LEVER, CONTROL	1	
9*	16574ZE1000	SPRING, LEVR	1	
10*	16575ZH8000	WASHER, CONTROL LEVER	1	
11*	16576891000	HOLDER, CABLE	1	
12*	16578ZE1000	SPACER, CONTROL LEVER	1	
13*	16580ZH8812	BASE, CONTROL (REMOTE)	1	
14*	16584883300	SPRING, CONTROL ADJUSTING	1	
15*	16592ZE1810	SPRING, CABLE RETURN	1	
17	90013883000	BOLT, FLANGE 6 X 12 (CT200)	2	
18	90016ZE5010	BOLT, GOVERNOR ARM	1	
19*	90114SA0000	NUT, SELF- LOCK 6MM	1	
22*	93500050250H	SCREW, PAN 5 X 25	1	
23*	938930501600	SCREW, WASHER 5 X 16	1	
24	9405006000	NUT, FLANGE 6MM	1	

HONDA GX160K1HX2 — CRANKCASE COVER ASSY.

CRANKCASE COVER ASSY.



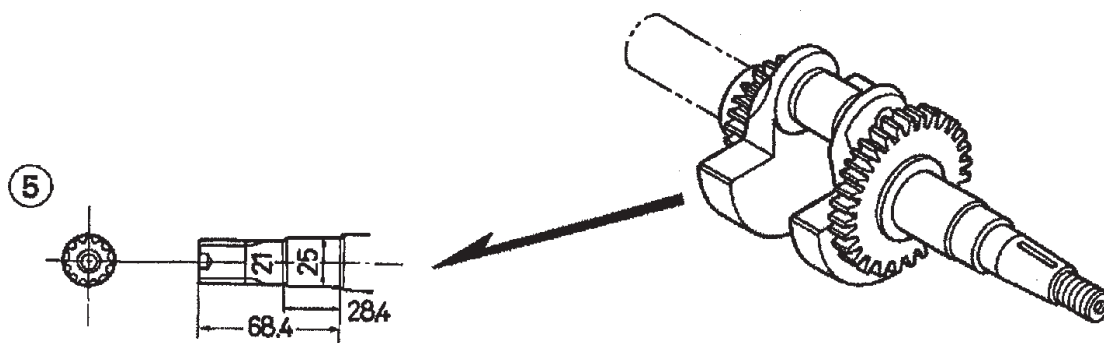
HONDA GX160K1HX2 — CRANKCASE COVER ASSY.

CRANKCASE COVER ASSY.

<u>NO.</u>	<u>PART NO.</u>	<u>PART NAME</u>	<u>QTY.</u>	<u>REMARKS</u>
1	11300ZE1641	COVER ASSEMBLY, CRANKCASE (U- TYPE)	1	INCLUDES ITEMS W/*
3	11381ZH8801	GASKET, CASE COVER (NON- ASBESTOS)	1	
4	15600ZE1003	CAP ASSEMBLY, OIL FILLER	1	INCLUDES ITEMS W/#
5	15600ZG4003	CAP ASSEMBLY, OIL FILLER	1	INCLUDES ITEMS W/%
10%#	15625ZE1003	GASKET, OIL FILLER CAP	1	
11*	91202883005	OIL SEAL 25 X 41 X 6	1	
12	9430108140	PIN A, DOWEL 8 X 14	2	
13	957010803200	BOLT, FLANGE 8 X 32	6	
14*	961006205010	BEARING, RADIAL BALL 6205	1	

HONDA GX160K1HX2 — CRANKSHAFT ASSY.

CRANKSHAFT ASSY.



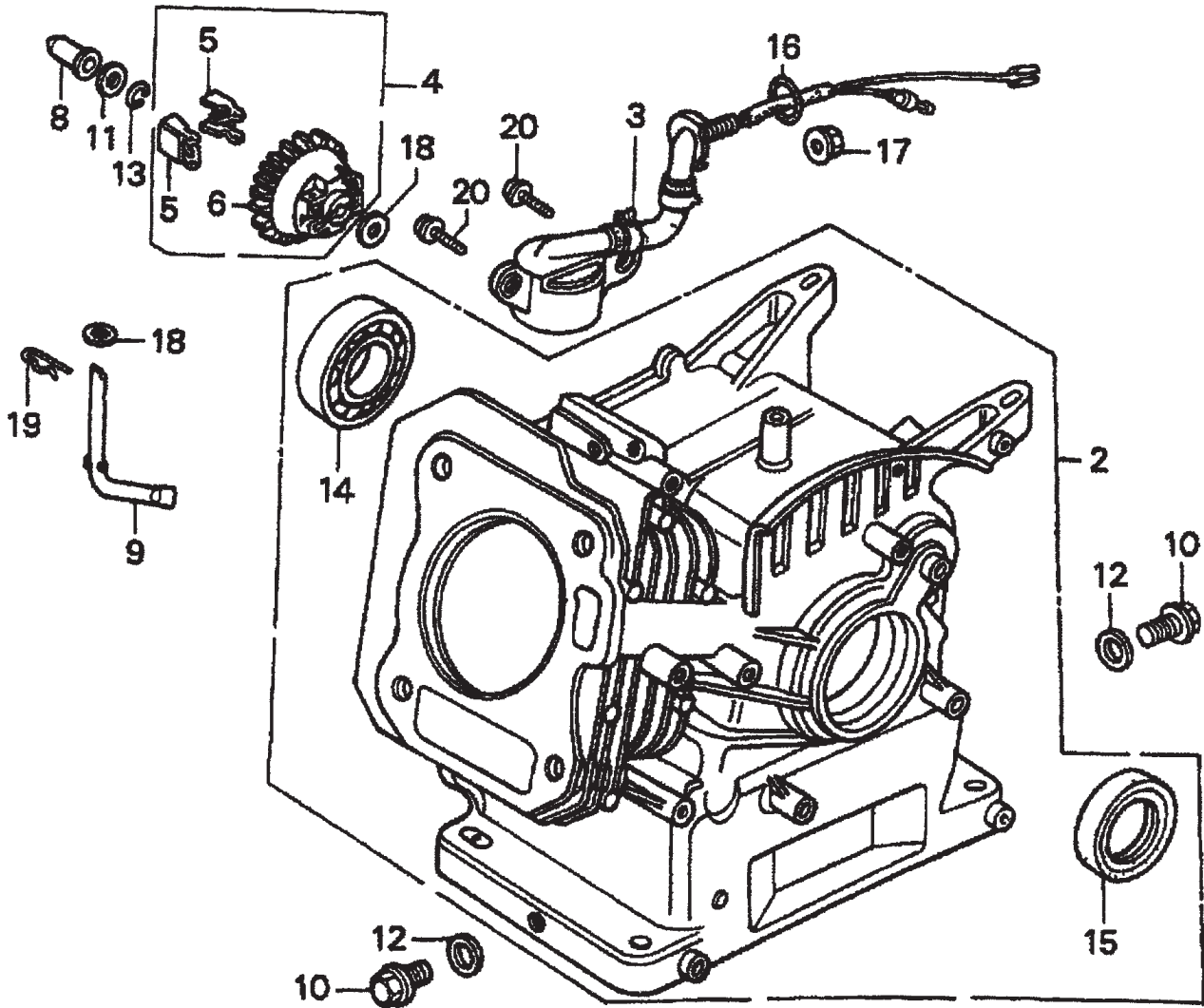
HONDA GX160K1HX2 — CRANKSHAFT ASSY.

CRANKSHAFT ASSY.

<u>NO.</u>	<u>PART NO.</u>	<u>PART NAME</u>	<u>QTY.</u>	<u>REMARKS</u>
3	13310ZE1622	CRANKSHAFT, Q- TYPE	1	

HONDA GX160K1HX2 — CYLINDER BARREL ASSY.

CYLINDER BARREL ASSY.



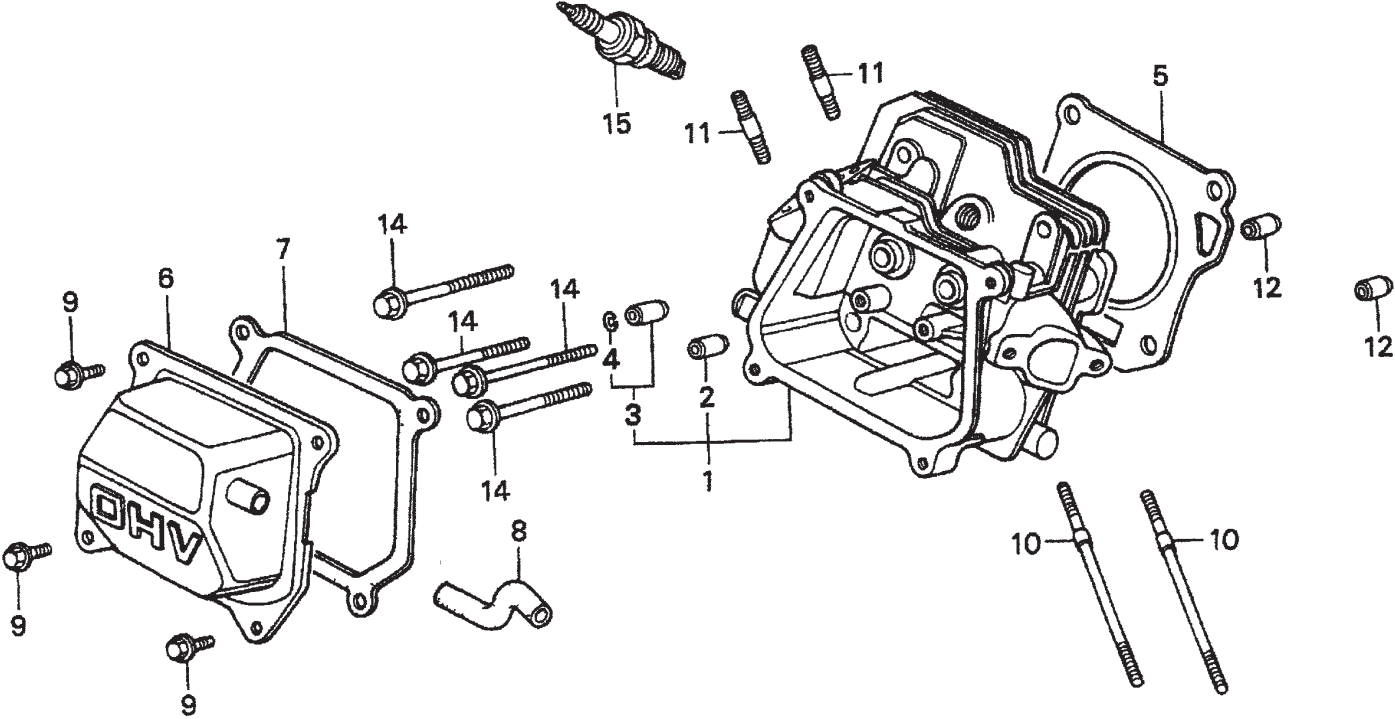
HONDA GX160K1HX2 — CYLINDER BARREL ASSY.

CYLINDER BARREL ASSY.

<u>NO.</u>	<u>PART NO.</u>	<u>PART NAME</u>	<u>QTY.</u>	<u>REMARKS</u>
2	12000ZH8811	CYLINDER ASSEMBLY, OIL ALERT	1	INCLUDES ITEMS W/*
3	15510ze1033	SWITCH ASSEMBLY, OIL LEVEL		
4	16510ZE1000	GOVERNOR ASSEMBLY	1	INCLUDES ITEMS W/#
5#	16511ZE1000	WEIGHT, GOVERNOR	2	
6#	16512ZE1000	HOLDER, GOVERNOR WEIGHT	1	
8	16531ZE1000	SLIDER, GOVERNOR	1	
9	16541ZE1000	SHAFT, GOVERNOR ARM	1	
10	90131ZE1000	BOLT, DRAIN PLUG	2	
11	80451ZE1000	WASHER, THRUST 6MM	1	
12	90601ZE1000	WASHER, DRAIN PLUG 10.2MM	2	
13	90602ZE1000	CLIP, GOVERNOR HOLDER	1	
14*	91001ZF1003	BEARING, RADIAL BALL 6205	1	
15*	91202883005	OIL SEAL 25 X 41 X 6	1	
16	91353671003	O- RING 13.5 X 1.5 (ARAI)	1	
17	9405010000	NUT, FLANGE 10MM	1	
18	9410106800	WASHER, PLAIN 6MM	2	
19	9425108000	PIN, LOCK 8MM	1	
20	957010601200	BOLT, FLANGE 6 X 12	2	

HONDA GX160K1HX2 — CYLINDER HEAD ASSY.

CYLINDER HEAD ASSY.



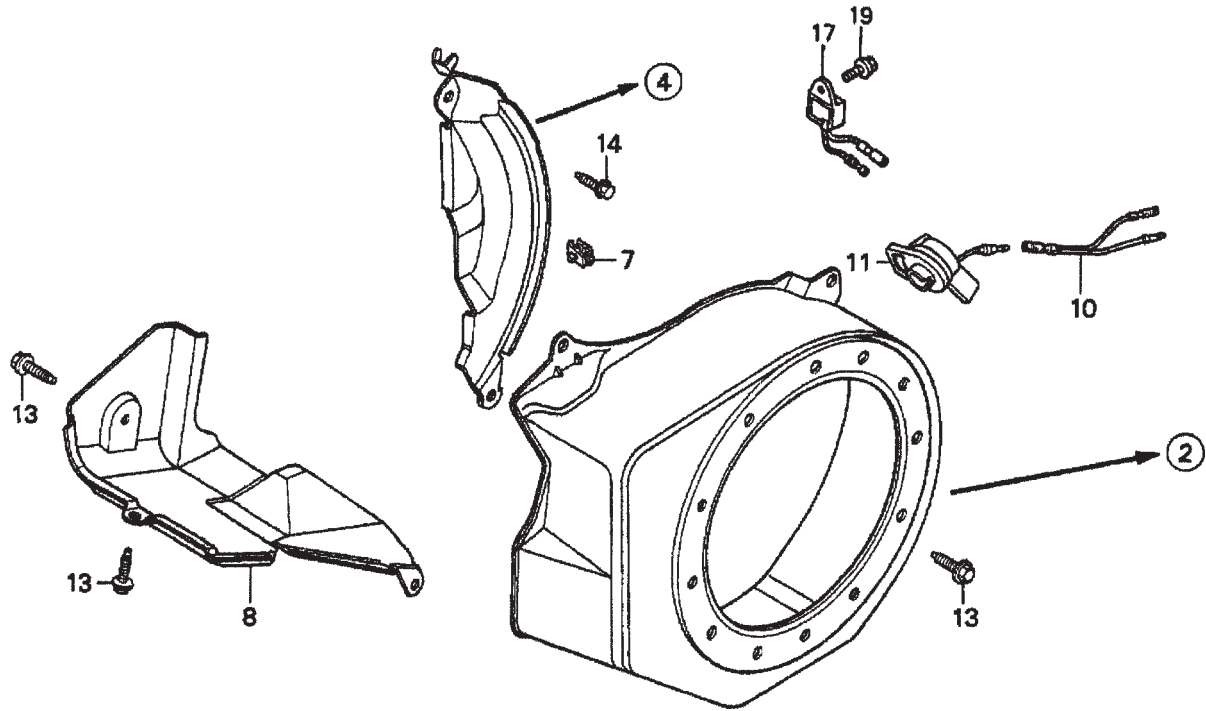
HONDA GX160K1HX2 — CYLINDER HEAD ASSY.

CYLINDER HEAD ASSY.

<u>NO.</u>	<u>PART NO.</u>	<u>PART NAME</u>	<u>QTY.</u>	<u>REMARKS</u>
1	12210ZH8000	CYLINDER HEAD	1	INCLUDES ITEMS W/*
2*	12204ZE1306	GUIDE, VALVE OS (OPTIONAL	1	
3*	12205ZE1315	GUIDE, EXHAUST VALVE OS (OPTIONAL)	1	INCLUDES ITEM W/%
4%*	12216ZE5300	CLIP, VALVE GUIDE	1	
5	12251ZF1800	GASKET, CYLINDER HEAD	1	
6	12310ZE1020	COVER, HEAD	1	
7	12391ZE1000	GASKET, CYLINDER HEAD COVER	1	
8	15721ZH8000	TUBE, BREATHER	1	
9	90016ZE1000	BOLT, FLANGE 6 X13	4	
10	90043ZE1020	BOLT, STUD 6 X109	2	
11	90047ZE1000	BOLT, STUD 8 X 32	2	
12	9430110160	PIN A, DOWEL 10 X16	2	
14	957230806000	BOLT, FLANGE 8 X60	4	
15	9807956846	SPARK PLUG BPR6ES (NGK)	1	

HONDA GX160K1HX2 — FAN COVER ASSY.

FAN COVER ASSY.



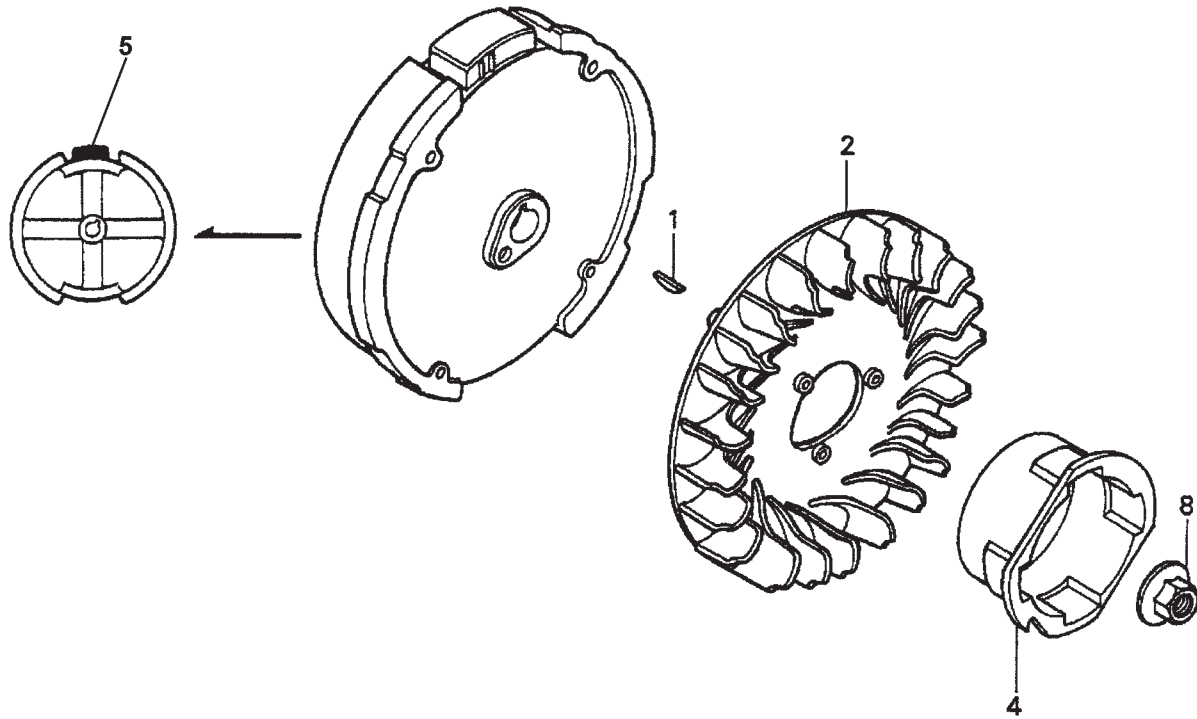
HONDA GX160K1HX2 — FAN COVER ASSY.

FAN COVER ASSY.

<u>NO.</u>	<u>PART NO.</u>	<u>PART NAME</u>	<u>QTY.</u>	<u>REMARKS</u>
2	19610ZE1000ZC	COVER, FAN "NH1" (BLACK)	1	
4	19611ZH8810	PLATE, SIDE (OIL ALERT)	1	
7	90601ZH7013	CLIP, HARNESS	1	
8	19630ZH8000	SHROUD	1	
10	32197ZH8003	SUB- HARNESS	1	
11	36100ZE1015	SWITCH ASSEMBLY, ENGINE STOP	1	
13	90013883000	BOLT, FLANGE 6 X12 (CT200)	6	
14	90022888010	BOLT, FLANGE 6 X20 (CT200)	1	
17	34150ZH7003	ALERT UNIT, OIL	1	
19	957010600800	BOLT, FLANGE 6 X8	1	

HONDA GX160K1HX2 — FLYWHEEL ASSY.

FLYWHEEL ASSY.



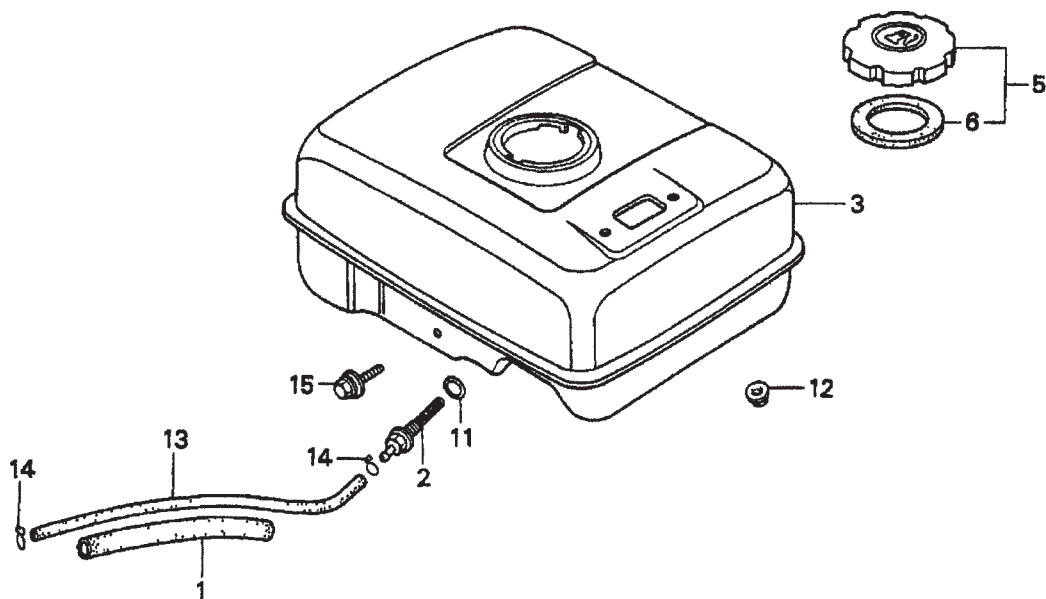
HONDA GX160K1HX2 — FLYWHEEL ASSY.

FLYWHEEL ASSY.

<u>NO.</u>	<u>PART NO.</u>	<u>PART NAME</u>	<u>QTY.</u>	<u>REMARKS</u>
1	13331357000	KEY, SPECIAL WOODRUFF (25 X18)	1	
2	19511ZE1000	FAN, COOLING	1	
4	28451ZH8003	PULLEY, STARTER	1	
5	31100ZE1010	FLYWHEEL	1	
5	31100ZE1810	FLYWHEEL, LAMP	1	
8	90201878003	NUT, SPECIAL 14MM	1	

HONDA GX160K1HX2 — FUEL TANK ASSY.

FUEL TANK ASSY.



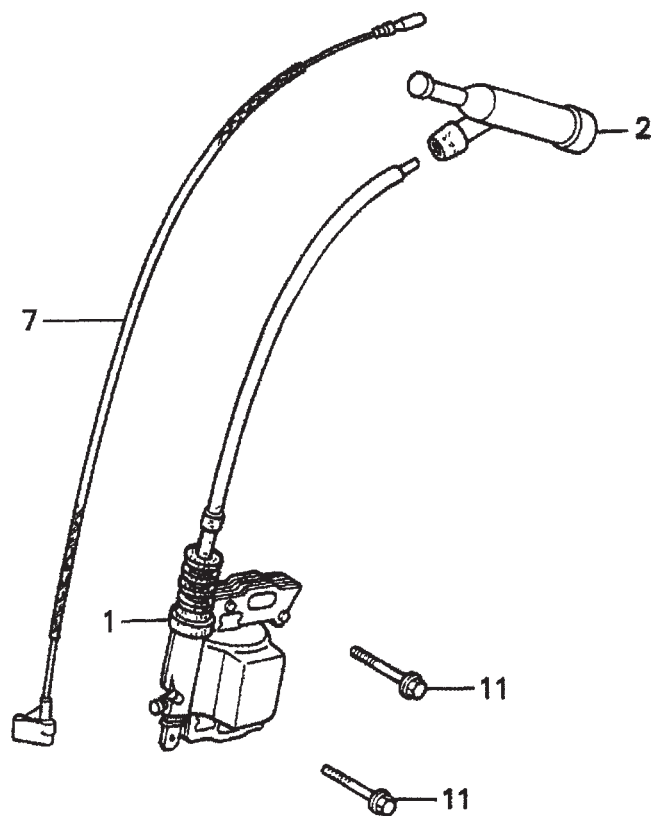
HONDA GX160K1HX2 — FUEL TANK ASSY.

FUEL TANK ASSY.

<u>NO.</u>	<u>PART NO.</u>	<u>PART NAME</u>	<u>QTY.</u>	<u>REMARKS</u>
1	16854ZH8000	RUBBER, SUPPORTER 107MM	1	
2	16955ZE1000	JOINT, FUEL TANK	1	
3	17510ZE1020ZB	TANK, FUEL *R8* (BRIGHT RED)	1	
3	17510ZE1020ZF	TANK, FUEL *NH1* (BLACK)	1	
5	17620ZH7023	CAP, FUEL FILLER	1	INCLUDES ITEM W/*
6*	17631ZH7003	GASKET, FUEL FILLER CAP	1	
11	91353671003	O- RING 13.5 X1.5 (ARAI)	1	
12	9405006000	NUT, FLANGE 6MM	2	
13	950014500360M	BULK HOSE, FUEL 4.5 X 3000 (4.5 X 140)	1	
14	9500202080	CLIP, TUBE B8	2	
15	957010602500	BOLT, FLANGE 6 X 25	1	

HONDA GX160K1HX2 — IGNITION COIL ASSY.

IGNITION COIL ASSY.



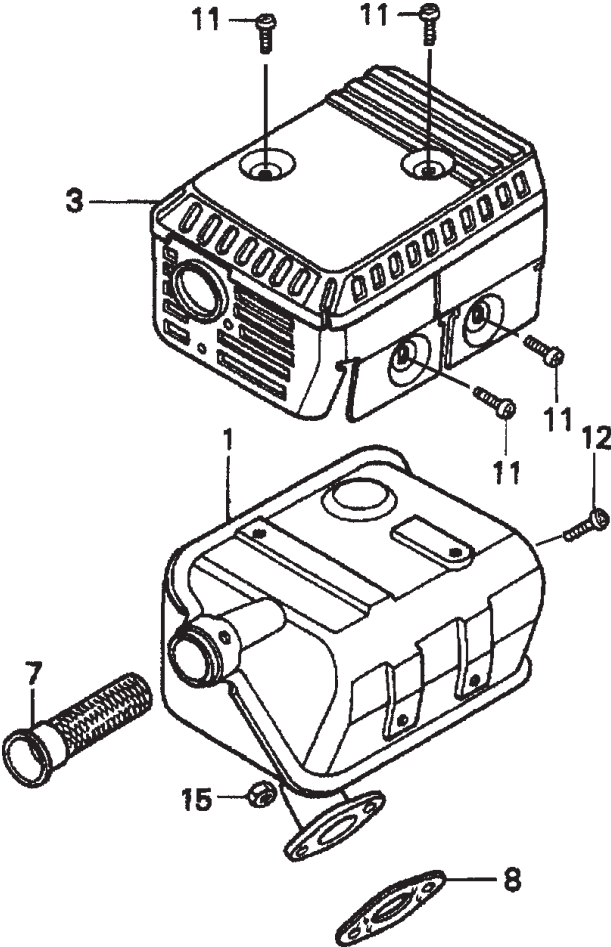
HONDA GX160K1HX2 — IGNITION COIL ASSY.

IGNITION COIL ASSY.

<u>NO.</u>	<u>PART NO.</u>	<u>PART NAME</u>	<u>QTY.</u>	<u>REMARKS</u>
1	30500ZE1043	COIL ASSEMBLY, IGNITION	1	
2	30700ZE1013	CAP ASSEMBLY, NOISE SUPPRESSOR	1	
7	36101ZE1010	WIRE, STOP SWITCH 370MM	1	
11	957010602500	BOLT, FLANGE 6 X25	2	

HONDA GX160K1HX2 — MUFFLER ASSY.

MUFFLER ASSY.



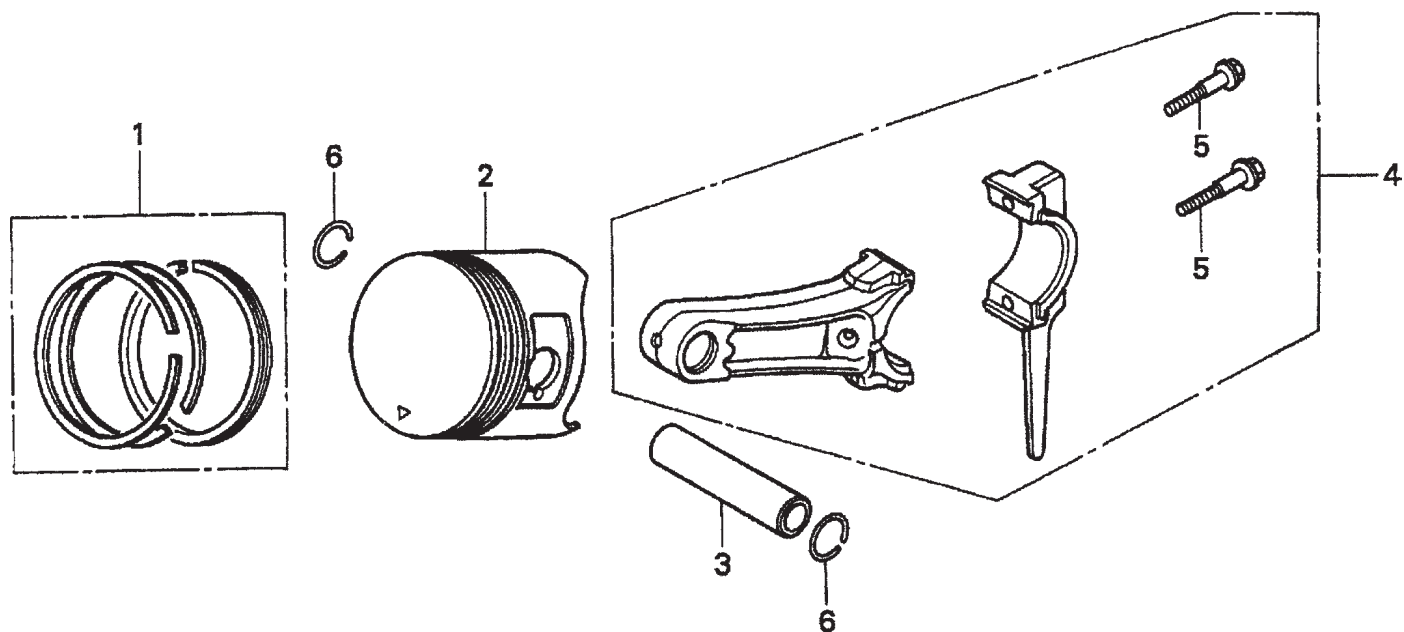
HONDA GX160K1HX2 — MUFFLER ASSY.

MUFFLER ASSY.

<u>NO.</u>	<u>PART NO.</u>	<u>PART NAME</u>	<u>QTY.</u>	<u>REMARKS</u>
1	18310ZF1000	MUFFLER	1	
1	18310ZH8810	MUFFLER (OPTIONAL)	1	
3	18320ZF1H01	PROTECTOR, MUFFLER	1	
7	18355ZE1000	ARRESTER, SPARK (OPTIONAL)	1	
8	18381ZH8800	GASKET, MUFFLER	1	
11	90050ZE1000	SCREW, TAPPING 5 X 8 (OPTIONAL)	4	
12	90055ZE1000	SCREW, TAPPING 4 X 6 (OPTIONAL)	1	
15	020108060	NUT, HEX. 8MM	2	

HONDA GX160K1HX2 — PISTON ASSY.

PISTON ASSY.



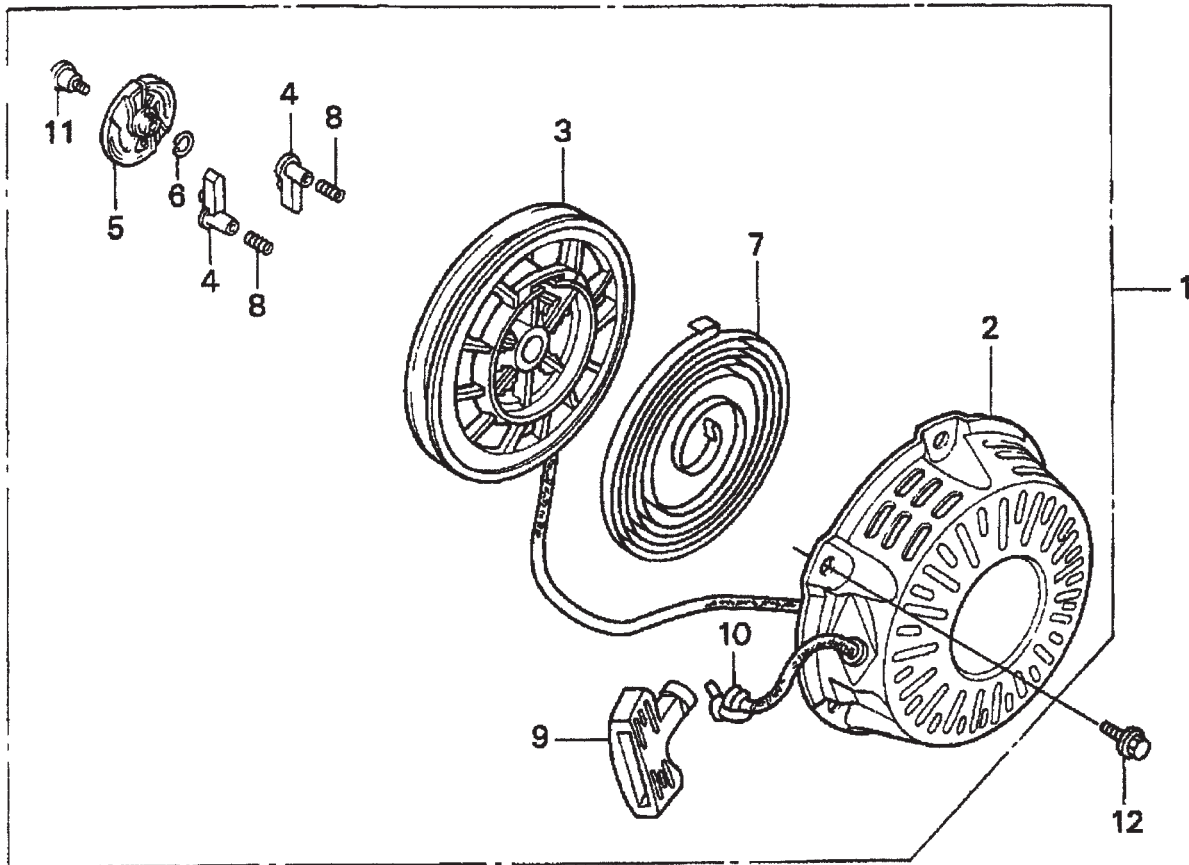
HONDA GX160K1HX2 — PISTON ASSY.

PISTON ASSY.

<u>NO.</u>	<u>PART NO.</u>	<u>PART NAME</u>	<u>QTY.</u>	<u>REMARKS</u>
1	13010ZF1023	RING SET, PISTON (STANDARD)	1	USE UP TO ENG S/N 5495899
1	13010ZH8941	RING SET, PISTON (STANDARD)	1	USE FROM ENG S/N 5495900
1	13011ZF1023	RING SET, PISTON (OS 0.25)	1	USE UP TO ENG S/N 5495899
1	13011ZH8941	RING SET, PISTON (OS 0.25), OPTIONAL	1	USE FROM ENG S/N 5495900
1	13012ZF1023	RING SET, PISTON (OS 0.50), OPTIONAL	1	USE UP TO ENG S/N 5495899
1	13012ZH8941	RING SET, PISTON (OS 0.50), OPTIONAL	1	USE FROM ENG S/N 5495900
1	13013ZF1023	RING SET, PISTON (0.75), OPTIONAL	1	USE UP TO ENG S/N 5495899
1	13013ZH8941	RING SET, PISTON (0.75), OPTIONAL	1	USE FROM ENG S/N 5495900
2	13101ZH8010	PISTON (STANDARD)	1	
2	13102ZH8000	PISTON (OS 0.25), OPTIONAL	1	
2	13101ZH8010	PISTON (OS 0.50), OPTIONAL	1	
2	13104ZH8000	PISTON (0.75), OPTIONAL	1	
3	13111ZE1000	PIN, PISTON	1	
4	132A0ZE1000	ROD ASSY., CONNECTING (US 0.25), OPT.	1	
4	13200ZE1010	ROD ASSEMBLY, CONNECTING	1	
5	90001ZE1000	BOLT, CONNECTING ROD	2	
6	90551ZE1000	CLIP, PISTON PIN 18MM	2	

HONDA GX160K1HX2 — RECOIL STARTER ASSY.

RECOIL STARTER ASSY.



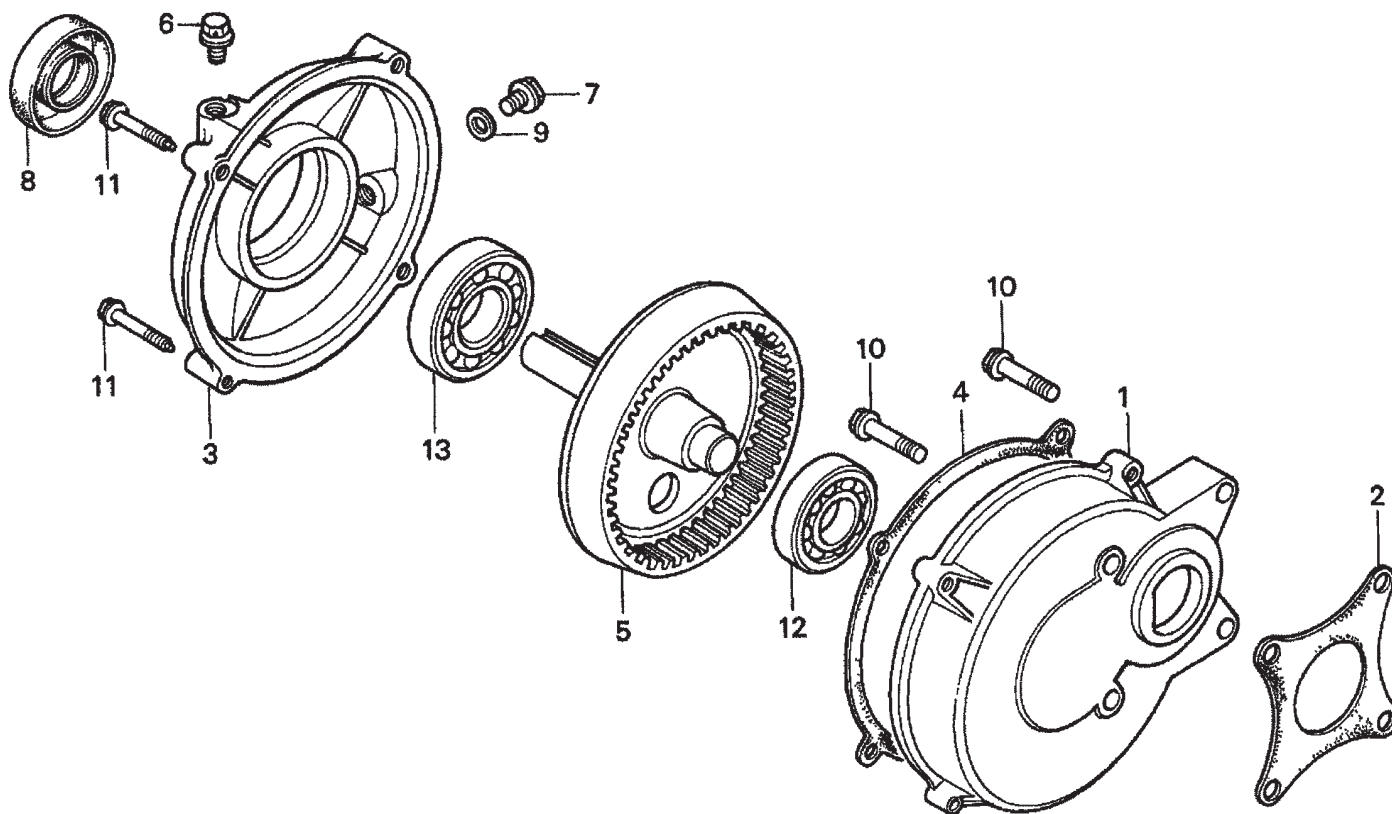
HONDA GX160K1HX2 — RECOIL STARTER ASSY.

RECOIL STARTER ASSY.

<u>NO.</u>	<u>PART NO.</u>	<u>PART NAME</u>	<u>QTY.</u>	<u>REMARKS</u>
1	28400ZH8013ZB	STARTER ASSY., RECOIL "NH1" BLACK	1	INCLUDES ITEM W/*
2*	28410ZH8003ZB	CASE, RECOIL STARTER "NH1" BLACK	1	
3*	28420ZH8013	REEL, RECOIL STARTER	1	
4*	28422ZH8013	RATCHET, STARTER	2	
5*	28433ZH8003	GUIDE, RATCHET	1	
6*	28441ZH8003	SPRING, FRICTION	1	
7*	28442ZH8003	SPRING, RECOIL STARTER	1	
8*	28443ZH8003	SPRING, RETURN	2	
9*	28461ZH8003	KNOB, RECOIL STARTER	1	
10*	28462ZH8003	ROPE, RECOIL STARTER	1	
11*	90003ZH8003	SCREW, SETTING	1	
12	90008ZE2003	BOLT, FLANGE 6 X10	3	

HONDA GX160K1HX2 — GEAR REDUCTION ASSY.

1/6 GEAR REDUCTION ASSY.



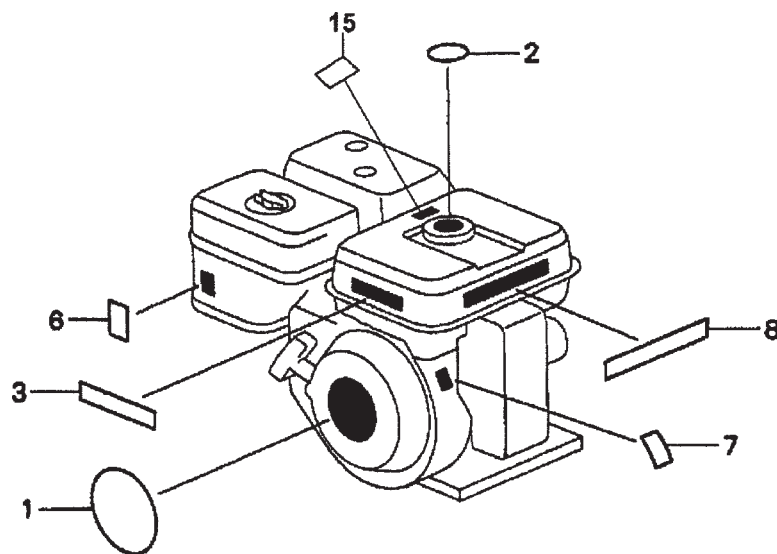
HONDA GX160K1HX2 — GEAR REDUCTION ASSY.

1/6 GEAR REDUCTION ASSY.

<u>NO.</u>	<u>PART NO.</u>	<u>PART NAME</u>	<u>QTY.</u>	<u>REMARKS</u>
1	21521883741	CASE REDUCTION	1	
2	21591ZH8740	GASKET, REDUCTION CASE	1	
3	21621883741	COVER, REDUCTION	1	
4	21692ZH8800	GASKET, REDUCTION COVER	1	
5	23710883740	SHAFT, PTO	1	
6	90002883740	BOLT, BREATHING	1	
7	90131883000	BOLT, DRAIN	1	
7	90131896650	BOLT, DRAIN	1	
8	91202883005	OIL SEAL 25 X41 X 6	1	
9	9410912000	WASHER, DRAIN PLUG 12MM	1	
10	957010803208	BOLT, FLANGE 8X32	4	
11	957010803500	BOLT, FLANGE 8X35	4	
12	961006204000	BEARING, RADIAL BALL 6204	1	
13	961006305000	BEARING, RADIAL BALL 6305	1	

HONDA GX160K1HX2 — ENGINE LABELS ASSY.

ENGINE LABELS ASSY.



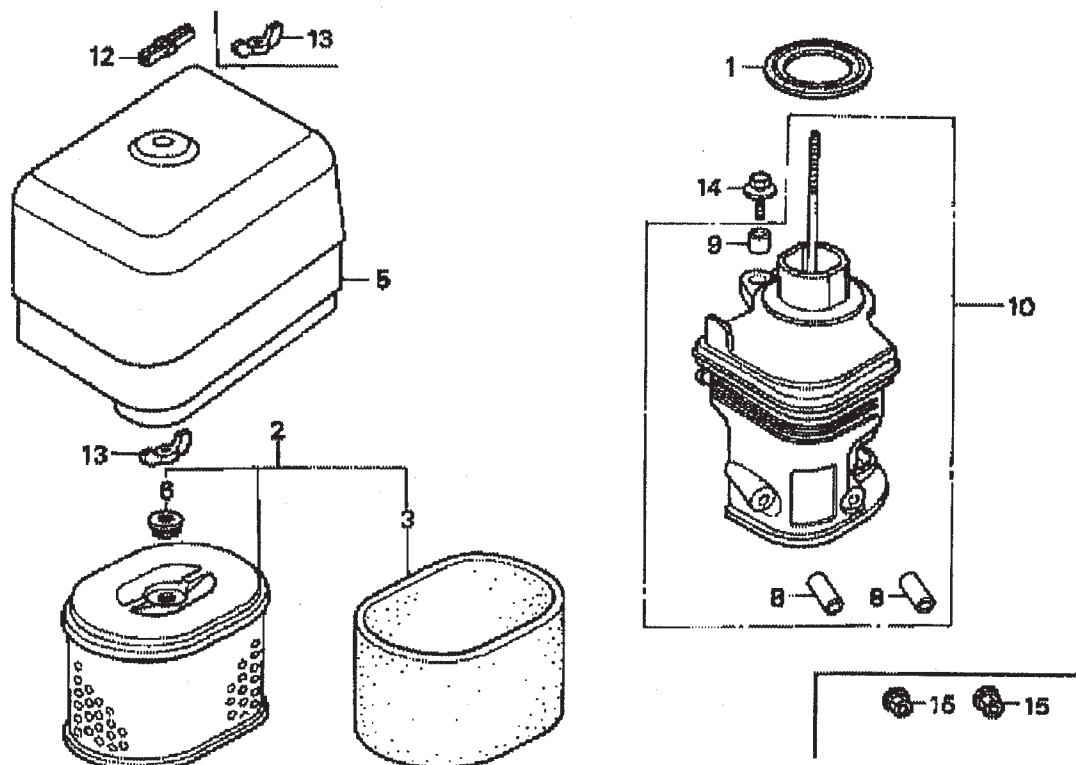
HONDA GX160K1HX2 — ENGINE LABELS ASSY.

ENGINE LABELS ASSY.

<u>NO.</u>	<u>PART NO.</u>	<u>PART NAME</u>	<u>QTY.</u>	<u>REMARKS</u>
1	87521ZH8020	ENBLEM 5.5	1	
3	87522ZH9000	LABEL, CAUTION	1	
6	87528ZE1810	MARK, CHOKE	1	
7	87530ZH8810	LABEL, SPECIFICATION (EXTERNAL)	1	
8	87532ZH8810	MARK, OIL ALERT (E)	1	
15	887586ZH7W00	LABEL, FUEL CAUTION	1	

HONDA GX240K1HA2 ENGINE — AIR CLEANER ASSY.

AIR CLEANER ASSY.



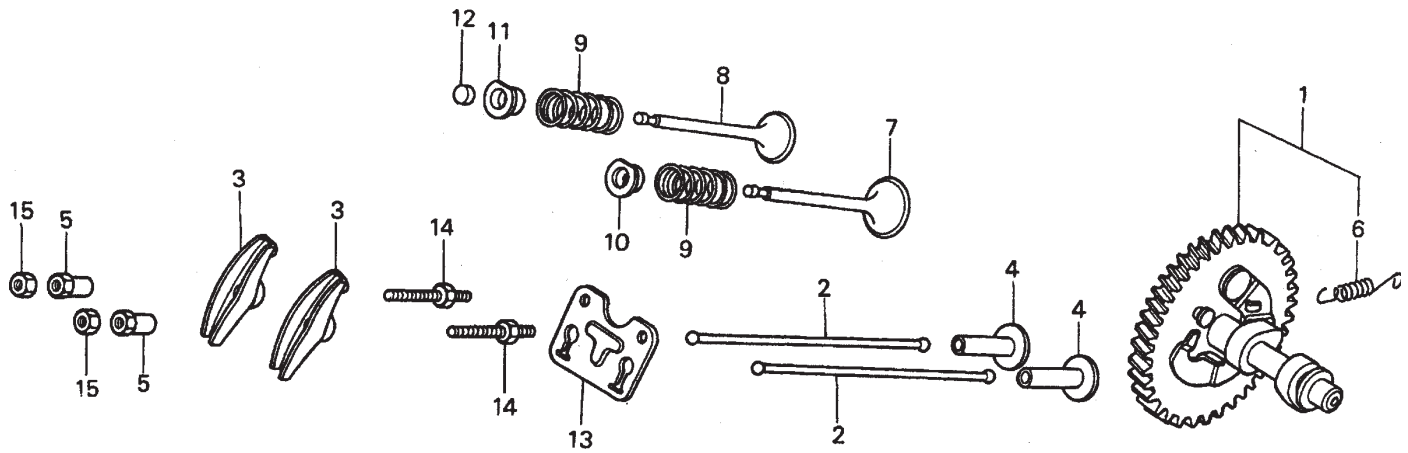
HONDA GX240K1HA2 ENGINE — AIR CLEANER ASSY.

AIR CLEANER ASSY.

<u>NO.</u>	<u>PART NO.</u>	<u>PART NAME</u>	<u>QTY.</u>	<u>REMARKS</u>
1	16271ZE2000	GASKET, ELBOW	1	INCLUDES ITEM W/*
2	17210ZE2515	ELEMENT, AIR CLEANER, DUAL	1	
3 *	17218ZE2505	FILTER, OUTER	1	
5	17231ZH9820	COVER, AIR CLEANER	1	
6	17232891000	GROMMET, AIR CLEANER	1	
8 #	17238ZE2310	COLLAR, AIR CLEANER	2	
9 #	17239ZE1000	COLLAR B, AIR CLEANER	1	
10	17410ZE2020	ELBOW COMP., AIR CLEANER	1	INCLUDES ITEM W/#
12	0037806000	WINGNUT 6MM	1	
13	90325044000	WINGNUT, TOOL BOX SETTING	2	
14	90009ZE2003	BOLT- WASHER 6 X 22	1	
15	9405006000	NUT, FLANGE 6MM	2	

HONDA GX240K1HA2 ENGINE — CAMSHAFT ASSY.

CAMSHAFT ASSY.



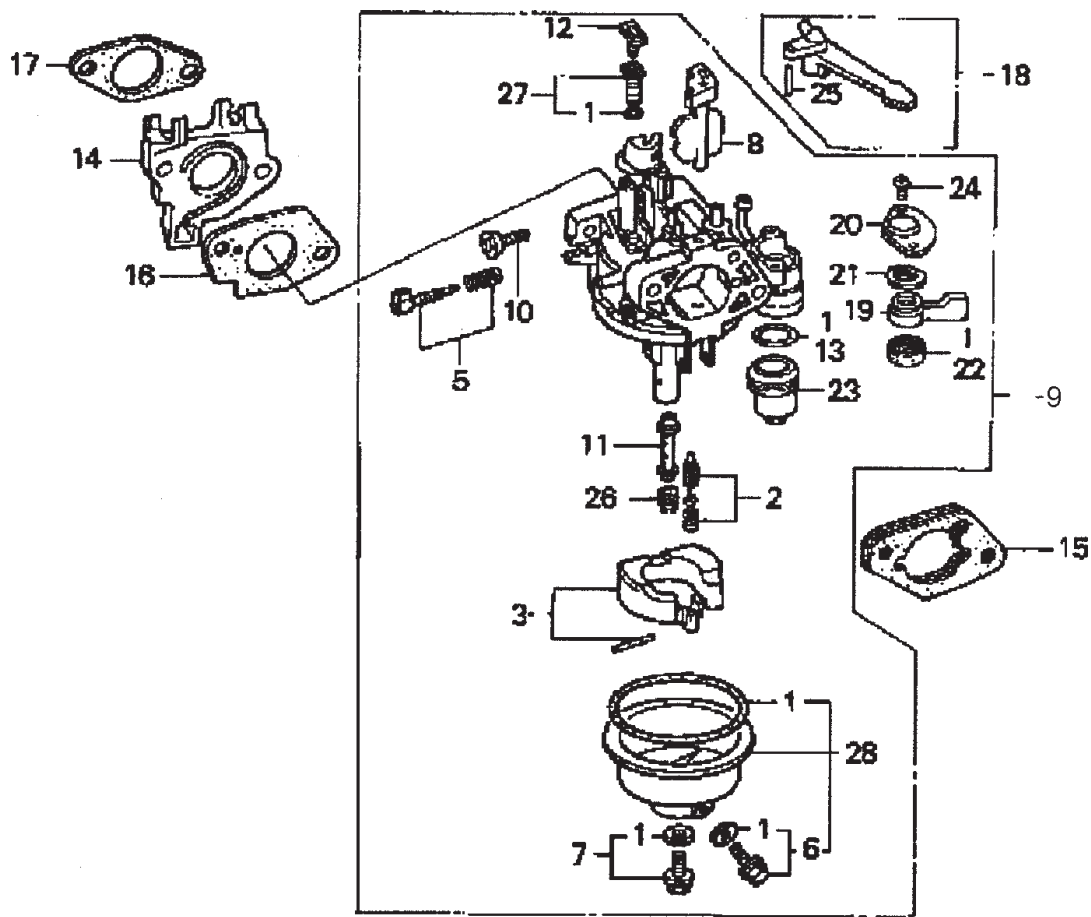
HONDA GX240K1HA2 ENGINE — CAMSHAFT ASSY.

CAMSHAFT ASSY.

<u>NO.</u>	<u>PART NO.</u>	<u>PART NAME</u>	<u>QTY.</u>	<u>REMARKS</u>
1	14100ZE2W01	CAMSHAFT ASSY.	1	INCLUDES ITEM W/*
1	14100ZE2306	CAMSHAFT	1	
2	14410ZE2013	ROD PUSH	2	
3	14431ZE2010	ARM VALVE ROCKER	2	
4	14441ZE2000	LIFTER VALVE	2	
5	14451ZE1013	PIVOT ROCKER ARM	2	
6*	14568ZE1000	SPRING, WEIGHT RETURN	1	
7	14711ZE2000	VALVE, IN.	1	
8	14721ZE2000	VALVE, EX.	1	
9	14751ZE2003	SPRING, VALVE	2	
10	14771ZE2000	RETAINER, IN. VALVE SPRING	1	
11	14773ZE2000	RETAINER, EX. VALVE SPRING	1	
12	14781ZE2000	ROTATOR, VALVE	1	
13	14791ZE2010	PLATE, PUSH ROD GUIDE	1	
14	90012ZE0010	BOLT, PIVOT 8MM	2	
15	90206ZE1000	NUT, PIVOT ADJ.	2	

HONDA GX240K1HA2 ENGINE — CARBURETOR ASSY.

CARBURETOR ASSY.



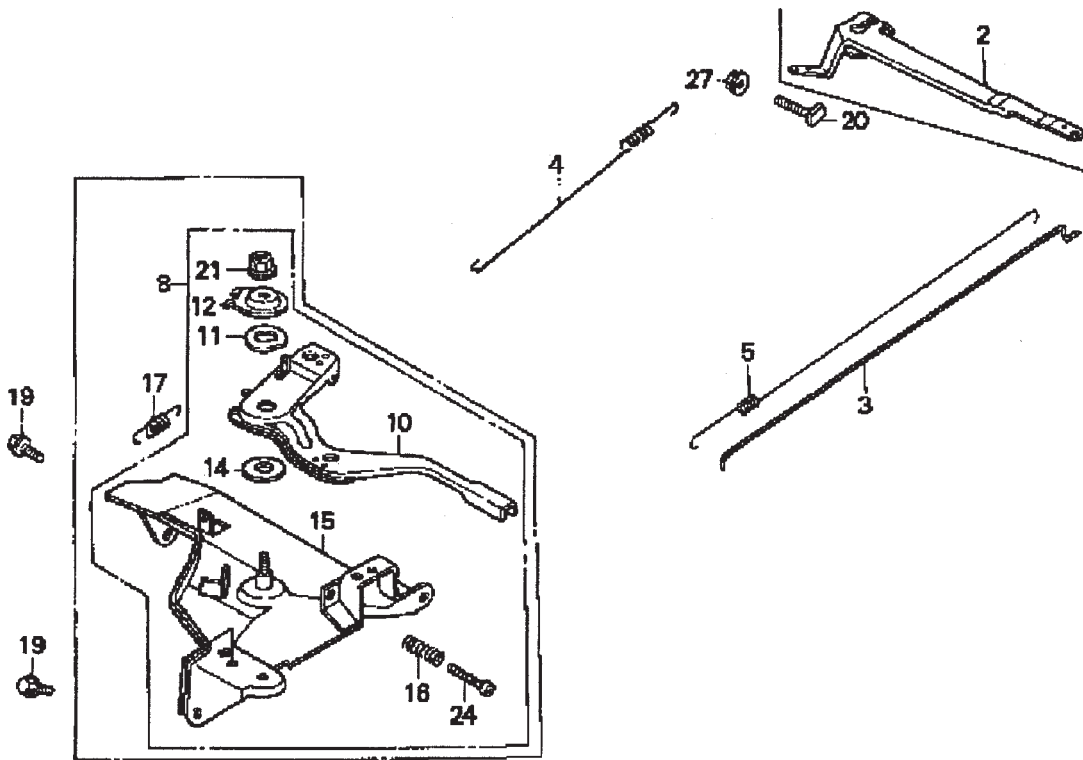
HONDA GX240K1HA2 ENGINE — CARBURETOR ASSY.

CARBURETOR ASSY.

<u>NO.</u>	<u>PART NO.</u>	<u>PART NAME</u>	<u>QTY.</u>	<u>REMARKS</u>
1*+	16010ZE2812	GASKET SET	1	
2*	16011ZA0931	VALVE SET, FLOAT	1	
3*	16013ZA0931	FLOAT SET	1	
5*	16016ZHW01	SCREW SET	1	
6*+	16024ZE1811	SCREW SET, DRAIN	1	
7*+	16028ZE0005	SCREW SET B	1	
8*	16028ZE2005	CHOKE SET	1	
9*	16100ZE2W71	CARBURETOR ASSY.....	1 INCLUDES ITEMS W/*
10*	16124ZE0005	SCREW, THROTTLE STOP	1	
11*	16166ZE2W70	NOZZLE, MAIN	1	
12*	16075GHBB00	COLLAR, SET	1	
13*	16075GHBB00	O-RING	1	
14	16211ZE2000	INSULATOR, CARB.	1	
15	16220ZA0702	SPACER COMP., CARB.	1	
16	16221ZA0800	GASKET, CARBURETOR	1	
17	16223ZA0800	GASKET, INSULATOR	1	
18	16610ZE1000	LEVER COMP., CHOKE, STD.	1	
19*	16953ZE1812	LEVER, VALVE	1	
20*	16954ZE1811	PLATE, LEVER SETTING	1	
21*	16956ZE1811	SPRING, VALVE LEVER	1	
22*	16957ZE1812	GASKET, VALVE	1	
23*	16967ZE0811	CUP, FUEL STRAINER	1	
24*	93500030060H	SCREW, PAN 3 X 6	2	
25	9430520122	PIN, SPRING 2 X 12	1	
26*	99101ZH70820	JET, MAIN #82, OPTIONAL	1	
26*	99101ZH70850	JET, MAIN #85, OPTIONAL	1	
26*	99101ZH80880	JET, MAIN #88	1	
27*	99204ZE20400	JET SET, PILOT #40	1	
28*	16015ZE8005	CHAMBER SET, FLOAT	1 INCLUDES ITEMS W/+

HONDA GX240K1HA2 ENGINE — CONTROL ASSY.

CONTROL ASSY.



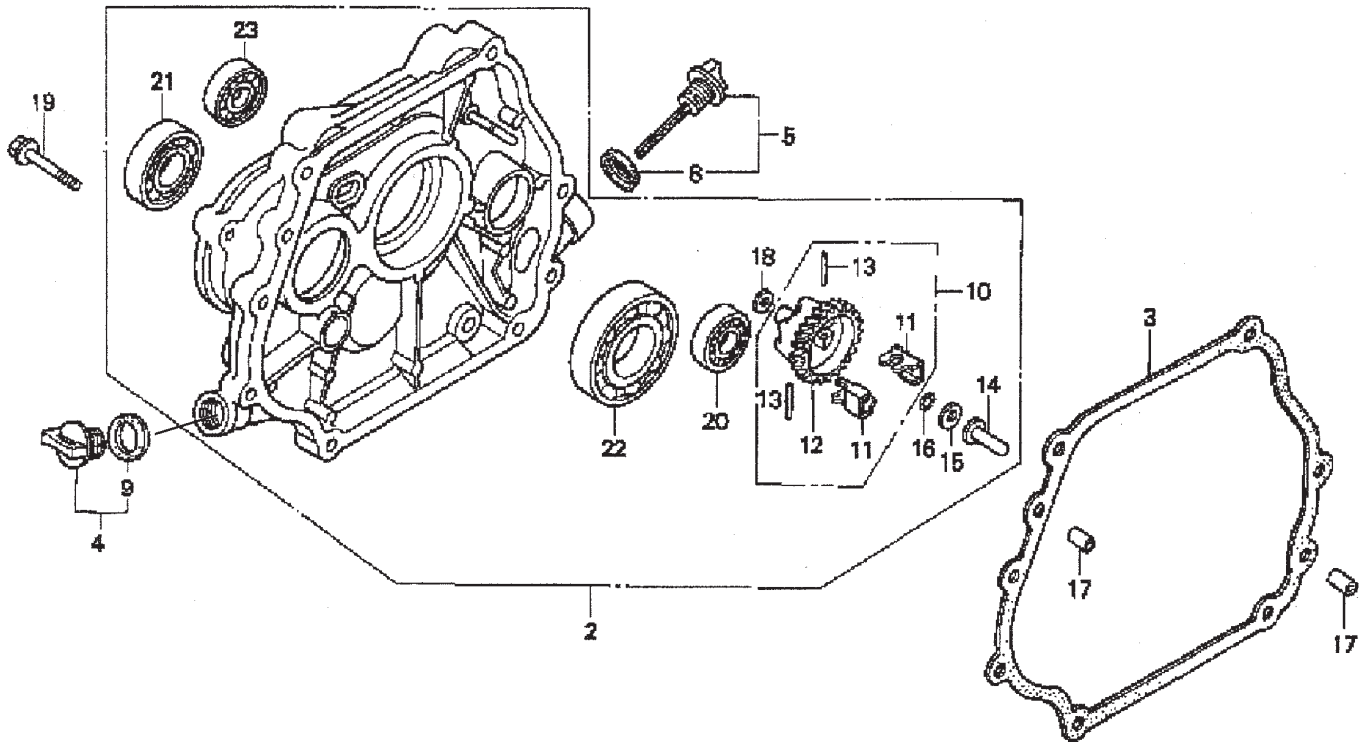
HONDA GX240K1HA2 ENGINE — CONTROL ASSY.

CONTROL ASSY.

<u>NO.</u>	<u>PART NO.</u>	<u>PART NAME</u>	<u>QTY.</u>	<u>REMARKS</u>
2	16551ZE2000	ARM, GOVERNOR	1	
3	16555ZE2000	ROD, GOVERNOR	1	
4	16561ZE2000	SPRING, GOVERNOR	1	
5	16571ZE2000	SPRING, THROTTLE RETURN	1	
8	16570ZE2W00	CONTROL ASSEMBLY	1	INCLUDES ITEMS W/*
10*	16571ZE2W00	LEVER, CONTROL	1	
11*	16574ZE1000	SPRING, LEVER	1	
12*	16575ZE2W00	WASHER, CONTROL LEVER	1	
14*	16578ZE1000	SPACER, CONTROL LEVER	1	
15*	16581ZE2W00	BASE, CONTROL	1	
16*	16584883300	SPRING, CONTROL ADJUSTING	1	
19	90013883000	BOLT, FLANGE (6 X 12) (CT200)	2	
20	90015ZE5010	BOLT, GOVERNOR ARM	1	
21*	90114SA0000	NUT, SELF- LOCK (6MM)	1	
24*	93500050280A	SCREW, PAN (5 X 28)	1	
27	9405006000	NUT, FLANGE	1	

HONDA GX240K1HA2 ENGINE — CRANKCASE COVER ASSY.

CRANKCASE COVER ASSY.



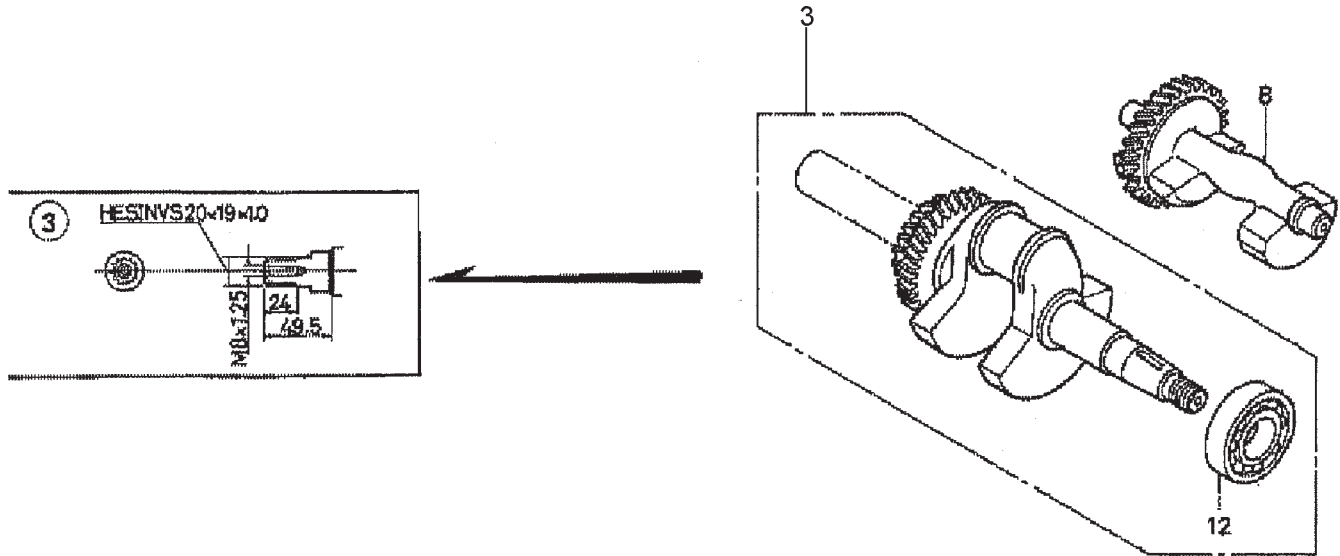
HONDA GX240K1HA2 ENGINE — CRANKCASE COVER ASSY.

CRANKCASE COVER ASSY.

<u>NO.</u>	<u>PART NO.</u>	<u>PART NAME</u>	<u>QTY.</u>	<u>REMARKS</u>
2	11400ZE2621	COVER ASSY., CRANKCASE (H-TYPE) (BALANCER)	1	INCLUDES ITEMS W/*
3	11381ZE2801	GASKET, CASE COVER	1	
4	15600ZG4003	CAP ASSY., OIL FILLER	1	INCLUDES ITEMS W/#
5	15600735003	CAP ASSY., OIL FILLER	1	INCLUDES ITEMS W/%
8%	15625ZE1003	GASKET, OIL FILLER CAP	1	
9#	15625ZE1003	GASKET, OIL FILLER CAP	1	
10	16510ZE2811	GOVERNOR ASSEMBLY (BALANCER)	1	INCLUDES ITEMS W/+
11*+	16511ZE2000	WEIGHT, GOVERNOR	2	
12*+	16512ZE2811	HOLDER, GOVERNOR WEIGHT	1	
13*+	16513ZE2000	PIN, GOVERNOR WEIGHT	2	
14*	16531ZE2000	SLIDER, GOVERNOR	1	
15*	90473147000	WASHER (6 X 16)	1	
16*	90602ZE1000	CLIP, GOVERNOR HOLDER	1	
17	90701HC4000	PIN, DOWEL (8 X 12)	2	
18*	58176	WASHER, PLAIN (6MM)	1	
19	957010803500	BOLT, FLANGE (8 X 35)	7	
20*	961006202000	BEARING, RADIAL BALL (6202)	1	
21*	961006204000	BEARING, RADIAL BALL (6204)	1	
22*	961006206000	BEARING, RADIAL BALL (6206)	1	
23*	961006302000	BEARING, RADIAL BALL (6302)	1	

HONDA GX240K1HA2ENGINE — CRANKSHAFT ASSY.

CRANKSHAFT ASSY.



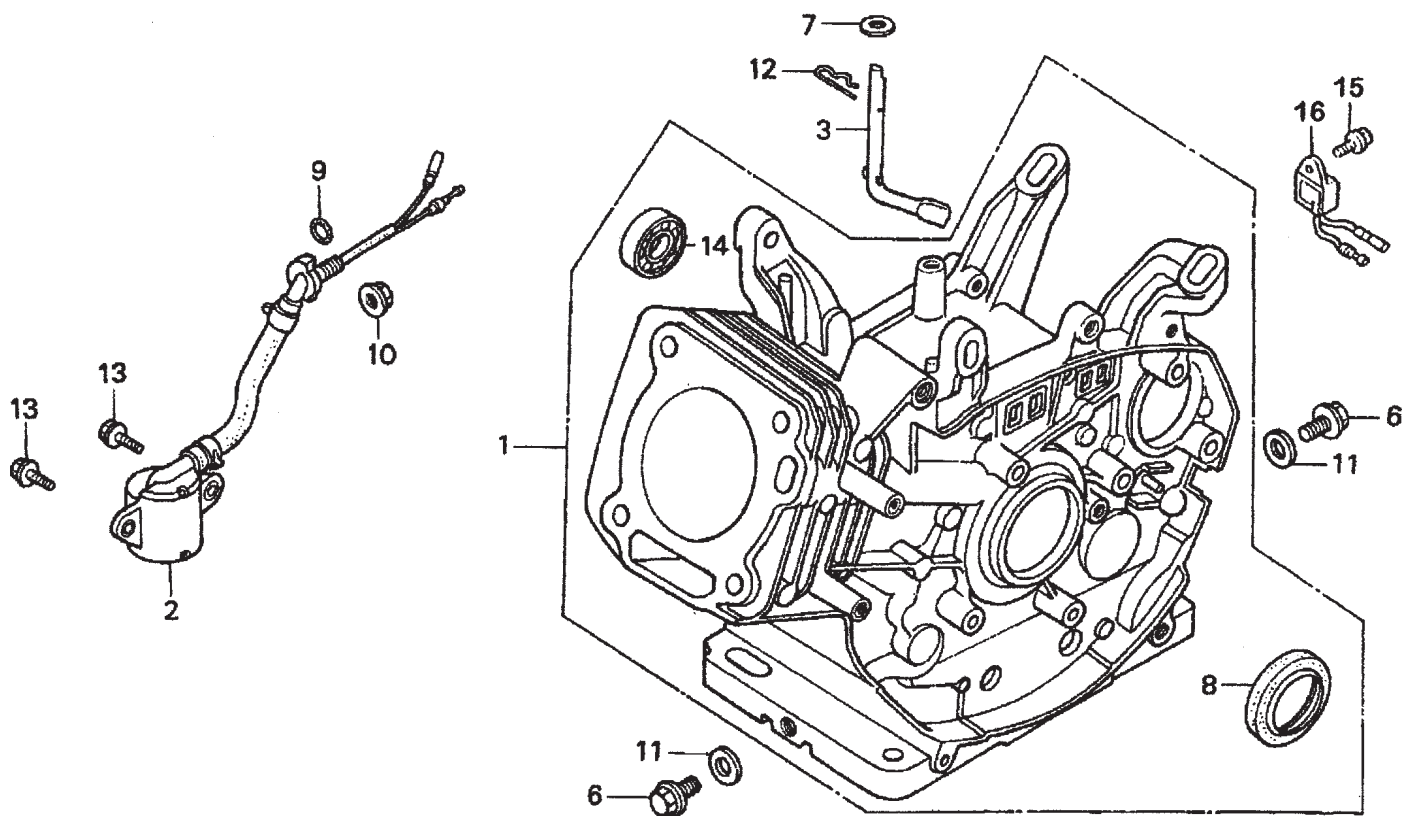
HONDA GX240K1HA2ENGINE — CRANKSHAFT ASSY.

CRANKSHAFT ASSY.

<u>NO.</u>	<u>PART NO.</u>	<u>PART NAME</u>	<u>QTY.</u>	<u>REMARKS</u>
3	13320ZE2611	CRANKSHAFT (L- TYPE).....	1	INCLUDES ITEM W/*
8	13351ZE2010	WEIGHT BALANCER	1	
12*	961006206000	BEARING, RADIAL BALL (6206)	1	

HONDA GX240K1HA2 ENGINE — CYLINDER BARREL ASSY.

CYLINDER BARREL ASSY.



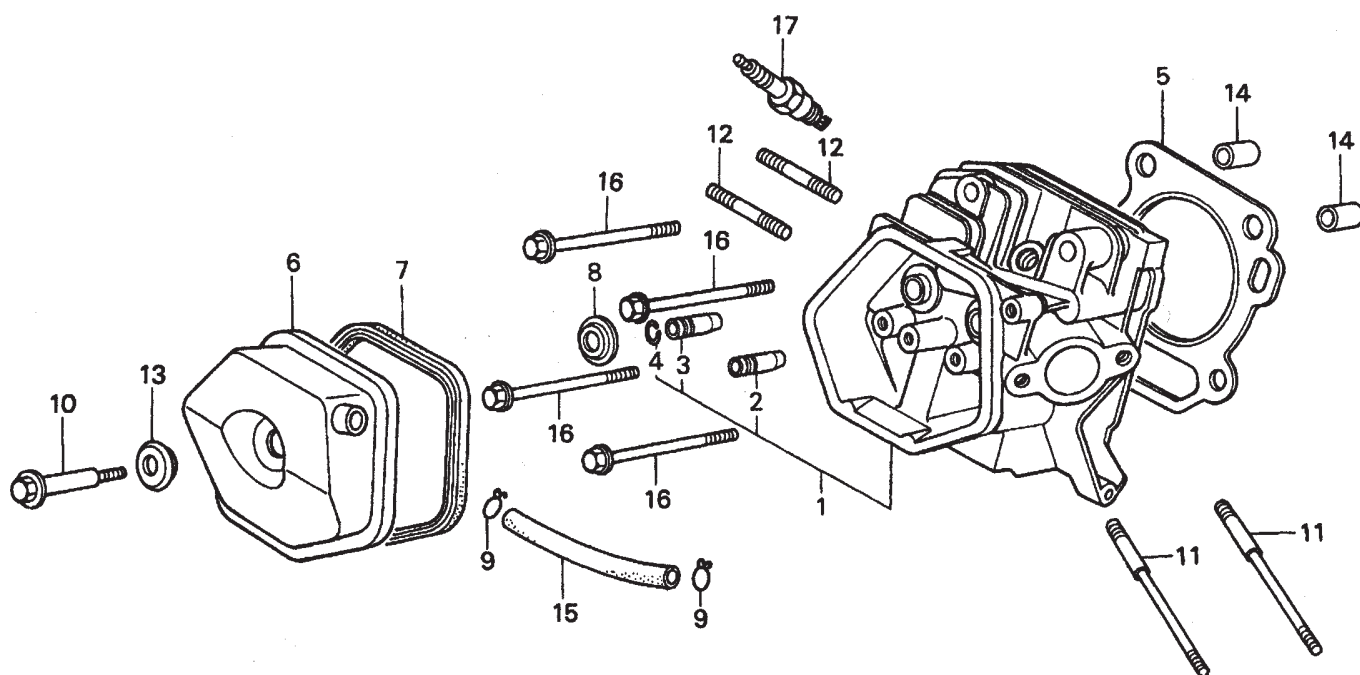
HONDA GX240K1HA2 ENGINE — CYLINDER BARREL ASSY.

CYLINDER BARREL ASSY.

<u>NO.</u>	<u>PART NO.</u>	<u>PART NAME</u>	<u>QTY.</u>	<u>REMARKS</u>
1	12000ZE2834	CYLINDER ASSY., BALANCER + OIL ALERT	1	INCLUDES ITEMS W/*
2	15510ZE2043	SWITCH ASSY., OIL LEVEL	1	
3	16541ZE2010	SHAFT, GOVERNOR ARM	1	
6	90131896650	BOLT, DRAIN PLUG	2	
7	90446KE1000	WASHER 8.2 X17X0.8	1	
8*	91201890003	OIL SEAL 30X46X8	1	
9	91353671003	O-RING 14MM ARAI	1	
10	9405010000	NUT FLANGE 10MM	1	
11	031112230	WASHER, DRAIN PLUG 12MM	2	
12	9425110000	PIN, LOCK 10MM	1	
13	957010601200	BOLT, FLANGE 6X12	2	
14*	961006202000	BEARING, RADIAL BALL 6202	1	
15	90013883000	BOLT, FLANGE 6X12 CT200	1	
16	34150ZH7003	ALERT UNIT, OIL	1	

HONDA GX240K1HA2 ENGINE — CYLINDER HEAD ASSY.

CYLINDER HEAD ASSY.



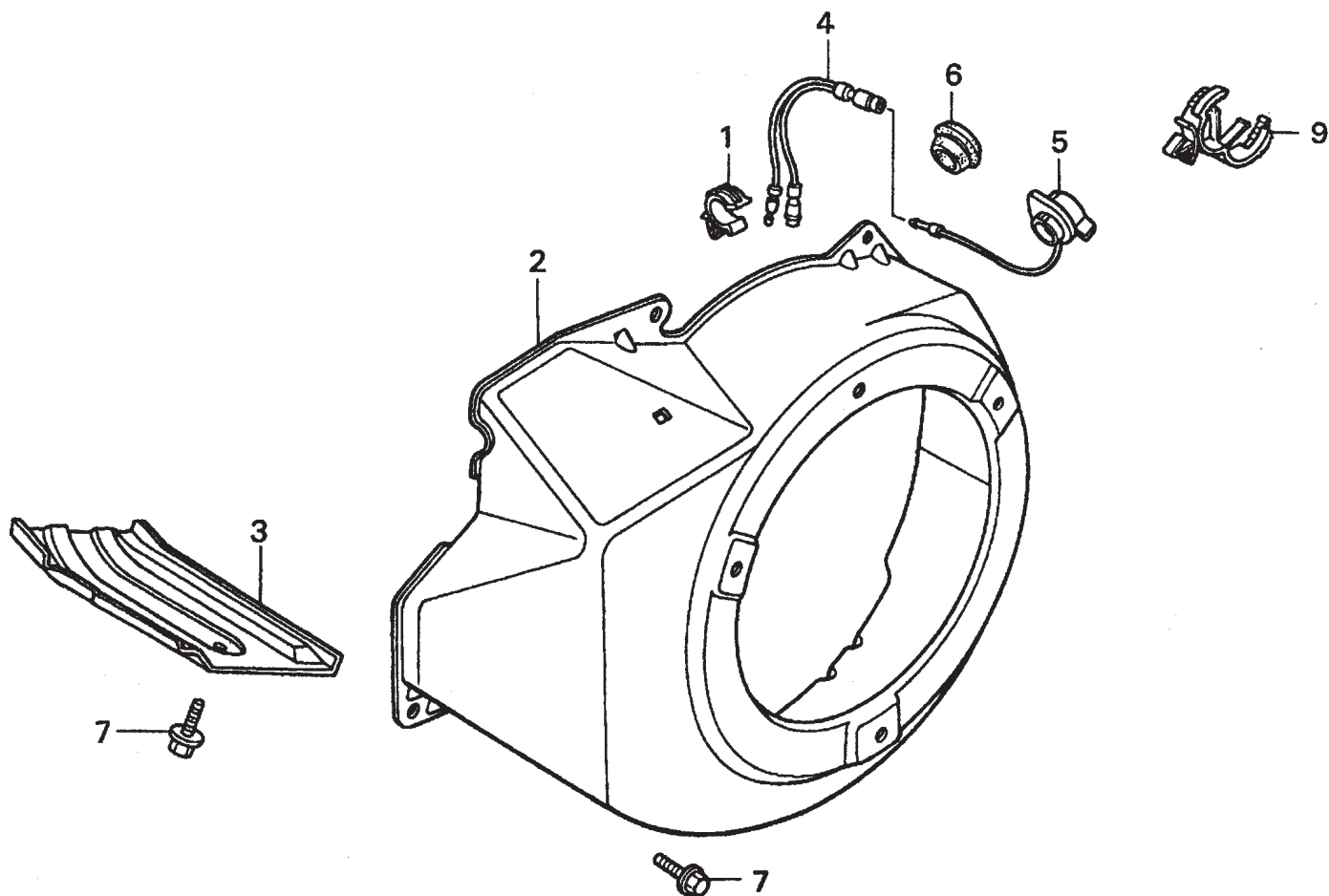
HONDA GX240K1HA2 ENGINE — CYLINDER HEAD ASSY.

CYLINDER HEAD ASSY.

<u>NO.</u>	<u>PART NO.</u>	<u>PART NAME</u>	<u>QTY.</u>	<u>REMARKS</u>
1	12200ZH9000	CYLINDER HEAD COMP.	1	INCLUDES ITEMS W/*
2*	12204ZE2306	GUIDE, VALVE, OS, OPTIONAL	1	
3*	12205ZE2305	GUIDE, EX. VALVE, OS, OPTIONAL	1	
4*	12216ZE2300	CLIP, VALVE GUIDE	1	
5	12251ZE2800	GASKET, CYLINDER HEAD	1	
6	12310ZE2020	COVER COMP., HEAD	1	
7	12391ZE2020	GASKET, CYLINDER HEAD COVER	1	
8	14775ZE2010	SEAT, VALVE SPRING	1	
10	90014ZE2000	BOLT, HEAD COVER	1	
11	90042ZE2000	BOLT, STUD 8X123	2	
12	92900080320E	BOLT, STUD 8X47	2	
13	90441ZE2010	WASHER COMP., HEAD COVER	1	
14	9430112200	PIN A, DOWEL 12X20	2	
15	950051100130M	BULK HOSE, VACUUM 11X1000, 11X100	1	
16	957011008000	BOLT, FLANGE 10X80	4	
17	9807956846	SPARK PLUG, BPR6ES, NGK	1	
17	9807956855	SPARK PLUG, W20EPR-U, DENSO	1	

HONDA GX240K1HA2 ENGINE — FAN COVER ASSY.

FAN COVER ASSY.



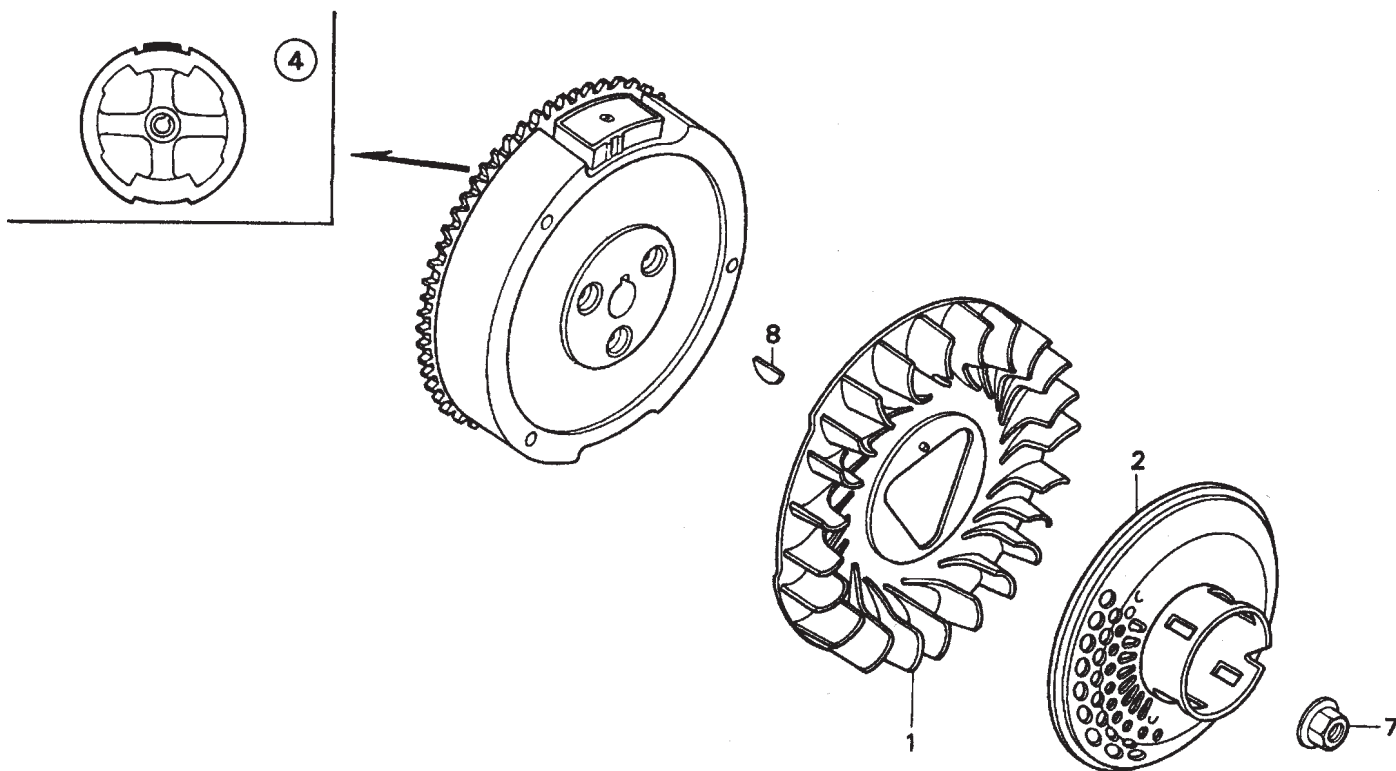
HONDA GX240K1HA2 ENGINE — FAN COVER ASSY.

FAN COVER ASSY.

<u>NO.</u>	<u>PART NO.</u>	<u>PART NAME</u>	<u>QTY.</u>	<u>REMARKS</u>
1	16731ZE2003	CLIP, TUBE	1	
2	19610ZE2010ZC	COVER COMP., FAN *NH1* BLACK	1	
3	19631ZE2D00	SHROUD	1	
4	32197ZH8003	SUB-HARNESS	1	
5	36100ZE1015	SWITCH ASSY., ENGINE STOP	1	
7	90013883000	BOLT, FLANGE 6X12, CT200	6	
9	90684ZA0601	CLIP, WIRE HARNESS	1	

HONDA GX240K1HA2 ENGINE — FLYWHEEL ASSY.

FLYWHEEL ASSY.



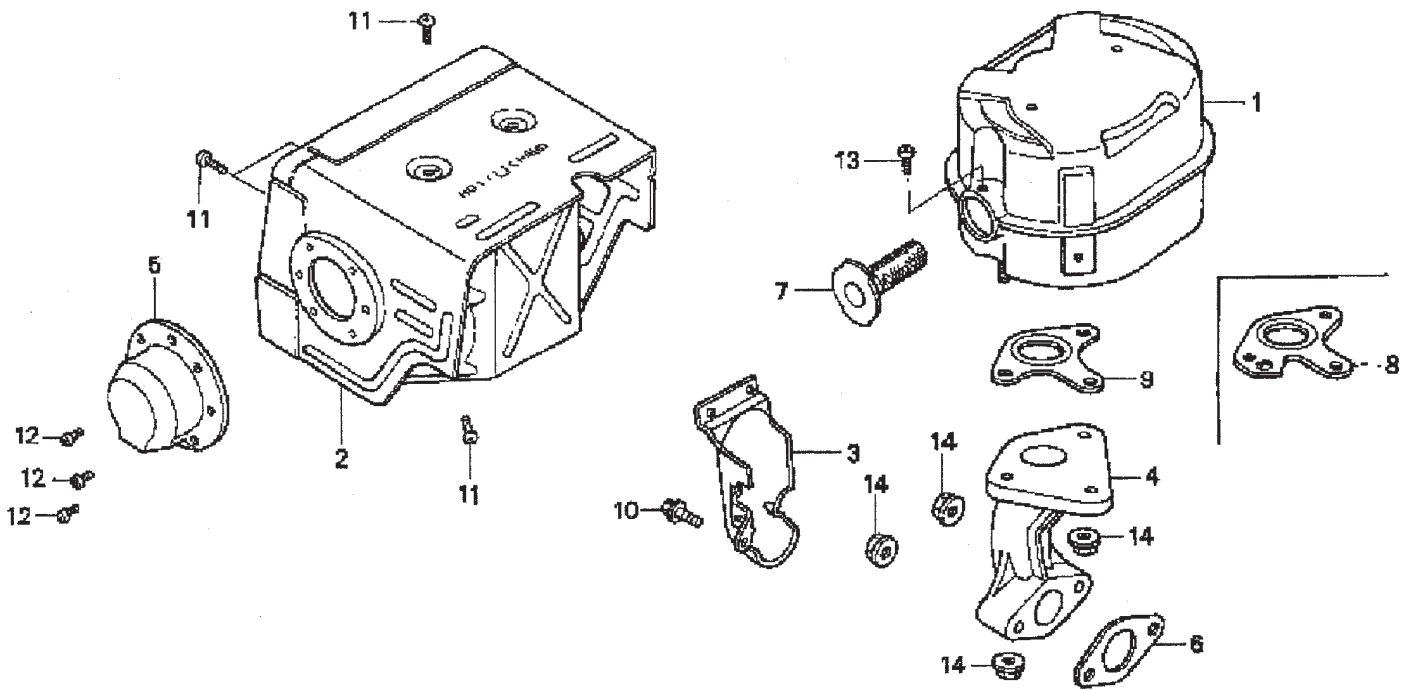
HONDA GX240K1HA2 ENGINE — FLYWHEEL ASSY.

FLYWHEEL ASSY.

<u>NO.</u>	<u>PART NO.</u>	<u>PART NAME</u>	<u>QTY.</u>	<u>REMARKS</u>
1	19511ZE2000	FAN, COOLING	1	
2	28450ZE2W11	PULLEY COMP., STARTER, SCREEN GRID	1	
4	31100ZE2010	FLYWHEEL COMP.	1	
7	90201ZE3V00	NUT, SPECIAL 16MM	1	
8	90741ZE2000	KEY, SPECIAL WOODRUFF 25X18	1	

HONDA GX240K1HA2 ENGINE — MUFFLER ASSY.

MUFFLER ASSY.



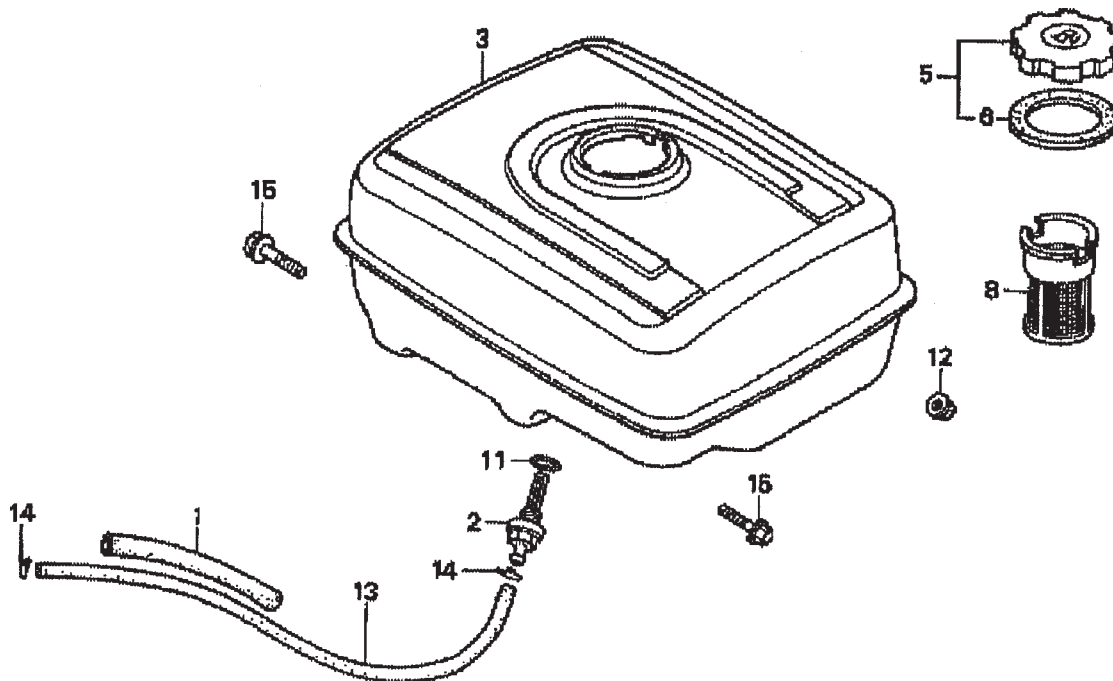
HONDA GX240K1HA2 ENGINE — MUFFLER ASSY.

MUFFLER ASSY.

<u>NO.</u>	<u>PART NO.</u>	<u>PART NAME</u>	<u>QTY.</u>	<u>REMARKS</u>
1	18310ZE2W00	MUFFLER	1	
2	18320ZE2W01	PROTECTOR, MUFFLER	1	
3	18323ZE2W00	PROTECTOR, EX. PIPE	1	
4	18330ZE2W00	PIPE, EX.	1	
5	18331ZE2810	CAP, MUFFLER	1	
6	18333ZK6Y00	GASKET, EX. PIPE	1	
7	18355ZE2010	ARRESTER, SPARK	1	
8	18381ZE2W10	GASKET, MUFFLER (ARRESTER)	1	
9	18381ZE2800	GASKET, MUFFLER	1	
10	90013883000	BOLT, FLANGE (6 X 12) (CT200)	1	
11	90050ZE1000	SCREW, TAPPING (5 X 8)	6	
12	90055ZE1000	SCREW, TAPPING (4 X 6)	3	
13	90050ZE1000	SCREW, TAPPING (5 X 8) (OPTIONAL)	1	
14	9405008000	NUT, FLANGE (8MM)	5	

HONDA GX240K1HA2 ENGINE — FUEL TANK ASSY.

FUEL TANK ASSY.



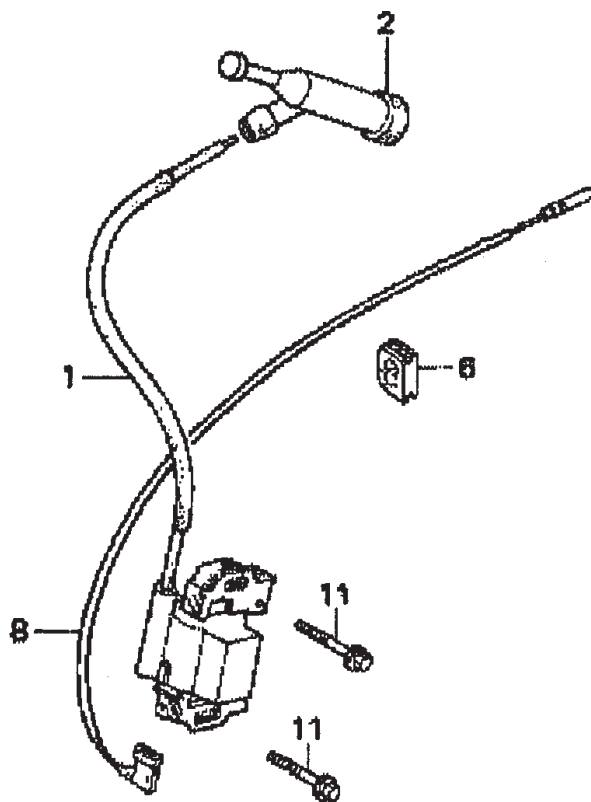
HONDA GX240K1HA2 ENGINE — FUEL TANK ASSY.

FUEL TANK ASSY.

<u>NO.</u>	<u>PART NO.</u>	<u>PART NAME</u>	<u>QTY.</u>	<u>REMARKS</u>
1	16854ZH8000	RUBBER SUPPORTER 107MM	1	
2	16955ZE1000	JOINT, FUEL TANK	1	
3	17510ZE2010ZD	TANK COMP., FUEL *NH1*, BLACK	1	
5	17620ZH7023	CAP COMP., FUEL FILLER	1	INCLUDES ITEMS W/*
6*	17631ZH7003	GASKET, FUEL FILLER CAP	1	
8	17672ZE2W01	FILTER, FUEL	1	
11	91353671003	O-RING 14MM, ARAI	1	
12	9405008000	NUT, FLANGE 8MM	2	
13	950014500360M	BULK HOSE, FUEL 4.5X3000, 4.5X222	1	
14	9500202080	CLIP, TUBE, B8	2	
15	957010802500	BOLT, FLANGE 8X25	2	

HONDA GX240K1HA2ENGINE — IGNITION ASSY.

IGNITION COIL ASSY.



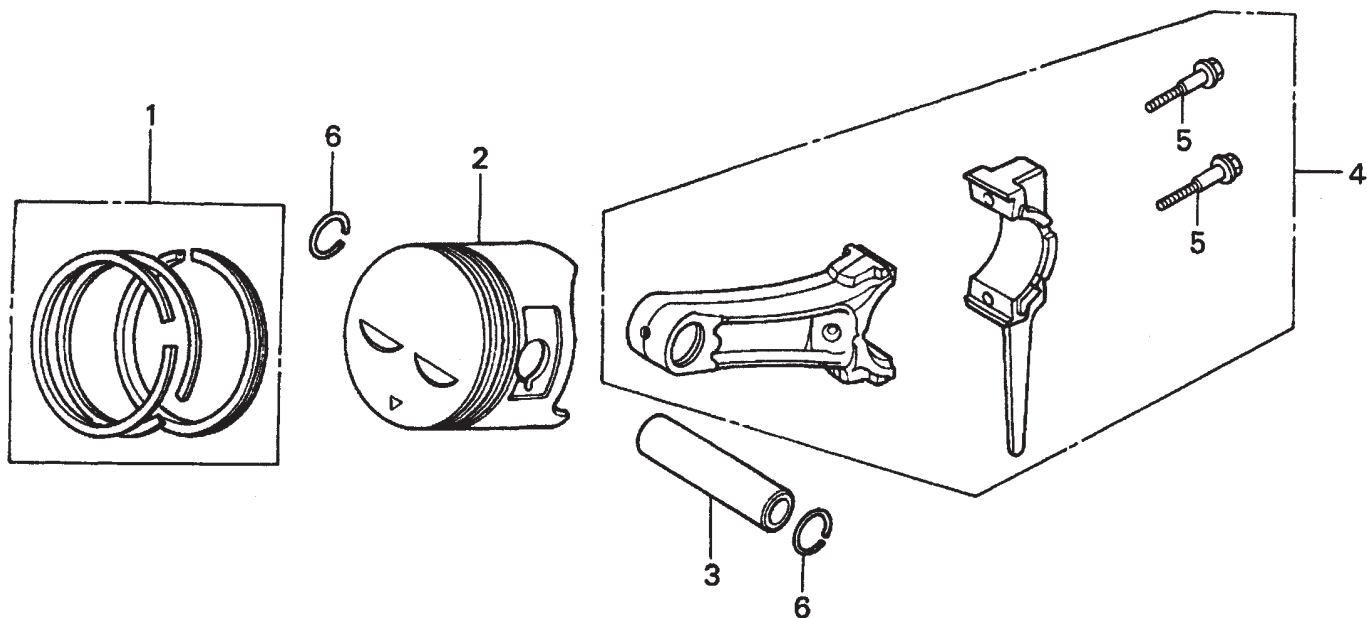
HONDA GX240K1HA2ENGINE — IGNITION ASSY.

IGNITION COIL ASSY.

<u>NO.</u>	<u>PART NO.</u>	<u>PART NAME</u>	<u>QTY.</u>	<u>REMARKS</u>
1	30500ZF6W02	COIL ASSY., IGNITION	1	
2	30700ZE1013	CAP ASSY., NOISE SUPPRESSOR	1	
6	31512ZE2000	GROMMET, WIRE	1	
8	36101ZE1010	WIRE, STOP SWITCH 370MM	1	
11	90015883000	BOLT, FLANGE 6X28	2	

HONDA GX240K1HA2 ENGINE — PISTON ASSY.

PISTON ASSY.



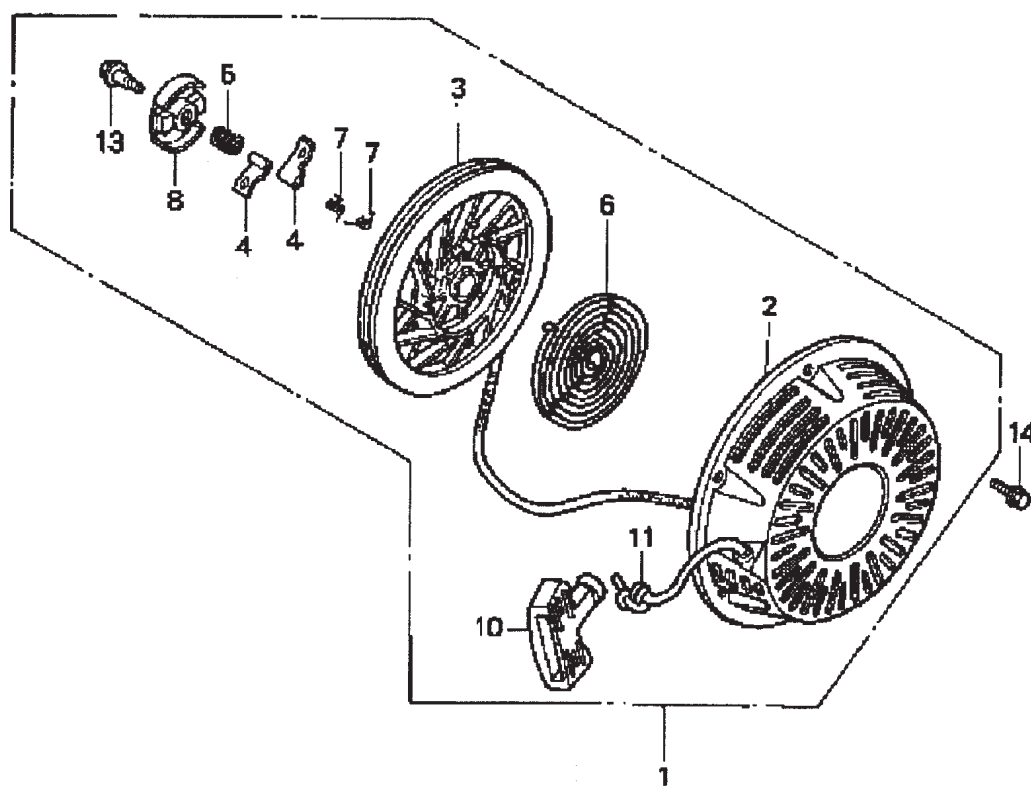
HONDA GX240K1HA2 ENGINE — PISTON ASSY.

PISTON ASSY.

<u>NO.</u>	<u>PART NO.</u>	<u>PART NAME</u>	<u>QTY.</u>	<u>REMARKS</u>
1	13010ZE2013	RING SET, PISTON, STD.	1	
1	13011ZE2013	RING SET, PISTON, OS 0.25, OPTIONAL	1	
1	13012ZE2013	RING SET, PISTON, OS 0.50, OPTIONAL	1	
1	13013ZE2013	RING SET, PISTON, 0.75, OPTIONAL	1	
2	13101ZE2W00	PISTON, STANDARD	1	
2	13102ZE2W00	PISTON, OS 0.25, OPTIONAL	1	
2	13103ZE2W00	PISTON, OS 0.50, OPTIONAL	1	
2	13104ZE2W00	PISTON, 0.75, OPTIONAL	1	
3	13111ZE2000	PIN, PISTON	1	
4	13200ZE2000	ROD ASSY., CONNECTING STANDARD	1	INCLUDES ITEMS W/*
4	13200ZE2305	ROD ASSY., CONNECTING, US 0.25, OPT.	1	
5*	90001ZE8000	BOLT, CONNECTING ROD	2	
6	90551ZE1000	CLIP, PISTON PIN 18MM	2	

HONDA GX240K1HA2 ENGINE — RECOIL STARTER ASSY.

RECOIL STARTER ASSY.



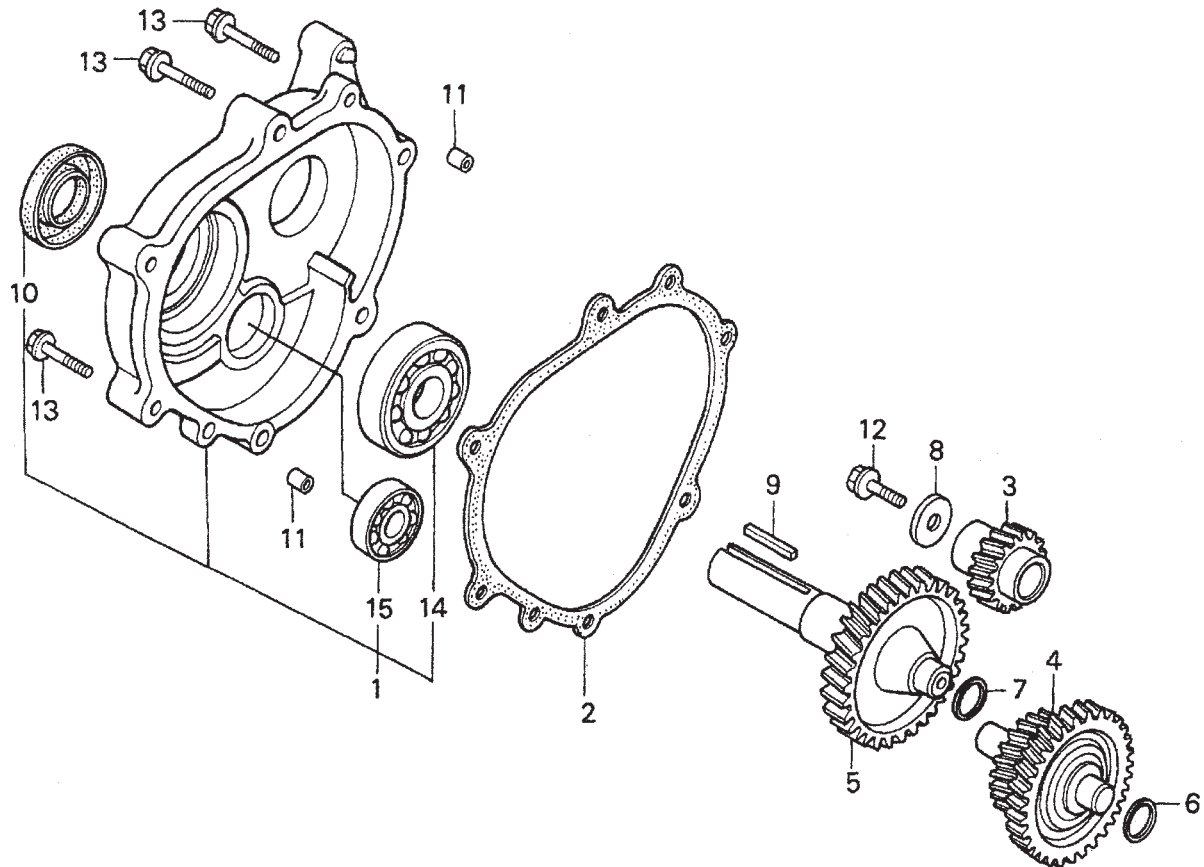
HONDA GX240K1HA2 ENGINE — RECOIL STARTER ASSY.

RECOIL STARTER ASSY.

<u>NO.</u>	<u>PART NO.</u>	<u>PART NAME</u>	<u>QTY.</u>	<u>REMARKS</u>
1	28400ZE2W01ZB	STARTER ASSY., RECOIL *NH1*, BLK	1	INCLUDES ITEMS W/*
2*	28410ZE2W01ZB	CASE COMP., RECOIL STARTER *NH1*, BLK	1	
3*	28421ZE2W01	PULLEY, RECOIL STARTER	1	
4*	28422ZE2W01	RATCHET, STARTER	2	
5*	28441ZE2W01	SPRING, FRICTION	1	
6*	28442ZE2W01	SPRING, STARTER RETURN	1	
7*	28443ZE2W01	SPRING RATCHET	2	
8*	28444ZE2W01	RETAINER, SPRING	1	
10*	28461ZE2W02	GRIP, STARTER	1	
11*	28462ZE2W11	ROPE, RECOIL STARTER	1	
13*	90004ZE2W01	SCREW, CENTER	1	
14	90008ZE2003	BOLT, FLANGE 6X10	3	

HONDA GX240K1HA2 ENGINE — GEAR REDUCTION ASSY.

GEAR REDUCTION ASSY.



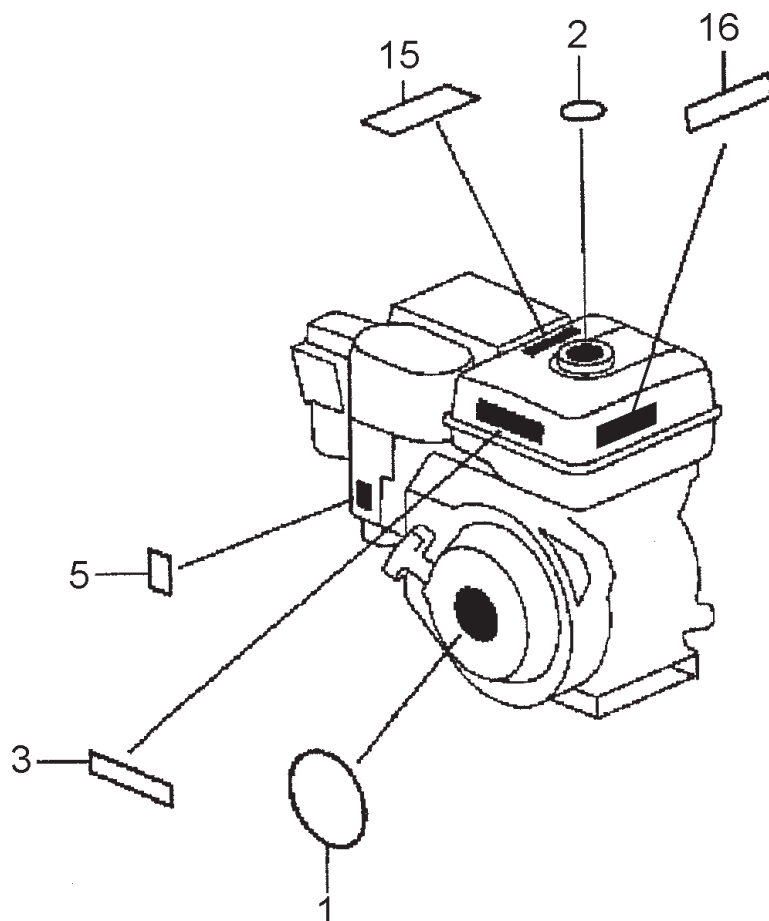
HONDA GX240K1HA2 ENGINE — GEAR REDUCTION ASSY.

GEAR REDUCTION ASSY.

<u>NO.</u>	<u>PART NO.</u>	<u>PART NAME</u>	<u>QTY.</u>	<u>REMARKS</u>
1	11500ZE2620	COVER ASSY, REDUCTION CASE	1	INCLUDES ITEMS W/*
2	11521ZE2800	GASKET, CHAIN CASE COVER	1	
3	22103ZE2620	GEAR, PRIMARY DRIVE (17T)	1	
4	23220ZE2621	COUNTERSHAFT	1	
5	23710ZE2621	SHAFT, P.T.O. (H- TYPE)	1	
6	90401ZE2620	SHIM A (OPTIONAL)	AR	
7	90402ZE2620	SHIM B (OPTIONAL)	AR	
8	90473842000	WASHER (8MM)	1	
9	90745ZE2600	KEY (6.3 X 6.3 X 43)	1	
10*	91201890003	OIL SEAL (30 X 46 X 8)	1	
11	9430108140	PIN A, DOWEL (8 X 14)	2	
12	957010802500	BOLT, FLANGE (8 X 25)	1	
13	957010804000	BOLT, FLANGE (8 X 40)	6	
14*	961006206000	BEARING, RADIAL BALL (6206)	1	
15*	961006302000	BEARING, RADIAL BALL (6302)	1	

HONDA GX240K1HA2 ENGINE — LABEL ASSY.

LABEL ASSY.



HONDA GX240K1HA2 ENGINE — LABEL ASSY.

LABELS ASSY.

<u>NO.</u>	<u>PART NO.</u>	<u>PART NAME</u>	<u>QTY.</u>	<u>REMARKS</u>
1	87521ZE2W01	EMBLEM, INTERNAL	1	
2	87522ZE1810	MARK, CAUTION, EXTERNAL	1	
3	87522ZH9000	LABEL, CAUTION	1	
5	87528ZE2810	MARK, CHOKE, EXTERNAL	1	
15	87586ZH7W00	LABEL, FUEL CAUTION	1	
16	87532ZH8810	MARK, OIL ALERT	1	

TERMS AND CONDITIONS OF SALE — PARTS

PAYMENT TERMS

Terms of payment for parts are net 30 days.

FREIGHT POLICY

All parts orders will be shipped collect or prepaid with the charges added to the invoice. All shipments are F.O.B. point of origin. Multiquip's responsibility ceases when a signed manifest has been obtained from the carrier, and any claim for shortage or damage must be settled between the consignee and the carrier.

MINIMUM ORDER

The minimum charge for orders from Multiquip is \$15.00 net. Customers will be asked for instructions regarding handling of orders not meeting this requirement.

RETURNED GOODS POLICY

Return shipments will be accepted and credit will be allowed, subject to the following provisions:

1. A Returned Material Authorization must be approved by Multiquip prior to shipment.
2. To obtain a Return Material Authorization, a list must be provided to Multiquip Parts Sales that defines item numbers, quantities, and descriptions of the items to be returned.
 - a. The parts numbers and descriptions must match the current parts price list.
 - b. The list must be typed or computer generated.
 - c. The list must state the reason(s) for the return.
 - d. The list must reference the sales order(s) or invoice(s) under which the items were originally purchased.
 - e. The list must include the name and phone number of the person requesting the RMA.
3. A copy of the Return Material Authorization must accompany the return shipment.
4. Freight is at the sender's expense. All parts must be returned freight prepaid to Multiquip's designated receiving point.

5. Parts must be in new and resalable condition, in the original Multiquip package (if any), and with Multiquip part numbers clearly marked.
6. The following items are not returnable:
 - a. Obsolete parts. (If an item is in the price book and shows as being replaced by another item, it is obsolete.)
 - b. Any parts with a limited shelf life (such as gaskets, seals, "O" rings, and other rubber parts) that were purchased more than six months prior to the return date.
 - c. Any line item with an extended dealer net price of less than \$5.00.
 - d. Special order items.
 - e. Electrical components.
 - f. Paint, chemicals, and lubricants.
 - g. Decals and paper products.
 - h. Items purchased in kits.
7. The sender will be notified of any material received that is not acceptable.
8. Such material will be held for five working days from notification, pending instructions. If a reply is not received within five days, the material will be returned to the sender at his expense.
9. Credit on returned parts will be issued at dealer net price at time of the original purchase, less a 15% restocking charge.
10. In cases where an item is accepted, for which the original purchase document can not be determined, the price will be based on the list price that was effective twelve months prior to the RMA date.
11. Credit issued will be applied to future purchases only.

PRICING AND REBATES

Prices are subject to change without prior notice. Price changes are effective on a specific date and all orders received on or after that date will be billed at the revised price. Rebates for price declines and added charges for price increases will not be made for stock on hand at the time of any price change.

Multiquip reserves the right to quote and sell direct to Government agencies, and to Original Equipment Manufacturer accounts who use our products as integral parts of their own products.

SPECIAL EXPEDITING SERVICE

A \$35.00 surcharge will be added to the invoice for special handling including bus shipments, insured parcel post or in cases where Multiquip must personally deliver the parts to the carrier.

LIMITATIONS OF SELLER'S LIABILITY

Multiquip shall not be liable hereunder for damages in excess of the purchase price of the item with respect to which damages are claimed, and in no event shall Multiquip be liable for loss of profit or good will or for any other special, consequential or incidental damages.

LIMITATION OF WARRANTIES

No warranties, express or implied, are made in connection with the sale of parts or trade accessories nor as to any engine not manufactured by Multiquip. Such warranties made in connection with the sale of new, complete units are made exclusively by a statement of warranty packaged with such units, and Multiquip neither assumes nor authorizes any person to assume for it any other obligation or liability whatever in connection with the sale of its products. Apart from such written statement of warranty, there are no warranties, express, implied or statutory, which extend beyond the description of the products on the face hereof.

Effective: February 22, 2006

PARTS MANUAL

HERE'S HOW TO GET HELP

PLEASE HAVE THE MODEL AND SERIAL
NUMBER ON-HAND WHEN CALLING

UNITED STATES

Multiquip Corporate Office

18910 Wilmington Ave. Tel. (800) 421-1244
Carson, CA 90746 Fax (800) 537-3927
Contact: mq@multiquip.com

Mayco Parts

800-306-2926 Fax: 800-672-7877
310-537-3700 Fax: 310-637-3284

Service Department

800-421-1244 Fax: 310-537-4259
310-537-3700

MQ Parts Department

800-427-1244 Fax: 800-672-7877
310-537-3700 Fax: 310-637-3284

Warranty Department

800-421-1244, Ext. 279 Fax: 310-537-1173
310-537-3700, Ext. 279

Technical Assistance

800-478-1244 Fax: 310-631-5032

MEXICO

MQ Cipsa

Carr. Fed. Mexico-Puebla KM 126.5 Tel: (52) 222-225-9900
Momoxpan, Cholula, Puebla 72760 Mexico Fax: (52) 222-285-0420
Contact: pmastretta@cipsa.com.mx

CANADA

Multiquip

4110 Industriel Boul. Tel: (450) 625-2244
Laval, Quebec, Canada H7L 6V3 Tel: (877) 963-4411
Contact: jmartin@multiquip.com Fax: (450) 625-8664

UNITED KINGDOM

Multiquip (UK) Limited Head Office

Unit 2, Northpoint Industrial Estate, Tel: 0161 339 2223
Global Lane, Fax: 0161 339 3226
Dukinfield, Cheshire SK16 4UJ
Contact: sales@multiquip.co.uk

© COPYRIGHT 2010, MULTIQUIP INC.

Multiquip Inc and the MQ logo are registered trademarks of Multiquip Inc. and may not be used, reproduced, or altered without written permission. All other trademarks are the property of their respective owners and used with permission.

This manual MUST accompany the equipment at all times. This manual is considered a permanent part of the equipment and should remain with the unit if resold.

The information and specifications included in this publication were in effect at the time of approval for printing. Illustrations, descriptions, references and technical data contained in this manual are for guidance only and may not be considered as binding. Multiquip Inc. reserves the right to discontinue or change specifications, design or the information published in this publication at any time without notice and without incurring any obligations.

Your Local Dealer is:

