

Instructions, Blade Flange Removal

Instruction Sheet P/N 18503-I

August 02, 2006

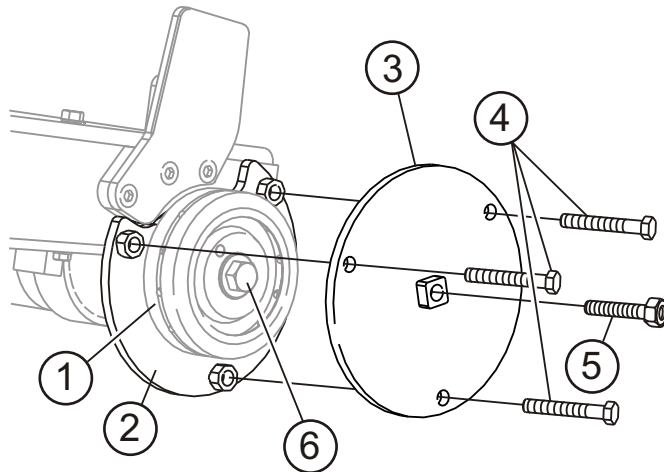
The following instructions detail proper procedure for the removal of the Blade Flange on your 3000, 6000, or 7000 Series Saw. It is not intended to take the place of an operation or parts manual. Refer to your Operation Manual for further SAFETY, OPERATION, and MAINTENANCE information. If for some reason you did not receive a manual with your Saw, contact Multiquip at (800) 421.1244 for a replacement.

Blade Flange Removal

Correct removal of the Blade Flange requires Flange Puller (p/n 18503) as shown in Figure 1.

⚠ WARNING!

If unfamiliar with this operation, seek assistance from someone that is familiar with this operation. Because of the tapered fit between the Blade Flange and the Blade Shaft, 5 - 10 tons of force is required to release the inner flange from the Blade Shaft. Both parts and tools can become dangerous projectiles if instructions are not followed properly.



1. Blade Flange
2. Horseshoe Puller Plate
3. Puller Plate
4. Perimeter Bolt
5. Center Puller Bolt
6. Blade Mounting Bolt

Figure 1.

⚠ WARNING!

The Outer Flange MUST be in place to prevent the Puller assembly and Inner Flange from flying off when the taper beaks loose. Injury or equipment damage could otherwise result.

1. With the Outer Blade Flange in place, loosen the Blade Mounting Bolt (Item 6) approximately 1/4".
2. While the 3 perimeter bolts (Item 4) hold the two Puller Plates (Items 2 & 3) together, slide the Horseshoe Plate (2) of the Flange Puller behind the (Shaft) side of the Inner Flange. See Figure 2.

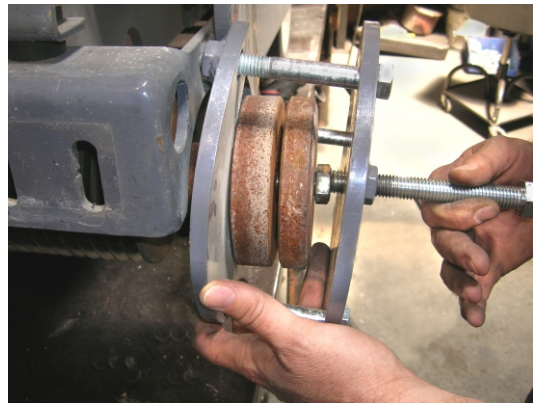


Figure 2.

3. Tighten the Center Puller Bolt to remove the Inner Flange from the Blade Shaft.

NOTE

If the Inner Flange does not readily break free from the tapered Blade Shaft while the Center Puller Bolt is tightened, lightly tap on the Center Puller Bolt to allow the flange to break free from the shaft.