



UWK4 Wheel Kit

For Use On QP4 Trash Pump

Installation Instructions

The following instructions are intended to assist the user in the assembly of the UWK4 Wheel Kit for use on MultiQuip's QP4 portable trash pump. Please read the entire assembly instructions before assembling the wheel kit.

TOOLS:

- Ratchet Set with 7/16, 1/2 inch socket
- Adjustable Wrench or 7/16, 1/2 inch open end wrench

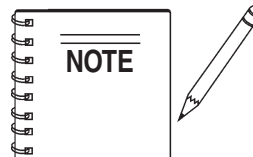
PARTS:

NO.	P/N	PART NAME	QTY.
1	0300 B	Washer, Flat SAE 5/16	4
2	0683	Pin, Cotter 3/32D x 3/4	2
3	1404	Screw, HHC 5/16-18x 3-1/4	8
4	4001	Washer, USS 3/8 PLD	2
5	4389	Nut, Hex 3/4-10	1
6	5283	Nut, Nyloc 5/16-18	8
7	8158	Pin, Cotter 3/16D x 1-1/2	2
8	19701	Clamp Clip, Large Wheel Kit	4
9	19702	Clamp Clip, Small Wheel Kit	4
10	19716	Crutch Tip	2
11	19717	Grip, Hand	2
12	19850	Wheel/Tire, Gleason #Ex 19838805	2
13	29739	Tube, Handle	2
14	29787	Pin Clevis 5/16 x1-1/2	2
15	29952	Handle Mount W/A	2
16	29956	Axle W/A, 3/4-10 RH	1
17	29958	Axle W/A, 3/4-10 LH	1
18	29960	Trunbuckle, 5/8-11x6	1
19	29961	Nut, Hex 3/4-10	1

Procedure

Axle Assembly

1. Place one jam nut (items 5 and 19) onto the threaded portion of each axle (items 16-17). Thread each axle shaft onto the turnbuckle a minimum of 3/4-inch (19 mm). This will center the turnbuckle under the frame.

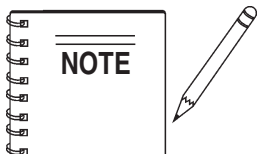


The turnbuckle (item 18) is designed with both **left** and **right** hand thread patterns. The individual parts used with the turn buckle are threaded and must be matched correctly for proper assembly.

2. Place the axle onto the pump frame as shown in Figure 1.
3. Secure the axle by tightening the turn buckle until it is centered underneath the pump. Make sure both clamps are securely fastened to the pipe frame. Lock jam nuts into place by threading them up against the turnbuckle. **CAUTION; DO NOT** overtighten the turnbuckle as this may cause the axle to bend.
4. Slide wheels onto each axle end. Insert a cotter pin through the small hole at the end of each axle. Bend the cotter pin to secure the wheel.

Safety

To prevent injuries and accidents during the installation, always observe heavy lifting techniques. Always lift the pump with an appropriate lifting device, block or secure the pump so that it will not move around while the axle is being attached.



ALWAYS attach the axle assembly beneath the heaviest end (engine/pump) of the pump for easier handling.

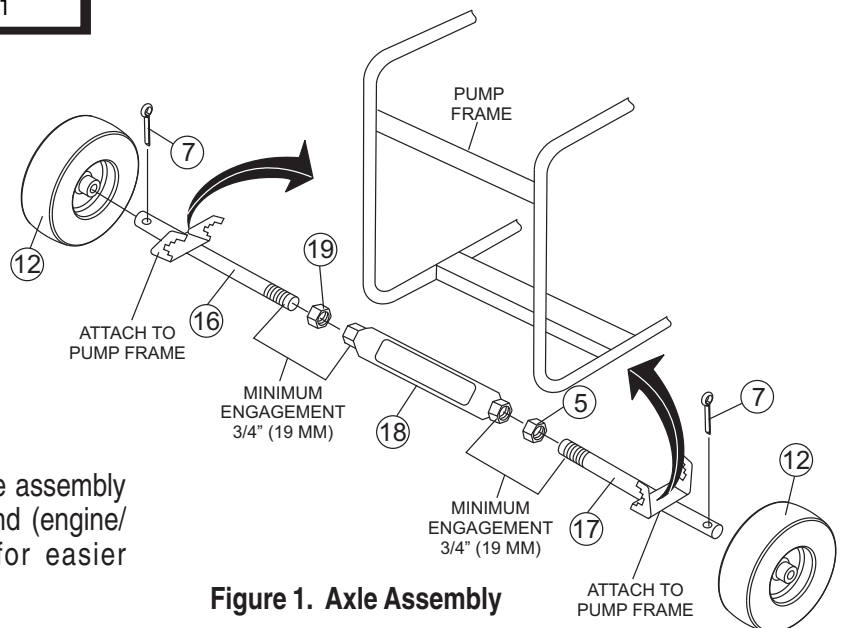


Figure 1. Axle Assembly



UWK4 Wheel Kit

For Use On QP4 Trash Pump

Procedure

Handle Mount Assembly

5. Insert a **flat washer** (item 4) into the **crutch tip** (item 10) and place the combined items over the open end of the **handle mount** (item 15). See Figure 2.

Insert the end of the **handle tube** (item 13) with the screw hole into the top bracket of the handle mount. Slide **clevis pin** (item 14) and **flat washer** (item 1) through the bracket and handle tube holes. Place another flat washer (item 1) onto end of clevis pin (item 14) and insert cotter pin (item 2) through hole on clevis pin. Bend leads on cotter pin to hold handle tube in place.

Slide the **hand grip** (item 11) over the open end of the handle tube.

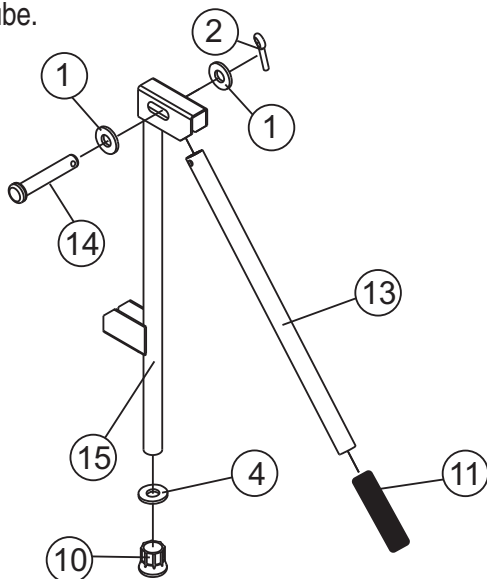


Figure 2. Handle Mount Assembly

6. Lifting the front of the unit, set the rounded corner of the frame tubing into the support bracket on the handle mount (Figure 3). Secure the handle mount to the frame tubing by placing a **large clamp clip** (item 8) around the frame tubing and the handle mount.
7. Next, insert the **small clamp clip** (item 9) on the other side of the handle mount and frame tubing, so that the large and small clamp clips are facing each other.

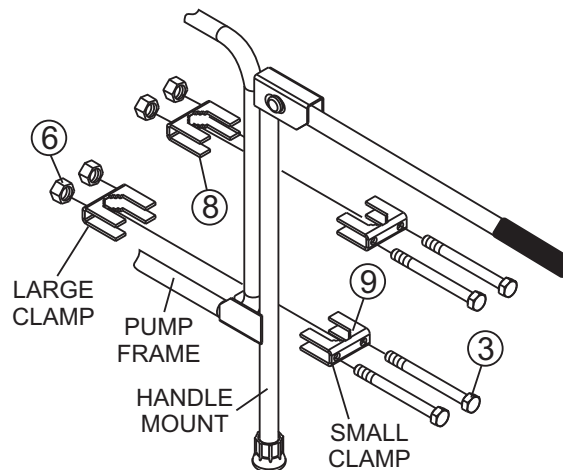


Figure 3. Securing the Handle Mount to the Frame.

8. Insert **screw** (item 3) into small clamp and secure with **nyloc nuts** (item 6). Tighten until the clamp securely holds the handle mount to the frame tubing.

Repeat Steps 5 thru 8 to attach the handle mount to the other side of the unit.

Here's how to get help...

MULTIQUIP INC. CORPORATE OFFICE

18910 Wilmington Ave. 800-421-1244
 Carson, CA 90746 FAX: 310-537-3927
 Email: mq@multiquip.com
 Internet: www.multiquip.com

PARTS DEPARTMENT

800-427-1244 FAX: 800-672-7877
 310-537-3700 FAX: 310-637-3284

SERVICE DEPARTMENT

800-478-1244 FAX: 310-537-4259
 310-537-3700

TECHNICAL ASSISTANCE

800-478-1244 FAX: 310-631-5032

WARRANTY DEPARTMENT

800-421-1244, EXT. 279 FAX: 310-537-1173
 310-537-3700, EXT. 279



MULTIQUIP INC.
 POST OFFICE BOX 6254 • CARSON, CA 90749
 310-537-3700 • 800-421-1244 • FAX: 310-537-3927
 E-MAIL: mq@multiquip.com • WWW: multiquip.com