



# GB43SC

## Hitch Adapter Installation Instructions

The following instructions are intended to assist the user in the installation of the Hitch Adapter to the GB43SC GloBug Cart. Please read all assembly instructions before installation.

### REQUIRED TOOLS

- 3/8" Ratchet with socket set.

### PARTS

Verify that all parts are accounted for. See Figure 1 and Table 1.

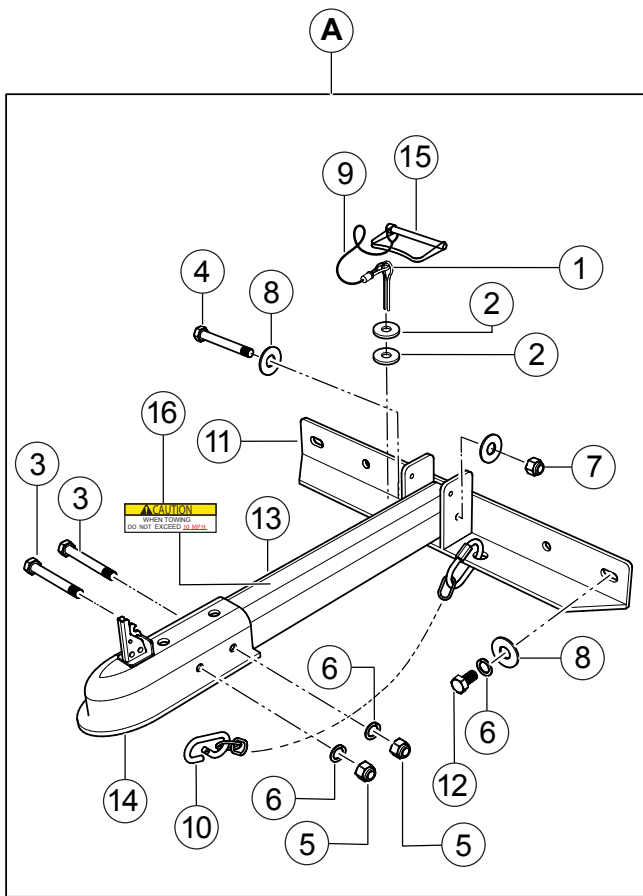


Figure 1. Hitch Adapter Assy

Table 1. Hitch Adapter Parts

Item No.	Part No.	Description	QTY.	Remarks
A	49507	Assy, Hitch Adapter	1	Includes items 1-15
1	0183	Pin, Cotter 1/8D x 1 1/4	1	
2	2203	Washer, Flat #10	2	
3	2549	Screw, HHC 1/2-13 x 3	2	
4	3215	Screw, HHC 1/2-13 x 3-1/2	1	
5	3528	Nut, Hex Finish 1/2-13 NP	2	
6	5054 A	Washer, Lock 1/2 Med	6	
7	10176	Nut, Nyloc 1/2-13	1	
8	13211	Washer, Flat 1/2 USS	6	
9	19484	Lanyard 10"	1	
10	19975	Chain Assy, Safety 7600 lb	1	
11	49513	Hitch Adapter W/A	1	
12	49515	Screw, HHC M12-1.75x25	4	
13	49519	Tongue, Hitch Adapter	1	
14	49520	Hitch, Ball, 2" Ball, 2.5" Tube	1	
15	49521	Pin, Hitch, Wire Lock, 5/16" Dia. x 3	1	
16	49545	Decal, Towing Caution	1	

### WORK SAFELY!

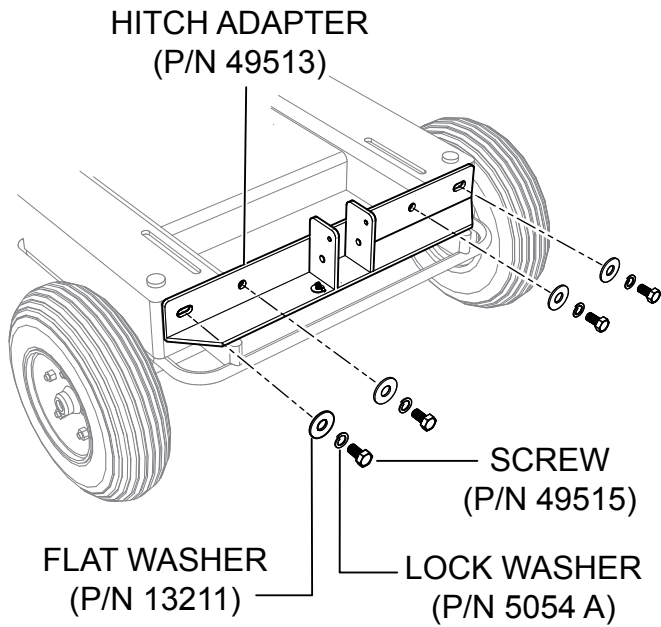
Only a person with proper training should perform this installation. Follow all safety rules when performing this installation.

### PREPARATION

1. Place the GB43SC cart in an area free of dirt and debris. Make sure it is on secure level ground.
2. Apply the parking brake. For additional safety, use chock blocks underneath each wheel to prevent the cart from rolling.

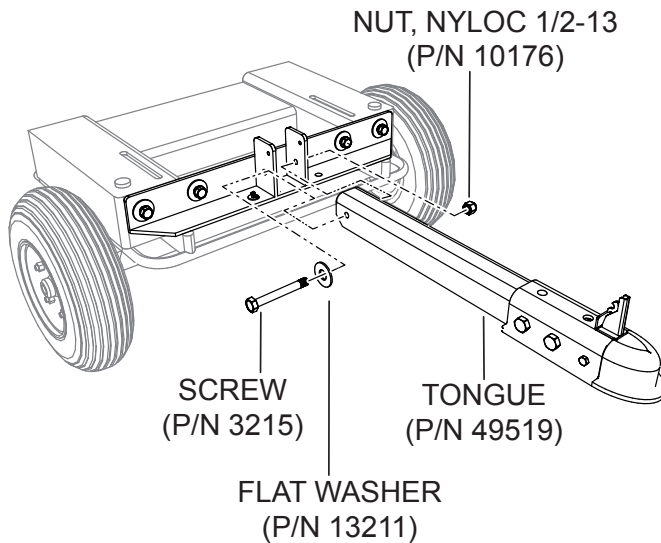
## INSTALLATION

1. On the front end of the cart, install the hitch adapter with the associated hardware as shown in Figure 2.



**Figure 2. Hitch Adapter Installation**

2. Install the tongue into the hitch adapter with the associated hardware as shown in Figure 3.



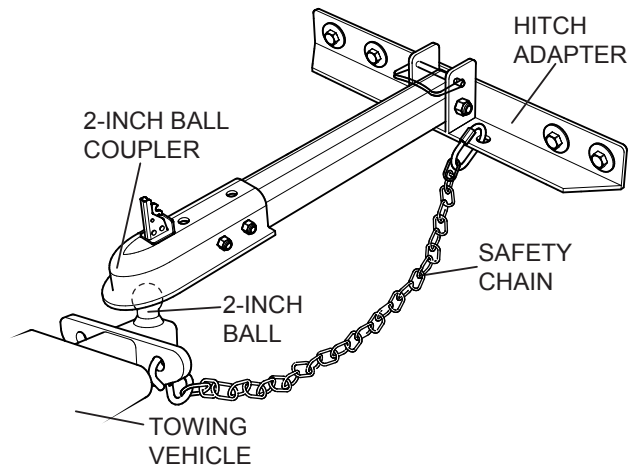
**Figure 3. Hitch Adapter Tongue Installation**

## TOWING

### NOTICE

The hitch adapter has a 2-inch ball coupler. The towing vehicle should have a 2-inch hitch ball that is compatible with the coupler.

3. Attach the hitch adapter to the towing vehicle as shown in Figure 4. Be sure the coupler is all the way on the hitch ball and the locking mechanism is engaged.
4. Attach the safety chain (see Figure 4).

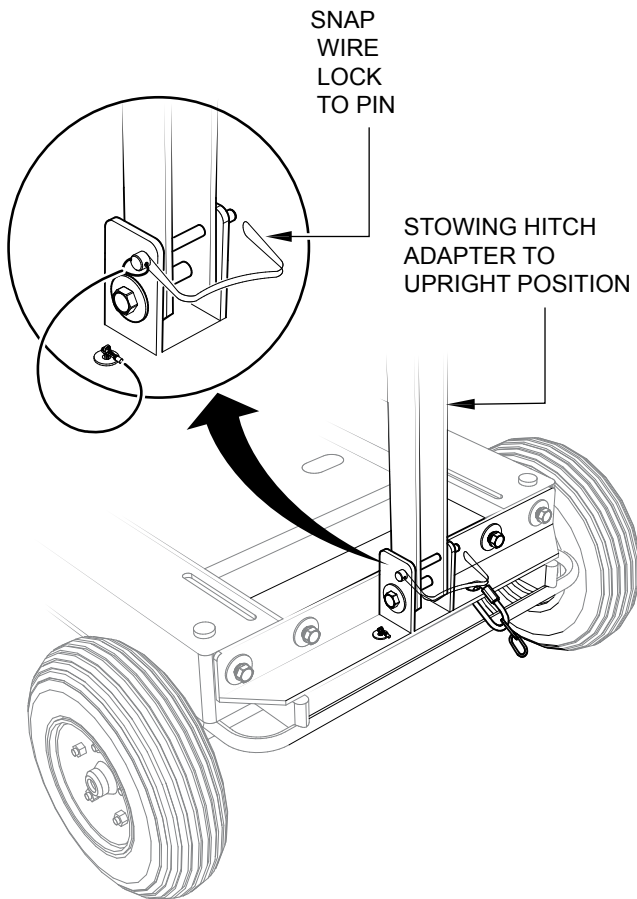


**Figure 4. Connection to the Towing Vehicle**



## STOWING THE HITCH ADAPTER

1. After towing the GB43SC, make sure that the hitch adapter is stowed in the upright position. See Figure 5.
2. Snap the wire lock to the pin to secure the hitch adapter in place.



**Figure 5. Stowed Hitch Adapter**



# **GB43SC GloBug Cart**

## **Hitch Adapter Installation Instructions**

---

## **HERE'S HOW TO GET HELP**

PLEASE HAVE THE MODEL AND SERIAL  
NUMBER ON-HAND WHEN CALLING

### **UNITED STATES**

#### ***Multiquip Corporate Office***

18910 Wilmington Ave.      Tel. (800) 421-1244  
Carson, CA 90746      Fax (800) 537-3927  
Contact: mq@multiquip.com

#### ***Service Department***

800-421-1244      Fax: 310-537-4259  
310-537-3700

#### ***Technical Assistance***

800-478-1244      Fax: 310-943-2238

#### ***MQ Parts Department***

800-427-1244      Fax: 800-672-7877  
310-537-3700      Fax: 310-637-3284

#### ***Warranty Department***

800-421-1244      Fax: 310-943-2249  
310-537-3700

---

### **MEXICO**

#### ***MQ Cipsa***

Carr. Fed. Mexico-Puebla KM 126.5      Tel: (52) 222-225-9900  
Momoxpan, Cholula, Puebla 72760 Mexico      Fax: (52) 222-285-0420  
Contact: pmastretta@cipsa.com.mx

### **CANADA**

#### ***Multiquip***

4110 Industriel Boul.      Tel: (450) 625-2244  
Laval, Quebec, Canada H7L 6V3      Tel: (877) 963-4411  
Contact: jmartin@multiquip.com      Fax: (450) 625-8664

---

### **UNITED KINGDOM**

#### ***Multiquip (UK) Limited Head Office***

Unit 2, Northpoint Industrial Estate,      Tel: 0161 339 2223  
Globe Lane,      Fax: 0161 339 3226  
Dukinfield, Cheshire SK16 4UJ  
Contact: sales@multiquip.co.uk

© COPYRIGHT 2011, MULTIQUIP INC.

Multiquip Inc and the MQ logo are registered trademarks of Multiquip Inc. and may not be used, reproduced, or altered without written permission. All other trademarks are the property of their respective owners and used with permission.

The information and specifications included in this publication were in effect at the time of approval for printing. Illustrations, descriptions, references and technical data contained in this document are for guidance only and may not be considered as binding. Multiquip Inc. reserves the right to discontinue or change specifications, design or the information published in this publication at any time without notice and without incurring any obligations.

Your Local Dealer is:

