

PARTS MANUAL



MODEL DA7000SSA3 PORTABLE GENERATORS (KUBOTA Z482-E4B-DGDE-4 DIESEL ENGINE)

PARTS LIST NO. A5874300604D

Revision #4 (05/09/24)

To find the latest revision of this publication or associated operation manual, visit our website at: www.multiquip.com



THIS MANUAL MUST ACCOMPANY THE EQUIPMENT AT ALL TIMES.

TABLE OF CONTENTS

DA7000SSA3 Generator

Explanation of Code in Remarks Column..... 4
Suggested Spare Parts 5

Component Drawings

Nameplate and Decals Assembly..... 6–7
Generator Assembly 8–9
Control Panel Assembly (Upper) 10–11
Control Panel Assembly (Lower) 12–13
Electric Parts Assembly 14–15
Engine and Radiator Assembly 16–17
Battery Assembly 18–19
Muffler Assembly 20–21
Fuel Tank Assembly 22–23
Enclosure Assembly 24–27
Rubber Seals Assembly 28–29

NOTICE

Specifications and part numbers are subject to change without notice.

EXPLANATION OF CODE IN REMARKS COLUMN

The following section explains the different symbols and remarks used in the Parts section of this manual. Use the help numbers found on the back page of the manual if there are any questions.

NOTICE

The contents and part numbers listed in the parts section are subject to change without notice. Multiquip does not guarantee the availability of the parts listed.

SAMPLE PARTS LIST

NO.	PART NO.	PART NAME	QTY.	REMARKS
1	12345	BOLT	1	INCLUDES ITEMS W/%
2%		WASHER, 1/4 IN.		NOT SOLD SEPARATELY
2%	12347	WASHER, 3/8 IN. ...	1	MQ-45T ONLY
3	12348	HOSE	A/R	MAKE LOCALLY
4	12349	BEARING	1	S/N 2345B AND ABOVE

NO. Column

Unique Symbols — All items with same unique symbol (@, #, +, %, or >) in the number column belong to the same assembly or kit, which is indicated by a note in the “Remarks” column.

Duplicate Item Numbers — Duplicate numbers indicate multiple part numbers, which are in effect for the same general item, such as different size saw blade guards in use or a part that has been updated on newer versions of the same machine.

NOTICE

When ordering a part that has more than one item number listed, check the remarks column for help in determining the proper part to order.

PART NO. Column

Numbers Used — Part numbers can be indicated by a number, a blank entry, or TBD.

TBD (To Be Determined) is generally used to show a part that has not been assigned a formal part number at the time of publication.

A blank entry generally indicates that the item is not sold separately or is not sold by Multiquip. Other entries will be clarified in the “Remarks” Column.

QTY. Column

Numbers Used — Item quantity can be indicated by a number, a blank entry, or A/R.

A/R (As Required) is generally used for hoses or other parts that are sold in bulk and cut to length.

A blank entry generally indicates that the item is not sold separately. Other entries will be clarified in the “Remarks” Column.

REMARKS Column

Some of the most common notes found in the “Remarks” Column are listed below. Other additional notes needed to describe the item can also be shown.

Assembly/Kit — All items on the parts list with the same unique symbol will be included when this item is purchased.

Indicated by:

“INCLUDES ITEMS W/(unique symbol)”

Serial Number Break — Used to list an effective serial number range where a particular part is used.

Indicated by:

“S/N XXXXX AND BELOW”

“S/N XXXX AND ABOVE”

“S/N XXXX TO S/N XXX”

Specific Model Number Use — Indicates that the part is used only with the specific model number or model number variant listed. It can also be used to show a part is NOT used on a specific model or model number variant.

Indicated by:

“XXXXX ONLY”

“NOT USED ON XXXX”

“Make/Obtain Locally” — Indicates that the part can be purchased at any hardware shop or made out of available items. Examples include battery cables, shims, and certain washers and nuts.

“Not Sold Separately” — Indicates that an item cannot be purchased as a separate item and is either part of an assembly/kit that can be purchased, or is not available for sale through Multiquip.

SUGGESTED SPARE PARTS

DA7000SSA3 GENERATOR

1 to 3 units

Qty.	P/N	Description
5.....	0810105900.....	FUEL STRAINER (TANK)
1.....	A9924800024	FUEL CAP ASSY
1.....	1628663602.....	STARTER SWITCH
5.....	3741055150.....	IGNITION KEY
1.....	A6311500004	RADIATOR HOSE (UPPER)
1.....	A6311500103	RADIATOR HOSE (LOWER)
1.....	0601842463.....	RESISTOR
1.....	1584464603.....	REGULATOR
1.....	0601806423.....	CIRCUIT BREAKER, 1P 20A
1.....	0601806424.....	CIRCUIT BREAKER, 1P 30A
3.....	0601810830.....	BULB, INDICATOR
4.....	0601806642.....	FUSE, 5 AMP
2.....	0601806643.....	FUSE, 15 AMP
2.....	0601806644.....	FUSE, 30 AMP
1.....	0601806640.....	FUSE, 65 AMP

NOTICE

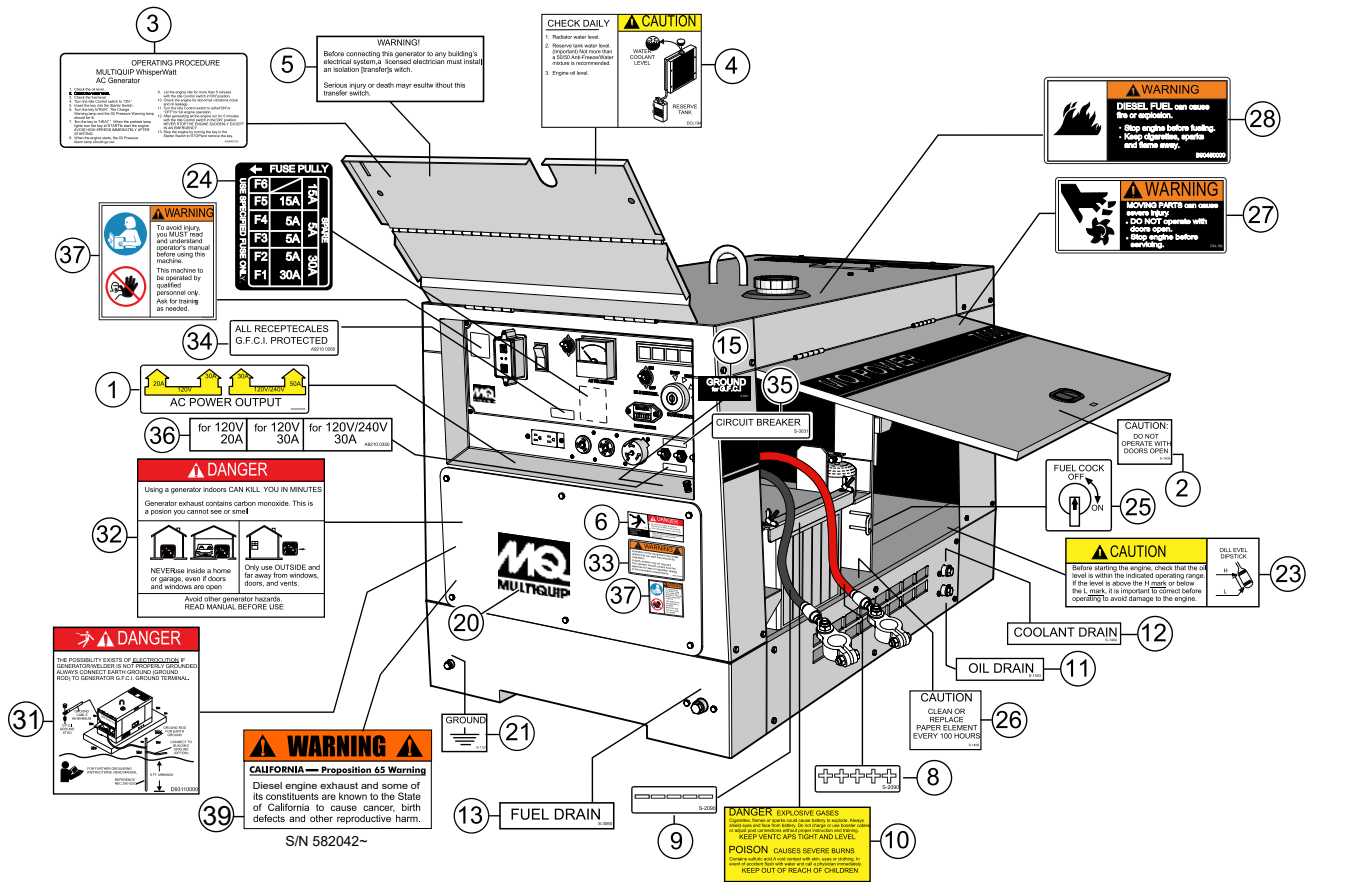
Part numbers on this Suggested Spare Parts list may supersede/replace the part numbers shown in the following parts lists.

KUBOTA Z482-E4B-DGDE-2 DIESEL ENGINE

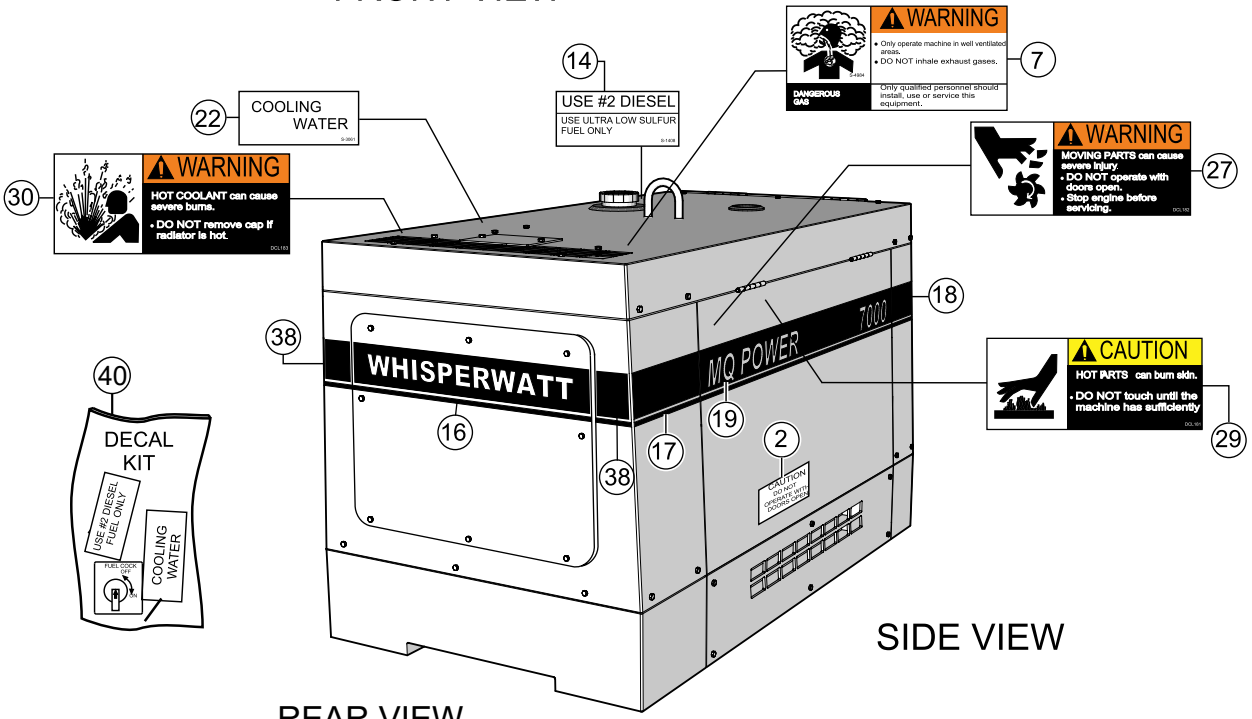
1 to 3 units

Qty.	P/N	Description
5.....	7000011221.....	ELEMENT, AIR FILTER
5.....	1T02143560	ELEMENT, FUEL FILTER
5.....	Y0602041299	OIL FILTER CARTRIDGE
2.....	1980572530.....	FAN BELT
1.....	1522139013.....	SWITCH, OIL
4.....	1G67965512.....	GLOW PLUG
2.....	1753883040.....	SWITCH, THERMOSTAT

NAMEPLATE AND DECALS ASSY.



FRONT VIEW



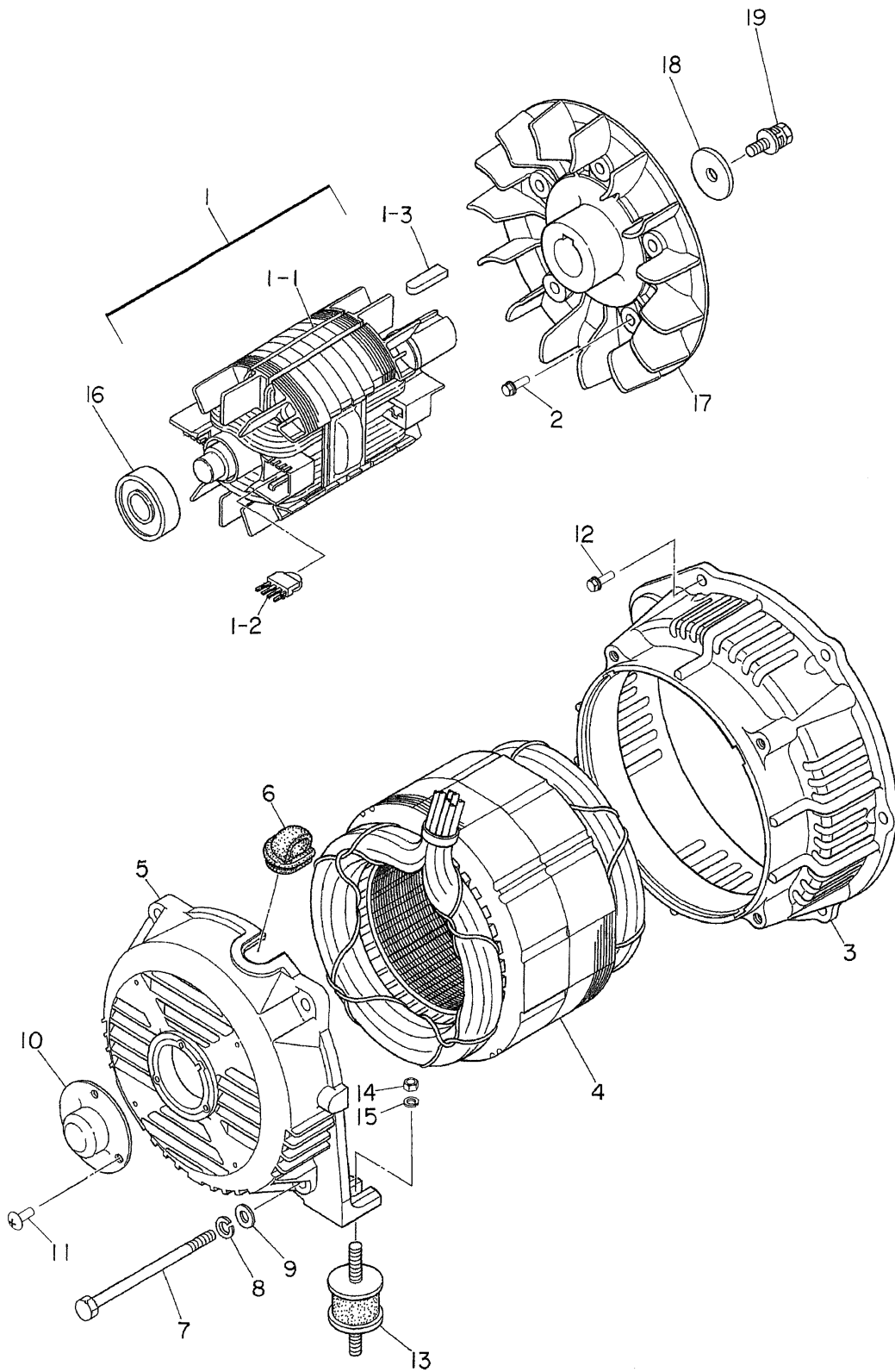
REAR VIEW

SIDE VIEW

NAMEPLATE AND DECALS ASSY.

<u>NO.</u>	<u>PART NO.</u>	<u>PART NAME</u>	<u>QTY.</u>	<u>REMARKS</u>
1\$	A5551000803	DECAL: AC POWER OUTPUT.....	1.....	A55100080
2\$	1630610504	DECAL: CAUTION.....	1.....	S1409
3\$	A5552000113	DECAL: OPERATING PROCEDURE.....	1.....	A55200011
4\$	6390671104	DECAL: IMPORTANT "CHECK DAILY".....	1.....	S2377
5\$	0820610404	DECAL: WARNING.....	1.....	S3627
6\$	8700611904	DECAL: DANGER ELECT. SHOCK HAZ.....	1.....	S4985
7\$	8700611804	DECAL: WARNING DANGEROUS GAS.....	1.....	S4984
8\$	0800689404	DECAL: +	1.....	S2090
9\$	0800689504	DECAL: -.....	1.....	S2091
10\$	0820650604	DECAL: DANGER EXPLOSIVE GASES	1	
11\$	1630645004	DECAL: OIL DRAIN.....	1.....	S1403
12\$	1630647004	DECAL: COOLANT DRAIN.....	1.....	S1404
13\$	7810680104	DECAL: FUEL DRAIN.....	1.....	S3060
14\$	B9504501214	DECAL: DIESEL FUEL.....	1.....	B90450121
15\$	7670624004	DECAL: GROUND FOR G. F. C. I.....	1.....	S3821
16\$	A5561100503	DECAL: STRIPE WHISPERWATT	1	
17\$	A5561100204	DECAL: STRIPE	2	
18\$	A5561100304	DECAL: STRIPE	2	
19\$	A5561100403	DECAL: STRIPE MQ POWER 7000	2	
20\$	A5562000004	DECAL: MQ.....	1.....	A56200000A
21\$	0800628504	DECAL: GROUND.....	1.....	S1123
22\$	7810680204	DECAL: COOLING WATER.....	1.....	S3061
23\$	B9505000304	DECAL: CAUTION OIL LEVEL GAUGE.....	1.....	B90500030
24\$	8700625504	DECAL: FUSE BOX.....	1.....	S4936
25\$	1630680104	DECAL: FUEL COCK.....	1.....	S1407
26\$	1630610404	DECAL: CAUTION.....	1.....	S1406
27\$	B9504000404	DECAL: WARNING MOVING PARTS.....	2.....	B90400040
28\$	B9504500004	DECAL: WARNING DIESEL FUEL.....	1.....	B90450000
29\$	B9504000304	DECAL: CAUTION HOT PARTS.....	1.....	B90400030
30\$	B9504100104	DECAL: WARNING HOT COOLANT.....	1.....	B90410010
31\$	D9531100004	DECAL: DANGER ELECTROCUTION.....	1.....	D93110000
32\$	A9504000014	DECAL: DANGER.....	1.....	A90400001
33\$	920214100	DECAL: WARNING START FIRES.....	1.....	REPLACES P/N M9504200004
34\$	A9521002604	DECAL: G. F. C. I. PROTECTED.....	1.....	A92100260
35\$	0840624504	DECAL: CIRCUIT BREAKER.....	1.....	S3031
36\$	A9521003504	DECAL: CIRCUIT BREAKER.....	1.....	A92100350
37\$	35137	DECAL: READ MANUAL.....	2.....	REPLACES P/N A9511100004
38\$	A5561100604	DECAL: STRIPE	2	
39\$	A9511101304	DECAL: WARNING PROP. 65.....	1.....	A91110130, S/N 5820425~
40	SDA7000SSA3	KIT, DECAL.....	1.....	INCLUDES ITEMS W/\$

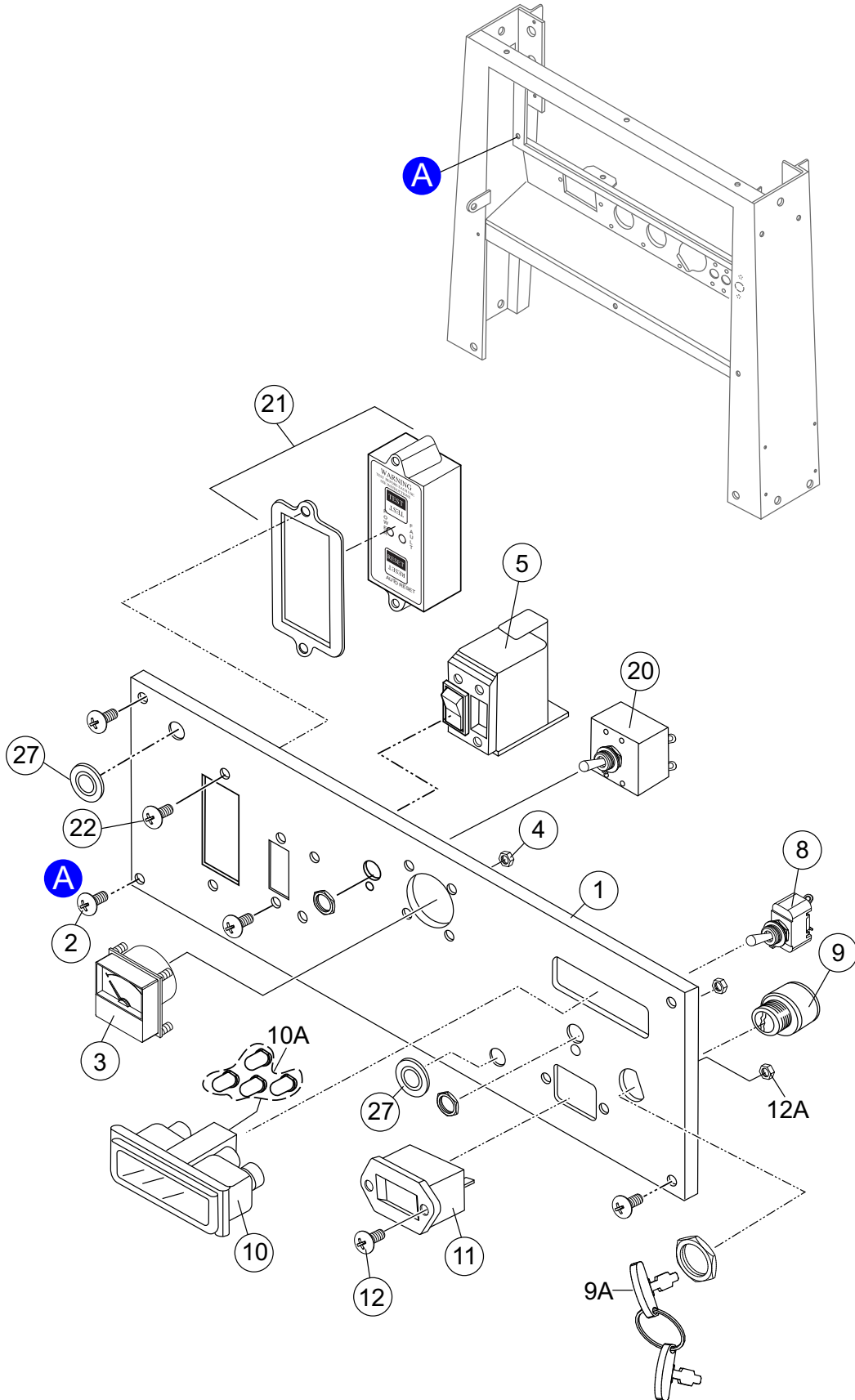
GENERATOR ASSY.



GENERATOR ASSY.

<u>NO.</u>	<u>PART NO.</u>	<u>PART NAME</u>	<u>QTY.</u>	<u>REMARKS</u>
1	A5110200003	ROTOR ASSY.....	1.....	INCLUDES ITEMS W/#
1-1#	A5116000103	FIELD ASSY.	1	
1-2#	7871025004	RECTIFIER ASSY.	2	
1-3#	0171707033	KEY	1	
2	011208025	HEX. HEAD BOLT.....	5.....	REPLACES P/N 0012308025
3	A515510002	END BRACKET	1	
4	A5136000103	ARMATURE ASSY.	1	
5	A6155000002C	END BRACKET	1.....	REPLACES P/N A6155000002
6	7871329514	GROMMET	1	
7	7901316004	SET BOLT	4	
8	0040008000	WASHER, LOCK	4	
9	0401450080	WASHER, FLAT	4.....	REPLACES P/N 0041208000
10	A6155400104C	COVER	1.....	REPLACES P/N A6155400104
11	BF0261	MACHINE SCREW	3.....	REPLACES P/N 0027105012
12	0012308020	HEX. HEAD BOLT	6	
13	0805084704	RUBBER SUSPENSION	2	
14	Y0207008000	HEX. NUT	2	
15	0801086004	WASHER, FLAT	2	
16	042006304	BEARING.....	1.....	REPLACES P/N 0071206304
17	A5113100002	FAN	1	
18	1991072004	SET WASHER, FAN	1	
19	0012308020	HEX. HEAD BOLT	1	

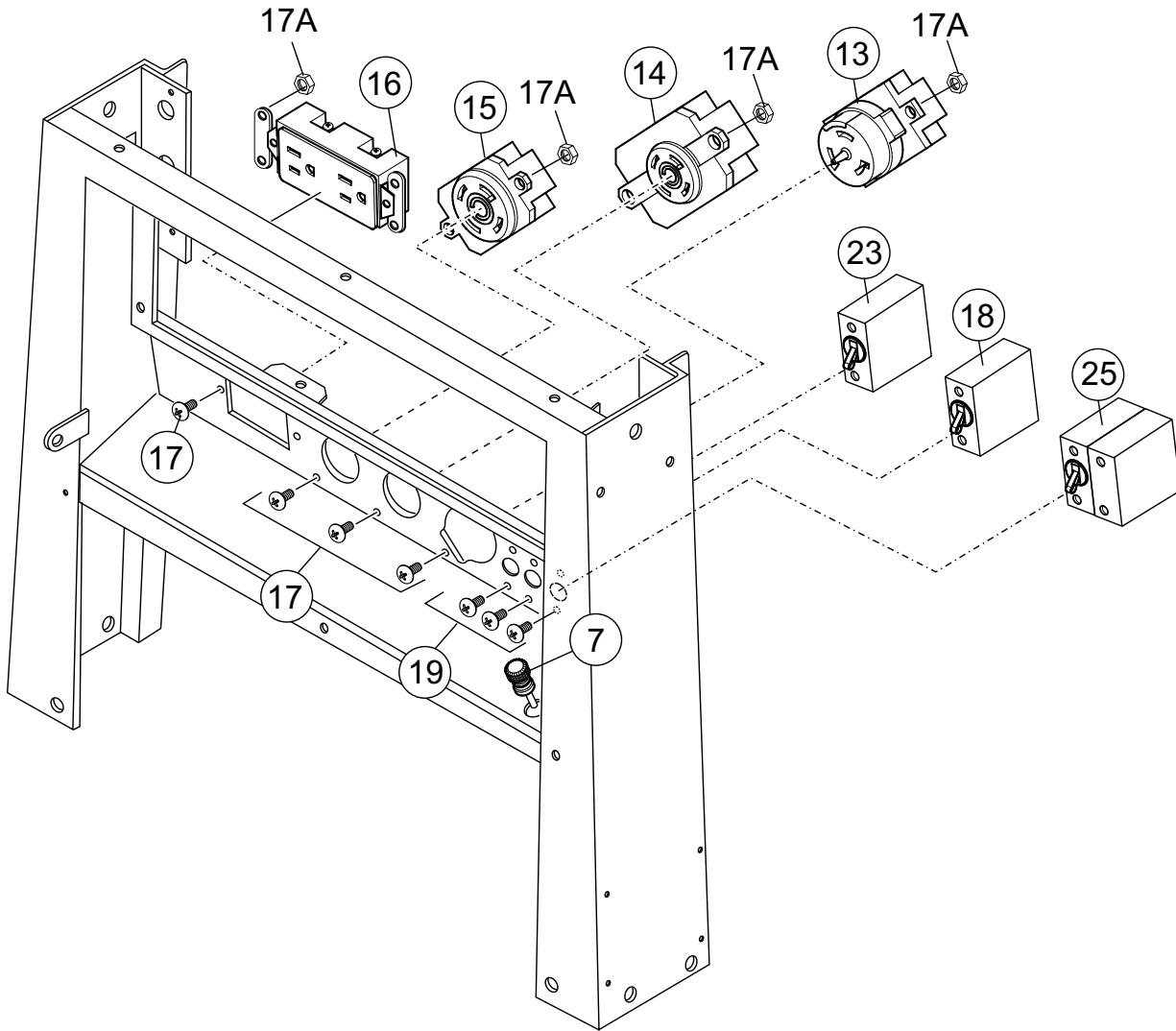
CONTROL PANEL ASSY. (UPPER)



CONTROL PANEL ASSY. (UPPER)

<u>NO.</u>	<u>PART NO.</u>	<u>PART NAME</u>	<u>QTY.</u>	<u>REMARKS</u>
1	A5511306902	CONTROL PANEL	1	
2	0021805020	MACHINE SCREW	4	
3	0601806819	AC VOLTMETER, 0-120/240V	1	
4	0207003000	HEX. NUT	2	
5	Y0601872303	CIRCUIT BREAKER, 120V @25A 2P	1	
8	0601830771	IDLE CONTROL SWITCH	1	
9	1628663602	STARTER SWITCH	1.....	REPLACES P/N 0602100077 INCLUDES ITEMS W/\$
9A\$	3741055150	IGNITION, KEY	2	
10	0601810523	INDICATOR ASSY.....	1.....	INCLUDES ITEMS W/#
10A#	0601810830	BULB	4	
11	0601800682	HOUR METER.....	1.....	S/N 5891296 AND BELOW
11	0601800674	HOUR METER.....	1.....	S/N 5891297 AND ABOVE
12	0027403512	MACHINE SCREW	2	
12A	0030003500	HEX. NUT	2	
20	Y0601830776	FULL POWER SWITCH	1	
21	0601829301	GFCI SENSING MODULE, 120A@120V	1.....	S/N 5908768 AND BELOW
21	Y0601829302	GFCI SENSING MODULE, 120A@120V	1.....	S/N 5908769 AND ABOVE
22	0021004020	MACHINE SCREW	2	
27	0601850218	GROMMET	2	

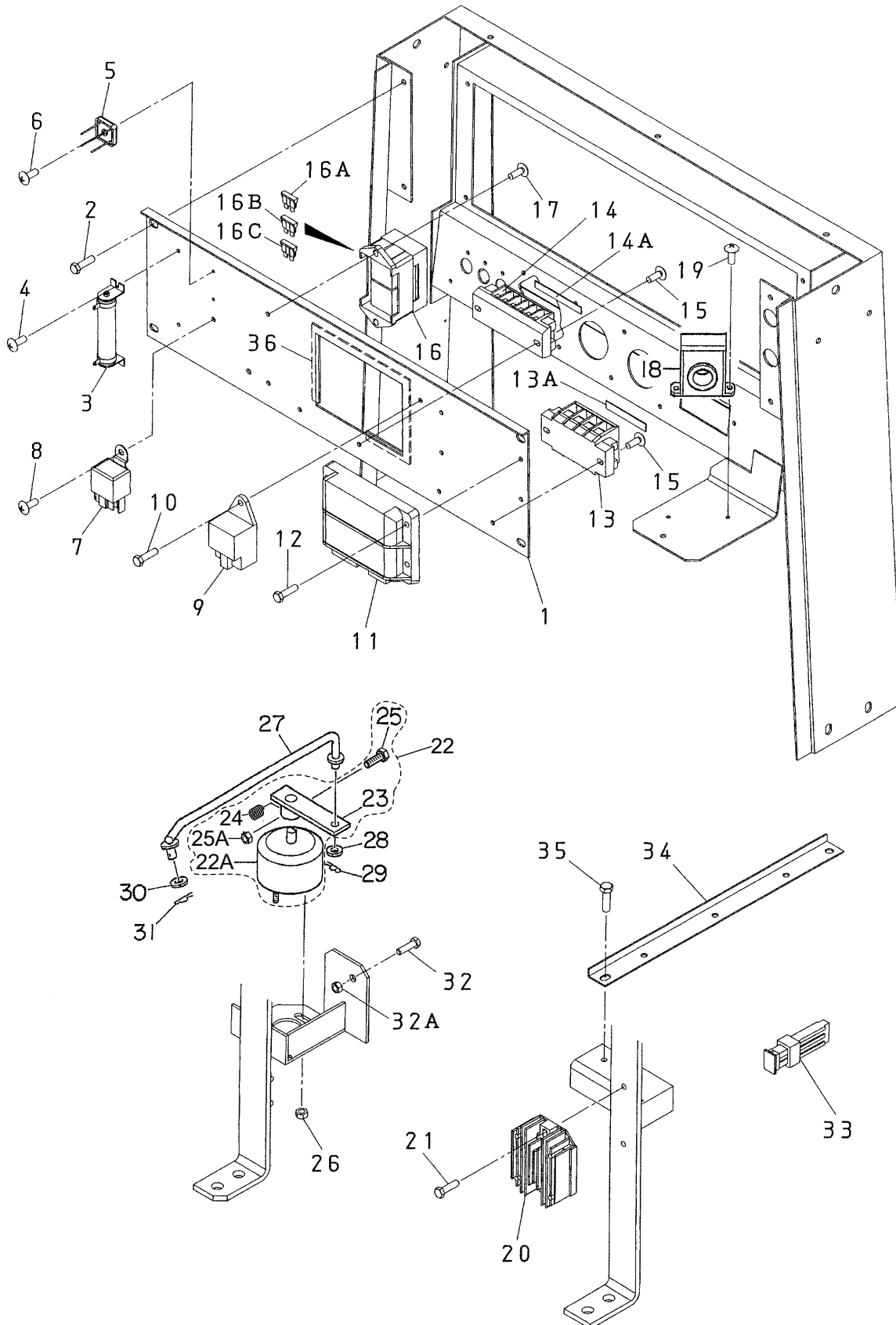
CONTROL PANEL ASSY. (LOWER)



CONTROL PANEL ASSY. (LOWER)

<u>NO.</u>	<u>PART NO.</u>	<u>PART NAME</u>	<u>QTY.</u>	<u>REMARKS</u>
7	0601815109	GROUND TERMINAL	1	
13	Y0601814014	RECEPTACLE, CS6369	1	
14	0601812529	RECEPTACLE, L14-30R 125V 30A	1	
15	0601811031	RECEPTACLE, L5-30R 125V 30A.....	1.....	REPLACES P/N 0601811035
16	0601814065	RECEPTACLE, 5-20R	1	
17	0021004010	MACHINE SCREW	8	
17A	OEMAA8	HEX. NUT	8.....	REPLACES P/N 0030004000
18	0601806424	CIRCUIT BREAKER, 1P 30A	1	
19	0027103006	MACHINE SCREW	6	
23	0601806423	CIRCUIT BREAKER, 1P 20A	1	
25	0601806425	CIRCUIT BREAKER, 2P 30A	1	

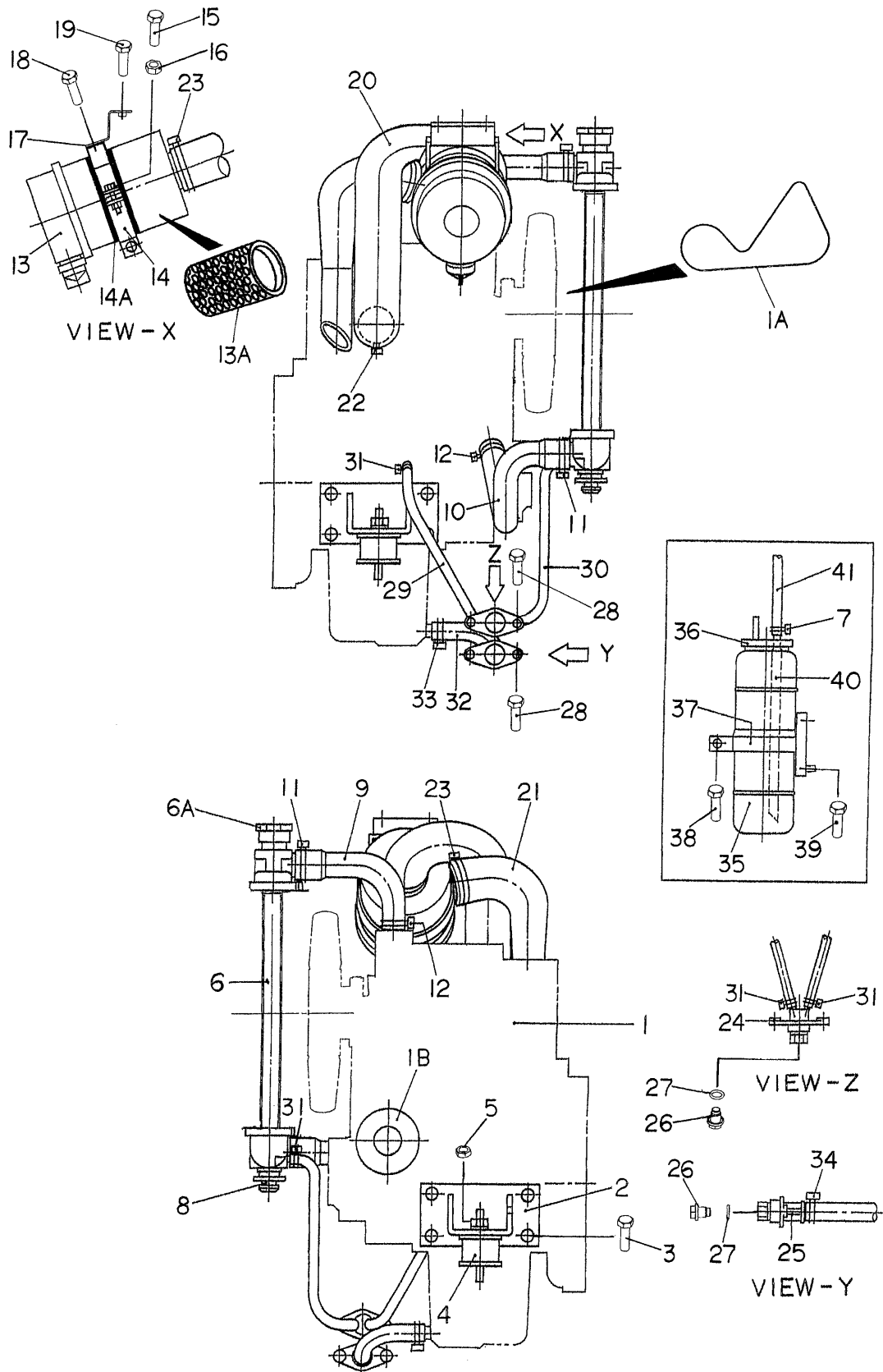
ELECTRIC PARTS ASSY.



ELECTRIC PARTS ASSY.

<u>NO.</u>	<u>PART NO.</u>	<u>PART NAME</u>	<u>QTY.</u>	<u>REMARKS</u>
1	A5261501403	BRACKET, ELECTRIC PARTS	1	
2	0016906016	HEX. HEAD BOLT	4	
3	0601842463	RESISTOR, 30W 10Ω	1	
4	0027104012	MACHINE SCREW	2	
5	0601823204	RECTIFIER, S5VB60	2	
6	0027103020	MACHINE SCREW	2	
7	0601823754	RELAY	1	
8	0027105016	MACHINE SCREW	1	
9	1569465990	LAMP TIMER.....	1	REPLACES P/N 0602201273
10	0017105016	HEX. HEAD BOLT	1	
11	1747260604	EMERGENCY UNIT.....	1	REPLACES P/N 0602200475
12	0017105025	HEX. HEAD BOLT	4	
13	0601815731	TERMINAL BOARD	1	
13A	A9521003604	SEAL	1	
14	0601815759	TERMINAL BOARD	1	
14A	D9522000704	SEAL	1	
15	0027105020	MACHINE SCREW	4	
16	B0352500104	FUSE BOX.....	1	INCLUDES ITEMS W/\$
16A\$	0601806642	FUSE, 5A	4	
16B\$	0601806643	FUSE, 15A	2	
16C\$	0601806644	FUSE, 30A	2	
17	0027105020	MACHINE SCREW	2	
18	0601827350	CONTROL UNIT	1	
19	0027104010	MACHINE SCREW	2	
20	1584464603	REGULATOR.....	1	REPLACES P/N 1584464600
21	0017105025	HEX. HEAD BOLT	2	
22	1992639003	ROTARY SOLENOID ASSY.....	1	INCLUDES ITEMS W/#
22A#	1622636103Z	ROTARY SOLENOID.....	1	REPLACES P/N 1620150404
23#	1992636004	ARM, SOLENOID	1	
24#	0050403020	SPRING PIN	1	
25#	011606025	HEX. HEAD BOLT.....	1	REPLACES P/N 0010106025
25A#	020106050	HEX. NUT	1	REPLACES P/N 0030006000
26	0023706000	HEX. NUT	2	REPLACES P/N 0207206000
27	D2356300004	GOVERNOR ROD	1	
28	0401450080	WASHER, FLAT	1	REPLACES P/N 031108160
29	0605010503	SNAP PIN	1	
30	0042806000	WASHER, FLAT	1	
31	505015300	SNAP PIN	1	REPLACES P/N 0605010502
32	0010108050	HEX. HEAD BOLT	1	
32A	020108060	HEX. NUT	1	REPLACES P/N 0207008000
33	0601806640	FUSE, 65A	1	
34	A5485500004	GUIDE	1	
35	0016906016	HEX. HEAD BOLT	2	
36	0226900340	RUBBER SEAL	1	

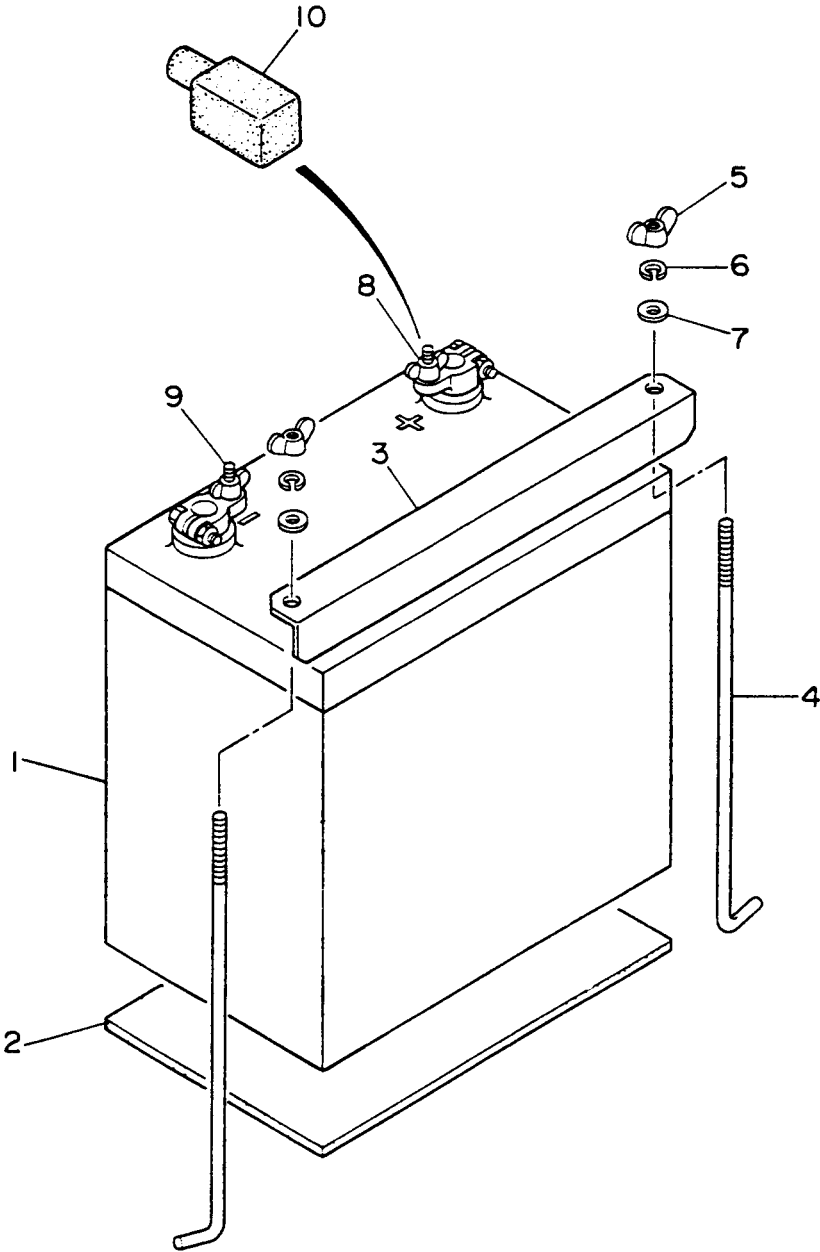
ENGINE AND RADIATOR ASSY.



ENGINE AND RADIATOR ASSY.

<u>NO.</u>	<u>PART NO.</u>	<u>PART NAME</u>	<u>QTY.</u>	<u>REMARKS</u>
1	A5924200174	ENGINE, KUBOTA Z482E4B	1	
1A	1980572530	FAN BELT	1	REPLACES P/N 1980572531
1B	Y0602041299	CARTRIDGE, OIL FILTER	1	
2	8745112003A	ENGINE FOOT	2	REPLACES P/N 8745112003
3	Y0341110020	HEX HEAD BOLT	8	
4	7085419004	RUBBER SUSPENSION	2	
5	021112140	HEX. NUT	2	REPLACES P/N 0207010000
6	0602012795	RADIATOR.....	1	INCLUDES ITEMS W/#
6A#	0602011079	CAP, RADIATOR	1	
7	0605515170	HOSE BAND	3	
8	B1312600004	RUBBER MOUNT	2	
9	A5311500404	RADIATOR HOSE, UPPER	1	
10	A5311500203	RADIATOR HOSE, LOWER	1	
11	0605515134	HOSE BAND HS-16	2	
12	0605515159	HOSE BAND, Ø32	2	
13	1556211010	AIR CLEANER.....	1	REPLACES P/N 0602046265
13A	7000011221	ELEMENT, AIR CLEANER.....	1	REPLACES P/N 0602046374
14	3415013960	BAND, AIR CLEANER	1	REPLACES P/N 0602040575
14A	0222600340	RUBBER CUSHION	1	
15	011208030	HEX. HEAD BOLT.....	1	REPLACES P/N 0016908030
16	020108060	HEX. NUT	1	REPLACES P/N 0207008000
17	8742031004	BRACKET, AIR CLEANER	1	
18	011008020	HEX. HEAD BOLT.....	2	REPLACES P/N 0016908020
19	011106015	HEX. HEAD BOLT.....	2	REPLACES P/N 0016906015
20	8742032003A	HOSE, AIR CLEANER.....	1	REPLACES P/N 8742032003
21	1612036203	HOSE, AIR CLEANER	1	
22	0605515006	HOSE BAND, Ø50	1	
23	0602014302	HOSE BAND, Ø55	2	REPLACE P/N 0605515021
24	1622014103	DRAIN JOINT, WATER	1	
25	1502025103C	DRAIN JOINT, OIL.....	1	REPLACES P/N 1502025103
26	0802011104	PLUG	2	
27	0150000018	O-RING, A P18	2	
28	011106015	HEX. HEAD BOLT.....	4	REPLACES P/N 0016906015
29	0199900550	DRAIN HOSE	1	
30	0199900500	DRAIN HOSE	1	
31	0605515170	HOSE BAND	4	
32	A5321100404	DRAIN HOSE	1	
33	0605515073	HOSE BAND, HS-10	1	
34	0605515073	HOSE BAND, HS-10	1	
35	0802081403	RESERVE TANK	1	
36	0802081104	CAP, RESERVE TANK	1	
37	1622082104	BRACKET, RESERVE TANK	1	
38	011606025	HEX. HEAD BOLT.....	1	REPLACES P/N 0016906025
39	011106015	HEX. HEAD BOLT.....	2	REPLACES P/N 0016906015
40	0199100215	HOSE	1	
41	0199900420	HOSE	1	

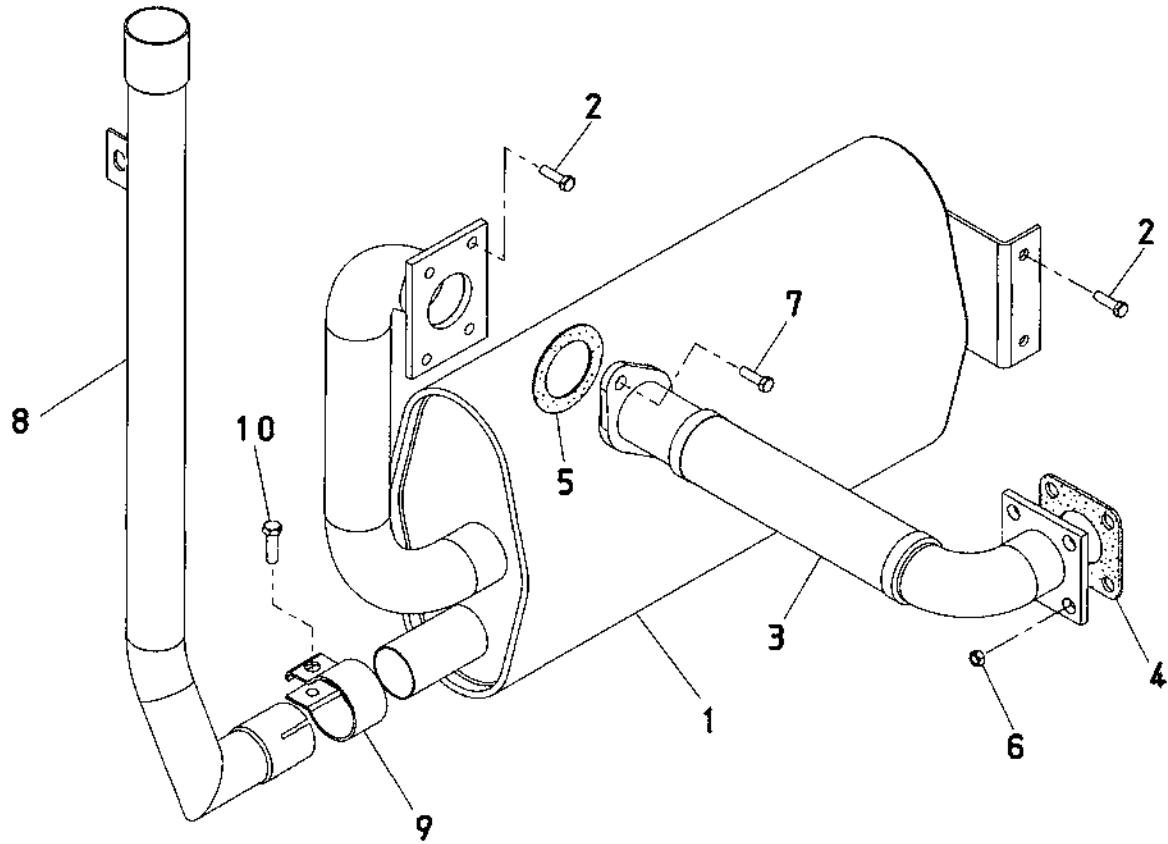
BATTERY ASSY.



BATTERY ASSY.

<u>NO.</u>	<u>PART NO.</u>	<u>PART NAME</u>	<u>QTY.</u>	<u>REMARKS</u>
1	Y0165103820	BATTERY, 38B20R	1	
2	0805081004	BATTERY SHEET	1.....	REPLACES P/N 1702202104
3	D2345200004	BATTERY BAND	1	
4	0805082704	BATTERY BOLT	2	
5	0037806000	WING NUT	2	
6	0040006000	WASHER, LOCK	2	
7	952404470	WASHER, FLAT	2.....	REPLACES P/N 0041206000
8	0602220311	TERMINAL ASSY. (POSITIVE)	1.....	REPLACE P/N 0602220310
9	0602220311	TERMINAL ASSY. (NEGATIVE)	1	
10	0845040414	TERMINAL CAP	1.....	REPLACES P/N 0602220600

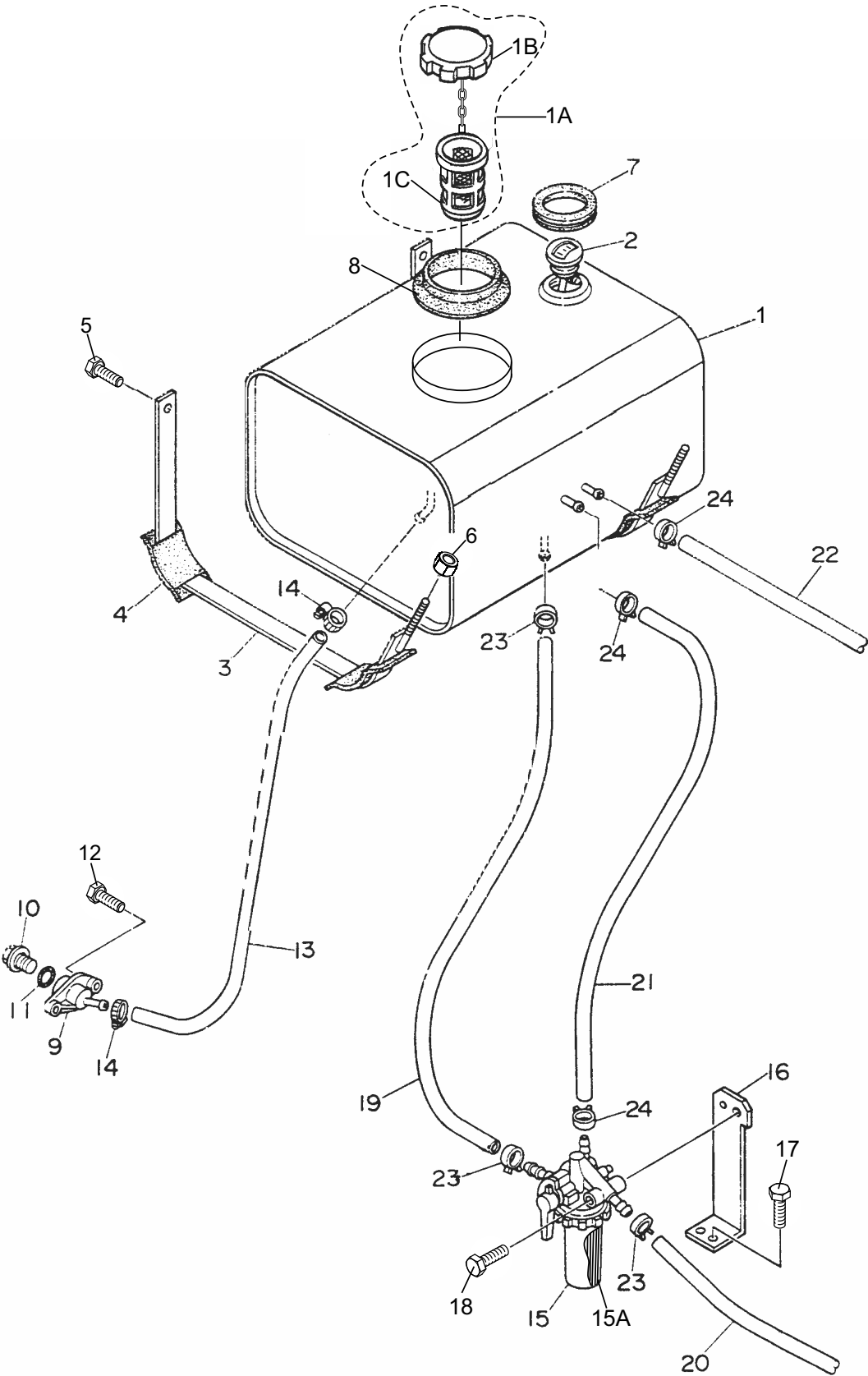
MUFFLER ASSY.



MUFFLER ASSY.

<u>NO.</u>	<u>PART NO.</u>	<u>PART NAME</u>	<u>QTY.</u>	<u>REMARKS</u>
1	A5331000203	MUFFLER	1	
2	011008020	HEX. HEAD BOLT.....	4.....	REPLACES P/N 0016908020
3	02335000003	EXHAUST PIPE	1	
4	0602320153	GASKET	1.....	REPLACES P/N 1526312371
5	09304000004	GASKET	1	
6	020108060	HEX. NUT	4.....	REPLACES P/N 0207008000
7	0012108035	HEX. HEAD BOLT.....	2.....	REPLACES P/N 0016908035
8	A5334101204	TAIL PIPE	1	
9	09101200004	PIPE BAND	1	
10	0012308035	HEX. HEAD BOLT	1	

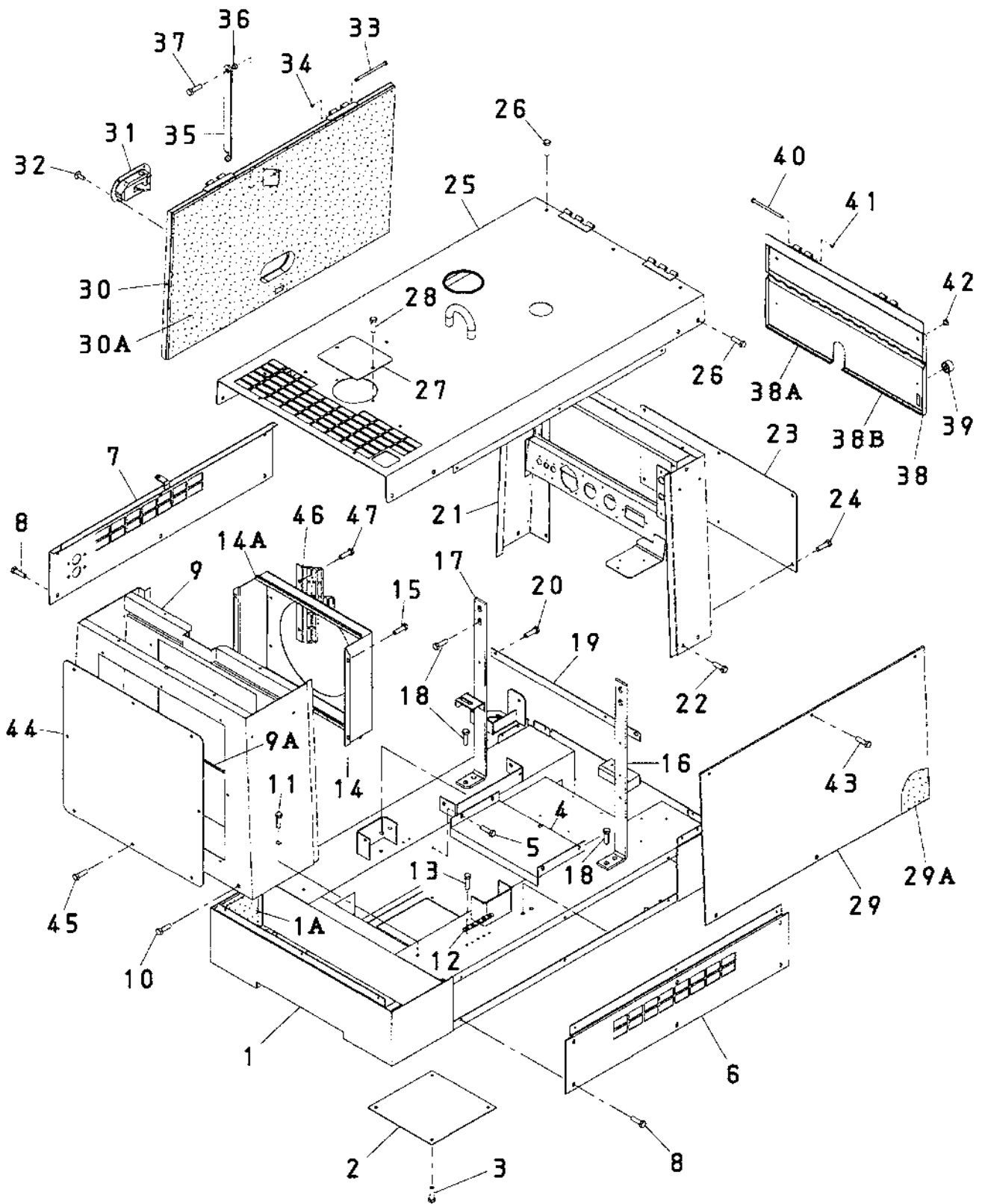
FUEL TANK ASSY.



FUEL TANK ASSY.

<u>NO.</u>	<u>PART NO.</u>	<u>PART NAME</u>	<u>QTY.</u>	<u>REMARKS</u>
1	D2365000013B	FUEL TANK.....	1.....	REPLACES P/N D2365000013
1A	A9924800024	FUEL TANK CAP ASSY.	1.....	INCLUDES ITEM W/#
1B#	0810105800	CAP, FUEL TANK	1	
1C#	0810105900	FUEL STRAINER	1	
2	0602125033	FUEL GAUGE	1	
3	D2365200004B	TANK BAND.....	2.....	REPLACES P/N D2365200004
4	0805003414	PAD, TANK BAND	4	
5	011106015	HEX. HEAD BOLT.....	2.....	REPLACES P/N 0016906015
6	0207308000	HEX. NUT	2	
7	D1490600104	RUBBER SEAL	1	
8	B9312400004	RUBBER SEAL	1	
9	7812014003	DRAIN JOINT	1	
10	0802011104	PLUG	1	
11	0150000018	O-RING	1	
12	0017106016	HEX. HEAD BOLT	2	
13	0199900670	DRAIN HOSE	1	
14	0605515170	HOSE BAND	2	
15	1553143010	FUEL FILTER.....	1.....	REPLACES P/N 1553143012
15A	1523143560	ELEMENT, FUEL FILTER	1.....	REPLACES P/N 0602042171
16	D2368700004B	BRACKET, FUEL FILTER	1.....	REPLACES P/N D2368700004
17	0016906016	HEX. HEAD BOLT	2	
18	0016908065	HEX. HEAD BOLT	1	
19	0966180240	SUCTION HOSE.....	1.....	REPLACES P/N 0605513158
20	Y0370600360	SUCTION HOSE	1	
21	0966140320	RETURN HOSE.....	1.....	REPLACES P/N 0605514101
22	0966140240	RETURN HOSE.....	1.....	REPLACES P/N 0605514102
23	0605515094	HOSE BAND	4	
24	0605515200	HOSE BAND	4	

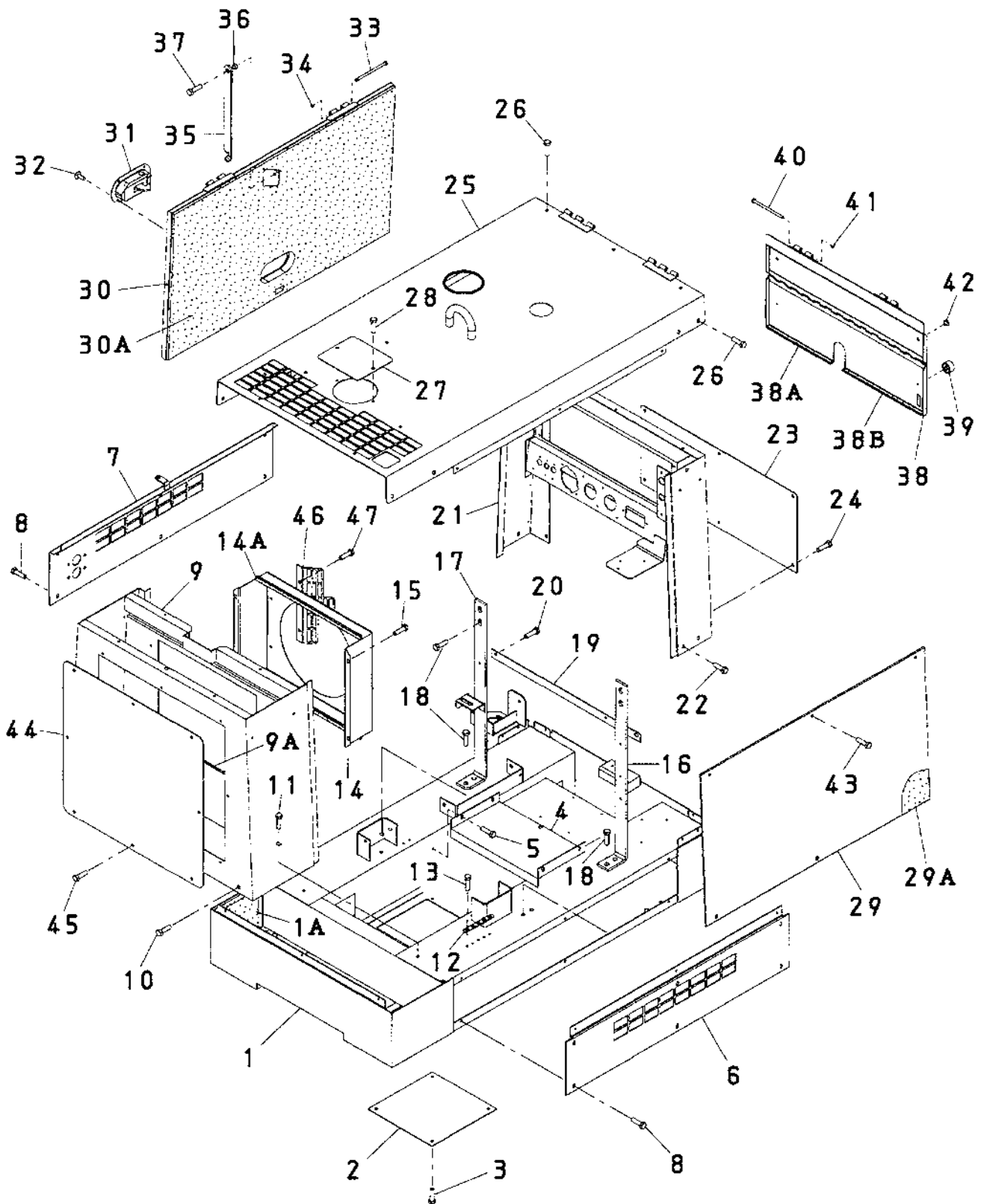
ENCLOSURE ASSY.



ENCLOSURE ASSY.

<u>NO.</u>	<u>PART NO.</u>	<u>PART NAME</u>	<u>QTY.</u>	<u>REMARKS</u>
1	A5414001402	BASE	1	
1A	D2492100004	LINING	1	
2	D2415100004	FLOOR PANEL	1	
3	011106015	HEX. HEAD BOLT.....	4	REPLACES P/N 0016906015
4	A5415600114	DUCT	1	
5	011106015	HEX. HEAD BOLT.....	5	REPLACES P/N 0016906015
6	A5454200103	SPLASHER PANEL	1	
7	D2455200003A	SPLASHER PANEL.....	1	REPLACES P/N D2455200003
8	011106015	HEX. HEAD BOLT.....	12	REPLACES P/N 0016906015
9	A5424001102	FRONT FRAME.....	1	REPLACES P/N D2425000032
9A	Y0315500375	RUBBER SEAL	2	
10	011106015	HEX. HEAD BOLT.....	3	REPLACES P/N 0016906015
11	011008020	HEX. HEAD BOLT.....	2	REPLACES P/N 0016908020
12	8511864601A	TERMINAL PLATE.....	1	REPLACES P/N 8511864604
13	011106015	HEX. HEAD BOLT.....	5	REPLACES P/N 0016906015
14	A5311300403	FAN SHROUD	1	
14A	Y0315500375	LINING	2	
15	011106015	HEX. HEAD BOLT.....	4	REPLACES P/N 0016906015
16	A5435300703	HANGER	1	
17	A5435300403	HANGER	1	
18	012210025	HEX. HEAD BOLT.....	8	REPLACES P/N 0012310025
19	D2485500014	HARNESS GUIDE	1	
20	011106015	HEX. HEAD BOLT.....	2	REPLACES P/N 0016906015
21	A5444002702	REAR FRAME	1	
22	011106015	HEX. HEAD BOLT.....	4	REPLACES P/N 0016906015
23	D2445300004	COVER, REAR FRAME	1	
24	011106015	HEX. HEAD BOLT.....	6	REPLACES P/N 0016906015

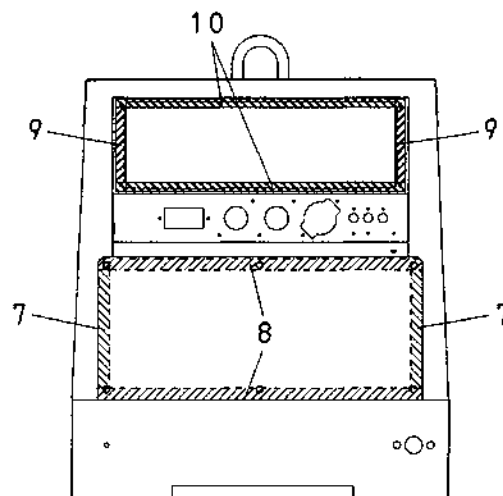
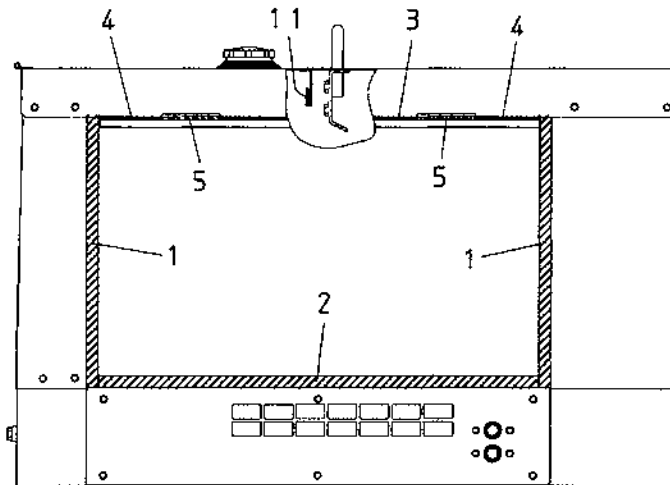
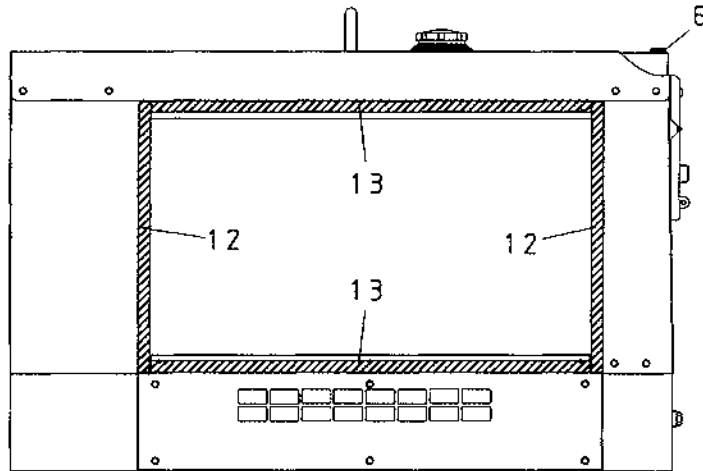
ENCLOSURE ASSY. (CONT'D.)



ENCLOSURE ASSY. (CONT'D.)

<u>NO.</u>	<u>PART NO.</u>	<u>PART NAME</u>	<u>QTY.</u>	<u>REMARKS</u>
25	A5464001202	ROOF PANEL	1	
26	011106015	HEX. HEAD BOLT.....	15.....	REPLACES P/N 0016906015
27	8432081004	COVER,RADIATOR CAP	1	
28	011106015	HEX. HEAD BOLT.....	2.....	REPLACES P/N 0016906015
29	A5454100304	SIDE DOOR	1	
29A	A5494400904	LINING	1	
30	D2455000013	SIDE DOOR	1	
30A	A5495400604	LINING	1	
31	0605010215	DOOR HANDLE	2	
32	0021805016	MACHINE SCREW	8	
33	0810014704	PIN	4	
34	0080200004	SNAP RING	4	
35	D2455700004	DOOR STAY	2	
36	7835088004	COLLAR	2	
37	011008020	HEX. HEAD BOLT.....	2.....	REPLACES P/N 0016908020
38	A5444200713	REAR DOOR	1	
38A	Y0226900225	RUBBER SEAL	1	
38B	Y0226900280	RUBBER SEAL	1	
39	0601851613	STOPPER	2	
40	0810014704	PIN	2	
41	0080200004	SNAP RING	2	
42	0601851660	STOPPER	2	
43	0016906015	HEX. HEAD BOLT	6	
44	A5424100004	FRONT PANEL	1	
45	0016906015	HEX. HEAD BOLT	8	
46	A6311200503	FAN GUARD	1	
47	0016906015	HEX. HEAD BOLT	2	

RUBBER SEALS ASSY.



RUBBER SEALS ASSY.

<u>NO.</u>	<u>PART NO.</u>	<u>PART NAME</u>	<u>QTY.</u>	<u>REMARKS</u>
1	Y0221200470	RUBBER SEAL	4	
2	0221200760	RUBBER SEAL	2	
3	Y0221200325	RUBBER SEAL	2	
4	Y0221200125	RUBBER SEAL	4	
5	0222600100	RUBBER SEAL	4	
6	0228300600	RUBBER SEAL	1	
7	0228300200	RUBBER SEAL	2	
8	0228300550	RUBBER SEAL	2	
9	Y0318400130	RUBBER SEAL	2	
10	Y0318400500	RUBBER SEAL	2	
11	0222100300	RUBBER SEAL	1	
12	Y0314700470	RUBBER SEAL	1	
13	Y0314700760	RUBBER SEAL	1	

PARTS MANUAL

HERE'S HOW TO GET HELP

PLEASE HAVE THE MODEL AND SERIAL
NUMBER ON HAND WHEN CALLING

UNITED STATES

Multiquip Inc.

(310) 537- 3700
6141 Katella Avenue Suite 200
Cypress, CA 90630
E-MAIL: mq@multiquip.com
WEBSITE: www.multiquip.com

CANADA

Multiquip

(450) 625-2244
4110 Industriel Boul.
Laval, Quebec, Canada H7L 6V3
E-MAIL: infocanada@multiquip.com

UNITED KINGDOM

Multiquip (UK) Limited Head Office

0161 339 2223
Unit 2, Northpoint Industrial Estate, Globe Lane,
Dukinfield, Cheshire SK16 4UJ
E-MAIL: sales@multiquip.co.uk

© COPYRIGHT 2024, MULTIQUIP INC.

Multiquip Inc, the MQ logo and the MQ Power logo are registered trademarks of Multiquip Inc. and may not be used, reproduced, or altered without written permission. All other trademarks are the property of their respective owners and used with permission.

This manual MUST accompany the equipment at all times. This manual is considered a permanent part of the equipment and should remain with the unit if resold.

The information and specifications included in this publication were in effect at the time of approval for printing. Illustrations, descriptions, references and technical data contained in this manual are for guidance only and may not be considered as binding. Multiquip Inc. reserves the right to discontinue or change specifications, design or the information published in this publication at any time without notice and without incurring any obligations.

Manufactured for
MQ Power Inc.
by
DENYO MANUFACTURING CORP.

