



DCA10SPXU4C

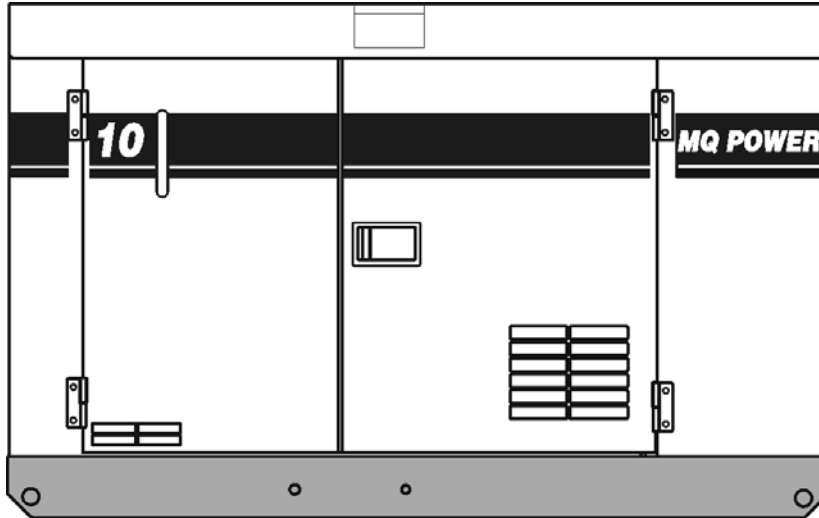
Generator

WhisperWatt™

Prime Rating — 10 kW (10 kVA)

Standby Rating — 11 kW (11 kVA)

Single-Phase, 60 Hertz, 1.0 PF



STANDARD FEATURES

- Heavy duty, 4-cycle, liquid cooled, direct injection diesel engine provides maximum reliability.
- EPA emissions certified — Tier 4 Final emissions compliant.
- Single-side Maintenance Design — Quick, direct access to all filters. External fluid drain extensions allow fast, easy service. Ideal for confined applications.
- Automatic safety shutdown system monitors the water temperature, engine oil pressure, battery charge. Warning lights indicate abnormal conditions.
- Electronic Governor Control — isochronous control, maintains frequency to within $\pm 0.25\%$ from no load to full load.
- Full load acceptance of standby nameplate rating in a single step.
- Sound attenuated, weather resistant, steel housing provides operation at 62 dB(A) at 23 feet. Fully lockable enclosure allows safe unattended operation.
- E-coat and powder coat paint provides durability and weather protection.
- Internal Fuel Tank — Holds 16.4 gallons (62 liters).
- Brushless generator design — reduces service and maintenance requirements.
- Complete power panel. Fully covered; single-phase terminals and single phase receptacles allow fast and convenient hookup for most applications including temporary power boxes, tools and lighting equipment. All are NEMA standard.
- Complete generator analog instrumentation includes voltage regulator control, ammeter phase selector switch, voltmeter phase selector switch, AC voltmeter, AC ammeter, frequency meter, panel light, key switch and circuit breaker.
- Mainline circuit breaker — OSHA and NEC compliant, 45 Amp rating.



DCA10SPXU4C

Generator

SPECIFICATIONS

Generator Specifications	
Design	Revolving field, self-ventilated Drip-proof, single bearing
No. of Poles	4-pole
Excitation	Brushless with AVR
Number of Leads	4
Generator RPM	1800
Voltage Regulation (No load to full load)	±0.5%
Power Factor	1.0
Winding Pitch	5/6
Frequency	60 Hz
Armature Connection	Series
Insulation	Class F
Sound Level dB(A) Full load at 23 feet	62

Engine Specifications	
Make / Model	Kubota/ D1503
Emissions	EPA Tier 4 Certified
Design	3-cylinder, 4-cycle, Liquid Cooled, Direct Injection
Displacement	1499 cc
Bore x Stroke	3.23 in x 3.63 in (83 mm x 92.4 mm)
SAE Gross Horsepower	24.8 hp (18.5 kW)
HP at Rated Speed	18.4 hp (13.7 kW)
Compression Ratio	21.6 : 1
Engine Speed	1800 rpm
Starting System	Electric
Battery	12V 70Ah x 1
Oil Capacity	1.48 gal (5.6 L)
Coolant Capacity	1.85 gal (7.0 L)

Fuel System	
Fuel Tank Capacity	16.4 gal (62.0 L)
Fuel Consumption	gal/hr (L/hr)
100% load	0.97 (3.7)
75% load	0.75 (2.8)
50% load	0.58 (2.2)
25% load	0.44 (1.7)

Exhaust System	
Gas Flow (full load)	109.1 cfm (3.09 m ³ /min)
Gas Temperature	1005.8 °F (541 °C)

Cooling System	
Coolant Capacity (with radiator)	1.85 gallons (7 liters)
Ambient Temperature Rating	104°F (40°C)

Amperage	
Rated Voltage	Maximum Amps
1Ø 120 Volt	20 Amps Zigzag 30 Amps (Zigzag)
1Ø 240 Volt	41.6 Amps (Continuous)
Main Line Circuit Breaker Rating	45 Amps

WARRANTY*

Kubota Engine

24 months from date of purchase or 2000 hours (whichever occurs first).

Generator

24 months from date of purchase or 2000 hours (whichever occurs first).

Trailer

12 months excluding normal wear items.

*Refer to the express written, one-year limited warranty sheet for additional information.

NOTICE

Specifications sheet is subject to change and is not intended for use in installation design.



DCA10SPXU4C

Generator

MQ POWER DECIBEL LEVELS

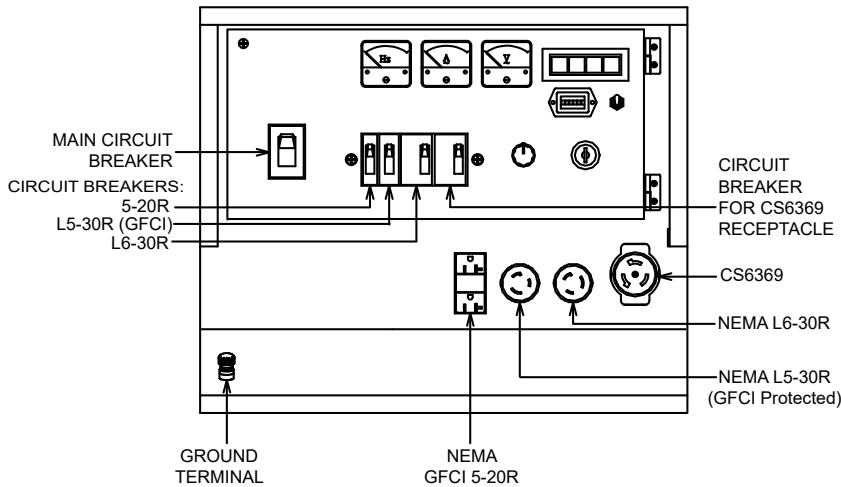
Our soundproof housing allows substantially lower operating noise levels than competitive designs. DIS100SSK4F is at home on construction sites, in residential neighborhoods, and at hospitals — just about anywhere.

- 90 — Subway / truck traffic
- 80 — Average city traffic
- 70 — Inside car at 60 mph
- 62.0 — DIS100SSK4F at 23 feet
- 60 — Air conditioner at 20 feet
- 50 — Normal conversation

62.0
DECIBELS

OPTIONAL FEATURES

- **Automatic start/stop control** — automatically starts and monitors generator during power failure when used in conjunction with a transfer switch.
- **Jacket water heater** — for easy starting in cold climates.
- **Solid state battery charger** — provides fully automatic and self-adjusting charging to the generator's battery system.
- **Fuel/water filter** — effectively separates damaging condensation from fuel.
- **Emergency stop switch** — when manually activated, shuts down generator in the event of an emergency.
- **Single-wall or double-wall sub-base fuel tanks** — additional fuel cell for extended run time. Available in a variety of configurations.
- **Trailer mounted package** — highway legal trailer with single axle configuration. Extra capacity fuel tank is also available.



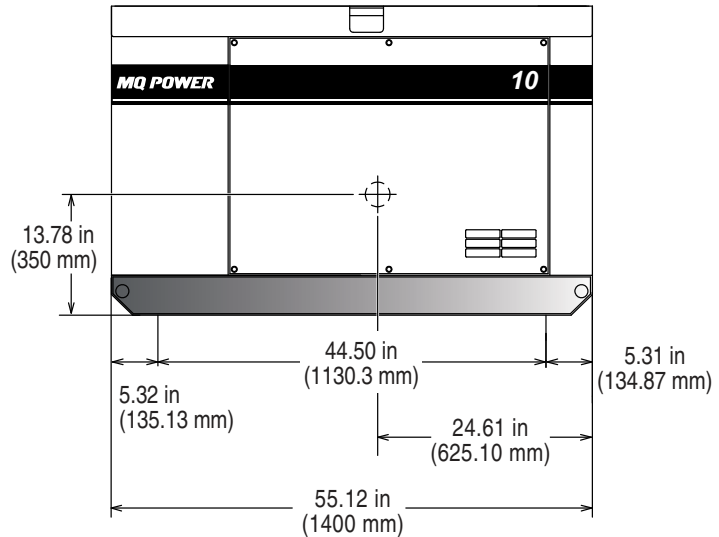
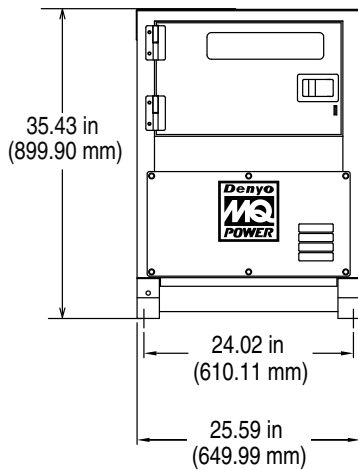
Generator Control Panel



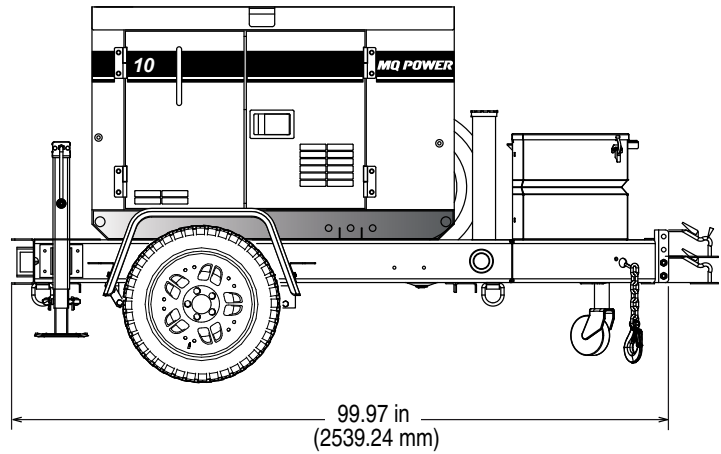
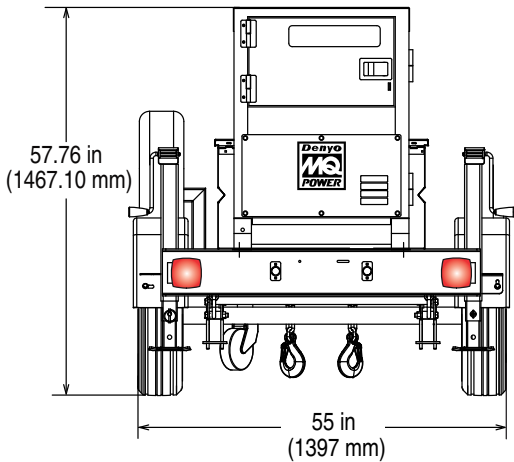
DCA10SPXU4C

Generator

SKID-MOUNT DIMENSIONS



TRAILER-MOUNT DIMENSIONS



DCA10SPXU4C Weights*

Dry Weight	1,112 lbs (504 kg)
Wet Weight	1,300 lbs (590 kg)
Max. Lifting Point Capacity	2,000 lbs (907 kg)

* Weights do not include options.

DCA10SPXU4C and TRLRMPXF Weights*

Dry Weight (with TRLRMPXF)	1,620 lbs. (735 kg)
Wet Weight (with TRLRMPXF)	1,808 lbs. (820 kg)

Generator can be placed on MQ Trailer Models TRLRMP, TRLRMPXF and TRLR75XF2.

NOTICE

Features and Specifications are subject to change without notice.



MULTIQUIP
 6141 Katella Avenue Suite 200
 Cypress, CA 90630
 310-537-3700
 E-MAIL: mq@multiquip.com
 WEBSITE: www.multiquip.com