

PARTS MANUAL



WHISPERWATT™ SERIES MODEL DCA36SPXU4F 60Hz GENERATOR (ISUZU 4LE2X DIESEL ENGINE)

PARTS LIST NO. M1871300304P

Revision #12 (02/13/25)

To find the latest revision of this publication or associated operation manual, visit our website at: www.mqpower.com



THIS MANUAL MUST ACCOMPANY THE EQUIPMENT AT ALL TIMES.

DCA36SPXU4F 60Hz GENERATOR

| | |
|--|---|
| Explanation Of Code In Remarks Column..... | 4 |
| Suggested Spare Parts | 5 |

Component Drawings

| | |
|------------------------------------|-------|
| Generator Assembly | 6–7 |
| Control Box Assembly | 8–11 |
| Control Panel Assembly | 12–15 |
| Engine And Radiator Assembly | 16–19 |
| Output Terminal Assembly | 20–23 |
| Battery Assembly | 24–25 |
| Muffler Assembly | 26–27 |
| Fuel Tank Assembly..... | 28–29 |
| Battery Charger Assembly..... | 30–31 |
| Jacket Water Heater Assembly | 32–33 |
| Enclosure Assembly | 34–39 |
| Rubber Seals Assembly | 40–41 |
| Nameplate And Decals Assembly..... | 42–45 |

NOTICE

Specifications and part numbers are subject to change without notice.

EXPLANATION OF CODE IN REMARKS COLUMN

The following section explains the different symbols and remarks used in the Parts section of this manual. Use the help numbers found on the back page of the manual if there are any questions.

NOTICE

The contents and part numbers listed in the parts section are subject to change without notice. Multiquip does not guarantee the availability of the parts listed.

SAMPLE PARTS LIST

| NO. | PART NO. | PART NAME | QTY. | REMARKS |
|-----|----------|----------------------|------|---------------------|
| 1 | 12345 | BOLT | 1 | INCLUDES ITEMS W/% |
| 2% | | WASHER, 1/4 IN. | | NOT SOLD SEPARATELY |
| 2% | 12347 | WASHER, 3/8 IN. ... | 1 | MQ-45T ONLY |
| 3 | 12348 | HOSE | A/R | MAKE LOCALLY |
| 4 | 12349 | BEARING | 1 | S/N 2345B AND ABOVE |

NO. Column

Unique Symbols — All items with same unique symbol (@, #, +, %, or >) in the number column belong to the same assembly or kit, which is indicated by a note in the “Remarks” column.

Duplicate Item Numbers — Duplicate numbers indicate multiple part numbers, which are in effect for the same general item, such as different size saw blade guards in use or a part that has been updated on newer versions of the same machine.

NOTICE

When ordering a part that has more than one item number listed, check the remarks column for help in determining the proper part to order.

PART NO. Column

Numbers Used — Part numbers can be indicated by a number, a blank entry, or TBD.

TBD (To Be Determined) is generally used to show a part that has not been assigned a formal part number at the time of publication.

A blank entry generally indicates that the item is not sold separately or is not sold by Multiquip. Other entries will be clarified in the “Remarks” Column.

QTY. Column

Numbers Used — Item quantity can be indicated by a number, a blank entry, or A/R.

A/R (As Required) is generally used for hoses or other parts that are sold in bulk and cut to length.

A blank entry generally indicates that the item is not sold separately. Other entries will be clarified in the “Remarks” Column.

REMARKS Column

Some of the most common notes found in the “Remarks” Column are listed below. Other additional notes needed to describe the item can also be shown.

Assembly/Kit — All items on the parts list with the same unique symbol will be included when this item is purchased.

Indicated by:

“INCLUDES ITEMS W/(unique symbol)”

Serial Number Break — Used to list an effective serial number range where a particular part is used.

Indicated by:

“S/N XXXXX AND BELOW”

“S/N XXXX AND ABOVE”

“S/N XXXX TO S/N XXX”

Specific Model Number Use — Indicates that the part is used only with the specific model number or model number variant listed. It can also be used to show a part is NOT used on a specific model or model number variant.

Indicated by:

“XXXXX ONLY”

“NOT USED ON XXXX”

“Make/Obtain Locally” — Indicates that the part can be purchased at any hardware shop or made out of available items. Examples include battery cables, shims, and certain washers and nuts.

“Not Sold Separately” — Indicates that an item cannot be purchased as a separate item and is either part of an assembly/kit that can be purchased, or is not available for sale through Multiquip.

SUGGESTED SPARE PARTS

DCA36SPXU4F WHISPERWATT GENERATOR WITH ISUZU 4LE2X DIESEL ENGINE

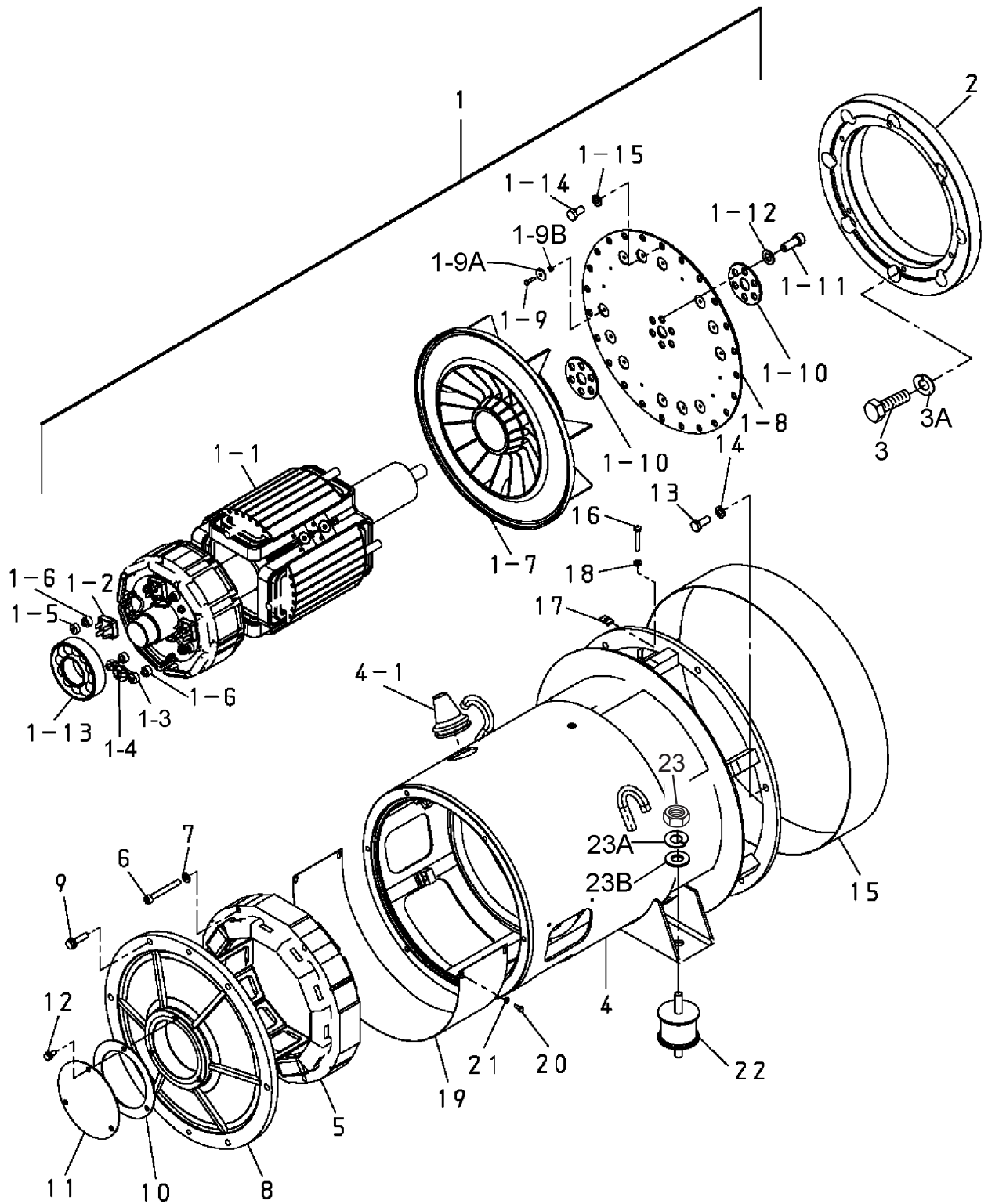
1 to 3 units

| Qty. | P/N | Description |
|------|-------------|-----------------------------|
| 3 | PMAF25436 | AIR FILTER (PRIMARY) |
| 3 | P822769 | ELEMENT, AIR (SECONDARY) |
| 3 | 8980756761 | OIL FILTER |
| 3 | 8980490340 | V-BELT |
| 5 | 8982402790 | ELEMENT, FUEL FILTER (PRE) |
| 5 | 8982402800 | ELEMENT, FUEL FILTER (MAIN) |
| 5 | 8981731650 | KIT, FEED PUMP FILTER |
| 1 | M1311500603 | RADIATOR HOSE, UPPER |
| 1 | M1311500703 | RADIATOR HOSE, LOWER |
| 2 | 0601870440 | CIRCUIT BREAKER, 1P, 20 AMP |
| 2 | 0601870441 | CIRCUIT BREAKER, 2P, 50 AMP |
| 1 | 0601820626 | AUTOMATIC VOLTAGE REGULATOR |
| 2 | 0601810277 | BULB, LAMPS |
| 1 | LY2DUS12VDC | RELAY, W/ DIODE |
| 1 | 0601802133 | FUSE, 5 AMP |
| 1 | Y0601806684 | FUSE, 8 AMP |
| 3 | 0601802149 | FUSE, 10 AMP |
| 2 | 0601806671 | FUSE, 15 AMP |
| 1 | 0601806644 | FUSE, 30 AMP |
| 1 | 0601806640 | FUSE, 65 AMP |

NOTICE

Part numbers on this Suggested Spare Parts list may supersede/replace the part numbers shown in the following parts lists.

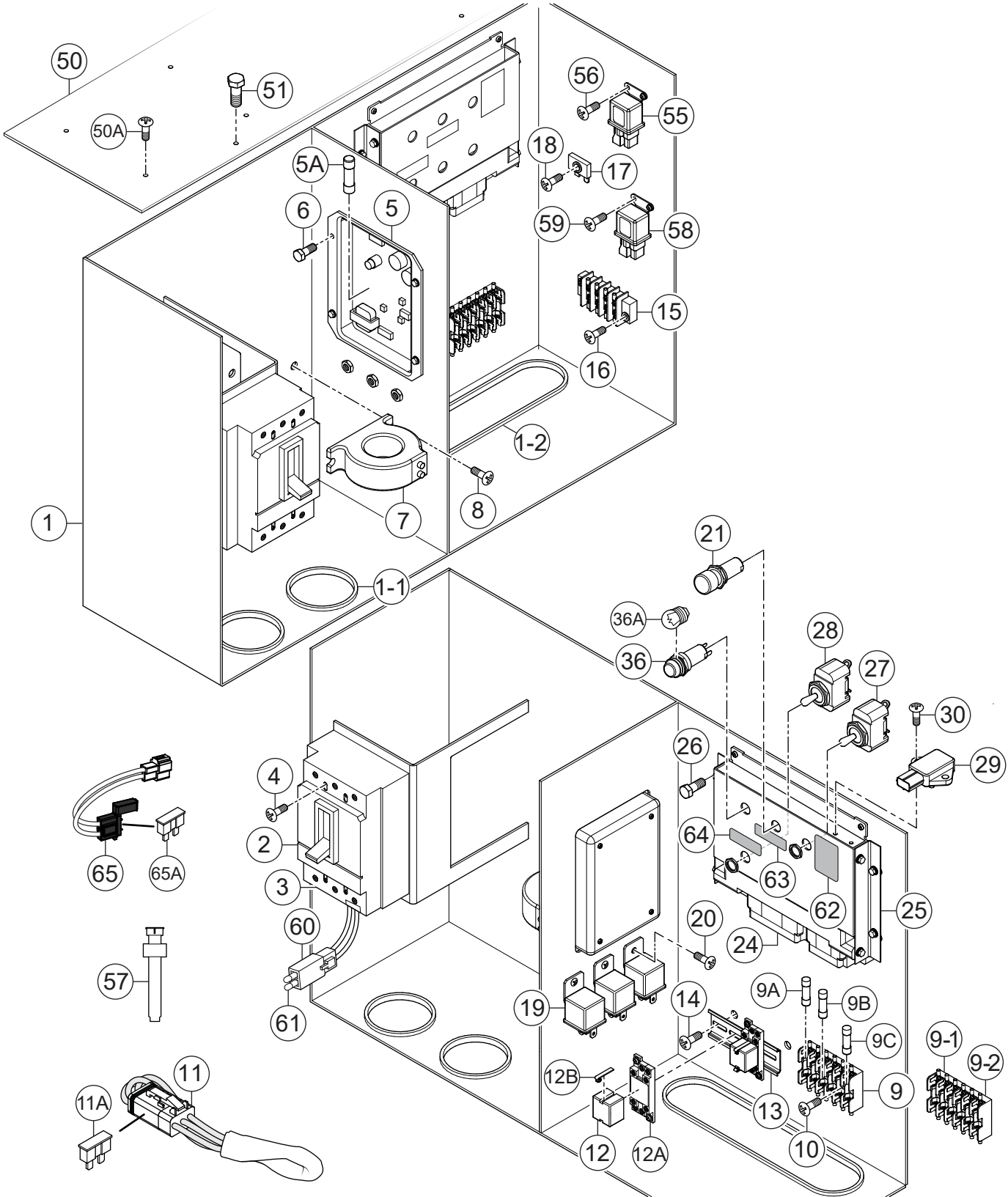
GENERATOR ASSY.



GENERATOR ASSY.

| <u>NO.</u> | <u>PART NO.</u> | <u>PART NAME</u> | <u>QTY.</u> | <u>REMARKS</u> |
|------------|-----------------|----------------------------|-------------|-----------------------------------|
| 1 | B5110000402 | ROTOR ASSY..... | 1 | INCLUDES ITEMS W/# |
| 1-1# | | FIELD ASSY. | 1 | |
| 1-2# | 0601820083 | RECTIFIER | 3 | |
| 1-3# | 0601822664 | ZNR | 1 | |
| 1-4# | B3120100804 | HOLDER, ZNR | 1 | |
| 1-5# | B3120100604 | INSULATOR WASHER | 3 | |
| 1-6# | B3120100704 | INSULATOR WASHER | 5 | |
| 1-7# | B3111100603 | FAN | 1 | |
| 1-8# | B3163100204 | COUPLING DISK..... | 3 | PURCHASE SET OF 1-9 WHEN ORDERING |
| 1-9# | 0010304016 | HEX. HEAD BOLT | 1 | |
| 1-9A# | B4163700004 | BALANCING WEIGHT | 1 | |
| 1-9B# | 0204004000 | U NUT | 1 | |
| 1-10# | B3163200104 | COUPLING WASHER | 2 | |
| 1-11# | 0342612030 | HEX. SOCKET HEAD CAP SCREW | 6 | |
| 1-12# | 0046512000 | WASHER, FLAT | 6 | |
| 1-13# | 0071906309 | BEARING | 1 | |
| 1-14 | 014208020 | HEX. HEAD BOLT..... | 6 | REPLACES P/N 0010308020 |
| 1-15 | 0042508000 | WASHER, LOCK | 6 | |
| 2 | M1164400203 | COUPLING RING | 1 | |
| 3 | 012210035 | HEX. HEAD BOLT..... | 8 | REPLACES P/N 0010310035 |
| 3A | 0040010000 | WASHER, LOCK | 8 | |
| 4 | B4130100903 | STATOR ASSY. | 1 | INCLUDES ITEMS W/# |
| 4-1% | 0845041904 | GROMMET | 1 | |
| 5 | B3137000803 | FIELD ASSY., EXCITER | 1 | |
| 6 | 0016008060 | HEX SOCKET HEAD CAP SCREW | 4 | |
| 7 | 0042508000 | WASHER, LOCK | 4 | |
| 8 | B3153000513 | END BRACKET | 1 | |
| 9 | 0017108035 | HEX. HEAD BOLT | 6 | |
| 10 | B3153400504 | PACKING | 1 | |
| 11 | B3153400404 | COVER, SUCTION | 1 | |
| 12 | 0017106016 | HEX. HEAD BOLT | 3 | |
| 13 | 0105091025 | HEX. HEAD BOLT..... | 6 | REPLACES P/N 0010310025 |
| 14 | 030210250 | WASHER, LOCK..... | 6 | REPLACES P/N 0042510000 |
| 15 | B3131300004 | COVER, END BRACKET | 1 | |
| 16 | 0340406040 | HEX. HEAD BOLT | 1 | |
| 17 | 020106050 | NUT..... | 1 | REPLACES P/N 0600815000 |
| 18 | 952404470 | WASHER, FLAT..... | 1 | REPLACES P/N 0041206000 |
| 19 | B3131300804 | COVER, END BRACKET | 1 | |
| 20 | 0029205012 | MACHINE SCREW | 4 | |
| 21 | 58151 | WASHER, FLAT..... | 4 | REPLACES P/N 0041205000 |
| 22 | Y0605000407 | RUBBER SUSPENSION | 2 | |
| 23 | 0030012000 | HEX. NUT | 2 | |
| 23A | 0040012000 | WASHER, LOCK | 2 | |
| 23B | 031112230 | WASHER, FLAT..... | 2 | REPLACES P/N 0041212000 |

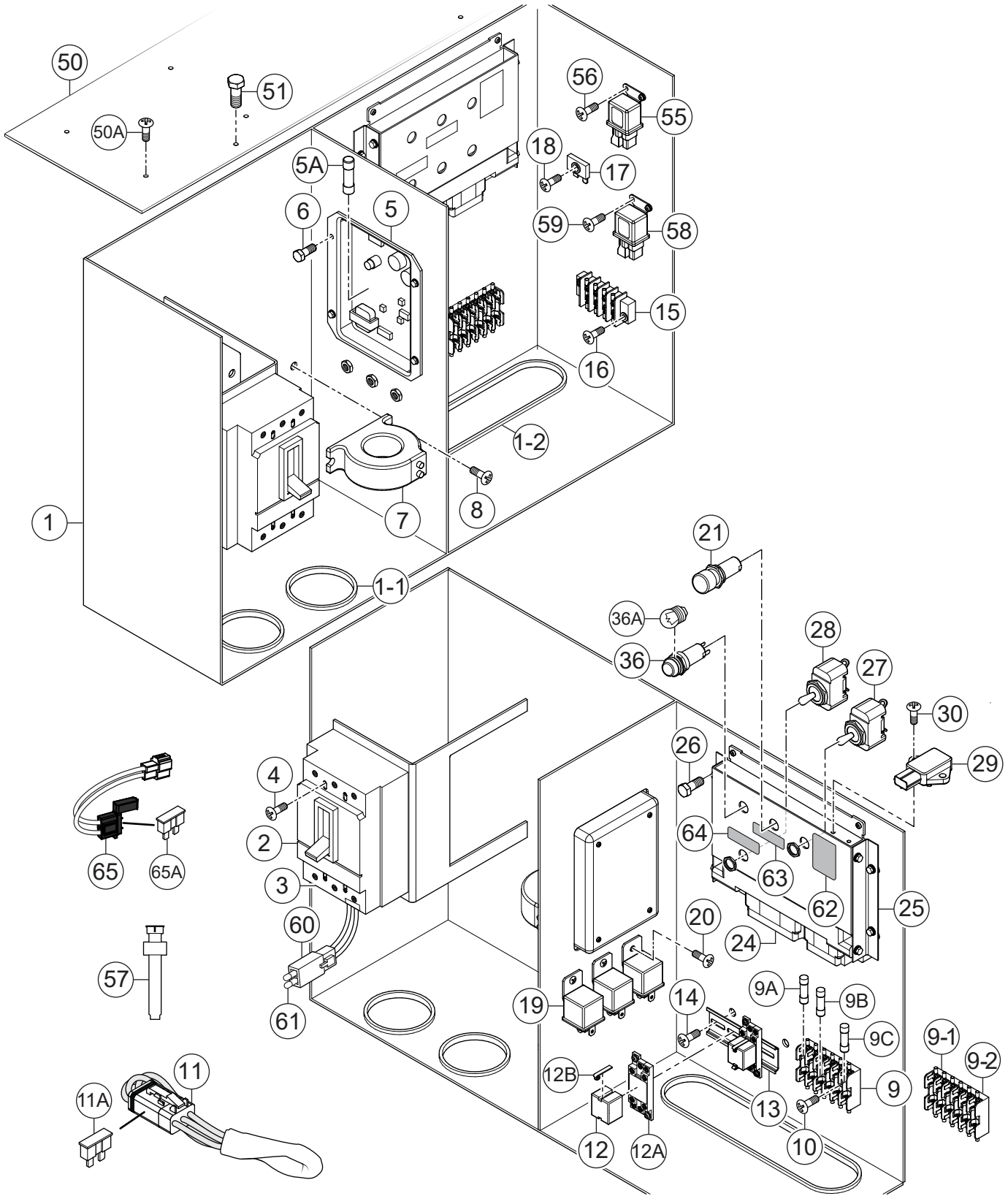
CONTROL BOX ASSY.



CONTROL BOX ASSY.

| <u>NO.</u> | <u>PART NO.</u> | <u>PART NAME</u> | <u>QTY.</u> | <u>REMARKS</u> |
|------------|-----------------|----------------------------------|-------------|--|
| 1 | M1214000602 | CONTROL BOX | 1 | |
| 1-1 | 0411100185 | EDGING | 2 | |
| 1-2 | 0411100585 | EDGING | 1 | |
| 2 | 0601870434 | CIRCUIT BREAKER 3P 150A | 1 | |
| 3 | 0601870490 | END CAP KIT | 2 | |
| 4 | 0021004040 | MACHINE SCREW | 4 | |
| 5 | 0601820626 | AUTOMATIC VOLTAGE REGULATOR..... | 1 | INCLUDES ITEMS W/\$ |
| 5A\$ | Y0601806684 | FUSE 250V 7A | 1 | |
| 6 | 0027105015 | MACHINE SCREW | 4 | |
| 7 | 0601801124 | CURRENT TRANSFORMER | 2 | |
| 8 | 011206020 | MACHINE SCREW | 4 | REPLACES P/N 0027106020 |
| 9 | 0601802218 | HOLDER, FUSE 6P | 1 | S/N 8730365 AND BELOW S/N 8730387 AND ABOVE |
| 9-1 | Y0601818020 | HOLDER, FUSE 1P | 1 | S/N 8730366 ~ 8730388 |
| 9-2 | Y0601818021 | HOLDER, FUSE 2P | 1 | S/N 8730366 ~ 8730388 |
| 9A | 0601806671 | FUSE 15A | 2 | |
| 9B | 0601802149 | FUSE 10A | 3 | |
| 9C | 0601802133 | FUSE 5A | 1 | |
| 10 | 0027103015 | MACHINE SCREW | 2 | S/N 8730365 AND BELOW S/N 8730397 AND ABOVE |
| 10 | 0027103010 | MACHINE SCREW | 4 | S/N 8730366 ~ 8730396 |
| 11 | M2357202104 | FUSE HOLDER | 1 | |
| 11A | 0601806644 | FUSE 30A | 1 | |
| 12 | LY2DUS12VDC | RELAY WITH DIODE | 2 | REPLACES P/N 0601827656 S/N 8730225 AND BELOW |
| 12 | LY2DUS12VDC | RELAY WITH DIODE | 1 | REPLACES P/N 0601827656 S/N 8730226 AND ABOVE |
| 12A | PTF08A | BASE..... | 2 | REPLACES P/N 0601823109 S/N 8730225 AND BELOW |
| 12A | PTF08A | BASE..... | 1 | REPLACES P/N 0601823109 S/N 8730226 AND ABOVE |
| 12B | PYCA1 | CLIP | 4 | REPLACES P/N 0601824400 S/N 8730225 AND BELOW |
| 12B | PYCA1 | CLIP | 2 | REPLACES P/N 0601824400 S/N 8730226 AND ABOVE |
| 13 | Y0290000100 | MOUNTING RAIL | 1 | |
| 14 | 7538070 | MACHINE SCREW | 2 | REPLACES P/N 0027104015 |
| 15 | 0601815153 | TERMINAL BLOCK..... | 1 | S/N 8730333 AND BELOW |
| 15 | Y0601816538 | TERMINAL BLOCK..... | 1 | S/N 8730334 AND ABOVE |
| 16 | 7538070 | MACHINE SCREW | 2 | REPLACES P/N 0027104015 |
| 17 | 0601821370 | RECTIFIER | 2 | REPLACES P/N 0601823240 |
| 18 | 0027104030 | MACHINE SCREW | 1 | |
| 19 | 5825500290 | RELAY | 3 | REPLACES P/N 0602201400 |
| 20 | 0027105010 | MACHINE SCREW | 3 | |

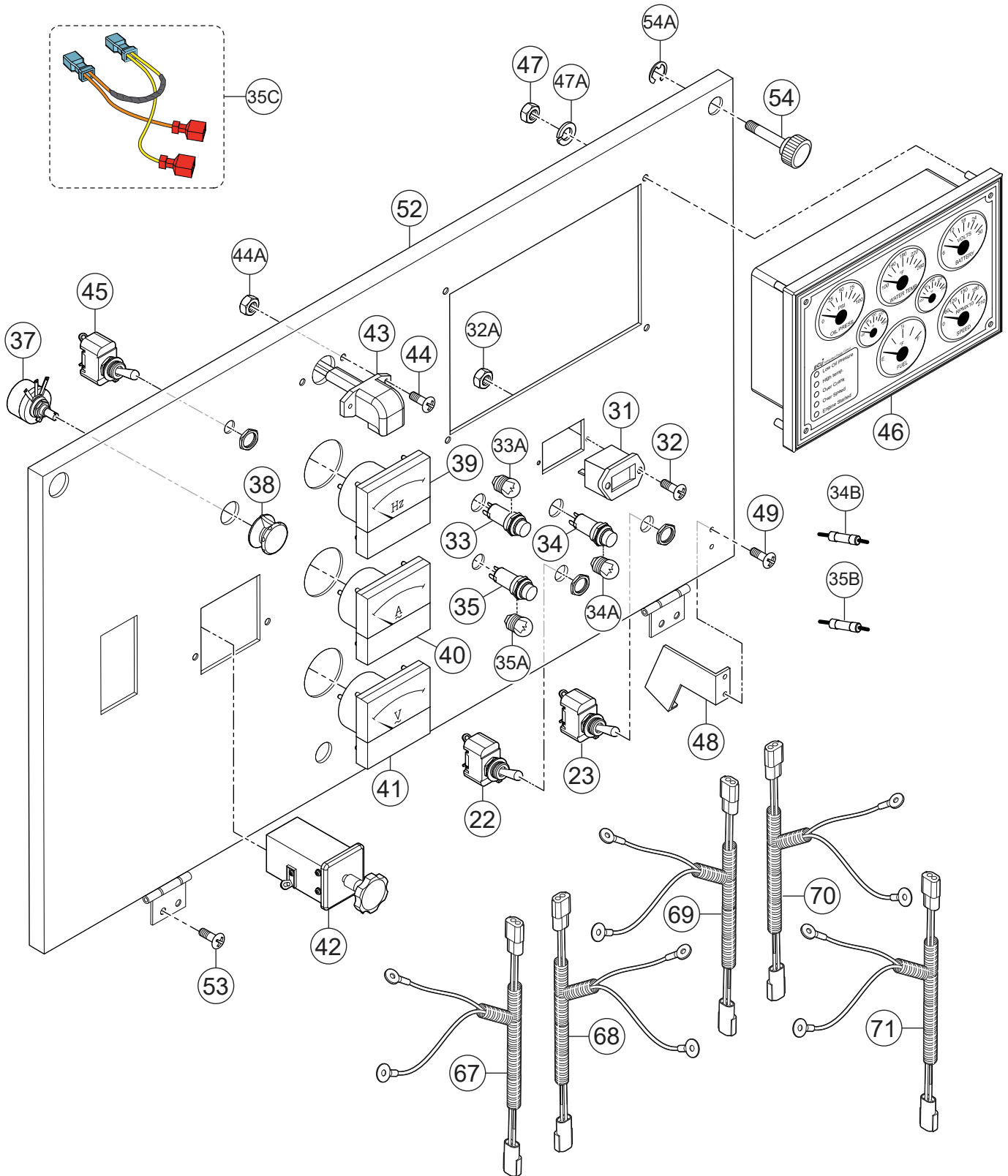
CONTROL BOX ASSY. (CONT'D.)



CONTROL BOX ASSY. (CONT'D.)

| <u>NO.</u> | <u>PART NO.</u> | <u>PART NAME</u> | <u>QTY.</u> | <u>REMARKS</u> |
|------------|-----------------|----------------------------------|-------------|---|
| 21 | 0601831205 | PUSH BUTTON SWITCH | 1 | |
| 24 | 8975062140 | ENGINE CONTROLLER (ECM)..... | 1 | REPLACES P/N 8982460530 |
| 25 | M1214600204 | CONTROLLER BRACKET | 1 | |
| 26 | 011106015 | HEX. HEAD BOLT | 8 | REPLACES P/N 0016906015 |
| 27 | 0601830710 | DIAGNOSTIC SWITCH | 1 | |
| 28 | 0601830762 | FUEL PUMP SWITCH | 1 | |
| 29 | 8972177780 | BAROMETRIC PRESSURE SENSOR | 1 | REPLACES P/N 0602130220 |
| 30 | 0027105015 | MACHINE SCREW | 2 | |
| 36 | 0602103092 | ALARM LAMP | 1 | INCLUDES ITEMS W/# S/N 8730250 AND BELOW |
| 36 | Y0601814453 | LED LAMP | 1 | S/N 8730251 AND ABOVE |
| 36A# | 0601810277 | BULB | 1 | S/N 8730250 AND BELOW |
| 50 | M1213500704 | CONTROL BOX COVER | 1 | |
| 50A | 0027105015 | MACHINE SCREW | 4 | S/N 8730371 AND ABOVE |
| 51 | 011106015 | HEX. HEAD BOLT | 4 | REPLACES P/N 0016906015 |
| 57 | 0601806640 | FUSE 65A | 1 | |
| 60 | 0601812626 | PLUG | 1 | |
| 61 | 0601812712 | PINS (MALE) | 2 | |
| 62 | M9520000904 | DECAL; DIAGNOSTIC SWITCH | 1 | |
| 63 | M9520001104 | DECAL; DIAGNOSTIC BUTTON | 1 | |
| 64 | M9520002104 | DECAL; FUEL PUMP SWITCH | 1 | |
| 65 | M2357202104 | HOLDER, FUSE..... | 1 | S/N 8730226 AND ABOVE |
| 65A | 0601806645 | FUSE..... | 1 | S/N 8730226 AND ABOVE |

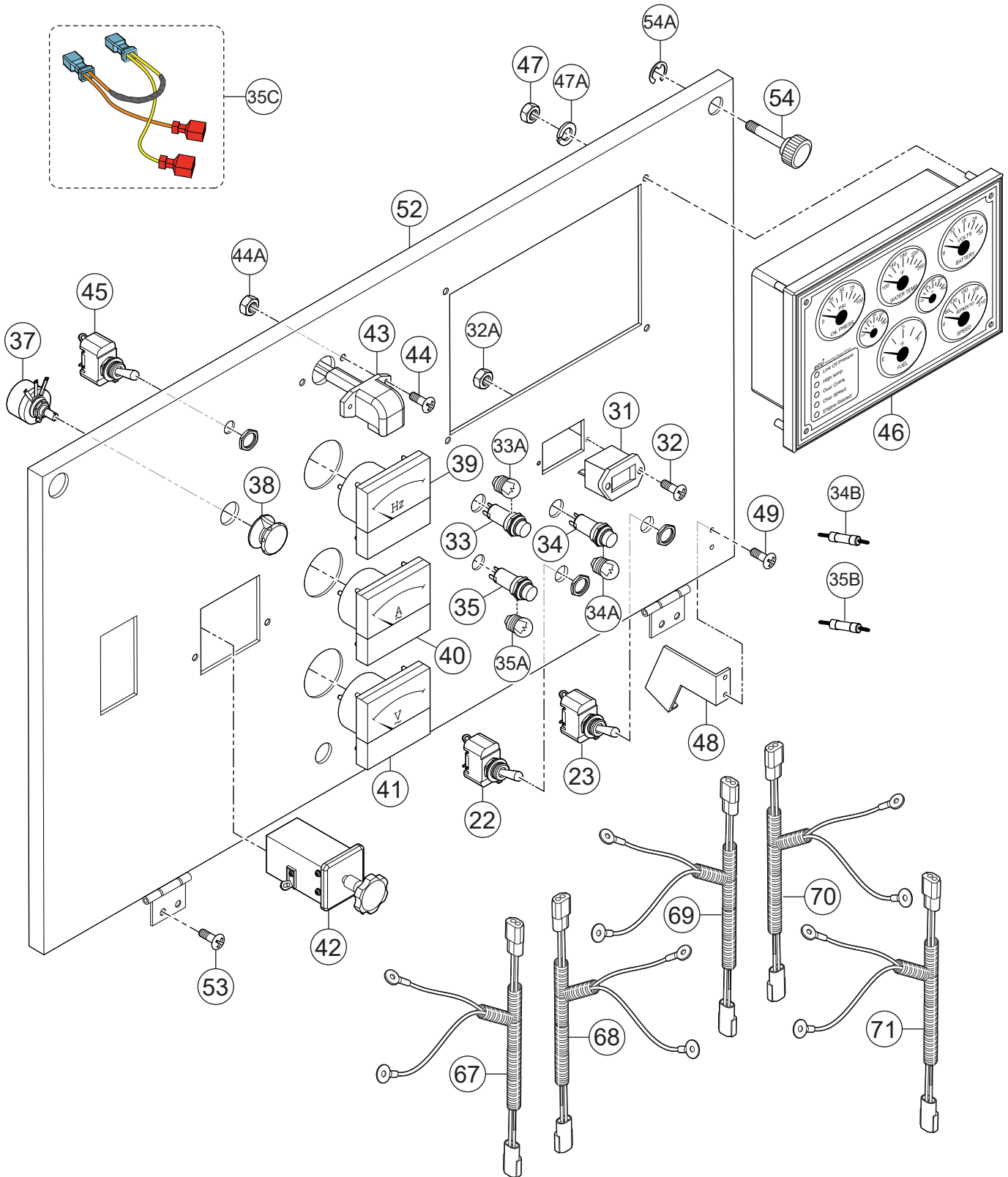
CONTROL PANEL ASSY.



CONTROL PANEL ASSY.

| <u>NO.</u> | <u>PART NO.</u> | <u>PART NAME</u> | <u>QTY.</u> | <u>REMARKS</u> |
|------------|-----------------|------------------------------------|-------------|--|
| 22 | 82608 | AUTO START/STOP SWITCH | 1 | REPLACES P/N 0601831340 S/N 8730414 AND BELOW |
| 22 | Y0601831345 | AUTO START/STOP SWITCH | 1 | S/N 8730415 AND ABOVE |
| 23 | 0601830710 | ENGINE SPEED SWITCH | 1 | |
| 31 | 0601800682 | HOUR METER | 1 | S/N 8730323 AND BELOW |
| 31 | Y0601800674 | HOUR METER, LD12F1RS-B..... | 1 | S/N 8730324 AND ABOVE |
| 32 | 0027103015 | MACHINE SCREW | 2 | |
| 32A | 0207003000 | SELF-LOCKING NUT | 2 | |
| 33 | 0602103092 | FUEL LEAK DETECTED ALARM LAMP..... | 1 | INCLUDES ITEMS W/# S/N 8730250 AND BELOW |
| 33 | Y0601814453 | LED LAMP..... | 1 | S/N 8730251 AND ABOVE |
| 33A# | 0601810277 | BULB..... | 1 | S/N 8730250 AND BELOW |
| 34 | 0602103092 | PREHEAT LAMP | 1 | INCLUDES ITEMS W/% S/N 8730250 AND BELOW |
| 34 | Y0601814453 | LED LAMP..... | 1 | S/N 8730251 AND ABOVE |
| 34A% | 0601810277 | BULB..... | 1 | S/N 8730250 AND BELOW |
| 34B | 0601842542 | RESISTOR, 2W210 1KΩ..... | 1 | S/N 8730251 AND ABOVE |
| 35 | 0602103092 | WARNING LAMP | 1 | INCLUDES ITEMS W/@ S/N 8730250 AND BELOW |
| 35 | Y0601814453 | WARNING LED LAMP | 1 | S/N 8730251 AND ABOVE |
| 35A@ | 0601810277 | BULB..... | 1 | S/N 8730250 AND BELOW |
| 35B | 0601842542 | RESISTOR, 2W210 1KΩ..... | 1 | S/N 8730264 ~ 8730353 |
| 35C | M1358203504 | RESISTOR HARNESS, WARNING LAMP.. | 1 | S/N 8730251 AND ABOVE |
| 37 | 0601840073 | RHEOSTAT (VOLT. REG.) 2W 1KΩ | 1 | |
| 38 | 0601840100 | KNOB | 1 | REPLACES P/N 0601840121 |
| 39 | 0601807641 | FREQUENCY METER | 1 | |
| 40 | 0601806845 | AC AMMETER | 1 | |
| 41 | 0601800271 | AC VOLTMETER | 1 | |
| 42 | 0601801040 | CHANGE-OVER SWITCH, AMMETER | 1 | |
| 43 | Y0601810170 | PANEL LIGHT | 1 | |
| 44 | 0027104020 | MACHINE SCREW | 2 | |
| 44A | OEMAA8 | SELF-LOCKING NUT..... | 2 | REPLACES P/N 0207004000 |
| 45 | 0601830710 | PANEL LIGHT SWITCH | 1 | |
| 46 | Y0602202653 | CONTROLLER (ECU-750)..... | 1 | S/N 8730225 AND BELOW |
| 46 | Y0602203045 | CONTROLLER (ECU-754)..... | 1 | S/N 8730226 ~ 8730268 |
| 46 | Y0602203074 | CONTROLLER (ECU-754)..... | 1 | S/N 8730269 ~ 8730370 |
| 46 | Y0602203084 | CONTROLLER (ECU-755)..... | 1 | S/N 8730371 AND ABOVE |
| 47 | Y0206707000 | HEX. NUT | 4 | |
| 47A | Y0044807000 | WASHER, LOCK | 4 | |

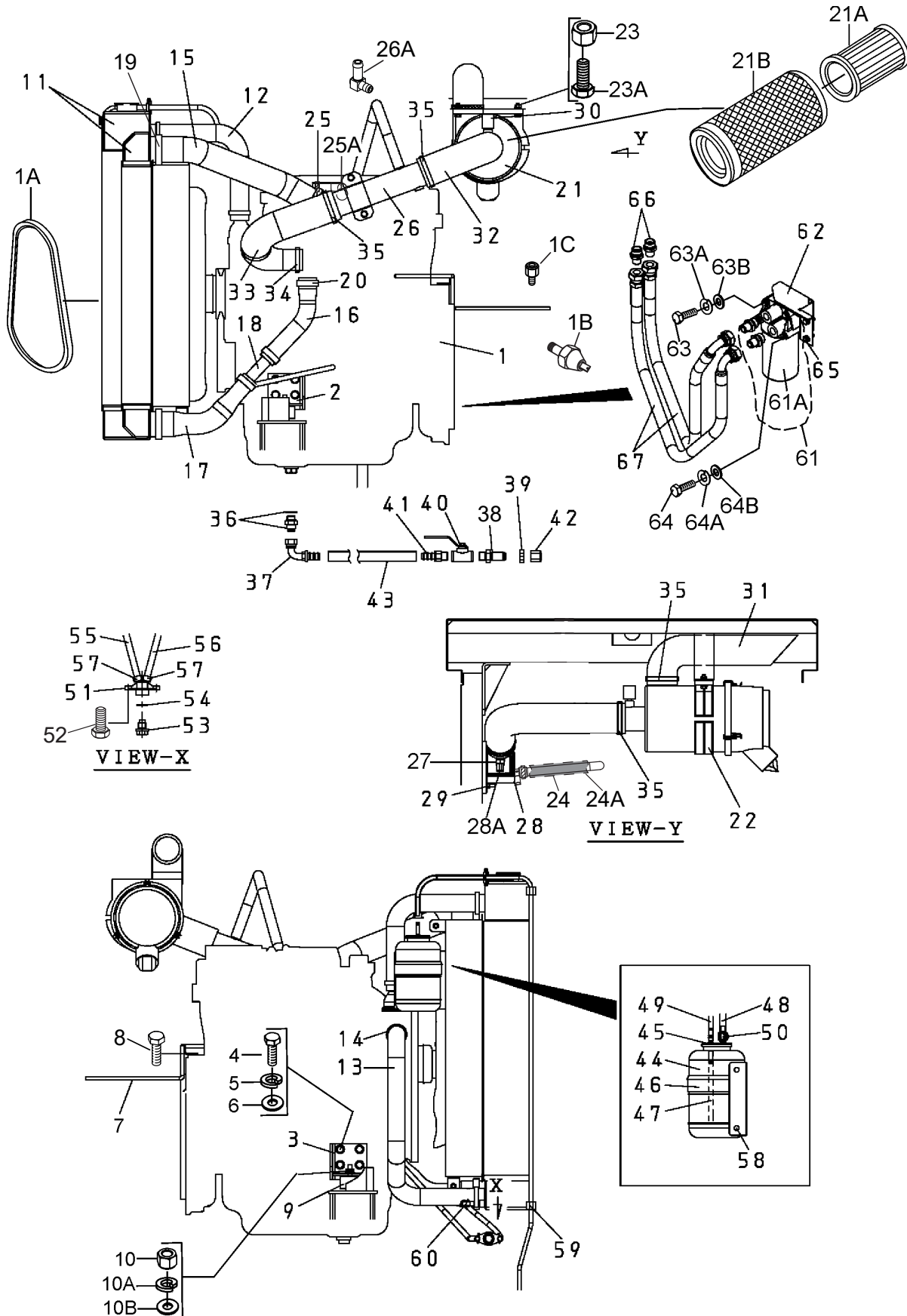
CONTROL PANEL ASSY. (CONT'D.)



CONTROL PANEL ASSY. (CONT'D.)

| <u>NO.</u> | <u>PART NO.</u> | <u>PART NAME</u> | <u>QTY.</u> | <u>REMARKS</u> |
|------------|-----------------|-----------------------------------|-------------|-----------------------|
| 48 | M1224100104 | STOPPER | 1 | |
| 49 | 0027105015 | MACHINE SCREW | 2 | |
| 52 | M1224000203 | CONTROL PANEL | 1 | |
| 53 | 0027105010 | MACHINE SCREW | 4 | |
| 67 | M1247702104 | WIRE HARNESS, GENERATOR | 1 | S/N 8730225 AND BELOW |
| 67 | V1247702114 | WIRE HARNESS, GENERATOR | 1 | S/N 8730226 AND ABOVE |
| 68 | M1358201702 | WIRE HARNESS, GENERATOR | 1 | S/N 8730370 AND BELOW |
| 68 | M1358201712 | WIRE HARNESS, GENERATOR | 1 | S/N 8730371 AND ABOVE |
| 69 | M1358200302 | WIRE HARNESS, CONTROLLER | 1 | S/N 8730353 AND BELOW |
| 69 | M1358200312 | WIRE HARNESS, CONTROLLER | 1 | S/N 8730354 AND ABOVE |
| 70 | M1358202204 | WIRE HARNESS, PRESSURE SWITCH.... | 1 | S/N 8730226 ~ 8730370 |
| 71 | Y0602044311 | WIRE HARNESS, PCV HEATER..... | 1 | S/N 8730226 AND ABOVE |

ENGINE AND RADIATOR ASSY.



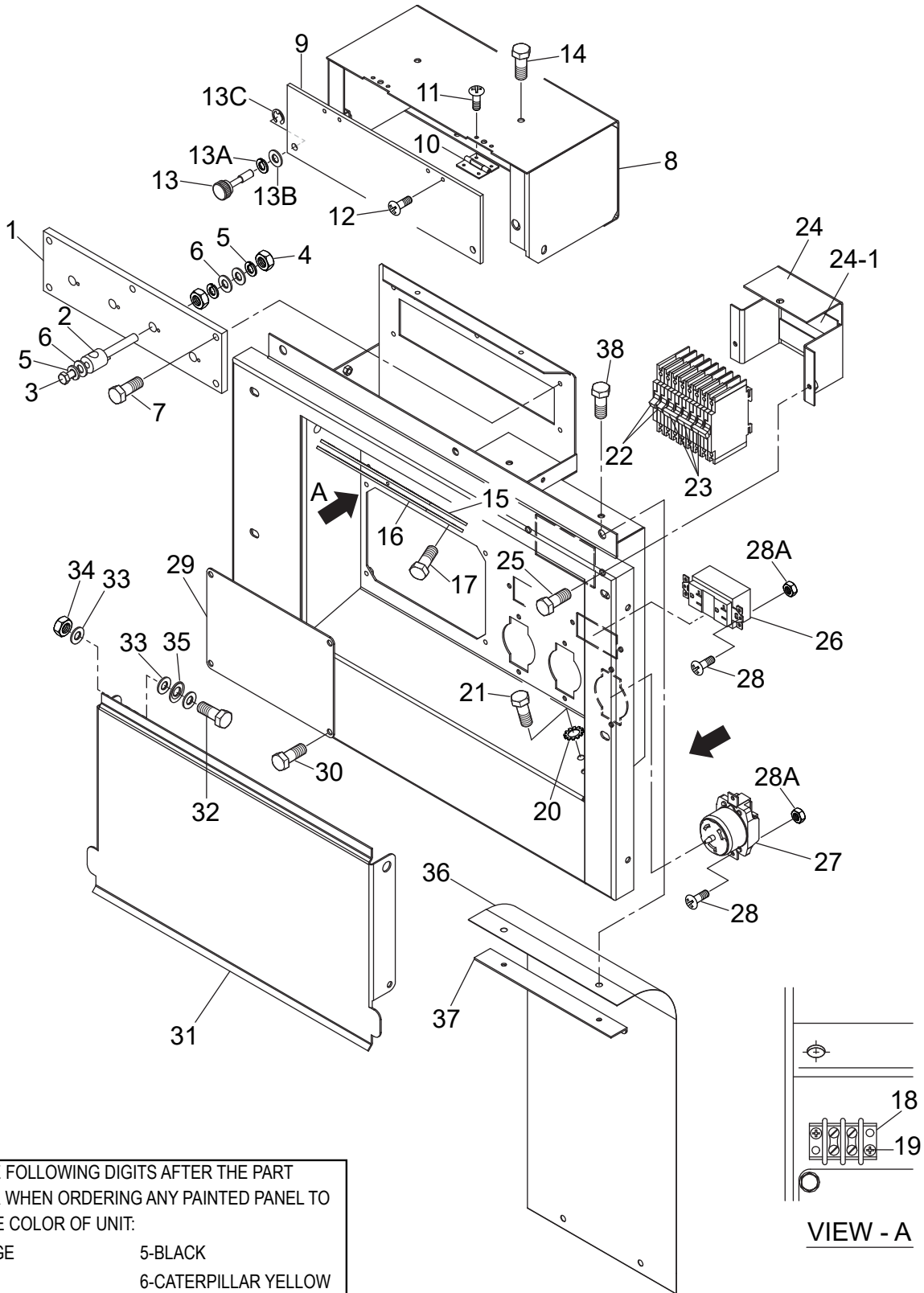
ENGINE AND RADIATOR ASSY.

| <u>NO.</u> | <u>PART NO.</u> | <u>PART NAME</u> | <u>QTY.</u> | <u>REMARKS</u> |
|------------|-----------------|------------------------------------|-------------|---|
| 1 | M1924200084 | ENGINE, ISUZU 4LE2X | 1 | |
| 1A | 8980490340 | V-BELT | 1 | |
| 1B | 8983193760 | PRESSURE SWITCH | 1 | REPLACES P/N Y0602210060 S/N 8730226 AND ABOVE |
| 1C | Y0602211629 | ADAPTER | 1 | S/N 8730226 AND ABOVE |
| 2 | M1304200004 | ENGINE FOOT | 1 | |
| 3 | M1304200104 | ENGINE FOOT | 1 | |
| 4 | 0105091025 | HEX. HEAD BOLT | 8 | REPLACES P/N 0010310025 |
| 5 | 0040010000 | WASHER, LOCK | 8 | |
| 6 | 031110160 | WASHER, FLAT | 8 | REPLACES P/N 0041210000 |
| 7 | M1358300403 | CLAMPER ROD | 1 | |
| 8 | 012210020 | HEX. HEAD BOLT | 2 | REPLACES P/N 0017110020 |
| 9 | Y0605000407 | RUBBER SUSPENSION | 2 | |
| 10 | 0030012000 | HEX. NUT | 2 | |
| 10A | 0040012000 | WASHER, LOCK | 2 | |
| 10B | 031112230 | WASHER, FLAT | 2 | REPLACES P/N 0041212000 |
| 11 | Y0602012904 | RADIATOR AND INTER-COOLER | 1 | |
| 12 | M1311500603 | RADIATOR HOSE, UPPER | 1 | |
| 13 | M1311500703 | RADIATOR HOSE, LOWER | 1 | |
| 14 | 0605515149 | HOSE BAND | 4 | |
| 15 | M1311500803 | INTER-COOLER HOSE UPPER | 1 | |
| 16 | M1311500903 | INTER-COOLER HOSE, MIDDLE | 1 | |
| 17 | M1311501003 | INTER-COOLER HOSE, LOWER | 1 | |
| 18 | M1311400004 | INTER-COOLER PIPE | 1 | |
| 19 | Y0605515300 | HOSE BAND | 3 | |
| 20 | Y0605515264 | HOSE BAND | 3 | |
| 21 | Y0602046590 | AIR CLEANER | 1 | INCLUDES ITEMS W/# |
| 21A# | PMAF25436 | AIR FILTER PRIMARY | 1 | |
| 21B# | P822769 | ELEMENT, AIR SECONDARY | 1 | |
| 22 | Y0602040553 | AIR CLEANER BAND | 1 | |
| 23 | 011208030 | HEX. HEAD BOLT | 2 | REPLACES P/N 0016908030 |
| 23A | 020108060 | SELF-LOCKING-NUT | 2 | REPLACES P/N 0207008000 |
| 24 | 0269200640 | PUSH-LOCK-HOSE | 1 | S/N 8730225 AND BELOW |
| 24 | M1327200104 | BLOW-BY HOSE..... | 1 | S/N 8730226 AND ABOVE |
| 24A | Y0378100170 | AEROFLEX TUBE..... | 1 | S/N 8730226 AND ABOVE |
| 25 | 0605515198 | HOSE BAND | 2 | S/N 8730225 AND BELOW |
| 25 | 0605515198 | HOSE BAND | 1 | S/N 8730226 AND ABOVE |
| 25A | Y0605515321 | HOSE BAND | 1 | S/N 8730226 AND ABOVE |
| 26 | M1374000104 | AIR CLEANER PIPE | 1 | S/N 8730225 AND BELOW |
| 26 | M1374000113 | AIR CLEANER PIPE | 1 | S/N 8730226 AND ABOVE |
| 26A | 8981924670 | PCV HEATER..... | 1 | REPLACES P/N Y0602044300 S/N 8730226 AND ABOVE |
| 27 | 8121468300 | INLET AIR TEMPERATURE SENSOR | 1 | REPLACES P/N 0603210240 |
| 28 | M1374200204 | BRACKET, AIR CLEANER PIPE..... | 1 | S/N 8730225 AND BELOW |
| 28 | M1374200214 | BRACKET, AIR CLEANER PIPE..... | 1 | S/N 8730226 AND ABOVE |
| 28A | Y0222100060 | RUBBER SEAL | 1 | |

ENGINE AND RADIATOR ASSY. (CONT'D.)

| <u>NO.</u> | <u>PART NO.</u> | <u>PART NAME</u> | <u>QTY.</u> | <u>REMARKS</u> |
|------------|-----------------|------------------------|-------------|--------------------------|
| 29 | 011008020 | HEX. HEAD BOLT | 2 | REPLACES P/N 0016908020 |
| 30 | 0602040651 | INDICATOR, AIR CLEANER | 1 | |
| 31 | M1374100703 | AIR CLEANER HOSE | 1 | |
| 32 | M1374100503 | AIR CLEANER HOSE | 1 | |
| 33 | M1374100603 | AIR CLEANER HOSE | 1 | |
| 34 | 0605515147 | HOSE BAND | 1 | |
| 35 | 9500202080 | HOSE BAND | 4 | REPLACES P/N 0605515178 |
| 36 | 0602022581 | ADAPTER | 1 | |
| 37 | 0602022561 | 90° ELBOW..... | 1 | S/N 8730258 AND BELOW |
| 38 | 0603306590 | CONNECTOR | 1 | |
| 39 | 0603300285 | LOCKNUT | 1 | |
| 40 | 0605511395 | VALVE | 1 | |
| 41 | 0603306395 | HOSE JOINT..... | 1 | S/N 8730258 AND BELOW |
| 42 | 0602021070 | CAP | 1 | |
| 43 | Y0269200490 | DRAIN HOSE | 1 | S/N 8730258 AND BELOW |
| 43 | M1321100304 | DRAIN HOSE | 1 | S/N 8730259 AND ABOVE |
| 44 | 0845031303 | RESERVE TANK..... | 1 | REPLACES P/N M9300000103 |
| 45 | 0802081104 | CAP, RESERVE TANK..... | 1 | REPLACES P/N M9300100003 |
| 46 | M2316100304 | BRACKET, RESERVE TANK | 1 | |
| 47 | 0193600165 | HOSE | 1 | |
| 48 | 0199900450 | OVER FLOW HOSE | 1 | |
| 49 | 0193601500 | OVER FLOW HOSE | 1 | |
| 50 | 0605515189 | HOSE BAND | 2 | |
| 51 | 1622014103 | DRAIN JOINT..... | 1 | REPLACES P/N M9602000003 |
| 52 | 011206020 | HEX. HEAD BOLT..... | 2 | REPLACES P/N 0016906020 |
| 53 | 0802011104 | DRAIN BOLT | 1 | REPLACES P/N M9200200004 |
| 54 | 0150000018 | O-RING | 1 | |
| 55 | Y0199900440 | DRAIN HOSE | 1 | |
| 56 | Y0199901310 | DRAIN HOSE | 1 | |
| 57 | 0605515189 | HOSE BAND | 4 | |
| 58 | 011008020 | HEX. HEAD BOLT..... | 2 | REPLACES P/N 0016908020 |
| 59 | 0602220911 | CLAMP | 2 | |
| 60 | Y0605512183 | HOSE JOINT | 1 | |
| 61 | 8980756710 | OIL FILTER ASSY..... | 1 | INCLUDES ITEMS W/\$ |
| 61A\$ | 8980756761 | OIL FILTER | 1 | |
| 62 | M1324400004 | BRACKET, OIL FILTER | 1 | |
| 63 | Y0010108090 | HEX. HEAD BOLT | 2 | |
| 63A | 0040008000 | WASHER, LOCK | 2 | |
| 63B | 0401450080 | WASHER, FLAT | 2 | REPLACES P/N 0041208000 |
| 64 | Y0010108110 | HEX. HEAD BOLT | 2 | |
| 64A | 0040008000 | WASHER, LOCK | 2 | |
| 64B | 0401450080 | WASHER, FLAT | 2 | REPLACES P/N 0041208000 |
| 65 | 011208025 | HEX. HEAD BOLT..... | 2 | REPLACES P/N 0016908025 |
| 66 | Y0602022534 | STRAIGHT ADAPTER | 4 | |
| 67 | M1324300004 | OIL FILTER HOSE | 2 | |

OUTPUT TERMINAL ASSY.



ADD THE FOLLOWING DIGITS AFTER THE PART NUMBER WHEN ORDERING ANY PAINTED PANEL TO INDICATE COLOR OF UNIT:

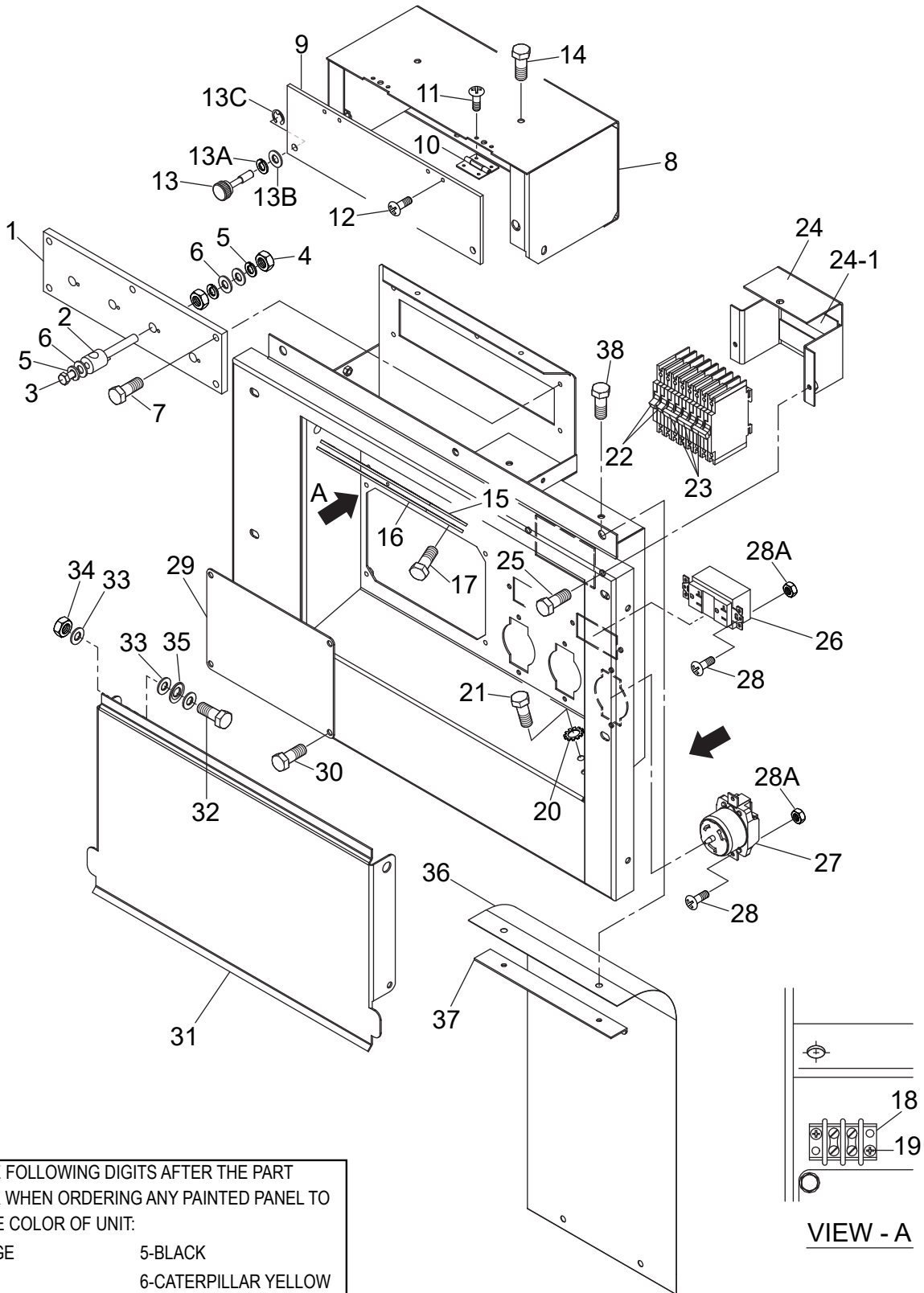
- | | |
|-----------------|----------------------|
| 1-ORANGE | 5-BLACK |
| 2-WHITE | 6-CATERPILLAR YELLOW |
| 3-SPECTRUM GREY | 7-CATO GOLD |
| 4-SUNBELT GREEN | 8-RED |

THE SERIAL NUMBER MAY BE REQUIRED.

OUTPUT TERMINAL ASSY.

| <u>NO.</u> | <u>PART NO.</u> | <u>PART NAME</u> | <u>QTY.</u> | <u>REMARKS</u> |
|------------|-----------------|--------------------------------|-------------|--|
| 1 | M1230700303 | TERMINAL PANEL | 1 | |
| 2 | M2233000004 | OUTPUT TERMINAL BOLT | 4 | |
| 3 | M2233100004 | TIE BOLT | 4 | |
| 4 | 0039312000 | HEX. NUT | 8 | |
| 5 | 0040012000 | WASHER, LOCK | 12 | |
| 6 | 0041412000 | WASHER, FLAT | 16 | |
| 7 | 011208030 | HEX. HEAD BOLT | 5 | REPLACES P/N 0017108030 |
| 8 | M1237100303 | 3-PHASE OUTPUT TERMINAL COVER | 1 | |
| 9 | M1236100704 | OUTPUT WINDOW | 1 | |
| 10 | 0605010040 | HINGE | 2 | |
| 11 | 0027103010 | MACHINE SCREW | 4 | |
| 11A | 0207003000 | HEX. NUT | 4 | REPLACES P/N 0030003000 |
| 11B | 0041203000 | WASHER, FLAT | 4 | |
| 12 | 0027103010 | MACHINE SCREW | 4 | |
| 12A | 0207003000 | HEX. NUT | 4 | REPLACES P/N 0030003000 |
| 13 | M9220100804 | SET SCREW | 2 | |
| 13A | 0040006000 | WASHER, LOCK | 2 | |
| 13B | 952404470 | WASHER, FLAT | 2 | REPLACES P/N 0041206000 |
| 13C | 0080200005 | E-SNAP RING | 2 | |
| 14 | 011106015 | HEX. HEAD BOLT | 4 | REPLACES P/N 0016906015 |
| 15 | M1236400004 | CABLE OUTLET COVER | 1 | |
| 16 | M1236300004 | SUPPORTER, CABLE OUTLET COVER | 1 | |
| 17 | 011206020 | HEX. HEAD BOLT | 6 | REPLACES P/N 0016906020 |
| 18 | Y0601816539 | TERMINAL BLOCK, 601-GP-02..... | 1 | REPLACES P/N 0601815194 S/N 8730333 AND BELOW |
| 18 | Y0601816539 | TERMINAL BLOCK, TB200-02 | | S/N 8730344 ~ 8730353 |
| 18 | 0601815870 | TERMINAL BLOCK, KT-20-2P | 1 | S/N 8730334 ~ 8730343 S/N 8730354 AND ABOVE |
| 19 | 0027104020 | MACHINE SCREW | 2 | |
| 20 | 0040508000 | TOOTHED WASHER | 1 | |
| 21 | 0019208020 | HEX. HEAD BOLT | 1 | |
| 22 | 0601870440 | CIRCUIT BREAKER 1P 20A..... | 2 | S/N 8730135 AND BELOW |
| 22 | 0601808803 | CIRCUIT BREAKER 1P 20A..... | 2 | S/N 8730136 AND ABOVE |
| 23 | 0601870441 | CIRCUIT BREAKER 2P 50A..... | 3 | S/N 8730135 AND BELOW |
| 23 | 0601808804 | CIRCUIT BREAKER 2P 50A..... | 3 | S/N 8730136 AND ABOVE |
| 24 | M1260700504 | BREAKER FITTING COVER | 1 | S/N 8730135 AND BELOW |
| 24 | M1260700304 | BREAKER FITTING COVER | 1 | S/N 8730136 AND ABOVE |
| 24-1 | 0222100100 | CUSHION RUBBER..... | 2 | S/N 8730135 AND BELOW |
| 24-1 | 0222100150 | CUSHION RUBBER..... | 2 | S/N 8730136 AND ABOVE |
| 25 | 011206020 | HEX. HEAD BOLT | 2 | REPLACES P/N 0016906020 |
| 26 | Y0601814034 | RECEPTACLE, 125V 20A, GFWR2-E | 2 | |
| 27 | Y0601814014 | RECEPTACLE, 250V 50A | 3 | |
| 28 | 7538070 | MACHINE SCREW | 10 | REPLACES P/N 0027104015 |
| 28A | OEMAA8 | HEX. NUT..... | 10 | REPLACES P/N 0207004000 |
| 29 | M1236400104 | COVER | 1 | |

OUTPUT TERMINAL ASSY. (CONT'D.)



ADD THE FOLLOWING DIGITS AFTER THE PART NUMBER WHEN ORDERING ANY PAINTED PANEL TO INDICATE COLOR OF UNIT:

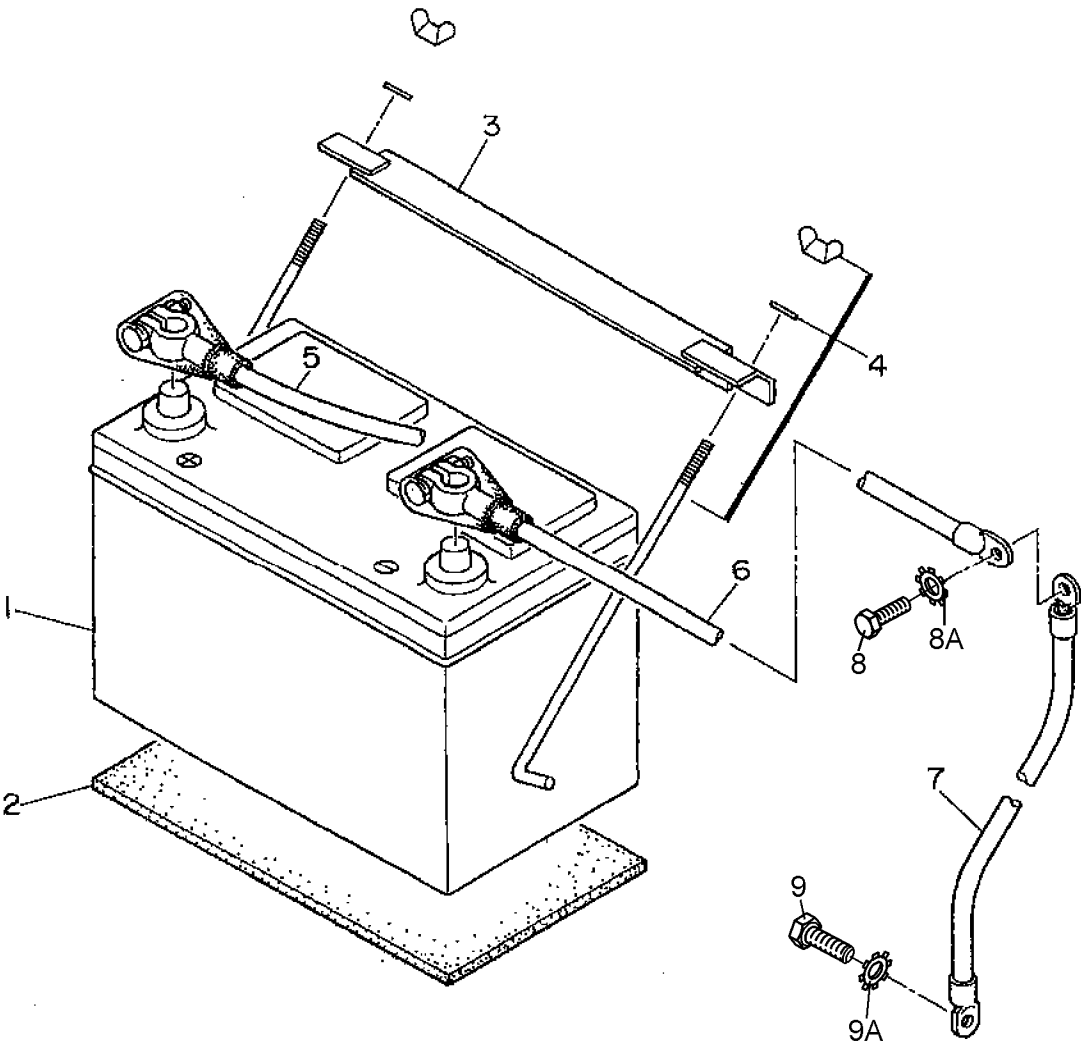
- | | |
|-----------------|----------------------|
| 1-ORANGE | 5-BLACK |
| 2-WHITE | 6-CATERPILLAR YELLOW |
| 3-SPECTRUM GREY | 7-CATO GOLD |
| 4-SUNBELT GREEN | 8-RED |

THE SERIAL NUMBER MAY BE REQUIRED.

OUTPUT TERMINAL ASSY. (CONT'D.)

| <u>NO.</u> | <u>PART NO.</u> | <u>PART NAME</u> | <u>QTY.</u> | <u>REMARKS</u> |
|------------|-----------------|----------------------|-------------|-------------------------|
| 30 | 011106015 | HEX. HEAD BOLT | 4 | REPLACES P/N 0016906015 |
| 31 | M1237100203 | TERMINAL COVER | 1 | |
| 32 | 012212045 | HEX. HEAD BOLT | 2 | REPLACES P/N 0010112045 |
| 33 | 031112230 | WASHER, FLAT | 6 | REPLACES P/N 0041212000 |
| 34 | 0030012000 | HEX. NUT | 2 | |
| 35 | 0605050060 | CONICAL LOCK WASHER | 2 | |
| 36 | M1237101204 | INSULATING COVER | 1 | |
| 37 | M1236400304 | SUPPORTER | 1 | |
| 38 | 0016906015 | HEX. HEAD BOLT | 2 | |

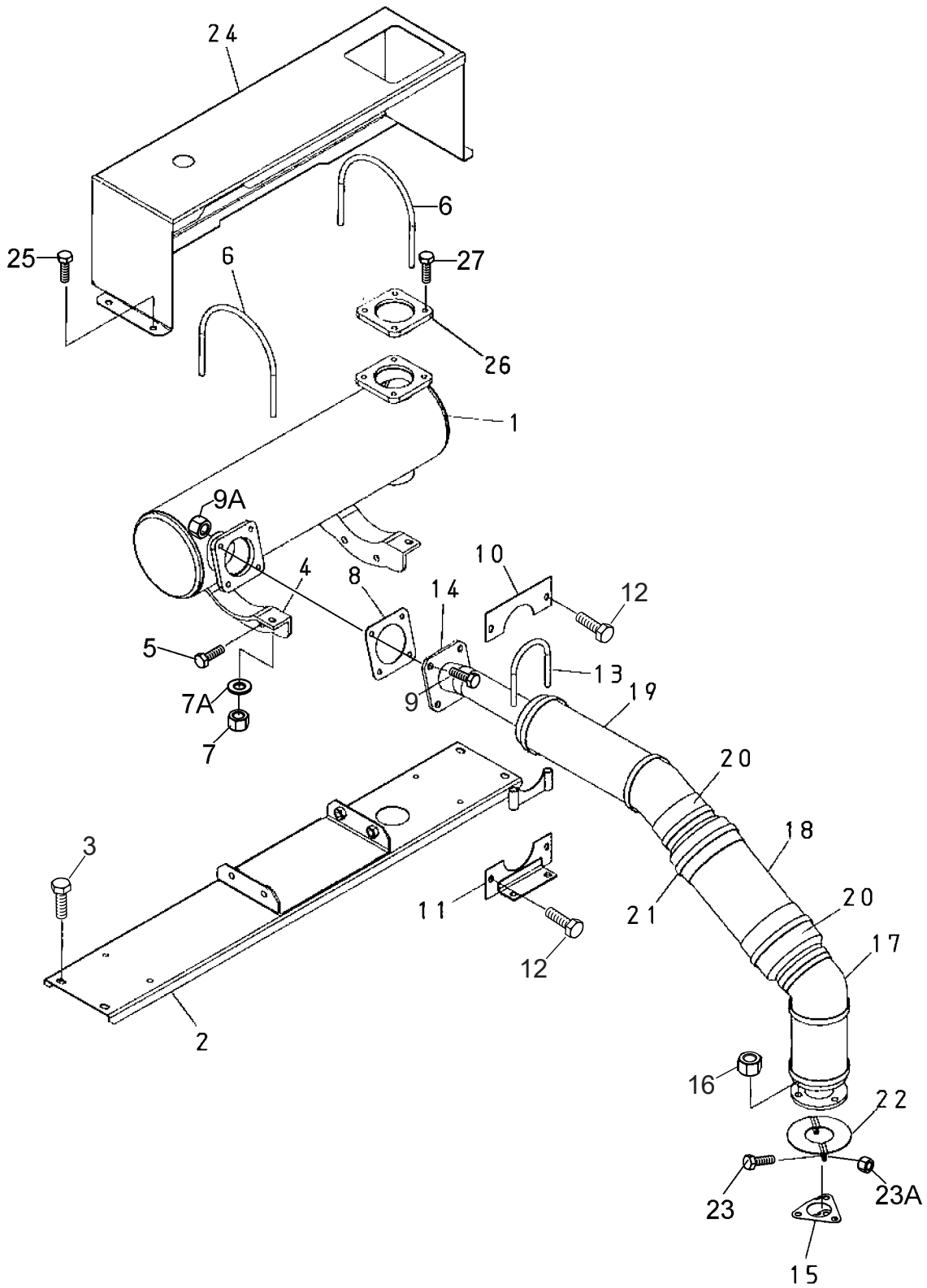
BATTERY ASSY.



BATTERY ASSY.

| <u>NO.</u> | <u>PART NO.</u> | <u>PART NAME</u> | <u>QTY.</u> | <u>REMARKS</u> |
|------------|-----------------|---------------------|-------------|-------------------------|
| 1 | 0602220199 | BATTERY | 1 | |
| 2 | M9310500014 | BATTERY SHEET | 1 | |
| 3 | M9103000304 | BATTERY BAND | 1 | |
| 4 | 0602220920 | BATTERY BOLT SET | 2 | |
| 5 | M2346900204 | BATTERY CABLE | 1 | |
| 6 | M2346900304 | BATTERY CABLE | 1 | |
| 7 | | CABLE..... | 1 | PURCHASE LOCALLY |
| 8 | 0017112025 | HEX. HEAD BOLT | 1 | |
| 8A | 0040512000 | TOOTHED WASHER | 1 | |
| 9 | 011208025 | HEX. HEAD BOLT..... | 1 | REPLACES P/N 0016908025 |
| 9A | 0040508000 | TOOTHED WASHER | 1 | |

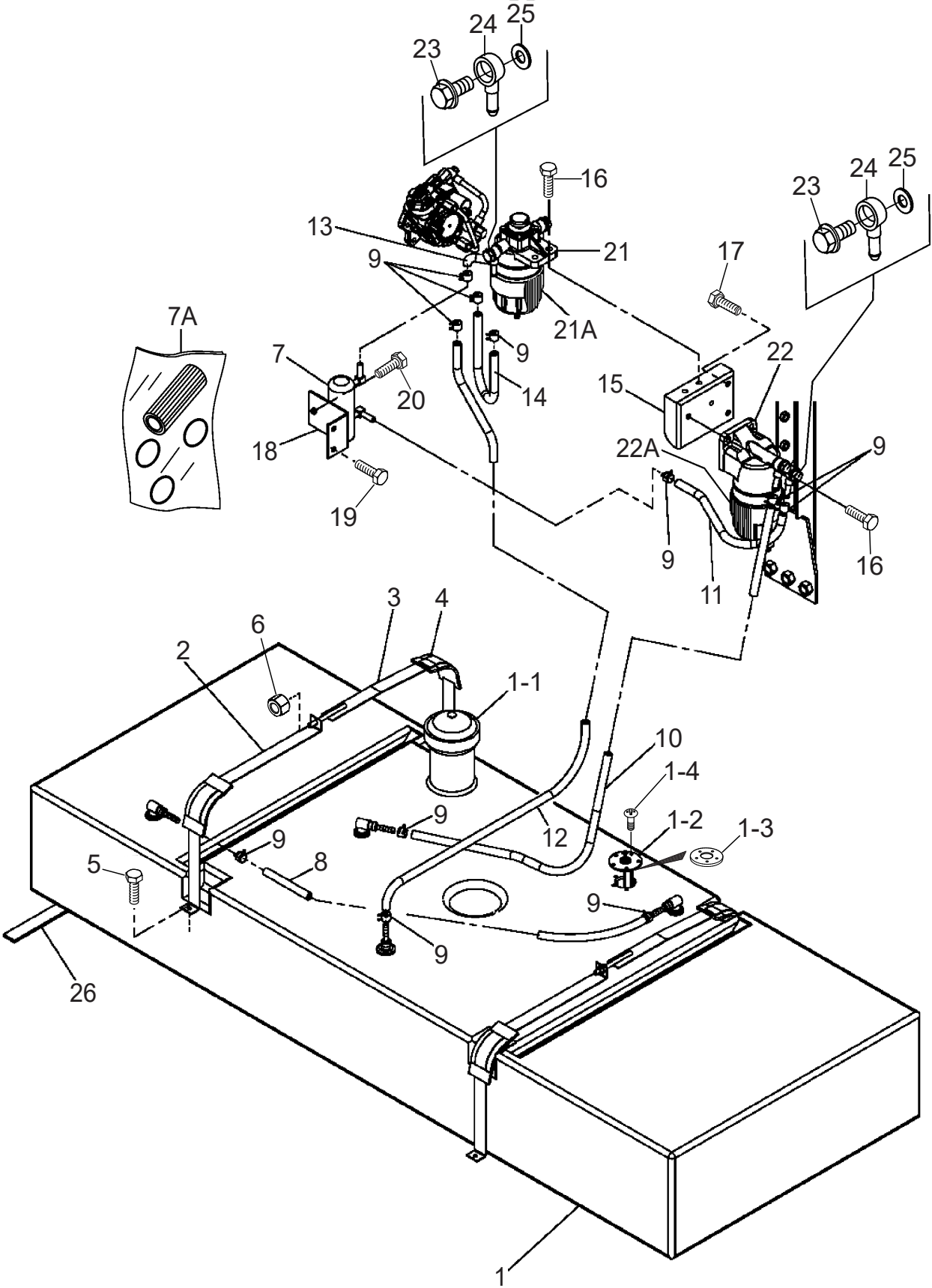
MUFFLER ASSY.



MUFFLER ASSY.

| <u>NO.</u> | <u>PART NO.</u> | <u>PART NAME</u> | <u>QTY.</u> | <u>REMARKS</u> |
|------------|-----------------|-------------------------|-------------|--------------------------|
| 1 | 8982353890 | DOC | 1 | REPLACES P/N Y0602330111 |
| 2 | M1331400403 | DOC BRACKET | 1 | |
| 3 | 011008020 | HEX. HEAD BOLT | 4 | REPLACES P/N 0016908020 |
| 4 | 8982284330 | DOC SUPPORT | 2 | REPLACES P/N Y0602330210 |
| 5 | 012010030 | HEX. HEAD BOLT | 4 | REPLACES P/N 0017110030 |
| 6 | 8982103230 | U-BOLT..... | 2 | REPLACES P/N Y0602322091 |
| 7 | 020108060 | SELF-LOCKING NUT..... | 4 | REPLACES P/N 0037908000 |
| 7A | 0401450080 | WASHER, FLAT | 4 | REPLACES P/N 0041208000 |
| 8 | 8973731080 | GASKET..... | 1 | REPLACES P/N Y0602320212 |
| 9 | 8980435280 | HEX. HEAD BOLT | 4 | REPLACES P/N Y0602322090 |
| 9A | 8971616070 | HEX. NUT..... | 4 | REPLACES P/N Y0602323007 |
| 10 | M1331400204 | COVER, EXHAUST PIPE | 1 | |
| 11 | M1331400304 | BRACKET, EXHAUST PIPE | 1 | |
| 12 | 011106015 | HEX. HEAD BOLT | 4 | REPLACES P/N 0016906015 |
| 13 | Y0602326066 | U BOLT | 1 | |
| 14 | M1334000803 | EXHAUST PIPE | 1 | |
| 15 | 8973679180 | GASKET..... | 1 | REPLACES P/N Y0602320211 |
| 16 | 0207108000 | SELF-LOCKING NUT | 3 | |
| 17 | M1331400604 | EXHAUST HEAT SHIELD (A) | 1 | |
| 18 | M1331400704 | EXHAUST HEAT SHIELD (B) | 1 | |
| 19 | M1331400804 | EXHAUST HEAT SHIELD (C) | 1 | |
| 20 | Y0272100370 | HEAT SHIELD TAPE | 2 | |
| 21 | Y0602325051 | METAL CABLE TIE | 8 | |
| 22 | M1334300404 | HEAT SHIELD STOPPER | 2 | |
| 23 | 0019206015 | HEX. HEAD BOLT | 2 | |
| 23A | 0176060030 | SELF-LOCKING NUT..... | 2 | REPLACES P/N 0207006000 |
| 24 | M1331300004 | DOC COVER | 1 | |
| 25 | 011008020 | HEX. HEAD BOLT | 4 | REPLACES P/N 0016908020 |
| 26 | M1334300504 | FLANGE..... | 1 | S/N 8730131 AND ABOVE |
| 27 | Y0016908020 | HEX. HEAD BOLT | 4 | S/N 8730131 AND ABOVE |

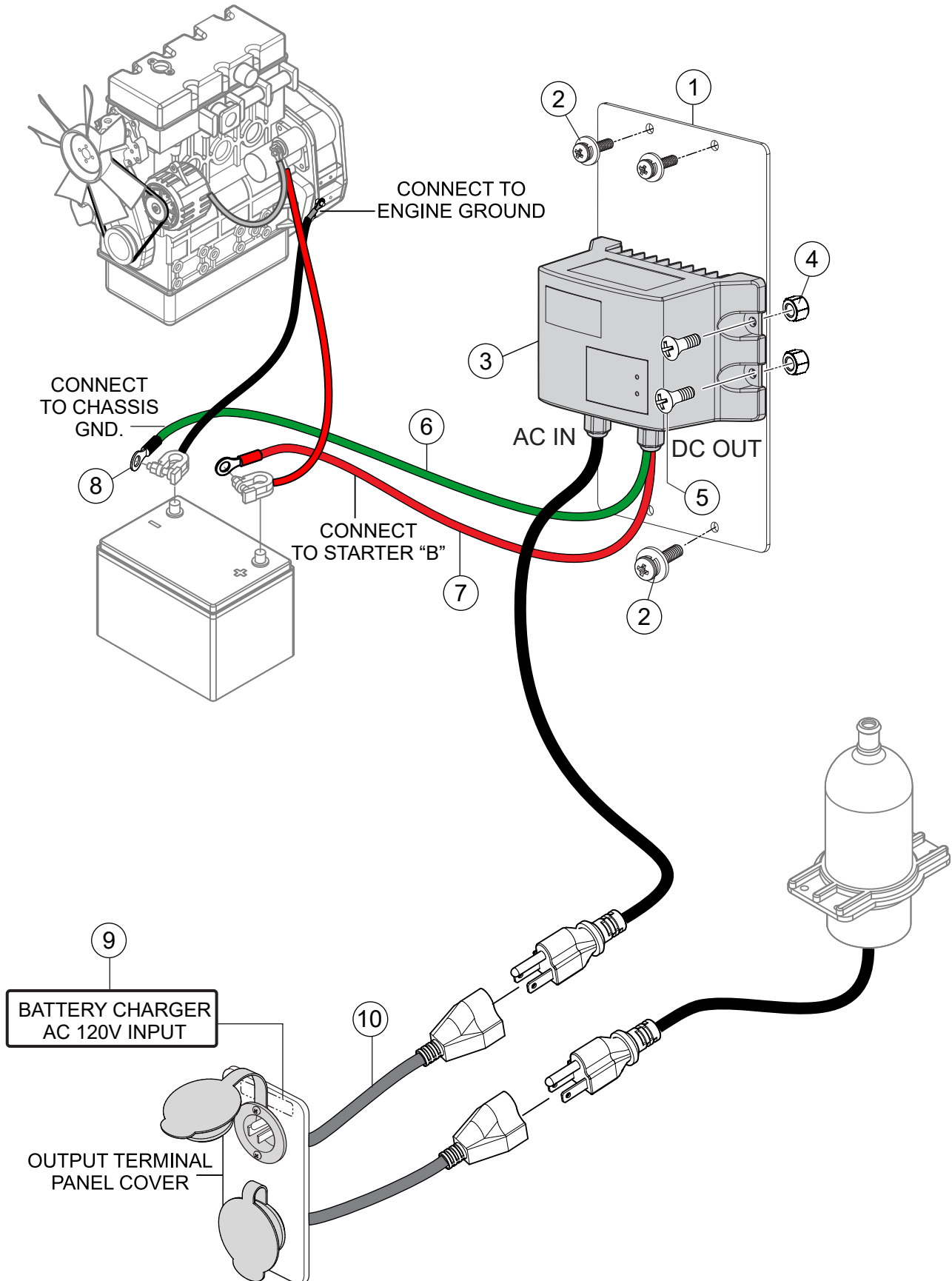
FUEL TANK ASSY.



FUEL TANK ASSY.

| <u>NO.</u> | <u>PART NO.</u> | <u>PART NAME</u> | <u>QTY.</u> | <u>REMARKS</u> |
|------------|-----------------|-----------------------------|-------------|--------------------------|
| 1 | M1364000202 | FUEL TANK | 1 | INCLUDES ITEMS W/# |
| 1-1# | 0605505070 | FUEL TANK CAP | 1 | |
| 1-2# | Y0605501056 | FUEL SENDER UNIT | 1 | S/N 8730365 AND BELOW |
| 1-2# | Y0605501046 | FUEL SENDER UNIT | 1 | S/N 8730366 AND ABOVE |
| 1-3# | Y0605516090 | GASKET | 1 | S/N 8730365 AND BELOW |
| 1-3# | Y0605516092 | GASKET | 1 | S/N 8730366 AND ABOVE |
| 1-4# | Y0605553020 | MACHINE SCREW | 5 | S/N 8730365 AND BELOW |
| 1-4# | Y0605553040 | MACHINE SCREW | 5 | S/N 8730366 AND ABOVE |
| 2 | M1364200004 | TANK BAND | 2 | |
| 3 | M1363200404 | TANK BAND | 2 | |
| 4 | M9310500104 | SUPPORTER SHEET | 4 | |
| 5 | 011008020 | HEX. HEAD BOLT | 4 | REPLACES P/N 0016908020 |
| 6 | Y0207008000 | SELF-LOCKING NUT | 4 | |
| 7 | 8980682750 | FUEL FEED PUMP | 1 | REPLACES P/N 0602023240 |
| 7A | 8981731650 | KIT, FEED PUMP, FILTER | 1 | |
| 8 | 0191301150 | VENT HOSE | 1 | |
| 9 | 0605515189 | HOSE BAND | 12 | S/N 8730365 AND BELOW |
| 9 | Y0605515361 | HOSE CLIP | 12 | S/N 8730366 AND ABOVE |
| 10 | 0191300950 | SUCTION HOSE | 1 | |
| 11 | 0191300550 | SUCTION HOSE | 1 | |
| 12 | 0191301100 | RETURN HOSE | 1 | |
| 13 | Y0191300260 | SUCTION HOSE | 1 | |
| 14 | 0191300530 | SUCTION HOSE | 1 | |
| 15 | M1484500204 | FUEL FILTER BRACKET | 1 | |
| 16 | 012210035 | HEX. HEAD BOLT | 4 | REPLACES P/N 0017110035 |
| 17 | 0016910030 | HEX. HEAD BOLT | 2 | |
| 18 | M1366700304 | FUEL PUMP BRACKET | 1 | |
| 19 | 011008020 | HEX. HEAD BOLT | 2 | REPLACES P/N 0016908020 |
| 20 | 011606025 | HEX. HEAD BOLT | 2 | REPLACES P/N 0016906025 |
| 21 | 8982369900 | FUEL FILTER (MAIN)..... | 1 | REPLACES P/N 0602042428 |
| 21A | 8982402800 | ELEMENT, FUEL FILTER (MAIN) | 1 | |
| 22 | 8982369910 | FUEL FILTER (PRE) | 1 | REPLACES P/N 0602042429 |
| 22A | 8982402790 | ELEMENT, FUEL FILTER (PRE) | 1 | |
| 23 | 1096751930 | EYE BOLT | 4 | REPLACES P/N Y0602042624 |
| 24 | 8981263320 | JOINT PIPE | 4 | REPLACES P/N Y0602042623 |
| 25 | 1096300850 | PACKING | 8 | REPLACES P/N Y0602021700 |
| 26 | 0222100700 | RUBBER SEAL | 5 | |

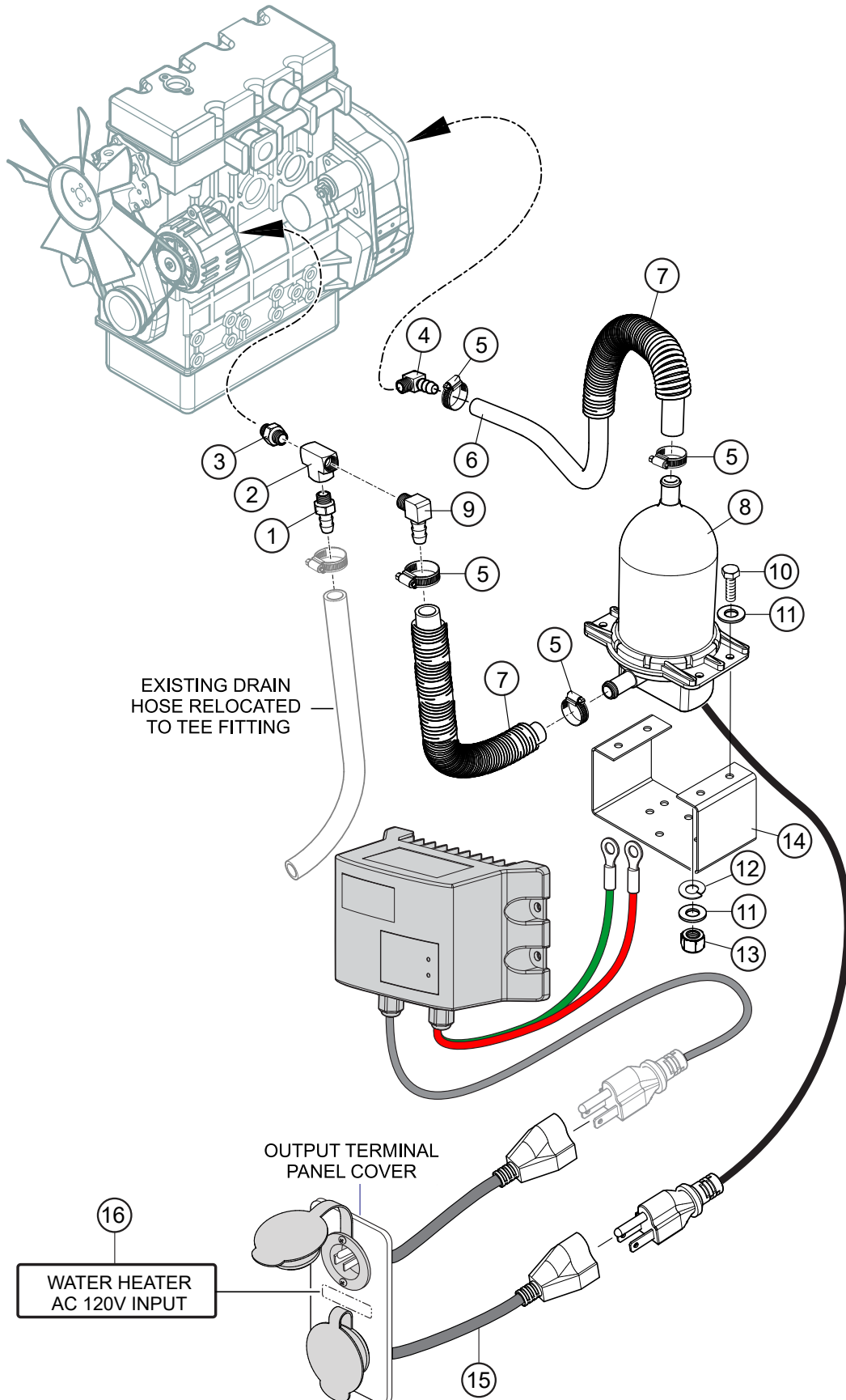
BATTERY CHARGER ASSY.



BATTERY CHARGER ASSY.

| <u>NO.</u> | <u>PART NO.</u> | <u>PART NAME</u> | <u>QTY.</u> | <u>REMARKS</u> |
|------------|-----------------|-------------------------------------|-------------|----------------|
| 1 | EE62021 | MOUNTING PLATE, BATTERY | 1 | |
| 2 | | SCREW, PAN HD. M4 X 12MM | 4 | OBTAIN LOCALLY |
| 3 | EE62075 | BATTERY, CHARGER, 12V, 6A | 1 | |
| 4 | | HEX. NUT 10-32 | 4 | OBTAIN LOCALLY |
| 5 | | SCREW, FLAT HEAD 10-32 X 1/2" | 4 | OBTAIN LOCALLY |
| 6 | | WIRE, 16GA, GREEN 9FT. | 1 | OBTAIN LOCALLY |
| 7 | | WIRE, 16GA, RED 9FT. | 1 | OBTAIN LOCALLY |
| 8 | | 1/2" RING TERMINAL, 14-16 AWG..... | 2 | OBTAIN LOCALLY |
| 9 | M1940011014Q | DECAL, BATTERY CHARGER, 120V IN | 1 | |
| 10 | EE62076 | INLET RECPT. W/ CORD | 1 | |

JACKET WATER HEATER ASSY.



JACKET WATER HEATER ASSY.

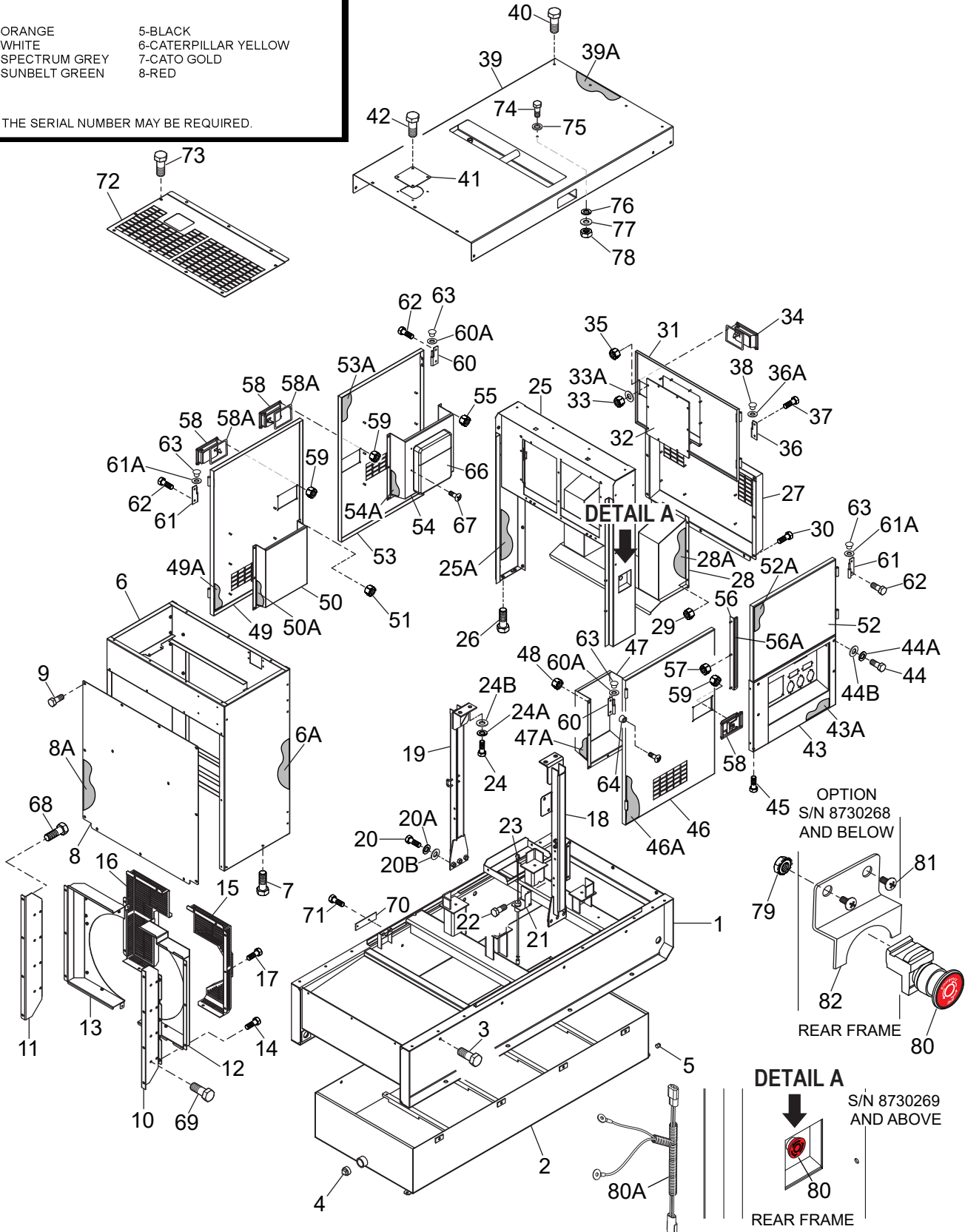
| <u>NO.</u> | <u>PART NO.</u> | <u>PART NAME</u> | <u>QTY.</u> | <u>REMARKS</u> |
|------------|-----------------|--|-------------|--------------------|
| 1 | | 1/4" MP X 5/16 HB NIPPLE..... | 1 | OBTAIN LOCALLY |
| 2 | | 1/4 X 1/4 1/4" FEMALE PIPE TEE | 1 | OBTAIN LOCALLY |
| 3 | | 1/4 X 1/4 MALE TO MALE PIPE NIPPLE.... | 1 | OBTAIN LOCALLY |
| 4 | | 3/8" MP X 5/8 HB 90° ELBOW..... | 1 | OBTAIN LOCALLY |
| 5 | | HOSE CLAMP #10 | 4 | OBTAIN LOCALLY |
| 6 | | HEATER HOSE, 5/8" ID X 30" LONG | 1 | OBTAIN LOCALLY |
| 7 | | SPLIT LOOM, 1 " X 20" | 2 | OBTAIN LOCALLY |
| 8 | EE10814 | HEATER, 1000W, 120 VAC..... | 1 | INCLUDES ITEMS W/# |
| 9 | | 1/4" MP X 5/8" HB 90° ELBOW | 1 | OBTAIN LOCALLY |
| 10# | | BOLT, 1/4"-20 X 1" | 4 | OBTAIN LOCALLY |
| 11 | | WASHER, FLAT 1" | 4 | OBTAIN LOCALLY |
| 12 | | WASHER, LOCK 1/4"..... | 6 | OBTAIN LOCALLY |
| 13 | | NUT, 1/4"..... | 4 | OBTAIN LOCALLY |
| 14# | EE1266 | BRACKET, HOT START | 1 | |
| 15 | EE62076 | INLET RECEIPT W/ CORD | 1 | |
| 16 | M1940011005Q | DECAL, WATER HEATER, 120V INPUT | 1 | |

ENCLOSURE ASSY.

ADD THE FOLLOWING DIGITS AFTER THE PART NUMBER WHEN ORDERING ANY PAINTED PANEL TO INDICATE COLOR OF UNIT:

- | | |
|-----------------|----------------------|
| 1-ORANGE | 5-BLACK |
| 2-WHITE | 6-CATERPILLAR YELLOW |
| 3-SPECTRUM GREY | 7-CATO GOLD |
| 4-SUNBELT GREEN | 8-RED |

THE SERIAL NUMBER MAY BE REQUIRED.



ENCLOSURE ASSY.

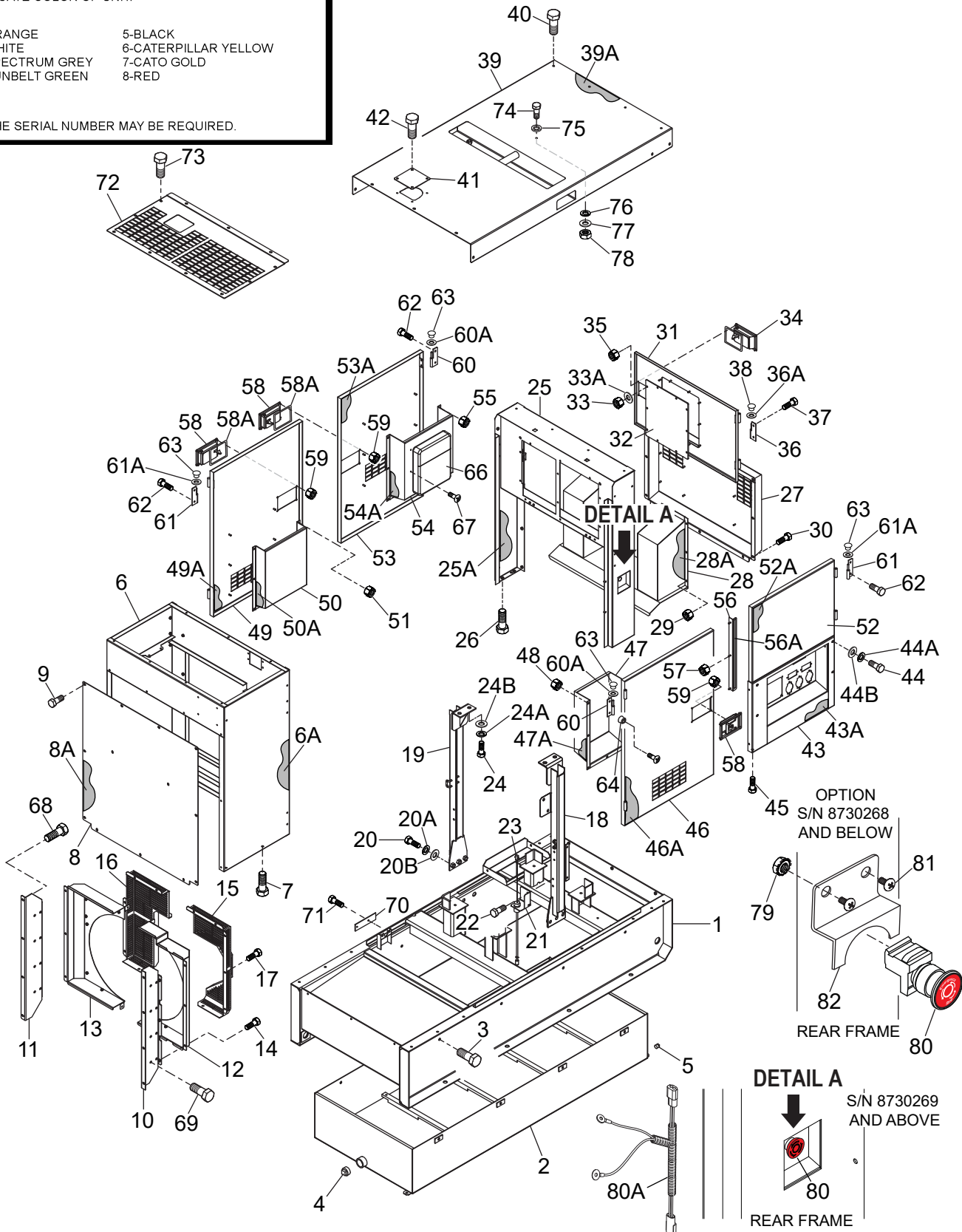
| <u>NO.</u> | <u>PART NO.</u> | <u>PART NAME</u> | <u>QTY.</u> | <u>REMARKS</u> |
|------------|-----------------|----------------------------------|-------------|-------------------------|
| 1 | M1414000602 | BASE | 1 | |
| 2 | M1414800003 | ENVIRONMENTAL TANK | 1 | |
| 3 | 0016910030 | HEX. HEAD BOLT | 8 | |
| 4 | 0603306797 | SQUARE HEAD PIPE PLUG 1-1/2" | 1 | |
| 5 | Y0603306793 | SQUARE HEAD PIPE PLUG 1/2" | 1 | S/N 8730225 AND BELOW |
| 6 | M1424000702 | FRONT FRAME | 1 | S/N 8730230 AND BELOW |
| 6 | M1424000712 | FRONT FRAME | 1 | S/N 8730231 AND ABOVE |
| 6A | M1494101903 | ACOUSTIC SHEET | 1 | |
| 7 | 011008020 | HEX. HEAD BOLT | 6 | REPLACES P/N 0016908020 |
| 8 | M1424201004 | COVER, FRONT FRAME | 1 | |
| 8A | M1494102004 | ACOUSTIC SHEET | 1 | |
| 9 | 0019208020 | HEX. HEAD BOLT | 13 | |
| 10 | M1311200604 | RADIATOR BRACKET | 1 | S/N 8730225 AND BELOW |
| 10 | M1311200614 | RADIATOR BRACKET | 1 | S/N 8730226 AND ABOVE |
| 11 | M1311200704 | RADIATOR BRACKET | 1 | |
| 12 | M1311300503 | FAN SHROUD | 1 | S/N 8730225 AND BELOW |
| 12 | M1311300513 | FAN SHROUD | 1 | S/N 8730226 AND ABOVE |
| 13 | M1311300603 | FAN SHROUD | 1 | |
| 14 | 011008020 | HEX. HEAD BOLT | 8 | REPLACES P/N 0016908020 |
| 15 | M1311300703 | FAN GUARD | 1 | |
| 16 | M1311300803 | FAN GUARD | 1 | |
| 17 | 011008020 | HEX. HEAD BOLT | 11 | REPLACES P/N 0016908020 |
| 18 | M1434000203 | CENTER FRAME | 1 | |
| 19 | M1434000303 | CENTER FRAME | 1 | |
| 20 | 0013616040 | HEX. HEAD BOLT | 6 | |
| 20A | 0040016000 | WASHER, LOCK | 6 | |
| 20B | 0041216000 | WASHER, FLAT | 6 | |
| 21 | M1414800404 | FUEL LEAK SWITCH BRACKET | 1 | |
| 22 | 011008020 | HEX. HEAD BOLT | 2 | REPLACES P/N 0016908020 |
| 23 | 0605503062 | FUEL LEAK DETECTED SWITCH | 1 | |
| 24 | Y0013616035 | HEX. HEAD BOLT | 4 | |
| 24A | 0040016000 | WASHER, LOCK | 4 | |
| 24B | 0041216000 | WASHER, FLAT | 4 | |
| 25 | M1444000302 | REAR FRAME | 1 | S/N 8730268 AND BELOW |
| 25 | M1444000312 | REAR FRAME | 1 | S/N 8730269 AND ABOVE |
| 25A | M1494301204 | ACOUSTIC SHEET | 2 | S/N 8730268 AND BELOW |
| 25A | M1494304604 | ACOUSTIC SHEET | 2 | S/N 8730269 AND ABOVE |
| 26 | 011008020 | HEX. HEAD BOLT | 4 | REPLACES P/N 0016908020 |
| 27 | M1444300603 | REAR COVER | 1 | |
| 28 | M1444800403 | DUCT, REAR COVER | 1 | |
| 28A | M1494302503 | ACOUSTIC SHEET | 1 | |
| 29 | 176060030 | SELF-LOCKING NUT | 12 | REPLACES P/N 0207006000 |
| 30 | 0019208020 | HEX. HEAD BOLT | 10 | |
| 31 | M1444200203 | REAR DOOR | 1 | |
| 32 | M1445600204 | WINDOW PLATE | 1 | |
| 33 | 020106050 | LOCK NUT | 10 | REPLACES P/N 0037906000 |
| 33A | 952404470 | WASHER, FLAT | 10 | REPLACES P/N 0041206000 |

ENCLOSURE ASSY. (CONT'D.)

ADD THE FOLLOWING DIGITS AFTER THE PART NUMBER WHEN ORDERING ANY PAINTED PANEL TO INDICATE COLOR OF UNIT:

- | | |
|-----------------|----------------------|
| 1-ORANGE | 5-BLACK |
| 2-WHITE | 6-CATERPILLAR YELLOW |
| 3-SPECTRUM GREY | 7-CATO GOLD |
| 4-SUNBELT GREEN | 8-RED |

THE SERIAL NUMBER MAY BE REQUIRED.



ENCLOSURE ASSY. (CONT'D.)

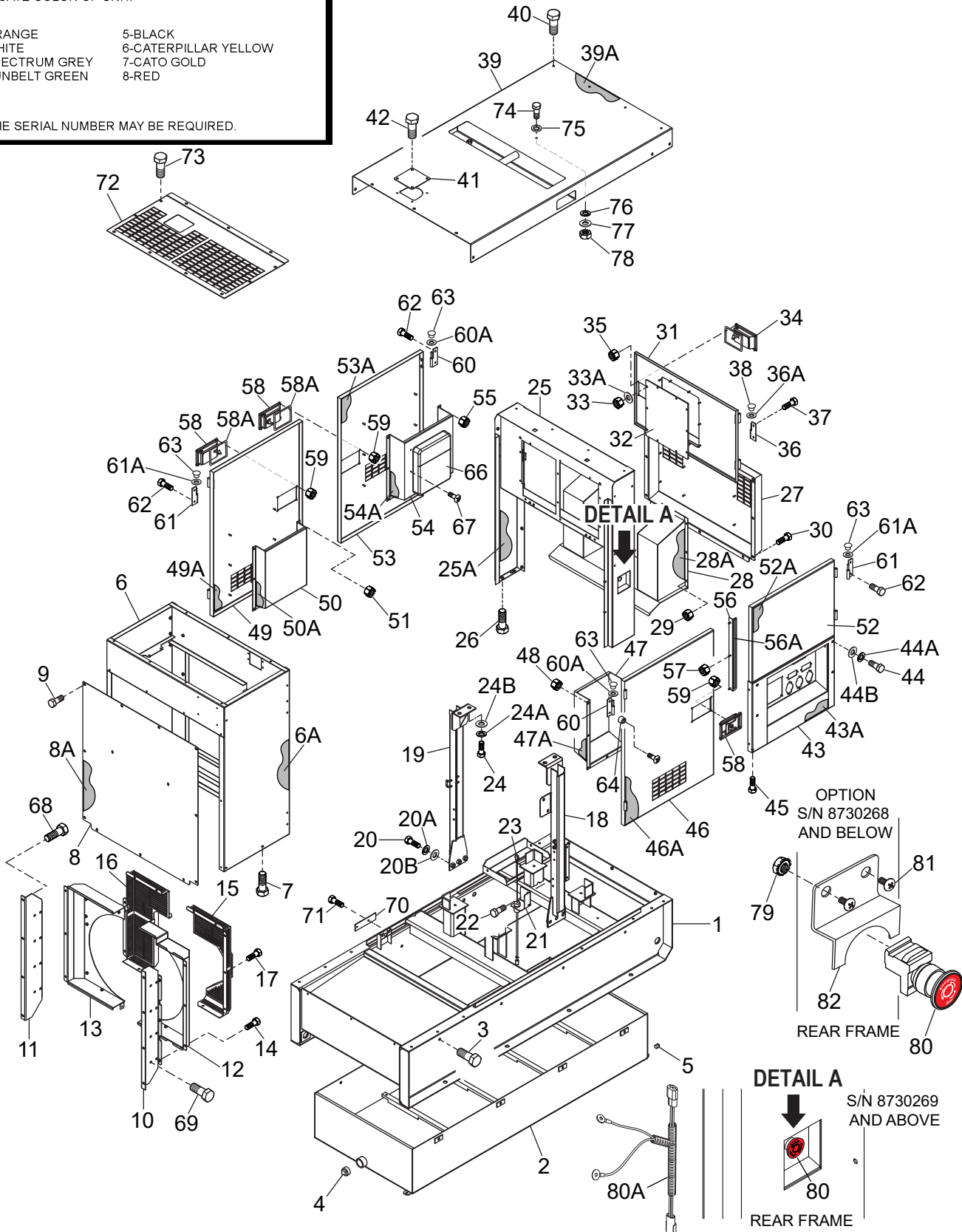
| <u>NO.</u> | <u>PART NO.</u> | <u>PART NAME</u> | <u>QTY.</u> | <u>REMARKS</u> |
|------------|-----------------|-----------------------|-------------|--------------------------|
| 34 | Y0605012309 | DOOR HANDLE ASSY. | 1 | |
| 34A | C9312500004 | SEAL RUBBER | 1 | |
| 35 | 176060030 | SELF-LOCKING NUT..... | 4 | REPLACES P/N 0207006000 |
| 36 | M9110100204 | HINGE | 2 | |
| 36A | M9116100004 | WASHER | 2 | |
| 37 | 0019208020 | HEX. HEAD BOLT | 3 | |
| 38 | 845031504 | BLIND PLUG..... | 2 | REPLACES P/N M9310000004 |
| 39 | M1464000202 | ROOF PANEL..... | 1 | S/N 8730230 AND BELOW |
| 39 | M1464000212 | ROOF PANEL..... | 1 | S/N 8730231 AND ABOVE |
| 39A | M1494500803 | ACOUSTIC SHEET | 1 | |
| 40 | 0019208020 | HEX. HEAD BOLT..... | 19 | S/N 8730230 AND BELOW |
| 40 | 0019208020 | HEX. HEAD BOLT..... | 13 | S/N 8730231 AND ABOVE |
| 41 | M3310600004 | COVER | 1 | |
| 42 | 0019208020 | HEX. HEAD BOLT | 4 | |
| 43 | M1454200702 | SPLASHER PANEL..... | 1 | S/N 8730135 AND BELOW |
| 43 | M1454200712 | SPLASHER PANEL..... | 1 | S/N 8730136 ~ 8730333 |
| | | | | S/N 8730344 ~ 8730353 |
| 43 | M1454201902 | SPLASHER PANEL..... | 1 | S/N 8730334 ~ 8730343 |
| | | | | S/N 8730354 AND ABOVE |
| 43A | M1494401304 | ACOUSTIC SHEET | 1 | |
| 44 | 0019108055 | HEX. HEAD BOLT | 4 | |
| 44A | 0042308000 | WASHER, LOCK | 4 | |
| 44B | 031108160 | WASHER, FLAT..... | 4 | REPLACES P/N 0042408000 |
| 45 | 011008020 | HEX. HEAD BOLT..... | 2 | REPLACES P/N 0016908020 |
| 46 | M1454001003 | SIDE DOOR | 1 | |
| 46A | M1494401404 | ACOUSTIC SHEET | 1 | |
| 47 | M1454300404 | DUCT | 1 | |
| 47A | M1494401904 | ACOUSTIC SHEET | 1 | |
| 48 | 176060030 | SELF-LOCKING NUT..... | 7 | REPLACES P/N 0207006000 |
| 49 | M1454001103 | SIDE DOOR | 1 | |
| 49A | M1494401504 | ACOUSTIC SHEET | 1 | |
| 50 | M1454300604 | DUCT | 1 | |
| 50A | M1494402104 | ACOUSTIC SHEET | 1 | |
| 51 | 176060030 | SELF-LOCKING NUT..... | 7 | REPLACES P/N 0207006000 |
| 52 | M1454001203 | SIDE DOOR | 1 | |
| 52A | M1494401604 | ACOUSTIC SHEET | 1 | |
| 53 | M1454001303 | SIDE DOOR | 1 | |
| 53A | M1494401703 | ACOUSTIC SHEET | 1 | |
| 54 | M1454300703 | DUCT | 1 | |
| 54A | M1494402204 | ACOUSTIC SHEET | 1 | |
| 55 | 176060030 | SELF-LOCKING NUT..... | 7 | REPLACES P/N 0207006000 |
| 56 | M1454700104 | DOOR SUPPORTER | 1 | |
| 56A | Y0229200480 | RUBBER SEAL | 1 | |
| 57 | 176060030 | SELF-LOCKING NUT..... | 3 | REPLACES P/N 0207006000 |
| 58 | Y0605012309 | DOOR HANDLE ASSY. | 3 | |
| 58A | C9312500004 | SEAL RUBBER | 3 | |
| 59 | 176060030 | SELF-LOCKING NUT..... | 12 | REPLACES P/N 0207006000 |

ENCLOSURE ASSY. (CONT'D.)

ADD THE FOLLOWING DIGITS AFTER THE PART NUMBER WHEN ORDERING ANY PAINTED PANEL TO INDICATE COLOR OF UNIT:

- | | |
|-----------------|----------------------|
| 1-ORANGE | 5-BLACK |
| 2-WHITE | 6-CATERPILLAR YELLOW |
| 3-SPECTRUM GREY | 7-CATO GOLD |
| 4-SUNBELT GREEN | 8-RED |

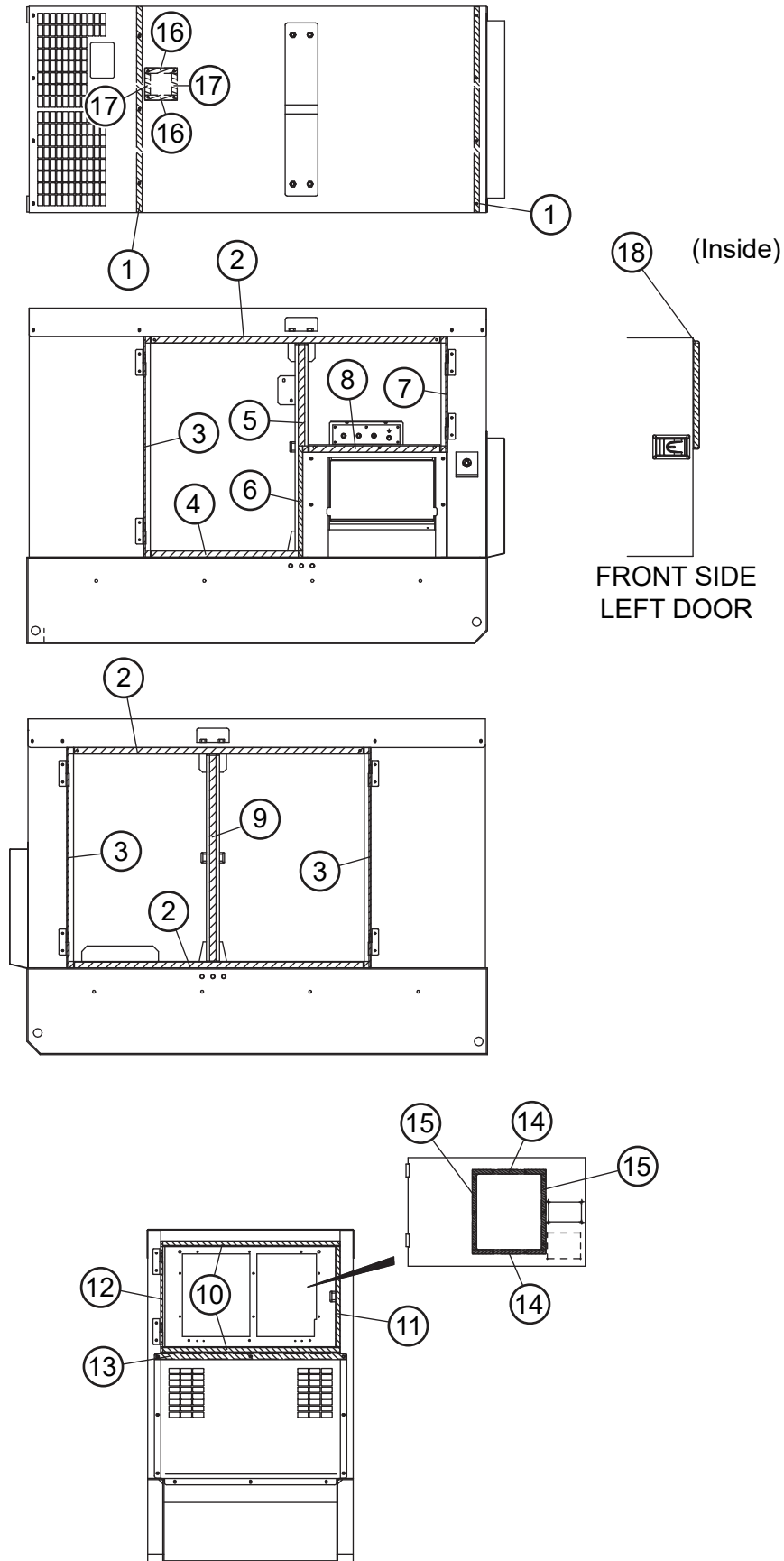
THE SERIAL NUMBER MAY BE REQUIRED.



ENCLOSURE ASSY. (CONT'D.)

| <u>NO.</u> | <u>PART NO.</u> | <u>PART NAME</u> | <u>QTY.</u> | <u>REMARKS</u> |
|------------|-----------------|-----------------------------------|-------------|--|
| 60 | M9110100204 | HINGE | 4 | |
| 60A | M9116100004 | WASHER | 4 | |
| 61 | M9110100304 | HINGE | 4 | |
| 61A | M9116100004 | WASHER | 4 | |
| 62 | 0019208020 | HEX. HEAD BOLT | 9 | |
| 63 | 845031504 | BLIND PLUG | 8 | REPLACES P/N M931000004 |
| 64 | 0601850097 | DOOR STOPPER | 8 | |
| 65 | 0027208025 | MACHINE SCREW | 8 | |
| 66 | 0600800320 | MANUAL PAK | 1 | |
| 67 | 27106016 | MACHINE SCREW | 4 | REPLACES P/N 0021806015 |
| 68 | 011008020 | HEX. HEAD BOLT | 8 | REPLACES P/N 0016908020 |
| 69 | 011008020 | HEX. HEAD BOLT | 16 | REPLACES P/N 0016908020 |
| 70 | M2414800304 | HOLE COVER (BASE)..... | 1 | S/N 8730226 AND ABOVE |
| 71 | 011008020 | HEX. HEAD BOLT | 2 | REPLACES P/N 0016908020 S/N 8730226 AND ABOVE |
| 72 | M1424100004 | FRONT FRAME OVER COVER | 1 | S/N 8730231 AND ABOVE |
| 73 | 011008020 | HEX. HEAD BOLT | 8 | REPLACES P/N 0016908020 S/N 8730231 AND ABOVE |
| 74 | 0019112030 | HEX. HEAD BOLT | 1 | S/N 8730264 AND ABOVE |
| 75 | Y0605050040 | SEALING WASHER | 1 | S/N 8730264 AND ABOVE |
| 76 | 0042312000 | WASHER, LOCK..... | 1 | S/N 8730264 AND ABOVE |
| 77 | 0042412000 | WASHER, FLAT | 1 | S/N 8730264 AND ABOVE |
| 78 | 0030012000 | HEX. HEAD BOLT | 1 | S/N 8730264 AND ABOVE |
| 79 | | NUT, 10-24 (W/ STAR WASHER) | 2 | OBTAIN LOCALLY S/N 8730268 AND BELOW |
| 80 | EE55989 | SWITCH, EMERGENCY STOP | 1 | OPTION S/N 8730268 AND BELOW |
| 80 | Y0601831953 | EMERGENCY STOP BUTTON..... | 1 | S/N 8730269 AND ABOVE |
| 80A | M1358203104 | E-STOP WIRE HARNESS | 1 | S/N 8730269 ~ 8730370 |
| 81 | | MACHINE SCREW, 10-24X1/2..... | 2 | OBTAIN LOCALLY S/N 8730268 AND BELOW |
| 82 | EE1687 | GUARD, EMERGENCY STOP..... | 1 | S/N 8730268 AND BELOW |

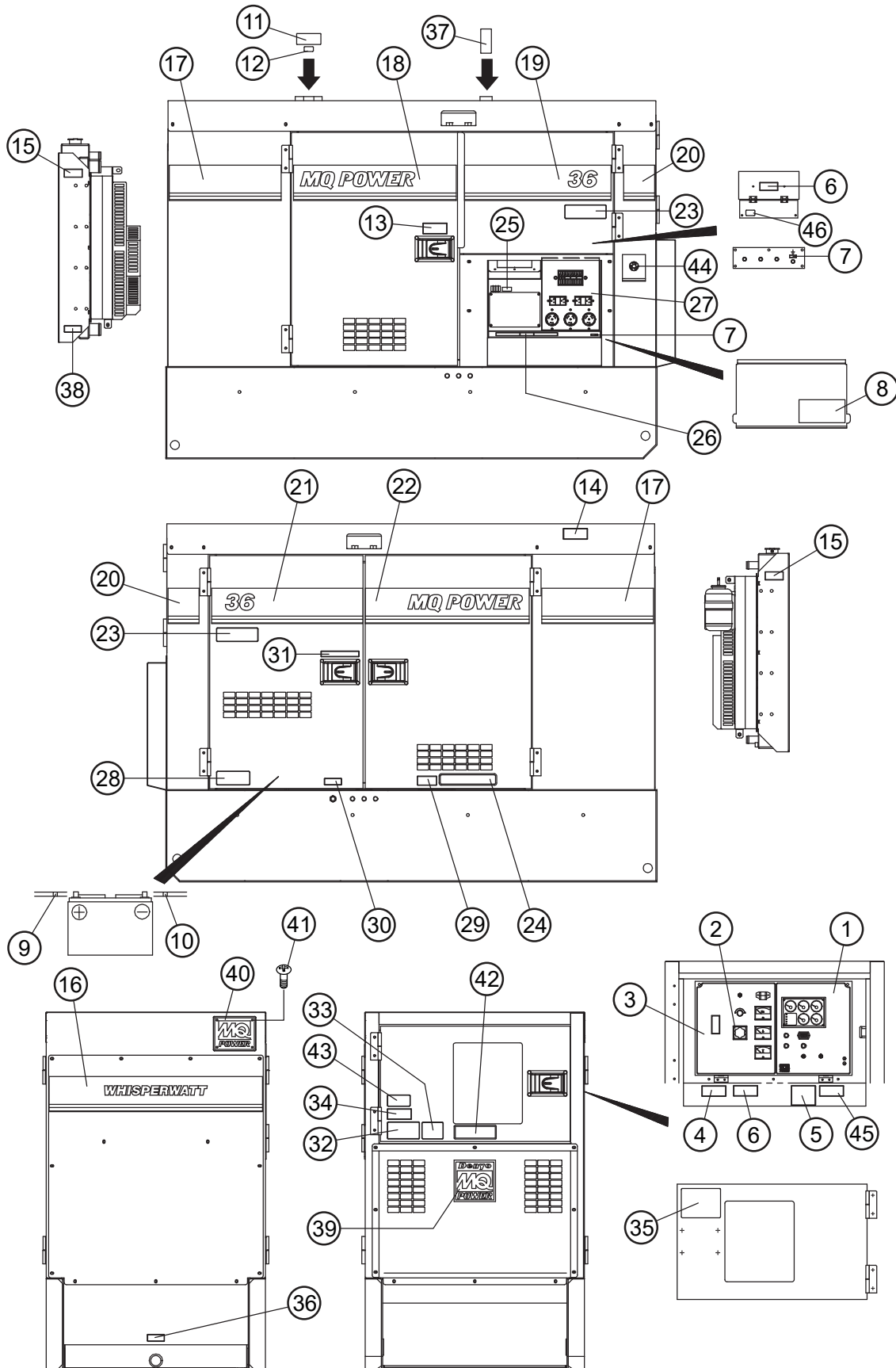
RUBBER SEALS ASSY.



RUBBER SEALS ASSY.

| <u>NO.</u> | <u>PART NO.</u> | <u>PART NAME</u> | <u>QTY.</u> | <u>REMARKS</u> |
|------------|-----------------|-------------------|-------------|-------------------------|
| 1 | 0229200950 | RUBBER SEAL | 2 | |
| 2 | 0228901390 | RUBBER SEAL | 3 | |
| 3 | Y0229401020 | RUBBER SEAL | 3 | |
| 4 | Y0228900705 | RUBBER SEAL | 1 | |
| 5 | 0228900475 | RUBBER SEAL | 1 | |
| 6 | 0228800515 | RUBBER SEAL | 1 | |
| 7 | Y0229400535 | RUBBER SEAL | 1 | |
| 8 | 0228900660 | RUBBER SEAL | 1 | |
| 9 | 0228900960 | RUBBER SEAL | 1 | |
| 10 | Y0228800820 | RUBBER SEAL | 2 | |
| 11 | 0228800470 | RUBBER SEAL | 1 | |
| 12 | 0228800510 | RUBBER SEAL | 1 | |
| 13 | 0229200880 | RUBBER SEAL | 1 | |
| 14 | 0228100340 | RUBBER SEAL | 2 | |
| 15 | 70NS2016 | RUBBER SEAL | 2 | REPLACES P/N 0228100350 |
| 16 | Y0229200145 | RUBBER SEAL | 2 | |
| 17 | Y0229200100 | RUBBER SEAL | 2 | |
| 18 | Y0229200480 | RUBBER SEAL | 1 | S/N 8730264 AND ABOVE |

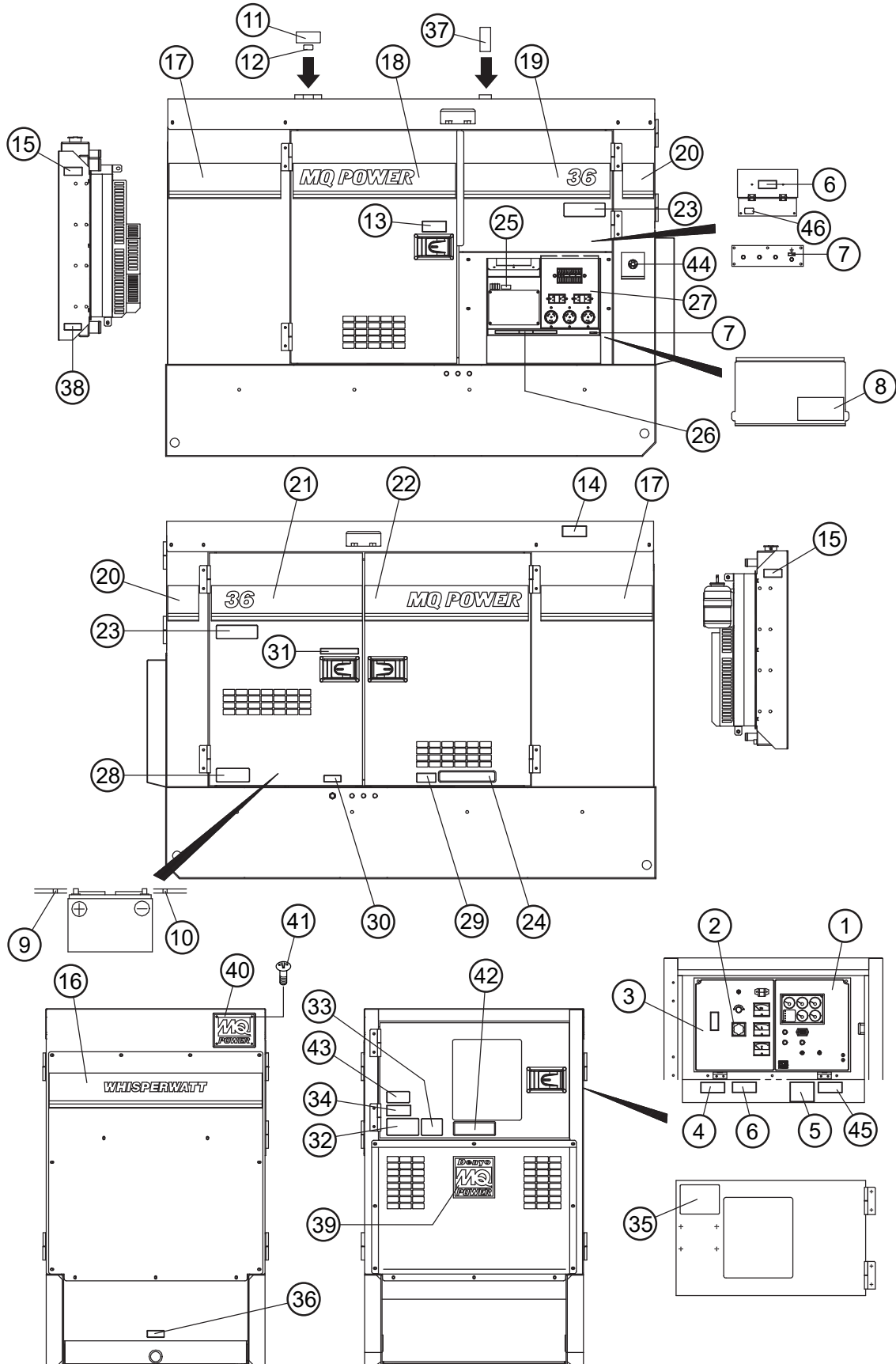
NAMEPLATE AND DECALS ASSY.



NAMEPLATE AND DECALS ASSY.

| <u>NO.</u> | <u>PART NO.</u> | <u>PART NAME</u> | <u>QTY.</u> | <u>REMARKS</u> |
|------------|-----------------|-------------------------------------|-------------|---------------------------------------|
| 1 | M1551000903 | DECAL: ENGINE OPERATING..... | 1 | M15100090 S/N 8730323 AND BELOW |
| 1 | M1551000913 | DECAL: ENGINE OPERATING..... | 1 | S/N 8730324 AND ABOVE |
| 2 | M9521000504 | DECAL: AMMETER CHANGE-OVER SW. . | 1 | M92100050 |
| 3 | M1551000803 | DECAL: GENERATOR CONTROL | 1 | M15100080 |
| 4 | M9520100704 | DECAL: WARNING ARC FLASH | 1 | M92010070 |
| 5 | M9520100304 | DECAL: GENERAL CAUTIONS..... | 1 | M92010030 |
| 6 | M9520100004 | DECAL: WARNING ELECT. SHOCK | 2 | M92010000 |
| 7 | M9520000004 | DECAL: GROUNDING..... | 2 | M92000000 |
| 8 | M9520100404 | DECAL: DANGER HIGH VOLTAGE..... | 1 | M92010040 |
| 9 | M9500300104 | DECAL: + | 1 | M90030010 |
| 10 | M9500300004 | DECAL: - | 1 | M90030000 |
| 11 | M9503100004 | DECAL: WARNING RADIATOR CAP..... | 1 | M90310000 |
| 12 | M9500100004 | DECAL: WATER..... | 1 | M90010000 |
| 13 | M9510100004 | DECAL: CAUTION HIGH TEMP..... | 1 | M91010000 |
| 14 | M9503200004 | DECAL: WARNING EXHAUST GAS..... | 1 | M90320000 |
| 15 | M9503000004 | DECAL: WARNING ROTATING PART | 2 | M90300000 |
| 16 | M1561101103 | STRIPE | 1 | |
| 17 | M1561101203 | STRIPE | 2 | |
| 18 | M1561101303 | STRIPE | 1 | |
| 19 | M1561102203 | STRIPE | 1 | |
| 20 | M1561101504 | STRIPE | 2 | |
| 21 | M1561102303 | STRIPE | 1 | |
| 22 | M1561101703 | STRIPE | 1 | |
| 23 | M9520100603 | DECAL: CAUTION AUTO START | 2 | M92010060 |
| 24 | M9503000103 | DECAL: DAILY CHECK WATER AND OIL .. | 1 | M90300010 |
| 25 | M9520000504 | DECAL: START CONTACT | 1 | M92000050 |
| 26 | M9520100503 | DECAL: WARNING | 1 | M92010050 |
| 27 | M1550002203 | DECAL: AUXILIARY OUTPUTS..... | 1 | M15000220 S/N 8730135 AND BELOW |
| 27 | M1550000703 | DECAL: AUXILIARY OUTPUTS..... | 1 | M15000070 S/N 8730136 AND ABOVE |
| 28 | M9510100403 | DECAL: CAUTION BATTERY CONNECT .. | 1 | M91010040 |
| 29 | M9501500004 | DECAL: DIESEL FUEL..... | 1 | M90150000 |
| 30 | M9500000004 | DECAL: OIL DRAIN..... | 1 | M90000000 |
| 31 | M9510000104 | DECAL: DOCUMENT BOX LOCATED | 1 | M91000010 |
| 32 | M9511100004 | DECAL: ENVIRONMENTAL WARNING..... | 1 | M91110000 |
| 33 | M9503200104 | DECAL: DANGER EX. GAS (INDOOR)..... | 1 | M90320010 |
| 34 | 920214100 | DECAL: WARNING START FIRES | 1 | REPLACES P/N M9504200004 M90420000 |
| 35 | M2550002303 | OPERATING PRECAUTIONS | 1 | M25000230 S/N 8730268 AND BELOW |
| 35 | M1551001503 | OPERATING PRECAUTIONS | 1 | M15000150 S/N 8730269 AND ABOVE |
| 36 | M9510000004 | DECAL: FLUID DRAIN..... | 1 | M91000000 |
| 37 | M1550001504 | CAUTION: LIFTING CAPACITY..... | 1 | M15000150 |
| 38 | M9500100304 | INTER-COOLER DRAIN..... | 1 | M90010030 |

NAMEPLATE AND DECALS ASSY. (CONT'D.)



NAMEPLATE AND DECALS ASSY. (CONT'D.)

| <u>NO.</u> | <u>PART NO.</u> | <u>PART NAME</u> | <u>QTY.</u> | <u>REMARKS</u> |
|------------|-----------------|-------------------------------------|-------------|------------------------------------|
| 39 | M9511200204 | STICKER: MQ | 1 | M91120020 |
| 40 | 0600500092 | EMBLEM | 1 | |
| 41 | 0021106015 | MACHINE SCREW | 4 | |
| 42 | M9511200103 | TIER 4F | 1 | M91120010 |
| 43 | M9504200104 | DECAL: WARNING PROPOSITION 65 | 1 | M90420100 S/N 8730231 AND ABOVE |
| 44 | M9521002804 | DECAL: EMERGENCY STOP BUTTON | 1 | M92100280 S/N 8730269 AND ABOVE |
| 45 | M1551001704 | DECAL: NOTICE RELEASE E-STOP | 1 | M15100170 S/N 8730324 AND ABOVE |
| 46 | M1551001904 | DECAL:OUTPUT TERM. BOLT TQ..... | 1 | M15100190 S/N 8730366 AND ABOVE |

PARTS MANUAL

HERE'S HOW TO GET HELP

PLEASE HAVE THE MODEL AND SERIAL
NUMBER ON HAND WHEN CALLING

UNITED STATES

Multiquip Inc.

(310) 537- 3700
6141 Katella Avenue Suite 200
Cypress, CA 90630
E-MAIL: mq@multiquip.com
WEBSITE: www.multiquip.com

CANADA

Multiquip

(450) 625-2244
4110 Industriel Boul.
Laval, Quebec, Canada H7L 6V3
E-MAIL: infocanada@multiquip.com

UNITED KINGDOM

Multiquip (UK) Limited Head Office

0161 339 2223
Unit 2, Northpoint Industrial Estate, Globe Lane,
Dukinfield, Cheshire SK16 4UJ
E-MAIL: sales@multiquip.co.uk

© COPYRIGHT 2025, MULTIQUIP INC.

Multiquip Inc., the MQ logo and the MQ Power logo are registered trademarks of Multiquip Inc. and may not be used, reproduced, or altered without written permission. All other trademarks are the property of their respective owners and used with permission.

This manual MUST accompany the equipment at all times. This manual is considered a permanent part of the equipment and should remain with the unit if resold.

The information and specifications included in this publication were in effect at the time of approval for printing. Illustrations, descriptions, references and technical data contained in this manual are for guidance only and may not be considered as binding. Multiquip Inc. reserves the right to discontinue or change specifications, design or the information published in this publication at any time without notice and without incurring any obligations.

Manufactured for
MQ Power Inc.
by
DENYO MANUFACTURING CORP.

