

# PARTS MANUAL



**WHISPERWATT™ SERIES**  
**MODEL**  
**DCA400SSI4F3B**  
**60 Hz GENERATOR**  
**(ISUZU BQ-6WG1X DIESEL ENGINE)**

**PARTS LIST NO. C3871302804F**

Revision #3 (06/23/26)

To find the latest revision of this publication or  
associated operation manual, visit our website  
at: [www.mqpower.com](http://www.mqpower.com)



# TABLE OF CONTENTS

## DCA400SSI4F3B 60 Hz Generator

Explanation of Code in Remarks Column..... 4  
Suggested Spare Parts ..... 5

### Component Drawings

Generator Assembly ..... 6–9  
Control Box Assembly ..... 10–13  
Control Box Back Panel Assembly ..... 14–15  
Control Panel Assembly ..... 16–17  
Engine and Radiator 1 Assembly ..... 18–21  
Engine and Radiator 2 Assembly ..... 22–23  
Engine Operating Panel Assembly ..... 24–25  
Output Terminal Assembly ..... 26–29  
Battery Assembly ..... 30–31  
DOC and SCR Assembly ..... 32–33  
Exhaust Pipe Assembly ..... 34–35  
DEF Tank Assembly ..... 36–39  
Fuel Tank Assembly ..... 40–43  
Enclosure 1 Assembly ..... 44–47  
Enclosure 2 Assembly ..... 48–49  
Enclosure 3 Assembly ..... 50–53  
Rubber Seals Assembly ..... 54–55  
Battery Charger Assembly (Option) ..... 56–57  
Jacket Water Heater Assembly (Option) ..... 58–59  
Power Balance Assembly (Option) ..... 60–63  
Nameplate and Decals Assembly ..... 64–67

**NOTICE**

Specifications and part numbers are subject to change without notice.



# EXPLANATION OF CODE IN REMARKS COLUMN

The following section explains the different symbols and remarks used in the Parts section of this manual. Use the help numbers found on the back page of the manual if there are any questions.

## NOTICE

The contents and part numbers listed in the parts section are subject to change without notice. Multiquip does not guarantee the availability of the parts listed.

## SAMPLE PARTS LIST

NO.	PART NO.	PART NAME	QTY.	REMARKS
1	12345	BOLT .....	1	INCLUDES ITEMS W/%
2%		WASHER, 1/4 IN. ....		NOT SOLD SEPARATELY
2%	12347	WASHER, 3/8 IN. ...	1	MQ-45T ONLY
3	12348	HOSE .....	A/R	MAKE LOCALLY
4	12349	BEARING .....	1	S/N 2345B AND ABOVE

## NO. Column

**Unique Symbols** — All items with same unique symbol (@, #, +, %, or >) in the number column belong to the same assembly or kit, which is indicated by a note in the “Remarks” column.

**Duplicate Item Numbers** — Duplicate numbers indicate multiple part numbers, which are in effect for the same general item, such as different size saw blade guards in use or a part that has been updated on newer versions of the same machine.

## NOTICE

When ordering a part that has more than one item number listed, check the remarks column for help in determining the proper part to order.

## PART NO. Column

**Numbers Used** — Part numbers can be indicated by a number, a blank entry, or TBD.

TBD (To Be Determined) is generally used to show a part that has not been assigned a formal part number at the time of publication.

A blank entry generally indicates that the item is not sold separately or is not sold by Multiquip. Other entries will be clarified in the “Remarks” Column.

## QTY. Column

**Numbers Used** — Item quantity can be indicated by a number, a blank entry, or A/R.

A/R (As Required) is generally used for hoses or other parts that are sold in bulk and cut to length.

A blank entry generally indicates that the item is not sold separately. Other entries will be clarified in the “Remarks” Column.

## REMARKS Column

Some of the most common notes found in the “Remarks” Column are listed below. Other additional notes needed to describe the item can also be shown.

**Assembly/Kit** — All items on the parts list with the same unique symbol will be included when this item is purchased.

Indicated by:

“INCLUDES ITEMS W/(unique symbol)”

**Serial Number Break** — Used to list an effective serial number range where a particular part is used.

Indicated by:

“S/N XXXXX AND BELOW”

“S/N XXXX AND ABOVE”

“S/N XXXX TO S/N XXX”

**Specific Model Number Use** — Indicates that the part is used only with the specific model number or model number variant listed. It can also be used to show a part is NOT used on a specific model or model number variant.

Indicated by:

“XXXXX ONLY”

“NOT USED ON XXXX”

**“Make/Obtain Locally”** — Indicates that the part can be purchased at any hardware shop or made out of available items. Examples include battery cables, shims, and certain washers and nuts.

**“Not Sold Separately”** — Indicates that an item cannot be purchased as a separate item and is either part of an assembly/kit that can be purchased, or is not available for sale through Multiquip.

# SUGGESTED SPARE PARTS

## DCA400SSI4F3B WHISPERWATT GENERATOR WITH ISUZU BQ-6WG1X DIESEL ENGINE

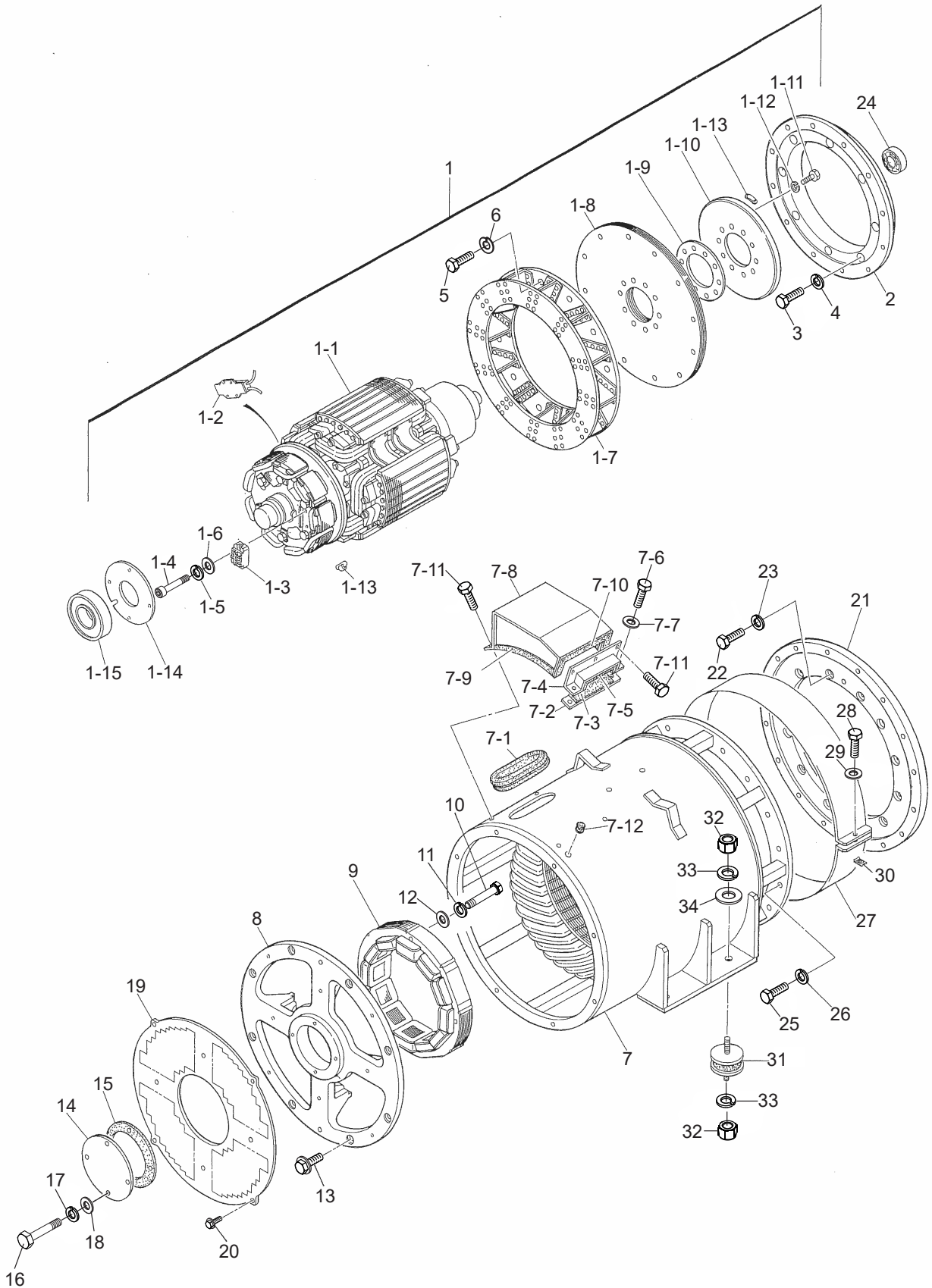
### 1 TO 3 UNITS

Qty.	P/N	Description
3.....	1132402330.....	CARTRIDGE, MAIN OIL FILTER
5.....	1132402410.....	CARTRIDGE, BYPASS OIL FILTER
5.....	8983129180.....	ELEMENT, MAIN FUEL FILTER
5.....	8980742881.....	ELEMENT, PRE FUEL FILTER
3.....	P777868.....	ELEMENT, AIR CLEANER OUTER
3.....	.0602046653-1.....	ELEMENT, AIR CLEANER INNER
1.....	1136715030.....	BELT, FAN
1.....	C3311500303.....	RADIATOR HOSE, UPPER
1.....	C3311500403.....	RADIATOR HOSE, LOWER
1.....	C3311500604.....	INTER COOLER HOSE, UPPER LS
1.....	C3311500704A.....	INTER COOLER HOSE, UPPER RS
1.....	C3311500504.....	INTER COOLER HOSE, LOWER LS
1.....	C3311500804.....	INTER COOLER HOSE, LOWER RS
1.....	.0601808803.....	CIRCUIT BREAKER, 1P, 20 AMP
1.....	.0601808804.....	CIRCUIT BREAKER, 2P, 50 AMP
1.....	.0601806683.....	FUSE, 8 AMP
1.....	.0601806671.....	FUSE, 15 AMP
3.....	Y0601806646.....	FUSE, 20AMP
3.....	.0601806644.....	FUSE, 30AMP
1.....	.0601820601.....	AUTOMATIC VOLTAGE REGULATOR

#### NOTICE

Part numbers on this Suggested Spare Parts list may supersede/replace the P/N shown in the next pages of this book.

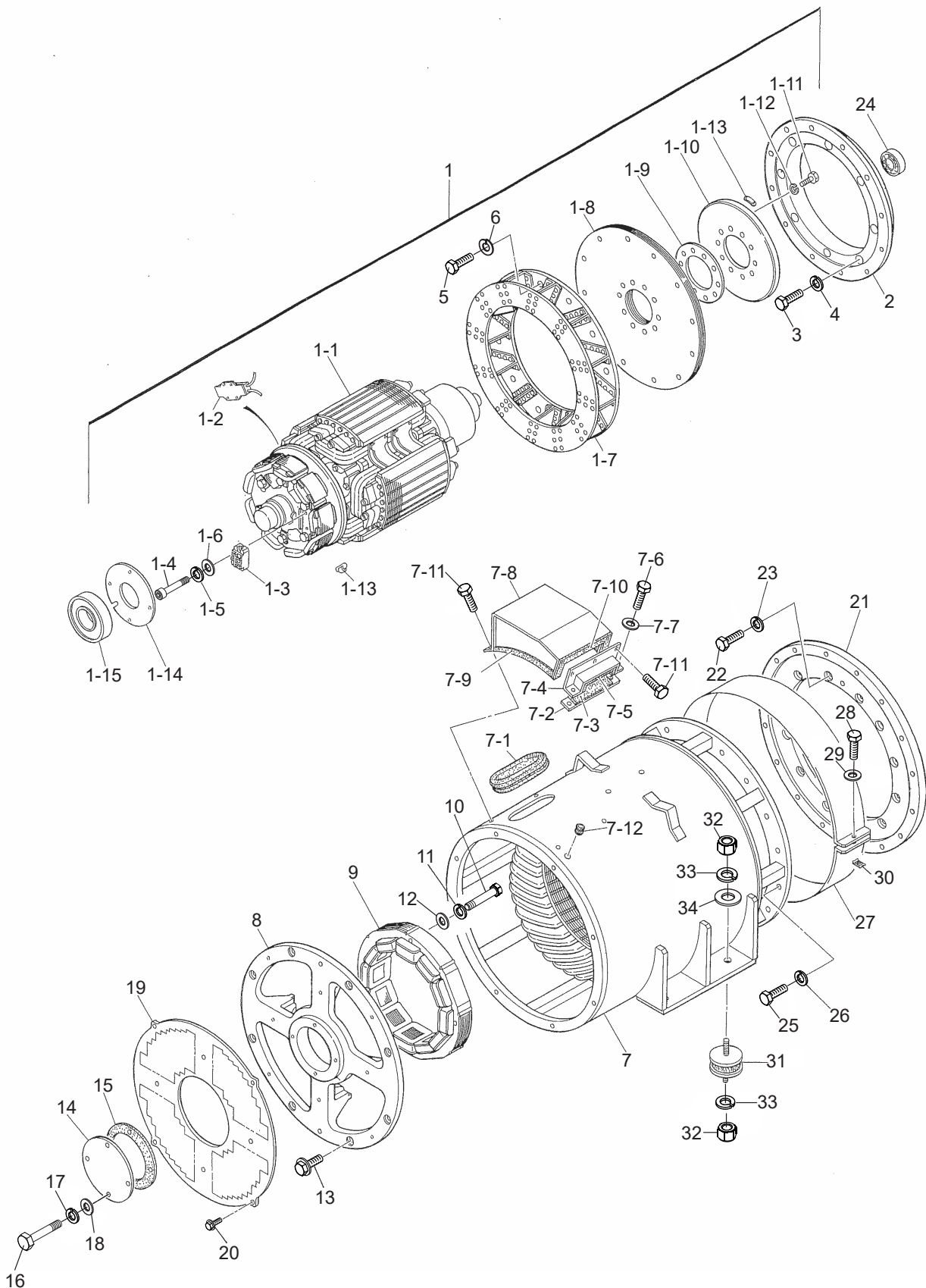
# GENERATOR ASSY.



# GENERATOR ASSY.

<u>NO.</u>	<u>PART NO.</u>	<u>PART NAME</u>	<u>QTY.</u>	<u>REMARKS</u>
1	C3110101302	ROTOR ASSY. ....	1.....	INCLUDE ITEMS W/\$
1-1\$		FIELD ASSY.	1	
1-2\$	0601842401	RESISTOR, 80W 300ΩK	2	
1-3\$	0601823237	RECTIFIER	1	
1-4\$	0018205020	HEX. SOCKET HEAD CAP SCREW	2	
1-5\$	0032005000	WASHER, LOCK.....	2.....	REPLACES P/N 0040005000
1-6\$	0401450050	WASHER, FLAT .....	2.....	REPLACES P/N 0041205000
1-7\$	8201070002	FAN	1	
1-8\$	8201611004	COUPLING DISK	12	
1-9\$	C3164200004	WASHER, COUPLING HUB	1	
1-10\$	8201015003	BALANCING PLATE .....	1.....	ITEM 1-13 MUST BE ORDERED WHEN REPLACING ITEM 1-10
1-11\$	0012116045	HEX. HEAD BOLT	10	
1-12\$	0042616000	WASHER, LOCK	10	
1-13\$	0601000209	BALANCING WEIGHT KIT	1	
1-14\$	C3112500004	BEARING FLANGE	1	
1-15\$	0071906315	BEARING	1	
2\$	C3164400403	COUPLING RING	1	
3\$	55553	HEX. HEAD BOLT .....	8.....	REPLACES P/N 0010312050
4\$	0042512000	WASHER, LOCK	8	
5\$	012112040	HEX. HEAD BOLT .....	12.....	REPLACES P/N 0010312040
6\$	0042512000	WASHER, LOCK	12	
7	C3130101103	STATOR ASSY. ....	1.....	INCLUDE ITEMS W/#
7-1#	0226200495	RUBBER SEAL	1	
7-2#	8211323004	CLAMPER	1	
7-3#	0223300172	RUBBER SEAL	1	
7-4#	8211323103	CLAMPER	1	
7-5#	0221200440	RUBBER SEAL	1	
7-6#	0010110035	HEX. HEAD BOLT	2	
7-7#	031110160	WASHER, FLAT .....	2.....	REPLACES P/N 0041210000
7-8#	C3132200003	COVER	1	
7-9#	0226000290	RUBBER SEAL	2	
7-10#	0225000590	RUBBER SEAL	1	
7-11#	011206020	HEX. HEAD BOLT .....	6.....	REPLACES P/N 0017106020
7-12#	0845044904	GROMMET	1	
8	C3154000002	END BRACKET	1	
9	C3138000003	FIELD ASSY., EXCITER	1	
10	0012110080	HEX. HEAD BOLT	4	
11	0042610000	WASHER, LOCK	4	
12	031110160	WASHER, FLAT .....	4.....	REPLACES P/N 0041210000
13	0017112045	HEX. HEAD BOLT	8	
14	C3154300104	COVER, BEARING	1	
15	C3154300004	GASKET, BEARING	1	
16	0010106060	HEX. HEAD BOLT	4	
17	0040006000	WASHER, LOCK	4	
18	952404470	WASHER, FLAT .....	4.....	REPLACES P/N 0041206000

# GENERATOR ASSY. (CONT'D.)

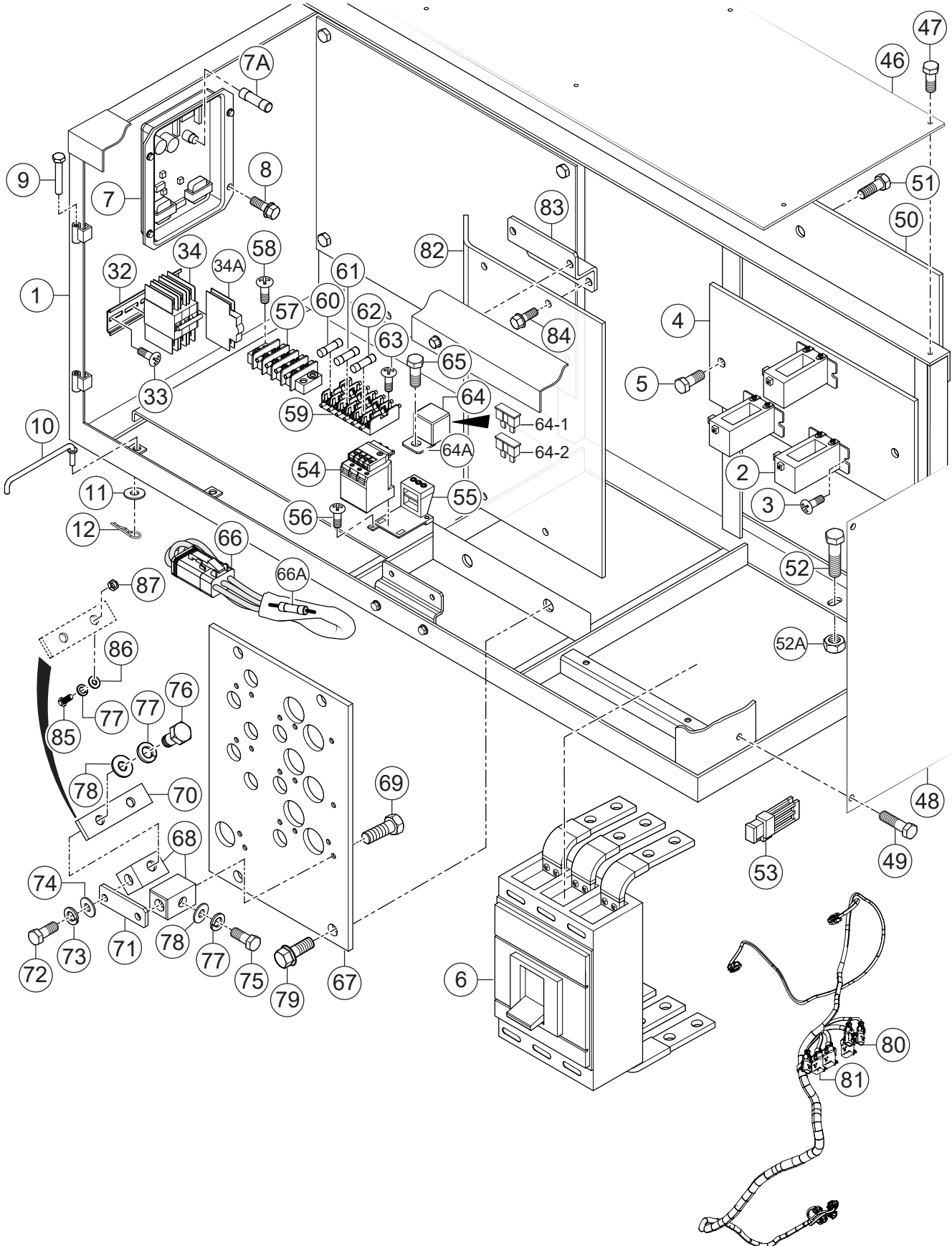


## GENERATOR ASSY. (CONT'D.)

---

<u>NO.</u>	<u>PART NO.</u>	<u>PART NAME</u>	<u>QTY.</u>	<u>REMARKS</u>
19	C3154400003	SUCTION COVER	1	
20	011106015	HEX. HEAD BOLT.....	8.....	REPLACES P/N 0017106015
21	C3163600003	COUPLING ADAPTER	1	
22	0131151240	HEX. HEAD BOLT.....	12.....	REPLACES P/N 0010312030
23	0042512000	WASHER, LOCK	12	
24	0070506206	BEARING	1	
25	012112040	HEX. HEAD BOLT.....	16.....	REPLACES P/N 0010312040
26	0042512000	WASHER, LOCK	16	
27	C3132300014	COVER, FAN	1	
28	0010006030	HEX. HEAD BOLT.....	1.....	REPLACES P/N 0010106030
29	952404470	WASHER, FLAT .....	1.....	REPLACES P/N 0041206000
30	020106050	NUT.....	1.....	REPLACES P/N 0600815000
31	0605000061	RUBBER SUSPENSION	4	
32	0030016000	HEX. NUT	8	
33	0040016000	WASHER, LOCK	8	
34	0041616000	WASHER, FLAT	4	

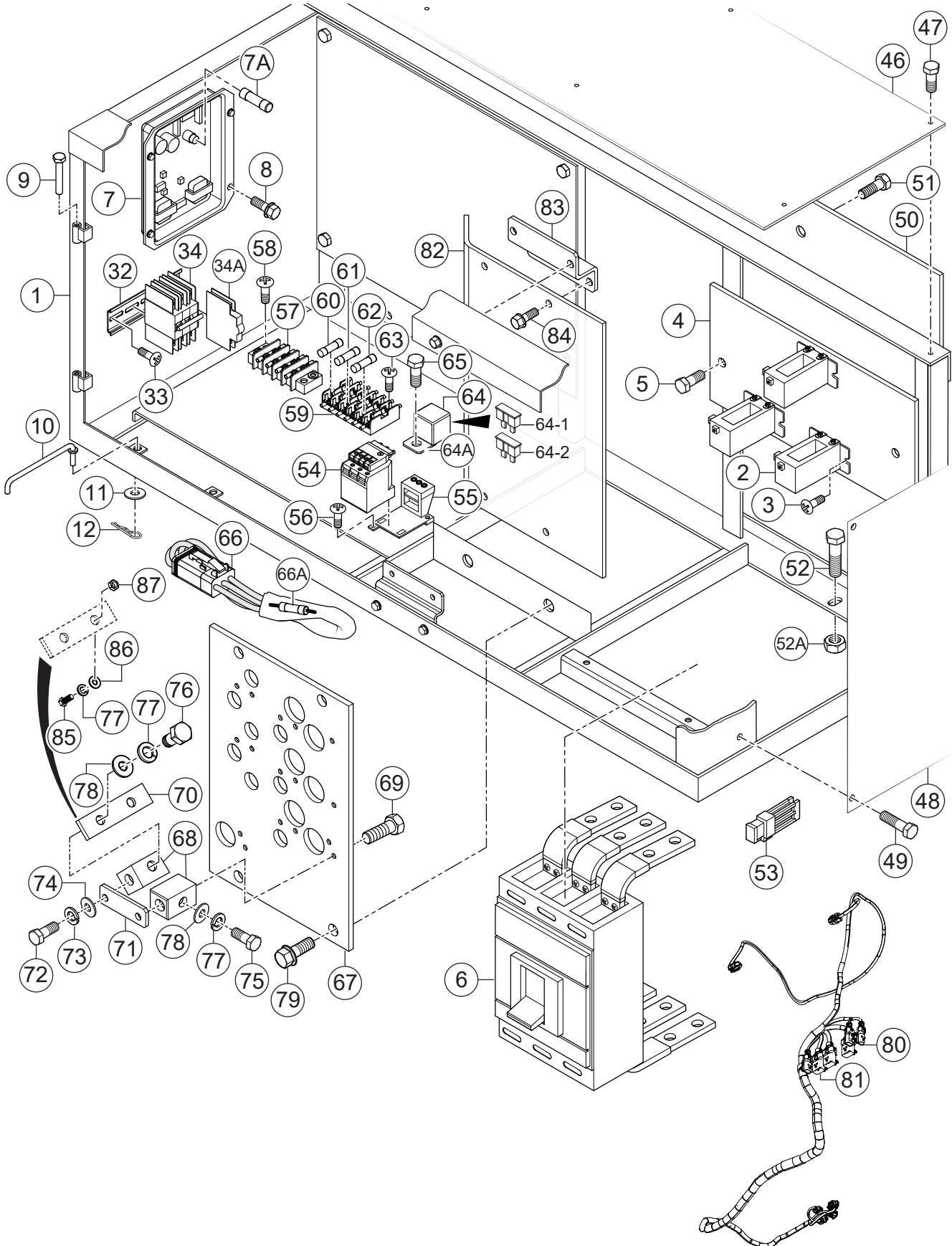
# CONTROL BOX ASSY.



## CONTROL BOX ASSY.

<u>NO.</u>	<u>PART NO.</u>	<u>PART NAME</u>	<u>QTY.</u>	<u>REMARKS</u>
1	C3214007302	CONTROL BOX .....	1.....	S/N 3974477 AND BELOW
1	C3214008302	CONTROL BOX .....	1.....	S/N 3974478 AND ABOVE
2	0601806166	CURRENT TRANSFORMER, 1500/5A	3	
3	011808015	MACHINE SCREW .....	6.....	REPLACES P/N 0027106015
4	C3261506203	BRACKET	1	
5	0016906015	HEX. HEAD BOLT	2	
6	0601807525	CIRCUIT BREAKER, ABB T7H, 1000A .....	1.....	S/N 3974477 AND BELOW
6	Y0601807562	CIRCUIT BREAKER, ABB XT7S, 1000A.....	1.....	S/N 3974478 AND ABOVE
7	0601820601	AUTOMATIC VOLTAGE REGULATOR.....	1.....	INCLUDES ITEMS W/#
7A#	0601806683	FUSE, 8A 250V	1	
8	0027105015	MACHINE SCREW	4	
9	0605011211	PIN	2	
10	W3871824004	STOPPER, CONTROL PANEL	1	
11	952404470	WASHER, FLAT .....	1.....	REPLACES P/N 0041206000
12	505015300	SNAP PIN .....	1.....	REPLACES P/N 0605010502
32	Y0290000160	RAIL	1	
33	0027104010	MACHINE SCREW	2	
34	Y0601807550	CIRCUIT BREAKER	1	
34A	Y0601807551	AUXILIARY CONTACT	1	
46	8221814804	COVER, CONTROL BOX	1	
47	011008020	HEX. HEAD BOLT.....	8.....	REPLACES P/N 0016908020
48	8224117004	SIDE PANEL, CONTROL BOX	1	
49	011008020	HEX. HEAD BOLT.....	4.....	REPLACES P/N 0016908020
50	C3214401104	PANEL, CONTROL BOX	1	
51	011008020	HEX. HEAD BOLT.....	8.....	REPLACES P/N 0016908020
52	Y0016910035	HEX. HEAD BOLT	2	
52A	021112140	HEX. NUT .....	2.....	REPLACES P/N 0207010000
53	0601806640	FUSE, 65A	1	
54	Y0601820876	OVER CURRENT RELAY	1	
55	Y0601820844	BRACKET, OVER CURRENT RELAY	1	
56	0027104015	MACHINE SCREW	2	
57	Y0601816538	TERMINAL BLOCK.....	1.....	REPLACES P/N 0601815153 S/N 3974477 AND BELOW
57	Y0601816538	TERMINAL BLOCK.....	1.....	S/N 3974478 AND ABOVE
58	0027104020	MACHINE SCREW	2	
59	0601802218	FUSE HOLDER	2	
60	0601806671	FUSE, 15A	1	
61	Y0601806665	FUSE, 5A	2	
62	Y0601802169	FUSE, 20A	1	
63	0027103020	MACHINE SCREW	2	
64	C3358201704	FUSE HOLDER ASSY.	2	
64-1	0601806644	FUSE, 30A	1	
64-2	Y0601806646	FUSE, 20A	1	
64A	0601802410	BRACKET, FUSE HOLDER	1	
65	011106015	HEX. HEAD BOLT.....	1.....	REPLACES P/N 0017106015

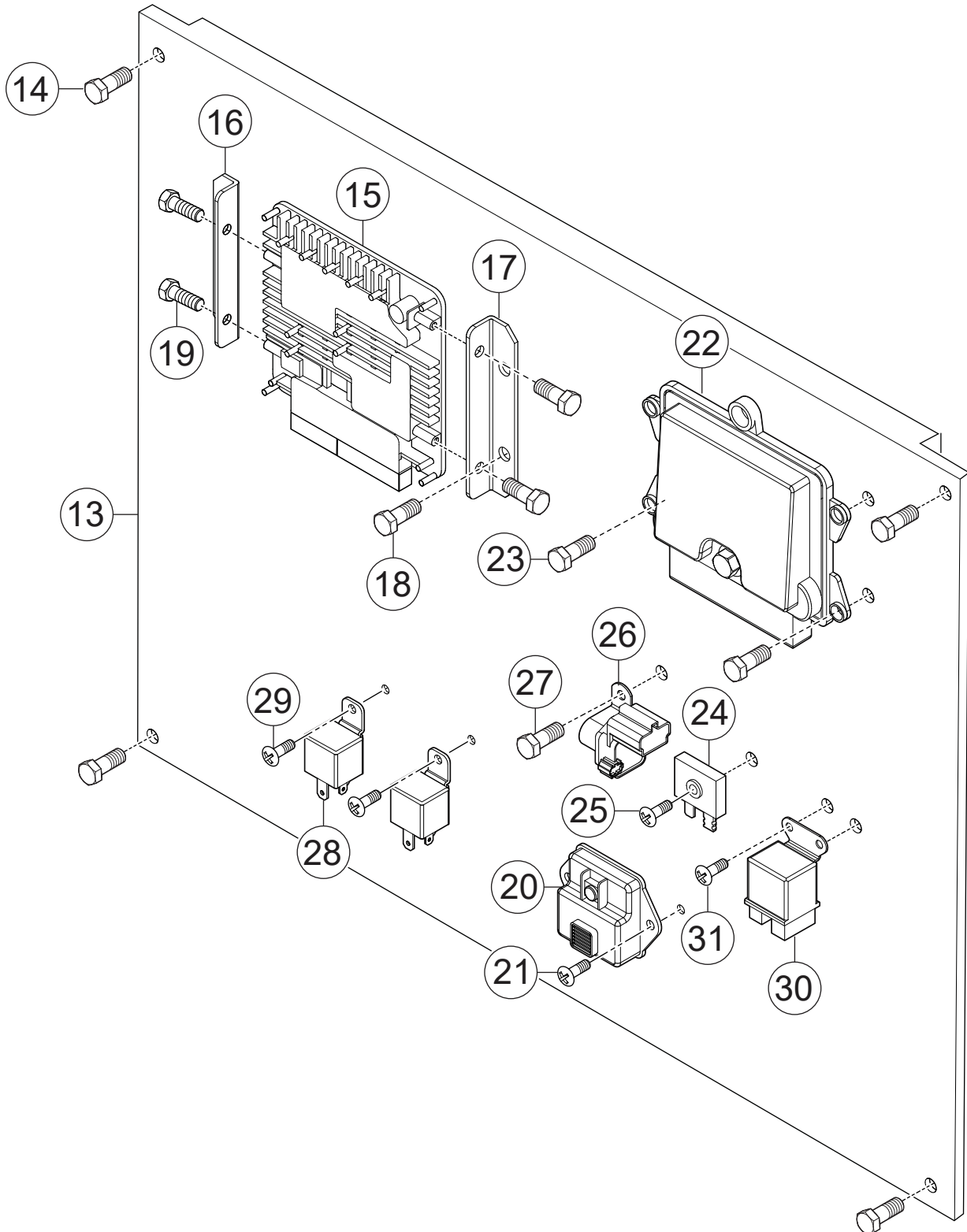
# CONTROL BOX ASSY. (CONT'D.)



## CONTROL BOX ASSY. (CONT'D.)

<u>NO.</u>	<u>PART NO.</u>	<u>PART NAME</u>	<u>QTY.</u>	<u>REMARKS</u>
66	C3267600204	RESISTOR ASSY.....	1.....	INCLUDES ITEMS W/%
66A%	Y0601842146	RESISTOR	1	
67	C3274000003	CHANGE-OVER BOARD, VOLTAGE	1	
68	8221852104	CHANGE TERMINAL	10	
69	011208030	HEX. HEAD BOLT.....	20.....	REPLACES P/N 0017108030
70	C2277200004	TERMINAL PLATE	3	
71	8221853104	CHANGE PLATE	6	
72	0801830804	HEX. HEAD BOLT	10	
73	0040016000	WASHER, LOCK	10	
74	0401450160	WASHER, FLAT.....	10.....	REPLACES P/N 0041416000
75	0801830704	HEX. HEAD BOLT	13	
76	8201852504	HEX. HEAD BOLT	3	
77	0040012000	WASHER, LOCK.....	16.....	S/N 3983475 AND BELOW
77	0040012000	WASHER, LOCK.....	19.....	S/N 3983476 AND ABOVE
78	0041412000	WASHER, FLAT	16	
79	012010030	HEX. HEAD BOLT.....	4.....	REPLACES P/N 0017110030
80	C3247710500	WIRE HARNESS, GENERATOR	1	
81	C3358208910	WIRE HARNESS, CONTROLLER.....	1.....	S/N 3991116 AND BELOW
81	C3358208920	WIRE HARNESS, CONTROLLER.....	1.....	S/N 3991117 AND ABOVE
82	C3214601604	COVER	1	
83	C3214100104	BRACKET	2	
84	011008020	HEX. HEAD BOLT.....	8.....	REPLACES P/N 0016908020
85	0016312045	HEX. HEAD BOLT.....	3.....	S/N 3983476 AND ABOVE
86	031112230	WASHER, FLAT.....	3.....	REPLACES P/N 0041212000
				S/N 3983476 AND ABOVE
87	0207012000	HEX. NUT.....	3.....	S/N 3983476 AND ABOVE

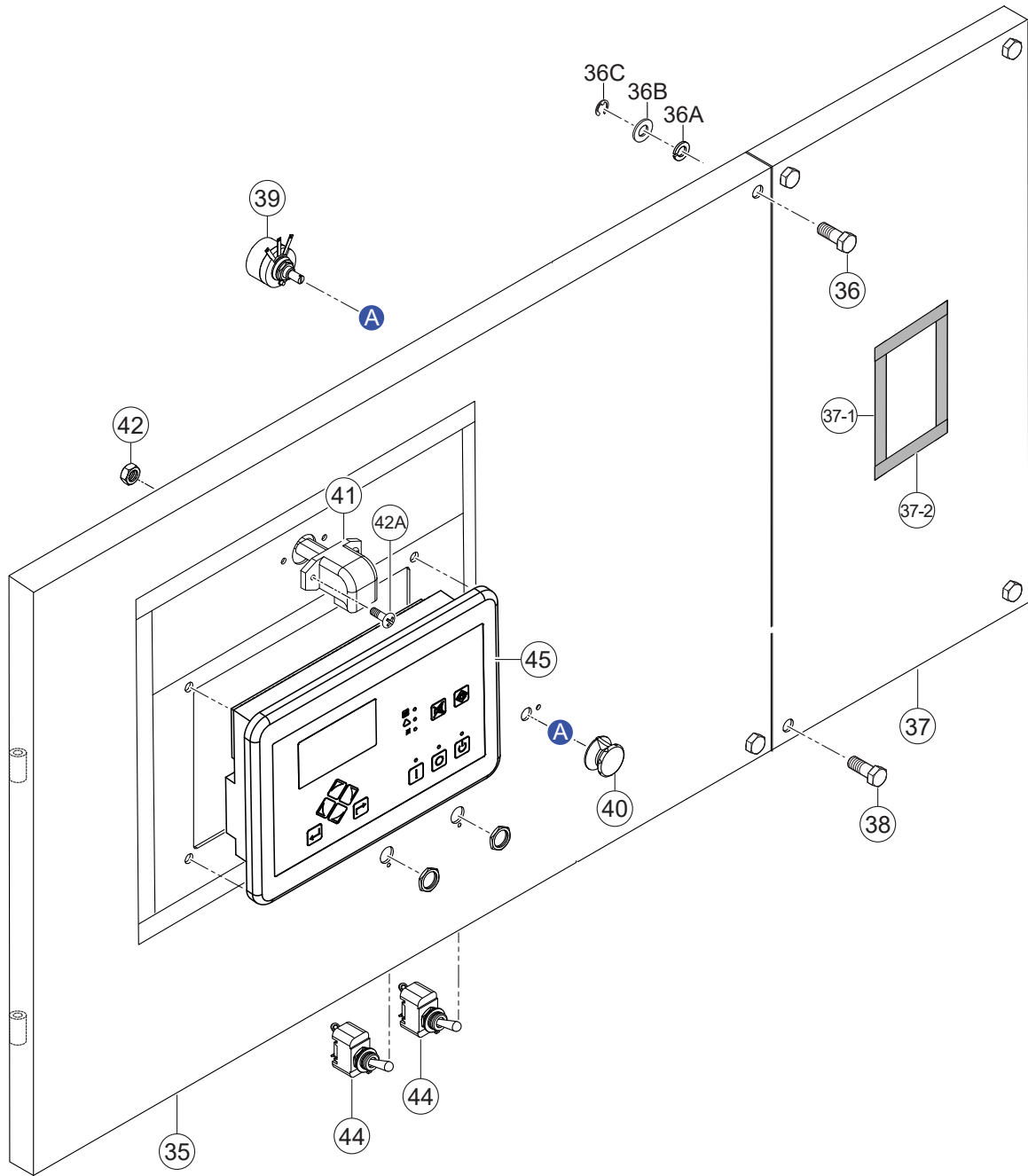
# CONTROL BOX BACK PANEL ASSY.



## CONTROL BOX BACK PANEL ASSY.

<u>NO.</u>	<u>PART NO.</u>	<u>PART NAME</u>	<u>QTY.</u>	<u>REMARKS</u>
13	C3261505703	SET PANEL, ELECTRIC PARTS	1	
14	011008020	HEX. HEAD BOLT.....	4.....	REPLACES P/N 0016908020
15	8975584810	CONTROLLER .....	1.....	REPLACES P/N Y0602203018 S/N 3970311 AND BELOW
15	8978251630	CONTROLLER .....	1.....	REPLACES P/N Y0602203016 S/N 3970312 AND ABOVE
16	C3261505904	SET PANEL, CONTROLLER	1	
17	C3261505804	SET PANEL, CONTROLLER	1	
18	011008020	HEX. HEAD BOLT.....	4.....	REPLACES P/N 0016908020
19	Y0016908015	HEX. HEAD BOLT	4	
20	8981259471	TURBO CONTROLLER.....	1.....	REPLACES P/N Y060222698
21	011206020	MACHINE SCREW.....	2.....	REPLACES P/N 0027106020
22	8975470910	DOSING CONTROL UNIT .....	1.....	REPLACES P/N Y0602203028 S/N 3970311 AND BELOW
22	8976739910	DOSING CONTROL UNIT .....	1.....	REPLACES P/N Y0602203026 S/N 3970312 AND ABOVE
23	011008020	HEX. HEAD BOLT.....	4.....	REPLACES P/N 0016908020
24	0601821370	RECTIFIER.....	1.....	REPLACES P/N 0601823240
25	0027104020	MACHINE SCREW	1	
26	8980056310	RELAY, STARTER .....	1.....	REPLACES P/N 0602201401
27	0016906015	HEX. HEAD BOLT	2	
28	8980137900	RELAY .....	2.....	REPLACES P/N 0602202682
29	Y0016905015	HEX. HEAD BOLT	2	
30	8944607061	RELAY, GLOW PLUG .....	1.....	REPLACES P/N 0602202683
31	Y0016905015	HEX. HEAD BOLT	2	

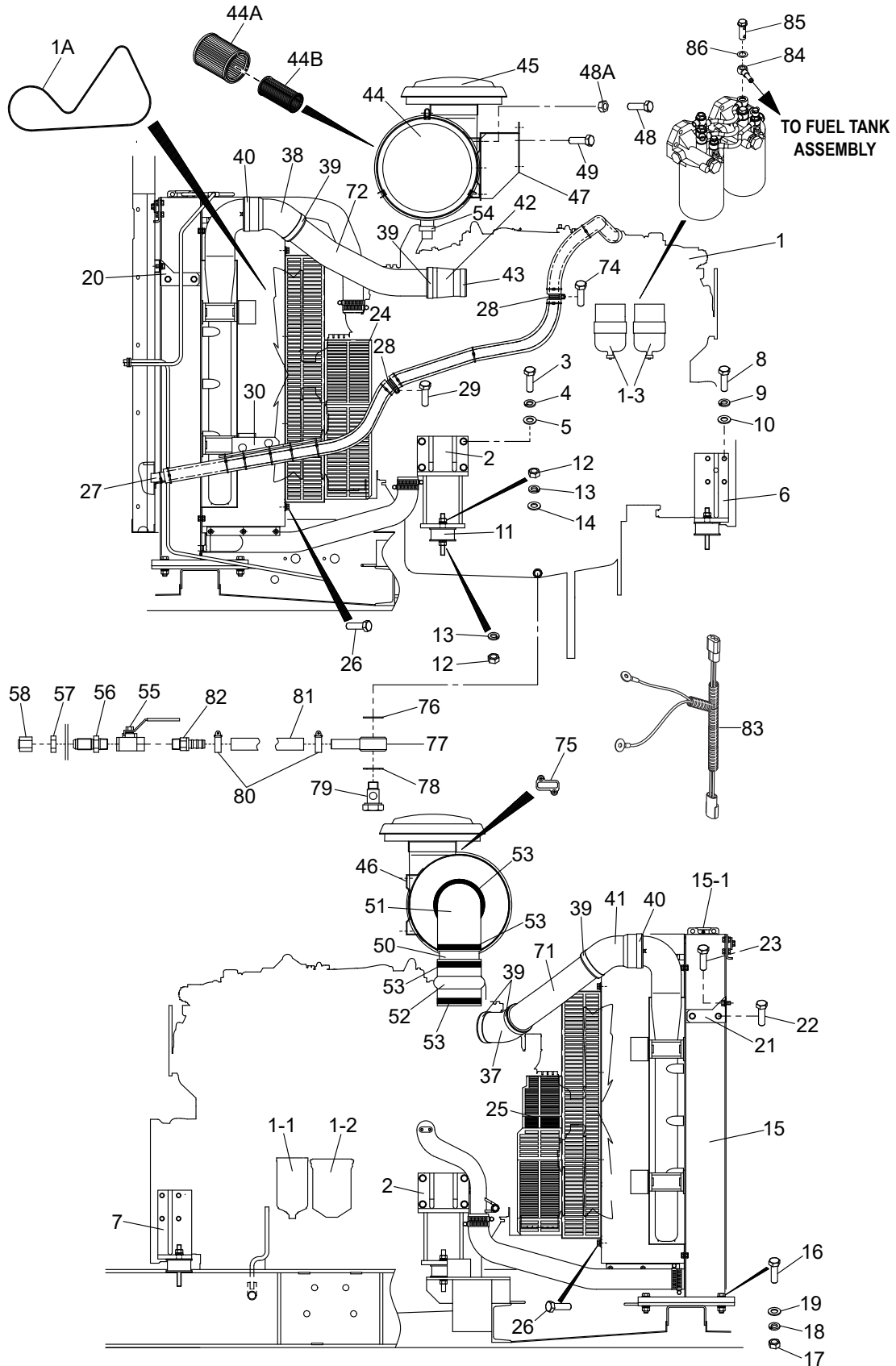
# CONTROL PANEL ASSY.



## CONTROL PANEL ASSY.

<u>NO.</u>	<u>PART NO.</u>	<u>PART NAME</u>	<u>QTY.</u>	<u>REMARKS</u>
35	C3224011103	CONTROL PANEL	1	
36	C9221100004	HEX. HEAD BOLT	2	
36A	0040008000	WASHER, LOCK	2	
36B	0401450080	WASHER, FLAT .....	2.....	REPLACES P/N 0041208000
36C	0080200007	SNAP RING	2	
37	C3224007003	CONTROL PANEL .....	1.....	S/N 3974477 AND BELOW
37	C3224011403	CONTROL PANEL .....	1.....	S/N 3974478 AND ABOVE
37-1	Y0221200115	RUBBER SEAL .....	2.....	S/N 3974477 AND BELOW
37-1	Y0221200133	RUBBER SEAL .....	2.....	S/N 3974478 AND ABOVE
37-2	Y0221200240	RUBBER SEAL .....	2.....	S/N 3974477 AND BELOW
37-2	Y0221200118	RUBBER SEAL .....	2.....	S/N 3974478 AND ABOVE
38	0019208040	HEX. HEAD BOLT	4	
39	0601840073	RHEOSTAT (VOLT. REG.), 2W 1K $\Omega$	1	
40	0601840100	KNOB .....	1.....	REPLACES P/N 0601840121
41	0601810171	PANEL LIGHT	1	
42	OEMAA8	HEX. NUT .....	2.....	REPLACES P/N 0207004000
42A	0027104020	MACHINE SCREW	2	
44	0601830710	SWITCH	2	
45	Y0602120635	CONTROLLER, DGC-2020 BASLER	1	

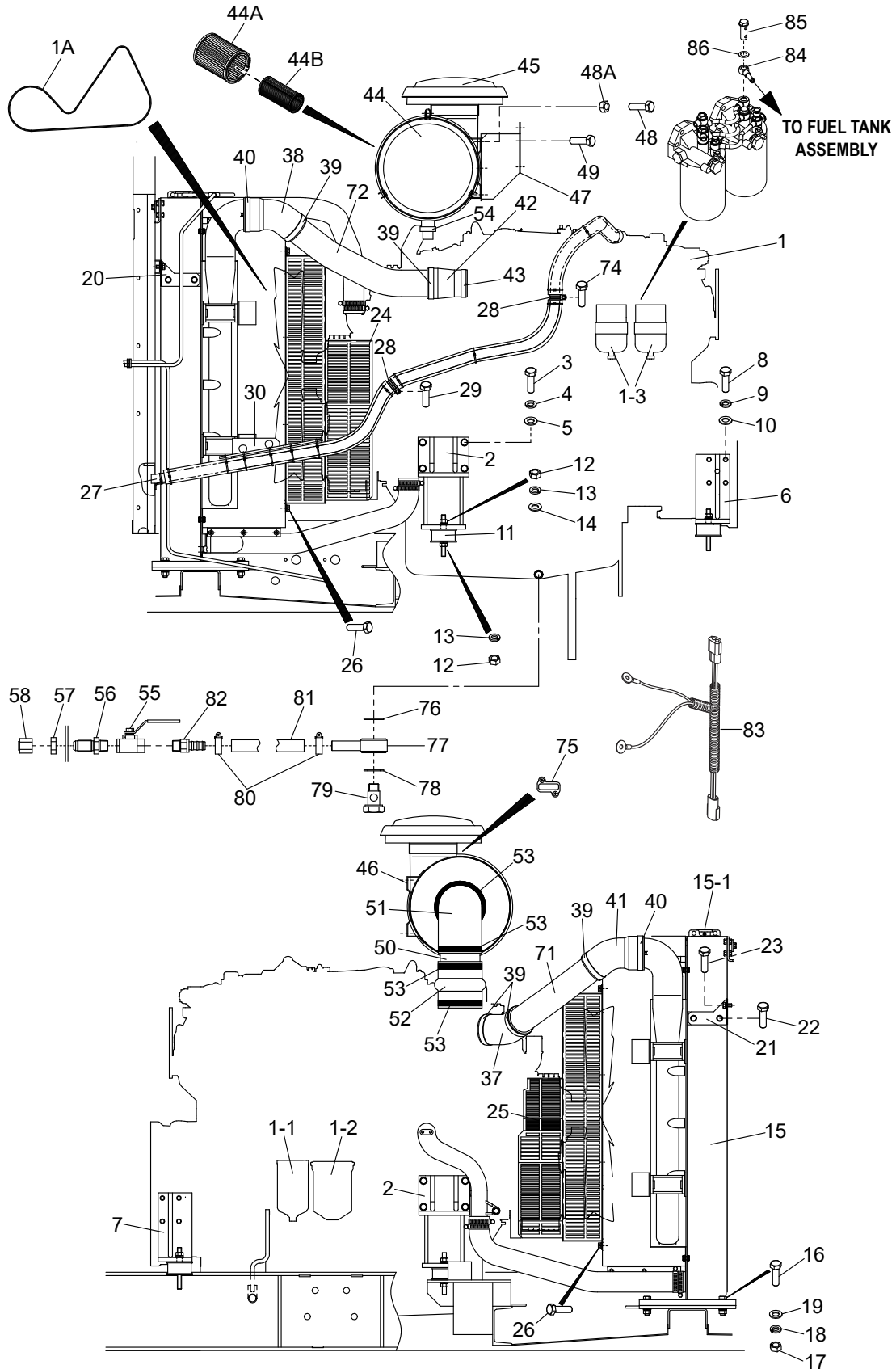
# ENGINE AND RADIATOR 1 ASSY.



## ENGINE AND RADIATOR 1 ASSY.

<u>NO.</u>	<u>PART NO.</u>	<u>PART NAME</u>	<u>QTY.</u>	<u>REMARKS</u>
1	C3924200364	ENGINE .....	1.....	INCLUDES ITEMS W/#
1A#	1136715030	FAN BELT (3 PCS. SET)	1	
1-1#	1132402330	CARTRIDGE, MAIN OIL FILTER .....	1.....	REPLACES P/N 0602041219
1-2#	1132402410	CARTRIDGE, BYPASS OIL FILTER .....	1.....	REPLACES P/N 0602041220
1-3#	8983129180	ELEMENT, SECONDARY FUEL FILTER.....	2.....	REPLACES P/N Y0602042519
2	C3303200504	ENGINE FOOT	2	
3	011214040	HEX. HEAD BOLT.....	8.....	REPLACES P/N 0010314040
4	030214350	WASHER, LOCK.....	8.....	REPLACES P/N 0040014000
5	0041614000	WASHER, FLAT	8	
6	C3303200604	ENGINE FOOT	1	
7	C3303200704	ENGINE FOOT	1	
8	0010316040	HEX. HEAD BOLT	8	
9	0040016000	WASHER, LOCK	8	
10	0401450160	WASHER, FLAT .....	8.....	REPLACES P/N 0041616000
11	0605000061	RUBBER SUSPENSION	4	
12	0030016000	HEX. NUT	8	
13	0040016000	WASHER, LOCK	8	
14	0401450160	WASHER, FLAT .....	4.....	REPLACES P/N 0041616000
15	C3924200324	RADIATOR AND INTER-COOLER ASSY. ....	1.....	INCLUDES ITEM W/%
15-1%	0602011059	CAP	2	
16	0010116065	HEX. HEAD BOLT	6	
17	0030016000	HEX. NUT	6	
18	0040016000	WASHER, LOCK	6	
19	0041216000	WASHER, FLAT	12	
20	C3311100904	BRACKET, RADIATOR (LEFT)	1	
21	C3311101004	BRACKET, RADIATOR (RIGHT)	1	
22	0017112025	HEX. HEAD BOLT	4	
23	0017112025	HEX. HEAD BOLT	2	
24	C3311200803	FAN GUARD	1	
25	C3311200903	FAN GUARD	1	
26	011008020	HEX. HEAD BOLT.....	14.....	REPLACES P/N 0016908020
27	Y0265902800	HOSE.....	1.....	S/N 3970311 AND BELOW
27	Y0265902690	HOSE.....	1.....	S/N 3970312 AND ABOVE
28	1097009470	HOSE BAND.....	2.....	REPLACES P/N Y0602014980
29	011008015	HEX. HEAD BOLT.....	1.....	REPLACES P/N 0017108015
30	C3327200503	CLAMP	1	
37	C3311500504	INTER COOLER HOSE, LOWER LS	1	
38	C3311500704A	INTER COOLER HOSE, UPPER RS .....	1.....	REPLACES P/N C3311500704
39	0605515301	HOSE BAND	5	
40	0605515292	HOSE BAND.....	2.....	REPLACES P/N Y0605515292

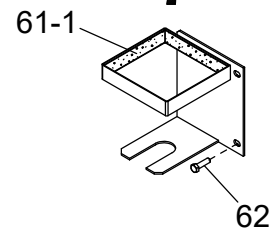
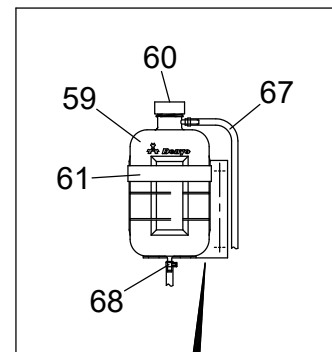
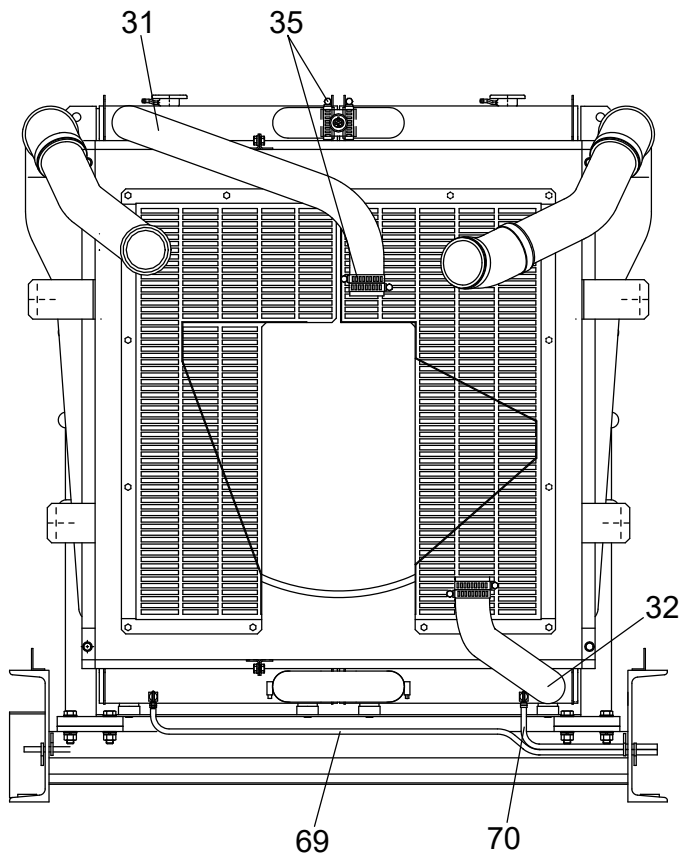
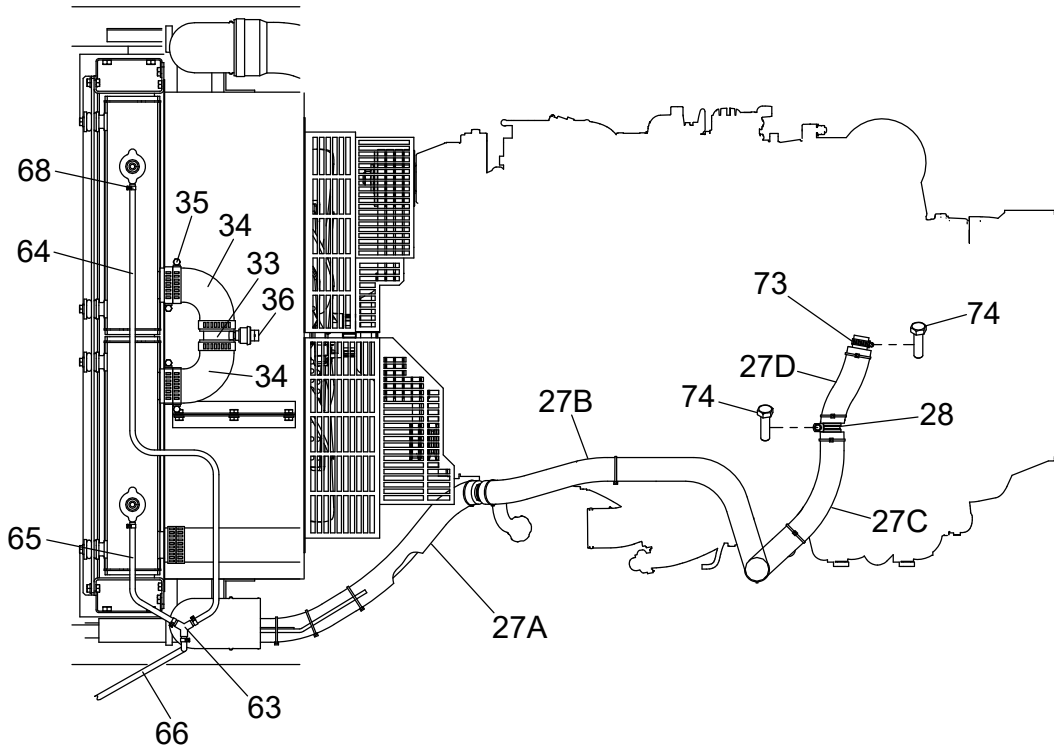
# ENGINE AND RADIATOR 1 ASSY. (CONT'D.)



## ENGINE AND RADIATOR 1 ASSY. (CONT'D.)

<u>NO.</u>	<u>PART NO.</u>	<u>PART NAME</u>	<u>QTY.</u>	<u>REMARKS</u>
41	C3311500604	INTER COOLER HOSE, UPPER LS	1	
42	C3311500804	INTER COOLER HOSE, LOWER RS	1	
43	Y0605515293	HOSE BAND.....	1	S/N 30011766 AND BELOW
43	Y0605515307	HOSE BAND.....	1	S/N 30011767 AND ABOVE
44	Y0602046591	AIR CLEANER ASSY.....	1	INCLUDES ITEMS W/\$
44A\$	P777868	ELEMENT, AIR CLEANER OUTER.....	1	REPLACES P/N 0602046628
44B\$	0602046653-1	ELEMENT, AIR CLEANER INNER.....	1	REPLACES P/N 0602046629
45	0602040779	CAP, AIR CLEANER	1	
46	0602040582	BAND, AIR CLEANER	2	
47	C3374200304	BRACKET, AIR CLEANER	1	
48	0016910025	HEX. HEAD BOLT	4	
48A	021112140	HEX. NUT.....	4	REPLACES P/N 0207010000
49	0016910025	HEX. HEAD BOLT	4	
50	C3374000104	AIR CLEANER PIPE	1	
51	Y0602040300	90° ELBOW	1	
52	Y0602040301	SINGLE HUMP	1	
53	0605515260	HOSE BAND	4	
54	0602040679	DUST SENSOR	1	
55	0605511395	BALL VALVE	1	
56	0603306590	CONNECTOR, MALE	1	
57	0603300285	LOCKNUT	1	
58	0602021070	CAP, OIL DRAIN	1	
71	C3311400003	INTER COOLER PIPE	1	
72	C3311400103	INTER COOLER PIPE	1	
74	011208025	HEX. HEAD BOLT.....	1	REPLACES P/N 0017108025
75	8976019670	SENSOR, MASS AIR FLOW.....	1	REPLACES P/N Y0602047050
76	0805013704	PACKING	1	
77	C0321300504	PIPE JOINT	1	
78	0802024004	PACKING	1	
79	3362054104	OIL DRAIN JOINT	1	
80	0605515074	HOSE BAND	2	
81	Y0192300600	HOSE	1	
82	Y0602022942	HOSE JOINT	1	
83	C3358216900	WIRE HARNESS, ENGINE.....	1	S/N 3996825 AND BELOW
83	C3358216910	WIRE HARNESS, ENGINE.....	1	S/N 3996826 AND ABOVE
84	8973834270	JOINT PIPE.....	1	REPLACES P/N 0602042661 S/N 3996826 AND ABOVE
85	1096752390	JOINT BOLT.....	1	REPLACES P/N 0602042622 S/N 3996826 AND ABOVE
86	1096301110	PACKING.....	1	REPLACES P/N 0602021708 S/N 3996826 AND ABOVE

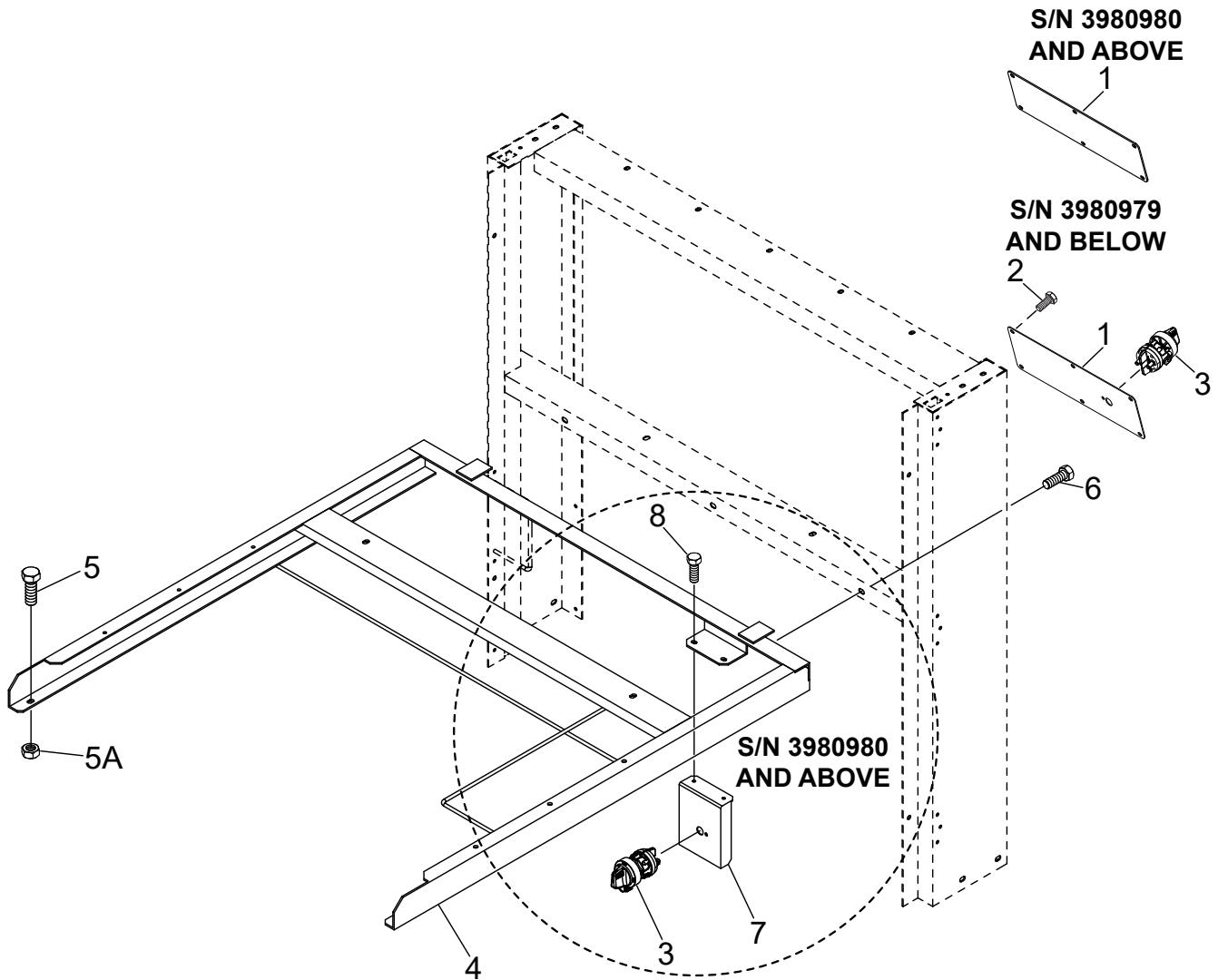
# ENGINE AND RADIATOR 2 ASSY.



## ENGINE AND RADIATOR 2 ASSY.

<u>NO.</u>	<u>PART NO.</u>	<u>PART NAME</u>	<u>QTY.</u>	<u>REMARKS</u>
27A	Y0378500200	CRANK VENT FOAM INSULATION	1	
27B	Y0378500480	CRANK VENT FOAM INSULATION	1	
27C	Y0378500800	CRANK VENT FOAM INSULATION	1	
27D	Y0378501100	CRANK VENT FOAM INSULATION	1	
28	1097009470	HOSE BAND.....	1.....	REPLACES P/N Y0602014980
31	C3311500303	RADIATOR HOSE, UPPER	1	
32	C3311500403	RADIATOR HOSE, LOWER	1	
33	C3310400004	RADIATOR PIPE	1	
34	C3310500404	RADIATOR HOSE	2	
35	0605515290	HOSE BAND	14	
36	Y0602123292	COOLANT LEVEL SWITCH	1	
59	0802081003C	RESERVE TANK.....	1.....	REPLACES P/N 0802081003
60	0802010900	CAP, RESERVE TANK.....	1.....	REPLACES P/N 0602010900
61	C3317100804	BRACKET, RESERVE TANK	1	
61-1	0229200600	RUBBER SEAL	1	
62	011008020	HEX. HEAD BOLT.....	2.....	REPLACES P/N 0016908020
63	0602022929	JOINT	1	
64	0199900800	HOSE, DRAIN	1	
65	0199900300	HOSE, SUCTION	1	
66	0199901600	HOSE, DRAIN	1	
67	Y0193602200	HOSE	1	
68	0605515170	HOSE BAND.....	6.....	REPLACES P/N 0605515106
69	0193601300	HOSE	1	
70	0193600550	HOSE	1	
73	0605515067	HOSE BAND	1	
74	011208025	HEX. HEAD BOLT.....	1.....	REPLACES P/N 0017108025

# ENGINE OPERATING PANEL ASSY.



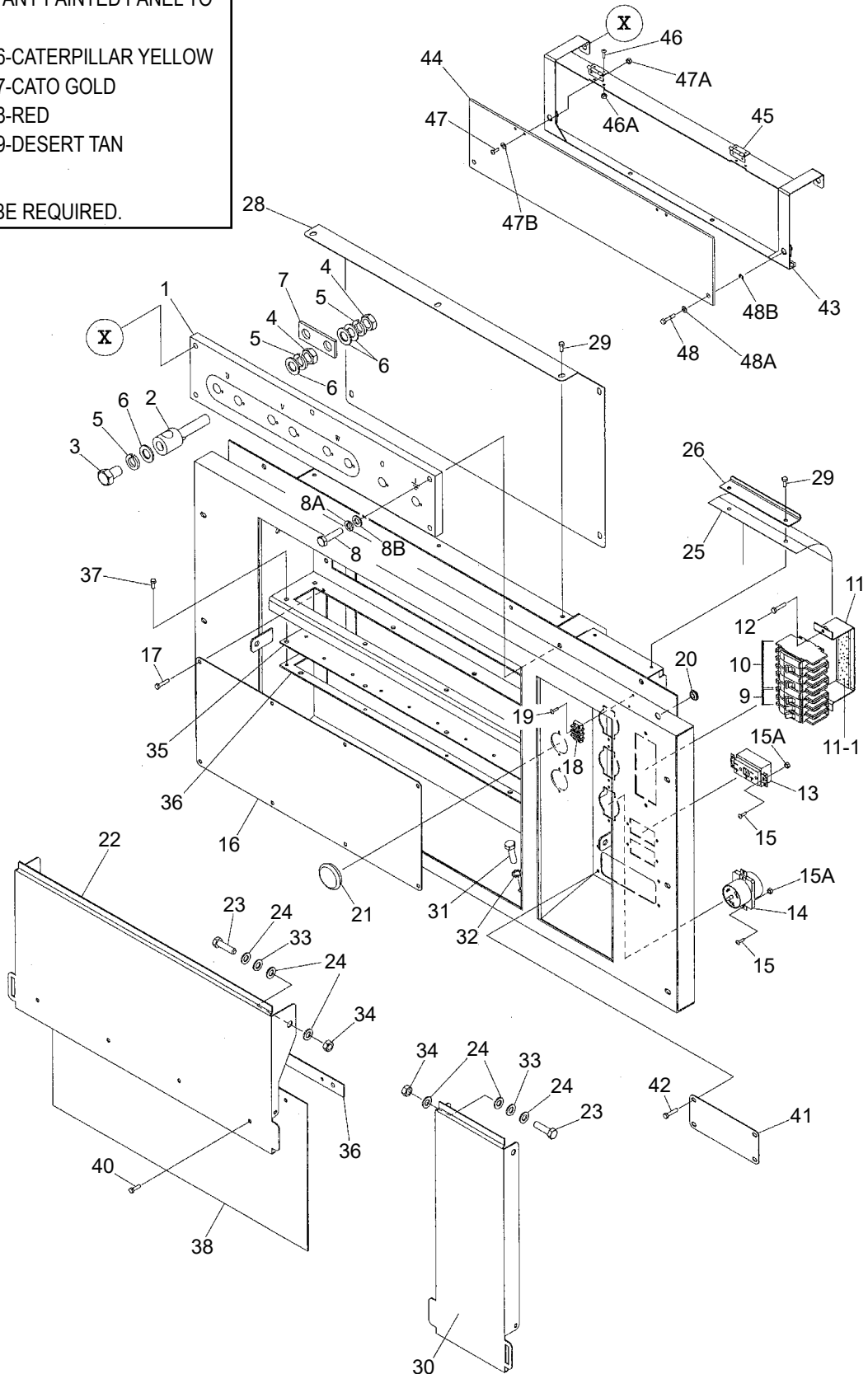
## ENGINE OPERATING PANEL ASSY.

<u>NO.</u>	<u>PART NO.</u>	<u>PART NAME</u>	<u>QTY.</u>	<u>REMARKS</u>
1	C3352102614	OPERATING PANEL.....	1.....	S/N 3980979 AND BELOW
1	C3352103704	OPERATING PANEL.....	1.....	S/N 3980980 AND ABOVE
2	011206020	HEX. HEAD BOLT.....	6.....	REPLACES P/N 0016906020
3	Y0602101070	BATTERY DISCONNECT SWITCH	1	
4	C3484002003	SUPPORT, CONTROL BOX.....	1.....	S/N 3980979 AND BELOW
4	C3484002013	SUPPORT, CONTROL BOX.....	1.....	S/N 3980980 AND ABOVE
5	012010030	HEX. HEAD BOLT.....	2.....	REPLACES P/N 0017110030
5A	021112140	HEX. NUT .....	2.....	REPLACES P/N 0207010000
6	012010030	HEX. HEAD BOLT.....	3.....	REPLACES P/N 0017110030
7	C4344000004	BRACKET, BATTERY SWITCH .....	1.....	S/N 3980980 AND ABOVE
8	011008020	HEX. HEAD BOLT.....	2.....	REPLACES P/N 0016908020 S/N 3980980 AND ABOVE

# OUTPUT TERMINAL ASSY.

ADD THE FOLLOWING DIGITS AFTER THE PART NUMBER WHEN ORDERING ANY PAINTED PANEL TO INDICATE COLOR OF UNIT:

- |                 |                      |
|-----------------|----------------------|
| 1-ORANGE        | 6-CATERPILLAR YELLOW |
| 2-WHITE         | 7-CATO GOLD          |
| 3-SPECTRUM GREY | 8-RED                |
| 4-SUNBELT GREEN | 9-DESERT TAN         |
| 5-BLACK         |                      |
- THE SERIAL NUMBER MAY BE REQUIRED.



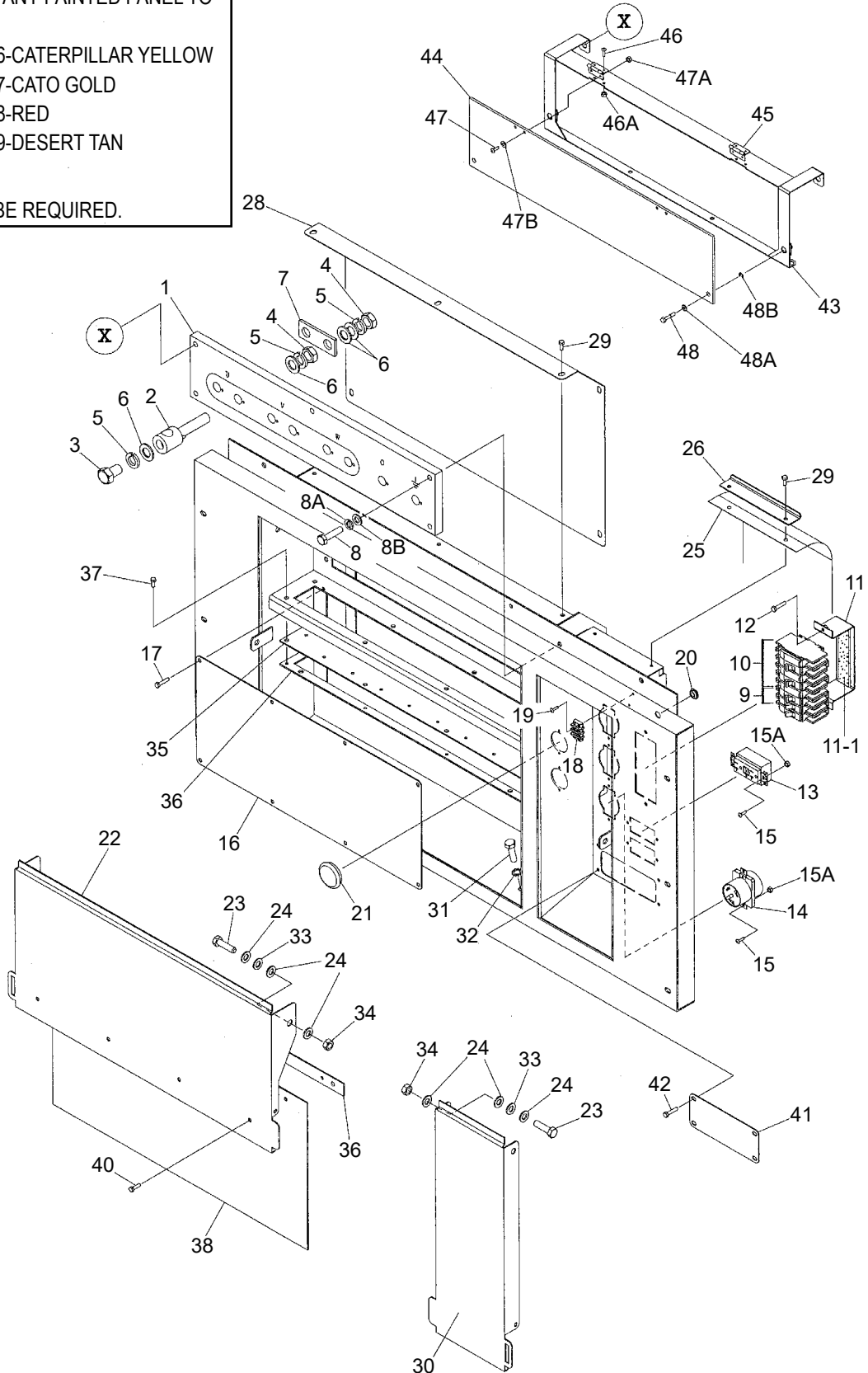
## OUTPUT TERMINAL ASSY.

<u>NO.</u>	<u>PART NO.</u>	<u>PART NAME</u>	<u>QTY.</u>	<u>REMARKS</u>
1	C2231700403	SET BOARD, OUTPUT TERMINAL	1	
2	C0277500004	OUTPUT TERMINAL	8	
3	0801830904	HEX. HEAD BOLT	8	
4	0039320000	HEX. NUT	16	
5	030220510	WASHER, LOCK.....	24	REPLACES P/N 0040020000
6	0041420000	WASHER, FLAT	32	
7	3501860604	TERMINAL PLATE	3	
8	0019110050	HEX. HEAD BOLT	5	
8A	0042310000	WASHER, LOCK	5	
8B	0042410000	WASHER, FLAT	5	
9	0601808803	CIRCUIT BREAKER, 20A	2	
10	0601808804	CIRCUIT BREAKER, 50A	3	
11	C3261600704	BRACKET, CIRCUIT BREAKER	1	
11-1	Y0228900150	RUBBER CUSHION	1	
12	0019206015	HEX. HEAD BOLT	2	
13	Y0601814034	RECEPTACLE	2	
14	0601814014	RECEPTACLE	3	
15	0025304015	MACHINE SCREW	10	
15A	OEMAA8	HEX. NUT .....	10	REPLACES P/N 0207004000
16	C3454401604	COVER	1	
17	0019206015	HEX. HEAD BOLT	8	
18	Y0601816539	TERMINAL BLOCK.....	1	REPLACES P/N 0601815194 S/N 3974477 AND BELOW
18	Y0601816539	TERMINAL BLOCK.....	1	S/N 3974478 AND ABOVE
19	0025304015	MACHINE SCREW	2	
20	0601850275	GROMMET	1	
21	0601851780	GROMMET	2	
22	C3237105103	COVER, OUTPUT TERMINAL	1	
23	0019112040	HEX. HEAD BOLT	4	
24	0042412000	WASHER, FLAT	12	
25	C3237106304	COVER	1	
26	C2237400104	BRACKET	1	
27	011206020	HEX. HEAD BOLT.....	2	REPLACES P/N 0019206020
28	C3237104903	COVER	1	
29	0019208020	HEX. HEAD BOLT	7	
30	C3237106104	COVER, OUTPUT TERMINAL	1	
31	0019210025	HEX. HEAD BOLT	1	
32	0040510000	TOOTHED WASHER	1	
33	0605050060	CONICAL LOCK WASHER	4	
34	0030012000	HEX. NUT	4	
35	C3237104804	CABLE OUTLET COVER	1	
36	C3237200004	CABLE OUTLET COVER SUPPORTER	1	
37	011206020	HEX. HEAD BOLT.....	8	REPLACES P/N 0019206020
38	C3237105004	RUBBER SHEET	1	
39	C3237200104	RUBBER SHEET HOLDER	1	
40	011206020	HEX. HEAD BOLT.....	4	REPLACES P/N 0019206020

# OUTPUT TERMINAL ASSY. (CONT'D.)

ADD THE FOLLOWING DIGITS AFTER THE PART NUMBER WHEN ORDERING ANY PAINTED PANEL TO INDICATE COLOR OF UNIT:

- |                 |                      |
|-----------------|----------------------|
| 1-ORANGE        | 6-CATERPILLAR YELLOW |
| 2-WHITE         | 7-CATO GOLD          |
| 3-SPECTRUM GREY | 8-RED                |
| 4-SUNBELT GREEN | 9-DESERT TAN         |
| 5-BLACK         |                      |
- THE SERIAL NUMBER MAY BE REQUIRED.

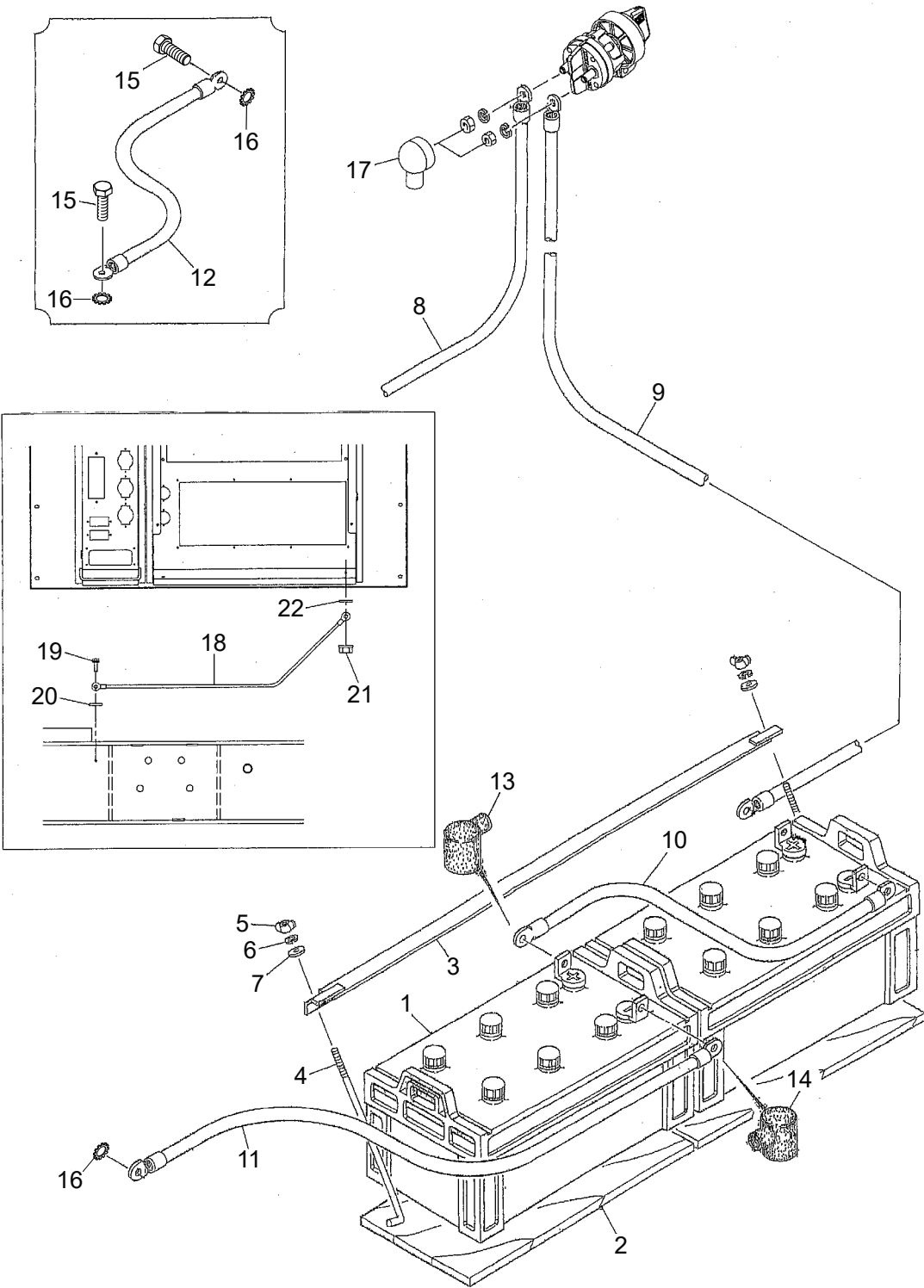


## OUTPUT TERMINAL ASSY. (CONT'D.)

---

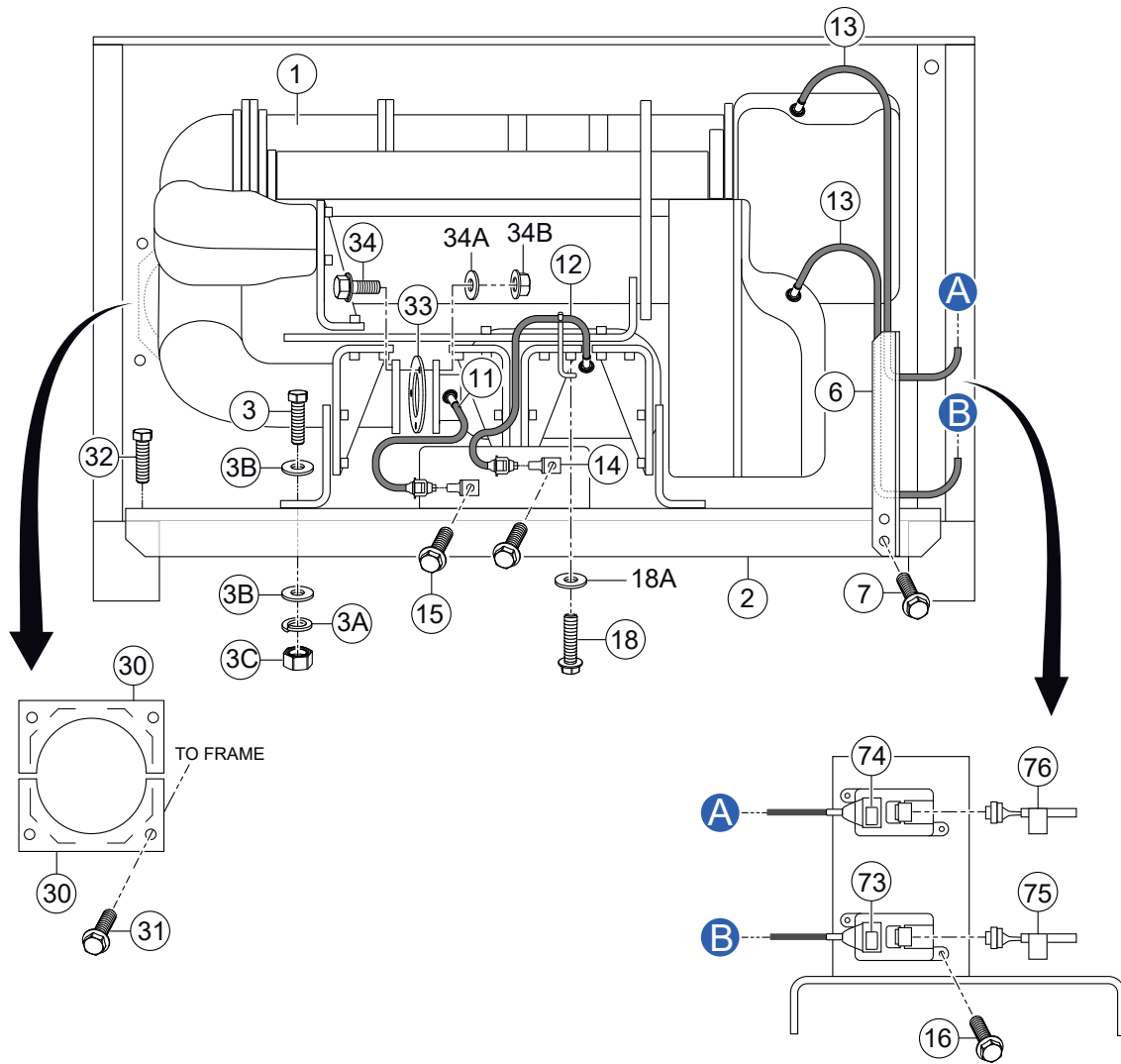
<u>NO.</u>	<u>PART NO.</u>	<u>PART NAME</u>	<u>QTY.</u>	<u>REMARKS</u>
41	C3454701704	PLATE	1	
42	011206020	HEX. HEAD BOLT.....	4.....	REPLACES P/N 0019206020
43	C3237200203	BRACKET	1	
44	M4237100004	COVER	1	
45	0605010040	HINGE	2	
46	0027103010	MACHINE SCREW	4	
46A	0207003000	HEX. NUT .....	4.....	REPLACES P/N 0030003000
47	0027103015	MACHINE SCREW	4	
47A	0207003000	HEX. NUT .....	4.....	REPLACES P/N 0030003000
47B	0041203000	WASHER, FLAT	4	
48	M9220100804	SET SCREW	2	
48A	952404470	WASHER, FLAT .....	2.....	REPLACES P/N 0041206000
48B	0080200005	SNAP RING	2	

# BATTERY ASSY.



## BATTERY ASSY.

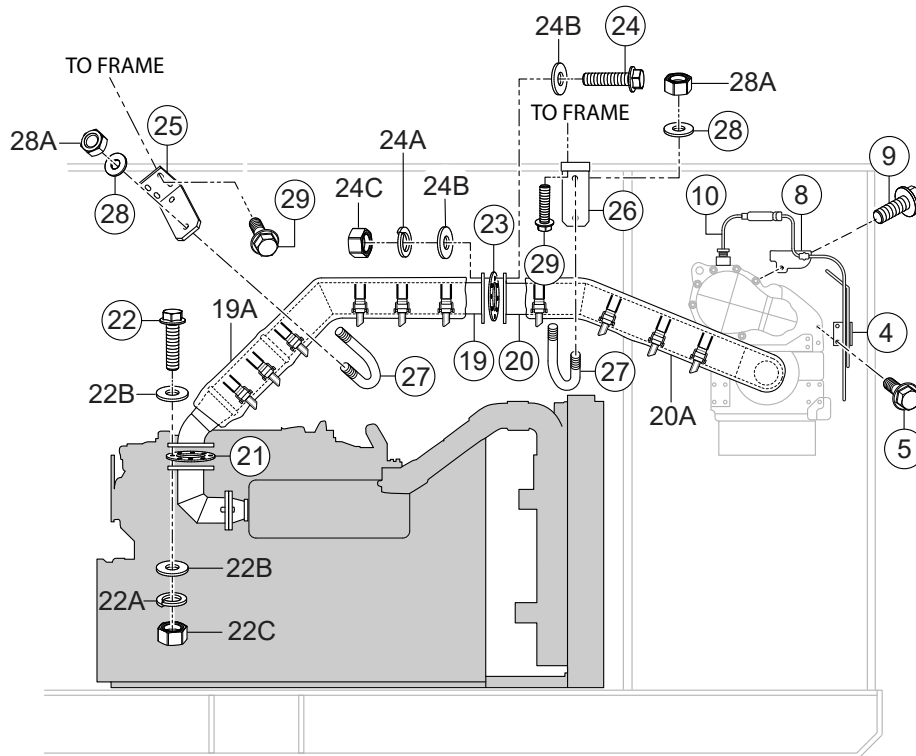
<u>NO.</u>	<u>PART NO.</u>	<u>PART NAME</u>	<u>QTY.</u>	<u>REMARKS</u>
1	EE63137	BATTERY, KIT.....	2.....	REPLACES P/N 0165721052
2	C9109100704	BATTERY SHEET	2	
3	0805006404	BATTERY BAND	1	
4	0805006504	BATTERY BOLT	2	
5	57216	WING NUT.....	2.....	REPLACES P/N 0037808000
6	0040008000	WASHER, LOCK	2	
7	0401450080	WASHER, FLAT.....	2.....	REPLACES P/N 0041608000
8	C3347604204	BATTERY CABLE	1	
9	C3347604104	BATTERY CABLE	1	
10	C6347601604	BATTERY CABLE, POSITIVE	1	
11	C3346602104	BATTERY CABLE, NEGATIVE	1	
12	C3347200904	EARTH CABLE	1	
13	0845040114	CAP, POSITIVE TERMINAL	2	
14	0845041004	CAP, NEGATIVE TERMINAL	2	
15	0017112025	HEX. HEAD BOLT	2	
16	0040512000	TOOTHED WASHER	3	
17	0845040414	TERMINAL CAP	2	
18		EARTH CABLE.....	1.....	OBTAIN LOCALLY
19	011008020	HEX. HEAD BOLT.....	1.....	REPLACES P/N 0016908020
20	0040508000	TOOTHED WASHER	1	
21	Y0207006000	HEX NUT	1	
22	0040506000	TOOTHED WASHER	1	



## DOC AND SCR ASSY.

<u>NO.</u>	<u>PART NO.</u>	<u>PART NAME</u>	<u>QTY.</u>	<u>REMARKS</u>
1	8983247100	DOC AND SCR.....	1.....	REPLACES P/N Y0602330324
2	C3331401113	BRACKET, SCR	1	
3	Y0019116050	HEX. HEAD BOLT	6	
3A	Y0042316000	WASHER, LOCK	6	
3B	0042416000	WASHER, FLAT	12	
3C	0030016000	HEX. NUT	6	
6	C3322600404	HARNESS CLAMP, SCR	1	
7	0019208020	HEX. HEAD BOLT	2	
11	8981867621	EXHAUST GAS TEMP. SENSOR, FT	1	
12	8981867621	EXHAUST GAS TEMP. SENSOR, RR	1	
13	8983023940	SENSOR, NOX.....	2.....	REPLACES P/N Y0602330473 S/N 3980979 AND BELOW
13	8978288390	SENSOR, NOX.....	2.....	REPLACES P/N Y0602330535 S/N 3980980 AND ABOVE
14	Y0602330472	BRACKET	2	
15	0019206016	HEX. HEAD BOLT	2	
16	0019206016	HEX. HEAD BOLT	4	
18	Y0341110020	HEX. HEAD BOLT	1	
18A	0041610000	WASHER, FLAT	1	
30	C3334301604	COVER, EXHAUST PIPE	2	
31	0019208020	HEX. HEAD BOLT	4	
32	0019210025	HEX. HEAD BOLT	4	
33	8976256630	GASKET .....	1.....	REPLACES P/N Y0602330476
34	0280512350	HEX. HEAD BOLT.....	3.....	REPLACES P/N Y0602330477
34A	1095560200	DISH WASHER.....	3.....	REPLACES P/N Y0602330479
34B	0911802120	HEX. NUT .....	3.....	REPLACES P/N Y0602330478
73	C9501200004	DECAL; NOX SENSOR (IN).....	1.....	C90120000
74	C9501200104	DECAL; NOX SENSOR (OUT).....	1.....	C90120010
75	C9501200204	DECAL; HARNESS (IN).....	1.....	C90120020
76	C9501200304	DECAL; HARNESS (OUT).....	1.....	C90120030

# EXHAUST PIPE ASSY.



## EXHAUST PIPE ASSY.

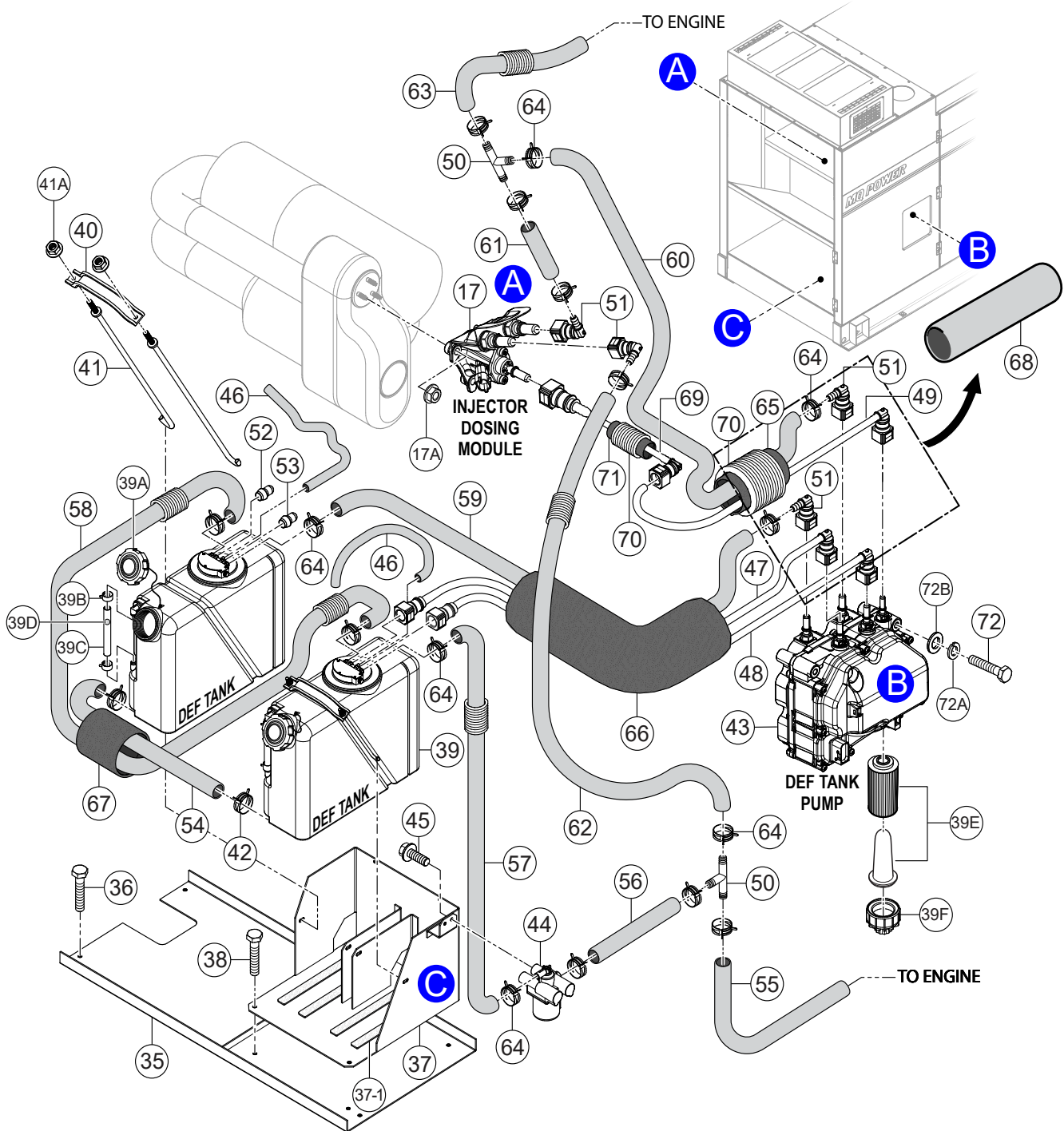
<u>NO.</u>	<u>PART NO.</u>	<u>PART NAME</u>	<u>QTY.</u>	<u>REMARKS</u>
4	C3358301904	HARNESS CLAMP	1	
5	0012410030	HEX. HEAD BOLT	2	
8	C3352800104	BRACKET	1	
9	0012410030	HEX. HEAD BOLT	1	
10	8980863290	EXHAUST GAS TEMP. SENSOR, SCR .....	1.....	REPLACES P/N Y0602330470 S/N 3991116 AND BELOW
10	Y0602330536	EXHAUST GAS TEMP. SENSOR, SCR .....	1.....	S/N 3991117 AND ABOVE
19	C3334002303	EXHAUST PIPE	1	
19A	C3334302003	WARM COVER, EXHAUST PIPE	1	
20	C3334002203	EXHAUST PIPE	1	
20A	C3334302003	WARM COVER, EXHAUST PIPE	1	
21	C9304000304	GASKET	1	
22	0010316060	HEX. HEAD BOLT	8	
22A	0042516000	WASHER, LOCK	8	
22B	0401450160	WASHER, FLAT .....	16.....	REPLACES P/N 0041616000
22C	0030316000	HEX. NUT	8	
23	C9304000704	GASKET	1	
24	012212045	HEX. HEAD BOLT.....	6.....	REPLACES P/N 0019112045
24A	0040012000	WASHER, LOCK	6	
24B	031112230	WASHER, FLAT .....	12.....	REPLACES P/N 0041612000
24C	0039312000	HEX. NUT .....	6.....	REPLACES P/N 0030312000
25	C3334301804	BRACKET, EXHAUST PIPE	1	
26	C3334301904	BRACKET	1	
27	Y0603320171	U-BOLT	2	
28	031110160	WASHER, FLAT .....	4.....	REPLACES P/N 0041210000
28A	021110120	HEX. NUT .....	4.....	REPLACES P/N 0037910000
29	0019208025	HEX. HEAD BOLT	6	



## DEF TANK ASSY.

<u>NO.</u>	<u>PART NO.</u>	<u>PART NAME</u>	<u>QTY.</u>	<u>REMARKS</u>
17	8982318983	DOSING MODULE .....	1.....	REPLACES P/N Y0602330474
17A	0911801060	HEX. HEAD NUT .....	3.....	REPLACES P/N Y0602330480
35	C3484400103	STAND, UREA WATER TANK	1	
36	0019208020	HEX. HEAD BOLT	4	
37	C3484501303	BRACKET, UREA WATER TANK	1	
37-1	Y0222100480	RUBBER SEAL	1	
38	0019208020	HEX. HEAD BOLT	4	
39	8982861764	DEF TANK .....	2.....	REPLACES P/N Y0602330440 S/N 3991116 AND BELOW
39	0602330537	DEF TANK .....	2.....	S/N 3991117 AND ABOVE
39A	8981202622	CAP ASSY. FILLER, DEF TANK .....	1.....	S/N 3991116 AND BELOW
39B	8981202651	CLAMP, WATER LEVEL HOSE .....	2.....	S/N 3991116 AND BELOW
39C	8981202641	LEVEL HOSE, DEF TANK .....	1.....	S/N 3991116 AND BELOW
39D	8982041630	INDICATOR, WATER LEVEL.....	1.....	S/N 3991116 AND BELOW
39E	8983507160	FILTER KIT, PUMP ASSY. DEF DCM SPLY.....	1.....	S/N 3991116 AND BELOW
39F	8981694080	COVER KIT, PUMP ASSY. DEF DCM SPLY.....	1.....	S/N 3991116 AND BELOW
40	8981567470	BAND, DEF TANK.....	2.....	REPLACES P/N Y0602330441
41	8981579360	BOLT, DEF TANK.....	4.....	REPLACES P/N 0602330442
41A	0911801100	HEX. NUT .....	4.....	REPLACES P/N Y0602330443
42	8970106050	HOSE CLAMP .....	2.....	REPLACES P/N Y0602330444
43	8982264734	MODULE.....	1.....	REPLACES P/N Y0602330522
44	8976289561	COOLANT CONTROL VALVE .....	1.....	REPLACES P/N Y0602330446
45	0019208020	HEX. HEAD BOLT	2	
46	Y0193200400	HOSE	2	
47	4B1010	HOSE, DEF TANK .....	1.....	REPLACES P/N Y0602330450
48	4B1016	HOSE, DEF TANK .....	1.....	REPLACES P/N Y0602330451
49	4B1012	HOSE, DEF TANK .....	1.....	REPLACES P/N Y0602330452
50	4B1015	HOSE JOINT .....	2.....	REPLACES P/N Y0602330454
51	4B1014	CONNECTOR.....	4.....	REPLACES P/N Y0602330453
52	4B1017	CAP.....	1.....	REPLACES P/N Y0602330455
53	4B1018	CAP.....	1.....	REPLACES P/N Y0602330456
54	4B1009	HOSE, DEF TANK .....	1.....	REPLACES P/N Y0602330460
55	Y0377104050	HOSE	1	
56	Y0377100200	HOSE	1	
57	Y0377101100	HOSE	1	
58	Y0377102300	HOSE	1	
59	Y0377101040	HOSE	1	
60	Y0377102000	HOSE	1	
61	Y0377100080	HOSE	1	
62	Y0377101750	HOSE	1	
63	Y0377105150	HOSE	1	
64	Y0605515227	HOSE CLAMP	18	
65	Y0378701800	TUBE	1	

# DEF TANK ASSY. (CONT'D.)

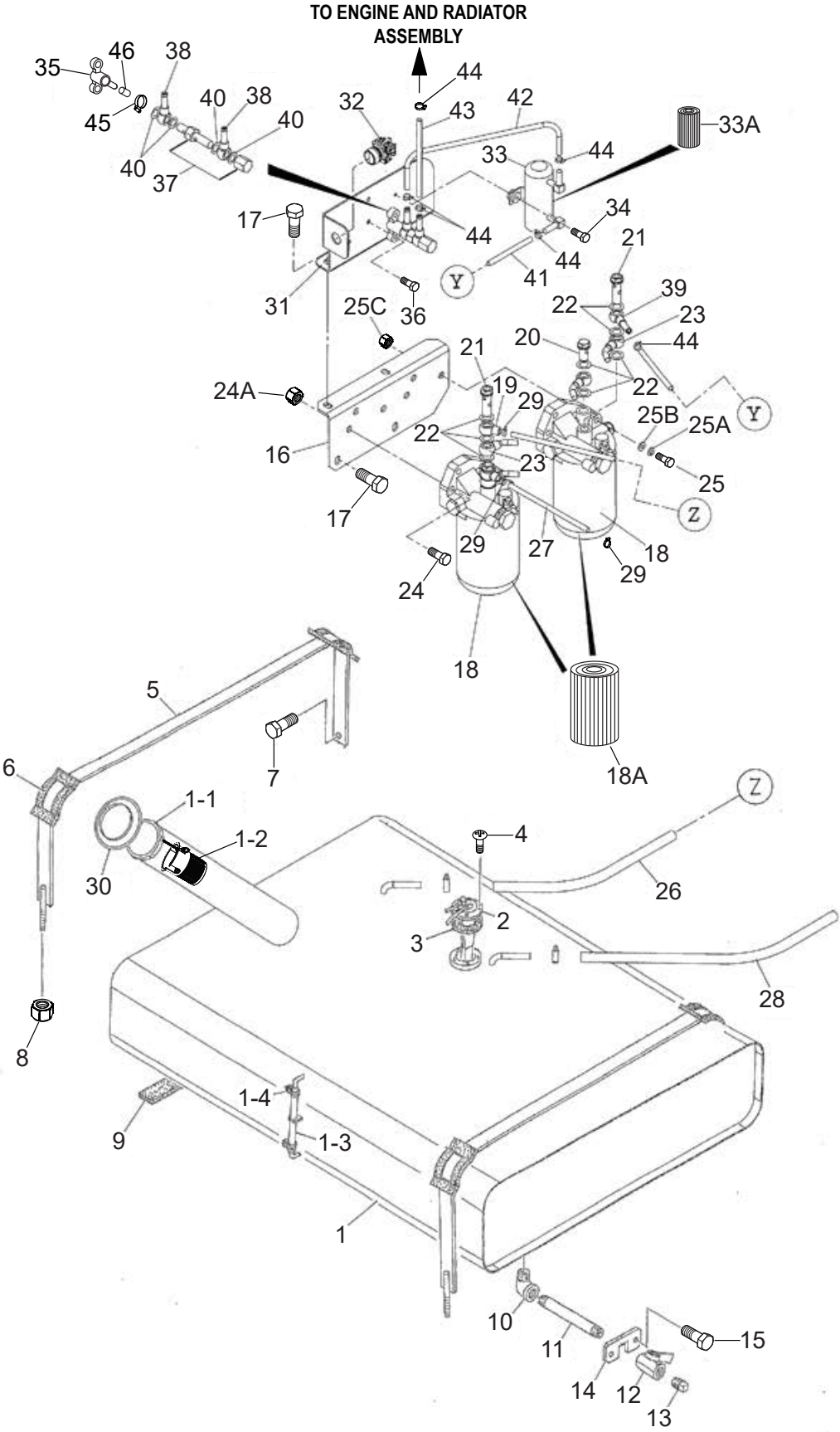


## DEF TANK ASSY. (CONT'D.)

---

<u>NO.</u>	<u>PART NO.</u>	<u>PART NAME</u>	<u>QTY.</u>	<u>REMARKS</u>
66	Y0378700600	TUBE	1	
67	Y0378800400	TUBE	1	
68	Y0378800250	TUBE, INSULATION	1	
69	Y0378900180	TUBE	1	
70	Y0401001650	TUBE	1	
71	Y0401000180	TUBE	1	
72	0016308095	HEX. HEAD BOLT	3	
72A	0040008000	WASHER, LOCK	3	
72B	0401450080	WASHER, FLAT .....	3.....	REPLACES P/N 0041208000

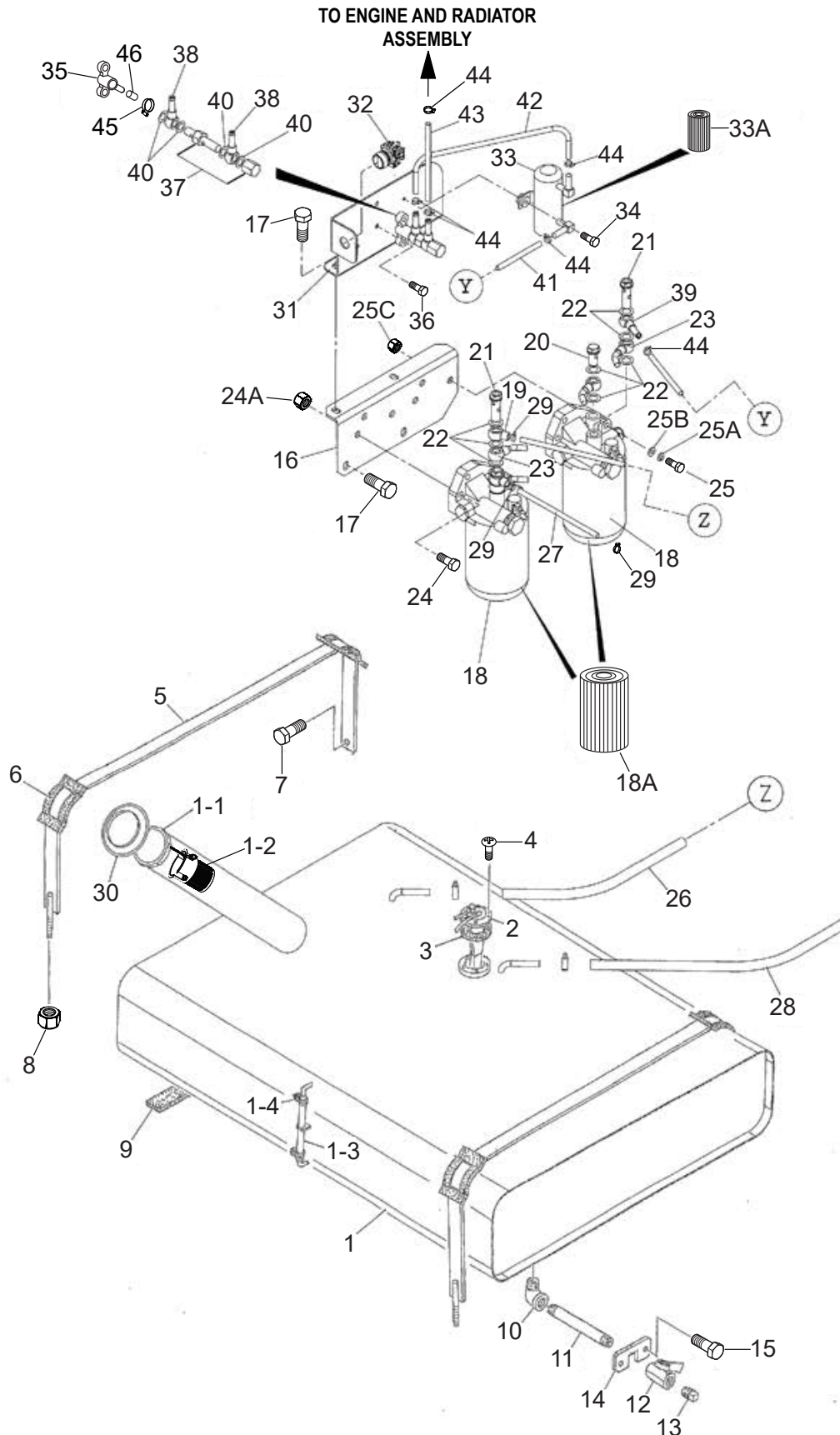
# FUEL TANK ASSY.



## FUEL TANK ASSY.

<u>NO.</u>	<u>PART NO.</u>	<u>PART NAME</u>	<u>QTY.</u>	<u>REMARKS</u>
1	C3364003003	FUEL TANK.....	1.....	INCLUDES ITEMS W/#
1-1#	0810105004	CAP, FUEL TANK.....	1.....	REPLACES P/N Y0605505025
1-2#	0605505105	FUEL FILTER	1	
1-3#	0264100525	HOSE, FUEL GAUGE	1	
1-4#	0605515079	HOSE BAND	2	
2	0605501015	FUEL SENDER	1	
3	Y0605516090	GASKET	1	
4	0022905015	MACHINE SCREW	5	
5	C3364200504	TANK BAND	2	
6	0805003414	PAD, TANK BAND	4	
7	011008020	HEX. HEAD BOLT.....	2.....	REPLACES P/N 0016908020
8	0207608000	LOCK NUT	2	
9	0222100300	TANK SHEET	6	
10	0130206000	90° ELBOW, 1/2	1	
11	0134306220	DRAIN PIPE	1	
12	Y0603325007	VALVE	1	
13	0132006000	PLUG, 1/2	1	
14	C1367700304	LOCK PLATE	1	
15	0019208020	HEX. HEAD BOLT	2	
16	C3367701004	BRACKET	1	
17	0016910025	HEX. HEAD BOLT	4	
18	8980758555	FUEL FILTER ASSY., PRIMARY.....	2.....	INCLUDES ITEMS W/%
				REPLACES P/N 0602042405
18A%	8980742881	ELEMENT, FUEL FILTER, PRIMARY.....	2.....	REPLACES P/N 0602042516
19	8980955010	JOINT PIPE.....	2.....	REPLACES P/N 0602042662
20	1096750951	JOINT BOLT.....	2.....	REPLACES P/N 0602042621
				S/N 3996825 AND BELOW
20	1096750951	JOINT BOLT.....	1.....	REPLACES P/N 0602042621
				S/N 3996826 AND ABOVE
21	1096752390	JOINT BOLT.....	2.....	REPLACES P/N Y0602042622
				S/N 3996825 AND BELOW
21	1096752390	JOINT BOLT.....	3.....	REPLACES P/N Y0602042622
				S/N 3996826 AND ABOVE
22	1096301110	PACKING.....	10.....	REPLACES P/N Y0602021708
				S/N 3996825 AND BELOW
22	1096301110	PACKING.....	11.....	REPLACES P/N Y0602021708
				S/N 3996826 AND ABOVE
23	1154168750	FUEL PIPE.....	2.....	REPLACES P/N Y0602042663
24	014210040	HEX. HEAD BOLT.....	4.....	REPLACES P/N 0017110040
24A	021112140	HEX. NUT.....	4.....	REPLACES P/N 0207010000
25	0010110075	HEX. HEAD BOLT	2	
25A	0040010000	WASHER, LOCK	2	
25B	0041610000	WASHER, FLAT.....	2.....	REPLACES P/N Y0041210000
25C	021112140	HEX. NUT.....	2.....	REPLACES P/N 0207010000

# FUEL TANK ASSY. (CONT'D.)



## FUEL TANK ASSY. (CONT'D.)

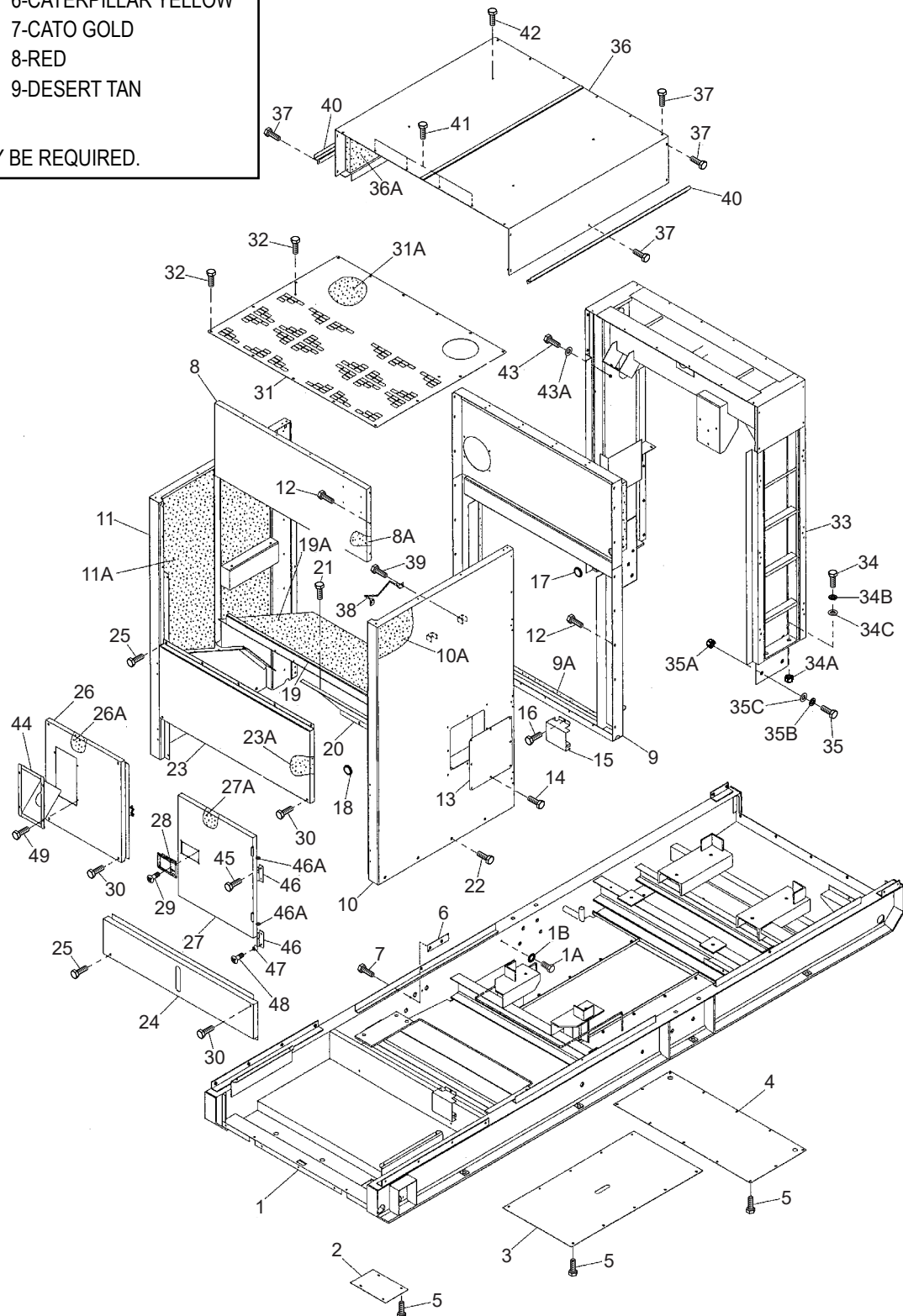
<u>NO.</u>	<u>PART NO.</u>	<u>PART NAME</u>	<u>QTY.</u>	<u>REMARKS</u>
26	Y0191402600	SUCTION HOSE	1	
27	0191400500	SUCTION HOSE	1	
28	Y0191403050	RETURN HOSE	1	
29	0605515132	HOSE BAND	6	
30	0845039604	RUBBER SEAL	1	
31	C3367703104	BRACKET, FUEL PUMP .....	1.....	S/N 3996826 AND ABOVE
32	Y0601831518	SWITCH, FUEL PUMP .....	1.....	S/N 3996826 AND ABOVE
33	8980093971	FUEL PUMP.....	1.....	INCLUDES ITEMS W/\$ REPLACES P/N 0602023241 S/N 3996826 AND ABOVE
33A\$	8980714010	ELEMENT, FUEL PUMP .....	1.....	REPLACES P/N 0602042517 S/N 3996826 AND ABOVE
34	0016906030	HEX. HEAD BOLT.....	2.....	S/N 3996826 AND ABOVE
35	8980387760	BRACKET, CHECK VALVE.....	1.....	REPLACES P/N 0602023330 S/N 3996826 ~ 30007082
35	Y0602023331	BRACKET, CHECK VALVE.....	1.....	S/N 30007083 AND ABOVE
36	011208030	HEX. HEAD BOLT.....	2.....	REPLACES P/N 0016908030 S/N 3996826 AND ABOVE
37	8981799600	CHECK VALVE .....	1.....	REPLACES P/N 0602023420 S/N 3996826 AND ABOVE
38	5154112231	JOINT PIPE .....	2.....	REPLACES P/N 0602022222 S/N 3996826 AND ABOVE
39	8973834270	JOINT PIPE .....	1.....	REPLACES P/N 0602042661 S/N 3996826 AND ABOVE
40	1096300850	PACKING .....	4.....	REPLACES P/N 0602021700 S/N 3996826 AND ABOVE
41	0191300600	HOSE.....	1.....	S/N 3996826 AND ABOVE
42	0191300350	HOSE.....	1.....	S/N 3996826 ~ 30000628
42	0191300400	HOSE.....	1.....	S/N 30000629 AND ABOVE
43	0191301000	HOSE.....	1.....	S/N 3996826 AND ABOVE
44	0605515109	HOSE BAND.....	6.....	S/N 3996826 AND ABOVE
45	Y0605515351	CLAMP.....	1.....	S/N 30007083 AND ABOVE
46	Y0605515400	RUBBER CAP.....	1.....	S/N 30007083 AND ABOVE

# ENCLOSURE 1 ASSY.

ADD THE FOLLOWING DIGITS AFTER THE PART NUMBER WHEN ORDERING ANY PAINTED PANEL TO INDICATE COLOR OF UNIT:

- |                 |                      |
|-----------------|----------------------|
| 1-ORANGE        | 6-CATERPILLAR YELLOW |
| 2-WHITE         | 7-CATO GOLD          |
| 3-SPECTRUM GREY | 8-RED                |
| 4-SUNBELT GREEN | 9-DESERT TAN         |
| 5-BLACK         |                      |

THE SERIAL NUMBER MAY BE REQUIRED.



## ENCLOSURE 1 ASSY.

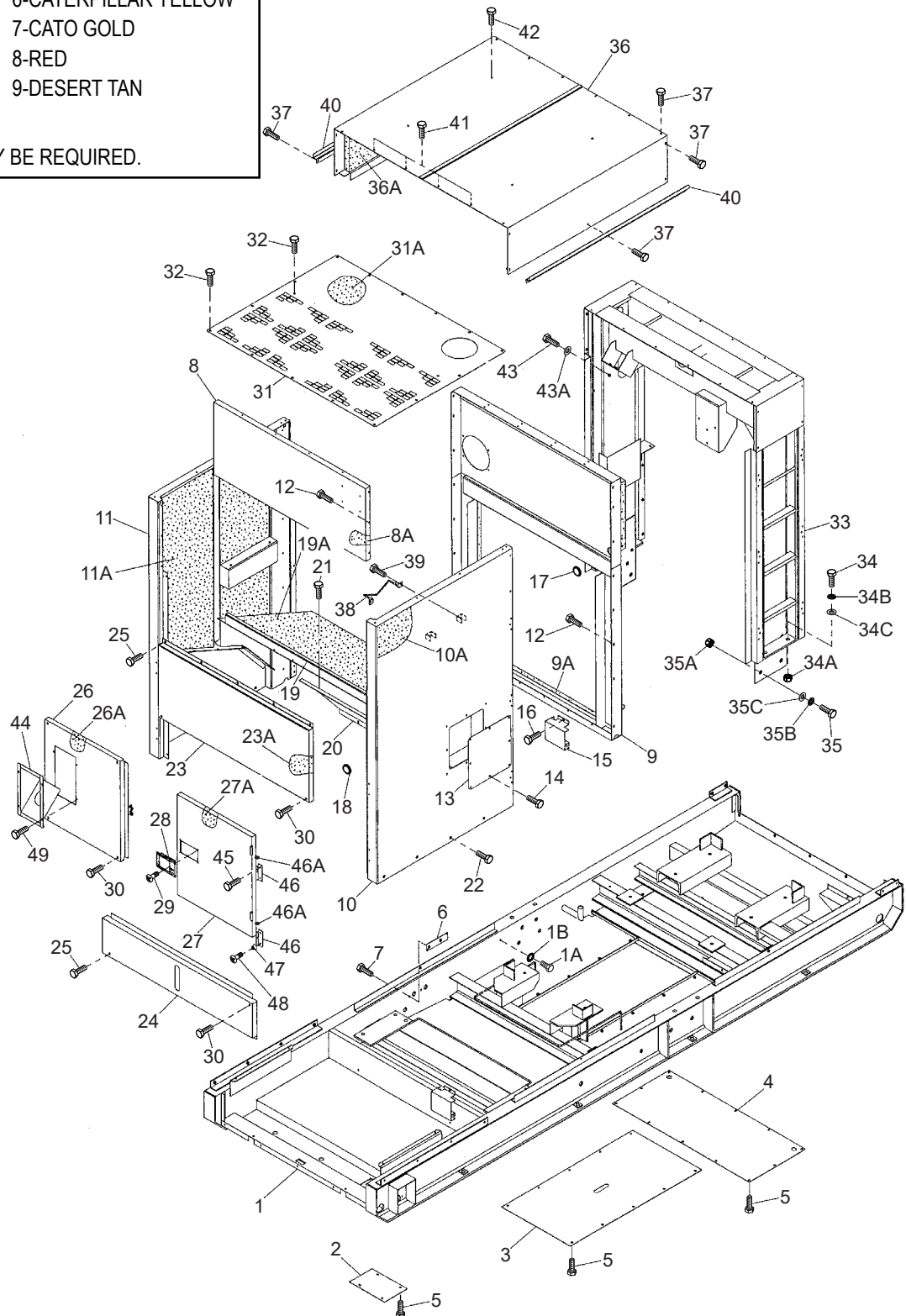
<u>NO.</u>	<u>PART NO.</u>	<u>PART NAME</u>	<u>QTY.</u>	<u>REMARKS</u>
1	C3414006312	BASE	1	
1A	011008020	HEX. HEAD BOLT.....	1	REPLACES P/N 0016908020
1B	0040508000	TOOTHED WASHER	1	
2	C3414100104	FLOOR PANEL	1	
3	C3413100304	FLOOR PANEL	1	
4	C3414100804	FLOOR PANEL	1	
5	0019208020	HEX. HEAD BOLT	26	
6	C3414805104	COVER	1	
7	0019208025	HEX. HEAD BOLT	2	
8	C3424006303	FRONT FRAME (FRONT)	1	
8A	C3494103503	LINING	1	
9	C3424006402	FRONT FRAME (REAR)	1	
9A	C3494103503	LINING	1	
10	C3424006502	FRONT FRAME (LEFT)	1	
10A	C3494103503	LINING	1	
11	C3424006602	FRONT FRAME (RIGHT)	1	
11A	C3494103503	LINING	1	
12	0019208020	HEX. HEAD BOLT	22	
13	C3424700904	COVER, FRONT	1	
14	0019208020	HEX. HEAD BOLT	8	
15	C3327200604	COVER	1	
16	011008020	HEX. HEAD BOLT.....	2	REPLACES P/N 0016908020
17	0601851762	GROMMET	1	
18	0601851718	GROMMET	1	
19	C3424301703	GUIDE PANEL, AIR	1	
19A	C3494103503	LINING	1	
20	C3424301803	GUIDE PANEL, AIR (REAR)	1	
21	0019208020	HEX. HEAD BOLT	24	
22	0019210025	HEX. HEAD BOLT	8	
23	C3424100003	FRONT PANEL (UPPER)	1	
23A	C3494103604	LINING	1	
24	C3424100203	FRONT PANEL (LOWER)	1	
25	0019208020	HEX. HEAD BOLT	10	
26	C3424100103	FRONT PANEL (INNER)	1	
26A	C3494103704	LINING	1	
27	C3424600203	DOOR, FRONT FRAME	1	
27A	C3494103804	LINING	1	
28	B9114000002	DOOR HANDLE	1	
29	0021806015	MACHINE SCREW	4	
30	0019208065	HEX. HEAD BOLT	8	
31	C3424205103	COVER, FRONT FRAME	1	
31A	C3497100004	LINING	1	
32	0019208020	HEX. HEAD BOLT	17	
33	C3434002612	CENTER FRAME	1	
34	0010120065	HEX. HEAD BOLT	4	
34A	0030020000	HEX. NUT	4	

# ENCLOSURE 1 ASSY. (CONT'D.)

ADD THE FOLLOWING DIGITS AFTER THE PART NUMBER WHEN ORDERING ANY PAINTED PANEL TO INDICATE COLOR OF UNIT:

- |                 |                      |
|-----------------|----------------------|
| 1-ORANGE        | 6-CATERPILLAR YELLOW |
| 2-WHITE         | 7-CATO GOLD          |
| 3-SPECTRUM GREY | 8-RED                |
| 4-SUNBELT GREEN | 9-DESERT TAN         |
| 5-BLACK         |                      |

THE SERIAL NUMBER MAY BE REQUIRED.

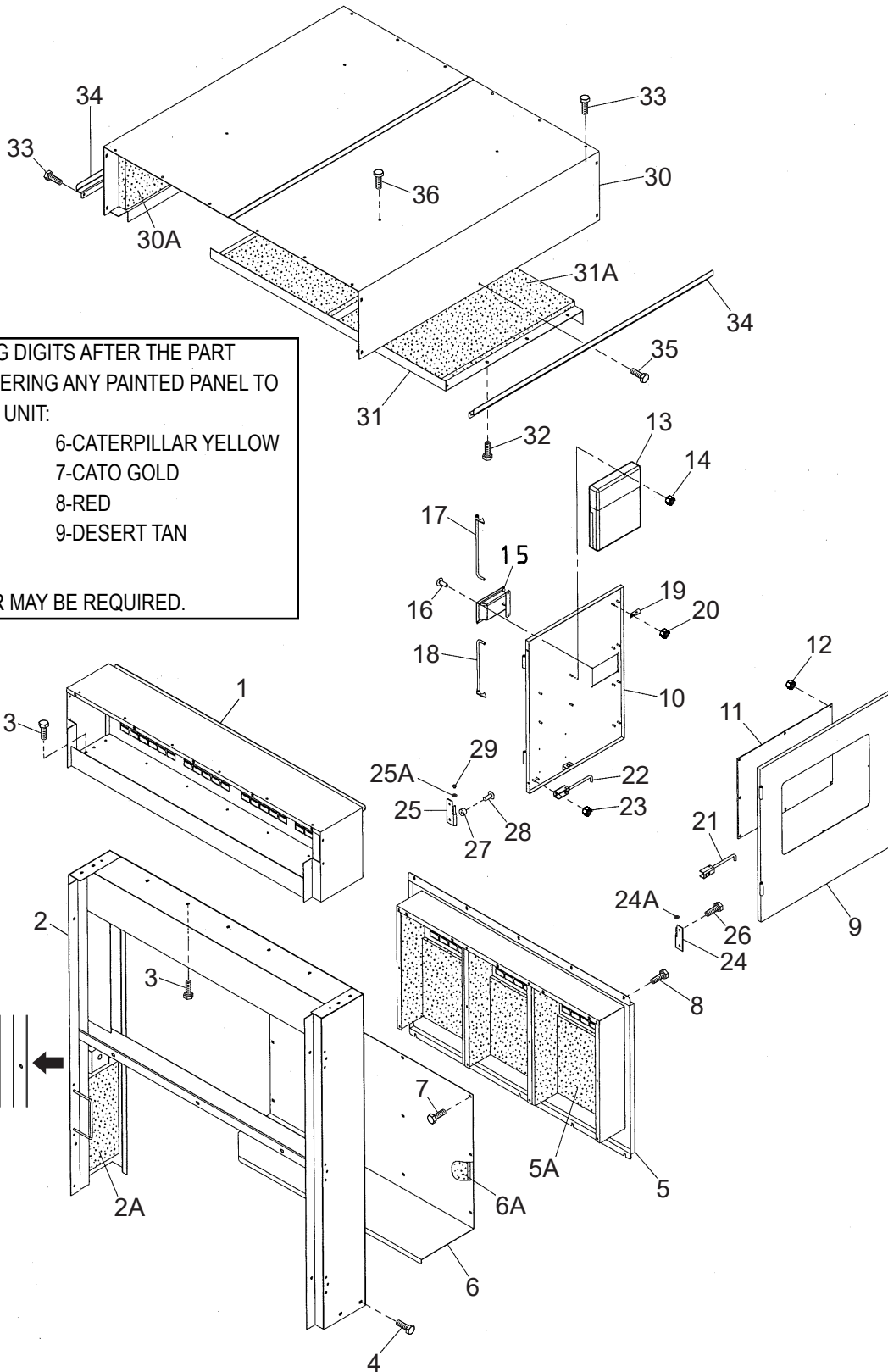


## ENCLOSURE 1 ASSY. (CONT'D.)

---

<u>NO.</u>	<u>PART NO.</u>	<u>PART NAME</u>	<u>QTY.</u>	<u>REMARKS</u>
34B	030220510	WASHER, LOCK.....	4.....	REPLACES P/N 0040020000
34C	0401450200	WASHER, FLAT.....	8.....	REPLACES P/N 0041620000
35	0010120055	HEX. HEAD BOLT	8	
35A	0030020000	HEX. NUT	8	
35B	030220510	WASHER, LOCK.....	8.....	REPLACES P/N 0040020000
35C	0401450200	WASHER, FLAT.....	16.....	REPLACES P/N 0041620000
36	C3464101702	ROOF PANEL (FRONT)	1	
36A	C3494503503	LINING	1	
37	0019208020	HEX. HEAD BOLT	18	
38	C3322600503	PIPE CLAMP	1	
39	0019208020	HEX. HEAD BOLT	2	
40	C3463500204	GUTTER	2	
41	0019208025	HEX. HEAD BOLT	4	
42	0019210025	HEX. HEAD BOLT	4	
43	0019116025	HEX. HEAD BOLT	1	
43A	0042416000	WASHER, FLAT	1	
44	0845042703	BRACKET FILLER	1	
45	0019208020	HEX. HEAD BOLT	3	
46	M9110100304	HINGE, MALE (R).....	2.....	REPLACES P/N 0845047204
46A	0845045004	WASHER	2	
47	0601850097	STOPPER	1	
48	0025408025	MACHINE SCREW	1	
49	0019208020	HEX. HEAD BOLT	4	

# ENCLOSURE 2 ASSY.



ADD THE FOLLOWING DIGITS AFTER THE PART NUMBER WHEN ORDERING ANY PAINTED PANEL TO INDICATE COLOR OF UNIT:

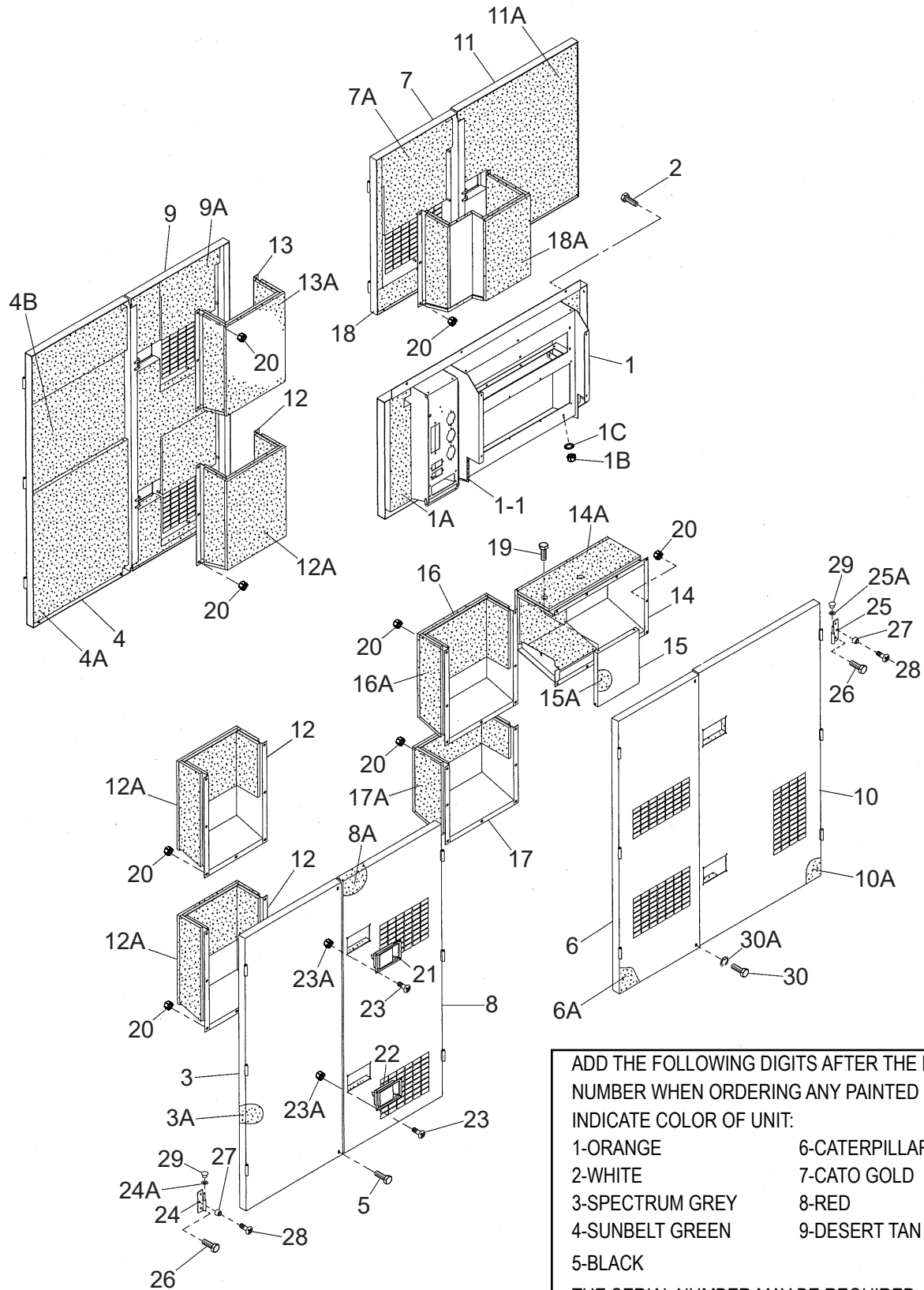
1-ORANGE	6-CATERPILLAR YELLOW
2-WHITE	7-CATO GOLD
3-SPECTRUM GREY	8-RED
4-SUNBELT GREEN	9-DESERT TAN
5-BLACK	

THE SERIAL NUMBER MAY BE REQUIRED.

## ENCLOSURE 2 ASSY.

<u>NO.</u>	<u>PART NO.</u>	<u>PART NAME</u>	<u>QTY.</u>	<u>REMARKS</u>
1	C3444003403	REAR FRAME	1	
2	C3444003512	REAR FRAME	1	
2A	C3494303114	LINING	1	
3	0019208020	HEX. HEAD BOLT	11	
4	0019210025	HEX. HEAD BOLT	4	
5	C3444303503	COVER, REAR FRAME	1	
5A	C3494303204	LINING	1	
6	C3444303604	DUCT COVER	1	
6A	C3494303304	LINING	1	
7	0019208020	HEX. HEAD BOLT	12	
8	0019208020	HEX. HEAD BOLT	10	
9	C3444202803	DOOR, REAR FRAME (LEFT)	1	
10	C3444202903	DOOR, REAR FRAME (RIGHT)	1	
11	M4443600004	WINDOW PLATE	1	
12	020106050	HEX. NUT .....	8	REPLACES P/N 0207306000
13	0600800320	MANUAL HOLDER	1	
14	Y0207006000	HEX. NUT	4	
15	B9114000102	DOOR HANDLE	1	
16	0021806015	MACHINE SCREW	4	
16A	020106050	HEX. NUT .....	4	REPLACES P/N 0030006000
17	8225146204	DOOR ROD	1	
18	8175146304	DOOR ROD	1	
19	0845050704	STAY	4	
20	Y0207006000	HEX. NUT	8	
21	0805011304	STOPPER, DOOR	1	
22	0805011204	STOPPER, DOOR	1	
23	Y0207006000	HEX. NUT	4	
24	M9110100204	HINGE, MALE (L) .....	2	REPLACES P/N 0845047104
24A	0845045004	WASHER	2	
25	M9110100304	HINGE, MALE (R) .....	2	REPLACES P/N 0845047204
25A	0845045004	WASHER	2	
26	0019208020	HEX. HEAD BOLT	6	
27	0601850097	STOPPER	2	
28	0025408025	MACHINE SCREW	2	
29	0845031504	CAP	4	
30	C3464201702	ROOF PANEL	1	
30A	C3494503603	LINING	1	
31	C3464502904	COVER, ROOF PANEL	1	
31A	C3494503704	LINING	1	
32	011008020	HEX. HEAD BOLT .....	12	REPLACES P/N 0017108020
33	0019208020	HEX. HEAD BOLT	20	
34	C3463500304	GUTTER	2	
35	0019208020	HEX. HEAD BOLT	2	
36	0019210025	HEX. HEAD BOLT	4	
43	Y0601831953	EMERGENCY STOP BUTTON	1	

# ENCLOSURE 3 ASSY.



ADD THE FOLLOWING DIGITS AFTER THE PART NUMBER WHEN ORDERING ANY PAINTED PANEL TO INDICATE COLOR OF UNIT:

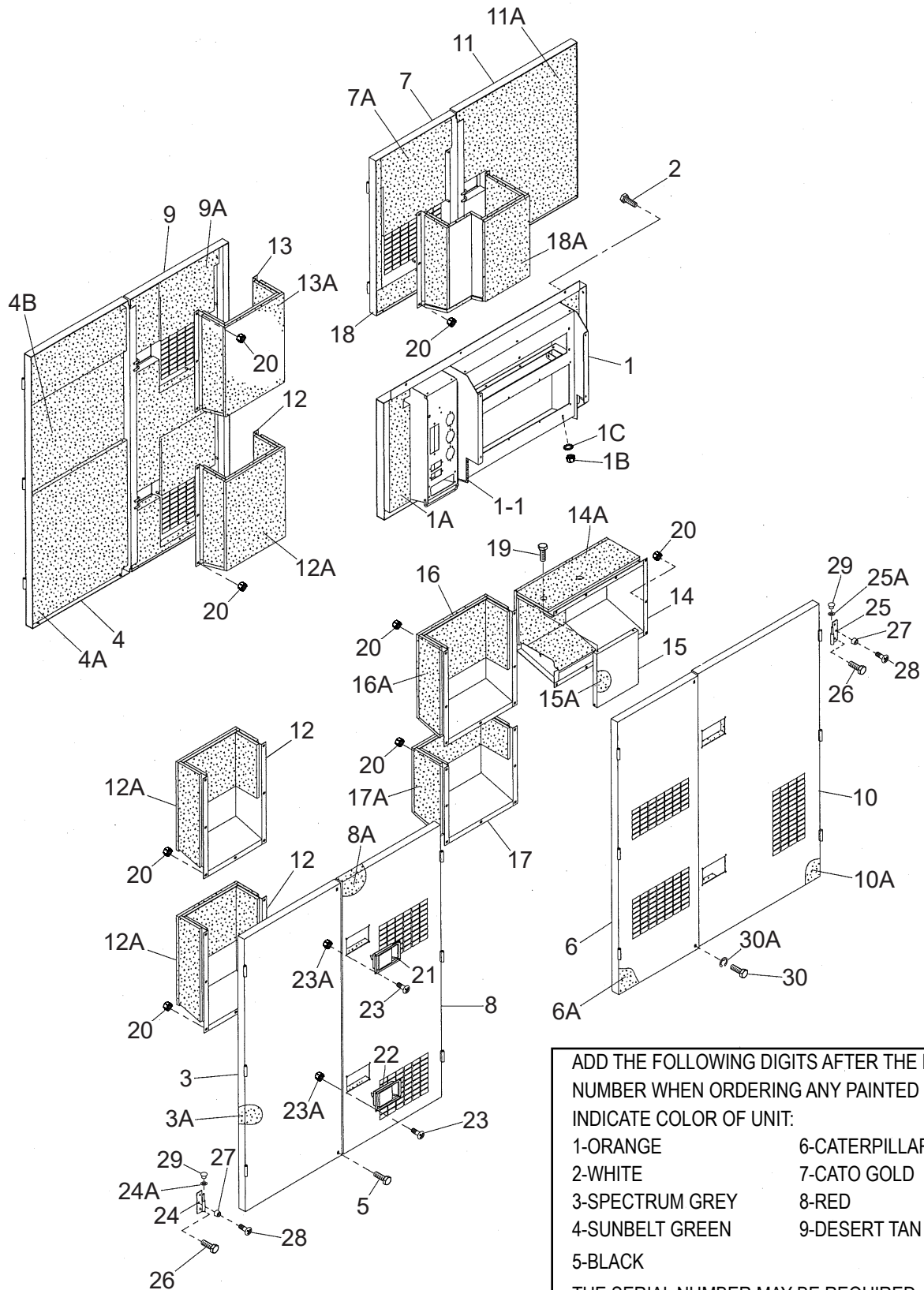
1-ORANGE	6-CATERPILLAR YELLOW
2-WHITE	7-CATO GOLD
3-SPECTRUM GREY	8-RED
4-SUNBELT GREEN	9-DESERT TAN
5-BLACK	

THE SERIAL NUMBER MAY BE REQUIRED.

## ENCLOSURE 3 ASSY.

<u>NO.</u>	<u>PART NO.</u>	<u>PART NAME</u>	<u>QTY.</u>	<u>REMARKS</u>
1	C3454208912	SPLASHER PANEL	1	
1A	C3494421404	LINING	1	
1B	Y0207006000	HEX. NUT	1	
1C	0040506000	TOOTHED WASHER	1	
1-1	Y0226900310	RUBBER SEAL	1	
2	0019208070	HEX. HEAD BOLT	6	
3	C3454105103	SIDE PANEL	1	
3A	C3494417604	LINING	1	
4	C3454105203	SIDE PANEL (RIGHT)	1	
4A	C3494401904	LINING	1	
4B	C3497400004	HEAT INSULATOR	1	
5	0019208070	HEX. HEAD BOLT	7	
6	C3454105303	SIDE PANEL (LEFT)	1	
6A	C3494417804	LINING	1	
7	C3454107903	SIDE PANEL	1	
7A	C3494421604	LINING	1	
8	C3454008003	SIDE DOOR (LEFT)	1	
8A	C3494417204	LINING	1	
9	C3454008303	SIDE DOOR (RIGHT)	1	
9A	C3494418604	LINING	1	
10	C3454007903	SIDE DOOR, REAR (LEFT)	1	
10A	C3494417404	LINING	1	
11	C3454010103	SIDE DOOR, REAR (RIGHT)	1	
11A	C3494421504	LINING	1	
12	C3454306204	DUCT	3	
12A	C3494418004	LINING	3	
13	C3454306904	DUCT	1	
13A	C3494418704	LINING	1	
14	C3454306304	DUCT	1	
14A	C3494418104	LINING	1	
15	C3454500404	PANEL	1	
15A	C3494421804	LINING	1	
16	C3454306604	DUCT	1	
16A	C3494418204	LINING	1	
17	C3454306704	DUCT	1	
17A	C3494418304	LINING	1	
18	C3454306804	DUCT	1	
18A	C3494418403	LINING	1	
19	011008020	HEX. HEAD BOLT.....	2.....	REPLACES P/N 0016908020
20	Y0207008000	HEX. NUT	58	
21	M9113000102	DOOR HANDLE.....	3.....	REPLACES P/N 0825007362
22	B9114000002	DOOR HANDLE	4	
23	0021806015	MACHINE SCREW	28	
23A	020106050	HEX. NUT .....	28.....	REPLACES P/N 0030006000
24	0845046904	HINGE	11	
24A	0845045004	WASHER	11	

# ENCLOSURE 3 ASSY. (CONT'D.)



ADD THE FOLLOWING DIGITS AFTER THE PART NUMBER WHEN ORDERING ANY PAINTED PANEL TO INDICATE COLOR OF UNIT:

1-ORANGE	6-CATERPILLAR YELLOW
2-WHITE	7-CATO GOLD
3-SPECTRUM GREY	8-RED
4-SUNBELT GREEN	9-DESERT TAN
5-BLACK	

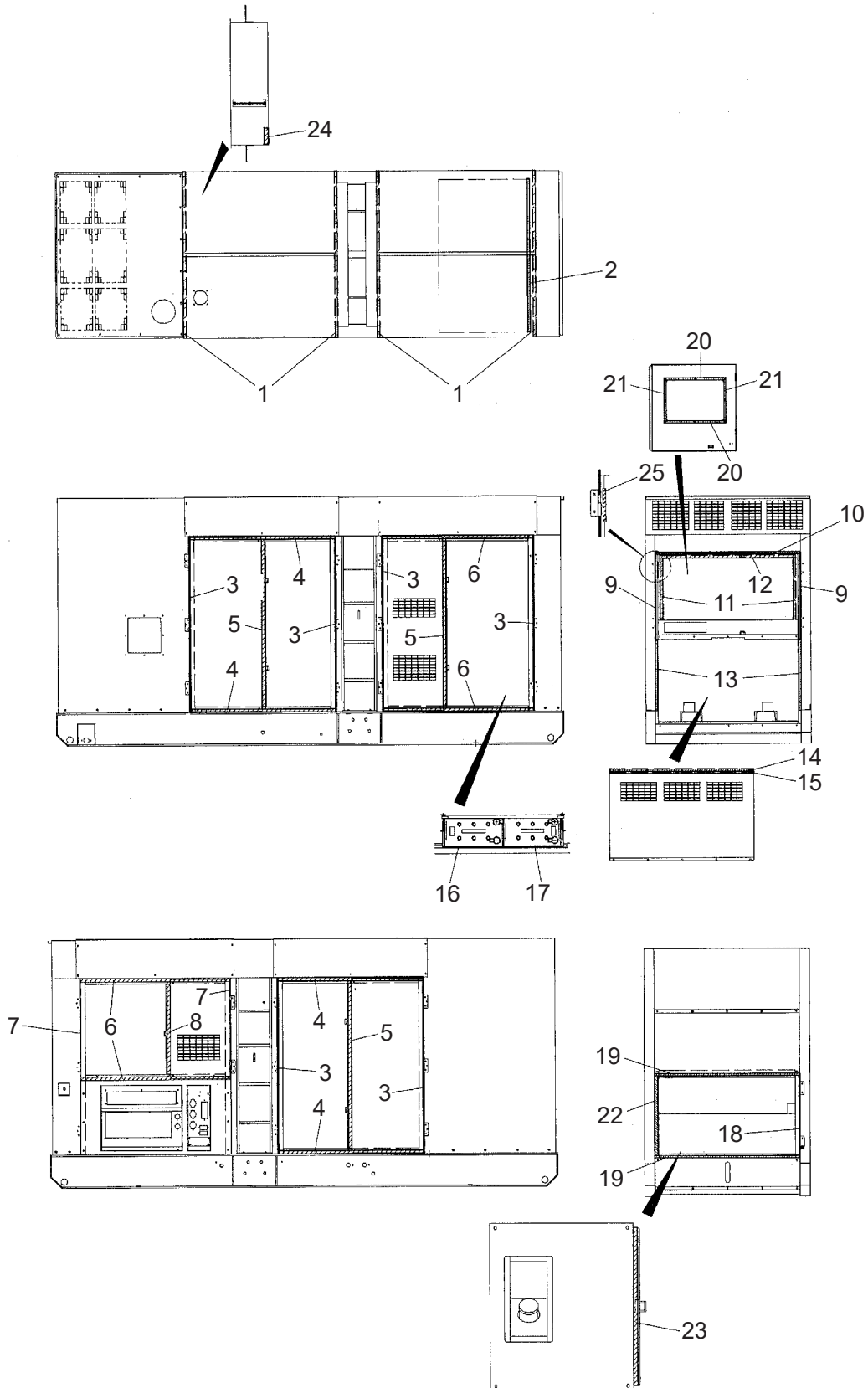
THE SERIAL NUMBER MAY BE REQUIRED.

## ENCLOSURE 3 ASSY. (CONT'D.)

---

<u>NO.</u>	<u>PART NO.</u>	<u>PART NAME</u>	<u>QTY.</u>	<u>REMARKS</u>
25	0845047004	HINGE	11	
25A	0845045004	WASHER	11	
26	0019208020	HEX. HEAD BOLT	51	
27	0601850097	STOPPER	15	
28	0025408025	MACHINE SCREW	15	
29	0845031504	CAP	22	
30	0019208055	HEX. HEAD BOLT	1	
30A	0080200007	SNAP RING	1	

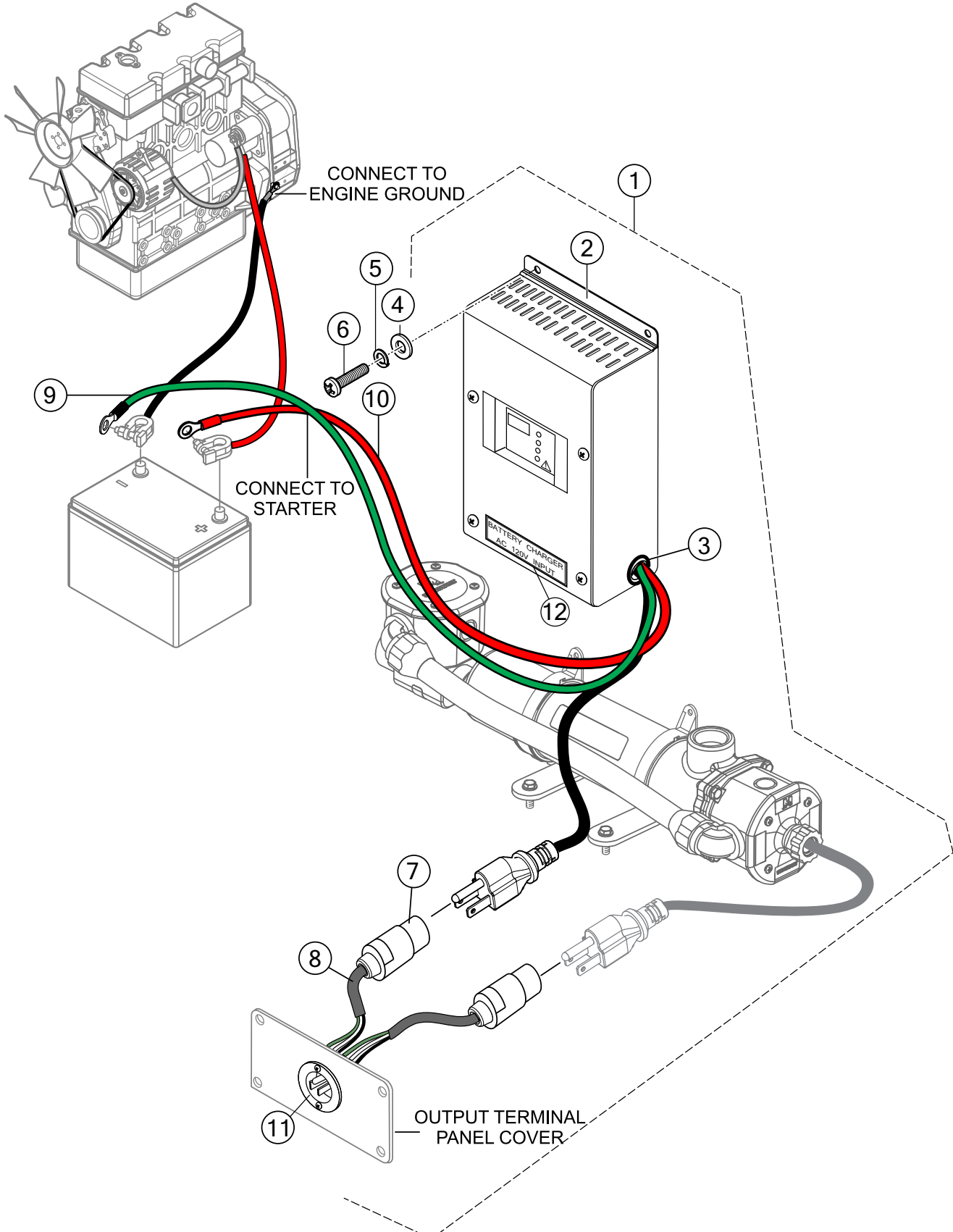
# RUBBER SEALS ASSY.



## RUBBER SEALS ASSY.

<u>NO.</u>	<u>PART NO.</u>	<u>PART NAME</u>	<u>QTY.</u>	<u>REMARKS</u>
1	0229201500	RUBBER SEAL	4	
2	0228801385	RUBBER SEAL	1	
3	0228901600	RUBBER SEAL	6	
4	0228901310	RUBBER SEAL	4	
5	0228901540	RUBBER SEAL	3	
6	0228901350	RUBBER SEAL	4	
7	Y0228900920	RUBBER SEAL	2	
8	0228900860	RUBBER SEAL	1	
9	0221200795	RUBBER SEAL	2	
10	0228801310	RUBBER SEAL	1	
11	0229200560	RUBBER SEAL.....	2.....	S/N 3976135 AND BELOW
11	0315600560	RUBBER SEAL.....	2.....	S/N 3976136 AND ABOVE
12	0229201230	RUBBER SEAL.....	1.....	S/N 3976135 AND BELOW
12	0315600605	RUBBER SEAL.....	2.....	S/N 3976136 AND ABOVE
13	0314700645	RUBBER SEAL	2	
14	0229201310	RUBBER SEAL	1	
15	0229401310	RUBBER SEAL	1	
16	0223300280	RUBBER SEAL	1	
17	0223300710	RUBBER SEAL	1	
18	0229400765	RUBBER SEAL	1	
19	Y0228801315	RUBBER SEAL	2	
20	0228100560	RUBBER SEAL	2	
21	0228100370	RUBBER SEAL	2	
22	Y0228800725	RUBBER SEAL	1	
23	Y0229400715	RUBBER SEAL	1	
24	0223300150	RUBBER SEAL	1	
25	Y0226900150	RUBBER SEAL	1	

# BATTERY CHARGER ASSY. (OPTION)



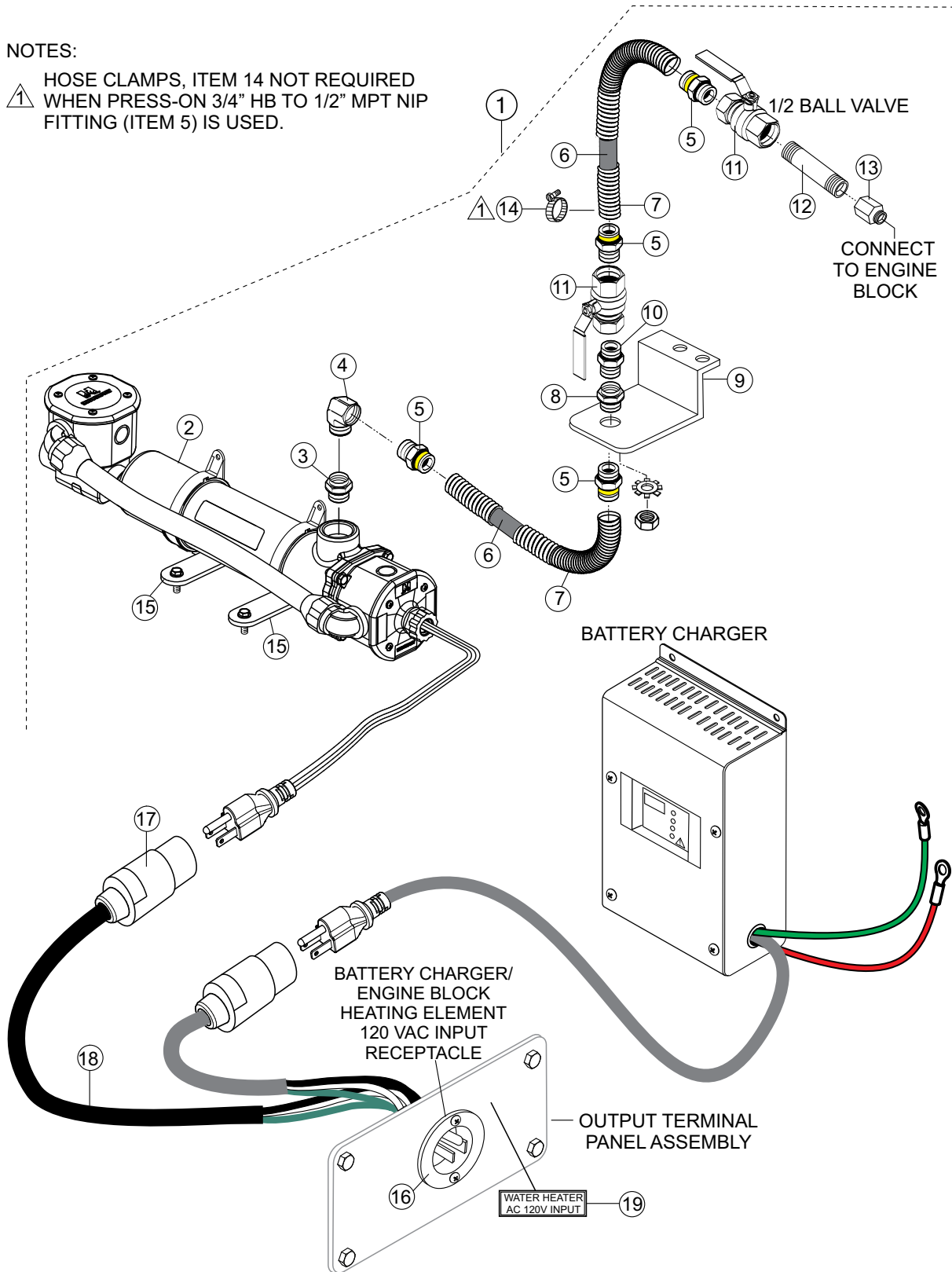
## BATTERY CHARGER ASSY. (OPTION)

<u>NO.</u>	<u>PART NO.</u>	<u>PART NAME</u>	<u>QTY.</u>	<u>REMARKS</u>
1	MQPBCKIT-H	BATTERY CHARGER KIT .....	1.....	INCLUDES ITEMS W/%
2%	EE57370	CHARGER, 10A 12/24V NRG BATTERY	1	
3%		GROMMET, 7/8" HOLE SIZE.....	1.....	OBTAIN LOCALLY
4		WASHER, FLAT M4.....	4.....	OBTAIN LOCALLY
5		WASHER, LOCK M4.....	4.....	OBTAIN LOCALLY
6		SCREW, M4 X 10 .....	4.....	OBTAIN LOCALLY
7%	HBL5369C	CONNECTOR, 20AMP, 125V	1	
8%	EE56557	CORD, 3-CONDUCTOR, 14 AWG (10 FT.) .....	10.....	1 PC = 1 FT
9		WIRE, 16 AWG GREEN.....	AR .....	OBTAIN LOCALLY
10		WIRE, 16 AWG RED.....	AR .....	OBTAIN LOCALLY
11%	HBL5278C	INLET FLANGE 15AMP NEMA, 125V	1	
12%	M1940011014Q	DECAL, BATTERY CHARGER	1	

# JACKET WATER HEATER ASSY. (OPTION)

**NOTES:**

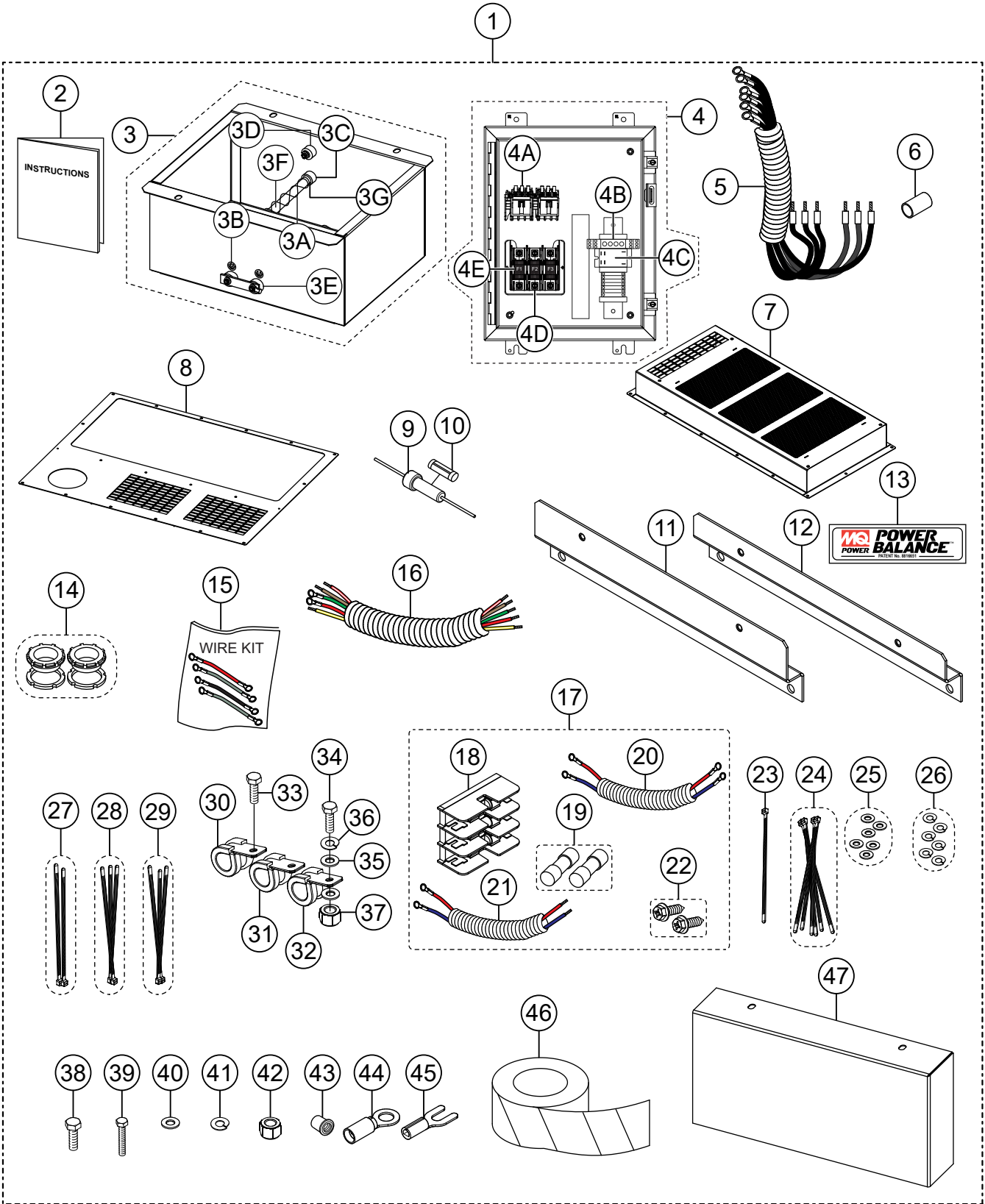
⚠ HOSE CLAMPS, ITEM 14 NOT REQUIRED WHEN PRESS-ON 3/4" HB TO 1/2" MPT NIP FITTING (ITEM 5) IS USED.



## JACKET WATER HEATER ASSY. (OPTION)

<u>NO.</u>	<u>PART NO.</u>	<u>PART NAME</u>	<u>QTY.</u>	<u>REMARKS</u>
1	MQPHEAT400IFKIT	BLOCK HEATER KIT .....	1.....	INCLUDES ITEMS W/%
2%	SB120110-200	WATER HEATER, 2000W, 120VAC	2	
3%		BUSHING.....	1.....	OBTAIN LOCALLY
4%		90° ELBOW .....	1.....	OBTAIN LOCALLY
5%		3/4" HB TO 1/2" MPT NIP.....	4.....	OBTAIN LOCALLY
6%		HEATER HOSE 8 FT (2.4 M).....	1.....	OBTAIN LOCALLY
7%		SPLIT-LOOM 8 FT (2.4 M).....	1.....	OBTAIN LOCALLY
8%	EE17203	BULKHEAD FITTING, BRASS 1/2" NPT	1	
9%	EE58448	BRACKET ALUMINUM BLOCK HEATER	1	
10%		REDUCER .....	1.....	OBTAIN LOCALLY
11%		1/2" BALL VALVE .....	2.....	OBTAIN LOCALLY
12%		1/2" X 6 PIPE EXTENSION .....	1.....	OBTAIN LOCALLY
13%		METRIC ADAPTER, 7045.8.18 .....	1.....	PARKER OBTAIN LOCALLY
14%		HOSE CLAMP #10 .....	6.....	OBTAIN LOCALLY
15%	EE58449	BRACKET ALUM. BLOCK HEATER ANGLE	1	
16%	HBL5378C	INLET FLANGE 20AMP NEMA	1	
17%	HBL5369C	CONNECTOR, 20AMP, 125V	1	
18%	EE56557	CORD, 3-CONDUCTOR, 14 AWG (2 FT.) .....	1.....	1 PC = 1 FT
19%	M1940011005Q	DECAL, WATER HEATER	1	

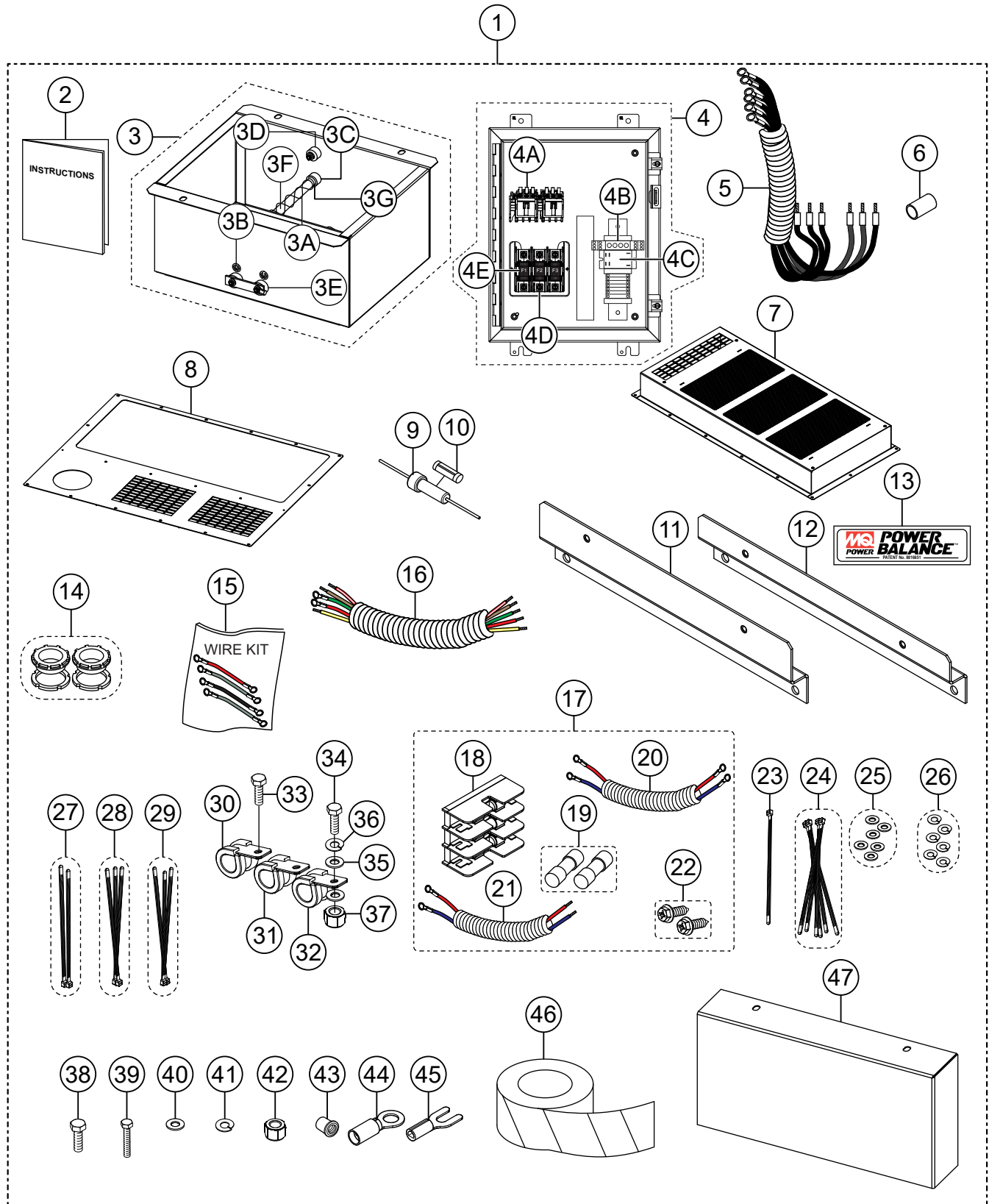
# POWER BALANCE ASSY. (OPTION)



## POWER BALANCE ASSY. (OPTION)

<u>NO.</u>	<u>PART NO.</u>	<u>PART NAME</u>	<u>QTY.</u>	<u>REMARKS</u>
1	MQPPB40014F	KIT, POWER BALANCE .....	1.....	INCLUDES ITEMS W/# CONTACT SALES DEPT.
2#	EE59141	INSTRUCTIONS, POWER BALANCE	1	
3#	EE59083	RESISTOR ASSY., 112 KW .....	1.....	INCLUDES ITEMS W/%
3A%#	L1073-RE	RESISTOR ELEMENT, L1073-RA	12	
3B%#	LBD538/L1073-RA	ELEMENT ROD L1073-RA	12	
3C%#	P0267	CERAMIC INSULATOR	28	
3D%#	C0010-8	CERAMIC SPACER	48	
3E%#	P0273-4	INSULATOR, TERMINAL, 1/4	24	
3F%#	P0073-516R	INSULATOR, L3 STEATITE EXTRUDED	168	
3G%#	LBD163	PR END SPRING HARDWARE	28	
4#	EE60406	CONTACTOR ASSY., 112 KW .....	1.....	REPLACES P/N EE59143 INCLUDES ITEMS W/\$
4A\$#	LBD961	CONTACTOR, 3 POLE, 150A, 24VDC	2	
4B\$#	LBD1056	RELAY, VOLTAGE CONTROL, 460V	1	
4C\$#	LBD502	RELAY, DPDT, 12 VDC	2	
4D\$#	LBD560	FUSE HOLDER, 3 PHASE, 400A, 1000V	3	
4E\$#	LBD962	FUSE	3	
5#	EE59144	WIRE HARNESS, POWER BALANCE	1	
6#	EE60087	SLEEVE .....	24.....	1 PC = 1 FT
7#	EE61556	W/A RESISTOR COVER LOW PROFILE	1	
8#	EE61546	W/A ROOF PANEL POWER BALANCE	1	
9#	303110	IN-LINE FUSE HOLDER.....	1.....	INCLUDES ITEM W/%
10#%		FUSE, 10 AMP (AGC10).....	1.....	NOT SOLD SEPARATELY
11#	EE60395	BRACKET, CONTACTOR TOP	1	
12#	EE60396	BRACKET, CONTACTOR BOTTOM	1	
13#	EE61332	DECAL, POWER BALANCE	1	
14#	EE58339	BUSHING, INSULATED W/ NUT	2	
15#	EE59891	POWER CABLES, 112 KW	1	
16#	EE59893	WIRE HARNESS, DC	1	
17#	EE60176	SENSING KIT HARNESS.....	1.....	INCLUDES ITEMS W/\$
18#\$	EE5759	BLOCK, MIDGET FUSE TYPE, 3 POLE	1	
19#\$	EE5804	FUSE, GOLD SHAWMUT, 10A	2	
20#\$	EE60164	HARNESS, 6 FT.	1	
21#\$	EE60165	HARNESS, 2 FT.	1	
22#\$		SELF TAPPING SCREW, 8-1/2"	2	

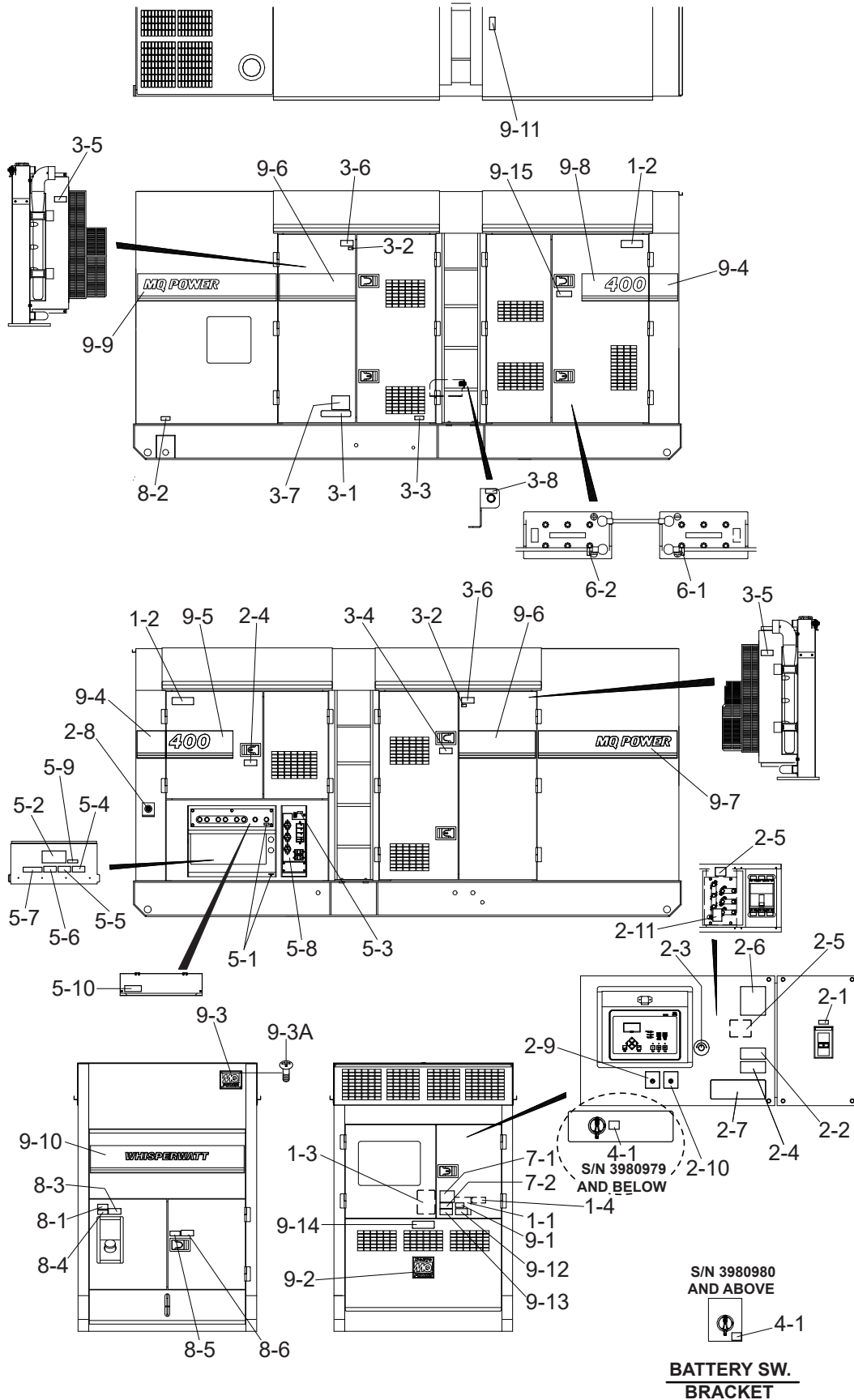
# POWER BALANCE ASSY. (OPTION) CONT'D.



## POWER BALANCE ASSY. (OPTION) CONT'D.

<u>NO.</u>	<u>PART NO.</u>	<u>PART NAME</u>	<u>QTY.</u>	<u>REMARKS</u>
23#		ZIP TIE, METAL	1	
24#		ZIP TIE, METAL	6	
25#		WASHER, FLAT M6 SS	6	
26#		WASHER, LOCK M6 SS	6	
27#		TIE WRAP, #4	2	
28#		TIE WRAP, #6	3	
29#		TIE WRAP, #8	3	
30#		G-CLAMP, #32 (2")X1/4" HOLE	1	
31#		G-CLAMP, #32 (2")X3/8" HOLE	1	
32#		G-CLAMP, #38 (2-3/8")X1/4" HOLE	1	
33#		SCREW, 1/4-20X1" SS	1	
34#		SCREW, 1/4-20X1.5" SS	1	
35#		WASHER, FLAT 1/4" SS	2	
36#		WASHER, LOCK 1/4" SS	1	
37#		HEX NUT, 1/4-20 SS	1	
38#		SCREW, M8X15MM SS	1	
39#		SCREW, M6X35MM SS	1	
40#		WASHER, FLAT M8 SS	1	
41#		WASHER, LOCK M8 SS	1	
42#		HEX NUT, M8 SS	1	
43#		RIVET NUT INSERT, M8	1	
44#		RING TERMINAL, 14-16 GA X #10	1	
45#		SPADE TERM., 1/4" INS. FEM. 14-16 AWG	1	
46#	EE9925	INSULATION GASKET TAPE .....	20	1 PC = 1 FT
47#	EE62010	BAFFLE, POWER BALANCE RESISTOR	1	

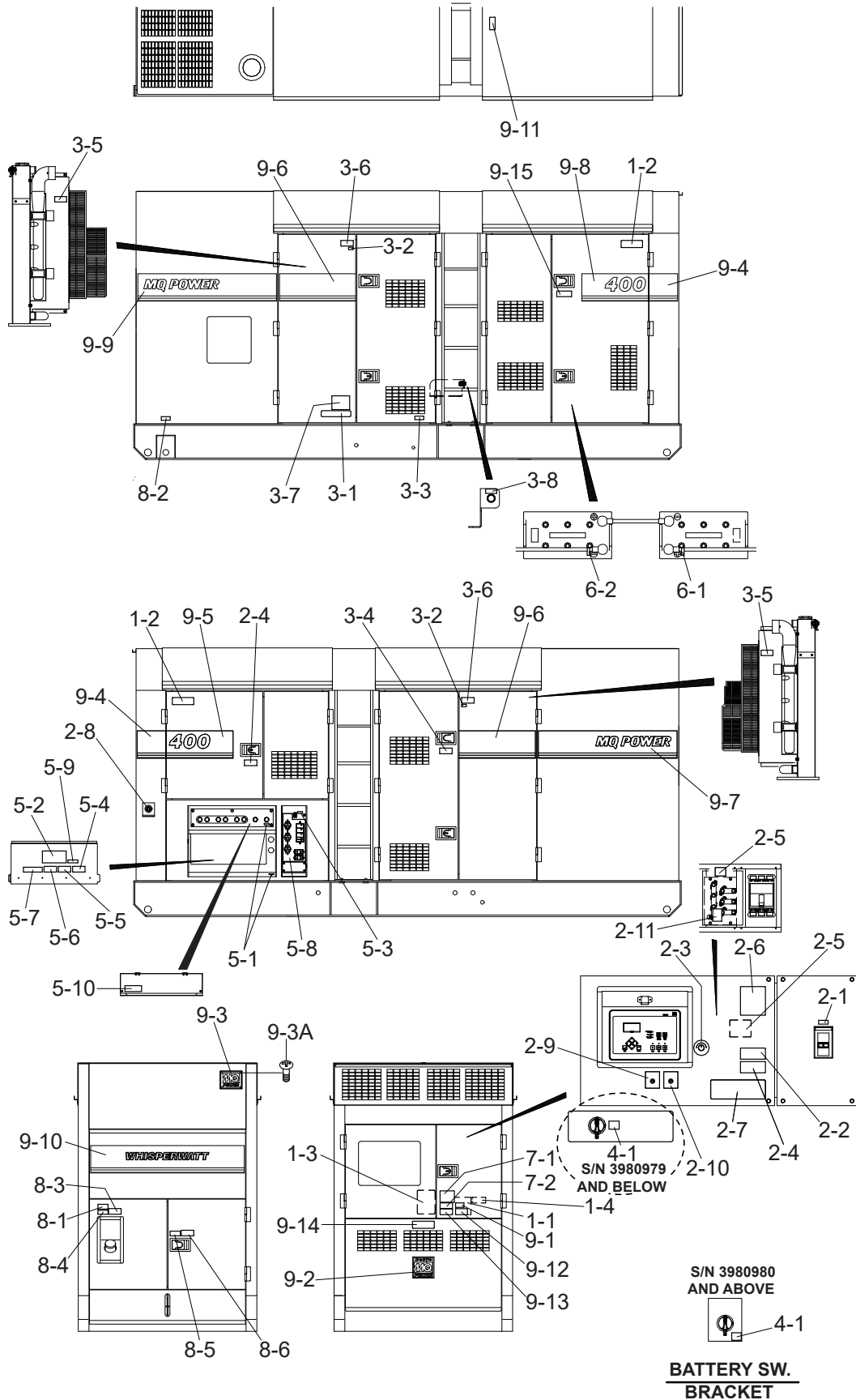
# NAMEPLATE AND DECALS ASSY.



## NAMEPLATE AND DECALS ASSY.

<u>NO.</u>	<u>PART NO.</u>	<u>PART NAME</u>	<u>QTY.</u>	<u>REMARKS</u>
1-1	C3551006803	DECAL: HANDLING PROCEDURES .....	1.....	C35100680
1-2	M9520100603	DECAL: CAUTION.....	2.....	REPLACES P/N C9522100003 C92210000
1-3	C3551004703	DECAL: SCR PURGE SYSTEM.....	1.....	C35100470
1-4	C9504200904	DECAL: WARNING.....	1.....	C90420090
<b>CONTROL BOX GROUP</b>				
2-1	0840624504	DECAL: CIRCUIT BREAKER .....	1.....	S-3031
2-2	M9520100704	DECAL: WARNING ARC FLASH.....	1.....	M92010070
2-3	0840624804	DECAL: VOLTAGE REGULATOR .....	1.....	S-3034
2-4	B9531100604	DECAL: WARNING ELEC. SHOCK HAZARD .....	2.....	B93110060
2-5	M9520200504	DECAL: SETTING FOR OUTPUT VOLT. (S).....	2.....	M92020050
2-6	C2551000004	DECAL: SAFETY INSTRUCTIONS .....	1.....	C25100000
2-7	C3561001403	DECAL: WHISPERWATT 400.....	1.....	C36100140
2-8	A9520001204	DECAL: EMERGENCY STOP BUTTON	1	
2-9	C9521039504	DECAL: PANEL LIGHT SWITCH.....	1.....	C92103950
2-10	C9521039404	DECAL: CONTROL POWER SWITCH.....	1.....	C92103940
2-11	C3551007304	DECAL: VOLT CHANGE-OVER .....	1.....	S/N 3983476 AND ABOVE BOARD BOLT TORQUE C35100730
<b>ENGINE AND RADIATOR GROUP</b>				
3-1	1320610603	DECAL: WATER • OIL .....	1.....	S-1760
3-2	6360610304	DECAL: WATER .....	2.....	S-1880
3-3	6360620204	DECAL: OIL DRAIN PLUG .....	1.....	S-1885
3-4	B9504000304	DECAL: CAUTION HOT PARTS.....	1.....	B90400030
3-5	B9504000404	DECAL: WARNING MOVING PARTS .....	2.....	B90400040
3-6	B9504100104	DECAL: WARNING HOT COOLANT.....	2.....	B90410010
3-7	C3551004103	DECAL: AIR BLEEDING PROCEDURE .....	1.....	C35100410 S/N 3996825 AND BELOW
3-7	C3551007603	DECAL: AIR BLEEDING PROCEDURE .....	1.....	C35100760 S/N 3996826 AND ABOVE
3-8	C9521042704	DECAL: FUEL PUMP BUTTON.....	1.....	C92104270 S/N 3996826 AND ABOVE
<b>ENGINE OPERATING PANEL GROUP</b>				
4-1	C0551000504	DECAL: BATTERY SWITCH.....	1.....	C05100050
<b>OUTPUT TERMINAL GROUP</b>				
5-1	0840614104	DECAL: GROUND .....	2.....	S-2635
5-2	M9520100404	DECAL: DANGER HIGH VOLTAGE .....	1.....	REPLACES P/N 0840619904 S-2731
5-3	9039209064	DECAL: START CONTACT.....	1.....	S-4468
5-4	B9511100304	DECAL: WARNING.....	1.....	B91110030
5-5	B9511100404	DECAL: WARNING ELEC. SHOCK HAZARD .....	1.....	B91110040

# NAMEPLATE AND DECALS ASSY. (CONT'D.)



## NAMEPLATE AND DECALS ASSY. (CONT'D.)

<u>NO.</u>	<u>PART NO.</u>	<u>PART NAME</u>	<u>QTY.</u>	<u>REMARKS</u>
5-6	B9531100504	DECAL: WARNING ELEC. SHOCK HAZARD...1.....	1	B93110050
5-7	C0551000404	DECAL: 3-PHASE OUTPUT TERMINAL.....1.....	1	C05100040A
5-8	C3551005703	DECAL: RECEPT. AND CIRCUIT BREAKER...1.....	1	C35100570A
5-9	M9521200604	DECAL: BONDED NEUTRAL.....1.....	1	M92120060
5-10	M5551001704	DECAL: OUTPUT TERM. BOLT TORQUE.....1.....	1	S/N 3983476 AND ABOVE M55100170
<b>BATTERY GROUP</b>				
6-1	0800689404	DECAL: +.....1.....	1	S-2090
6-2	0800689504	DECAL: -.....1.....	1	S-2091
<b>MUFFLER GROUP</b>				
7-1	A9504000014	DECAL: DANGER.....1.....	1	A90400001
7-2	B9504200004	DECAL: WARNING ENGINE EXHAUST.....1.....	1	B90420000
<b>FUEL TANK GROUP</b>				
8-1	B9504501214	DECAL: DIESEL FUEL.....1.....	1	B90450121
8-2	6360620004	DECAL: FUEL DRAIN PLUG.....1.....	1	S-1883
8-3	B9504500004	DECAL: WARNING DIESEL FUEL.....1.....	1	B90450000
8-4	M9504500004	DECAL: REFILL DEF AS WELL.....1.....	1	M90450000
8-5	M9501500104	DECAL: DIESEL EXHAUST FLUID.....1.....	1	M90150010
8-6	M9541100004	DECAL: CAUTION EXHAUST FLUID ONLY.....1.....	1	M94110000
<b>ENCLOSURE GROUP</b>				
9-1	A9511101304	DECAL: WARNING PROPOSITION 65.....1.....	1	A91110130
9-2	0840625902	DECAL: MQ.....1.....	1	S-3057
9-3	0600500092	EMBLEM	1	
9-3A	0021106015	MACHINE SCREW	4	
9-4	C2561101204	STRIPE	2	
9-5	C3561100203	STRIPE	1	
9-6	C3561101904	STRIPE	2	
9-7	C3561101603	STRIPE	1	
9-8	C3561100803	STRIPE	1	
9-9	C3561101703	STRIPE	1	
9-10	C3561102003	STRIPE	1	
9-11	C9504000604	DECAL: CAUTION.....1.....	1	C90400060
9-12	920214100	DECAL: WARNING START FIRES.....1.....	1	REPLACES P/N M9504200004 M90420000
9-13	C9504200504	DECAL: CAUTION.....1.....	1	C90420050
9-14	M9511200103	DECAL: TIER 4F.....1.....	1	M91120010
9-15	M9521200703	DECAL: BATTERY SW. INSIDE.....1.....	1	M92120070 S/N 3980980 AND ABOVE

# PARTS MANUAL

## HERE'S HOW TO GET HELP

PLEASE HAVE THE MODEL AND SERIAL  
NUMBER ON HAND WHEN CALLING

### UNITED STATES

#### *Multiquip Inc.*

(310) 537- 3700  
6141 Katella Avenue Suite 200  
Cypress, CA 90630  
E-MAIL: [mq@multiquip.com](mailto:mq@multiquip.com)  
WEBSITE: [www.multiquip.com](http://www.multiquip.com)

---

### CANADA

#### *Multiquip*

(450) 625-2244  
4110 Industriel Boul.  
Laval, Quebec, Canada H7L 6V3  
E-MAIL: [infocanada@multiquip.com](mailto:infocanada@multiquip.com)

### UNITED KINGDOM

#### *Multiquip (UK) Limited Head Office*

0161 339 2223  
Unit 2, Northpoint Industrial Estate, Globe Lane,  
Dukinfield, Cheshire SK16 4UJ  
E-MAIL: [sales@multiquip.co.uk](mailto:sales@multiquip.co.uk)

© COPYRIGHT 2026, MULTIQUIP INC.

Multiquip Inc., the MQ logo and the MQ Power logo are registered trademarks of Multiquip Inc. and may not be used, reproduced, or altered without written permission. All other trademarks are the property of their respective owners and used with permission.

This manual MUST accompany the equipment at all times. This manual is considered a permanent part of the equipment and should remain with the unit if resold.

DISCLAIMER: Product features, descriptions, and specifications are based on published information at the time of publication and are subject to change at any time without notice. Multiquip Inc. and its affiliates reserve the right to change specifications, features, design, and descriptions of products at any time without notice.

Manufactured for  
MQ Power Inc.  
by  
DENYO MANUFACTURING CORP.

