

PARTS MANUAL



MODEL DCA6SPX4F PORTABLE GENERATOR (KUBOTA D1105-E4B-BGDE-1 DIESEL ENGINE)

PARTS LIST NO. A5874300804C

Revision #2 (10/10/23)

To find the latest revision of this publication or associated operation manual, visit our website at: www.mqpower.com



THIS MANUAL MUST ACCOMPANY THE EQUIPMENT AT ALL TIMES.

**DCA6SPX4F
60 Hz Generator**

Explanation Of Code In Remarks Column..... 4
Suggested Spare Parts 5

Component Drawings

Generator Assembly 6–7
Control Panel Assembly 8–9
Electric Parts Assembly 10–11
Engine And Radiator Assembly 12–15
Battery Assembly 16–17
Muffler Assembly 18–19
Enclosure Assembly 20–23
Rubber Seals Assembly 24–25
Nameplate And Decals Assembly..... 26–27

NOTICE
Specifications and part numbers are subject to change without notice.

EXPLANATION OF CODE IN REMARKS COLUMN

The following section explains the different symbols and remarks used in the Parts section of this manual. Use the help numbers found on the back page of the manual if there are any questions.

NOTICE

The contents and part numbers listed in the parts section are subject to change without notice. Multiquip does not guarantee the availability of the parts listed.

SAMPLE PARTS LIST

NO.	PART NO.	PART NAME	QTY.	REMARKS
1	12345	BOLT	1	INCLUDES ITEMS W/%
2%		WASHER, 1/4 IN.		NOT SOLD SEPARATELY
2%	12347	WASHER, 3/8 IN. ..1		MQ-45T ONLY
3	12348	HOSE	A/R	MAKE LOCALLY
4	12349	BEARING	1	S/N 2345B AND ABOVE

NO. Column

Unique Symbols — All items with same unique symbol (@, #, +, %, or >) in the number column belong to the same assembly or kit, which is indicated by a note in the “Remarks” column.

Duplicate Item Numbers — Duplicate numbers indicate multiple part numbers, which are in effect for the same general item, such as different size saw blade guards in use or a part that has been updated on newer versions of the same machine.

NOTICE

When ordering a part that has more than one item number listed, check the remarks column for help in determining the proper part to order.

PART NO. Column

Numbers Used — Part numbers can be indicated by a number, a blank entry, or TBD.

TBD (To Be Determined) is generally used to show a part that has not been assigned a formal part number at the time of publication.

A blank entry generally indicates that the item is not sold separately or is not sold by Multiquip. Other entries will be clarified in the “Remarks” Column.

QTY. Column

Numbers Used — Item quantity can be indicated by a number, a blank entry, or A/R.

A/R (As Required) is generally used for hoses or other parts that are sold in bulk and cut to length.

A blank entry generally indicates that the item is not sold separately. Other entries will be clarified in the “Remarks” Column.

REMARKS Column

Some of the most common notes found in the “Remarks” Column are listed below. Other additional notes needed to describe the item can also be shown.

Assembly/Kit — All items on the parts list with the same unique symbol will be included when this item is purchased.

Indicated by:

“INCLUDES ITEMS W/(unique symbol)”

Serial Number Break — Used to list an effective serial number range where a particular part is used.

Indicated by:

“S/N XXXXX AND BELOW”

“S/N XXXX AND ABOVE”

“S/N XXXX TO S/N XXX”

Specific Model Number Use — Indicates that the part is used only with the specific model number or model number variant listed. It can also be used to show a part is NOT used on a specific model or model number variant.

Indicated by:

“XXXXX ONLY”

“NOT USED ON XXXX”

“Make/Obtain Locally” — Indicates that the part can be purchased at any hardware shop or made out of available items. Examples include battery cables, shims, and certain washers and nuts.

“Not Sold Separately” — Indicates that an item cannot be purchased as a separate item and is either part of an assembly/kit that can be purchased, or is not available for sale through Multiquip.

SUGGESTED SPARE PARTS

DCA6SPX4F PORTABLE GENERATOR WITH KUBOTA D1105-E4B-BGDE-1 DIESEL ENGINE

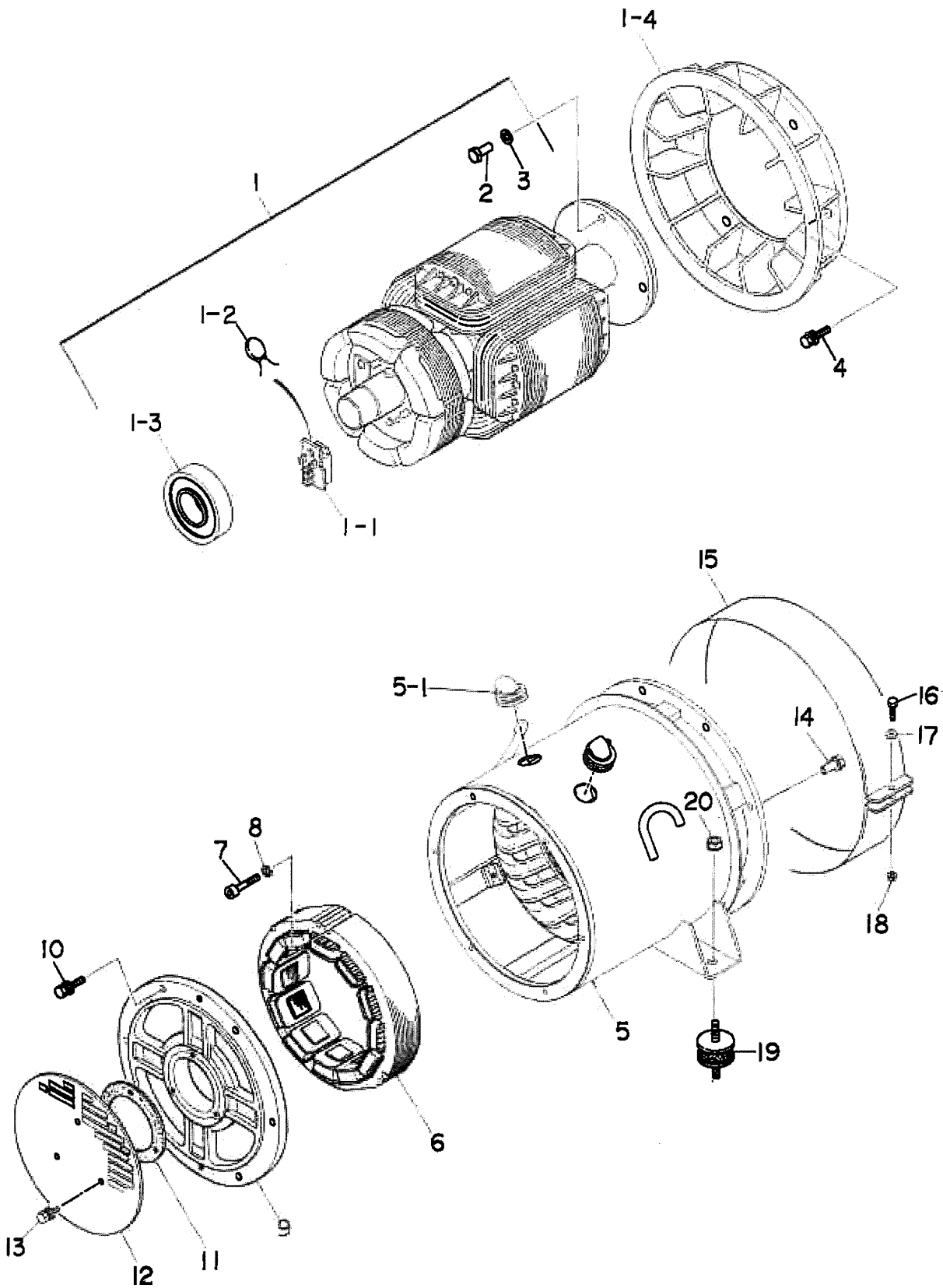
1 to 3 units

Qty.	P/N	Description
5.....	Y0602041174	CARTRIDGE, OIL FILTER
5.....	Y0602042557	ELEMENT, FUEL FILTER
3.....	Y0602046337	ELEMENT, AIR CLEANER
1.....	Y0602015283	FAN BELT
5.....	Y0601806642	FUSE, 5A
4.....	Y0601806643	FUSE, 15A
4.....	Y0601806644	FUSE, 30A
1.....	Y0601806640	FUSE, 65A
1.....	Y0601820663	AUTOMATIC VOLTAGE REGULATOR
1.....	.0601840073.....	RHEOSTAT
1.....	Y0601840121	KNOB, RHEOSTAT
1.....	A5311500013	UPPER RADIATOR HOSE
1.....	A5311500103	LOWER RADIATOR HOSE

NOTICE

Part numbers on this Suggested Spare Parts list may supersede/replace the part numbers shown in the following parts lists.

GENERATOR ASSY.



GENERATOR ASSY.

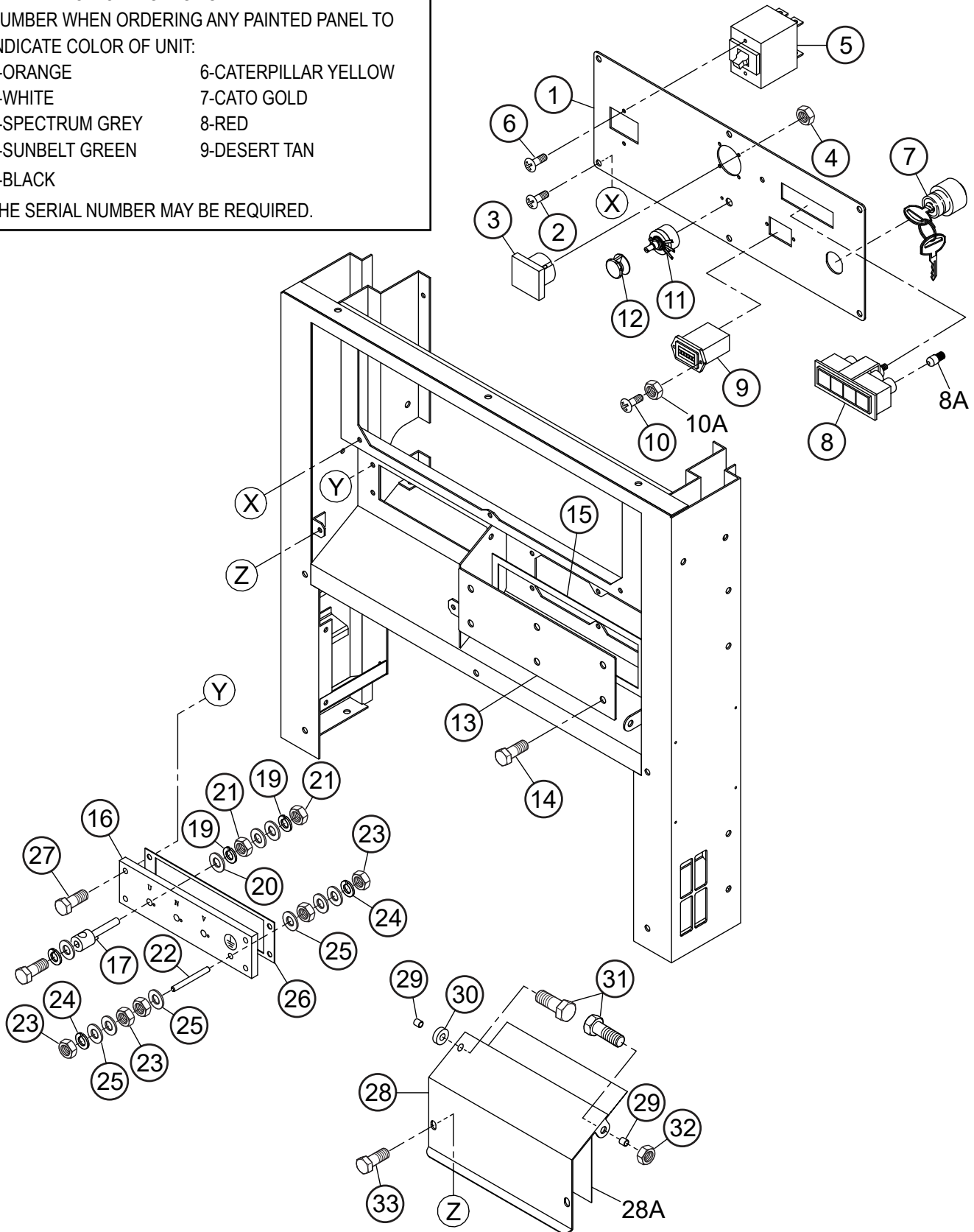
<u>NO.</u>	<u>PART NO.</u>	<u>PART NAME</u>	<u>QTY.</u>	<u>REMARKS</u>
1	A5110100703	ROTOR ASSY.	1.....	INCLUDES ITEMS W/# S/N 5919139 AND BELOW
1	A5110100713	ROTOR ASSY.	1.....	INCLUDES ITEMS W/\$ S/N 5919140 AND ABOVE
1-1#	7961025004	RECTIFIER	1.....	S/N 5919139 AND BELOW
1-1\$	B1121000003	RECTIFIER	1.....	S/N 5919140 AND ABOVE
1-2#\$	Y0601822630	SURGE ABSORBER.....	1.....	S/N 5855504 AND BELOW
1-2#\$	Y0601822696	SURGE ABSORBER.....	1.....	S/N 5855505 AND ABOVE
1-3#\$	Y0071906308	BEARING	1	
1-4#\$	W1711027003	FAN	1	
2#\$	Y0010710025	HEX. HEAD BOLT	4	
3#\$	Y0042510000	LOCK WASHER	4	
4	Y0017108025	HEX. HEAD BOLT	6	
5	A5135002303	STATOR ASSY.	1	
5-1	W4091328504	GROMMET	2	
6	A5138000203	FIELD ASSY., EXCITER	1	
7	Y0016008045	HEX. SOCKET HEAD CAP SCREW	3	
8	Y0042508000	LOCK WASHER	3	
9	W8351315003	END BRACKET	1	
10	Y0017108035	HEX. HEAD BOLT	6	
11	W8351312004	PACKING	1	
12	W8351331004	COVER, SUCTION	1	
13	Y0017106016	HEX, HEAD BOLT	3	
14	Y0012810025	HEX. HEAD BOLT	6	
15	A5133300004	COVER, FAN	1	
16	Y0010106030	HEX. HEAD BOLT	1	
17	Y0041206000	FLAT WASHER	1	
18	Y0207306000	HEX. NUT	1	
19	W7605419004	RUBBER SUSPENSION	2	
20	Y0207010000	HEX. NUT	2	

CONTROL PANEL ASSY.

ADD THE FOLLOWING DIGITS AFTER THE PART NUMBER WHEN ORDERING ANY PAINTED PANEL TO INDICATE COLOR OF UNIT:

1-ORANGE	6-CATERPILLAR YELLOW
2-WHITE	7-CATO GOLD
3-SPECTRUM GREY	8-RED
4-SUNBELT GREEN	9-DESERT TAN
5-BLACK	

THE SERIAL NUMBER MAY BE REQUIRED.



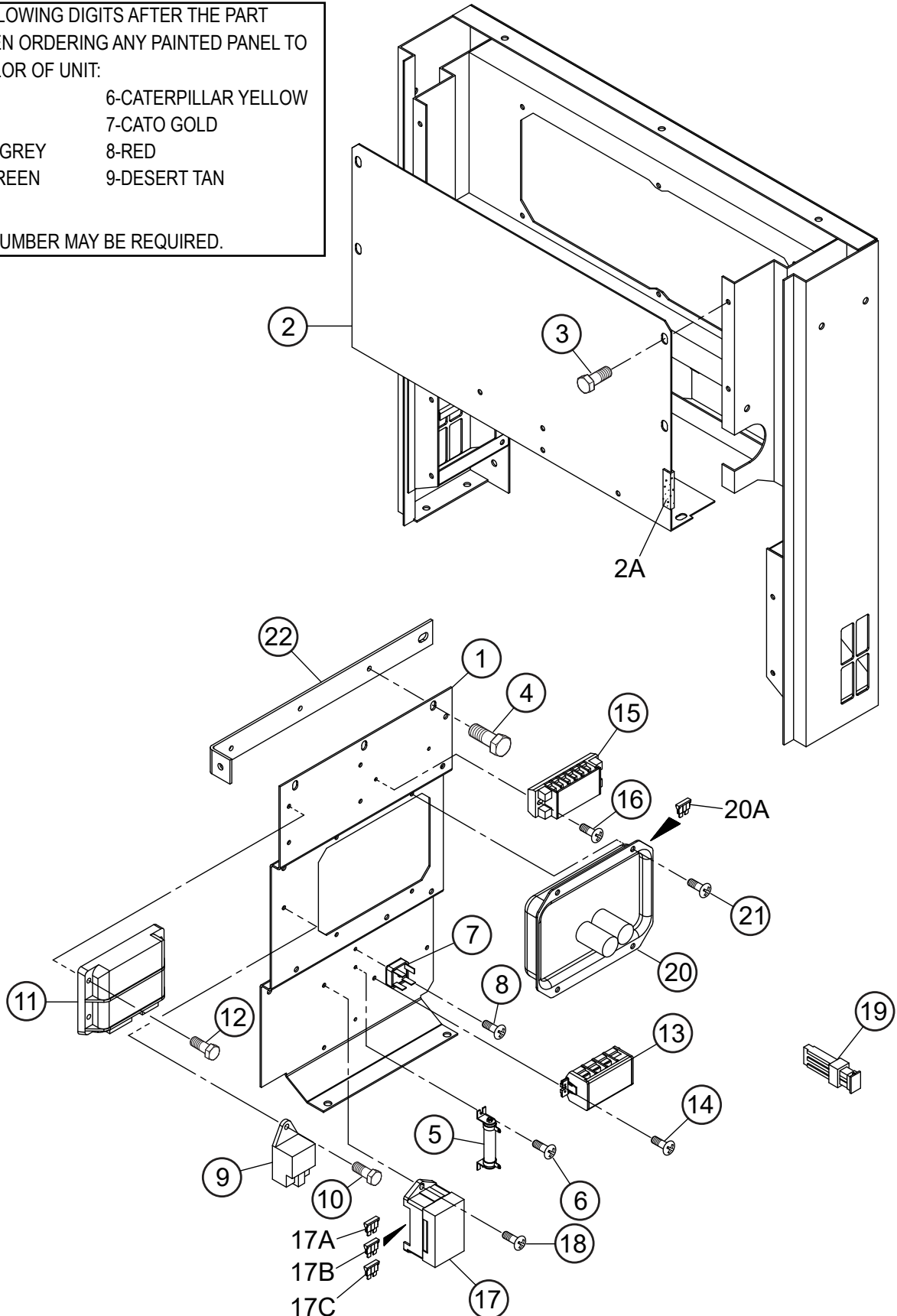
CONTROL PANEL ASSY.

<u>NO.</u>	<u>PART NO.</u>	<u>PART NAME</u>	<u>QTY.</u>	<u>REMARKS</u>
1	A5511307902	CONTROL PANEL	1	
2	Y0021806015	MACHINE SCREW	6	
3	Y0601806819	AC VOLTMETER	1	
4	Y0207003000	HEX. NUT	2	
5	Y0601807465	CIRCUIT BREAKER	1	
6	Y0021004016	MACHINE SCREW	2	
7	Y0602100025	STARTER SWITCH.....	1.....	INCLUDES ITEMS W/#
7A#	Y0602100221	KEY	2	
8	Y0601810523	WARNING LAMP UNIT.....	1.....	INCLUDES ITEMS W/\$
8A\$	Y0601810830	BULB	4	
9	Y0601800682	HOUR METER.....	1.....	S/N 5890024 AND BELOW
9	Y0601800671	HOUR METER.....	1.....	S/N 5890025 AND ABOVE
10	Y0027403512	MACHINE SCREW	2	
10A	Y0030003500	HEX. NUT	2	
11	Y0601840073	RHEOSTAT (VOLTAGE REGULATOR)	1	
12	Y0601840121	KNOB	1	
13	A5224200604	COVER	1	
14	Y0016906015	HEX. HEAD BOLT	6	
15	A5234500404	RUBBER SEAL	1	
16	A5231700003	SET BOARD, OUTPUT TERMINAL	1	
17	W0840312704	OUTPUT TERMINAL	3	
18	W0801830604	HEX. HEAD BOLT	3	
19	Y0040008000	LOCK WASHER	9	
20	Y0041408000	FLAT WASHER	12	
21	Y0039308000	HEX NUT	6	
22	W0801832304	TERMINAL SCREW	1	
23	Y0039306000	HEX. NUT	5	
24	Y0040006000	LOCK WASHER	2	
25	Y0041406000	FLAT WASHER	6	
26	A5234500304	RUBBER SEAL	1	
27	Y0016906025	HEX. HEAD BOLT	4	
28	A5237100804	COVER, OUTPUT TERMINAL	1	
28A	A5237400204	RUBBER SHEET	1	
29	W0805088304	COLLAR	2	
30	W0805088004	STAY RUBBER	1	
31	Y0016906020	HEX. HEAD BBOLT	2	
32	Y0207006000	HEX. NUT	1	
33	Y0016906015	HEX. HEAD BOLT	2	

ELECTRIC PARTS ASSY.

ADD THE FOLLOWING DIGITS AFTER THE PART NUMBER WHEN ORDERING ANY PAINTED PANEL TO INDICATE COLOR OF UNIT:

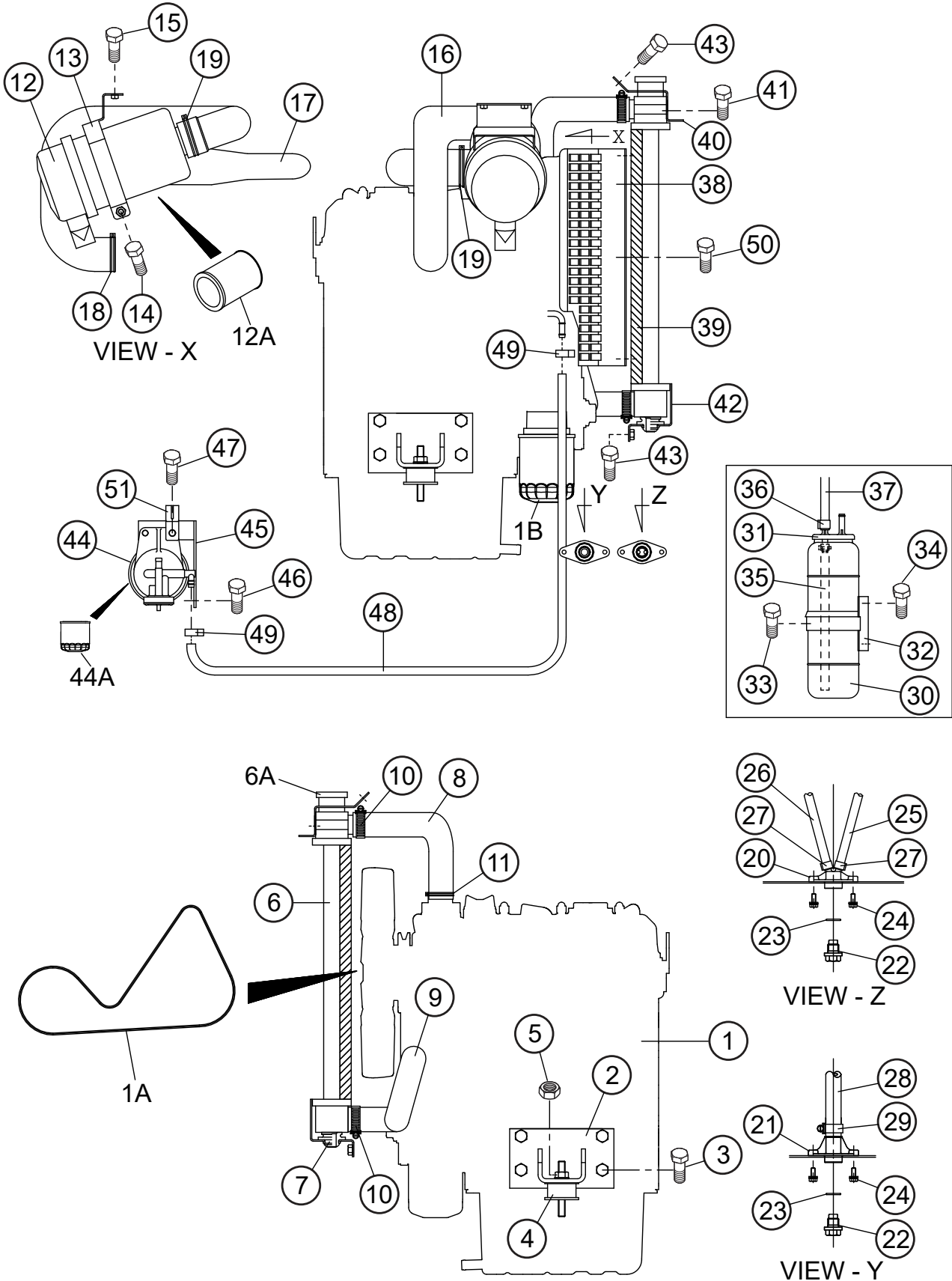
- | | |
|-----------------|----------------------|
| 1-ORANGE | 6-CATERPILLAR YELLOW |
| 2-WHITE | 7-CATO GOLD |
| 3-SPECTRUM GREY | 8-RED |
| 4-SUNBELT GREEN | 9-DESERT TAN |
| 5-BLACK | |
- THE SERIAL NUMBER MAY BE REQUIRED.



ELECTRIC PARTS ASSY.

<u>NO.</u>	<u>PART NO.</u>	<u>PART NAME</u>	<u>QTY.</u>	<u>REMARKS</u>
1	A5261501703	BRACKET ELECTRIC PARTS	1	
2	A5214400004	COVER	1	
2A	Y0226900050	RUBBER SEAL	1	
3	Y0016906016	HEX. HEAD BOLT	6	
4	Y0016906016	HEX. HEAD BOLT	3	
5	Y0601842267	RESISTOR	1	
6	Y0027104012	MACHINE SCREW	2	
7	Y0601820038	RECTIFIER	1	
8	Y0027104020	MACHINE SCREW	2	
9	Y0602201273	LAMP TIMER	1	
10	Y0017105016	HEX. HEAD BOLT	1	
11	Y0602200475	EMERGENCY UNIT	1	
12	Y0017105025	HEX. HEAD BOLT	4	
13	Y0601816126	TERMINAL BOARD	1	
14	Y0027105020	MACHINE SCREW	2	
15	Y0601815759	TERMINAL BOARD	1	
16	Y0027104020	MACHINE SCREW	2	
17	A5352500304	FUSE BOX	1	INCLUDES ITEMS W/#
17A#	Y0601806642	FUSE, 5A	4	
17B#	Y0601806643	FUSE, 15A	2	
17C#	Y0601806644	FUSE, 30A	2	
18	Y0027105020	MACHINE SCREW	2	
19	Y0601806640	FUSE, 65A	1	
20	Y0601820663	AUTOMATIC VOLTAGE REGULATOR.....	1	INCLUDES ITEMS W/\$
20A\$	Y0601872529	FUSE, 5A	1	
21	Y0027105015	MACHINE SCREW	4	
22	A5261501804	STAY	1	

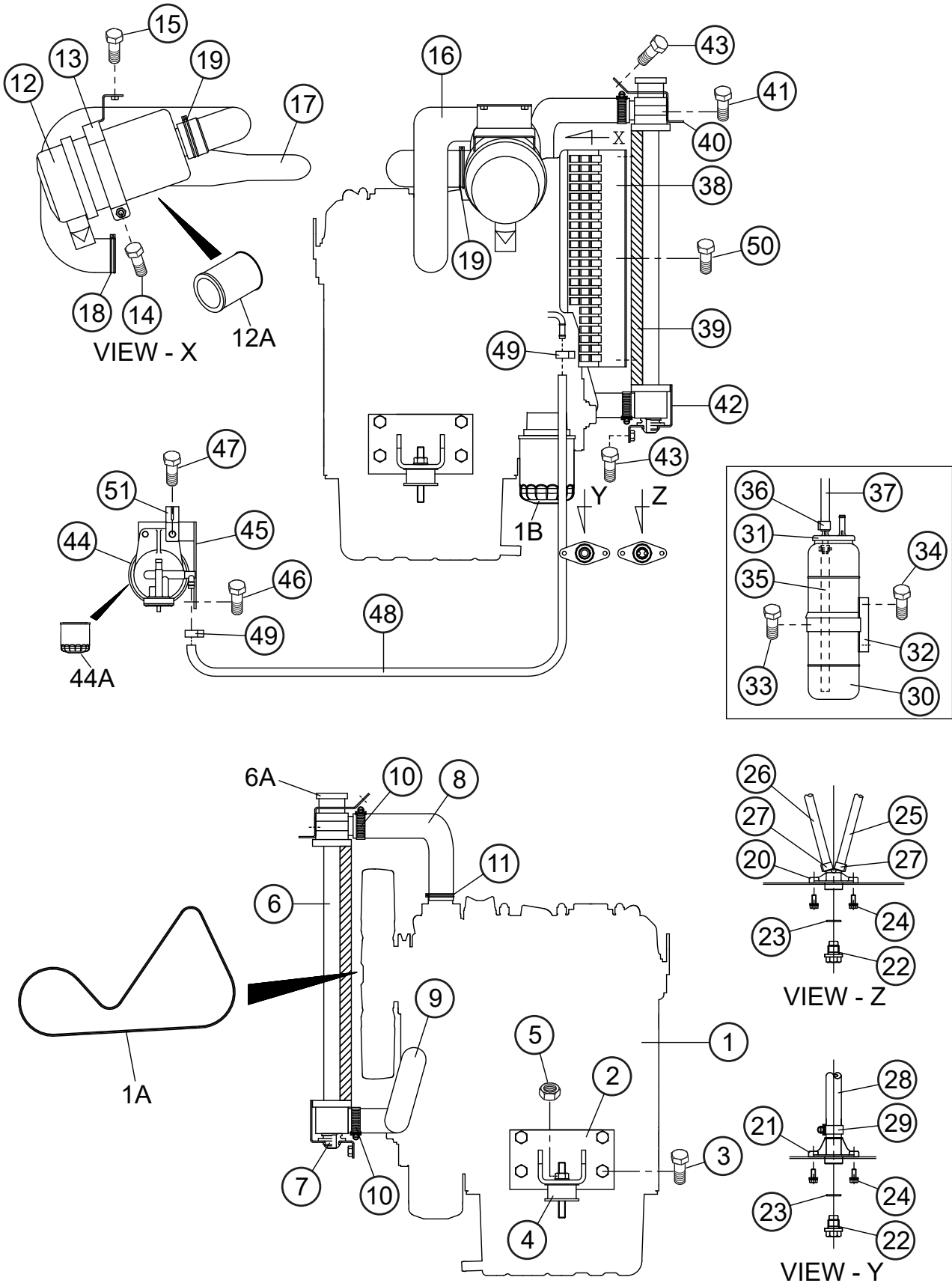
ENGINE AND RADIATOR ASSY.



ENGINE AND RADIATOR ASSY.

<u>NO.</u>	<u>PART NO.</u>	<u>PART NAME</u>	<u>QTY.</u>	<u>REMARKS</u>
1	A5924200234	ENGINE, KUBOTA D1105-E4B.....	1.....	INCLUDES ITEMS W/#
1A#	Y0602015283	FAN BELT	1	
1B#	Y0602041174	CARTRIDGE, OIL FILTER	1	
2	A5304200004	ENGINE FOOT	2	
3	Y0341110025	HEX. HEAD BOLT	8	
4	W0805083204	RUBBER SUSPENSION	2	
5	Y0207010000	HEX. NUT	2	
6	Y0602012784	RADIATOR.....	1.....	INCLUDES ITEMS W/\$
6A\$	Y0602011079	CAP, RADIATOR	1	
7	B1312600004	RUBBER MOUNT	2	
8	A5311500013	UPPER RADIATOR HOSE	1	
9	A5311500103	LOWER RADIATOR HOSE	1	
10	Y0605515134	HOSE BAND	2	
11	Y0605515030	HOSE BAND	2	
12	Y0602046204	AIR CLEANER.....	1.....	INCLUDES ITEMS W/%
12A%	Y0602046337	ELEMENT, AIR CLEANER	1	
13	A5374200003	BAND, AIR CLEANER	1	
14	Y00171108030	HEX. HEAD BOLT	1	
15	Y0016906015	HEX. HEAD BOLT	2	
16	W7552032003	HOSE, AIR CLEANER	1	
17	W7812036404	HOSE, AIR CLEANER	1	
18	Y0605515298	HOSE BAND	1	
19	Y0605515021	HOSE BAND	2	
20	W1622014103	DRAIN JOINT, WATER	1	
21	W1502025103	DRAIN JOINT, OIL	1	
22	W0802011104	PLUG	2	
23	Y0150000018	O-RING	2	
24	Y0016906015	HEX. HEAD BOLT	4	
25	Y0199900800	DRAIN HOSE	1	
26	Y0199900420	DRAIN HOSE	1	
27	Y0605515094	HOSE BAND	4	
28	Y0192200400	DRAIN HOSE	1	
29	Y0605515064	HOSE BAND	2	
30	W0802081403	RESERVE TANK	1	
31	W0802081104	CAP, RESERVE TANK	1	
32	W8702082004	BRACKET, RESERVE TANK	1	
33	Y00171106020	HEX. HEAD BOLT	1	
34	Y00171106015	HEX. HEAD BOLT	2	
35	Y0199100215	HOSE	1	
36	Y0605515094	HOSE BAND	2	
37	Y0199900600	HOSE	1	
38	A5311200003	FAN GUARD	1	
39	Y0220300375	RUBBER SEAL	2	
40	A5311100004	BRACKET, RADIATOR	1	
41	Y0016906010	HEX. HEAD BOLT	2	
42	B0312100304	BRACKET, RADIATOR	1	
43	Y0016908020	HEX. HEAD BOLT	5	

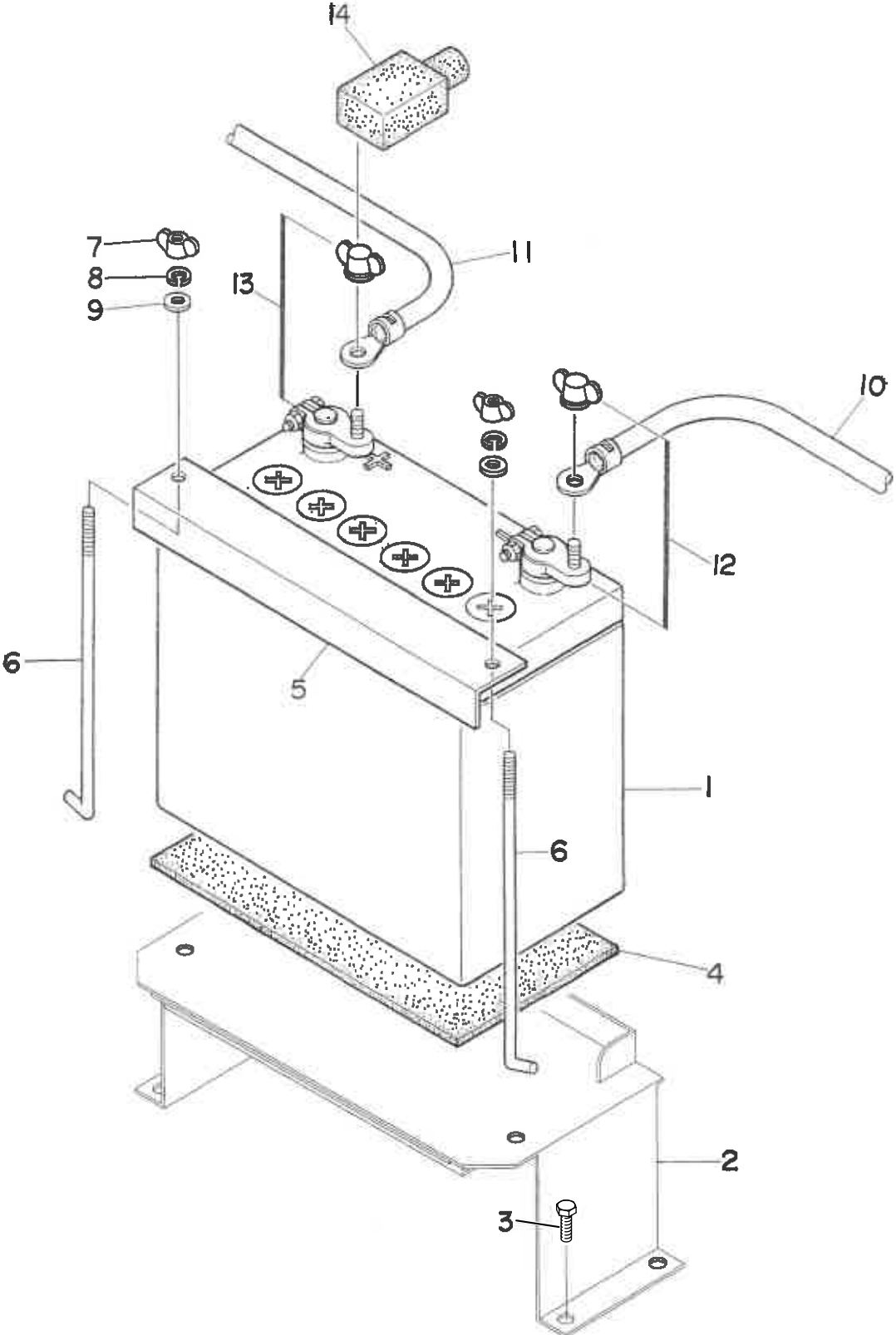
ENGINE AND RADIATOR ASSY. (CONT'D.)



ENGINE AND RADIATOR ASSY. (CONT'D.)

<u>NO.</u>	<u>PART NO.</u>	<u>PART NAME</u>	<u>QTY.</u>	<u>REMARKS</u>
44	Y0602042453	FUEL FILTER	1.....	INCLUDES ITEMS W/@
44A@	Y0602042557	ELEMENT, FUEL FILTER	1	
45	W7555527004	BRACKET, FUEL FILTER	1	
46	Y0017108020	HEX. HEAD BOLT	2	
47	Y0017108025	HEX. HEAD BOLT	2	
48	Y0370600800	HOSE	1	
49	Y0605515200	HOSE BAND	1	
50	Y0017106015	HEX. HEAD BOLT	3	
51	Y0602220910	CLAMPER	1	

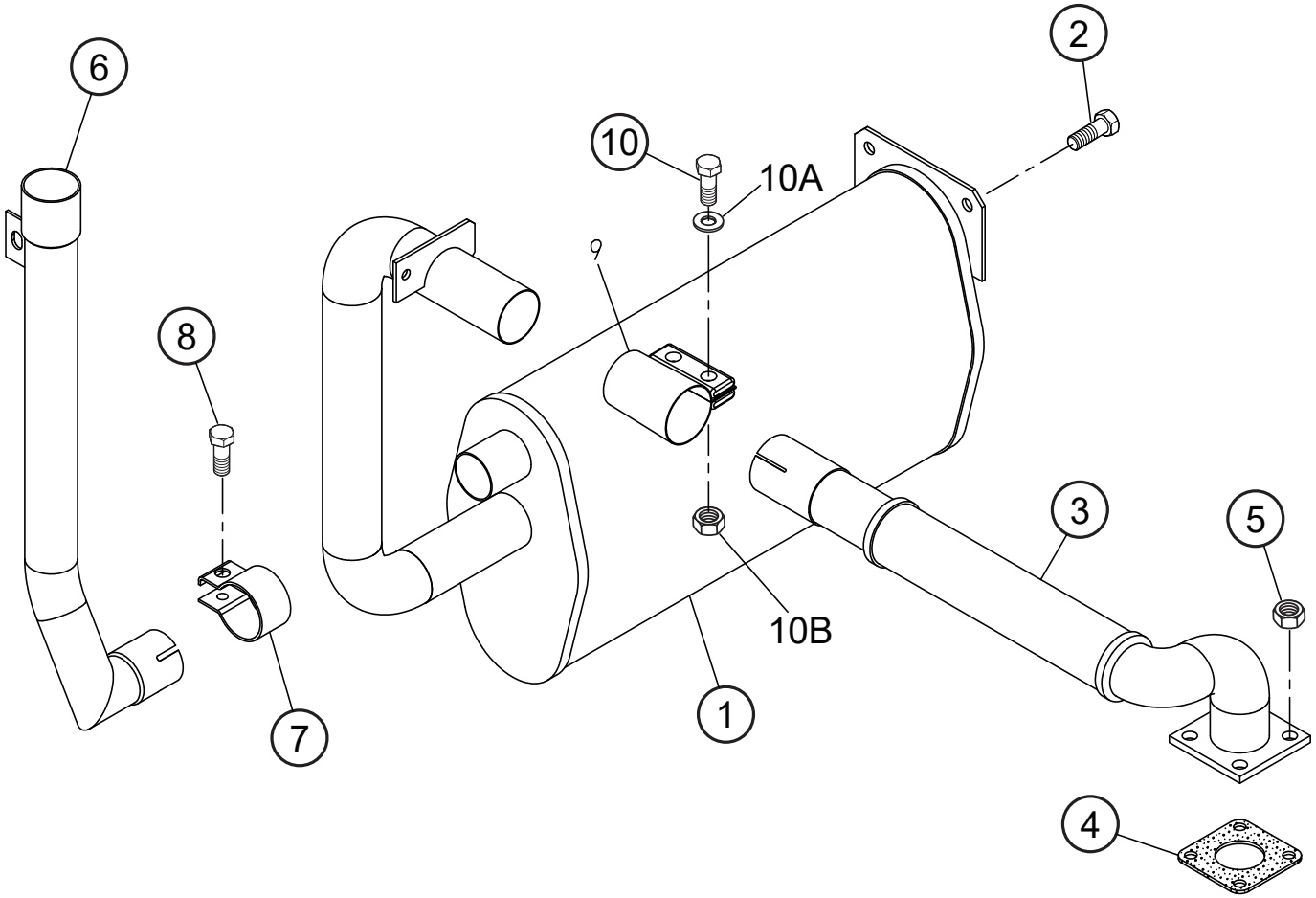
BATTERY ASSY.



BATTERY ASSY.

<u>NO.</u>	<u>PART NO.</u>	<u>PART NAME</u>	<u>QTY.</u>	<u>REMARKS</u>
1	Y0166105524	BATTERY	1	
2	A5414700003	BRACKET	1	
3	Y00171106015	HEX. HEAD BOLT	4	
4	W8722251004	BATTERY SHEET	1	
5	W7552253004	BATTERY BAND	1	
6	W7872251004	BATTERY BOLT	2	
7	Y0037806000	WING NUT	2	
8	Y0040006000	LOCK WASHER	2	
9	Y0041206000	FLAT WASHER	2	
10		BATTERY CABLE, -	1	
11		BATTERY CABLE, +	1	
12	Y0602220313	TERMINAL ASSY.	1	
13	Y0602220312	TERMINAL ASSY.	1	
14	Y0602220600	TERMINAL CAP	1	

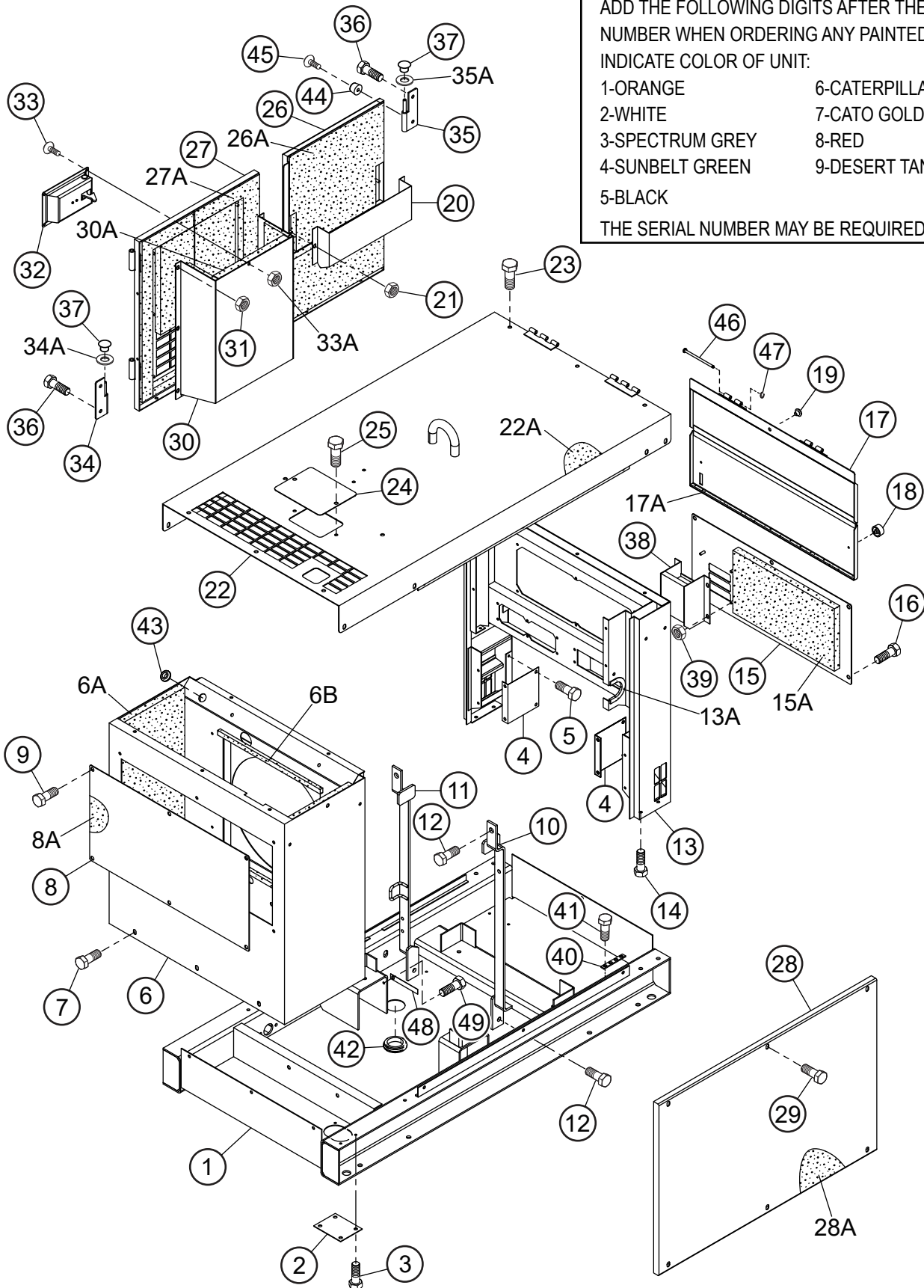
MUFFLER ASSY.



MUFFLER ASSY.

<u>NO.</u>	<u>PART NO.</u>	<u>PART NAME</u>	<u>QTY.</u>	<u>REMARKS</u>
1	A5331101003	MUFFLER	1	
2	Y0016908020	HEX. HEAD BOLT	3	
3	A5334000003	EXHAUST PIPE	1	
4	Y0602320153	GASKET	1	
5	Y0207208000	HEX. NUT	4	
6	A5334101304	TAIL PIPE	1	
7	D9101200004	PIPE BAND	1	
8	Y0012308035	HEX. HEAD BOLT	1	
9	Y0602325094	PIPE BAND	1	
10	Y0341510040	HEX. HEAD BOLT	2	
10A	Y0042410000	PLAIN WASHER	2	
10B	Y0207110000	NUT	2	

ENCLOSURE ASSY.



ADD THE FOLLOWING DIGITS AFTER THE PART NUMBER WHEN ORDERING ANY PAINTED PANEL TO INDICATE COLOR OF UNIT:

1-ORANGE	6-CATERPILLAR YELLOW
2-WHITE	7-CATO GOLD
3-SPECTRUM GREY	8-RED
4-SUNBELT GREEN	9-DESERT TAN
5-BLACK	

THE SERIAL NUMBER MAY BE REQUIRED.

ENCLOSURE ASSY.

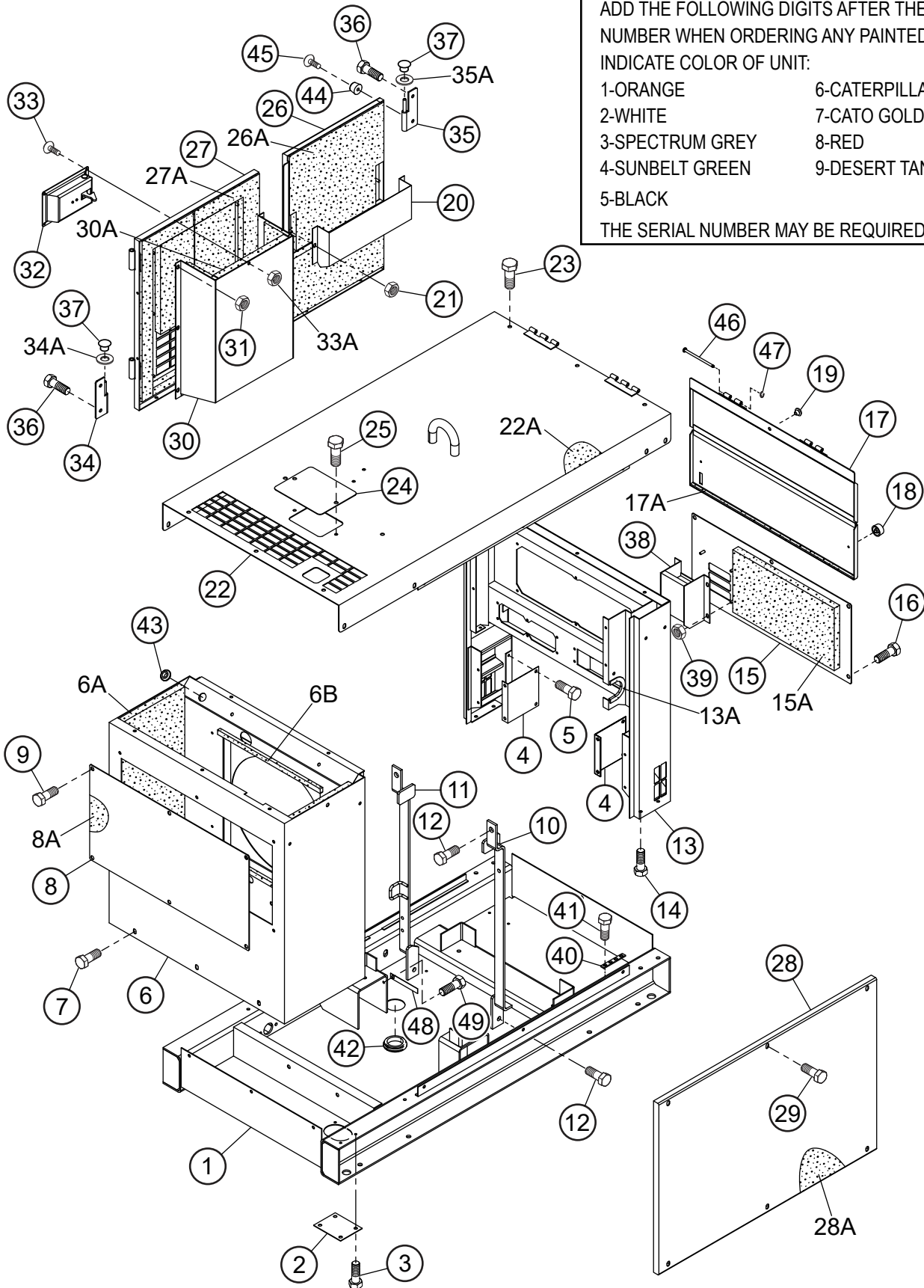
<u>NO.</u>	<u>PART NO.</u>	<u>PART NAME</u>	<u>QTY.</u>	<u>REMARKS</u>
1	A5414001602	BASE	1	
2	A5414801404	COVER	1	
3	Y0016906015	HEX. HEAD BOLT	4	
4	A5444800104	COVER, REAR DUCT	2	
5	Y0017106015	HEX. HEAD BOLT	8	
6	A5424001202	FRONT FRAME	1	
6A	A5494100804	LINING	1	
6B	Y0315900380	RUBBER SEAL	2	
7	Y0016908020	HEX. HEAD BOLT	5	
8	W8435125004	COVER, FRONT FRAME	1	
8A	B0495100804	LINING	1	
9	Y0016908020	HEX. HEAD BOLT	6	
10	A5434300904	HANGER	1	
11	A5434300804	HANGER	1	
12	Y0012312030	HEX. HEAD BOLT	4	
13	A5444002802	REAR FRAME	1	
13A	Y0226900130	RUBBER SEAL	1	
14	Y0016908020	HEX. HEAD BOLT	4	
15	A5444300504	COVER, REAR FRAME	1	
15A	A5494300904	LINING	1	
16	Y0016908020	HEAX. HEAD BOLT	6	
17	A5444201203	DOOR, REAR FRAME	1	
17A	Y0226900605	RUBBER SEAL	1	
18	Y0601851613	STOPPER	2	
19	Y0601851660	STOPPER.....	2.....	S/N 5840066 AND BELOW
19	Y0601851660	STOPPER.....	1.....	S/N 5840067 AND ABOVE
20	A5454600103	DOOR POCKET	1	
21	Y0207006000	HEX. NUT	2	
22	A5464001302	ROOF PANEL	1	
22A	A5494500604	LINING	1	
23	Y0016908020	HEX. HEAD BOLT	14	
24	W8452023004	COVER, RADIATOR CAP	1	
25	Y0016908020	HEX. HEAD BOLT	2	
26	A5454000003	SIDE DOOR	1	
26A	A5494400204	LINING	1	
27	A5454000703	SIDE DOOR	1	
27A	A5494401604	LINING	1	
28	A54541000603	SIDE PANEL	1	
28A	A5494401704	LINGING	1	
29	Y0016908035	HEX. HEAD BOLT	6	
30	A5454300003	DUCT	1	
30A	A5494400304	LINING	1	
31	Y0207006000	HEX. NUT	6	
32	B9114000002	DOOR HANDLE	1	
33	Y0021806015	MACHINE SCREW	4	
33A	Y0030006000	HEX. NUT	4	

ENCLOSURE ASSY. (CONT'D.)

ADD THE FOLLOWING DIGITS AFTER THE PART NUMBER WHEN ORDERING ANY PAINTED PANEL TO INDICATE COLOR OF UNIT:

- | | |
|-----------------|----------------------|
| 1-ORANGE | 6-CATERPILLAR YELLOW |
| 2-WHITE | 7-CATO GOLD |
| 3-SPECTRUM GREY | 8-RED |
| 4-SUNBELT GREEN | 9-DESERT TAN |

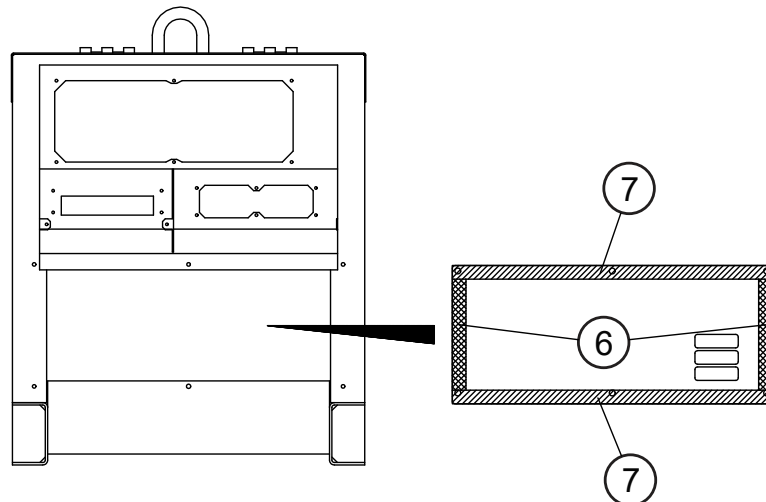
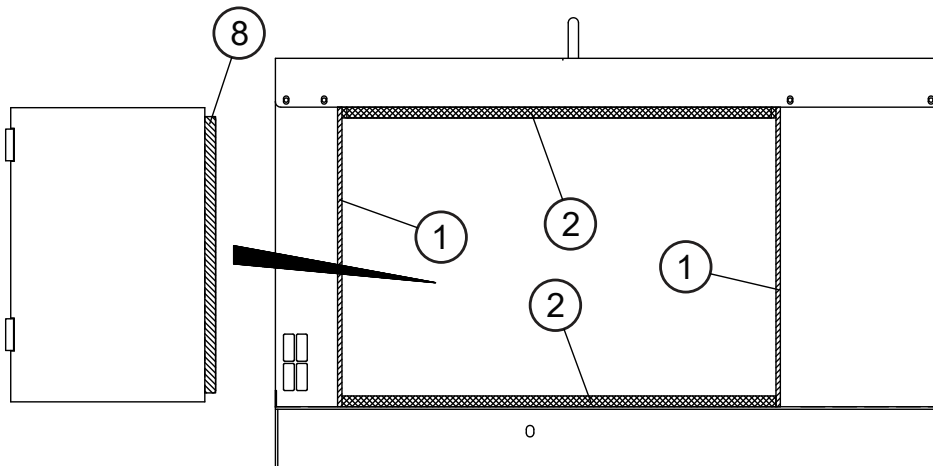
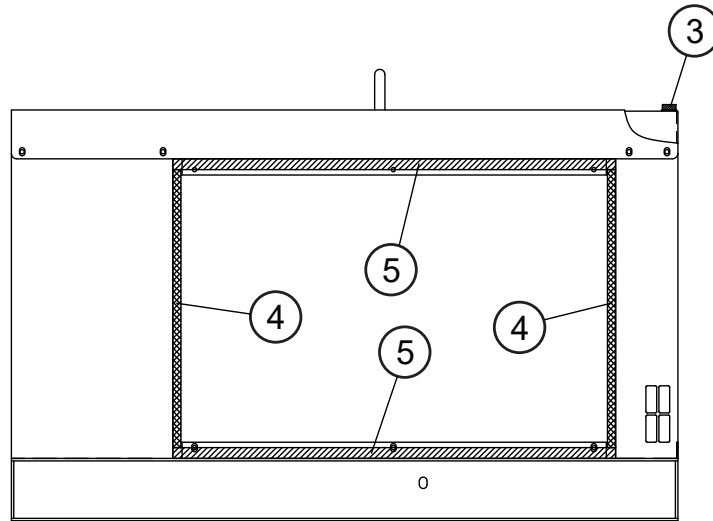
THE SERIAL NUMBER MAY BE REQUIRED.



ENCLOSURE ASSY. (CONT'D.)

<u>NO.</u>	<u>PART NO.</u>	<u>PART NAME</u>	<u>QTY.</u>	<u>REMARKS</u>
34	W0845047204	HINGE	2	
34A	W0845045004	WASHER	2	
35	W0845047104	HINGE	2	
35A	W0845045004	WASHER	2	
36	Y0016908020	HEX. HEAD BOLT	6	
37	W0845031504	CAP	4	
38	A5454300104	DUCT, REAR COVER	1	
39	Y0207006000	HEX. NUT	4	
40	B1262800004	TERMINAL PLATE	2	
41	Y0016906015	HEX. HEAD BOLT	8	
42	Y0601851774	GROMMET	1	
43	Y0601850239	GROMMET	1	
44	Y0601850097	STOPPER	2	
45	Y0027208025	MACHINE SCREW	2	
46	W0810014704	PIN	2	
47	Y0080200004	SNAP RING	2	
48	W0805082804	CLAMPER	1	
49	Y0016906015	HEX. HEAD BOLT	1	

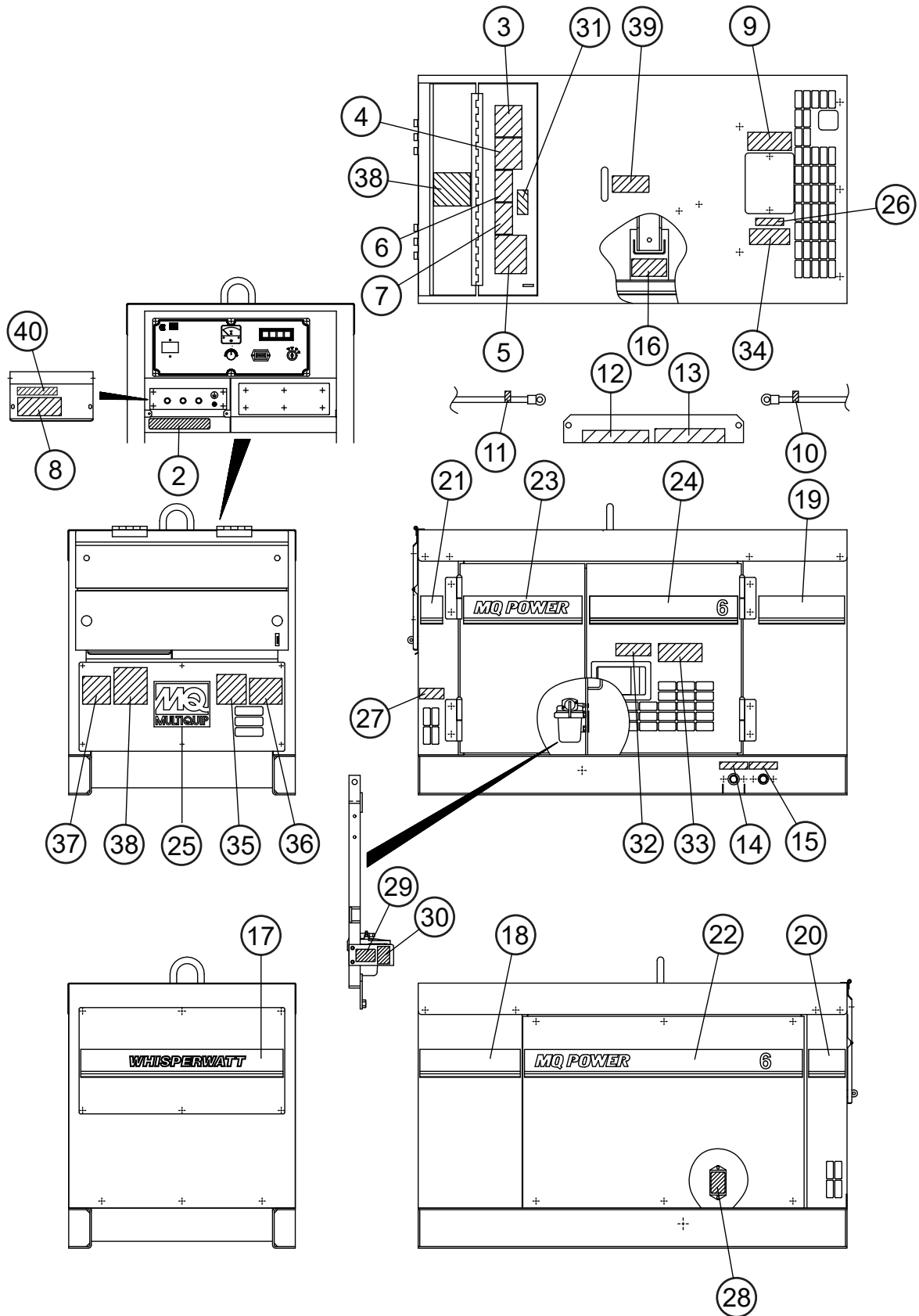
RUBBER SEALS ASSY.



RUBBER SEALS ASSY.

<u>NO.</u>	<u>PART NO.</u>	<u>PART NAME</u>	<u>QTY.</u>	<u>REMARKS</u>
1	Y0229400555	RUBBER SEAL	2	
2	Y0029400810	RUBBER SEAL	2	
3	Y0229200650	RUBBER SEAL	1	
4	Y0221700515	RUBBER SEAL	2	
5	Y0221700820	RUBBER SEAL	2	
6	Y0229200205	RUBBER SEAL	2	
7	Y0229200590	RUBBER SEAL	2	
8	Y0229200515	RUBBER SEAL	1	

NAMEPLATE AND DECALS ASSY.



NAMEPLATE AND DECALS ASSY.

<u>NO.</u>	<u>PART NO.</u>	<u>PART NAME</u>	<u>QTY.</u>	<u>REMARKS</u>
2	A5551002403	DECAL: AC POWER OUTPUT	1.....	A55100240
3	A5552001904	DECAL: OPERATING PROCEDURE	1.....	A55200190
4	A5552002004	DECAL: OPERATING PROCEDURE (FR)	1.....	A55200200
5	A5552001304	DECAL: IMPORTANT CHECK DAILY	1.....	A55200130
6	A3552000304	DECAL: WARNING	1.....	A35200030A
7	A3552000504	DECAL: WARNING (FR).....	1.....	A35200050
8	A6532101004	DECAL: DANGER ELECT. SHOCK HAZ.....	1.....	A63210100A
9	A6532100904	DECAL: WARNING DANGEROUS GAS	1.....	A63210090A
10	W0800689404	DECAL: +	1.....	S-2090
11	W0800689504	DECAL: -	1.....	S-2091
12	A6532101104	DECAL: CAUTION	1.....	A63210110A
13	A6532101404	DECAL: CAUTION (FR).....	1.....	A63210140
14	A6552000704	DECAL: OIL DRAIN	1.....	A65200070
15	A5552001704	DECAL: COOLANT DRAIN.....	1.....	A55200170
16	A5551000414	DECAL: DIESEL FUEL.....	1.....	A55100041
17	A5561100703	DECAL: STRIPE	1	
18	A5561100804	DECAL: STRIPE	1	
19	A5561101204	DECAL: STRIPE	1	
20	A5561100304	DECAL: STRIPE	1	
21	A6561100504	DECAL: STRIPE	1	
22	A5561100903	DECAL: STRIPE MQ POWER	1	
23	A5561101004	DECAL: STRIPE MQ POWER	1	
24	A5561101104	DECAL: STRIPE 6	1	
25	A5562000004	DECAL: MQ.....	1.....	A56200000A
26	A5552000904	DECAL: COOLING WATER	1.....	A55200090
27	A5531104504	DECAL: SPECIFICATION	1.....	A53110450
28	A5552001504	DECAL: FUSE BOX	1.....	A55200150
29	A9508200004	DECAL: FUEL COCK.....	1.....	A90820000
30	A5552001404	DECAL: CAUTION FUEL FILTER.....	1.....	A55200140
31	A3552000004	DECAL: CAUTION	1.....	A35200000A
32	A5552001204	DECAL: CAUTION DOOR	1.....	A55200120
33	A6552000404	DECAL: CAUTION HOT PARTS.....	1.....	A65200040A
34	A5552001804	DECAL: WARNING HOT COOLANT	1.....	A55200180
35	A9511100304	DECAL: DANGER.....	1.....	A91110030
36	A9504000104	DECAL: DANGER.....	1.....	A90400010
37	A9504000204	DECAL: WARNING	1.....	A90400020
38	A5551001004	DECAL: WARNING	2.....	A55100100
39	A9504000304	DECAL: LIFTING CAPACITY.....	1.....	A90400030
40	A9511101804	DECAL: TERMINAL BOLT TORQUE	1.....	A91110180

S/N 5919140

PARTS MANUAL

HERE'S HOW TO GET HELP

PLEASE HAVE THE MODEL AND SERIAL
NUMBER ON HAND WHEN CALLING

UNITED STATES

Multiquip Inc.

(310) 537- 3700
6141 Katella Avenue Suite 200
Cypress, CA 90630
E-MAIL: mq@multiquip.com
WEBSITE: www.multiquip.com

CANADA

Multiquip

(450) 625-2244
4110 Industriel Boul.
Laval, Quebec, Canada H7L 6V3
E-MAIL: infocanada@multiquip.com

UNITED KINGDOM

Multiquip (UK) Limited Head Office

0161 339 2223
Unit 2, Northpoint Industrial Estate, Globe Lane,
Dukinfield, Cheshire SK16 4UJ
E-MAIL: sales@multiquip.co.uk

© COPYRIGHT 2023, MULTIQUIP INC.

Multiquip Inc, the MQ logo are registered trademarks of Multiquip Inc. and may not be used, reproduced, or altered without written permission. All other trademarks are the property of their respective owners and used with permission.

This manual MUST accompany the equipment at all times. This manual is considered a permanent part of the equipment and should remain with the unit if resold.

The information and specifications included in this publication were in effect at the time of approval for printing. Illustrations, descriptions, references and technical data contained in this manual are for guidance only and may not be considered as binding. Multiquip Inc. reserves the right to discontinue or change specifications, design or the information published in this publication at any time without notice and without incurring any obligations.

Manufactured for
MQ Power Inc.
by
DENYO MANUFACTURING CORP.

