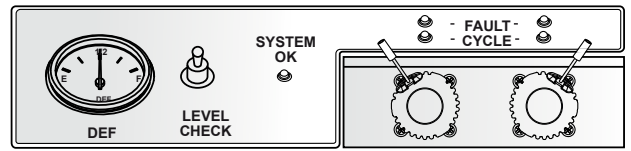
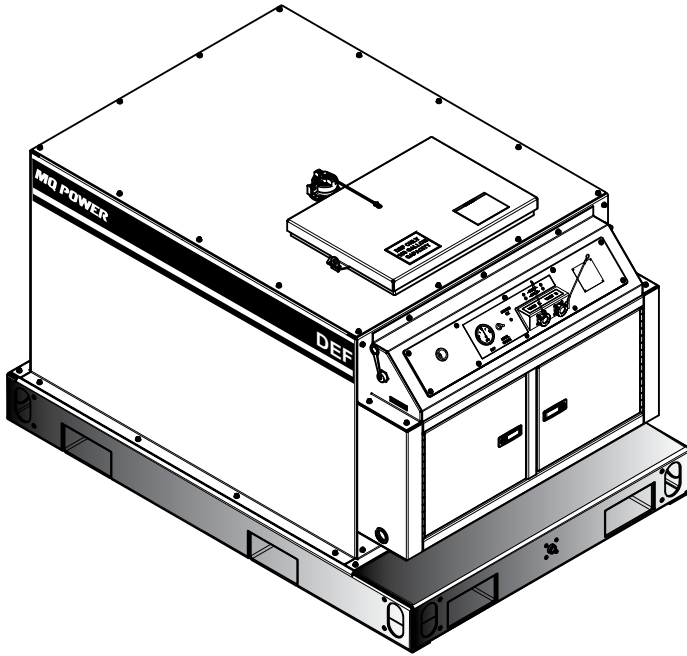




DEFTANK

DEF Replenishment System



DEF CONTROL PANEL

STANDARD FEATURES

- CANBUS DEF level monitoring for any tier 4 final application.
- Designed to automatically maintain DEF fluid level for up to two engine assemblies simultaneously with no operator involvement.
- Digital controller provides automated sensing, pumping, purging and shutdown to maintain onboard DEF tank levels.
- Heavy duty, galvanized, skid base with fork pockets and tie downs.
- Easy fill top mounted tank port for quick access.
- Rugged textured powder-coated housing and base for longevity.
- 25-Foot DEF refilling hoses housed within a lockable front compartment.
- Easy access drain port for serviceability.

OPTIONAL EQUIPMENT

- DEFTANK2 — Tank auto fill 100 gallons dual unit
- DEFTANK2KIT — Kit converts DEFTANK1 to DEFTANK2
- DEFADAPTERKITA — DEF unit connection kit DCA70-1251T4F
- DEFADAPTERKITB — DEF unit connection kit DCA705D T4F
- DEFADAPTERKITC — DEF unit connection kit DCA150-300T4F

SPECIFICATIONS

Unit Specifications		
	DEFTANK1	DEFTANK2
System Voltage Requirements	12 VDC MAX	
Amperage Requirements	5.0 Amps	5.0 Amps x 2
Flow Rate	.75 GPM	.75 GPM x 2
Fluid Pressure	5 PSI MAX	
External Hose Length	25 FT	25 FT x 2
Communication Cable	25 FT	25 FT x 2

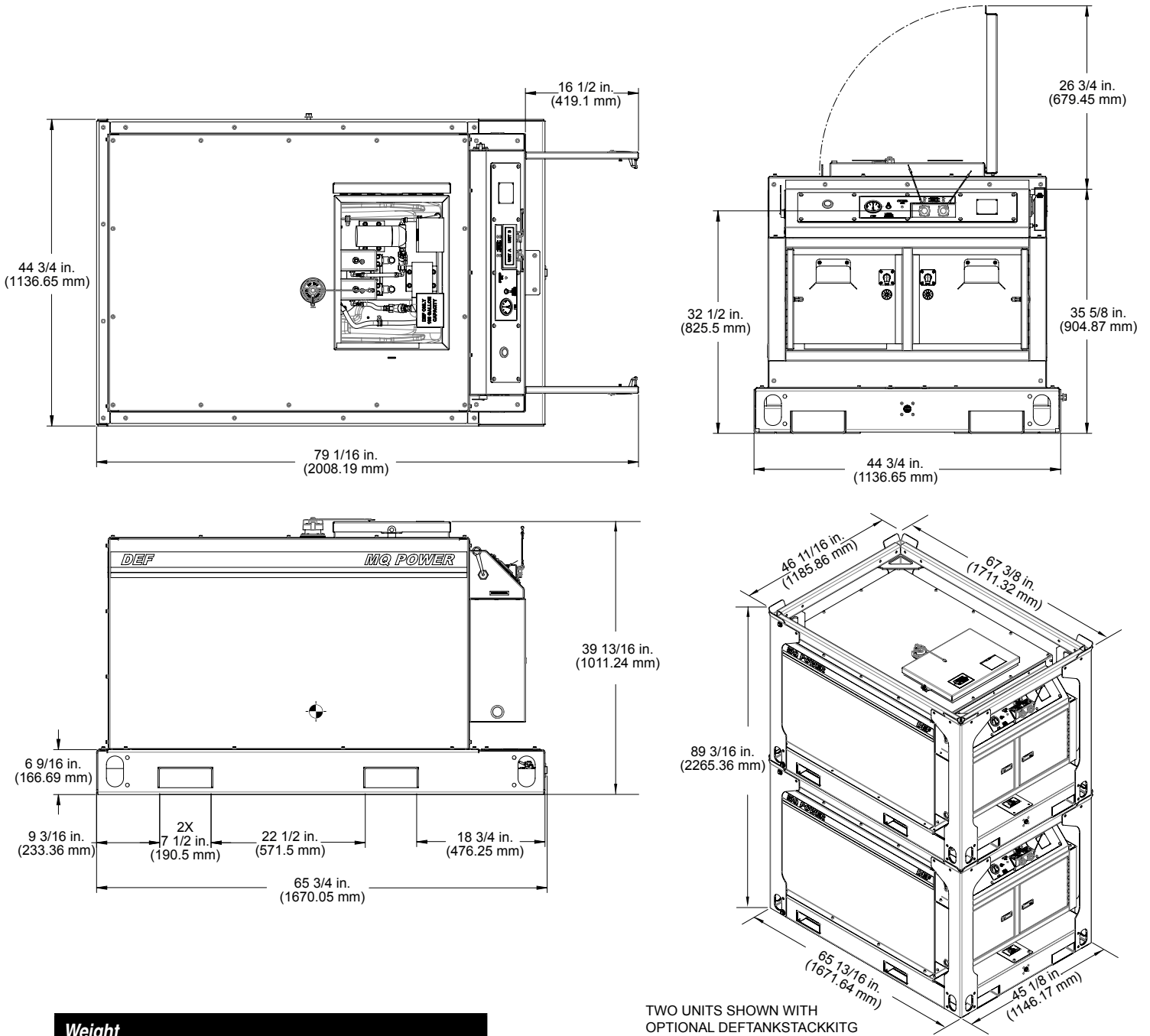
DEF Capacity	
Tank Capacity	100 gallons (379 liters)
Fluid Type	Diesel Exhaust Fluid /Complies with ISO-2224

- DEFADAPTERKITD — DEF unit connection kit DCA400 T4F
- DEFTANKHEATPAD — Heated pad 1500W 120VAC
- DEFHOSEHEAT — Heated hose DCA150-400 T4F 20ft
- DEFTANKSTACKKITP — 4-Point Lift & Stack Assy (Black Paint)
- DEFTANKSTACKKITG — 4-Point Lift & Stack Assy (Galvanized)



DEFTANK

DEF Replenishment System



Weight

Dry Weight	1,003 lbs. (455 kg)
Wet Weight	1,903 lbs. (863 kg)
Max. Lifting Eye Capacity	3,000 lbs. (1,360 kg)

WARRANTY

24 months from date of purchase.

Features and specifications are subject to change without notice.

© COPYRIGHT 2019 MULTIQUIP INC.

DEFTANK Rev. #3 (07/12/19)



MULTIQUIP
 POST OFFICE BOX 6254
 CARSON, CA 90749
 310-537-3700 • 800-883-2551
 FAX: 310-604-3831
 E-MAIL: sales@multiquip.com
 WEBSITE: www.multiquip.com