

PARTS MANUAL



MODEL G55H GASOLINE VIBRATOR (HONDA GX160K1QX2 GASOLINE ENGINE)

Revision #1 (07/08/21)

To find the latest revision of this publication or associated operation manual, visit our website at: www.multiquip.com



THIS MANUAL MUST ACCOMPANY THE EQUIPMENT AT ALL TIMES.

Multiquip G55H Gasoline Vibrator

Table Of Contents.....	2
Explanation Of Code In Remarks Column.....	4
Suggested Spare Parts	5

Component Drawings

Nameplate And Decals Assembly	6-7
Eccentric/Body Assembly	8-9
Pivot Assembly	10-11
Air Cleaner Assembly	12-13
Engine Service Parts Assembly	14-15

NOTICE

Specifications and part numbers are subject to change without notice.

EXPLANATION OF CODE IN REMARKS COLUMN

The following section explains the different symbols and remarks used in the Parts section of this manual. Use the help numbers found on the back page of the manual if there are any questions.

NOTICE

The contents and part numbers listed in the parts section are subject to change **without notice**. Multiquip does not guarantee the availability of the parts listed.

SAMPLE PARTS LIST

NO.	PART NO.	PART NAME	QTY.	REMARKS
1	12345	BOLT	1	INCLUDES ITEMS W/%
2%		WASHER, 1/4 IN.		NOT SOLD SEPARATELY
2%	12347	WASHER, 3/8 IN. ...	1	MQ-45T ONLY
3	12348	HOSE	A/R	MAKE LOCALLY
4	12349	BEARING	1	S/N 2345B AND ABOVE

NO. Column

Unique Symbols — All items with same unique symbol (@, #, +, %, or >) in the number column belong to the same assembly or kit, which is indicated by a note in the “Remarks” column.

Duplicate Item Numbers — Duplicate numbers indicate multiple part numbers, which are in effect for the same general item, such as different size saw blade guards in use or a part that has been updated on newer versions of the same machine.

NOTICE

When ordering a part that has more than one item number listed, check the remarks column for help in determining the proper part to order.

PART NO. Column

Numbers Used — Part numbers can be indicated by a number, a blank entry, or TBD.

TBD (To Be Determined) is generally used to show a part that has not been assigned a formal part number at the time of publication.

A blank entry generally indicates that the item is not sold separately or is not sold by Multiquip. Other entries will be clarified in the “Remarks” Column.

QTY. Column

Numbers Used — Item quantity can be indicated by a number, a blank entry, or A/R.

A/R (As Required) is generally used for hoses or other parts that are sold in bulk and cut to length.

A blank entry generally indicates that the item is not sold separately. Other entries will be clarified in the “Remarks” Column.

REMARKS Column

Some of the most common notes found in the “Remarks” Column are listed below. Other additional notes needed to describe the item can also be shown.

Assembly/Kit — All items on the parts list with the same unique symbol will be included when this item is purchased.

Indicated by:

“INCLUDES ITEMS W/(unique symbol)”

Serial Number Break — Used to list an effective serial number range where a particular part is used.

Indicated by:

“S/N XXXXX AND BELOW”

“S/N XXXX AND ABOVE”

“S/N XXXX TO S/N XXX”

Specific Model Number Use — Indicates that the part is used only with the specific model number or model number variant listed. It can also be used to show a part is NOT used on a specific model or model number variant.

Indicated by:

“XXXXX ONLY”

“NOT USED ON XXXX”

“Make/Obtain Locally” — Indicates that the part can be purchased at any hardware shop or made out of available items. Examples include battery cables, shims, and certain washers and nuts.

“Not Sold Separately” — Indicates that an item cannot be purchased as a separate item and is either part of an assembly/kit that can be purchased, or is not available for sale through Multiquip.

SUGGESTED SPARE PARTS

G55H GASOLINE VIBRATOR W/HONDA GX160K1QX2 GASOLINE ENGINE

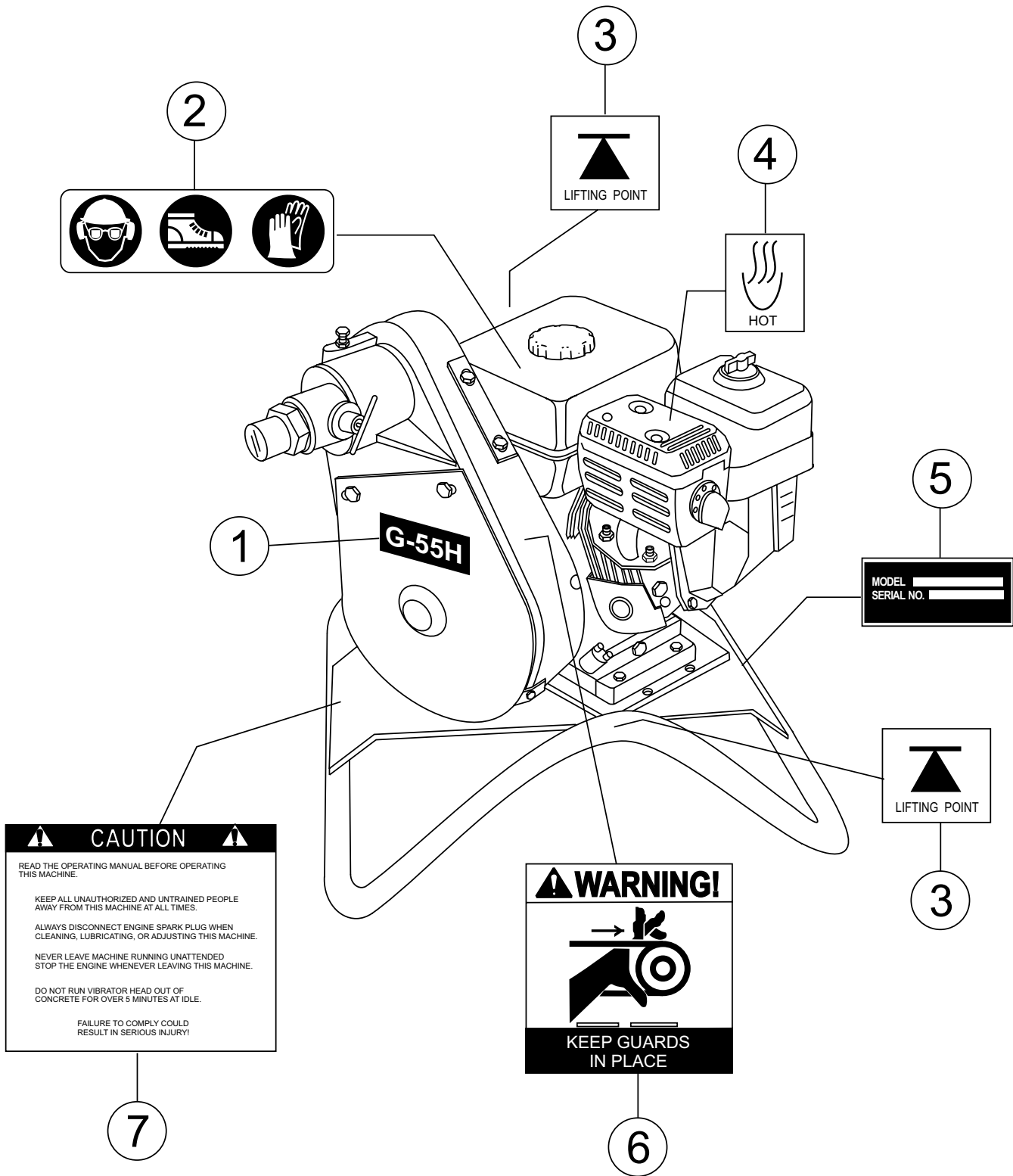
1 to 3 units

Qty.	P/N	Description
3.....	9807956846.....	SPARK PLUG
3.....	17210ZE1505.....	ELEMENT, AIR CLEANER
3.....	17218ZE1821.....	FILTER, OUTER
1.....	28462ZH8003.....	ROPE, RECOIL STARTER
1.....	28461ZH8003.....	GRIP, RECOL STARTER
1.....	17620ZH7023.....	CAP, W/GASKET FUEL FILLER
4.....	16052.....	V-BELT 3VX335

NOTICE

Part numbers on this Suggested Spare Parts list may supersede/replace the part numbers shown in the following parts lists.

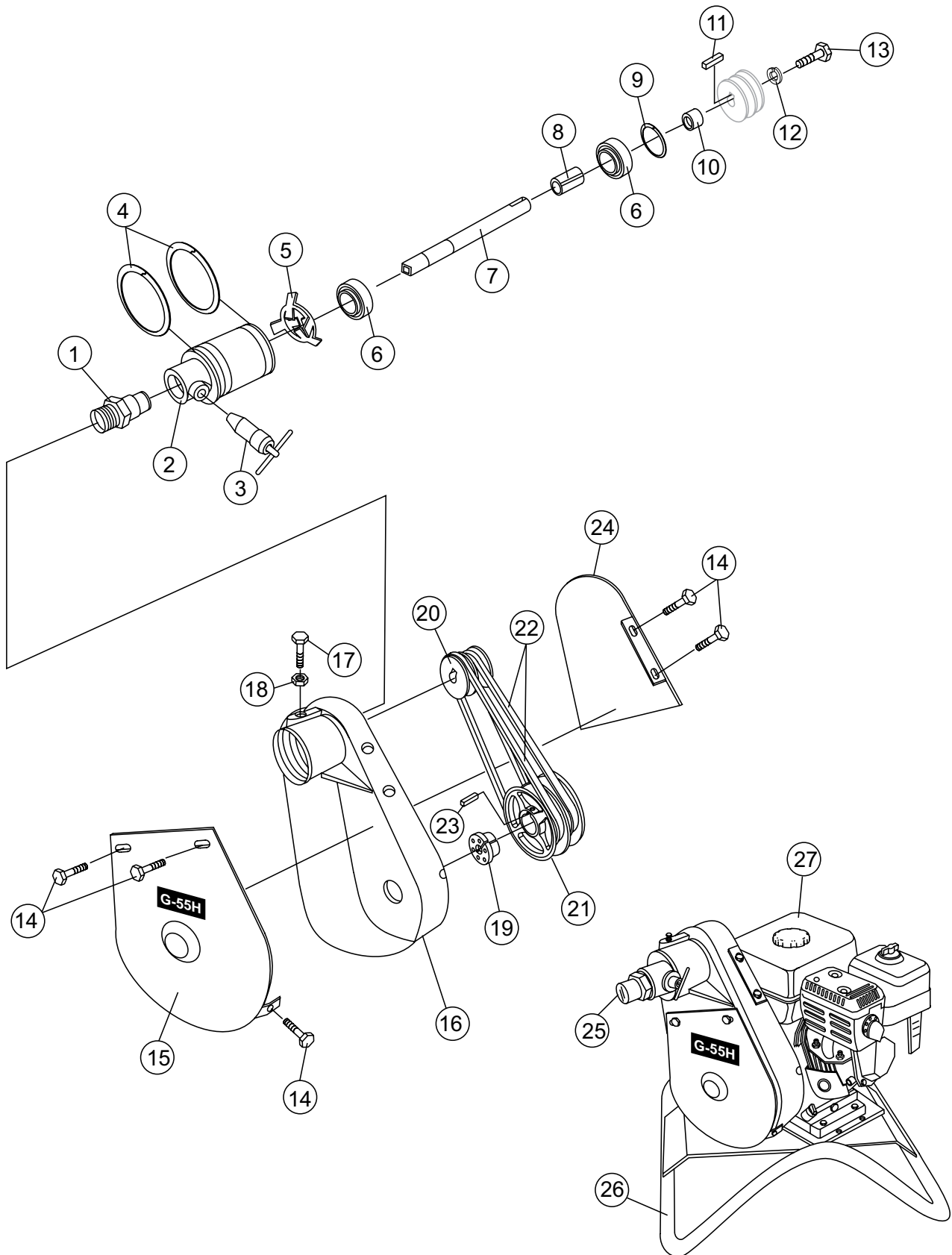
NAMEPLATE AND DECALS ASSY.



NAMEPLATE AND DECALS ASSY.

<u>NO.</u>	<u>PART NO.</u>	<u>PART NAME</u>	<u>QTY.</u>	<u>REMARKS</u>
1	36521	DECAL, G-55H	1	
2	11247	DECAL, HELMET, BOOT, GLOVES (ISO BLACK)	1	
3	11246	DECAL, LIFT POINT	2.....	PART OF DECAL KIT 11246
4	11246	DECAL, HOT SURFACE	1.....	PART OF DECAL KIT 11246
5		NAMEPLATE	1.....	CONTACT MQ PARTS DEPT.
6	21665	DECAL, WARNING, KEEP GUARDS IN PLACE	2	
7	25883-001	DECAL, CAUTION, READ MANUAL	1	

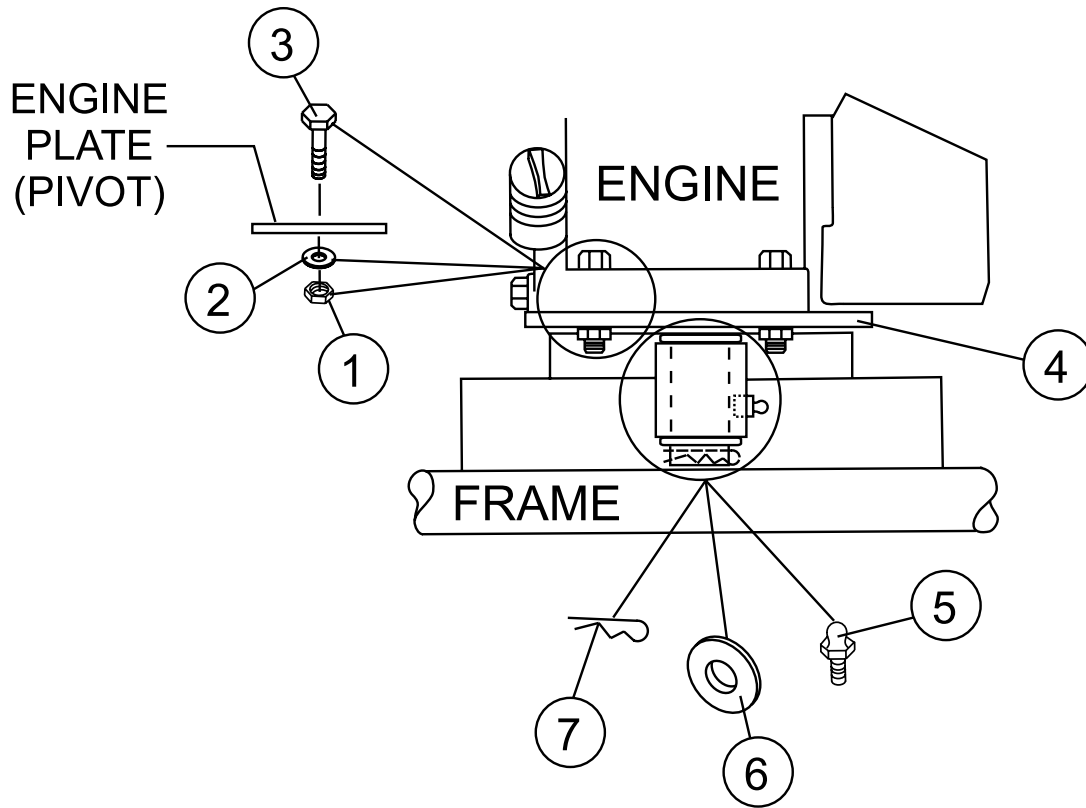
ECCENTRIC/BODY ASSY.



ECCENTRIC/BODY ASSY.

<u>NO.</u>	<u>PART NO.</u>	<u>PART NAME</u>	<u>QTY.</u>	<u>REMARKS</u>
1	36248	COUPLING, SHAFT	1	
2	18045-501	ECCENTRIC ASSY.....	1.....	INCLUDES ITEMS W/#
3#	25015-501	LOCK ASSEMBLY	1	
4#	08752-275	SNAP RING	2	
5#	06330-002	BEARING SPRING	1	
6#	14043-017	BEARING	2	
7#	14546-001	SPINDLE	1	
8#	08601-045	SPACER, SPLIT	1	
9#	08751-156	SNAP RING	1	
10#	06467-062	SPACER	1	
11#	584013	KEY 3/16"X3/16"X1"	1	
12#	2037	LOCK WASHER 5/16"	1	
13#	20875	CAP SCREW 5/16"-18 X 3/4"	1	
14	22538-001	SCREW-THREAD FORMING	8	
15	25845-001	BELT GUARD (FRONT)	1	
16	18024-001	HOUSING	1	
17	0202	SCREW, HHC 5/16"-18X1	1	
18	0106	NUT, HEX JAM 5/16"-18	1	
19	36517	QD BUSHING	1	
20#	18044-001	PULLEY (UPPER)	1	
21	36516	PULLEY (LOWER)	1	
22	16052	BELT 3VX335	2	
23	0627	KEY-3/16 SQ. X 1-1/4"	1	
24	25846-001	BELT GUARD (REAR)	1	
25#	11534-018	CAP, DUST	1	
26	27100-351	FRAME ASSEMBLY	1	
27	1386	ENGINE-5.5 HP HONDA	1	
28#	23429-001	ADAPTER FITTING 382 QD COUPLING		

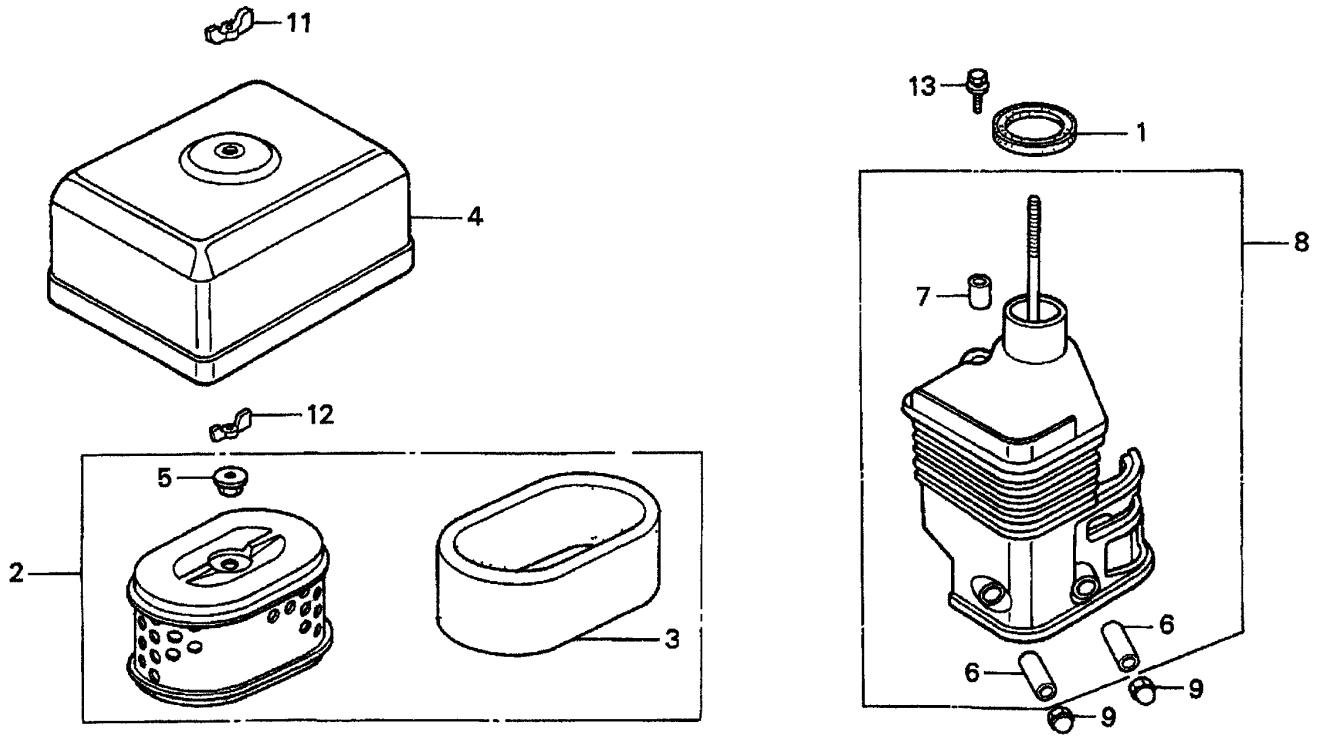
PIVOT ASSY.



PIVOT ASSY.

<u>NO.</u>	<u>PART NO.</u>	<u>PART NAME</u>	<u>QTY.</u>	<u>REMARKS</u>
1	5283	NUT-GRIPCO 5/16-18	4	
2	0300 B	FLAT WASHER 5/16"	4	
3	0105	HHCS 5/16-18 X 1-1/2"	4	
4	27108-351	ENGINE PLATE-PIVOT	1	
5	2621	GREASE FITTING	1	
6	3264	FLAT WASHER 1"	2	
7	07028-057	COTTER PIN 5/32" X 1-1/2"	1	

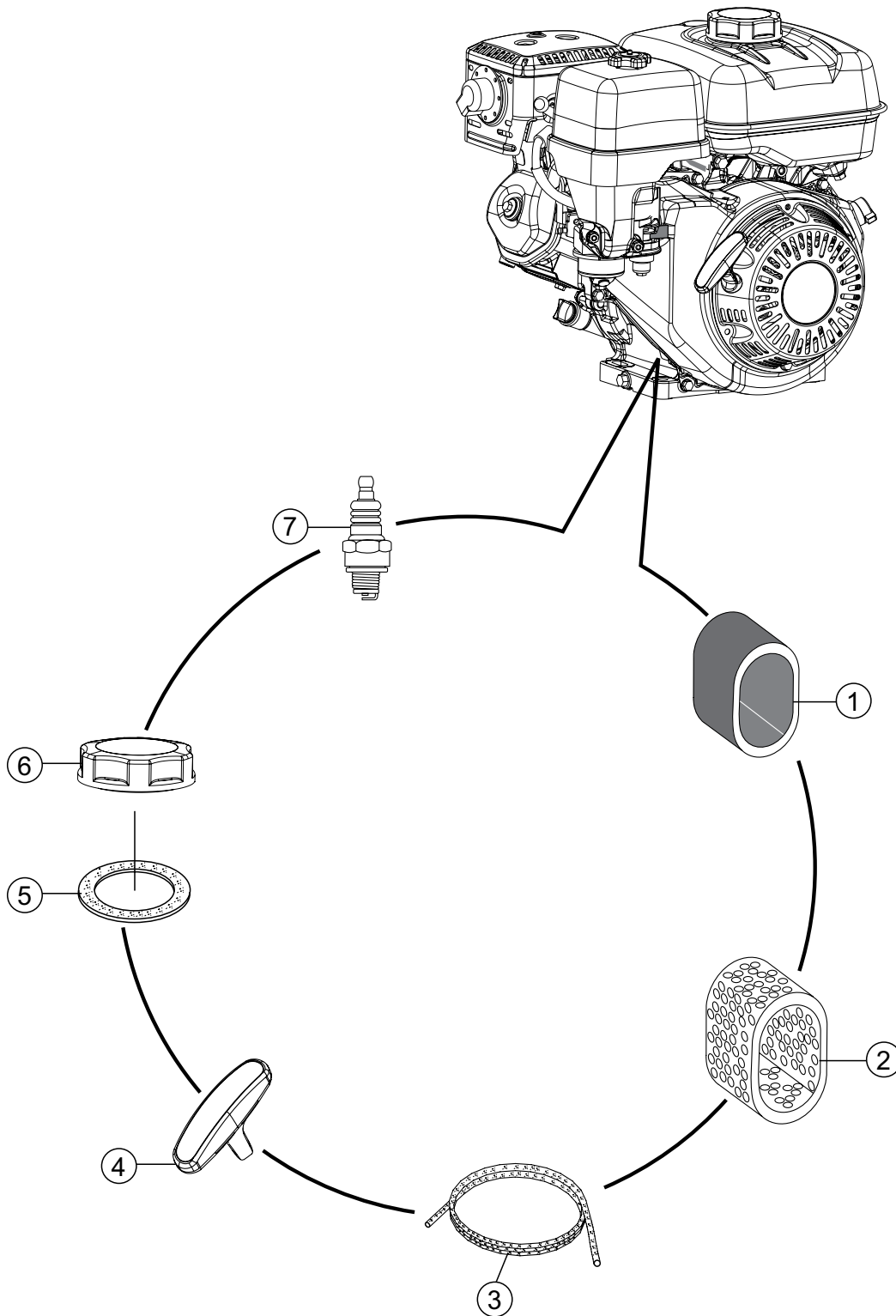
AIR CLEANER ASSY.



AIR CLEANER ASSY.

<u>NO.</u>	<u>PART NO.</u>	<u>PART NAME</u>	<u>QTY.</u>	<u>REMARKS</u>
1	16271ZE1000	GASKET, ELBOW	1	
2	17210ZE1505	ELEMENT, AIR CLEANER (DUAL).....	1.....	INCLUDES ITEMS W/\$
3\$	17218ZE1821	FILTER, OUTER	1	
4	17230ZE1820	COVER, AIR CLEANER (DUAL)	1	
5\$	17232891000	GROMMET, AIR CLEANER	1	
6@	17238ZE7010	COLLAR, AIR CLEANER	2	
7@	17239ZE1000	COLLAR B, AIR CLEANER	1	
8	17410ZE1020	ELBOW, AIR CLEANER	1.....	INCLUDES ITEMS W/@
9	90201415000	NUT, CAP 6MM	2	
11	90325044000	WINGNUT, TOOL BOX SETTING	1	
12	90325044000	WINGNUT, TOOL BOX SETTING	1	
13	957010602000	BOLT, FLANGE 6 X 20	1	

ENGINE SERVICE PARTS ASSY.



ENGINE SERVICE PARTS ASSY.

<u>NO.</u>	<u>PART NO.</u>	<u>PART NAME</u>	<u>QTY.</u>	<u>REMARKS</u>
1	17218ZE1821	FILTER, OUTER	1	
2	17210ZE1505	ELEMENT, AIR CLEANER (DUAL)	1	
3	28462ZH8003	ROPE, RECOIL STARTER	1	
4	28461ZH8003	GRIP, RECOIL STARTER	1	
5#	17631ZH7003	GASKET, FUEL CAP	1	
6	17620ZH7023	CAP, FUEL TANK.....	1.....	INCLUDES ITEM W/#
7	9807956846	SPARK PLUG BPR6ES (NGK)	1	

PARTS MANUAL

HERE'S HOW TO GET HELP

PLEASE HAVE THE MODEL AND SERIAL
NUMBER ON-HAND WHEN CALLING

UNITED STATES

Multiquip Inc.

(310) 537- 3700
6141 Katella Avenue Suite 200
Cypress, CA 90630
E-MAIL: mq@multiquip.com
WEBSITE: www.multiquip.com

CANADA

Multiquip

(450) 625-2244
4110 Industriel Boul.
Laval, Quebec, Canada H7L 6V3
E-MAIL: infocanada@multiquip.com

UNITED KINGDOM

Multiquip (UK) Limited Head Office

0161 339 2223
Unit 2, Northpoint Industrial Estate,
Globe Lane,
Dukinfield, Cheshire SK16 4UJ
E-MAIL: sales@multiquip.co.uk

© COPYRIGHT 2021, MULTIQUIP INC.

Multiquip Inc, the MQ logo are registered trademarks of Multiquip Inc. and may not be used, reproduced, or altered without written permission. All other trademarks are the property of their respective owners and used with permission.

This manual MUST accompany the equipment at all times. This manual is considered a permanent part of the equipment and should remain with the unit if resold.

The information and specifications included in this publication were in effect at the time of approval for printing. Illustrations, descriptions, references and technical data contained in this manual are for guidance only and may not be considered as binding. Multiquip Inc. reserves the right to discontinue or change specifications, design or the information published in this publication at any time without notice and without incurring any obligations.

