

PARTS MANUAL



MODEL GA9.7HEA SERIES **GA9.7HEA, GA9.7HEANC and GA9.7HEANC2** **60 Hz GENERATOR** **(HONDA GX630 GASOLINE ENGINE)**

REF. NO. A6874200004L

Revision #8 (06/22/26)

To find the latest revision of this publication or associated operation manual, visit our website at: www.multiquip.com



**GA9.7HEA, GA9.7HEANC
and GA9.7HEANC2
60 Hz Portable Generators**

Explanation of Code in Remarks Column..... 4
Suggested Spare Parts 5

Component Drawings

Nameplate and Decals Assembly..... 6-7
Generator Assembly 8-9
Control Box Assy. (S/N 5681188 and Below) ... 10-11
Control Box Assy. (S/N 5681189 and Above) .. 12-15
Pipe Frame Assembly..... 16-19
Battery Assembly 20-21
Engine Service Parts 22-23

<p>NOTICE</p> <p>Specifications and part numbers are subject to change without notice.</p>

EXPLANATION OF CODE IN REMARKS COLUMN

The following section explains the different symbols and remarks used in the Parts section of this manual. Use the help numbers found on the back page of the manual if there are any questions.

NOTICE

The contents and part numbers listed in the parts section are subject to change without notice. Multiquip does not guarantee the availability of the parts listed.

SAMPLE PARTS LIST

NO.	PART NO.	PART NAME	QTY.	REMARKS
1	12345	BOLT	1	INCLUDES ITEMS W/%
2%		WASHER, 1/4 IN.		NOT SOLD SEPARATELY
2%	12347	WASHER, 3/8 IN. ...	1	MQ-45T ONLY
3	12348	HOSE	A/R	MAKE LOCALLY
4	12349	BEARING	1	S/N 2345B AND ABOVE

NO. Column

Unique Symbols — All items with same unique symbol (@, #, +, %, or >) in the number column belong to the same assembly or kit, which is indicated by a note in the “Remarks” column.

Duplicate Item Numbers — Duplicate numbers indicate multiple part numbers, which are in effect for the same general item, such as different size saw blade guards in use or a part that has been updated on newer versions of the same machine.

NOTICE

When ordering a part that has more than one item number listed, check the remarks column for help in determining the proper part to order.

PART NO. Column

Numbers Used — Part numbers can be indicated by a number, a blank entry, or TBD.

TBD (To Be Determined) is generally used to show a part that has not been assigned a formal part number at the time of publication.

A blank entry generally indicates that the item is not sold separately or is not sold by Multiquip. Other entries will be clarified in the “Remarks” Column.

QTY. Column

Numbers Used — Item quantity can be indicated by a number, a blank entry, or A/R.

A/R (As Required) is generally used for hoses or other parts that are sold in bulk and cut to length.

A blank entry generally indicates that the item is not sold separately. Other entries will be clarified in the “Remarks” Column.

REMARKS Column

Some of the most common notes found in the “Remarks” Column are listed below. Other additional notes needed to describe the item can also be shown.

Assembly/Kit — All items on the parts list with the same unique symbol will be included when this item is purchased.

Indicated by:

“INCLUDES ITEMS W/(unique symbol)”

Serial Number Break — Used to list an effective serial number range where a particular part is used.

Indicated by:

“S/N XXXXX AND BELOW”

“S/N XXXX AND ABOVE”

“S/N XXXX TO S/N XXX”

Specific Model Number Use — Indicates that the part is used only with the specific model number or model number variant listed. It can also be used to show a part is NOT used on a specific model or model number variant.

Indicated by:

“XXXXX ONLY”

“NOT USED ON XXXX”

“Make/Obtain Locally” — Indicates that the part can be purchased at any hardware shop or made out of available items. Examples include battery cables, shims, and certain washers and nuts.

“Not Sold Separately” — Indicates that an item cannot be purchased as a separate item and is either part of an assembly/kit that can be purchased, or is not available for sale through Multiquip.

SUGGESTED SPARE PARTS

GA9.7HEA SERIES PORTABLE 60HZ GENERATORS

1 to 3 units

Qty.	P/N	Description
4	.0602201357	REGULATOR
4	.0601828508	RELAY
2	.0601802137	FUSE
2	.0601812529	RECEPTACLE, L14-30R
1	.0601811032	RECEPTACLE, L6-20R
2	.0601811035	RECEPTACLE, L5-30R
1	.0601814013	RECEPTACLE, 5-20R
1 ♦	.0601870451	CIRCUIT BREAKER, 2P, 40A
1 ◇	.0601872302	CIRCUIT BREAKER, 2P, 35A
1 ◇	.0601829301	EARTH LEAKAGE RELAY
1	.0601806425	CIRCUIT BREAKER, 2P, 30A
1	.0601806036	CIRCUIT BREAKER, 2P, 20A
4	.0601806424	CIRCUIT BREAKER, 1P, 30A
1	.0601806423	CIRCUIT BREAKER, 1P, 20A
1 ♣	.0601800699	HOUR METER
1	.0601830771	IDLE CONTROL SWITCH
1	.0601830799	OPERATION SWITCH
1	.0602100102	START SWITCH
2	.A9924800104	CAP, FUEL TANK
2	.0605505120	FUEL FILTER, TANK
1	.0602125032	GAUGE, FUEL
2	.0805083204	SUSPENSION RUBBER
2	.A6415800004	SUSPENSION RUBBER

NOTICE

- ♦ S/N 5681188 AND BELOW
- ◇ S/N 5681189 AND ABOVE
- ♣ S/N 5681197 AND ABOVE

HONDA GX630RVD GASOLINE ENGINE

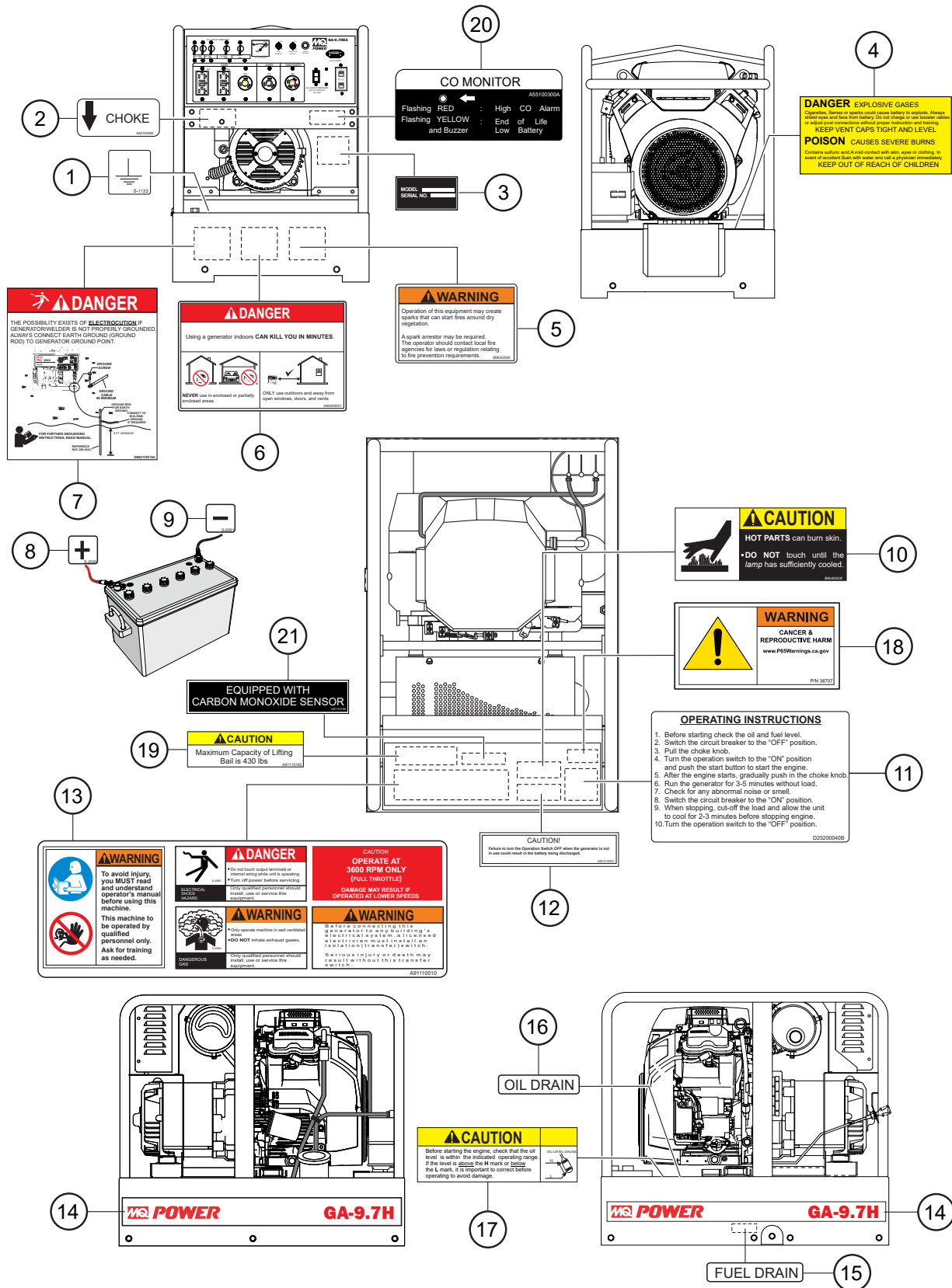
1 to 3 units

3980795587G SPARK PLUG (ZFR5F)
315400PLMA01PE OIL FILTER CARTRIDGE
31728Z6L0001 AIR FILTER OUTER, FOAM
135480Z6L003 SWITCH ASSY., OIL LEVEL
216910Z6L003 IN-LINE FUEL FILTER

NOTICE

Part numbers on this Suggested Spare Parts list may supersede/replace the part numbers shown in the following parts lists.

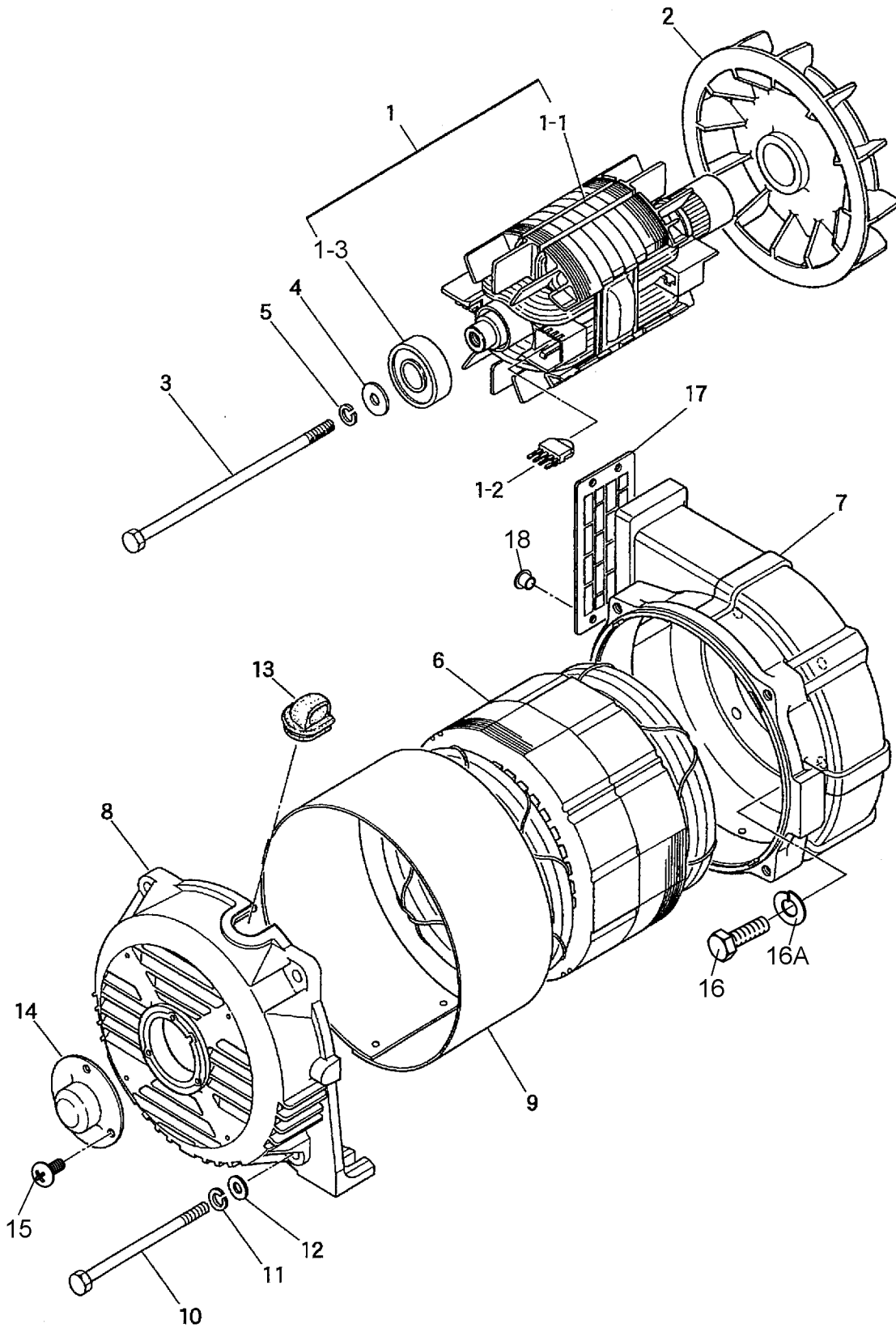
GA9.7HEA — NAMEPLATE AND DECALS ASSY.



GA9.7HEA — NAMEPLATE AND DECALS ASSY.

<u>NO.</u>	<u>PART NO.</u>	<u>PART NAME</u>	<u>QTY.</u>	<u>REMARKS</u>
1	W0800628504	DECAL: GROUND	1.....	S-1123
2	A6551000604	DECAL: CHOKE LEVER	1.....	A65100060
3		DECAL: NAMEPLATE	1.....	CONTACT MQ PARTS DEPT.
4	W0820650604	DECAL: CAUTION BATTERY	1	
5	M9504200004	DECAL: WARNING, START FIRES.....	1.....	M90420000
6	A9504000014	DECAL: DANGER, CARBON MONOXIDE.....	1.....	A90400001
7	D9531100104	DECAL: DANGER, ELECTROCUTION.....	1.....	D93110010
8	W0800689404	DECAL: +	1.....	S-2090
9	W0800689504	DECAL: -	1.....	S-2091
10	B9504000304	DECAL: CAUTION, HOT PARTS.....	1.....	B90400030
11	D2552000404	DECAL: OPERATING INSTRUCTIONS	1.....	D25200040B
12	A6551000504	DECAL: OPERATION SWITCH.....	1.....	A65100050
13	A9511100103	DECAL: WARNING.....	1.....	A91110010
			1	S/N 5749946 AND BELOW
13	A9511100113	DECAL: WARNING.....	1.....	A91110011
				S/N 5749947 AND ABOVE
14	A6561000903	DECAL: MQ POWER, GA-9.7H	2	
15	W7810680104	DECAL: FUEL DRAIN.....	1.....	S-3060
16	W1630645004	DECAL: OIL DRAIN	1.....	S-1403
17	W8700611524	DECAL: CAUTION, OIL LEVEL GAUGE	1.....	S-4926B
18	A9511101304	DECAL: WARNING PROPOSITION 65.....	1.....	A91110130
				S/N 5822490 AND ABOVE
19	A9511101604	DECAL: CAUTION.....	1.....	A91110160
				S/N 5845251 AND ABOVE
20	A5551003004	DECAL: CO SENSOR	1.....	A55100300A
				S/N 50001031 AND ABOVE
21	A9511101904	DECAL: EQUIPPED WITH CO SENSOR.....	1.....	A91110190
				S/N 50001031 AND ABOVE

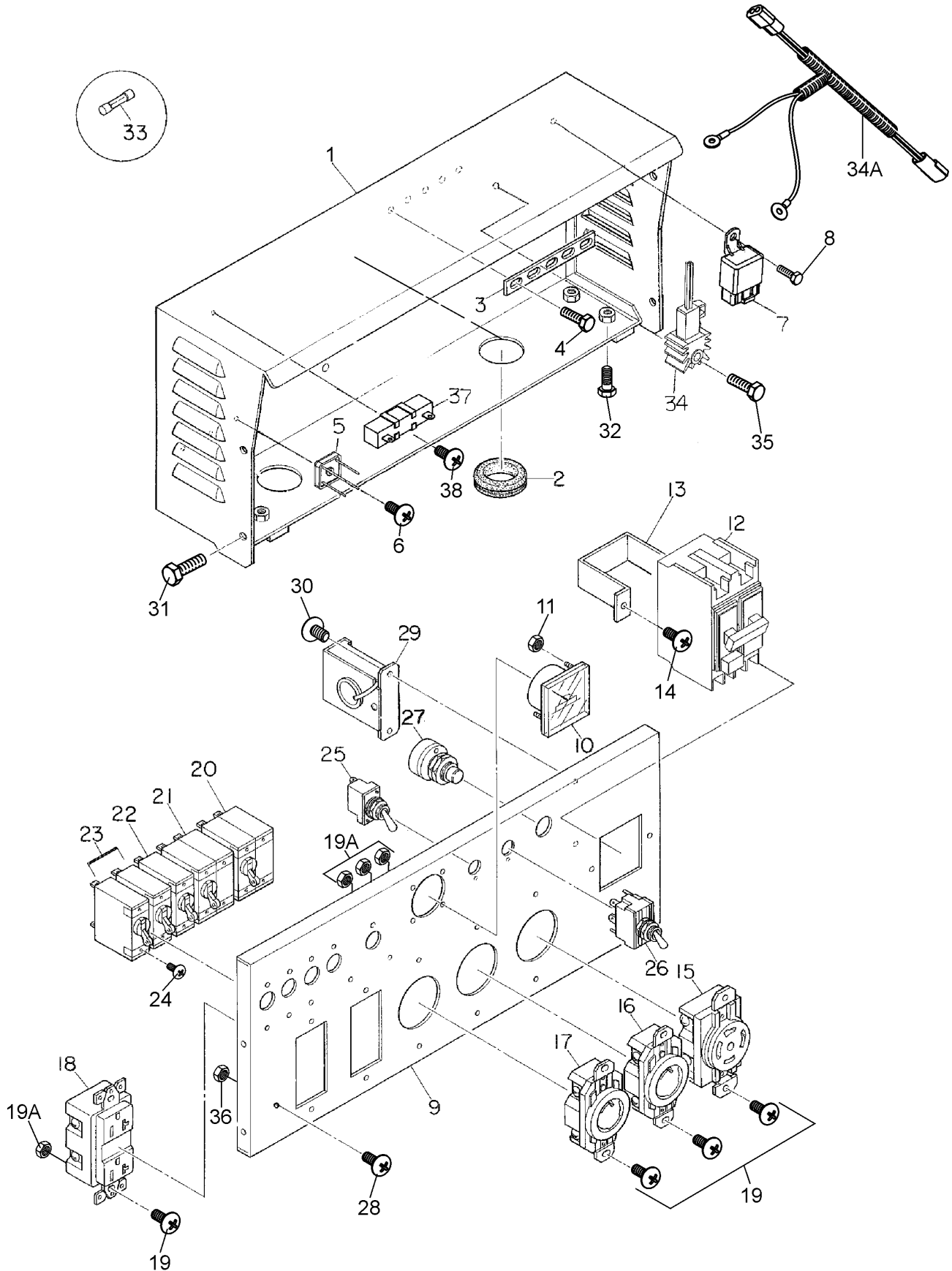
GA9.7HEA — GENERATOR ASSY.



GA9.7HEA — GENERATOR ASSY.

<u>NO.</u>	<u>PART NO.</u>	<u>PART NAME</u>	<u>QTY.</u>	<u>REMARKS</u>
1	A6110200103	ROTOR ASSY.....	1.....	INCLUDES ITEMS W/#
1-1#		FIELD ASSY.....	1.....	NOT SOLD SEPARATELY
1-2#	7871025004	RECTIFIER	2	
1-3#	0071206304	BEARING	1	
2	A6113100004	FAN.....	1.....	S/N 5884919 AND BELOW
2	A6112100103	FAN.....	1.....	S/N 5884920 AND ABOVE
3	A6113400004	SET BOLT, ROTOR	1	
4	0801086104	SET WASHER BEARING	1	
5	0040010000	WASHER, LOCK	1	
6	A6136000103	ARMATURE ASSY.....	1.....	S/N 5681188 AND BELOW
6	A6135000503	ARMATURE ASSY.....	1.....	S/N 5681189 AND ABOVE
7	A6155100102	END BRACKET	1	
8	A6155000002	END BRACKET	1	
9	A6133300003	COVER, STATOR	1	
10	A6133500004	SET BOLT, STATOR	4	
11	0040008000	WASHER, LOCK	4	
12	0401450080	WASHER, FLAT.....	4.....	REPLACES P/N 0041208000
13	7871329514	GROMMET	1	
14	A6155400104	COVER, BEARING	1	
15	0027105012	MACHINE SCREW	3	
16	Y0343903025	HEX, HEAD BOLT	4	
16A	0040008000	WASHER, LOCK	4	
17	A6155400204	COVER	1	
18	R060500801A	RIVET	4	

GA9.7HEA — CONTROL BOX ASSY. (S/N 5681188 AND BELOW)



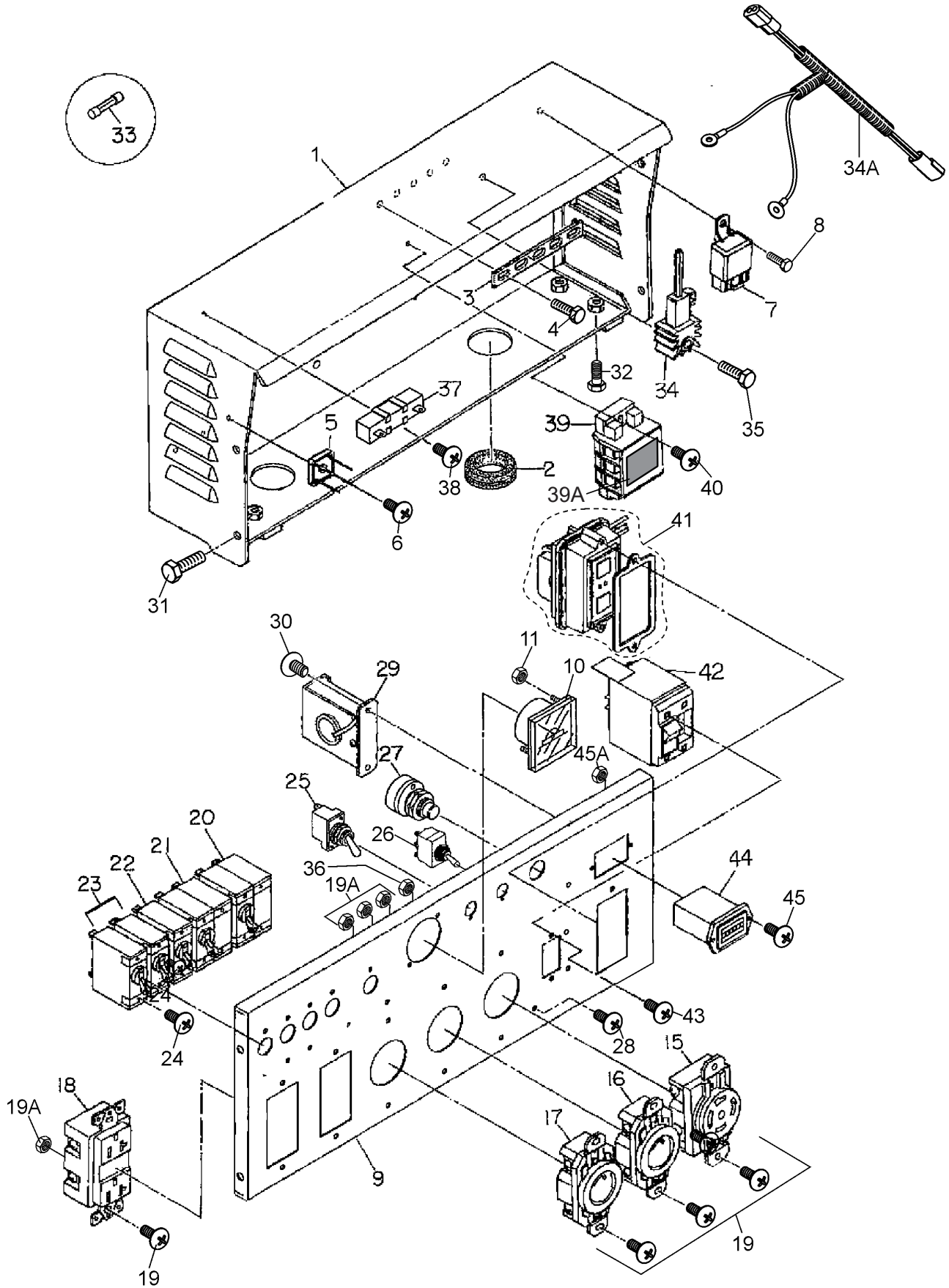
GA9.7HEA — CONTROL BOX ASSY. (S/N 5681188 AND BELOW)

<u>NO.</u>	<u>PART NO.</u>	<u>PART NAME</u>	<u>QTY.</u>	<u>REMARKS</u>
1	A6214000603	CONTROL BOX	1	
2	0601850102	GROMMET	2	
3	8511864601A	TERMINAL PLATE.....	1	REPLACES P/N W8511864604
4	0016906020	HEX, HEAD BOLT	5	
5	0601823204	RECTIFIER	3	
6	0027103020	MACHINE SCREW	3	
7	0601828508	RELAY, DC12V	1	S/N 5808836 AND BELOW
8	0017106015	HEX HEAD BOLT	1	
9	A6511100402	CONTROL PANEL.....	1	S/N 5681188 AND BELOW
10	0601806819	AC VOLTMETER, 120/240V.....	1	REPLACES P/N 0601800258
11	0207003000	HEX. NUT	2	
12	0601870451	CIRCUIT BREAKER 2P 40A	1	
13	A9121000304	BRACKET, CIRCUIT BREAKER	1	
14	0027404010	MACHINE SCREW	2	
15	0601812529	RECEPTACLE, L14-30R 125/250V, 30A	1	
16	0601811032	RECEPTACLE, L6-20R 250V, 20A	1	
17	0601811031	RECEPTACLE, L5-30R125V, 30A.....	1	REPLACES P/N 0601811035
18	0601814024	RECEPTACLE, 5-20R GF20LA 120V, 20A.....	2	REPLACES P/N 0601814013
19	0021004010	MACHINE SCREW	10	
19A	OEMAA8	HEX. NUT	10	REPLACES P/N 0207004000
20	0601806425	CIRCUIT BREAKER 2P, 250V @ 30A.....	1	S/N 50011990 AND BELOW
20	0601873324	CIRCUIT BREAKER 2P, 250V @ 30A.....	1	S/N 50011991 AND ABOVE
21	0601806036	CIRCUIT BREAKER 2P, 250V @ 20A.....	1	S/N 50011990 AND BELOW
21	0601873322	CIRCUIT BREAKER 2P, 250V @ 20A.....	1	S/N 50011991 AND ABOVE
22	0601806424	CIRCUIT BREAKER 1P, 250V @ 30A.....	1	S/N 50011990 AND BELOW
22	0601873323	CIRCUIT BREAKER 1P, 250V @ 30A.....	1	S/N 50011991 AND ABOVE
23	0601806423	CIRCUIT BREAKER 1P, 250V @ 20A.....	2	S/N 50011990 AND BELOW
23	0601873321	CIRCUIT BREAKER 1P, 250V @ 20A.....	2	S/N 50011991 AND ABOVE
24	0027103005	MACHINE SCREW	10	
25	0601830771	IDLE CONTROL SWITCH	1	S/N 50013246 AND BELOW
25	0601830727	IDLE CONTROL SWITCH	1	S/N 50013247 AND ABOVE
26	0601830799	OPERATION SWITCH	1	
27	0602100102	START SWITCH	1	
28	0021004015	MACHINE SCREW	1	
29	0601823853	IDLE CONTROL DEVICE	1	
30	0021004010	MACHINE SCREW	2	
31	Y0016905012	HEX. HEAD BOLT	4	
32	0016906020	HEX. HEAD BOLT	4	
33	0601802137	FUSE, 10A @ 250V	2	
34	0602201357	REGULATOR, 14.5V	1	
34A	0602202480	HARNESS, REGULATOR RECTIFIER	1	
35	0017106035	HEX. HEAD BOLT	1	
36	OEMAA8	HEX NUT	2	REPLACES P/N 0207004000
37	0601842506	RESISTOR 20W, 50Ω	1	
38	0027103010	MACHINE SCREW	1	

GA9.7HEA — CONTROL BOX ASSY. (S/N 5681189 AND ABOVE)

<u>NO.</u>	<u>PART NO.</u>	<u>PART NAME</u>	<u>QTY.</u>	<u>REMARKS</u>
1	A6214000613	CONTROL BOX	1	
2	0601850102	GROMMET	2	
3	8511864601A	TERMINAL PLATE.....	1	REPLACES P/N W8511864604
4	0016906020	HEX, HEAD BOLT	5	
5	0601823204	RECTIFIER	3	
6	0027103020	MACHINE SCREW	3	
7	0601828508	RELAY, DC12V	1	S/N 5681189 ~ 5808836
7	0601823754	RELAY, DC12V	1	S/N 5808837 AND ABOVE
8	0017106015	HEX HEAD BOLT	1	
9	A6511100602	CONTROL PANEL.....	1	S/N 5681189 ~ 5741196
9	A6511100612	CONTROL PANEL.....	1	S/N 5741197 AND ABOVE
10	0601806819	AC VOLTMETER, 120/240V.....	1	REPLACES P/N 0601800258
11	0207003000	HEX. NUT	2	
15	0601812529	RECEPTACLE, L14-30R 125/250V, 30A	1	
16	0601811032	RECEPTACLE, L6-20R 250V, 20A	1	
17	0601811031	RECEPTACLE, L5-30R125V, 30A.....	1	REPLACES P/N 0601811035
18	0601814065	RECEPTACLE, 5-20R DR20,120V, 20A	2	
19	0021004010	MACHINE SCREW	10	
19A	OEMAA8	HEX. NUT	10	REPLACES P/N 0207004000
20	0601806425	CIRCUIT BREAKER 2P, 250V @ 30A.....	1	S/N 50011990 AND BELOW
20	0601873324	CIRCUIT BREAKER 2P, 250V @ 30A.....	1	S/N 50011991 AND ABOVE
21	0601806036	CIRCUIT BREAKER 2P, 250V @ 20A.....	1	S/N 50011990 AND BELOW
21	0601873322	CIRCUIT BREAKER 2P, 250V @ 20A.....	1	S/N 50011991 AND ABOVE
22	0601806424	CIRCUIT BREAKER 1P, 250V @ 30A.....	1	S/N 50011990 AND BELOW
22	0601873323	CIRCUIT BREAKER 1P, 250V @ 30A.....	1	S/N 50011991 AND ABOVE
23	0601806423	CIRCUIT BREAKER 1P, 250V @ 20A.....	2	S/N 50011990 AND BELOW
23	0601873321	CIRCUIT BREAKER 1P, 250V @ 20A.....	2	S/N 50011991 AND ABOVE
24	0027103005	MACHINE SCREW	10	
25	0601830771	IDLE CONTROL SWITCH	1	S/N 50013246 AND BELOW
25	0601830727	IDLE CONTROL SWITCH	1	S/N 50013247 AND ABOVE
26	0601830799	OPERATION SWITCH	1	
27	0602100102	START SWITCH	1	
28	0021004015	MACHINE SCREW	1	
29	0601823853	IDLE CONTROL DEVICE	1	
30	0021004010	MACHINE SCREW	2	
31	Y0016905012	HEX. HEAD BOLT	4	
32	0016906020	HEX. HEAD BOLT	4	
33	0601802137	FUSE, 10A @ 250V	2	
34	0602201357	REGULATOR, 14.5V	1	
34A	0602202480	HARNESS, REGULATOR RECTIFIER	1	
35	0017106035	HEX. HEAD BOLT	1	
36	OEMAA8	HEX NUT	2	REPLACES P/N 0207004000
37	0601842506	RESISTOR 20W, 50Ω	1	
38	0027103010	MACHINE SCREW	1	
39	0601815758	TERMINAL BOARD	1	S/N 5681189 AND ABOVE
39A	D9522000804	DECAL, SYMBOL MARK.....	1	S/N 5681189 AND ABOVE
40	0027104020	MACHINE SCREW.....	2	S/N 5681189 AND ABOVE

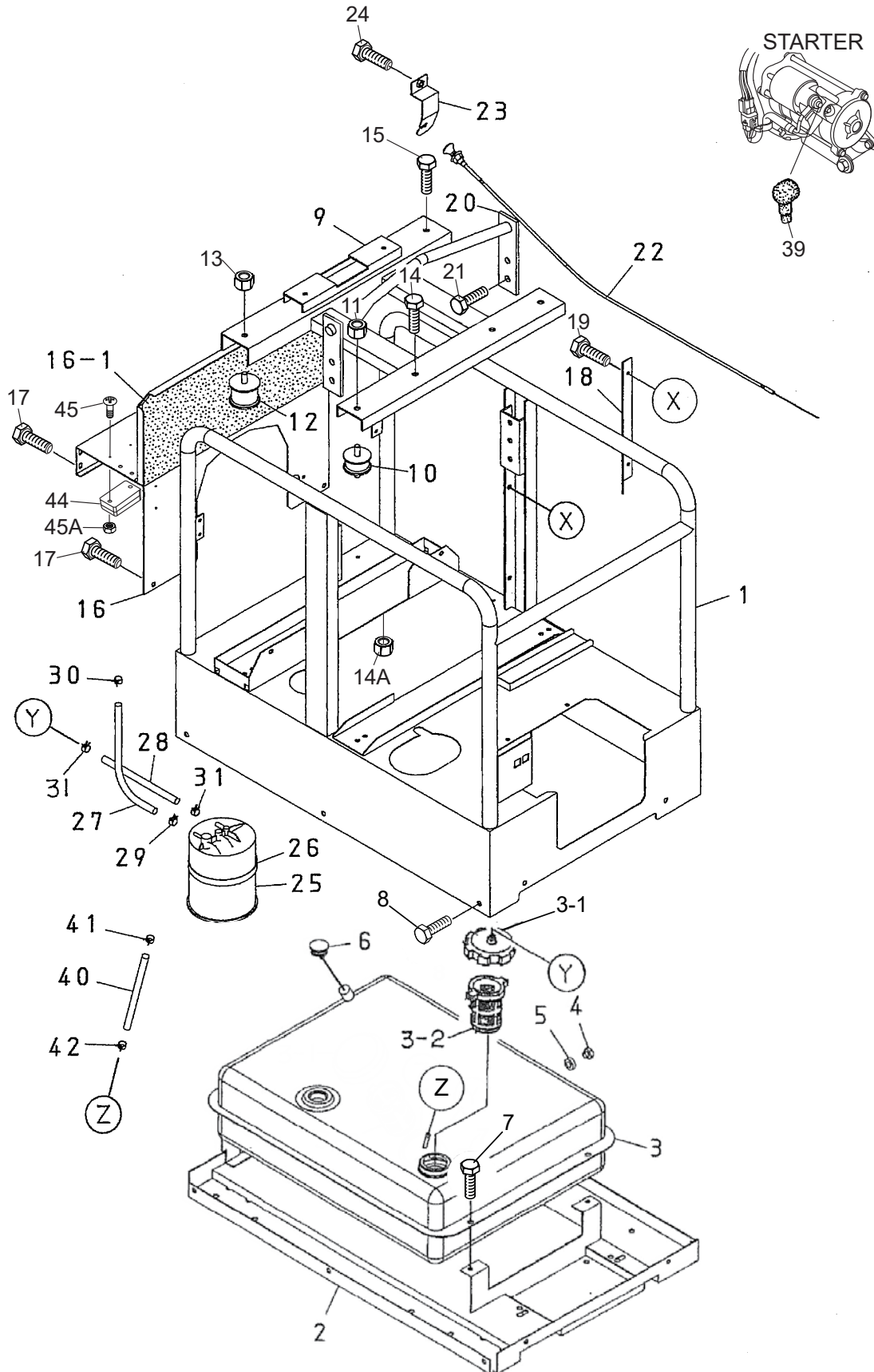
GA9.7HEA — CONTROL BOX ASSY. (S/N 5681189 AND ABOVE) CONT'D.



GA9.7HEA — CONTROL BOX ASSY. (S/N 5681189 AND ABOVE) CONT'D.

<u>NO.</u>	<u>PART NO.</u>	<u>PART NAME</u>	<u>QTY.</u>	<u>REMARKS</u>
41	0601829301	EARTH LEAKAGE RELAY, GFSM120A	1.....	S/N 5681189 ~ 5911435
41	0601829302	EARTH LEAKAGE RELAY, PGFM-111-BA1	1.....	S/N 5911436 ~ 50017679
41	0601829301	EARTH LEAKAGE RELAY, GFSM120A	1.....	S/N 50017680 AND ABOVE
42	0601872302	CIRCUIT BREAKER, 125V, 35A 2P.....	1.....	S/N 5681189 AND ABOVE
43	0021003005	MACHINE SCREW	4.....	S/N 5681187 AND ABOVE
44	0601800699	HOUR METER.....	1.....	S/N 5741197 AND ABOVE
45	0021003012	MACHINE SCREW	2.....	S/N 5741197 AND ABOVE
45A	0207003000	HEX NUT	2.....	S/N 5741197 AND ABOVE

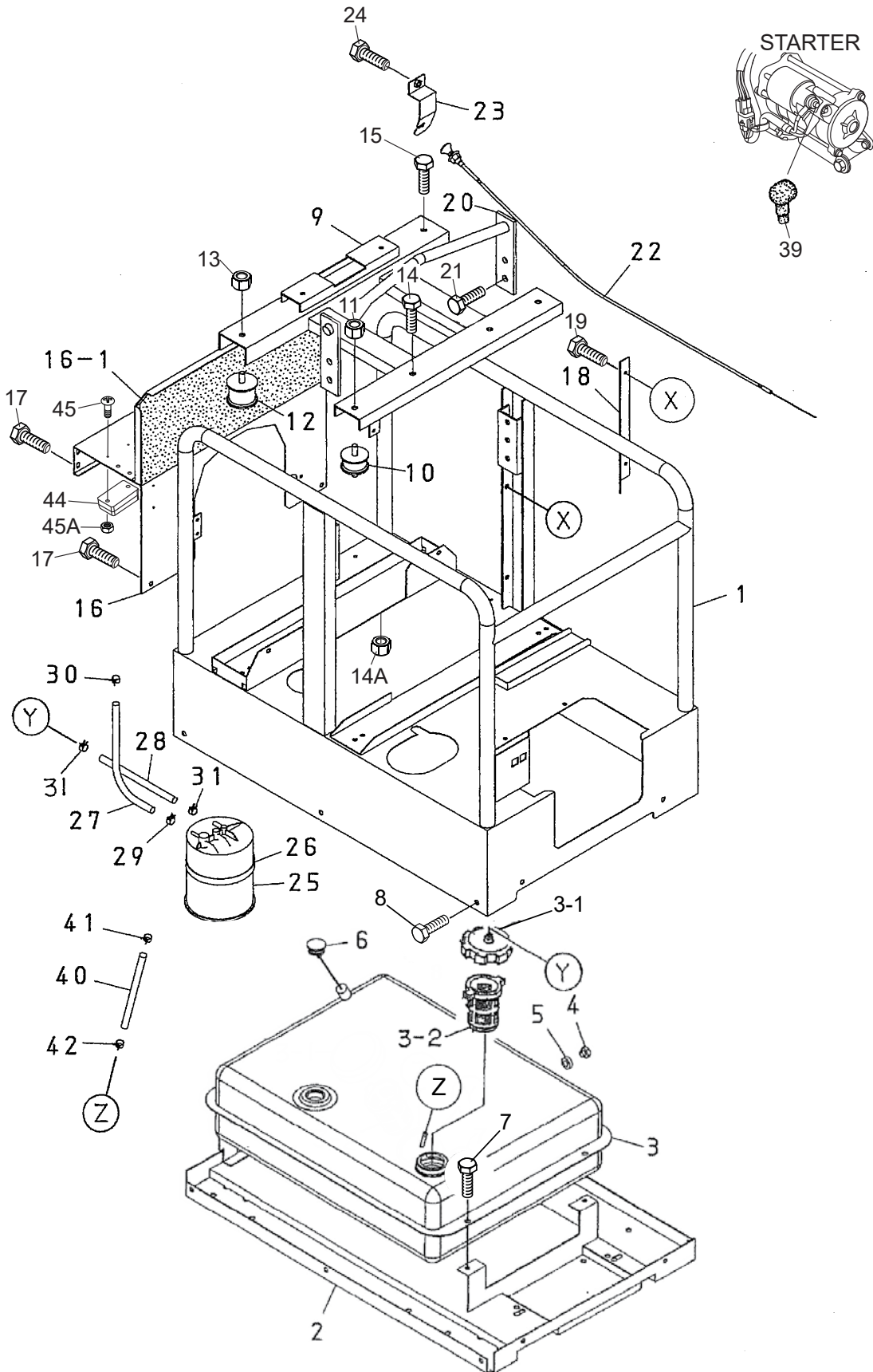
GA9.7HEA — PIPE FRAME ASSY.



GA9.7HEA — PIPE FRAME ASSY.

<u>NO.</u>	<u>PART NO.</u>	<u>PART NAME</u>	<u>QTY.</u>	<u>REMARKS</u>
1	A6417000102	PIPE FRAME	1	
2	A6414100103	FLOOR PANEL	1	
3	A6361000204	FUEL TANK.....	1.....	INCLUDES ITEMS W/ #
				S/N 5863763 AND BELOW
3	A6361000214	FUEL TANK.....	1.....	INCLUDES ITEMS W/ %
				S/N 5863764 AND ABOVE
3-1#	A9924800104	CAP, FUEL TANK.....	1.....	S/N 5863763 AND BELOW
3-1%	A2361000304	CAP, FUEL TANK.....	1.....	S/N 5863764 AND ABOVE
3-2#	0605505120	FUEL FILTER.....	1.....	S/N 5863763 AND BELOW
3-2%	0605505162	FUEL FILTER.....	1.....	S/N 5863764 AND ABOVE
4	3015530004	DRAIN PLUG	1	
5	0150200011	O-RING	1	
6	0602125032	FUEL GAUGE	1	
7	0016908020	HEX. HEAD BOLT	4	
8	0016908020	HEX. HEAD BOLT	11	
9	A6418700123	BASE	1	
10	0805083204	RUBBER SUSPENSION	2	
11	0207010000	HEX. NUT	2	
12	6415800004	RUBBER SUSPENSION	2	
13	0207010000	HEX. NUT	2	
14	Y0012910045	HEX. HEAD BOLT	3	
14A	0207010000	HEX. NUT	3	
15	0012308030	HEX. HEAD BOLT	2	
16	A6424400003	BRACKET	1.....	S/N 50001030 AND BELOW
16	A6424400203	BRACKET	1.....	S/N 50001031 AND ABOVE
16-1	A6498200004A	LINING	1.....	REPLACES P/N A6498200004
17	0016906015	HEX, HEAD BOLT	8	
18	A6418400304	AIR GUIDE	1	
19	0016906015	HEX. HEAD BOLT	2	
20	A6435300003D	HANGER.....	1.....	REPLACES P/N A6435300003
				S/N 5845250 AND BELOW
20	A6435300013	HANGER.....	1.....	S/N 5845251 AND ABOVE
21	0017110025	HEX. HEAD BOLT	4	
22	A6355400103	CHOKE CABLE	1	
23	A6355200104	BRACKET	1	
24	0016906015	HEX. HEAD BOLT	1	
25	Y0605507003	CANISTER.....	1.....	S/N 5753978 AND BELOW
25	Y0605507006	CANISTER.....	1.....	S/N 5753979 ~ 5853763
25	Y0605507011	CANISTER.....	1.....	S/N 5853764 AND ABOVE
26	0605515211	HOSE BAND	1	
27	0605513209	HOSE	1	
28	0605513206	HOSE	1	
29	0605515170	HOSE BAND	1	
30	0605515229	HOSE BAND	1	
31	0605515223	HOSE BAND	2	
39	0602220643	TERMINAL CAP	1	
40	950014500860M	HOSE.....	1.....	REPLACES P/N 0605513143

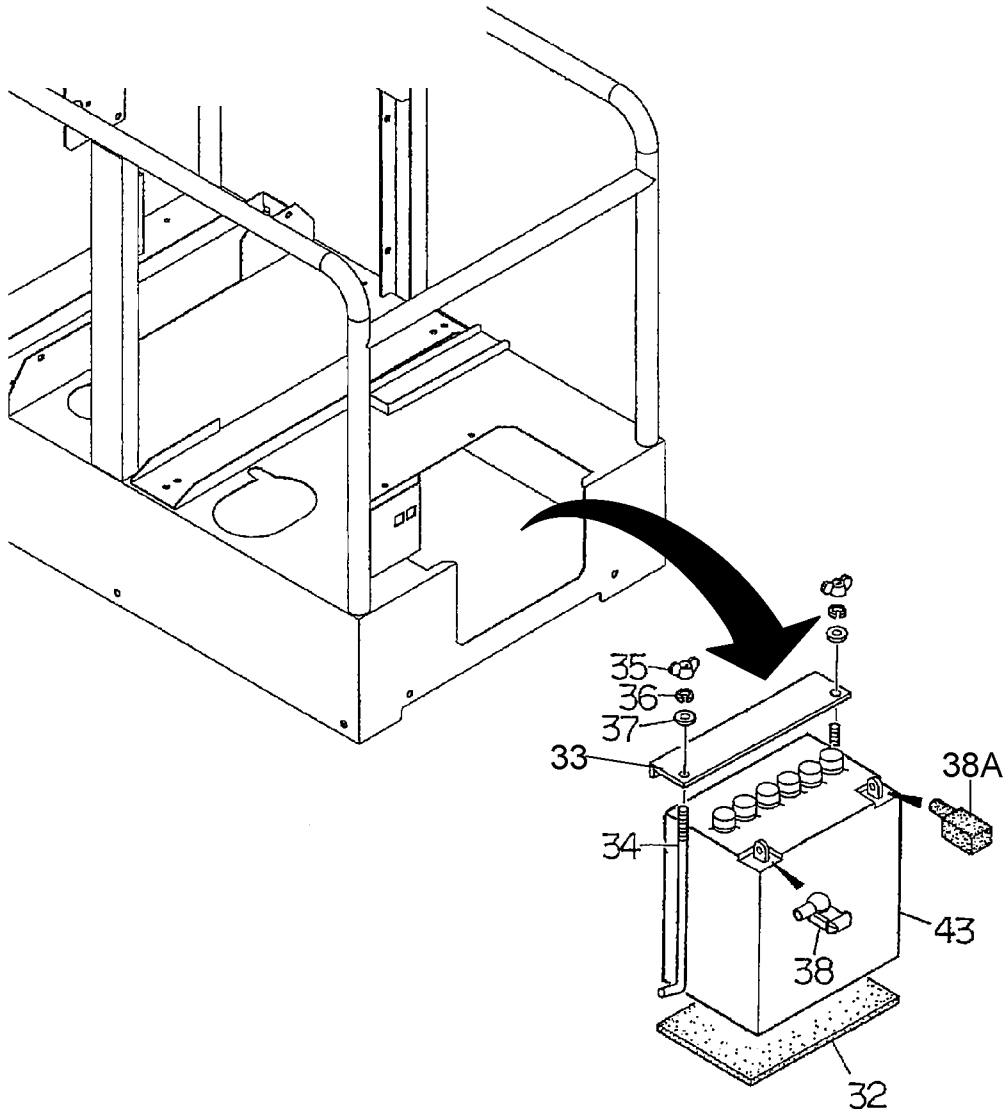
GA9.7HEA — PIPE FRAME ASSY. (CONT'D.)



GA9.7HEA — PIPE FRAME ASSY. (CONT'D.)

<u>NO.</u>	<u>PART NO.</u>	<u>PART NAME</u>	<u>QTY.</u>	<u>REMARKS</u>
41	950024105008	HOSE BAND.....	1.....	REPLACES P/N 0605515240
42	0605515093	HOSE BAND	1	
44	0602211802	CO SENSOR	1.....	S/N 50001031 AND ABOVE
45	0027103035	MACHINE SCREW.....	2.....	S/N 50001031 AND ABOVE
45A	0038403000	HEX. NUT	2.....	S/N 50001031 AND ABOVE

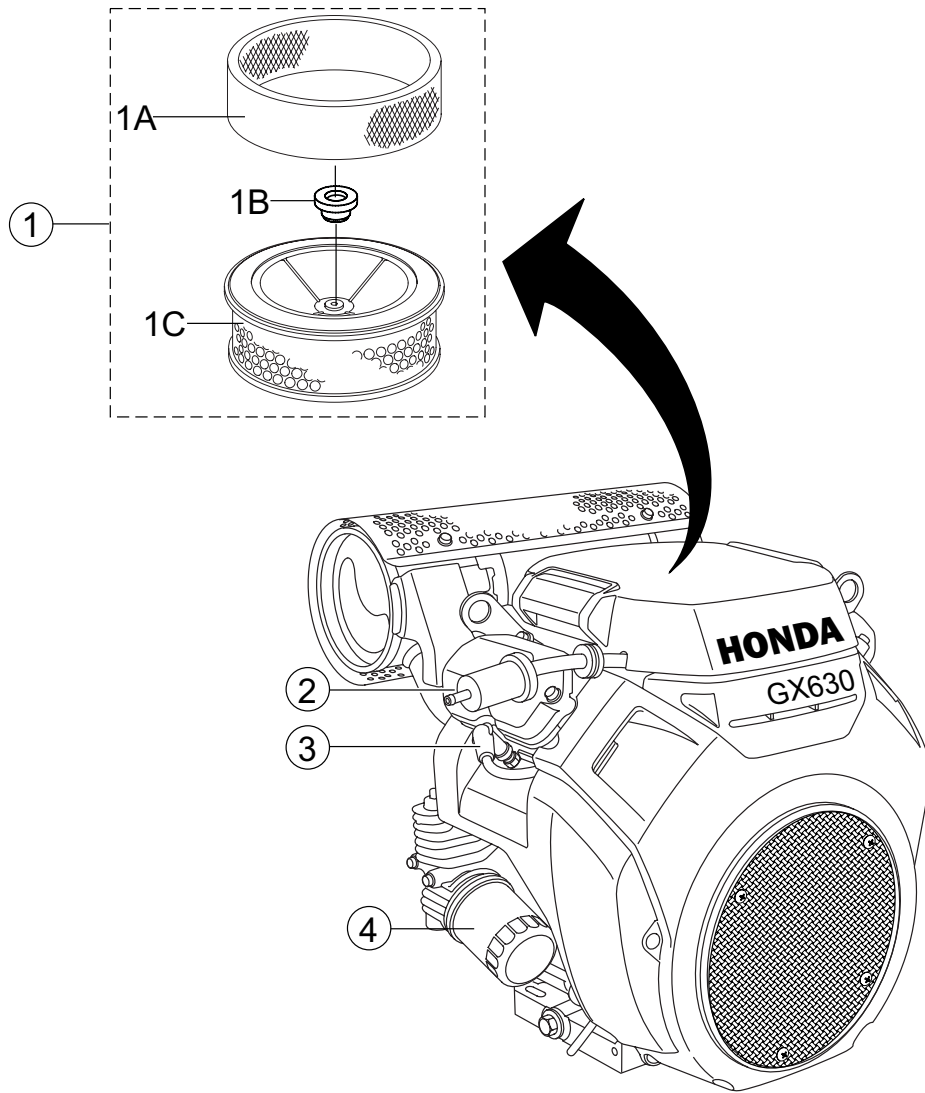
GA9.7HEA — BATTERY ASSY.



GA9.7HEA — BATTERY ASSY.

<u>NO.</u>	<u>PART NO.</u>	<u>PART NAME</u>	<u>QTY.</u>	<u>REMARKS</u>
32	A6345200204	BATTERY SHEET	1	
33	D1343200204	BATTERY BAND	1	
34	0805082704	BATTERY BOLT	2	
35	0037806000	WING NUT	2	
36	0040006000	WASHER, LOCK	2	
37	952404470	WASHER, FLAT	2.....	REPLACES P/N 0041206000
38	0802276803	TERMINAL CAP (RED)	1	
38A	0845041304	TERMINAL CAP (BLK)	1.....	REPLACES P/N 0602220601
43	Y0165103819	BATTERY, 12 VOLT	1.....	NEUTON 38B19R

GA9.7HEA — ENGINE SERVICE PARTS



GA9.7HEA — ENGINE SERVICE PARTS

<u>NO.</u>	<u>PART NO.</u>	<u>PART NAME</u>	<u>QTY.</u>	<u>REMARKS</u>
1	17210Z6L010	AIR FILTER.....	1.....	INCLUDES ITEMS W/ \$
1A\$	17218Z6L0001	AIR FILTER OUTER, FOAM.....	1.....	REPLACES P/N 17218Z6L000
1B\$	17232Z2E000	GROMMET	1	
1C\$		AIR FILTER INNER.....	1.....	NOT SOLD SEPARATELY
2	16910Z6L003	IN-LINE FUEL FILTER	1	
3	980795587GA	SPARK PLUG (ZFR5F).....	1.....	REPLACES P/N 980795587G
4	15400PLMA01PE	OIL FILTER CARTRIDGE	1.....	REPLACES P/N 15400RTA004

PARTS MANUAL

HERE'S HOW TO GET HELP

PLEASE HAVE THE MODEL AND SERIAL
NUMBER ON HAND WHEN CALLING

UNITED STATES

Multiquip Inc.

(310) 537- 3700
6141 Katella Avenue Suite 200
Cypress, CA 90630
E-MAIL: mq@multiquip.com
WEBSITE: www.multiquip.com

CANADA

Multiquip

(450) 625-2244
4110 Industriel Boul.
Laval, Quebec, Canada H7L 6V3
E-MAIL: infocanada@multiquip.com

UNITED KINGDOM

Multiquip (UK) Limited Head Office

0161 339 2223
Unit 2, Northpoint Industrial Estate, Globe Lane,
Dukinfield, Cheshire SK16 4UJ
E-MAIL: sales@multiquip.co.uk

© COPYRIGHT 2026, MULTIQUIP INC.

Multiquip Inc., the MQ logo and the MQ Power logo are registered trademarks of Multiquip Inc. and may not be used, reproduced, or altered without written permission. All other trademarks are the property of their respective owners and used with permission.

This manual MUST accompany the equipment at all times. This manual is considered a permanent part of the equipment and should remain with the unit if resold.

DISCLAIMER: Product features, descriptions, and specifications are based on published information at the time of publication and are subject to change at any time without notice. Multiquip Inc. and its affiliates reserve the right to change specifications, features, design, and descriptions of products at any time without notice.

Manufactured for
MQ Power Inc.
by
DENYO MANUFACTURING CORP.

