

# PARTS MANUAL



## **MODEL GAC2.5HR PORTABLE GENERATOR (HONDA GX160RT2EMAN GASOLINE ENGINE)**

**PARTS LIST NO. A2874201704C**

Revision #1 (04/20/22)

To find the latest revision of this publication or associated operation manual, visit our website at: [www.multiquip.com](http://www.multiquip.com)



**THIS MANUAL MUST ACCOMPANY THE EQUIPMENT AT ALL TIMES.**

**GAC2.5HR**  
**60 Hz Portable Generator**

Explanation Of Code In Remarks Column..... 4  
Suggested Spare Parts ..... 5

**Component Drawings**

Nameplate And Decals Assembly ..... 6-7  
Generator Assembly ..... 8-9  
Control Box Assembly ..... 10-11  
Pipe Frame Assembly..... 12-13  
UWKB Wheel Kit Assembly (Option)..... 14-15  
Engine Service Parts ..... 16-17

**NOTICE**

Specifications and part numbers are subject to change without notice.



# EXPLANATION OF CODE IN REMARKS COLUMN

The following section explains the different symbols and remarks used in the Parts section of this manual. Use the help numbers found on the back page of the manual if there are any questions.

## NOTICE

The contents and part numbers listed in the parts section are subject to change **without notice**. Multiquip does not guarantee the availability of the parts listed.

## SAMPLE PARTS LIST

NO.	PART NO.	PART NAME	QTY.	REMARKS
1	12345	BOLT .....	1	INCLUDES ITEMS W/%
2%		WASHER, 1/4 IN. ....		NOT SOLD SEPARATELY
2%	12347	WASHER, 3/8 IN. ...	1	MQ-45T ONLY
3	12348	HOSE .....	A/R	MAKE LOCALLY
4	12349	BEARING .....	1	S/N 2345B AND ABOVE

## NO. Column

**Unique Symbols** — All items with same unique symbol (@, #, +, %, or >) in the number column belong to the same assembly or kit, which is indicated by a note in the “Remarks” column.

**Duplicate Item Numbers** — Duplicate numbers indicate multiple part numbers, which are in effect for the same general item, such as different size saw blade guards in use or a part that has been updated on newer versions of the same machine.

## NOTICE

When ordering a part that has more than one item number listed, check the remarks column for help in determining the proper part to order.

## PART NO. Column

**Numbers Used** — Part numbers can be indicated by a number, a blank entry, or TBD.

TBD (To Be Determined) is generally used to show a part that has not been assigned a formal part number at the time of publication.

A blank entry generally indicates that the item is not sold separately or is not sold by Multiquip. Other entries will be clarified in the “Remarks” Column.

## QTY. Column

**Numbers Used** — Item quantity can be indicated by a number, a blank entry, or A/R.

A/R (As Required) is generally used for hoses or other parts that are sold in bulk and cut to length.

A blank entry generally indicates that the item is not sold separately. Other entries will be clarified in the “Remarks” Column.

## REMARKS Column

Some of the most common notes found in the “Remarks” Column are listed below. Other additional notes needed to describe the item can also be shown.

**Assembly/Kit** — All items on the parts list with the same unique symbol will be included when this item is purchased.

Indicated by:

“INCLUDES ITEMS W/(unique symbol)”

**Serial Number Break** — Used to list an effective serial number range where a particular part is used.

Indicated by:

“S/N XXXXX AND BELOW”

“S/N XXXX AND ABOVE”

“S/N XXXX TO S/N XXX”

**Specific Model Number Use** — Indicates that the part is used only with the specific model number or model number variant listed. It can also be used to show a part is NOT used on a specific model or model number variant.

Indicated by:

“XXXXX ONLY”

“NOT USED ON XXXX”

**“Make/Obtain Locally”** — Indicates that the part can be purchased at any hardware shop or made out of available items. Examples include battery cables, shims, and certain washers and nuts.

**“Not Sold Separately”** — Indicates that an item cannot be purchased as a separate item and is either part of an assembly/kit that can be purchased, or is not available for sale through Multiquip.

## SUGGESTED SPARE PARTS

---

### GAC2.5HR PORTABLE 60 HZ GENERATOR WITH HONDA GX160RT2EMAN GASOLINE ENGINE

1 to 3 units

Qty.	P/N	Description
1.....	0430430120.....	CAP, FUEL TANK
1.....	0641360030.....	FUEL FILTER
1.....	16081471831.....	CUP, FUEL STRAINER
2.....	7935419204.....	RUBBER SUSPENSION
2.....	7935419304.....	RUBBER SUSPENSION
3.....	9807956846.....	SPARK PLUG
1.....	34150ZH7013.....	OIL ALERT UNIT
1.....	35480Z0T003.....	SWITCH ASSY., OIL LEVEL
2.....	28462ZH8003.....	ROPE, RECOIL
2.....	28461Z4M003.....	KNOB, RECOIL STARTER
3.....	17211ZB2000.....	ELEMENT, AIR CLEANER
3.....	16952GG2731.....	SCREEN SET

#### NOTICE

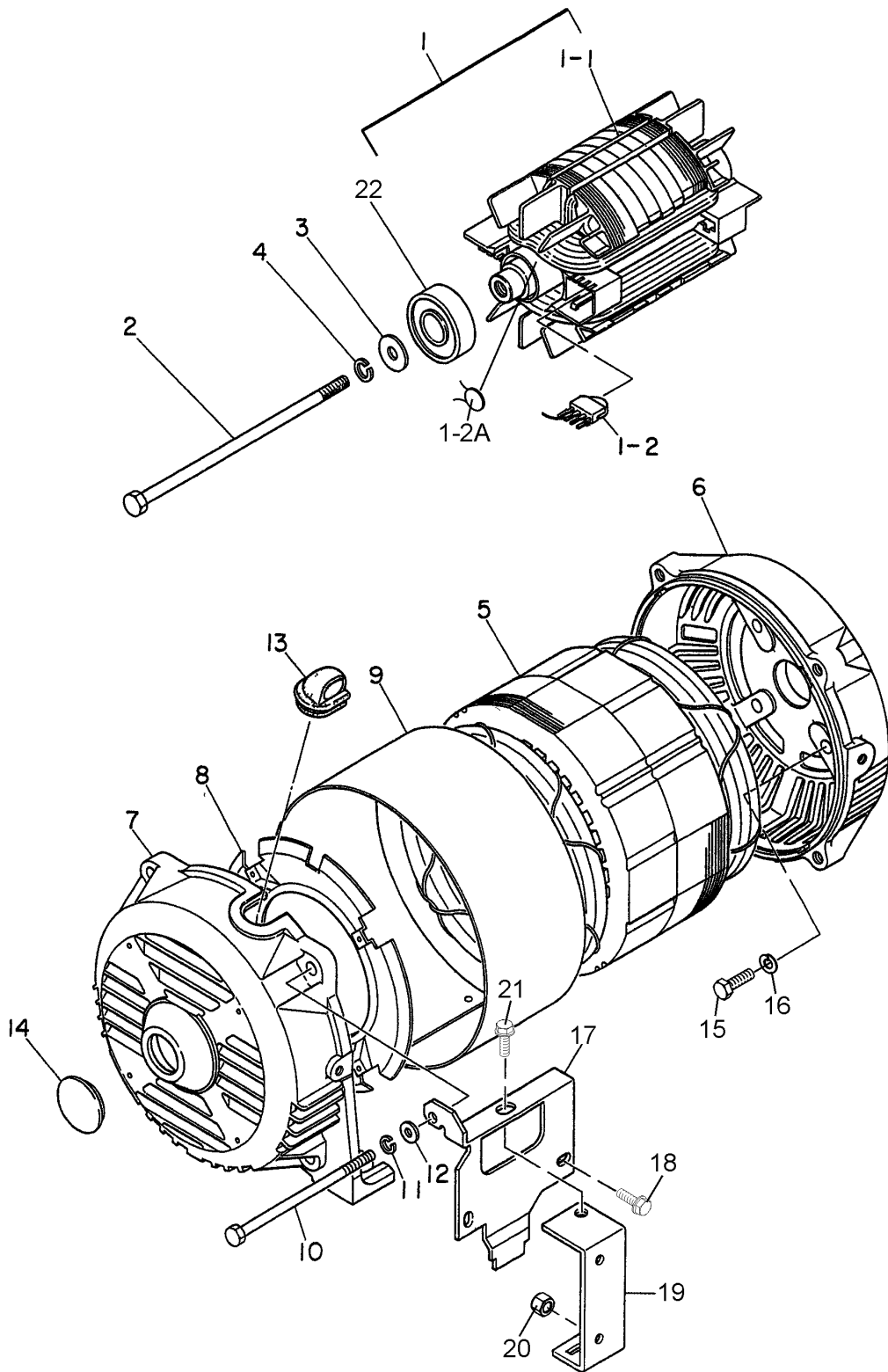
Part numbers on this Suggested Spare Parts list may supersede/replace the part numbers shown in the following parts lists.



## NAMEPLATE AND DECALS ASSY.

<u>NO.</u>	<u>PART NO.</u>	<u>PART NAME</u>	<u>QTY.</u>	<u>REMARKS</u>
1	A2511203302	DECAL: CONTROL PANEL .....	1.....	A21120330
2	A3532100304	DECAL: INSULATION TEMP. SPECIFICATION 1.....	1.....	A33210030A
3	A3552000004	DECAL: CAUTION, SNOW RAIN .....	1.....	A35200000A
4		DECAL: NAMEPLATE.....	1.....	CONTACT MQ PARTS DEPT.
5	A2561001203	DECAL: MQ POWER, 2.5kW	1	
6	87528ZB2630	DECAL: CHOKE .....	1.....	REPLACES P/N 0600500046
7	A9508200004	DECAL: FUEL COCK .....	1.....	A90820000
8	87533ZC0630	DECAL: AIR CLEANER .....	1.....	REPLACES P/N 0600500045
9	A6552000404	DECAL: CAUTION, HOT PARTS .....	1.....	A65200040A
10	A6532100904	DECAL: WARNING, EXHAUST GASES .....	1.....	A63210090A
11	A9511100204	DECAL: DANGER, ELECTROCUTION GND. ...	1.....	A91110020
12	A6532101004	DECAL: DANGER ELECT. SHOCK HAZ. ....	1.....	A63210100A
13	A5552000804	DECAL: CAUTION, OPS. PROCEDURE .....	1.....	A5520080 (FRENCH)
14	A5552000704	DECAL: CAUTION, OPS. PROCEDURE .....	1.....	A5520070A (ENGLISH)
15	9504000204	DECAL: WARNING, START FIRES .....	1.....	A90400020
16	A9504000104	DECAL: DANGER, DANGEROUS GAS .....	1.....	A90400010

# GAC2.5HR — GENERATOR ASSY.

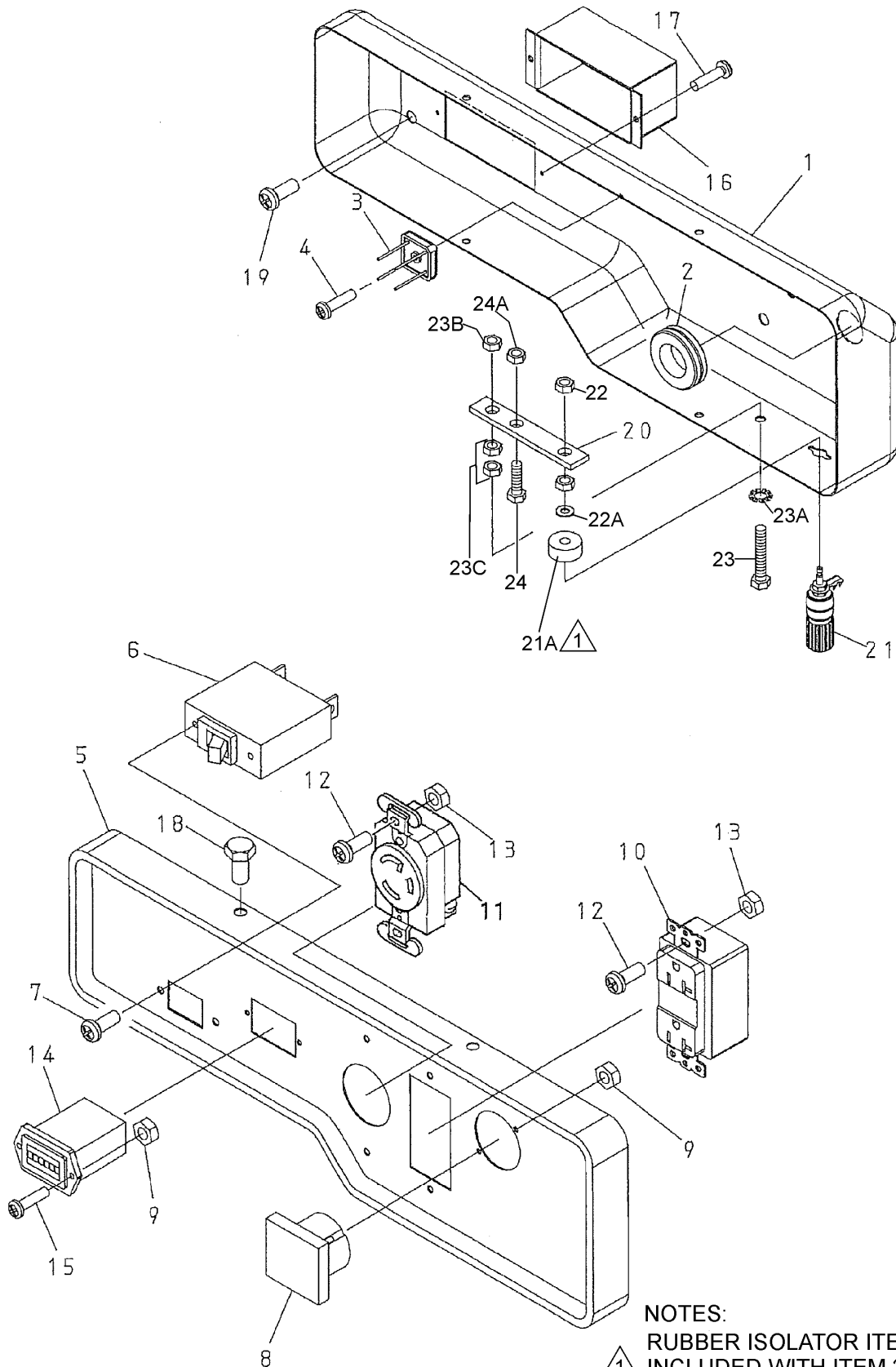




## GAC2.5HR — GENERATOR ASSY.

<u>NO.</u>	<u>PART NO.</u>	<u>PART NAME</u>	<u>QTY.</u>	<u>REMARKS</u>
1	7931000203	ROTOR ASSY. ....	1.....	INCLUDES ITEMS W/\$
1-1\$		FIELD COIL ASSY. ....	1.....	NOT SOLD SEPARATELY
1-2\$	0601823213	RECTIFIER	2	
1-2A\$	0601822638	SURGE ABSORBER .....	2.....	S/N 5857254 AND BELOW
1-2A\$	0601822692	SURGE ABSORBER .....	2.....	S/N 5857255 AND ABOVE
2	7681017104	SET BOLT, ROTOR	1	
3	0801086004	SET WASHER, BEARING	1	
4	0040008000	WASHER, LOCK	1	
5	A2135001703	ARMATURE ASSY.	1	
6	7931315002	END BRACKET (C SIDE)	1	
7	7931315102	END BRACKET (B SIDE)	1	
8	7875021523	GUIDE PANEL, AIR	1	
9	7681331003	COVER	1	
10	7681344204	SET BOLT, STATOR	4	
11	0040006000	WASHER, LOCK	4	
12	0041206000	WASHER, FLAT	4	
13	7871329514	GROMMET	1	
14	0601851760	CAP	1	
15	0013608025	HEX. HEAD BOLT	4	
16	0040008000	WASHER, LOCK	4	
17	7935420104	MUFFLER STAY	1	
18	0017106016	HEX. HEAD BOLT	2	
19	7935420004	MUFFLER STAY	1	
20	0207206000	HEX NUT	2	
21	0017108020	HEX HEAD BOLT	1	
22	0603000040	BEARING	1	

# GAC2.5HR — CONTROL BOX ASSY.

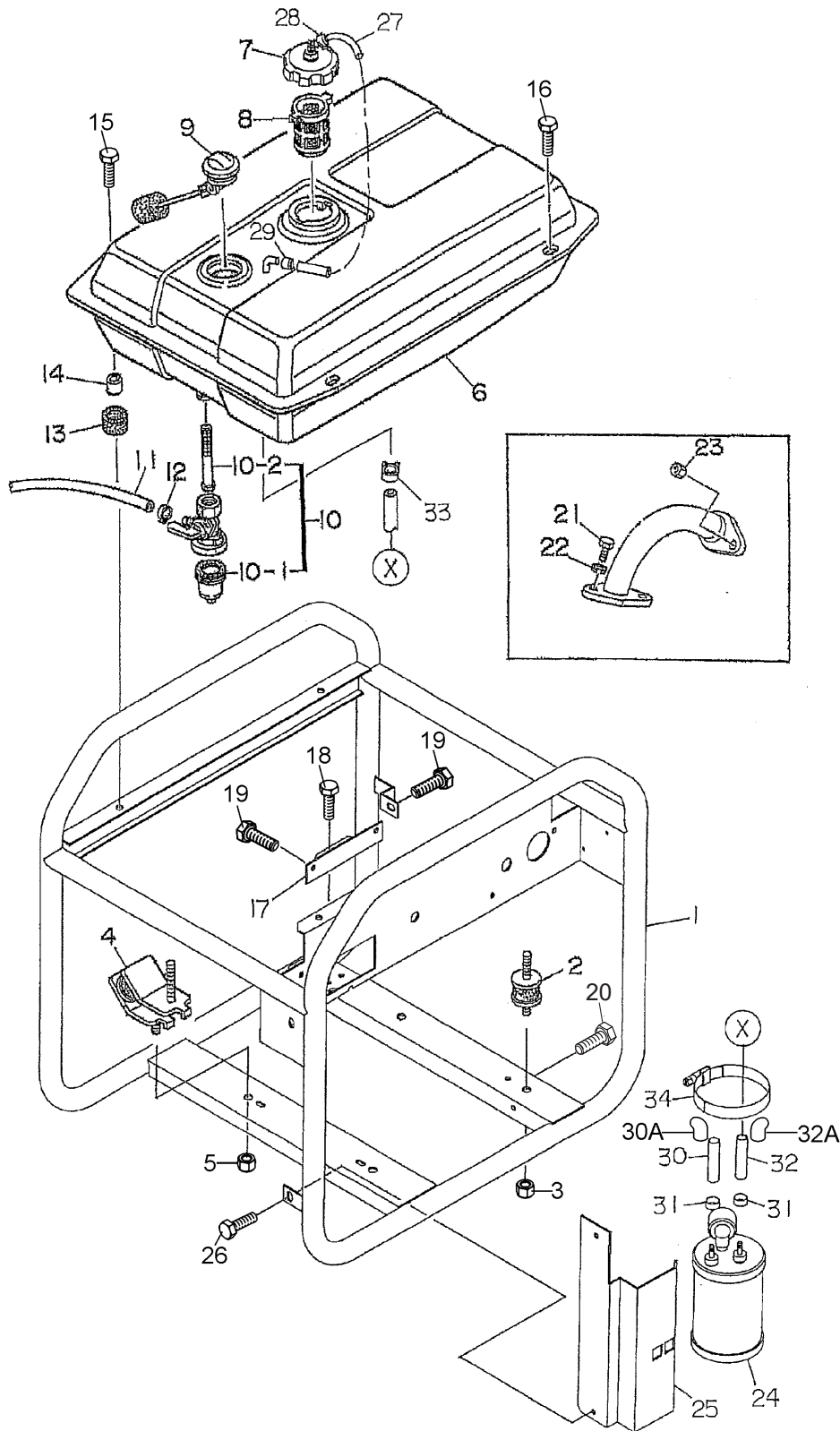


NOTES:  
 RUBBER ISOLATOR ITEM 21A  
 INCLUDED WITH ITEM 21, GROUND  
 TERMINAL.

## GAC2.5HR — CONTROL BOX ASSY.

<u>NO.</u>	<u>PART NO.</u>	<u>PART NAME</u>	<u>QTY.</u>	<u>REMARKS</u>
1	A0101000103	CONTROL BOX	1	
2	0801354504	GROMMET	1	
3	0601823204	RECTIFIER	1	
4	0021003012	MACHINE SCREW	1	
5	A2224000103	CONTROL PANEL	1	
6	Y0601871835	CIRCUIT BREAKER, 20A 250V	1	
7	0021004010	MACHINE SCREW	2	
8	0601806867	AC VOLTMETER, 0~120V	1	
9	Y0038403000	HEX. NUT	4	
10	0601814013	RECEPTACLE, 5-20R.....	1	S/N 5843720 AND BELOW
10	0601814034	RECEPTACLE, 5-20R.....	1	S/N 5843721 AND ABOVE
11	0601812592	RECEPTACLE, L5-20R.....	1	REPLACES P/N 0601811092
12	0021004010	MACHINE SCREW	4	
13	OEMAA8	HEX NUT .....	4	REPLACES P/N 0030004000
14	0601800699	HOUR METER	1	
15	Y0021003012	HEX. HEAD BOLT	2	
16	Y2225200004	COVER, CIRCUIT BREAKER	1	
17	0021003010	MACHINE SCREW	2	
18	0017105010	HEX. HEAD BOLT	4	
19	0017106016	HEX. HEAD BOLT	4	
20	3262800104	TERMINAL PLATE	1	
21	0601815147	GROUND TERMINAL .....	1	INCLUDES ITEM W\$
21A\$		RUBBER ISOLATOR	1	
22	0030005000	HEX. NUT .....	2	REPLACES P/N 0207005000
22A	58151	WASHER, FLAT .....	2	REPLACES P/N 0401450050
23	0012905040	HEX HEAD BOLT	1	
23A	0040505000	STAR TOOTH WASHER	1	
23B	0030005000	HEX. NUT .....	1	REPLACES P/N 0207005000
23C	0031005000	HEX. NUT	2	
24	0017105020	HEX HEAD BOLT	2	
24A	0030005000	HEX. NUT .....	2	REPLACES P/N 0207005000

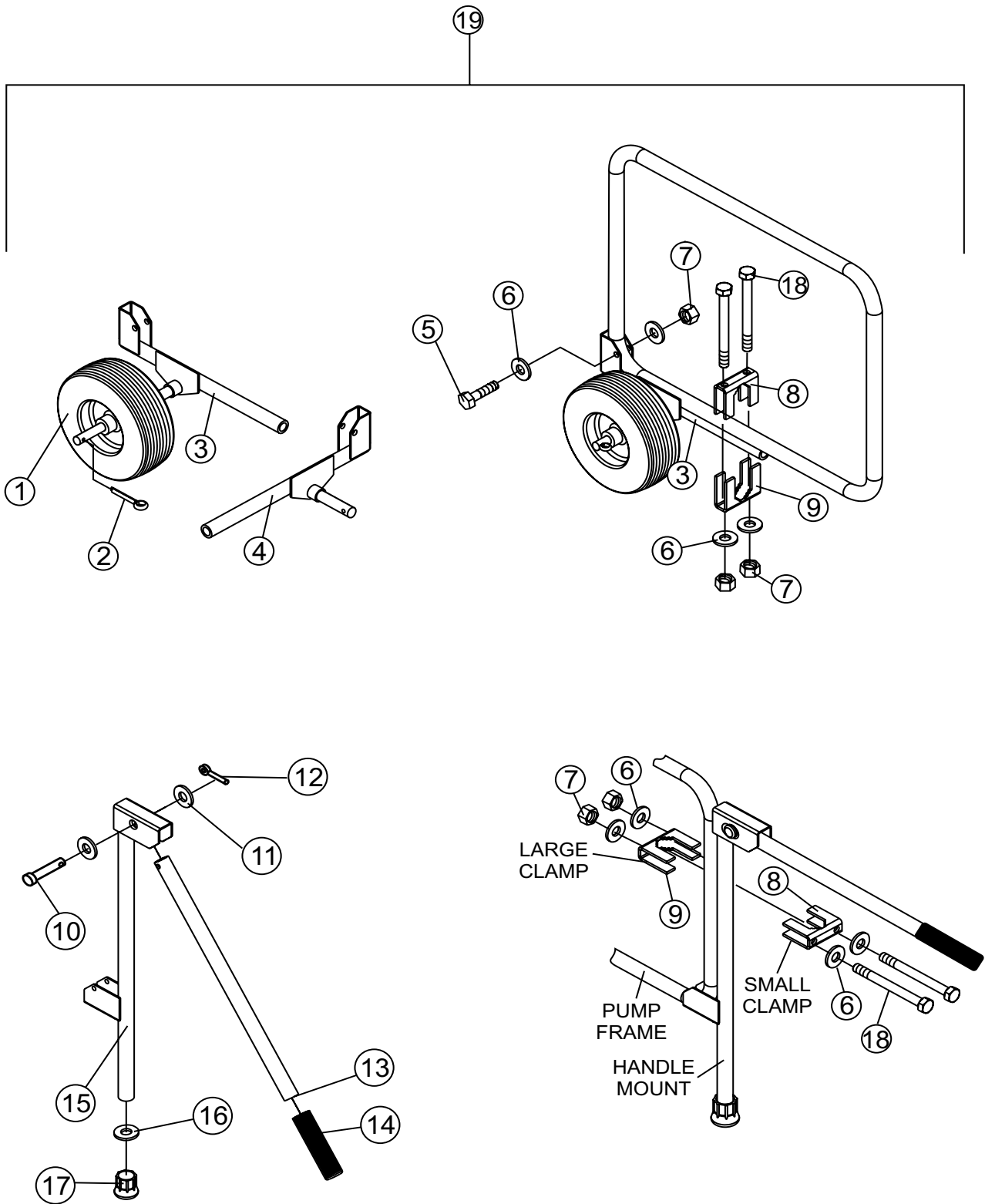
# GAC2.5HR — PIPE FRAME ASSY.



## GAC2.5HR — PIPE FRAME ASSY.

<u>NO.</u>	<u>PART NO.</u>	<u>PART NAME</u>	<u>QTY.</u>	<u>REMARKS</u>
1	A2417001602	PIPE FRAME	1	
2	7935419204	RUBBER SUSPENSION	2	
3	020108060	HEX. NUT .....	4	REPLACES P/N 0207008000
4	7935419304	RUBBER SUSPENSION	2	
5	020108060	HEX. NUT .....	4	REPLACES P/N 0207008000
6	A2361000004	FUEL TANK.....	1	S/N 5883772 AND BELOW
6	A2361000014	FUEL TANK.....	1	S/N 5883773 AND ABOVE
7	0430430120	CAP, FUEL TANK .....	1	REPLACES P/N 0605505068 S/N 5883772 AND BELOW
7	A2361000304	CAP, FUEL TANK .....	1	S/N 5883773 AND ABOVE
8	0641360030	FUEL FILTER.....	1	REPLACES P/N 0605505162
9	0602125034	FUEL GAUGE	1	
10	16950898633	COCK ASSY., FUEL .....	1	REPLACES P/N Y0605510064 INCLUDES ITEMS W/#
10-1#	16081471831	CUP, FUEL STRAINER.....	1	REPLACES P/N 0605510066
10-2#	16952GG2731	SCREEN SET .....	1	REPLACES P/N Y0605510063
11	91424ZBH801	HOSE.....	1	REPLACES P/N Y0605513217
12	950024080008	HOSE BAND.....	2	REPLACES P/N 0605515241
13	7855525514	RUBBER CUSHION	2	
14	7855525604	COLLAR	2	
15	011208030	HEX. HEAD BOLT .....	2	REPLACES P/N 0017108030
16	011008020	HEX. HEAD BOLT .....	2	REPLACES P/N 0017108020
17	7935421004	BRACKET	1	
18	0017106016	HEX. HEAD BOLT	2	
19	0017106016	HEX. HEAD BOLT	3	
20	0019206016	HEX. HEAD BOLT	1	
21	0011308020	HEX. HEAD BOLT	2	
22	0040008000	WASHER, LOCK	2	
23	020108060	HEX. NUT .....	2	REPLACES P/N 0031308000
24	Y0605507004	CANISTER.....	1	S/N 5857254 AND BELOW
24	Y0605507008	CANISTER.....	1	S/N 5857255 AND ABOVE
25	A2261600504	BRACKET	1	
26	0016906015	HEX. HEAD BOLT	2	
27	2776965101	HOSE.....	1	REPLACES P/N 0605513189 S/N 5843720 AND BELOW
27	Y0605513219	HOSE.....	1	S/N 5843721 AND ABOVE
28	0605515280	HOSE BAND.....	1	S/N 5843720 AND BELOW
29	0605515281	HOSE BAND.....	1	S/N 5843720 AND BELOW
30	0605513188	HOSE	1	
30A	Y0605513218	RUBBER CAP	1	
31	0605515224	HOSE BAND	2	
32	0605513186	HOSE	1	
32A	Y0605513218	RUBBER CAP	1	
33	0605515223	HOSE BAND.....	2	S/N 5843720 AND BELOW
33	0605515223	HOSE BAND.....	4	S/N 5843721 AND ABOVE
34	Y0605515210	HOSE BAND	1	

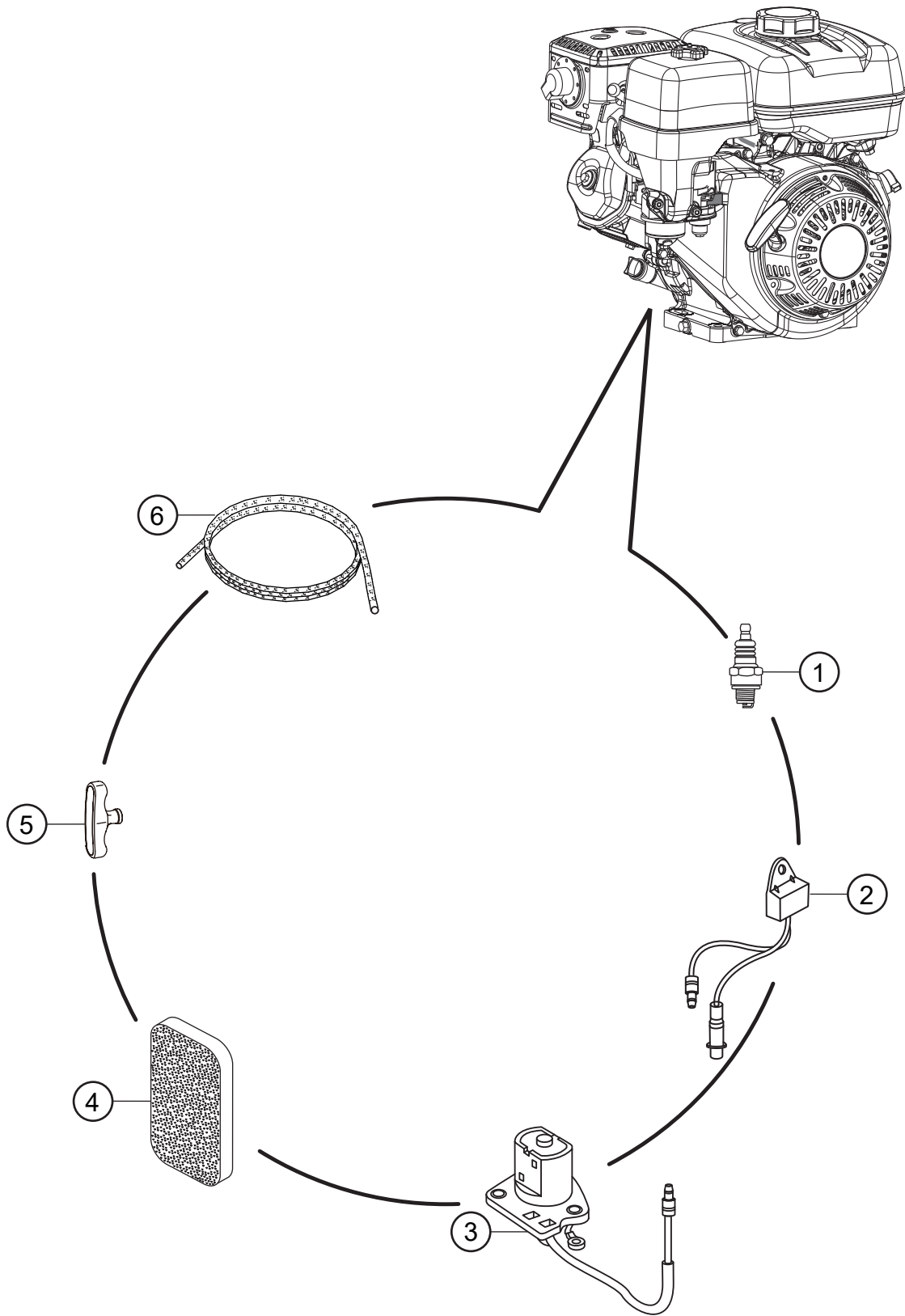
# GAC2.5HR — UWKB WHEEL KIT ASSY. (OPTION)



## GAC2.5HR — UWKB WHEEL KIT ASSY. (OPTION)

<u>NO.</u>	<u>PART NO.</u>	<u>PART NAME</u>	<u>QTY.</u>	<u>REMARKS</u>
1#	19850	WHEEL TIRE SOLID .....	2.....	REPLACES P/N WK1312
2#	8158	PIN, COTTER, 3/16" X 1-1/2"	2	
3#	29748	AXLE MOUNT W/A LEFT 3-5/8"	1	
4#	29744	AXLE MOUNT W/A RIGHT 3-5/8"	1	
5#	WK34715	SCREW, M6 X 45	4	
6#	0948	WASHER, FLAT SAE 1/4"	24	
7#	WK34717	NUT, NYLOC M6	12	
8#	WK2250	CLAMP, SMALL	4	
9#	WK2300	CLAMP, LARGE	4	
10#	29787	PIN, CLEVIS 5/16 X 1-1/2"	2	
11#	0300 B	WASHER, FLAT SAE 5/16"	4	
12#	0683	PIN, COTTER 3/32" X 3/4"	2	
13#	29739	TUBE, HANDLE	2	
14#	15081	GRIP, HAND.....	2.....	REPLACES P/N 19717
15#	29746	HANDLE MOUNT W/A	2	
16#	4001	WASHER, FLAT USS 3/8" PLD	2	
17#	19716	CRUTCH TIP	2	
18#	WK34716	SCREW, HHC M6 X 90MM	8	
19	UWKB	WHEEL KIT, UNIVERSAL.....	1.....	INCLUDES ITEMS W/#

# ENGINE SERVICE PARTS





## ENGINE SERVICE PARTS

---

<u>NO.</u>	<u>PART NO.</u>	<u>PART NAME</u>	<u>QTY.</u>	<u>REMARKS</u>
1	9807956846	SPARK PLUG	1	
2	34150ZH7013	OIL ALERT UNIT	1	
3	35480Z0T003	SWITCH ASSY., OIL LEVEL	1	
4	17211ZB2000	ELEMENT, AIR CLEANER	1	
5	28461Z4M003	KNOB, RECOIL STARTER	1	
6	28462ZH8003	ROPE, RECOIL	1	

# PARTS MANUAL

## HERE'S HOW TO GET HELP

PLEASE HAVE THE MODEL AND SERIAL  
NUMBER ON-HAND WHEN CALLING

### UNITED STATES

#### *Multiquip Inc.*

(310) 537- 3700  
6141 Katella Avenue Suite 200  
Cypress, CA 90630  
E-MAIL: mq@multiquip.com  
WEBSITE: www.multiquip.com

### CANADA

#### *Multiquip*

(450) 625-2244  
4110 Industriel Boul.  
Laval, Quebec, Canada H7L 6V3  
E-MAIL: infocanada@multiquip.com

### UNITED KINGDOM

#### *Multiquip (UK) Limited Head Office*

0161 339 2223  
Unit 2, Northpoint Industrial Estate,  
Globe Lane,  
Dukinfield, Cheshire SK16 4UJ  
E-MAIL: sales@multiquip.co.uk

© COPYRIGHT 2022, MULTIQUIP INC.

Multiquip Inc, the MQ logo and the MQ Power logo are registered trademarks of Multiquip Inc. and may not be used, reproduced, or altered without written permission. All other trademarks are the property of their respective owners and used with permission.

This manual MUST accompany the equipment at all times. This manual is considered a permanent part of the equipment and should remain with the unit if resold.

The information and specifications included in this publication were in effect at the time of approval for printing. Illustrations, descriptions, references and technical data contained in this manual are for guidance only and may not be considered as binding. Multiquip Inc. reserves the right to discontinue or change specifications, design or the information published in this publication at any time without notice and without incurring any obligations.

Manufactured for  
MQ Power Inc.  
by  
DENYO MANUFACTURING CO.

