

PARTS MANUAL



MODEL GAC6HR/GAC6HRS PORTABLE GENERATORS (HONDA GX340RT2EDN2/GX340RT2EDE2 GASOLINE ENGINES)

**PARTS LIST NO. A5874201904E/GAC6HR
PARTS LIST NO. A5874202004B/GAC6HRS**

Revision #2 (07/22/21)

To find the latest revision of this publication or
associated operation manual, visit our website
at: www.mqpower.com



THIS MANUAL MUST ACCOMPANY THE EQUIPMENT AT ALL TIMES.

GAC6HR/GAC6HRS 60Hz Portable Generators

Table Of Contents.....	2
Explanation of Code in Remarks Column.....	4
Suggested Spare Parts	5

Component Drawings

Nameplate And Decals Assembly	6-7
Generator Assembly	8-9
Control Box Assembly (GAC6HR)	10-11
Control Box Assembly (GAC6HRS).....	12-13
Pipe Frame Assembly.....	14-17
Battery Assembly (GAC6HRS).....	18-19
Muffler Assembly	20-21
Wheel Kit Assembly.....	22-23
Engine Service Parts.....	24-25

NOTICE

Specifications and part numbers are subject to change without notice.

EXPLANATION OF CODE IN REMARKS COLUMN

The following section explains the different symbols and remarks used in the Parts section of this manual. Use the help numbers found on the back page of the manual if there are any questions.

NOTICE

The contents and part numbers listed in the parts section are subject to change **without notice**. Multiquip does not guarantee the availability of the parts listed.

SAMPLE PARTS LIST

NO.	PART NO.	PART NAME	QTY.	REMARKS
1	12345	BOLT	1	INCLUDES ITEMS W/%
2%		WASHER, 1/4 IN.		NOT SOLD SEPARATELY
2%	12347	WASHER, 3/8 IN. ...	1	MQ-45T ONLY
3	12348	HOSE	A/R	MAKE LOCALLY
4	12349	BEARING	1	S/N 2345B AND ABOVE

NO. Column

Unique Symbols — All items with same unique symbol (@, #, +, %, or >) in the number column belong to the same assembly or kit, which is indicated by a note in the “Remarks” column.

Duplicate Item Numbers — Duplicate numbers indicate multiple part numbers, which are in effect for the same general item, such as different size saw blade guards in use or a part that has been updated on newer versions of the same machine.

NOTICE

When ordering a part that has more than one item number listed, check the remarks column for help in determining the proper part to order.

PART NO. Column

Numbers Used — Part numbers can be indicated by a number, a blank entry, or TBD.

TBD (To Be Determined) is generally used to show a part that has not been assigned a formal part number at the time of publication.

A blank entry generally indicates that the item is not sold separately or is not sold by Multiquip. Other entries will be clarified in the “Remarks” Column.

QTY. Column

Numbers Used — Item quantity can be indicated by a number, a blank entry, or A/R.

A/R (As Required) is generally used for hoses or other parts that are sold in bulk and cut to length.

A blank entry generally indicates that the item is not sold separately. Other entries will be clarified in the “Remarks” Column.

REMARKS Column

Some of the most common notes found in the “Remarks” Column are listed below. Other additional notes needed to describe the item can also be shown.

Assembly/Kit — All items on the parts list with the same unique symbol will be included when this item is purchased.

Indicated by:

“INCLUDES ITEMS W/(unique symbol)”

Serial Number Break — Used to list an effective serial number range where a particular part is used.

Indicated by:

“S/N XXXXX AND BELOW”

“S/N XXXX AND ABOVE”

“S/N XXXX TO S/N XXX”

Specific Model Number Use — Indicates that the part is used only with the specific model number or model number variant listed. It can also be used to show a part is NOT used on a specific model or model number variant.

Indicated by:

“XXXXX ONLY”

“NOT USED ON XXXX”

“Make/Obtain Locally” — Indicates that the part can be purchased at any hardware shop or made out of available items. Examples include battery cables, shims, and certain washers and nuts.

“Not Sold Separately” — Indicates that an item cannot be purchased as a separate item and is either part of an assembly/kit that can be purchased, or is not available for sale through Multiquip.

SUGGESTED SPARE PARTS

GAC6HR/GAC6HRS PORTABLE 60HZ GENERATORS

1 to 3 units

Qty.	P/N	Description
2	3015419604	RUBBER SUSPENSION
2	1665419004	RUBBER SUSPENSION
1	0430430120	CAP FUEL TANK
1	0641360030	FILTER FUEL
3	16950ZB4015	FUEL STRAINER

NOTICE

Part numbers on this Suggested Spare Parts list may supersede/replace the part numbers shown in the following parts lists.

HONDA GX340RT2EDN2/GX340RT2EDE2 GASOLINE ENGINES

1 to 3 units

3	9807955876	SPARK PLUG
2	28462ZE3W01	ROPE, RECOIL STARTER
2	28461Z5T305	GRIP, STARTER
3	17211899000	ELEMENT AIR CLEANER

GAC6HR/GAC6HRS— NAMEPLATE AND DECALS ASSY.

WARNING
Operation of this equipment may create sparks that can start fires around dry vegetation.
A spark arrestor may be required. The operator should contact local fire agencies for laws or regulations relating to fire prevention requirements.
Des étincelles pouvant enflammer la végétation sèche environnante peuvent être produites pendant le fonctionnement de cet équipement.
Un pare-étincelles peut être requis. L'opérateur doit contacter les agences anti-incendie locales pour s'informer des lois ou réglementations concernant les exigences de prévention-incendie.

CAUTION
Maximum Capacity of Lifting
Ball is 230 lbs.

CAUTION
Do not use in rain or snow.
ATTENTION
Ne pas utiliser en cas de pluie ou neige.

CAUTION

- READ OWNER'S SERVICE MANUAL BEFORE OPERATING OR SERVICING THIS MACHINE.
- ALWAYS KEEP UNAUTHORIZED INEXPERIENCED UNTRAINED PEOPLE AWAY FROM THIS MACHINE.
- MAKE SURE ALL SAFETY DEVICES ARE OPERATIONAL BEFORE THIS MACHINE IS STARTED. MAKE SURE ENGINE IS TURNED OFF AND SPARK PLUG WIRE DISCONNECTED BEFORE SERVICING THE MACHINE OR COMING IN CONTACT WITH ANY MOVING PART. IF EQUIPMENT IS POWERED BY AN ELECTRIC MOTOR, DISCONNECT ELECTRICAL PLUG.
- NEVER LEAVE MACHINE UNATTENDED WHEN OPERATING. ALWAYS STOP ENGINE AND ALLOW ENGINE TO COOL BEFORE ADDING FUEL OR OIL.

CAUTION

- Il est impératif de lire le manuel d'utilisation avant d'utiliser ou de réparer cet équipement.
- Il est impératif de garder tout personnel non autorisé ou non qualifié à distance de cet équipement.
- Assurez-vous que tout équipement de sécurité est fonctionnel avant d'engager l'équipement. Assurez-vous que le moteur est éteint et que le fil de la bougie est déconnecté avant de réparer la machine ou avant tout contact avec toute pièce en mouvement. Si l'équipement est alimenté par un moteur électrique, déconnectez l'appareil.
- Ne laissez jamais l'appareil sans supervision quand il est en marche. Il est impératif d'arrêter le moteur et de le laisser refroidir avant d'ajouter de l'huile ou du carburant.

DANGER
Using a generator indoors **CAN KILL YOU IN MINUTES!**
Utiliser un générateur à l'intérieur **VOUS TUERA EN QUELQUES MINUTES!**
Exhaust contains carbon monoxide, a poison gas you cannot see or smell.
Les gaz d'échappement contiennent du monoxyde de carbone, un gaz toxique invisible et inodore.

DANGER
NEVER use in enclosed or partially enclosed areas.
NEVER use in a tent or other structure.
ONLY use outdoors and away from open windows, doors, and vents.
NEVER use in a structure or tent or other enclosed structure.

DANGER
THE POSSIBILITY EXISTS OF **RE-IGNITION** IF DISCONNECTED CABLES OR WIRE ARE CONTACTED. ALWAYS CONNECT CABLES CORRECTLY (GROUND SIDE TO GENERATOR GROUND POINT).
IL Y A RISQUE DE RE-IGNITION SI UN CÂBLE DÉCONNECTÉ OU UN FIL EST EN CONTACT. TOUJOURS BRANCHER LES CÂBLES CORRECTEMENT (CÔTÉ GROUND À LA TERRE DE RÉFÉRENCE).

CAUTION/ATTENTION
HOT PARTS can burn skin. **DO NOT** touch until the machine has cooled.
Danger de brûlure, parties chaudes. Ne pas toucher avant que la machine ait refroidi.

WARNING/ATTENTION
Only operate machine in well ventilated areas.
Do not work without gloves.
Do not touch electrical parts.
Do not use equipment near flammable liquids or gases.
Do not require part for part of equipment.
Only qualified personnel should install, use, or service this equipment.
Seul un personnel qualifié devrait installer ou servir cet équipement.
Ne pas utiliser cet équipement près de liquides inflammables ou de gaz.

DANGER
Do not touch with wet hands or when raining.
Do not touch any terminals related to the equipment when it is operating.
Do not touch any terminals.
Only qualified personnel should install, use, or service this equipment.
Ne pas toucher avec les mains mouillées ou pendant qu'il pleut.
Ne pas toucher les bornes de l'équipement.

DANGER
Explosive gases.
Only qualified personnel should install, use, or service this equipment.
Seul un personnel qualifié devrait installer ou servir cet équipement.
Ne pas utiliser cet équipement près de gaz inflammables.

DANGER
Explosive gases.
Cigarettes, lamps or sparks could cause battery to explode. Always use proper lighting in well ventilated areas. Do not charge or use batteries unless or unless your system has a battery group cover and battery cover is secured for protection of the battery from vibration or damage.
Les gaz d'échappement peuvent provoquer l'explosion de la batterie. Utilisez une lampe à gaz dans une zone bien ventilée. Ne chargez pas ou n'utilisez pas les batteries à moins que votre système ait une couverture pour protéger la batterie contre les vibrations ou les dommages.
KEEP VENT CAPS TIGHT AND LEVEL.
POISON CAUSES SEVERE BURNS
Contains sulfuric acid. A acid contact with skin, eyes or clothing. In event of accident flush with water and call a physician immediately.
KEEP OUT OF REACH OF CHILDREN.

DANGER Gas explosifs
Les gaz d'échappement peuvent provoquer l'explosion de la batterie. Utilisez une lampe à gaz dans une zone bien ventilée. Ne chargez pas ou n'utilisez pas les batteries à moins que votre système ait une couverture pour protéger la batterie contre les vibrations ou les dommages.
Gardez les couvercles serrés et à niveau.
POISON peut causer des brûlures sévères
Contient de l'acide sulfurique. En cas de contact avec la peau, les yeux ou vêtements. En cas d'accident rincer avec de l'eau et appeler un médecin immédiatement.
Gardez les enfants à distance.

MODEL SERIAL NO.

**Insulation System — B
Maximum ambient Temperature — 40°C (104°F)
Système d'isolation — B
Température ambiante maximum — 40°C (104°F)**

FUEL COCK ROBINET D'ESSENCE ON/OUVERT OFF/FERMER

AIR CLEANER MAINTENANCE
CLEAN ELEMENT EVERY 50 HOURS (EVERY 10 HOURS UNDER DUSTY CONDITIONS). WASH IN HIGH FLASH-POINT SOLVENT SQUEEZE DRY, THE DIP IN CLEAN ENGINE OIL AND SQUEEZE OUT EXCESS OIL.

PIN LOCK PIN A31100111

MS POWER 6kW

MAIN AC CIRCUIT BREAKER DISJONCTEUR PRINCIPALE DE COURANT CA
AC VOLTMETER VOLTMÈTRE CA
MARCH/ON
STOP/ARRÊT
SPEED CONTROL/INTENSIFICATEUR DE PUISSANCE
GR PULSE DE TROUSSE

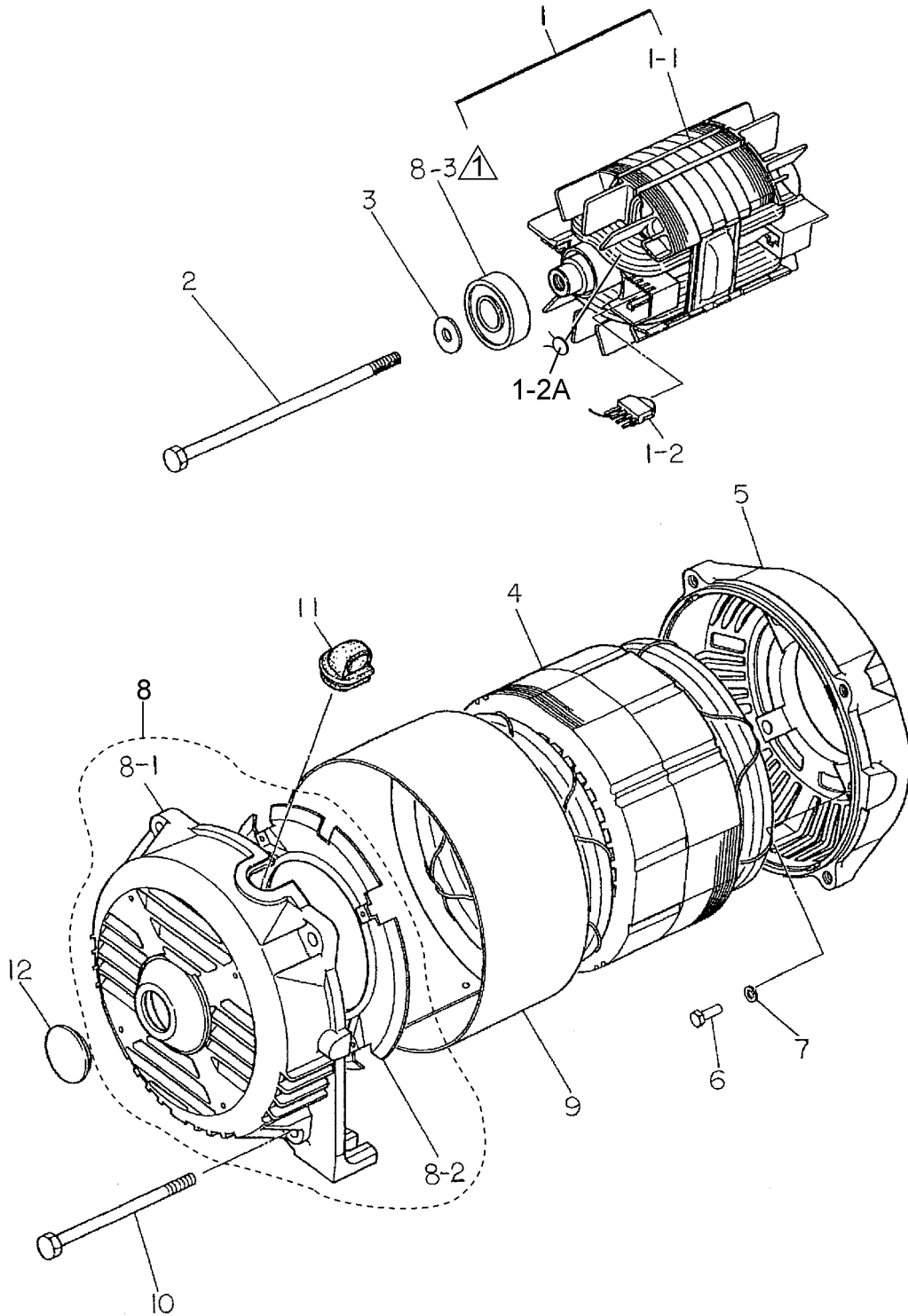
MS POWER 6kW
MAIN AC CIRCUIT BREAKER DISJONCTEUR PRINCIPALE DE COURANT CA
AC VOLTMETER VOLTMÈTRE CA
MARCH/ON
STOP/ARRÊT
SPEED CONTROL/INTENSIFICATEUR DE PUISSANCE
GR PULSE DE TROUSSE

PAGE 6 — GAC6HR/HRS 60 HZ GENERATOR • PARTS MANUAL — REV. #2 (07/22/21)

GAC6HR/GAC6HRS— NAMEPLATE AND DECALS ASSY.

NO.	PART NO.	PART NAME	QTY.	REMARKS
1	A3552000004	DECAL: CAUTION, SNOW RAIN	1.....	A35200000A
2	9504000204	DECAL: WARNING, START FIRES	1.....	A90400020
3	A9504000104	DECAL: DANGER, DANGEROUS GAS	1.....	A90400010
4		DECAL: NAMEPLATE.....	1.....	CONTACT MQ PARTS DEPT.
5	A9511100204	DECAL: DANGER, ELECTROCUTION GND. ...	1.....	A91110020
6	A6552000404	DECAL: CAUTION, HOT PARTS	1.....	A65200040A
7	A3532100304	DECAL: INSULATION TEMP. SPECIFICATION	1.....	A33210030A
8	A5552000704	DECAL: CAUTION, OPS. PROCEDURE	1.....	A55200070A (ENGLISH)
9	A5552000804	DECAL: CAUTION, OPS. PROCEDURE	1.....	A5520080 (FRENCH)
10	A6532101004	DECAL: DANGER ELECT. SHOCK HAZ.	1.....	A63210100A
11	A6532100904	DECAL: WARNING, EXHAUST GASES	1.....	A63210090A
12	A9508200004	DECAL: FUEL COCK	1.....	A90820000
13	A3551000114	DECAL: HANDLE OPERATION	1.....	A35100011
14	A6532101104	DECAL: DANGER, EXPLOSIVE GASES	1.....	A63210110A (ENGLISH)
15	A6532101404	DECAL: DANGER, EXPLOSIVE GASES	1.....	A63210110A (FRENCH)
16	87533ZC0630	DECAL: AIR CLEANER	1.....	REPLACES P/N 0600500045
17	A5561001003	DECAL: MQ POWER	1	
18	0800689404	DECAL: +, POSITIVE	1.....	GAC6HRS ONLY
19	0800689504	DECAL: -, NEGATIVE	1.....	GAC6HRS ONLY
20	87528898620	DECAL: CHOKE	1.....	REPLACES P/N 0600500047
21	A5511203202	DECAL: CONTROL PANEL, GAC6HR	1.....	A51120320
22	A5511203402	DECAL: CONTROL PANEL, GAC6HRS.....	1.....	A51120340
23	A9511101504	DECAL: CAUTION, GAC6HR.....	1.....	A91110150
				S/N 5857274 AND ABOVE
23	A9511101504	DECAL: CAUTION,, GAC6HRS.....	1.....	A91110150
				S/N 5854945 AND ABOVE

GAC6HR/GAC6HRS — GENERATOR ASSY.

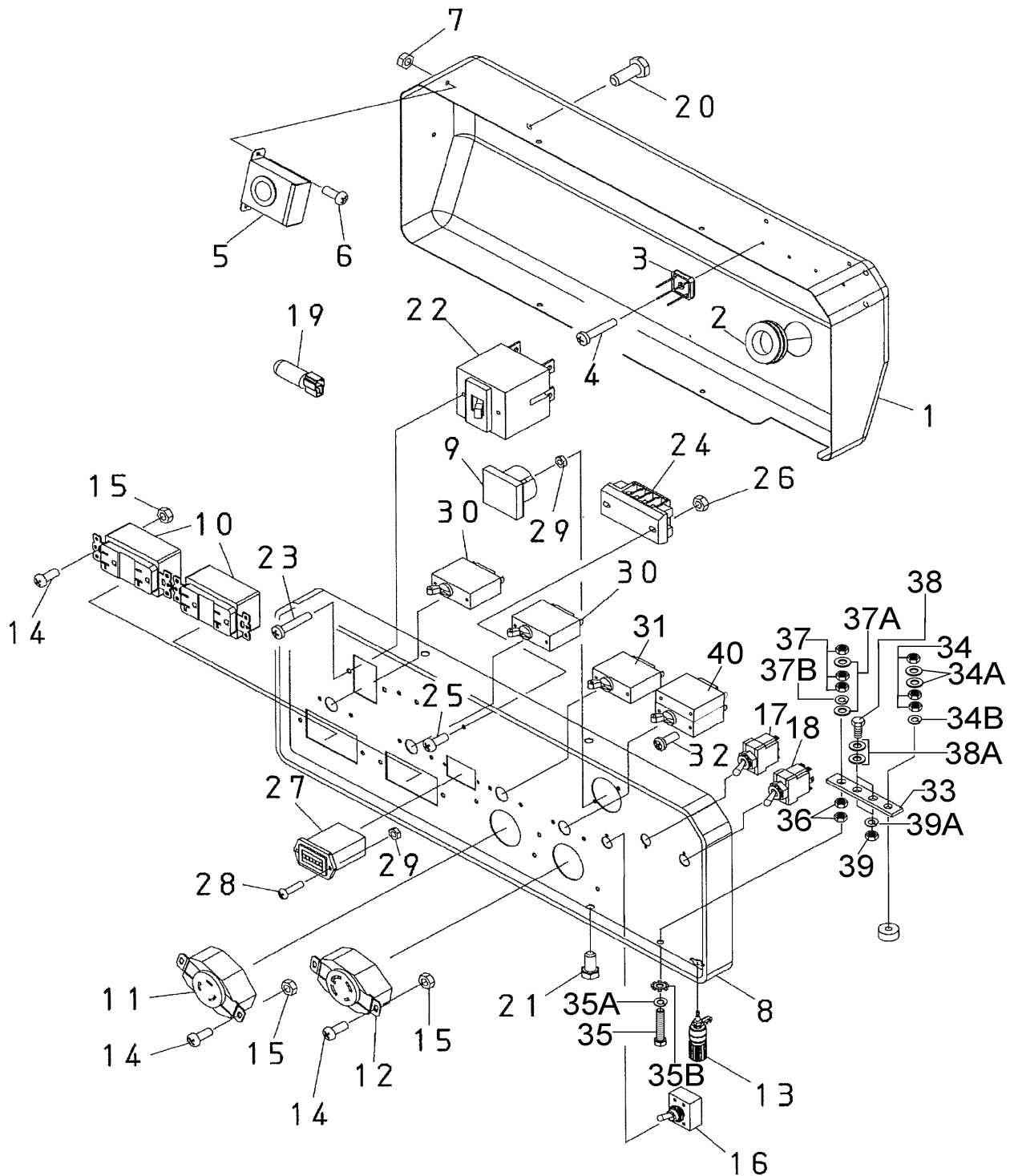


NOTE:
▲ INCLUDED WITH ITEM 8

GAC6HR/GAC6HRS — GENERATOR ASSY.

<u>NO.</u>	<u>PART NO.</u>	<u>PART NAME</u>	<u>QTY.</u>	<u>REMARKS</u>
1	7901002403	ROTOR ASSY.	1.....	INCLUDES ITEMS W/\$
1-1\$		FIELD ASSY.	1	
1-2\$	0601823213	RECTIFIER	2	
1-2A\$	0601822638	SURGE ABSORBER (GAC6HR).....	2.....	INCLUDED WITH ITEM 1-2 S/N 5857273 AND BELOW
1-2A\$	0601822692	SURGE ABSORBER (GAC6HR).....	2.....	INCLUDED WITH ITEM 1-2 S/N 5857274 AND ABOVE
1-2A\$	0601822638	SURGE ABSORBER (GAC6HRS)	2.....	INCLUDED WITH ITEM 1-2 S/N 5854944 AND BELOW
1-2A\$	0601822692	SURGE ABSORBER (GAC6HRS)	2.....	INCLUDED WITH ITEM 1-2 S/N 5854945 AND ABOVE
2	7901017004	SET BOLT, ROTOR	1	
3	0801086104	SET WASHER, BEARING	1	
4	A5136001603	ARMATURE ASSY. (GAC6HR)	1	
4	A5136001703	ARMATURE ASSY. (GAC6HRS)	1	
5	7901315502	END BRACKET	1	
6	0013608020	HEX. HEAD BOLT	4	
7	0040008000	WASHER, LOCK	4	
8	A3154000003	END BRACKET ASSY.....	1.....	INCLUDES ITEMS W/%
8-1%	7871315022	END BRACKET	1	
8-2%	7875021523	GUIDE PANEL, AIR	1	
8-3%	0071706304	BEARING	1	
9	7871331003	COVER	1	
10	7901316004	SET BOLT, STATOR	4	
11	7871329514	GROMMET	1	
12	0601851760	CAP	1	

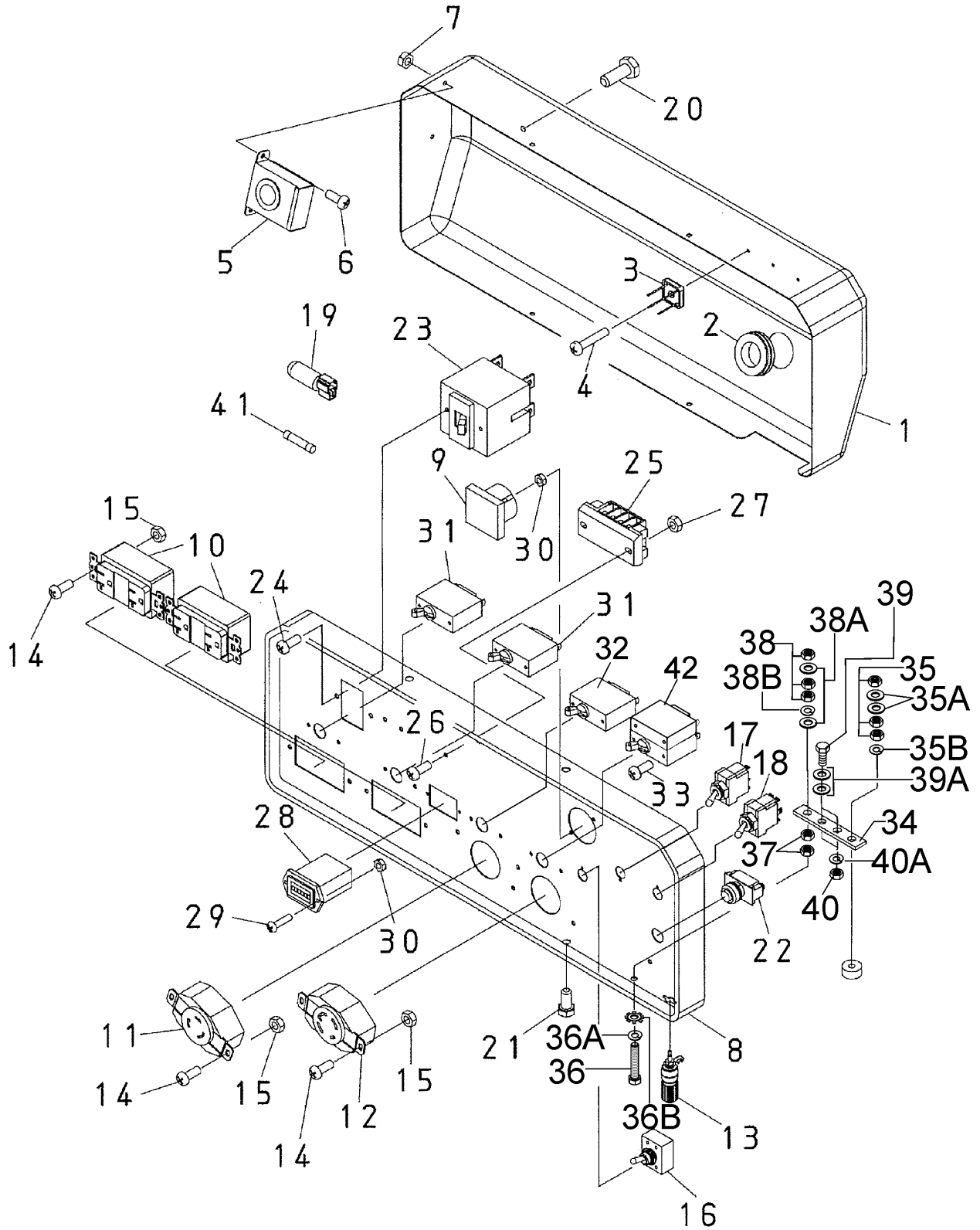
GAC6HR — CONTROL BOX ASSY.



GAC6HR — CONTROL BOX ASSY.

<u>NO.</u>	<u>PART NO.</u>	<u>PART NAME</u>	<u>QTY.</u>	<u>REMARKS</u>
1	A3214000403	CONTROL BOX	1	
2	0601850102	GROMMET	1	
3	0601823204	RECTIFIER	2	
4	0021003012	MACHINE SCREW	2	
5	0601823853	SLOW DOWN UNIT	1	
6	0021004010	MACHINE SCREW	2	
7	OEMAA8	HEX. NUT	2	REPLACES P/N 0030004000
8	A3224000703	CONTROL PANEL	1	
9	0601806819	AC VOLTMETER 0~120/240V	1	
10	0601814013	RECEPTACLE, GFCI 5-20R	2	S/N 5807338 AND BELOW
10	0601814024	RECEPTACLE, GFCI 5-20R	2	S/N 5807339~5860882
10	0601814034	RECEPTACLE, GFCI 5-20R	2	S/N 5860883 AND ABOVE
11	0601811031	RECEPTACLE, L5-30R.....	1	REPLACES P/N 0601811035
12	0601812529	RECEPTACLE, L14-30R	1	
13	0601815147	TERMINAL, GROUND.....	1	
14	0021004010	MACHINE SCREW	8	
15	OEMAA8	HEX. NUT	8	REPLACES P/N 0207004000
16	Y0601830776	FULL POWER SWITCH	1	
17	0601830727	IDLE CONTROL SWITCH	1	
18	0601830738	OPERATION SWITCH	1	
19	A3262800004	CONDENSER ASSY.	1	
20	011106015	HEX. HEAD BOLT	4	REPLACES P/N 0017106015
21	0017105010	HEX. HEAD BOLT	4	
22	0601807464	CIRCUIT BREAKER, 250V 20A 2P	1	
23	0021004006	MACHINE SCREW	2	
24	Y0601815779	TERMINAL BOARD	1	
25	0021004020	MACHINE SCREW	2	
26	OEMAA8	HEX. NUT	2	REPLACES P/N 0207004000
27	Y0601800699	HOUR METER	1	
28	0021003012	MACHINE SCREW	2	
29	0038403000	HEX. NUT	4	
30	Y0601871848	CIRCUIT BREAKER, 20A 1P (CB1/CB2)	2	
31	Y0601871849	CIRCUIT BREAKER, 30A 1P (CB3/CB4)	2	
32	Y0021003008	MACHINE SCREW	8	
33	3262800104	TERMINAL PLATE	1	
34	Y0207005000	HEX. NUT	3	
34A	0041205000	WASHER, FLAT	2	
34B	0040005000	WASHER, LOCK	1	
35	0012905040	HEX HEAD BOLT	1	
35A	0040005000	WASHER, LOCK	1	
35B	0040505000	WASHER, STAR TOOTH	1	
36	Y0207005000	HEX. NUT	2	
37	Y0207005000	HEX. NUT	3	
37A	0041205000	WASHER, FLAT	2	
37B	0040005000	WASHER, LOCK	1	
38	0017105020	HEX HEAD BOLT	2	
38A	0041205000	WASHER, FLAT	4	
39	Y0207005000	HEX. NUT	2	
39A	0040005000	WASHER, LOCK	2	
40	Y0601871853	CIRCUIT PROTECTOR	1	

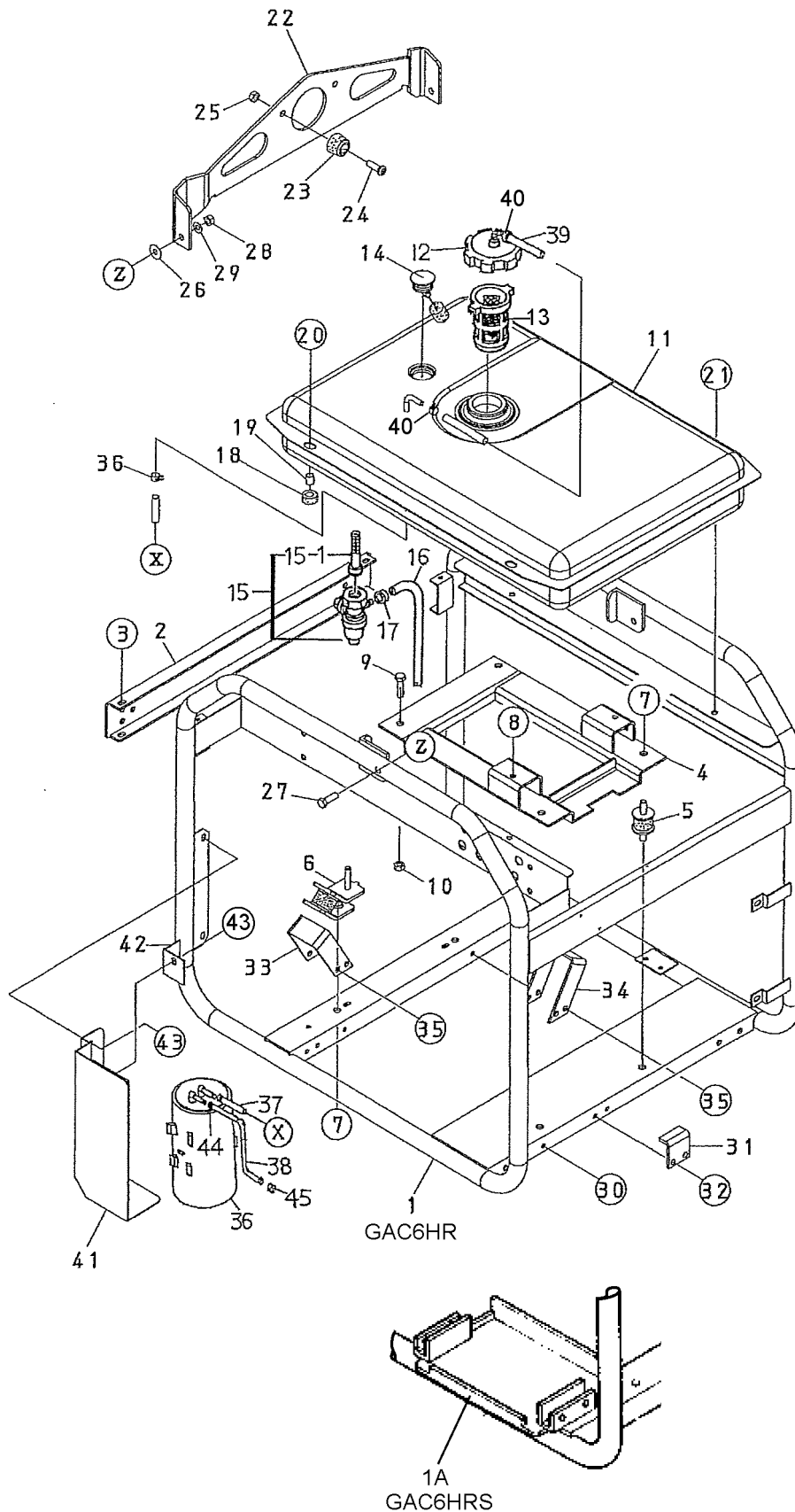
GAC6HRS — CONTROL BOX ASSY.



GAC6HRS — CONTROL BOX ASSY.

NO.	PART NO.	PART NAME	QTY.	REMARKS
1	A3214000403	CONTROL BOX	1	
2	0601850102	GROMMET	1	
3	0601823204	RECTIFIER	3	
4	Y0021003012	MACHINE SCREW	3	
5	0601823853	SLOW DOWN UNIT	1	
6	0021004010	MACHINE SCREW	2	
7	OEMAA8	HEX. NUT	2	REPLACES P/N 0038404000
8	A3224000703	CONTROL PANEL	1	
9	0601806819	AC VOLTMETER 0~120/240V	1	
10	0601814013	RECEPTACLE, GFCI 5-20R	2	S/N 5854944 AND BELOW
10	0601814024	RECEPTACLE, GFCI 5-20R	2	S/N 5854945~5860862
10	0601814034	RECEPTACLE, GFCI 5-20R	2	S/N 5860863 AND ABOVE
11	0601811035	RECEPTACLE	1	
12	0601812529	RECEPTACLE	1	
13	0601815147	TERMINAL, GROUND	1	
14	0021004010	MACHINE SCREW	8	
15	OEMAA8	HEX. NUT	8	REPLACES P/N 0038404000
16	Y0601830776	FULL POWER SWITCH	1	
17	0601830727	IDLE CONTROL SWITCH	1	
18	0601830737	OPERATION SWITCH	1	
19	A3262800004	CONDENSER ASSY.	1	
20	011106015	HEX. HEAD BOLT	4	REPLACES P/N 0017106015
21	0017105010	HEX. HEAD BOLT	4	
22	0602100102	START SWITCH	1	
23	0601807464	CIRCUIT BREAKER, 250V 20A 2P	1	
24	0021004006	MACHINE SCREW	2	
25	Y0601815779	TERMINAL BOARD	1	
26	0021004020	MACHINE SCREW	2	
27	OEMAA8	HEX. NUT	2	REPLACES P/N 0038404000
28	Y0601800699	HOUR METER	1	
29	Y0021003012	MACHINE SCREW	2	
30	0038403000	HEX. NUT	4	
31	Y0601871848	CIRCUIT BREAKER, 20A 1P (CB1/CB2)	2	
32	Y0601871849	CIRCUIT BREAKER, 30A 1P (CB3/CB4)	2	
33	Y0021003008	MACHINE SCREW	8	
34	3262800104	TERMINAL PLATE	1	
35	Y0207005000	HEX. NUT	3	
35A	0041205000	WASHER, FLAT	2	
35B	0040005000	WASHER, LOCK	1	
36	0012905040	HEX HEAD BOLT	1	
36A	0040005000	WASHER, LOCK	1	
36B	0040505000	WASHER, STAR TOOTH	1	
37	Y0207005000	HEX. NUT	2	
38	Y0207005000	HEX. NUT	3	
38A	0041205000	WASHER, FLAT	2	
38B	0040005000	WASHER, LOCK	1	
39	0017105020	HEX HEAD BOLT	2	
39A	0041205000	WASHER, FLAT	4	
40	Y0207005000	HEX. NUT	2	
40A	0040005000	WASHER, LOCK	2	
41	Y0601802137	FUSE, 10A (F1, F2)	2	
42	Y0601871853	CIRCUIT PROTECTOR	1	

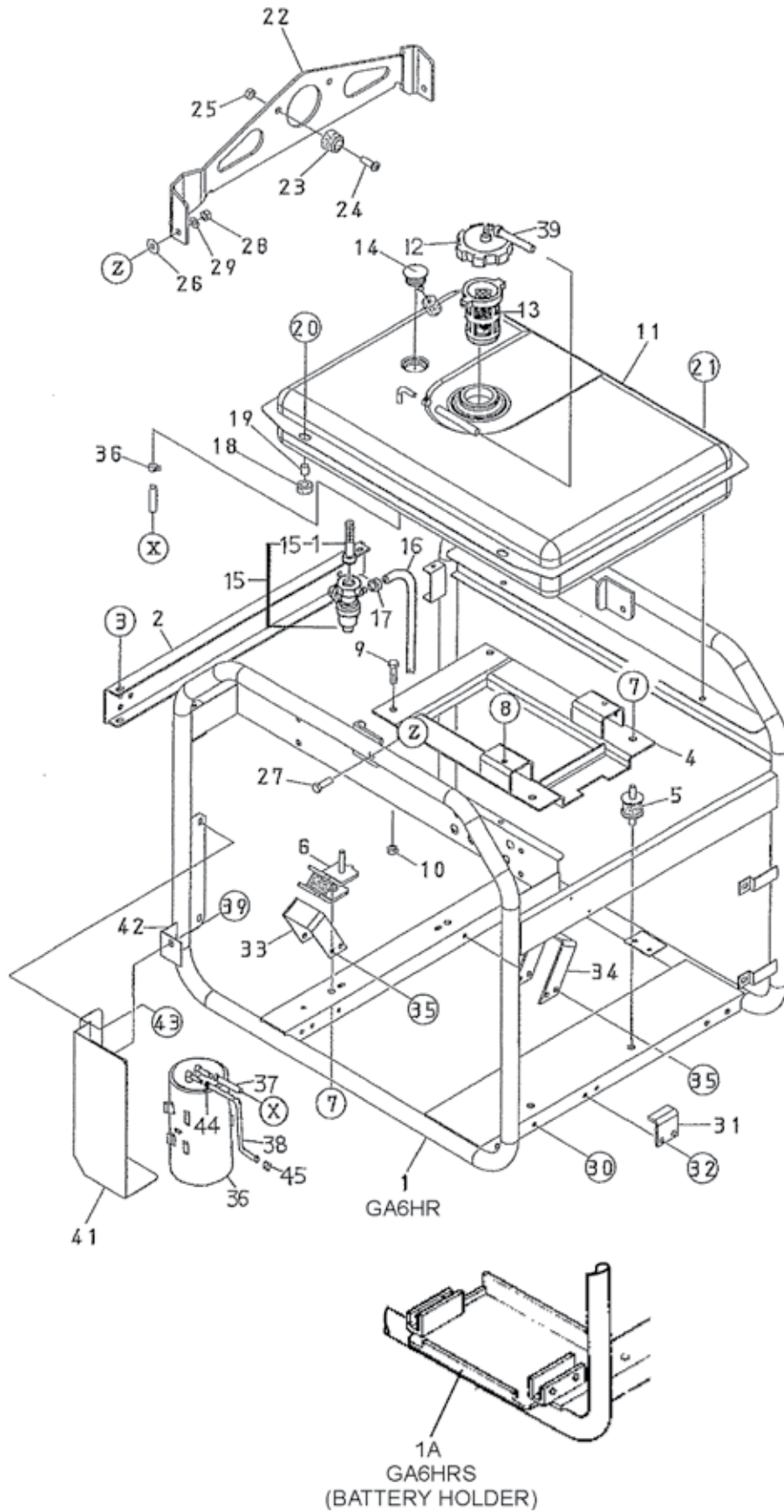
GAC6HR/GAC6HRS — PIPE FRAME ASSY.



GAC6HR/GAC6HRS — PIPE FRAME ASSY.

<u>NO.</u>	<u>PART NO.</u>	<u>PART NAME</u>	<u>QTY.</u>	<u>REMARKS</u>
1	A5417001112	PIPE FRAME, GAC6HR	1	
1A	A5417001212	PIPE FRAME, GAC6HRS	1	
2	A3417100304	BRACKET	1	
3	011106015	HEX. HEAD BOLT	4	REPLACES P/N 0017106015
4	7905443003	BASE	1	
5	3015419604	RUBBER SUSPENSION	2	
6	1665419004	RUBBER SUSPENSION	2	REPLACES P/N 1725419214
7	020108060	HEX. NUT	8	REPLACES P/N 0207008000
8	0017108030	HEX. HEAD BOLT	2	
9	0017108040	HEX. HEAD BOLT	2	
10	020108060	HEX. NUT	2	REPLACES P/N 0207008000
11	A3361000004	FUEL TANK, (GAC6HR)	1	S/N 5878909 AND BELOW
11	A3361000004	FUEL TANK, (GAC6HRS)	1	
11	A3361000014	FUEL TANK, (GAC6HR)	1	S/N 5878910 AND ABOVE
12	0430430120	CAP, FUEL TANK (GAC6HR).....	1	S/N 5878909 AND BELOW
12	0430430120	CAP, FUEL TANK (GAC6HRS)	1	
12	A2361000304	CAP, FUEL TANK (GAC6HR).....	1	S/N 5878910 AND ABOVE
13	0641360030	FUEL FILTER.....	1	REPLACES P/N 0605505162
14	0602125034	FUEL GAUGE	1	
15	16950ZB4015	FUEL STRAINER	1	
15-1	16952ZB4005	SCREEN SET	1	
16	91424ZBH831	HOSE	1	
17	950024080008	HOSE BAND	2	
18	7855525514	RUBBER CUSHION	2	
19	7855525604	COLLAR	2	
20	011208030	HEX. HEAD BOLT	2	REPLACES P/N 0017108030
21	011008020	HEX. HEAD BOLT	2	REPLACES P/N 0017108020
22	A9117200103	HANGER	1	
23	0601850097	STOPPER	1	
24	011208025	MACHINE SCREW	1	REPLACES P/N 0021008025
25	020108060	HEX. NUT	1	REPLACES P/N 0207008000
26	0601851116	PLASTIC WASHER	2	
27	011208025	HEX. HEAD BOLT	2	REPLACES P/N 0011308025
28	Y0037608000	HEX. NUT	2	
29	0042108000	WASHER, FLAT	2	
30	0019206015	HEX. HEAD BOLT	1	
31	7915456004	STOPPER	1	
32	011106015	HEX. HEAD BOLT	2	REPLACES P/N 0017106015
33	7915455103	COVER	1	
34	7855455003	COVER	1	
35	011106015	HEX. HEAD BOLT	6	REPLACES P/N 0017106015

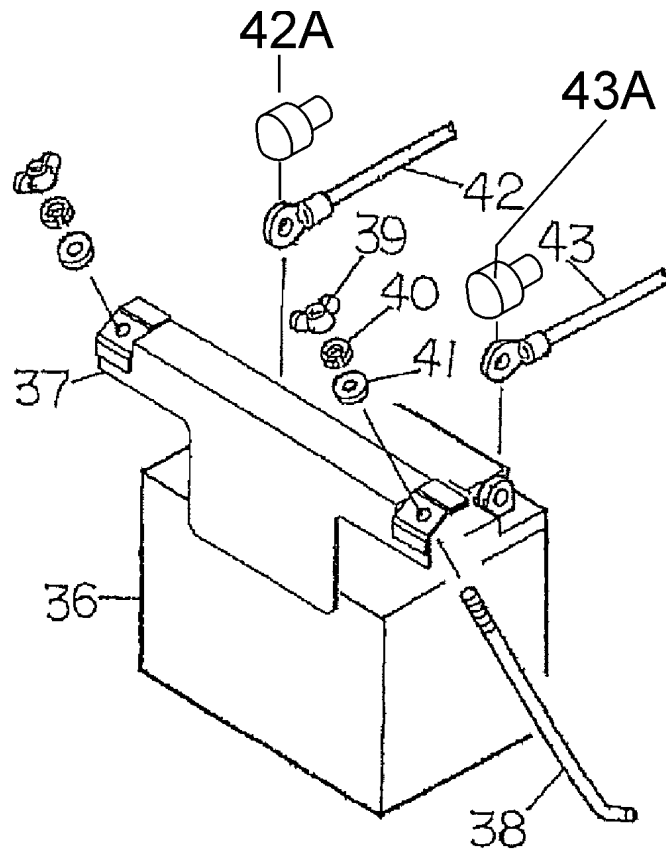
GAC6HR/GAC6HRS — PIPE FRAME ASSY. CONT'D.



GAC6HR/GAC6HRS — PIPE FRAME ASSY. CONT'D.

NO.	PART NO.	PART NAME	QTY.	REMARKS
36	0605507005	CANISTER (GAC6HR)	1.....	S/N 5878909 AND BELOW
36	0605507005	CANISTER (GAC6HRS)	1.....	S/N 5860862 AND BELOW
36	0605507010	CANISTER (GAC6HR)	1.....	S/N 5878910 AND ABOVE
36	0605507010	CANISTER (GAC6HRS)	1.....	S/N 5860863 AND ABOVE
37	Y0605513202	HOSE	1	
38	Y0605513210	HOSE	1	
39	0605513189	HOSE (GAC6HR)	1.....	S/N 5843760 AND BELOW
39	0605513189	HOSE (GAC6HRS)	1.....	S/N 5854994 AND BELOW
39	0605513219	HOSE (GAC6HR)	1.....	S/N 5843761 AND ABOVE
39	0605513219	HOSE (GAC6HRS)	1.....	S/N 5854995 AND ABOVE
40	0605515223	HOSE BAND (GAC6HR)	2.....	S/N 5843760 AND BELOW
40	0605515223	HOSE BAND (GAC6HRS)	2.....	S/N 5854944 AND BELOW
40	0605515223	HOSE BAND (GAC6HR)	4.....	S/N 5843761 AND ABOVE
40	0605515223	HOSE BAND (GAC6HRS)	4.....	S/N 5854945 AND ABOVE
41	A3261600103	BRACKET	1	
42	A3261600204	STOPPER	1	
43	011106015	HEX. HEAD BOLT	3.....	REPLACES P/N 0016906015
44	0605515170	HOSE BAND	1	
45	Y0605515229	HOSE BAND	1	

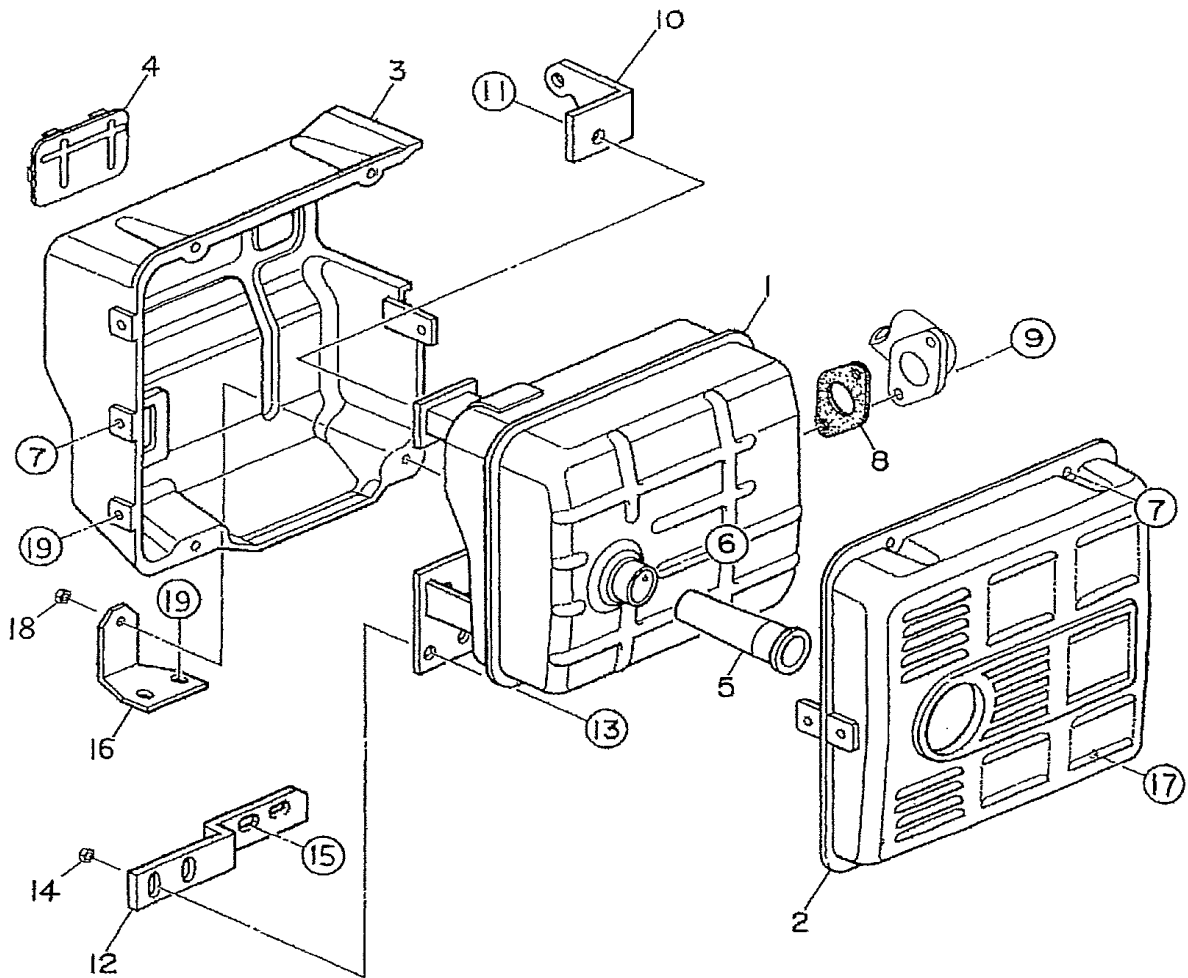
GAC6HRS — BATTERY ASSY.



GAC6HRS — BATTERY ASSY.

<u>NO.</u>	<u>PART NO.</u>	<u>PART NAME</u>	<u>QTY.</u>	<u>REMARKS</u>
36	0162212024	BATTERY, 201-149 12N24-3	1	
37	W7905458103	BATTERY BAND	1	
38	A5344200004	BATTERY BOLT	2	
39	0037806000	WING NUT	2	
40	0040006000	WASHER, LOCK	2	
41	952404470	WASHER, FLAT	2.....	REPLACES P/N 0041206000
42	A5347000504	BATTERY CABLE	1	
42A	D1343200604	TERMINAL CAP	1	
43	A5347000004	BATTERY CABLE	1	
43A	Y0602220643	TERMINAL CAP	1	

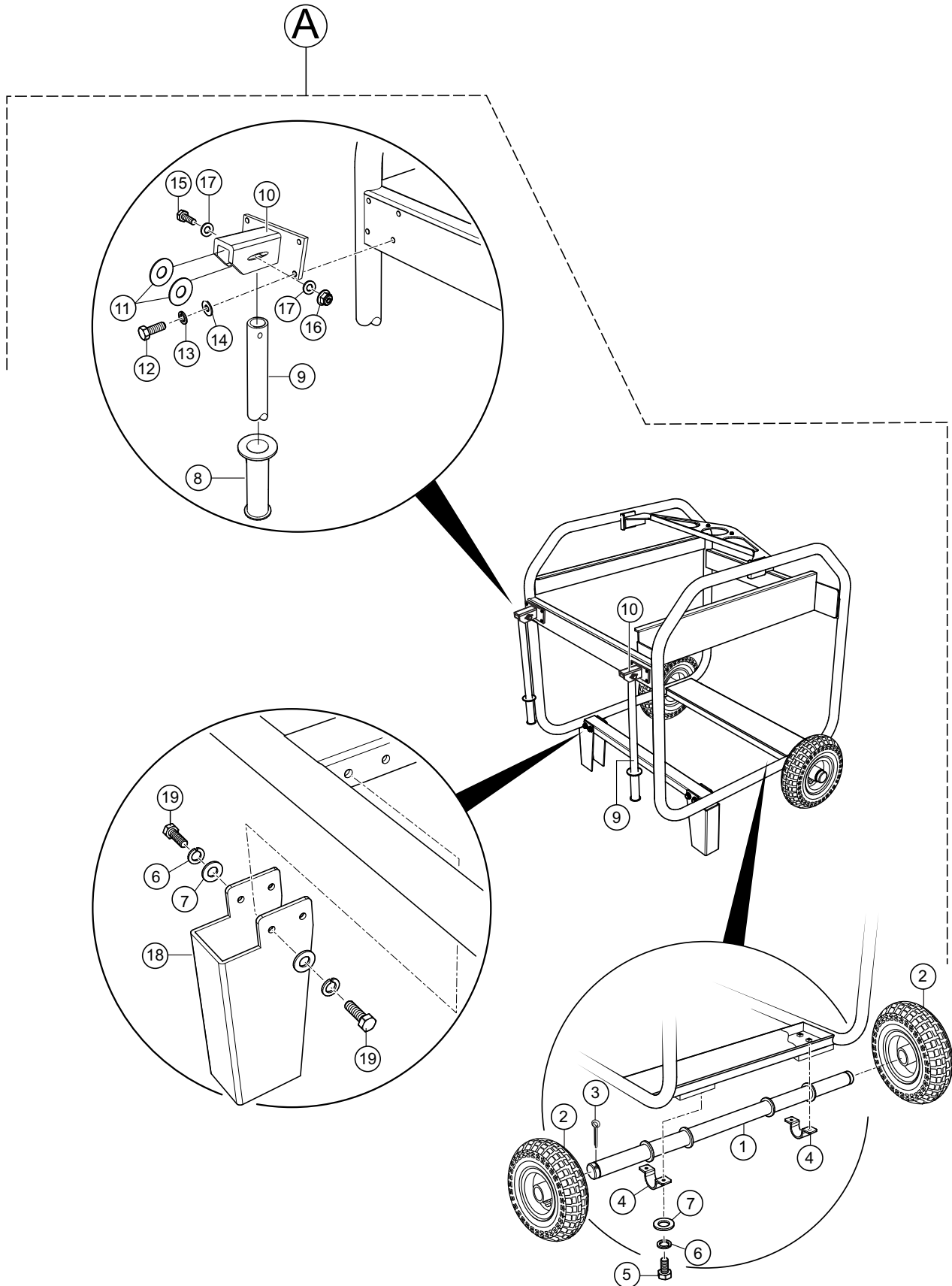
GAC6HR/GAC6HRS — MUFFLER ASSY.



GAC6HR/GAC6HRS — MUFFLER ASSY.

<u>NO.</u>	<u>PART NO.</u>	<u>PART NAME</u>	<u>QTY.</u>	<u>REMARKS</u>
1	7912310003	MUFFLER (GAC6HR).....	1.....	S/N 5878909 AND BELOW
1	7912310003	MUFFLER (GAC6HRS)	1	
1	7912310013	MUFFLER (GAC6HR).....	1.....	S/N 5878910 AND ABOVE
2	18320ZC2000	PROTECTOR	1	
3	18325ZB4000	PROTECTOR	1	
4	18329ZB4000	SEAL	2	
5	18355ZB4630	ARRESTOR, SPARK	1	
6	90002ZE2U91	TAPPING SCREW	1	
7	0105050616	HEX. HEAD BOLT.....	5.....	REPLACES P/N 0017106012
8	18333ZB4801	GASKET	1	
9	957010802000	HEX. HEAD BOLT	2	
10	7905461004	BRACKET	1	
11	011008020	HEX. HEAD BOLT.....	1.....	REPLACES P/N 0017108020
12	7905460004	BRACKET	1	
13	011208025	HEX. HEAD BOLT.....	2.....	REPLACES P/N 0017108025
14	020108060	HEX. NUT.....	2.....	REPLACES P/N 0207008000
15	011008020	HEX. HEAD BOLT.....	2.....	REPLACES P/N 0017108020
16	7905469004	BRACKET	1	
17	011206020	HEX. HEAD BOLT.....	1.....	REPLACES P/N 0017106020
18	020108060	HEX. NUT.....	1.....	REPLACES P/N 0207008000
19	0105050616	HEX. HEAD BOLT.....	4.....	REPLACES P/N 0017106012

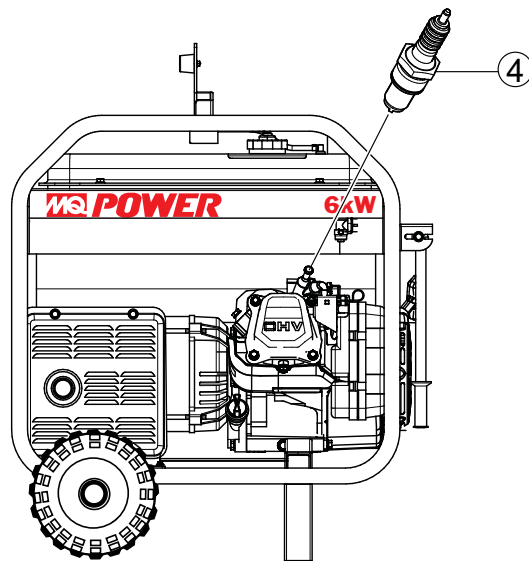
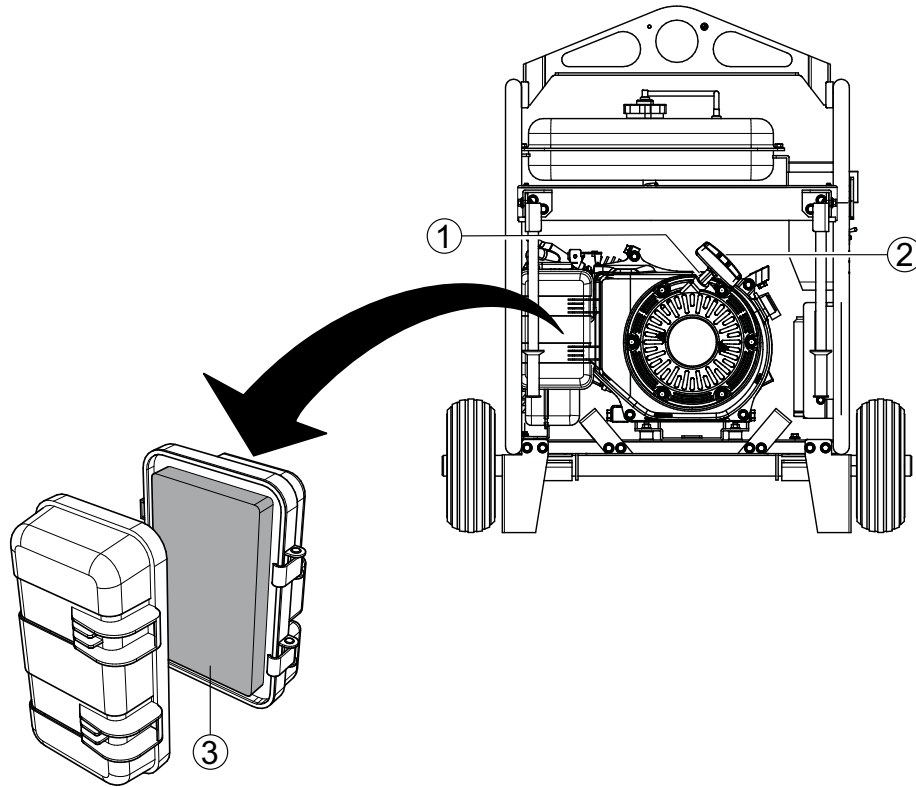
GAC6HR/HRS — WHEEL KIT ASSY.



GAC6HR/HRS — WHEEL KIT ASSY.

<u>NO.</u>	<u>PART NO.</u>	<u>PART NAME</u>	<u>QTY.</u>	<u>REMARKS</u>
A	WHEEL-KIT	WHEEL KIT COMPLETE.....	1.....	INCLUDES ITEMS W/%
1%	A3417400313	AXLE	1	
2%	Y0605802053	TIRE ASSY.	2	
3%	Y0050004035	COTTER PIN	2	
4%	A3417401804	BRACKET	2	
5%	011008020	HEX. HEAD BOLT	8.....	REPLACES P/N 0016908020
6%	42358	WASHER, LOCK	16	
7%	0401450080	WASHER, FLAT	16	
8%	W0805003103	GRIP	2	
9%	A3417401504	HANDLE	2	
10%	A3417401604	BRACKET, HANDLE	2	
11%	0601851116	WASHER, FLAT (PLASTIC)	4	
12%	0012308020	HEX. HEAD BOLT	8	
13%	42357	WASHER, LOCK	8	
14%	952404470	WASHER, FLAT	8	
15%	0010108050	HEX. HEAD BOLT	2	
16%	0207608000	FLANGE NUT	2	
17%	0401450080	WASHER, FLAT	2.....	REPLACES P/N 0041208000
18%	A3417400904	STAND	2	
19%	011106015	HEX. HEAD BOLT	8.....	REPLACES P/N 0016906015

ENGINE SERVICE PARTS



ENGINE SERVICE PARTS

<u>NO.</u>	<u>PART NO.</u>	<u>PART NAME</u>	<u>QTY.</u>	<u>REMARKS</u>
1	28462ZE3W01	ROPE, RECOIL STARTER	1	
2	28461Z5T305	GRIP, STARTER	1	
3	17211899000	ELEMENT, AIR CLEANER	1	
4	9807955876	SPARK PLUG, BPR5ES (NGK)	1	

PARTS MANUAL

HERE'S HOW TO GET HELP

PLEASE HAVE THE MODEL AND SERIAL
NUMBER ON-HAND WHEN CALLING

UNITED STATES

Multiquip Inc.

(310) 537- 3700
6141 Katella Avenue Suite 200
Cypress, CA 90630
E-MAIL: mq@multiquip.com
WEBSITE: www.multiquip.com

CANADA

Multiquip

(450) 625-2244
4110 Industriel Boul.
Laval, Quebec, Canada H7L 6V3
E-MAIL: infocanada@multiquip.com

UNITED KINGDOM

Multiquip (UK) Limited Head Office

0161 339 2223
Unit 2, Northpoint Industrial Estate,
Globe Lane,
Dukinfield, Cheshire SK16 4UJ
E-MAIL: sales@multiquip.co.uk

© COPYRIGHT 2021, MULTIQUIP INC.

Multiquip Inc, the MQ logo and the MQ Power logo are registered trademarks of Multiquip Inc. and may not be used, reproduced, or altered without written permission. All other trademarks are the property of their respective owners and used with permission.

This manual MUST accompany the equipment at all times. This manual is considered a permanent part of the equipment and should remain with the unit if resold.

The information and specifications included in this publication were in effect at the time of approval for printing. Illustrations, descriptions, references and technical data contained in this manual are for guidance only and may not be considered as binding. Multiquip Inc. reserves the right to discontinue or change specifications, design or the information published in this publication at any time without notice and without incurring any obligations.

Manufactured for
MQ Power Inc.
by
DENYO MANUFACTURING CO.

