

OPERATION MANUAL



GloBug SERIES

GB8LED (Pentapod with Lamp)

SERIAL NO. G3800001 AND ABOVE

GB8LEDB (Lamp Only)

SERIAL NO. G3900001 AND ABOVE

Revision #3 (07/02/24)



c

To find the latest revision of this publication or associated parts manual, visit our website at:

www.multiquip.com



THIS MANUAL MUST ACCOMPANY THE EQUIPMENT AT ALL TIMES.

Certificate



Certificate no.

CA 72150324 03

License Holder:

Light Boy Co., Ltd.
1-39-1 Yazaki-cho
Fuchu, Tokyo 183-0025
Japan

Manufacturing Plant:

LIGHT BOY FACTORY CO., LTD.
1-39-1 Yazaki-cho
Fuchu, Tokyo 183-0025
Japan

Test report no.: USA-SS 17044753 003

Client Reference: Satomi Kugimiya

Tested to: C22.2 NO. 12-1982+GI1+GI2+GI3+GI4+GI5 (R2013)
CAN/CSA-C22.2 NO. 250.13-14

Certified Product: Portable LED Worklights, GB8LED series

License Fee - Units

Addition:

Model Designation: GB8LED, GB8LEDB, GBC8LED, GBS8LED
Rated Voltage: AC 120V, 60Hz
Rated Power: 820W

Appendix: 1, 1-3

Licensed Test mark:



Date of Issue
(day/mo/yr)

05/04/2016

TUV Rheinland of North America, Inc., 12 Commerce Road, Newtown, CT 06470, Tel: (203) 426-0888 Fax: (203) 426-4009

GB8LED Lighting System

Safety Information 4-7
Specifications 8
Dimensions..... 9
Illumination Range..... 10
General Information..... 11
Components 12-13
Setup 14-16
Operation..... 17-19
Maintenance 20-23
Wiring Diagram..... 24
Troubleshooting..... 25-28

SAFETY INFORMATION

Do not operate or service the equipment before reading the entire manual. Safety precautions should be followed at all times when operating this equipment. Failure to read and understand the safety messages and operating instructions could result in injury to yourself and others.



SAFETY MESSAGES

The four safety messages shown below will inform you about potential hazards that could injure you or others. The safety messages specifically address the level of exposure to the operator and are preceded by one of four words: **DANGER**, **WARNING**, **CAUTION** or **NOTICE**.

SAFETY SYMBOLS

DANGER

Indicates a hazardous situation which, if not avoided, **WILL** result in **DEATH** or **SERIOUS INJURY**.

WARNING

Indicates a hazardous situation which, if not avoided, **COULD** result in **DEATH** or **SERIOUS INJURY**.



CAUTION

Indicates a hazardous situation which, if not avoided, **COULD** result in **MINOR** or **MODERATE INJURY**.

NOTICE

Addresses practices not related to personal injury.

Potential hazards associated with the operation of this equipment will be referenced with hazard symbols which may appear throughout this manual in conjunction with safety messages.

Symbol	Safety Hazard
	Burn hazards
	Electric shock hazards

SAFETY INFORMATION

GENERAL SAFETY

CAUTION

- **NEVER** operate this equipment without proper protective clothing, shatterproof glasses, respiratory protection, hearing protection, steel-toed boots and other protective devices required by the job or city and state regulations.



- **NEVER** operate this equipment when not feeling well due to fatigue, illness or when under medication.



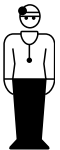
- **NEVER** operate this equipment under the influence of drugs or alcohol.



- **ALWAYS** check the equipment for loosened threads or bolts before starting.
- **DO NOT** use the equipment for any purpose other than its intended purposes or applications.

NOTICE

- This equipment should only be operated by trained and qualified personnel 18 years of age and older.
- Whenever necessary, replace nameplate, operation and safety decals when they become difficult read.
- Manufacturer does not assume responsibility for any accident due to equipment modifications. Unauthorized equipment modification will void all warranties.
- **NEVER** use accessories or attachments that are not recommended by Multiquip for this equipment. Damage to the equipment and/or injury to user may result.
- **ALWAYS** know the location of the nearest **fire extinguisher**.
- **ALWAYS** know the location of the nearest **first aid kit**.
- **ALWAYS** know the location of the nearest phone or **keep a phone on the job site**. Also, know the phone numbers of the nearest **ambulance, doctor and fire department**. This information will be invaluable in the case of an emergency.



SAFETY INFORMATION

LIGHTING SYSTEM SAFETY

WARNING

- **NEVER** disconnect any **emergency or safety devices**. These devices are intended for operator safety. Disconnection of these devices can cause **severe injury, bodily harm or even death**. Disconnection of any of these devices will void all warranties.

CAUTION

- **NEVER** attempt service on a running machine.

NOTICE

- To prevent the lighting system from overturning, **NEVER** use in winds that exceed 25 mph (11 m/s).
- The lighting system should only be used in temperatures between 14° to 104°F (10° to 40° C). Failure to comply with these operating parameters could cause the lamp to malfunction and shorten the ballast life.
- **ALWAYS** keep the lighting system in proper running condition.
- Fix damage to lighting system and replace any broken parts immediately.
- **ALWAYS** store equipment properly when it is not being used. Equipment should be stored in a clean, dry location out of the reach of children and unauthorized personnel.

NOTICE

- **NEVER** leave any grease or oil residue on lamp surface when replacing or removing lamp. This can create hot spots, reducing the service life of the lamp.
- **ALWAYS** make sure lamp surface is clean and dry.
- **ALWAYS** replace with MQ recommended type lamp. See parts section of this manual.
- If applicable, **ALWAYS** make sure the lamp guard is installed correctly. **NEVER** deform the lamp guard.
- **NEVER** unplug the lamp's AC power cable during operation.
- **ALWAYS** have a **trained technician** to install and remove lamp or replace any damaged fixture wiring.

TRANSPORTING SAFETY

NOTICE

- When transporting the pentapod lighting system, if applicable, always place in **stow position** and place pentapod in its carrying case.
- **ALWAYS** remove balloon/lamp assembly from the mast when transporting lighting system. This will prevent damage to the bulb due to vibration.
- **NEVER** leave the balloon/lamp exposed during transport. Exposure to excess wind or rain could damage the balloon's nylon cover.
- **ALWAYS** place balloon inside its protective cover during transport. Be sure the cover is secured tightly around the balloon/lamp assembly.

SAFETY INFORMATION

BALLOON SAFETY

CAUTION

- **ALWAYS** keep the balloon away from sharp objects and excessive amounts of heat.

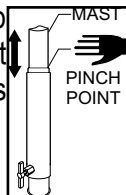
NOTICE

- To prevent balloon deformation, **NEVER** use lighting system in strong winds.
- **DO NOT** place the balloon inside its protective cover until the lamp has had a sufficient amount of time to cool down. This will prevent the balloon's nylon cover from being burned (touching the lamp surface).
- **ALWAYS** place the balloon inside its protective cover after each use. This will prolong the life of the balloon material, keeping it protected from harsh environmental elements.
- Replace balloon immediately if damaged. A damaged balloon will not inflate properly, and may become more damaged by touching the hot lamp surface.
- **DO NOT** use excessive force when zipping and unzipping the balloon. Be gentle with the zipper mechanism. If the zipper is broken, the balloon will become unusable.

MAST SAFETY

CAUTION

- When raising or lowering the mast, keep hands and fingers clear of the various mast sections, this will prevent hands and fingers from getting pinched.
- **NEVER** attach anything to the mast.
- **ALWAYS** lower the mast when not in use, or if high winds or electrical storms are expected in the area.



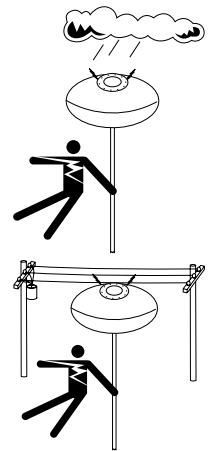
ELECTRICAL SAFETY

DANGER

- Lighting system is equipped with a ground pin on the power plug. For your protection, **ALWAYS** complete the grounding path. **NEVER** insert the AC power plug into a 2-prong receptacle to operate lighting system.

When applying power to the lighting system, **ALWAYS** connect the AC power plug to a 3-prong receptacle that is grounded. The possibility exists of **electrical shock, electrocution and even death** if the lighting system is not grounded.

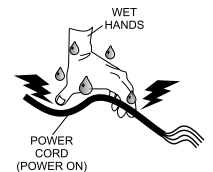
- **NEVER** operate lighting system or handle any electrical equipment while standing in water, while barefoot, while hands are wet or in the rain. A dangerous **electrical shock** could occur, causing **severe bodily harm or even death**.
- **ALWAYS** make sure the area above the lighting system is open and clear of overhead power lines and other obstructions. Contact with overhead power lines or other obstructions could result in equipment damage, **electrical shock, electrocution and even death**.



Power Cord/Cable Safety

DANGER

- **NEVER** let power cords or cables **lay in water**.
- **NEVER** use **damaged** or **worn** cables or cords. Inspect for cuts in the insulation
- **NEVER** grab or touch a live power cord or cable with wet hands. The possibility exists of **electrical shock, electrocution or death**.
- Make sure power cables are securely connected. Incorrect connections may cause **electrical shock** and damage to the lighting system.



NOTICE

- **ALWAYS** make certain that proper power or extension cord has been selected for the job. See Cable Selection

SPECIFICATIONS

Table 1. Specifications		
Globug Lighting System		
Model	GB8LED	
Input Voltage	120 VAC	
Frequency	50 Hz/ 60 Hz	
Max. Current	6.9 Amps (120V @800 W)	
Weight	Lamp Fixture	24.70 lb (11.2 kg)
	Mast	4.85 lb (2.2 kg)
	Pentapod	18.70 lb (8.5 kg)
	Storage Case	1.54 lb (0.7 kg)
	Cable	1.54 lb (0.7 kg)
	Total	51.33 lb (23.3 kg)
Appropriate Generator	850 W and above	
Lamp		
Lamp Type	LED	
Dimming Control	3 stages: 800W / 600W / 400W	
Total Luminous Flux (lm)	110000 ±7% @800W	
	68000 ±7% @600W	
	53000 ±7% @400W	
Operation_Enabled Temperature Range	14 to 104°F (-10 to 40 °C)	
Mast		
Number of Stages	3 (with gas assist)	
Maximum Height (Standard)	11.25 feet (3.42 meters)	

DIMENSIONS

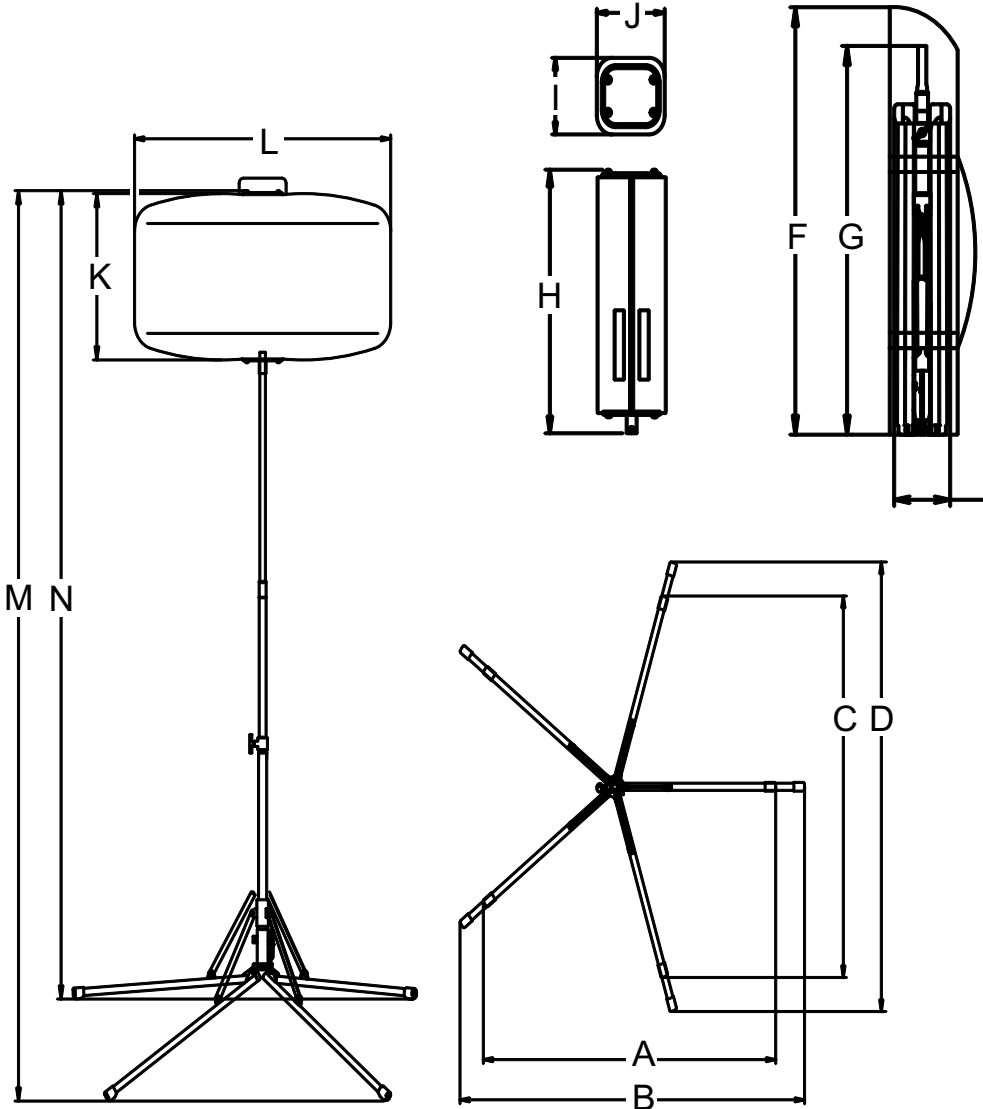
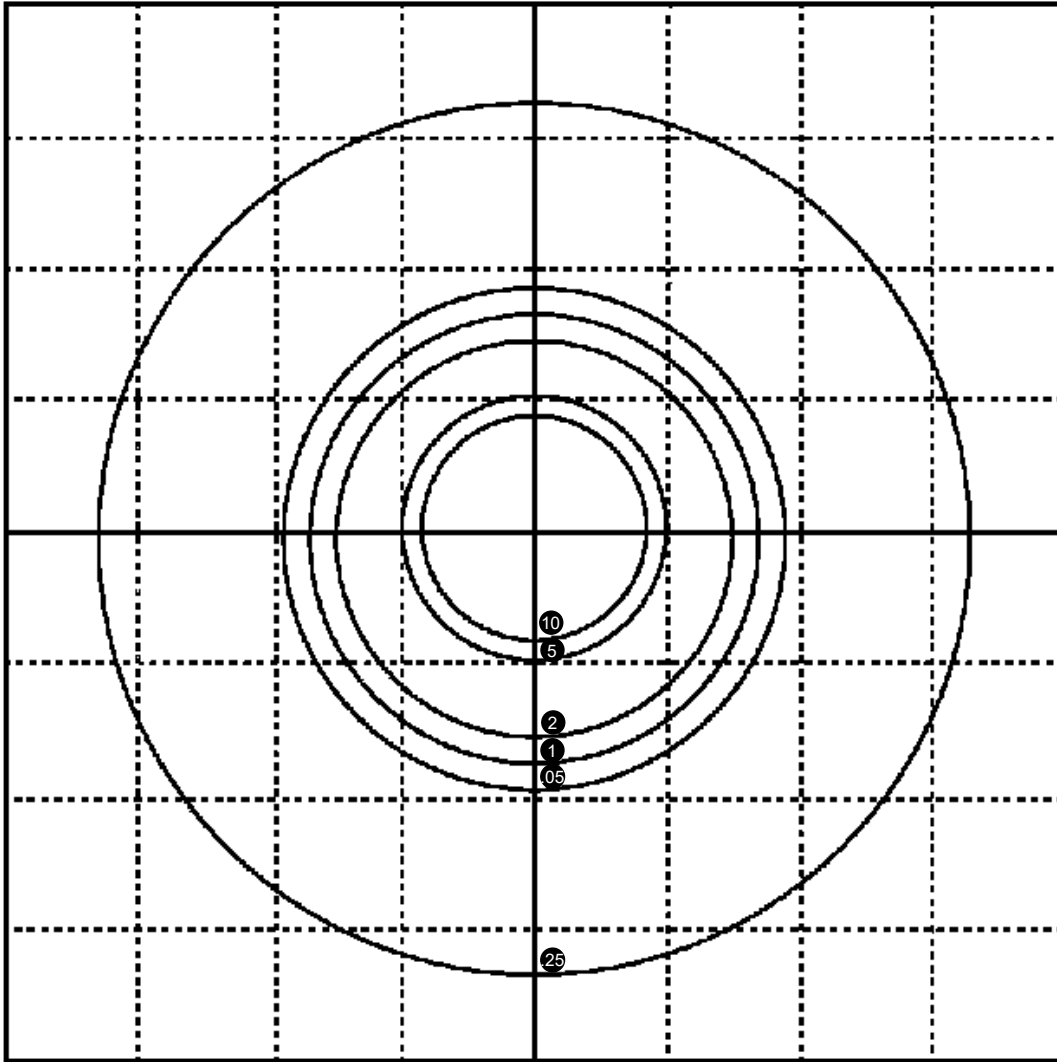


Figure 1. Dimensions (GB8LED)

Table 2. Dimensions			
Reference Letter	Dimension in. (mm.)	Reference Letter	Dimension in. (mm.)
A	Upper Position - 54.0 (1,372)	H	27.0 (690)
B	Lower Position - 64.0 (1,615)	I	8.0 (200)
C	Upper Position - 57.0 (1,440)	J	9.0 (220)
D	Lower Position - 67.0 (1,700)	K	25.0 (650)
E	7.5 (190)	L	47 in. (1200)
F	44.1 (1,120)	M	82.9 - 135.2 in. (2106 - 3435)
G	40.0 (1,016)	N	68 - 120 in. (1727 - 3048)

ILLUMINATION RANGE



1 Grid = 20 ft. (6 meters)

Illuminance (Footcandle)	10	5	2	1	0.5	0.25
Diameter Ft. (Meters)	34 (10)	40 (12)	60 (18)	68 (21)	76 (23)	132 (40)

Figure 2. Illumination Range (Foot Candles)

GENERAL INFORMATION

The Multiquip GloBug GB8LED is a general purpose, portable, glare-free lighting systems Typical applications for these types of lighting systems include construction sites, emergency road crews and backyard parties.

LIGHTING

This GloBug lighting system is comprised of LED lamps in a shock-resistant, waterproof LED assembly. The LED assembly has an output of 110,000 lumens @800W. The LEDs have a long operating life of up to 40,000 hours. The lighting system has a 3-stage dimming control (400W, 600W and 800W).

SETUP

The GB8LED lighting system can be set up quickly and easily. Pentapod legs can be deployed in one quick easy step and can be adjusted to two different heights.

In addition the unit is equipped with a gas-assist mast lowering system. This system allows the mast to be retracted slowly so that the mast will not fall rapidly when released. This feature reduces the amount of vibration or shock to the lamp.

TRANSPORT

The GB8LED lighting system can be transported (Figure 3) quite easily in two carrying cases.

For ease of service or transport, the lamp assembly is equipped with a quick-disconnect connector that allows the lamp fixture to be removed quickly. This feature is extremely useful during transport of the lighting system. It is always best to remove the lamp and pack it safely so it will not be damaged.

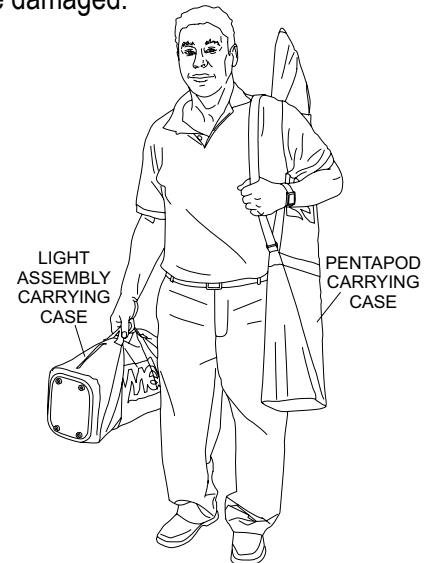


Figure 3. GB8LED Transporting

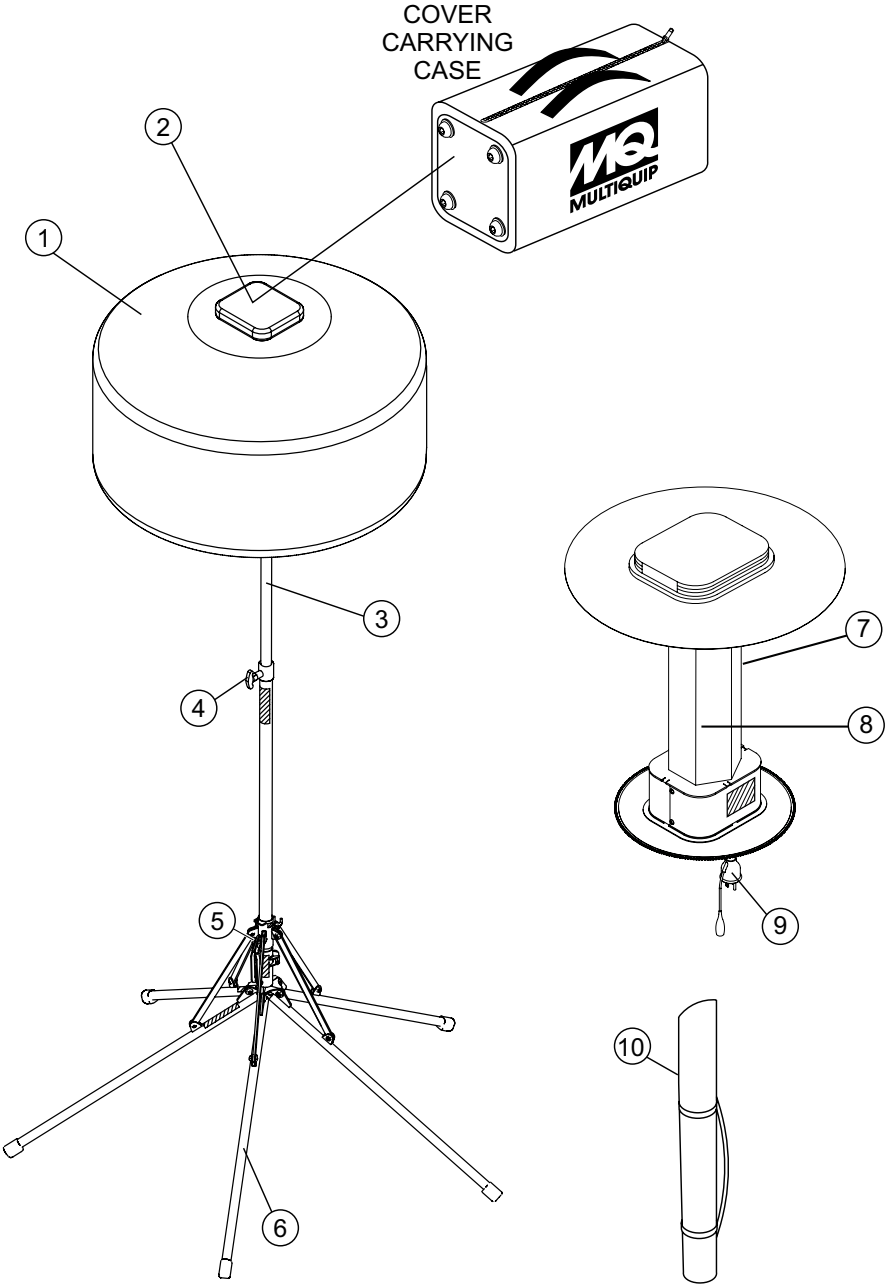


Figure 4. Major Components

COMPONENTS

Figure 4 shows the location of the components for the GB8LED lighting system. The function of each component is described below:

1. **Balloon** — This balloon is made of heat-resistant polyester, with a diameter of 43 inches (1092 mm).
2. **Balloon Cover/Carrying Case** — When zipped, this protective cover acts like a carrying case. The complete lamp assembly is enclosed within the cover-carrying case. Allow a sufficient amount of time for the lamp to cool down before covering balloon. The possibility exists of the balloon getting burned.
3. **Mast** — Three stage gas-assist mast. Maximum mast height is 11.25 ft. (3.42 meters). When raising the mast, always be on the lookout for overhead obstructions.
4. **T-Handle Bolt Lock** — Always tighten this lock to hold the lamp/balloon securely in place before raising mast.
5. **Weight Support Hook** — To add additional weight to the tripod and make the tripod more stable in windy conditions. Place a sandbag or similar weight onto this hook.
6. **Pentapod** — Unbuckle velcro strap securing pentapod legs (5), push down on any leg until all legs are fully deployed. To place legs in the stowed position, pull upward on velcro strap while pushing down on pentapod pole. Pull all legs upward and secure with velcro strap.
7. **Lamp Guard** — This guard (cage) protects the lamp from being hit by objects.
8. **Lamp** — Comprised of LED lamps. The lamps have three stages of brightness: 800W, 600W, and 400W.
9. **AC Power Cable** — Connect this cable to a 120 VAC, 60 Hz power source.
10. **Pentapod Carrying Case** — Use this case when transporting of the tripod is required. **ALWAYS** store tripod in this carrying case when not in use.

PENTAPOD DEPLOYMENT

1. Place the pentapod on a firm level surface so that it will not slide or turn over. Make sure there is enough space around the unit for the tripod legs to be deployed.
2. Remove pentapod from its carrying case. The pentapod legs are secured by a black velcro strap (Figure 5). Squeeze both tabs on each side of buckle to unlock strap and allow tripod legs (Figure 6) to be deployed.

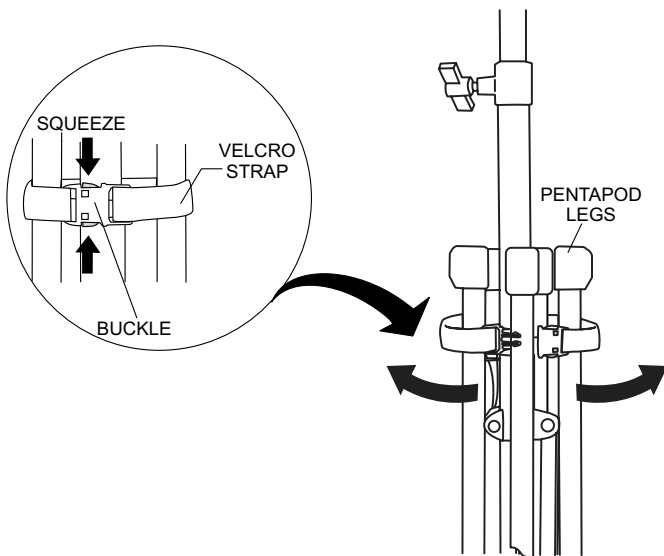


Figure 5. Velcro Strap (Open)

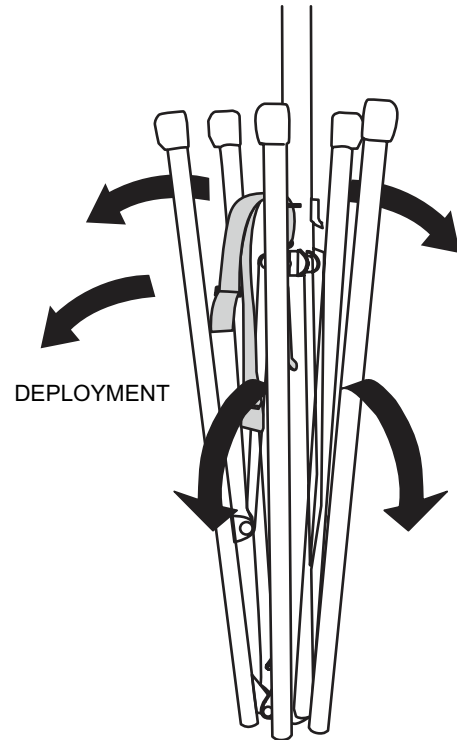
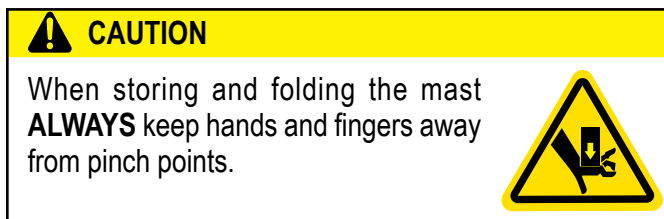


Figure 6. Pentapod Deployment

3. Next, pull upward on the mast and let the tripod legs deploy. Once the tripod legs have been fully deployed make sure the legs are locked by securing the latch.

The latch (Figure 7) has two positions, upper and lower. Placing the latch in the upper position will provide 1 ft. (305 mm) more height.

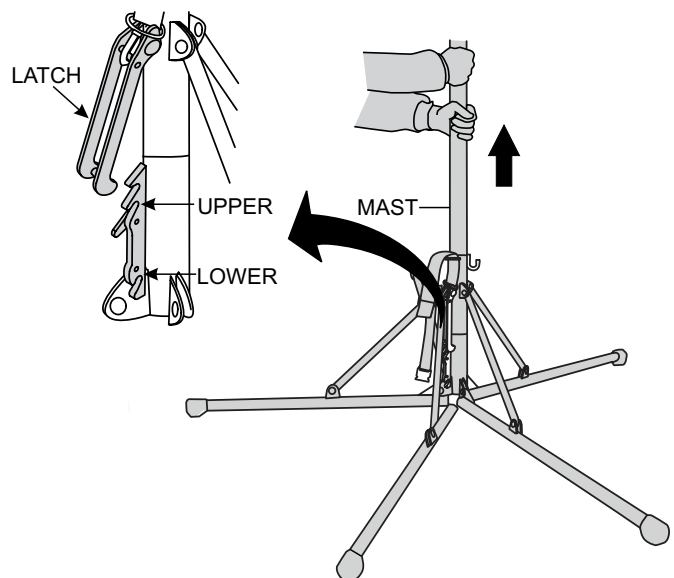


Figure 7. Securing the Tripod

BALLOON ASSEMBLY PLACEMENT

1. Place balloon assembly (Figure 8) onto mast and tighten Upper T-handle.

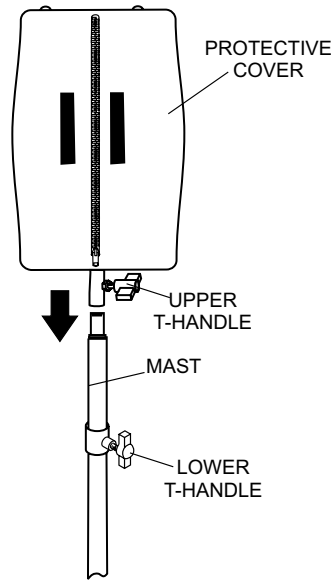


Figure 8. Light Assembly Placement

2. Unsnap the three buttons on the bottom of the balloon. Expose the balloon by pulling down on the velcro tab and unzip the protective cover as shown in Figure 9. Also remove the AC power cord at this time.

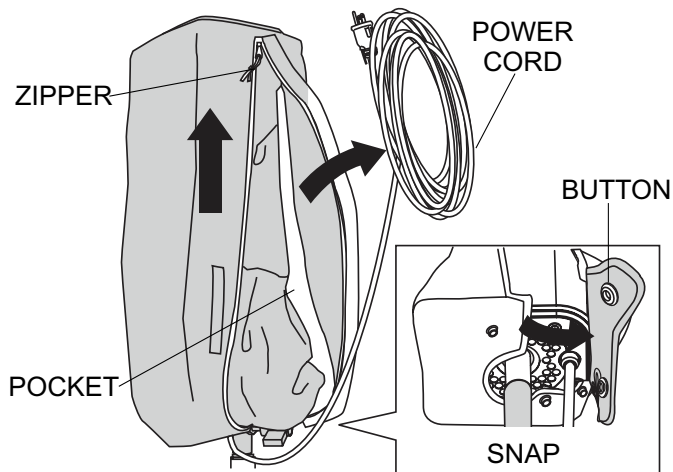


Figure 9. Removing Balloon/AC Power Cord

3. Next, fold the protective cover (Figure 10) into itself and zip.

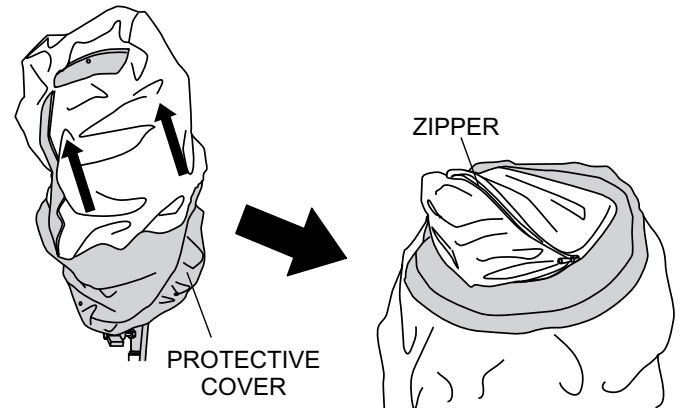


Figure 10. Folding Protective Cover

4. Attach the S-type hook (Figure 11) on the AC power cable onto the washer-eyelet located on the bottom plate of the light assembly.

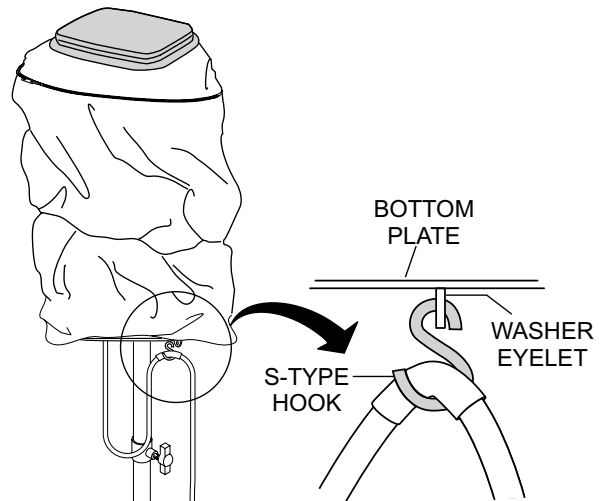
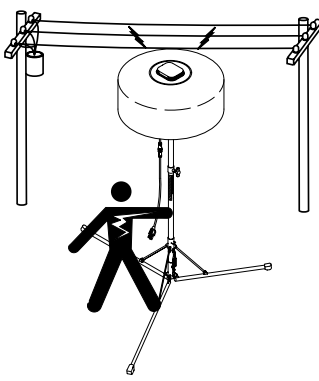


Figure 11. Securing Power Cord

RAISING THE MAST

Before raising the mast, make sure the upper T-handle bolt lock (Figure 12) is securely tightened. This will prevent the balloon/lamp assembly from falling off. In addition make sure that the lamp power cable is connected to the mating end of the 11 ft (3.35 meters) power source cable.

DANGER




ALWAYS make sure the area above the lighting system is open and clear of overhead power lines and other obstructions. The mast extends in excess of 11 ft. (3.35 meters) when an optional extension is used. Contact with overhead power lines or other obstructions could result in equipment damage, serious injury or death!

CAUTION

When raising mast, **ALWAYS** be on the lookout for overhead obstructions such as high voltage power lines. The possibility exists of electrocution, even death! if the lighting system comes in contact with high voltage power lines.

DANGER



When raising mast, **ALWAYS** be on the lookout for overhead obstructions such as high voltage power lines. The possibility exists of electrocution, even death! if the lighting system comes in contact with high voltage power lines.

5. To improve stability and to prevent tipping of the light unit, place sand bags or similar type weight over the pentapod legs or weight hook as shown in Figure 12.

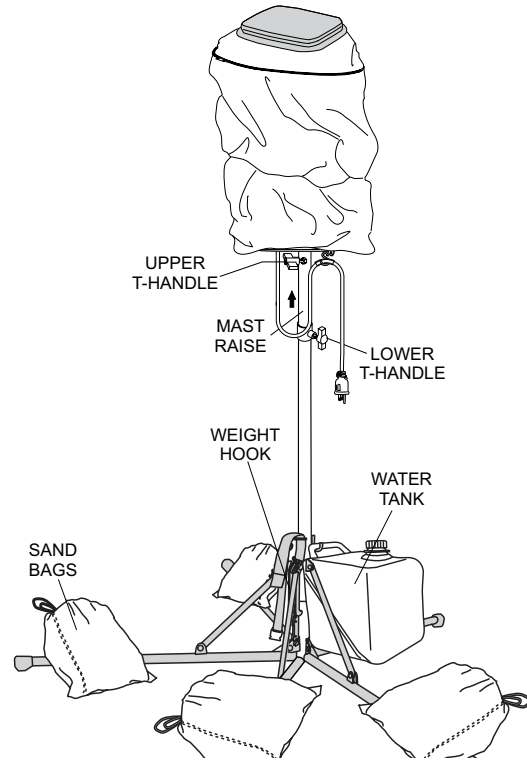


Figure 12. Sand Bags

6. Tighten lower T-handle (Figure 13) securely and raise third mast to desired height.
7. Next, loosen lower T-handle and raise second mast to desired height. Once desired height has been achieved tighten lower T-handle.

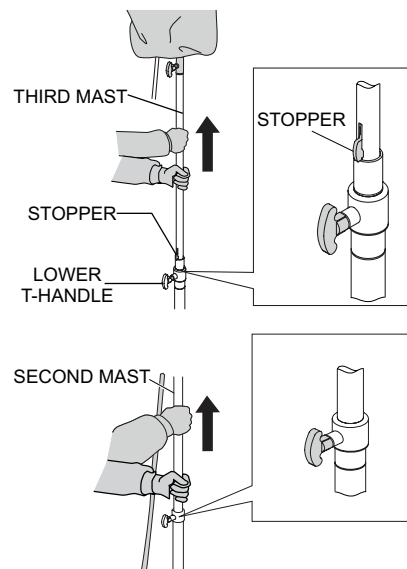


Figure 13. Raising The Mast

APPLYING POWER

1. Connect the AC power cord to a 120 VAC external power source or to a 120 VAC receptacle on a generator (Figure 14).

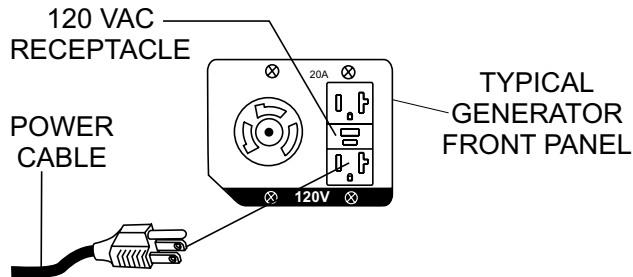


Figure 14. Connecting to Power Source

2. Start the generator as indicated in the generator manual.
3. Turn on the power of the generator. The balloon will start to inflate and the lamp will turn on at 600W.

DIMMING THE LAMP

1. Press the dimmer switch to control the brightness of the lamp (Figure 15). The lamp can be turned off or set to 400W, 600W or 800W. The corresponding LED will light red when selected (Figure 16).

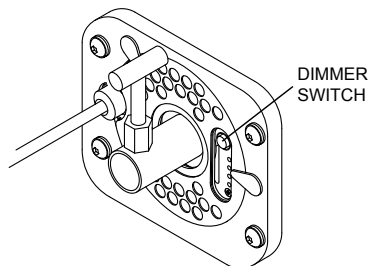


Figure 15. Dimmer Switch

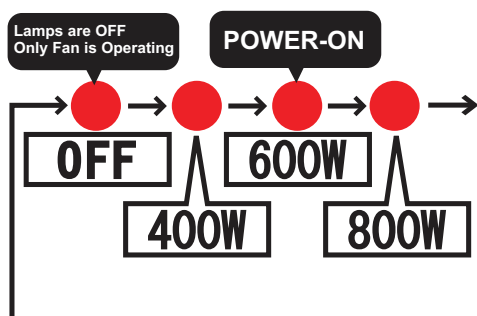


Figure 16. Brightness LED Indicators

2. Zip up the bottom of the balloon completely after use of the dimmer switch.

SILENT MODE

Noise coming from the unit during operation can be eliminated.

1. Press and hold the dimmer switch (Figure 15) for 2 seconds. The blue LED in the center of the switch will flash when in silent mode.
2. To switch back to normal mode, press and hold the dimmer switch for 3 seconds. The blue LED will stop flashing.

NOTICE

The brightness of the lamp can still be adjusted when in silent mode.

When unit is restarted, it will revert to normal mode even if silent mode was selected prior to shutdown.

SHUTDOWN

1. Turn off the power switch of the generator. The balloon should start to deflate and the lamp will turn off.
2. Disconnect the AC power cord from the generator.

STORAGE

1. Loosen the lower T-handle by turning handle counterclockwise (Figure 17). Push down on mast until mast is fully inserted into mast housing. Tighten T-handle fully.

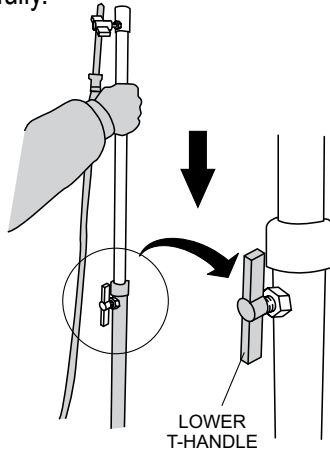


Figure 17. Lowering the Mast

2. Remove the S-type hook (Figure 18) on the AC power cord from the washer-eyellet located on the bottom plate of the light assembly.

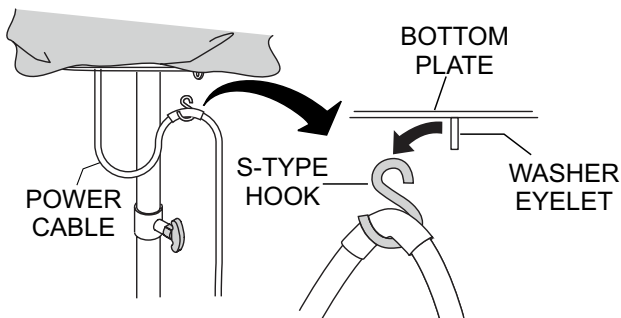


Figure 18. removing Power Cable

3. Unzip the zipper on the protective cover (Figure 19) and roll down the protective cover over the balloon cloth.

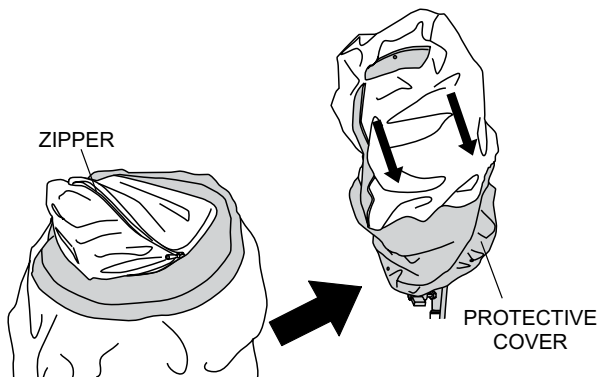


Figure 19. Unzipping the Protective Cover

4. Store the power cable inside the pocket of the protective cover (Figure 20). Zip up the protective cover and snap the buttons on the bottom of the protective cover.

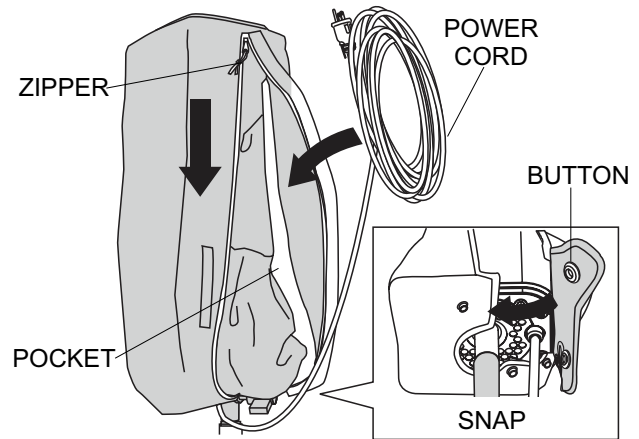


Figure 20. Zipping the Protective Cover

5. Loosen upper T-handle by turning counterclockwise and lift lamp assembly from mast.
6. Store lamp assembly enclosed with its protective cover (Figure 21) in a safe location where it will not be damaged.



Figure 21. Storing Lamp Assembly

7. To retract pentapod legs (Figure 22) and place in the stow position, grab hold of the mast while pulling up on the velcro strap (releases latch). Continue pulling upward on the velcro strap until the pentapod legs are fully retracted and are in the stow position.

OPERATION

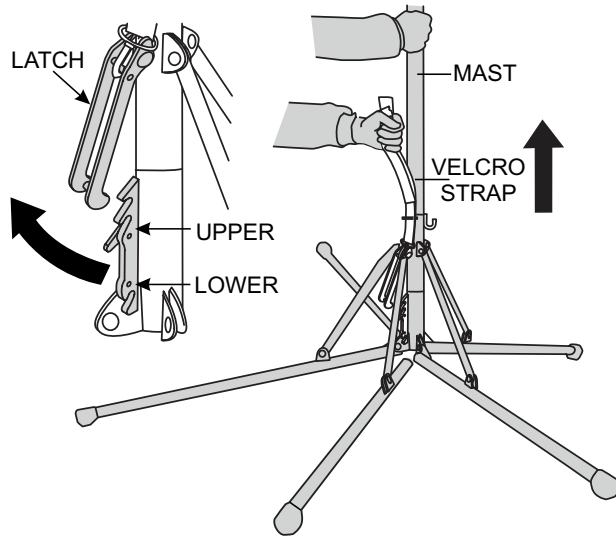


Figure 22. Retracting Pentapod Legs

8. Continue pulling upward (Figure 23) on the velcro strap until all 5 pentapod legs are fully retracted and are in the stow position.

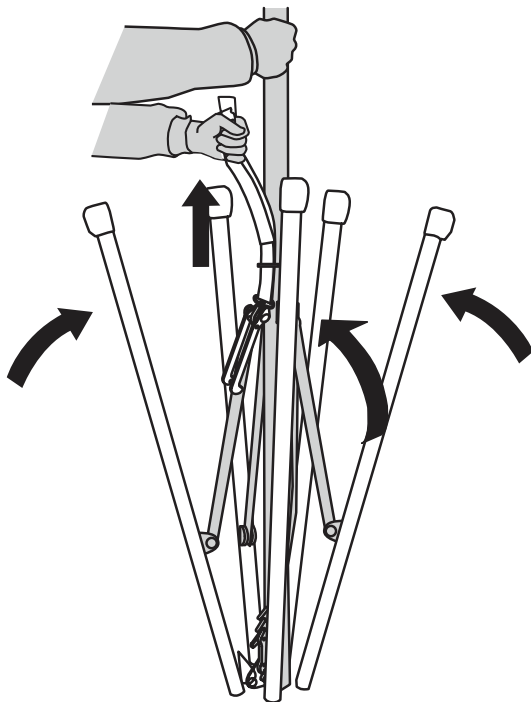


Figure 23. Pentapod Legs Stow Position

9. Once pentapod legs are in the stowed position, place velcro strap (Figure 24) around all 5 legs. Secure legs by inserting the male and female connector ends of the strap into each other.

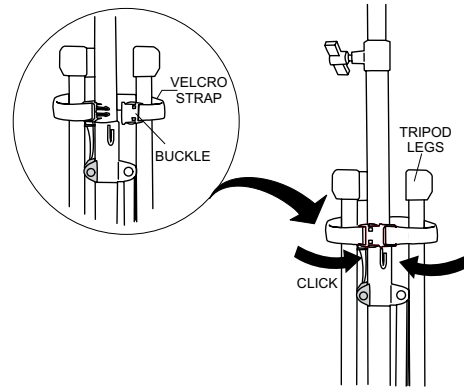


Figure 24. Velcro Strap (Closed)

10. Place pentapod (Figure 25) inside protective carrying case.

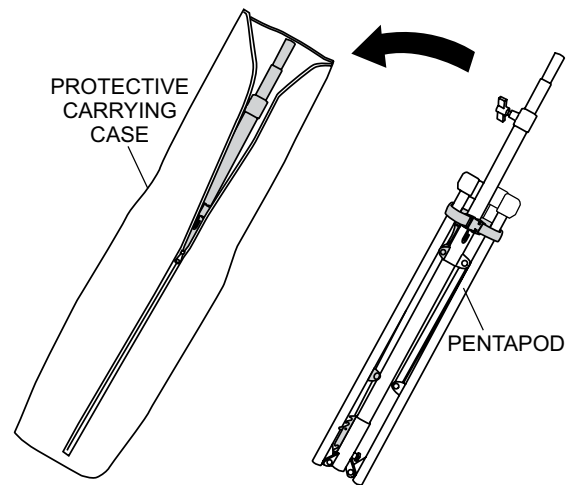


Figure 25. Carrying Case

REPLACING THE LAMP

NOTICE

Contact Multiquip Technical Support Department for assistance in replacing LED lamps.

REPLACING BALLOON ENVELOPE

1. Unzip the zipper (Figure 26) at the top and bottom of the balloon envelope (cover).

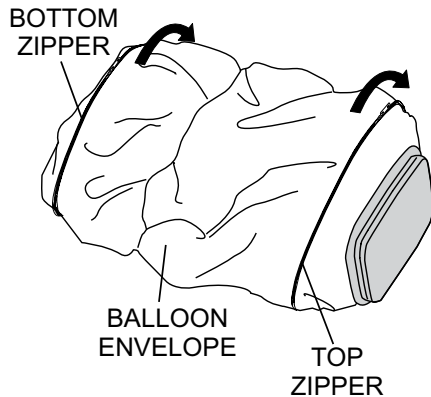


Figure 26. Unzipping the Balloon Envelope

2. Slide the old or worn balloon envelope (Figure 27) over the top of the lamp guard assembly.

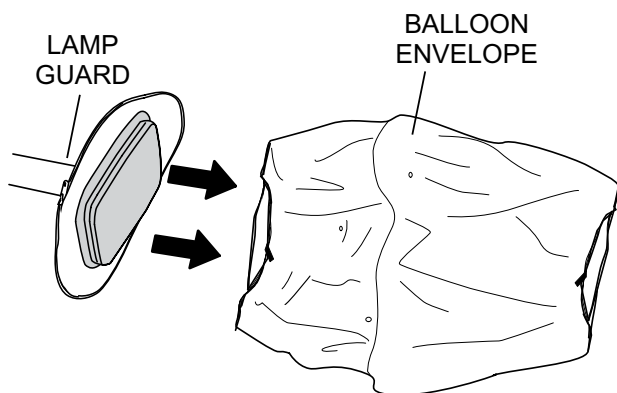


Figure 27. Removing the Balloon Envelope

3. Slide the new balloon (Figure 28) envelope over the top of the lamp guard assembly.

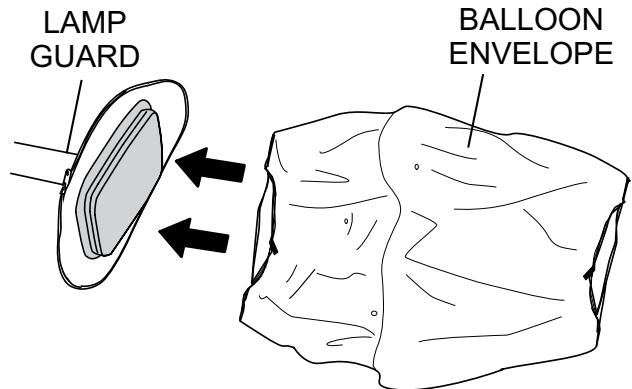


Figure 28. Installing New Balloon Envelope

4. Zip up the zipper (Figure 29) at the top and bottom of the balloon envelope (cover).

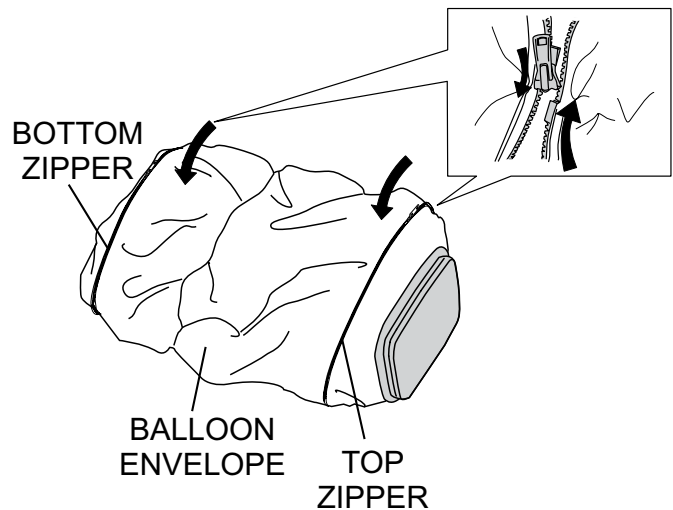


Figure 29. Zipping the Balloon Envelope

FILTER REPLACEMENT

1. Remove the balloon as described in the STORAGE section.
2. Turn the balloon/lamp assembly upside down to access the filter. See Figure 30.

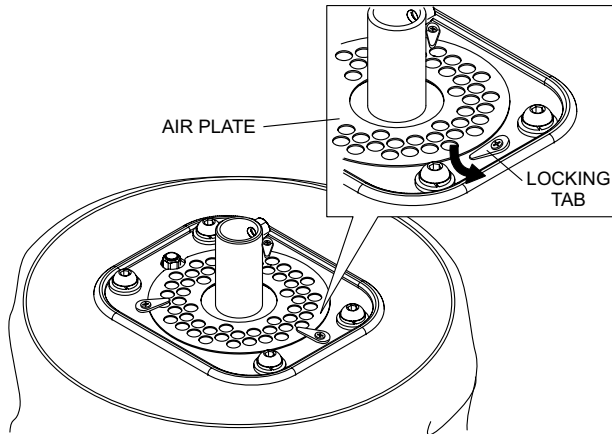


Figure 30. Accessing Filter

3. Turn the three locking tabs outwards to release the air plate. See Figure 30.
4. Remove the air plate and filter. See Figure 31.

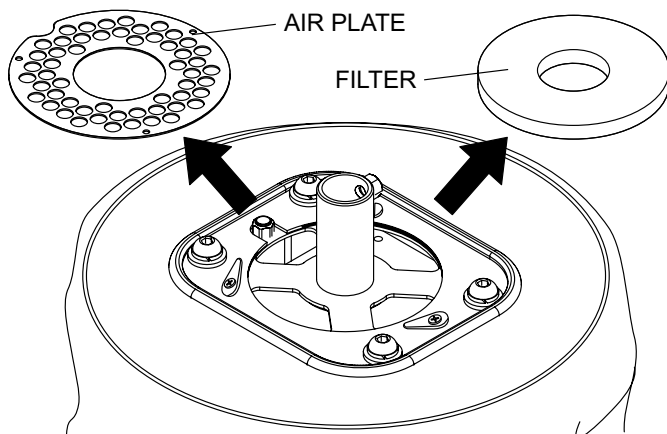


Figure 31. Filter Removal

5. Install a new filter and reinstall the air plate.

6. Turn the three locking tabs inwards to lock the air plate in place. See Figure 32.

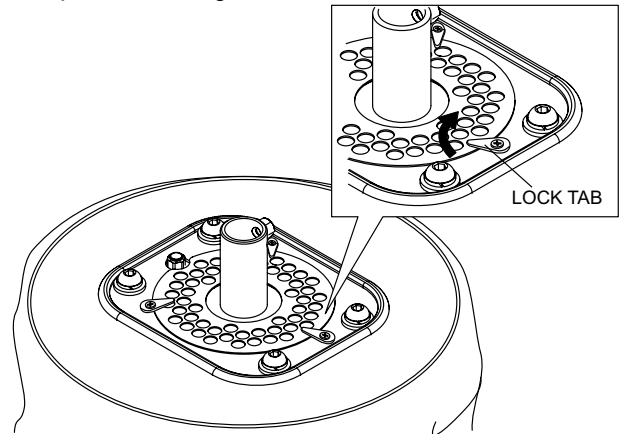


Figure 32. Locking Air Plate

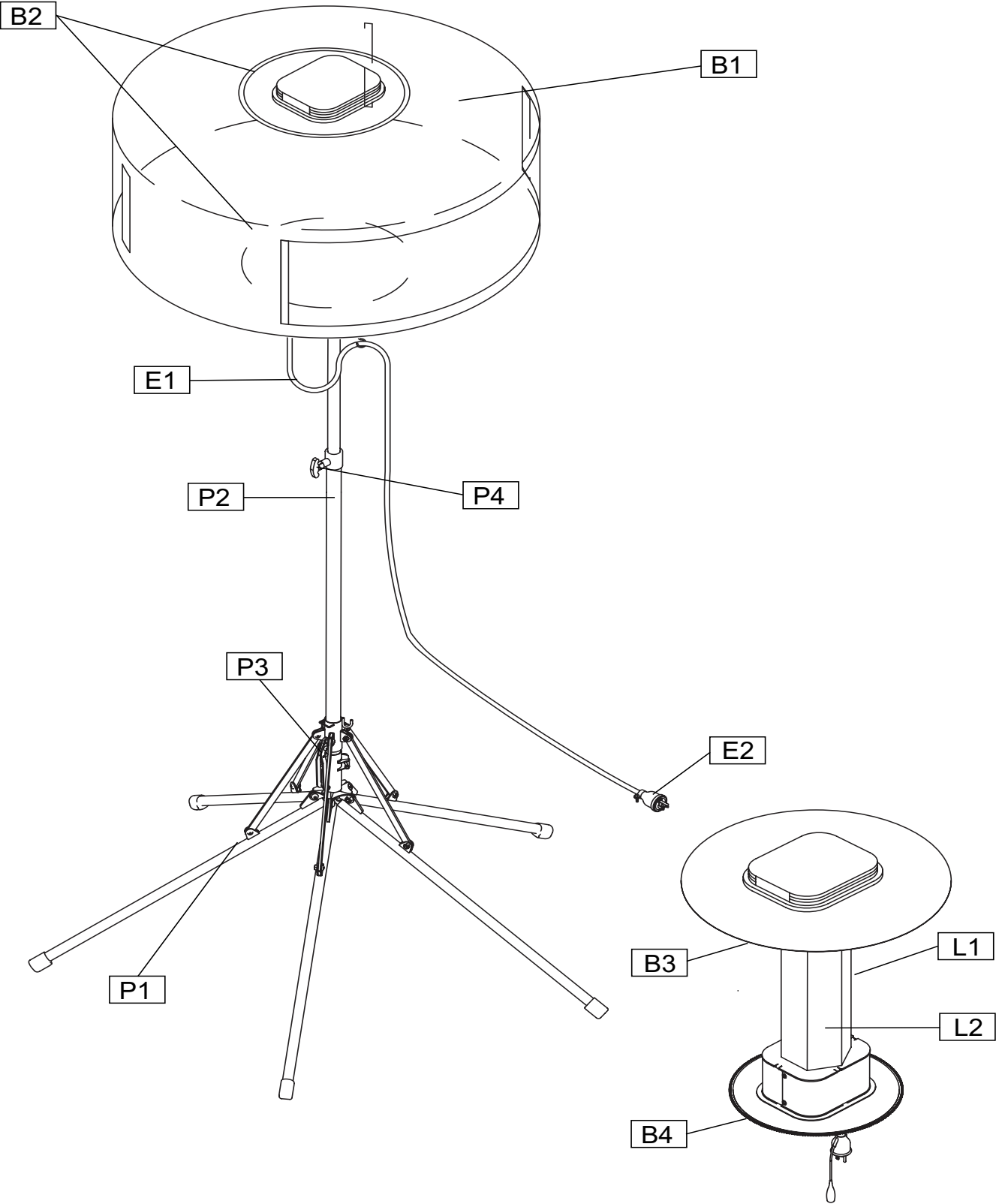


Figure 33. Maintenance Check Points

MAINTENANCE

For a prolonged life cycle an extended quality follow the recommended GloBug lighting system service guidelines as referenced in Figure 33 and Table 3.

Table 3. Periodic Check and Maintenance					
Figure		Part	Check Item	Solution	Symbol
Lamp	L1	Lamp Guard	Dirty, rusty or damaged?	Clean/Replace	◆
	L2	LED Lamp	Defective or broken?	Replace	●
Balloon	B1	Balloon (Envelope)	Ripped or dirty?	Replace	●
	B2	Zipper	Broken?	Replace	●
	B3	Fan Motor (Blower)	Not working properly?	Replace	■
	B4	T-Handle bolt (Balloon)	Broken?	Replace	●
Electric	E1	Power Cable	Defective or worn cable?	Replace.	●
	E2	Plug	Damaged?	Replace	▲
Pentapod	P1	Pentapod	Damaged or not working properly?	Replace	▲
	P2	Mast	Damaged or not working properly?	Replace	▲
	P3	Hook	Damaged?	Replace	●
	P4	T-Handle Knob (Mast)	Damaged?	Replace	●
● - Daily Check ▲ - Every 20 Hours ■ - Every 100 Hours ◆ - Every 500 Hours					

WIRING DIAGRAM

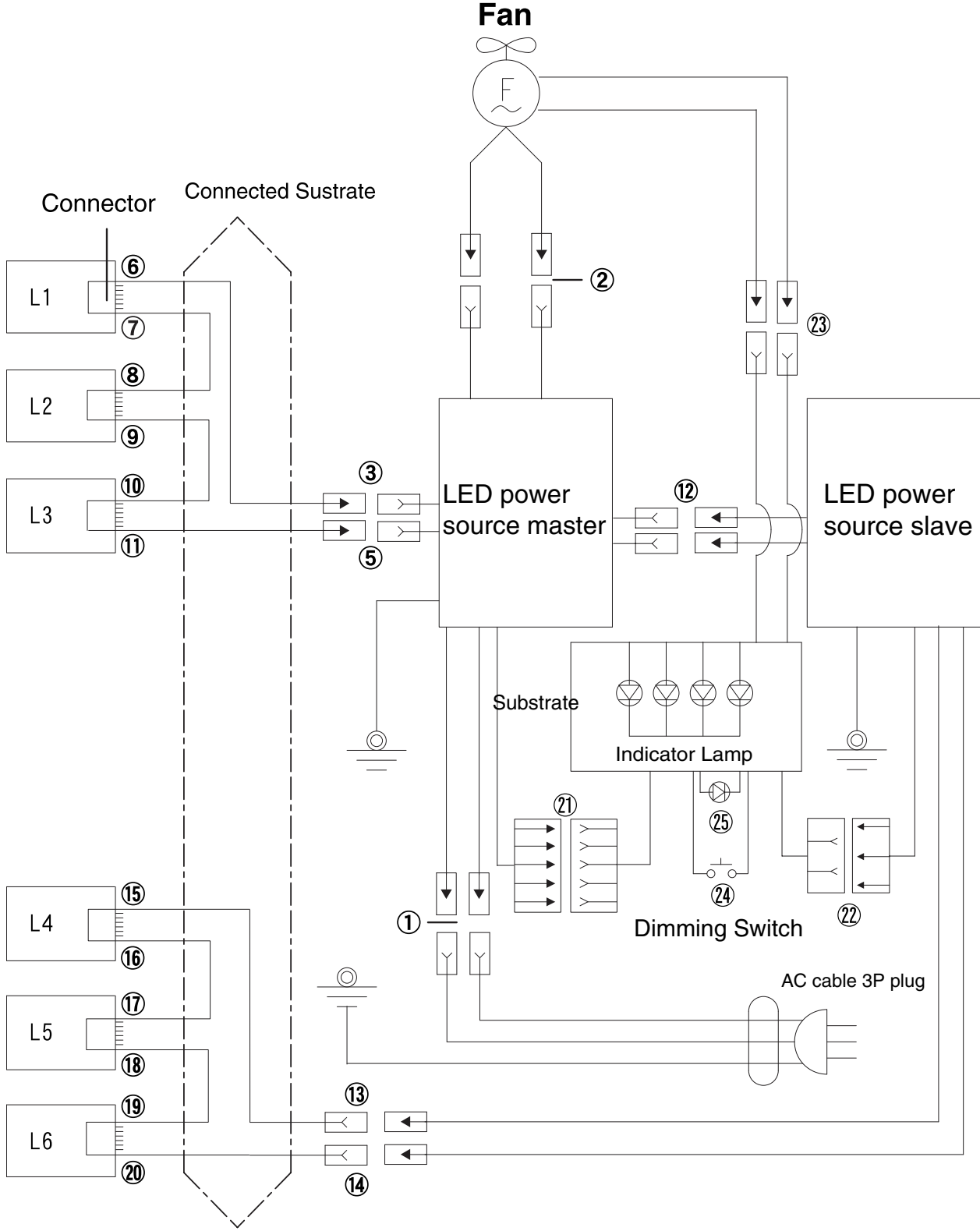
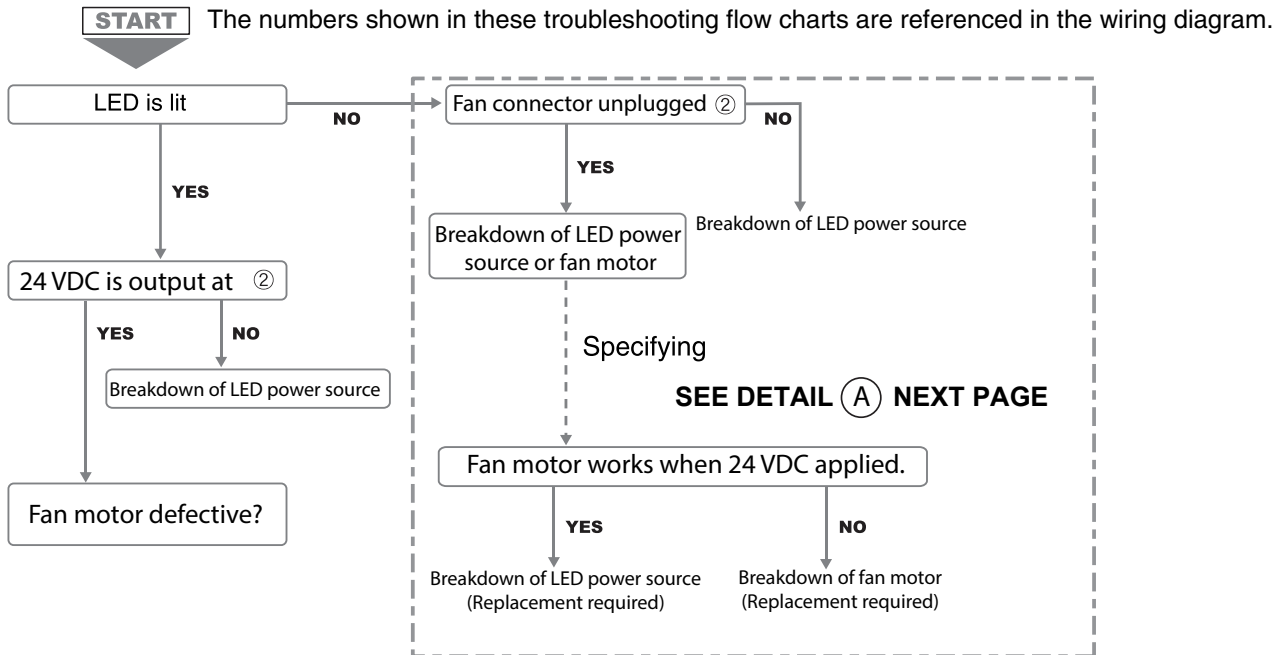


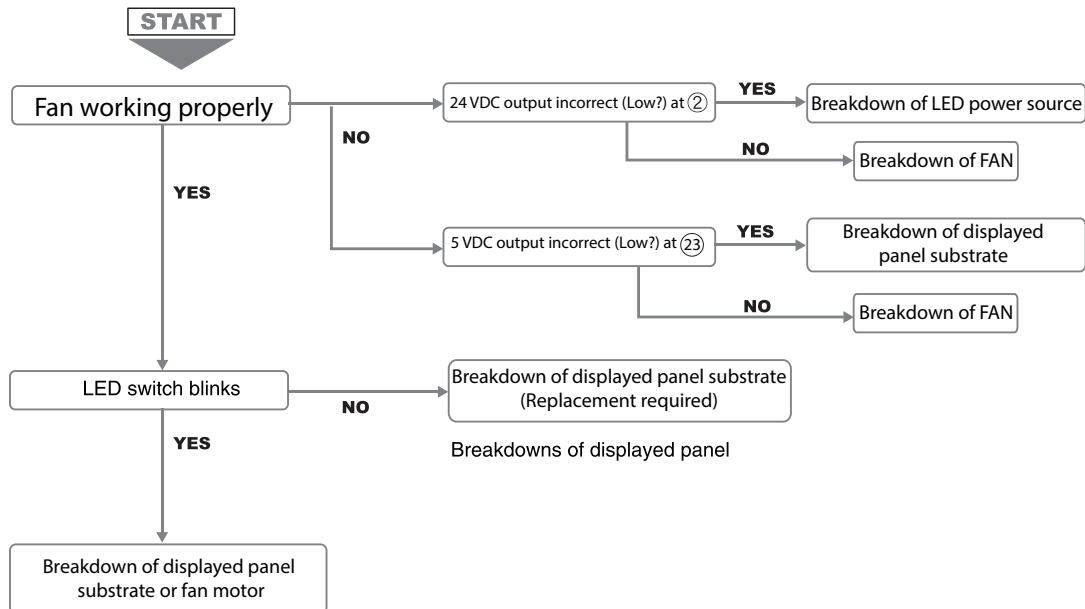
Figure 34. Electrical Wiring Diagram

Fan's Performance Impairment

Fan is not working

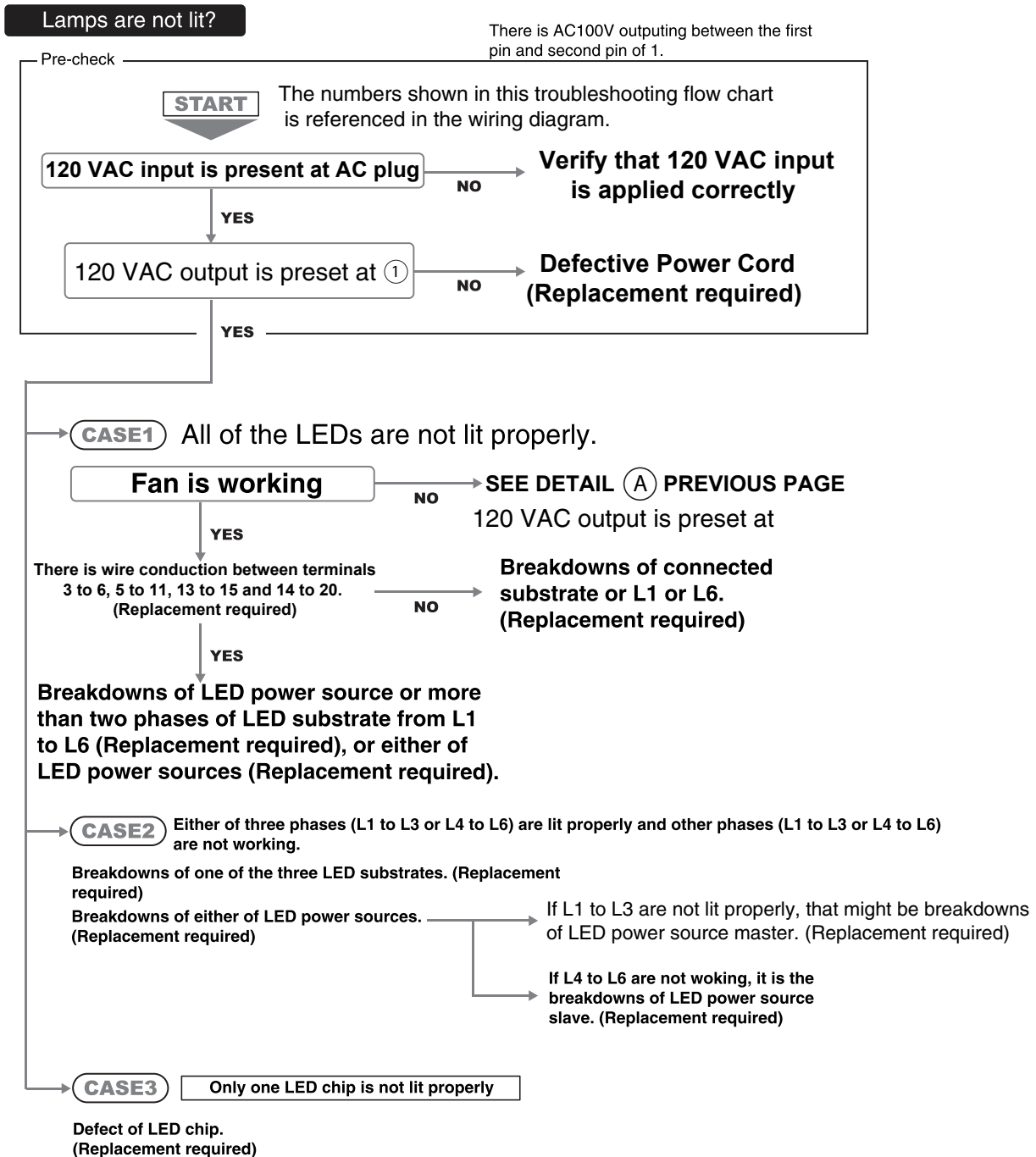


Silent mode not working?



Lamp's Performance Impairment

© Use the power source which none of machineries are plugged in.



Insufficient Air Inside Balloon

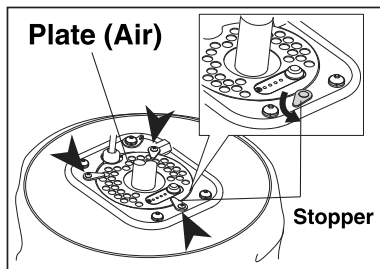
© Confirm the fan is working properly.

Balloon is not bulged.

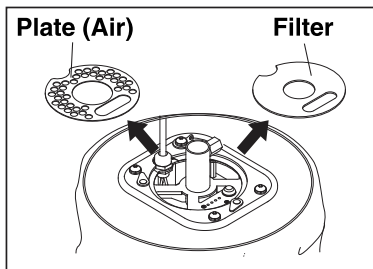
- 1 Zipper is opened → Close the zipper properly.
- 2 Balloon cloth is torn. → Repairing or exchanging the balloon cloth
- 3 The filter is clogged up → Cleaning up or exchanging the filter.
- 4 Silent mode → Holding down on switch to set up the normal mode.

How to clean up the filter.

■ Remove the filter.

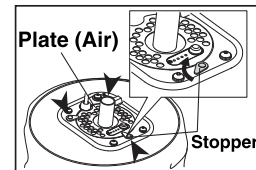


Use three stoppers to hold the plate.



Remove the plate and filter.

When installing.



Install the plate and filter in reverse order of when removing them.

■ Simple cleaning

- Beat the dust out of the filter.



- Use a vacuum cleaner to remove dust and debris.



■ Washing

- Use neutral detergent.
- When you put the filter in the washing machine, please use the laundry net.
- After washing, please dry it adequately and replace it. If filter is not completely DRY it will not filter properly. In cold weather conditions it could become frozen replace it.

If any debris or substance is firmly attached to the filter replace it.

TROUBLESHOOTING

Troubleshooting		
Symptom	Possible Problem	Solution
Lamp does not light.	Is power plug connected?	Plug in correctly.
	Is generator's main CB turned off?	Turn on CB.
	Are any wire cables disconnected?	Connect disconnected wire cable.
	Are any other electric appliances (other than light tower) plugged into power source?	Unplug all other appliances.
	Is generator voltage not normal (standby voltage - 120 ± 5 V)?	Use proper voltage.
Balloon is not inflating.	Is zipper unzipped?	Zip balloon completely.
	Is fan motor not properly operating?	Inspect and repair fan motor if necessary.
	Is balloon torn?	Repair balloon.
	Is unit in silent mode?	Cancel silent mode.

OPERATION MANUAL

HERE'S HOW TO GET HELP

PLEASE HAVE THE MODEL AND SERIAL
NUMBER ON-HAND WHEN CALLING

UNITED STATES

Multiquip Inc.

(310) 537- 3700
6141 Katella Avenue Suite 200
Cypress, CA 90630
E-MAIL: mq@multiquip.com
WEBSITE: www.multiquip.com

CANADA

Multiquip

(450) 625-2244
4110 Industriel Boul.
Laval, Quebec, Canada H7L 6V3
E-MAIL: infocanada@multiquip.com

UNITED KINGDOM

Multiquip (UK) Limited Head Office

0161 339 2223
Unit 2, Northpoint Industrial Estate,
Globe Lane,
Dukinfield, Cheshire SK16 4UJ
E-MAIL: sales@multiquip.co.uk

© COPYRIGHT 2024, MULTIQUIP INC.

Multiquip Inc, the MQ logo are registered trademarks of Multiquip Inc. and may not be used, reproduced, or altered without written permission. All other trademarks are the property of their respective owners and used with permission.

This manual MUST accompany the equipment at all times. This manual is considered a permanent part of the equipment and should remain with the unit if resold.

The information and specifications included in this publication were in effect at the time of approval for printing. Illustrations, descriptions, references and technical data contained in this manual are for guidance only and may not be considered as binding. Multiquip Inc. reserves the right to discontinue or change specifications, design or the information published in this publication at any time without notice and without incurring any obligations.

