

# PARTS MANUAL



## GLOBUG SERIES

### **GB8LED (Pentapod with Lamp)**

*SERIAL NO. G3800001 AND ABOVE*

### **GB8LEDB (Lamp Only)**

*SERIAL NO. G3900001 AND ABOVE*

Revision #4 (01/23/25)



c

To find the latest revision of this publication or associated operation manual, visit our website at: [www.multiquip.com](http://www.multiquip.com)



THIS MANUAL MUST ACCOMPANY THE EQUIPMENT AT ALL TIMES.

**GB8LED/GB8LEDB**

**Lighting System**

Explanation Of Code In Remarks Column..... 4  
Suggested Spare Parts ..... 5

**Component Drawings**

Nameplate And Decals ..... 6-7  
Electrical Assembly.....8-11  
Pentapod Assembly..... 12-13  
Mast Assembly ..... 14-15

**NOTICE**  
Specifications and part numbers are subject to change without notice.



# EXPLANATION OF CODE IN REMARKS COLUMN

The following section explains the different symbols and remarks used in the Parts section of this manual. Use the help numbers found on the back page of the manual if there are any questions.

**NOTICE**

The contents and part numbers listed in the parts section are subject to change **without notice**. Multiquip does not guarantee the availability of the parts listed.

## SAMPLE PARTS LIST

NO.	PART NO.	PART NAME	QTY.	REMARKS
1	12345	BOLT.....	1	INCLUDES ITEMS W/%
2%		WASHER, 1/4 IN.....		NOT SOLD SEPARATELY
2%	12347	WASHER, 3/8 IN....	1	MQ-45T ONLY
3	12348	HOSE .....	A/R	MAKE LOCALLY
4	12349	BEARING .....	1	S/N 2345B AND ABOVE

### NO. Column

**Unique Symbols** — All items with same unique symbol

(@, #, +, %, or >) in the number column belong to the same assembly or kit, which is indicated by a note in the “Remarks” column.

**Duplicate Item Numbers** — Duplicate numbers indicate multiple part numbers, which are in effect for the same general item, such as different size saw blade guards in use or a part that has been updated on newer versions of the same machine.

**NOTICE**

When ordering a part that has more than one item number listed, check the remarks column for help in determining the proper part to order.

### PART NO. Column

**Numbers Used** — Part numbers can be indicated by a number, a blank entry, or TBD.

TBD (To Be Determined) is generally used to show a part that has not been assigned a formal part number at the time of publication.

A blank entry generally indicates that the item is not sold separately or is not sold by Multiquip. Other entries will be clarified in the “Remarks” Column.

### QTY. Column

**Numbers Used** — Item quantity can be indicated by a number, a blank entry, or A/R.

A/R (As Required) is generally used for hoses or other parts that are sold in bulk and cut to length.

A blank entry generally indicates that the item is not sold separately. Other entries will be clarified in the “Remarks” Column.

### REMARKS Column

Some of the most common notes found in the “Remarks” Column are listed below. Other additional notes needed to describe the item can also be shown.

**Assembly/Kit** — All items on the parts list with the same unique symbol will be included when this item is purchased.

Indicated by:  
 “INCLUDES ITEMS W/(unique symbol)”

**Serial Number Break** — Used to list an effective serial number range where a particular part is used.

Indicated by:  
 “S/N XXXXX AND BELOW”  
 “S/N XXXX AND ABOVE”  
 “S/N XXXX TO S/N XXX”

**Specific Model Number Use** — Indicates that the part is used only with the specific model number or model number variant listed. It can also be used to show a part is NOT used on a specific model or model number variant.

Indicated by:  
 “XXXXX ONLY”  
 “NOT USED ON XXXX”

**“Make/Obtain Locally”** — Indicates that the part can be purchased at any hardware shop or made out of available items. Examples include battery cables, shims, and certain washers and nuts.

**“Not Sold Separately”** — Indicates that an item cannot be purchased as a separate item and is either part of an assembly/kit that can be purchased, or is not available for sale through Multiquip.

## **SUGGESTED SPARE PARTS**

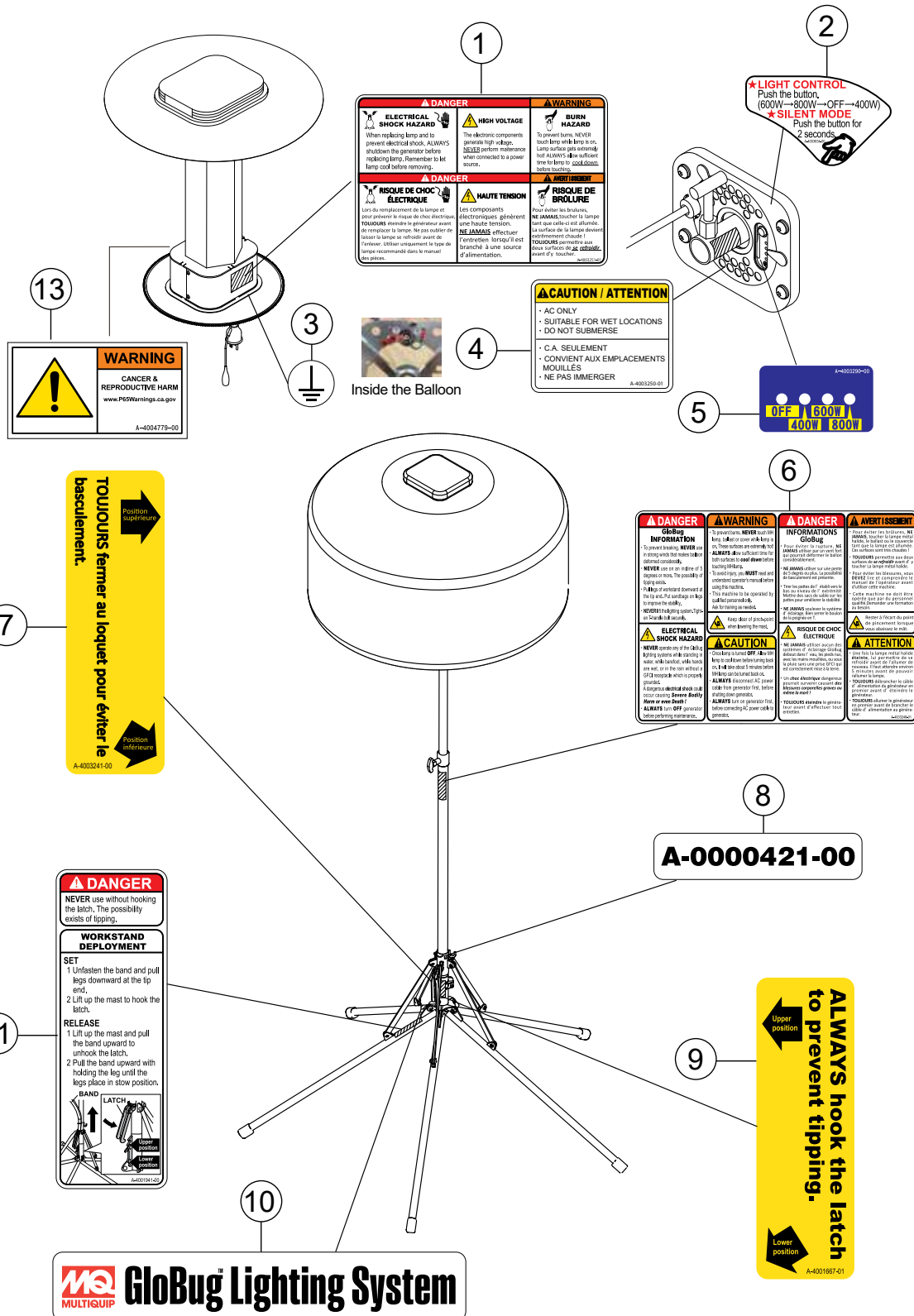
---

### **GLOBUG GB8LED LIGHTING SYSTEM**

#### **1 TO 3 UNITS**

<b>Qty.</b>	<b>P/N</b>	<b>Description</b>
3.....	A300282600 .....	LED HEATSINK ASSY
2.....	A100108400 .....	BALLOON CLOTH

# NAMEPLATE AND DECALS



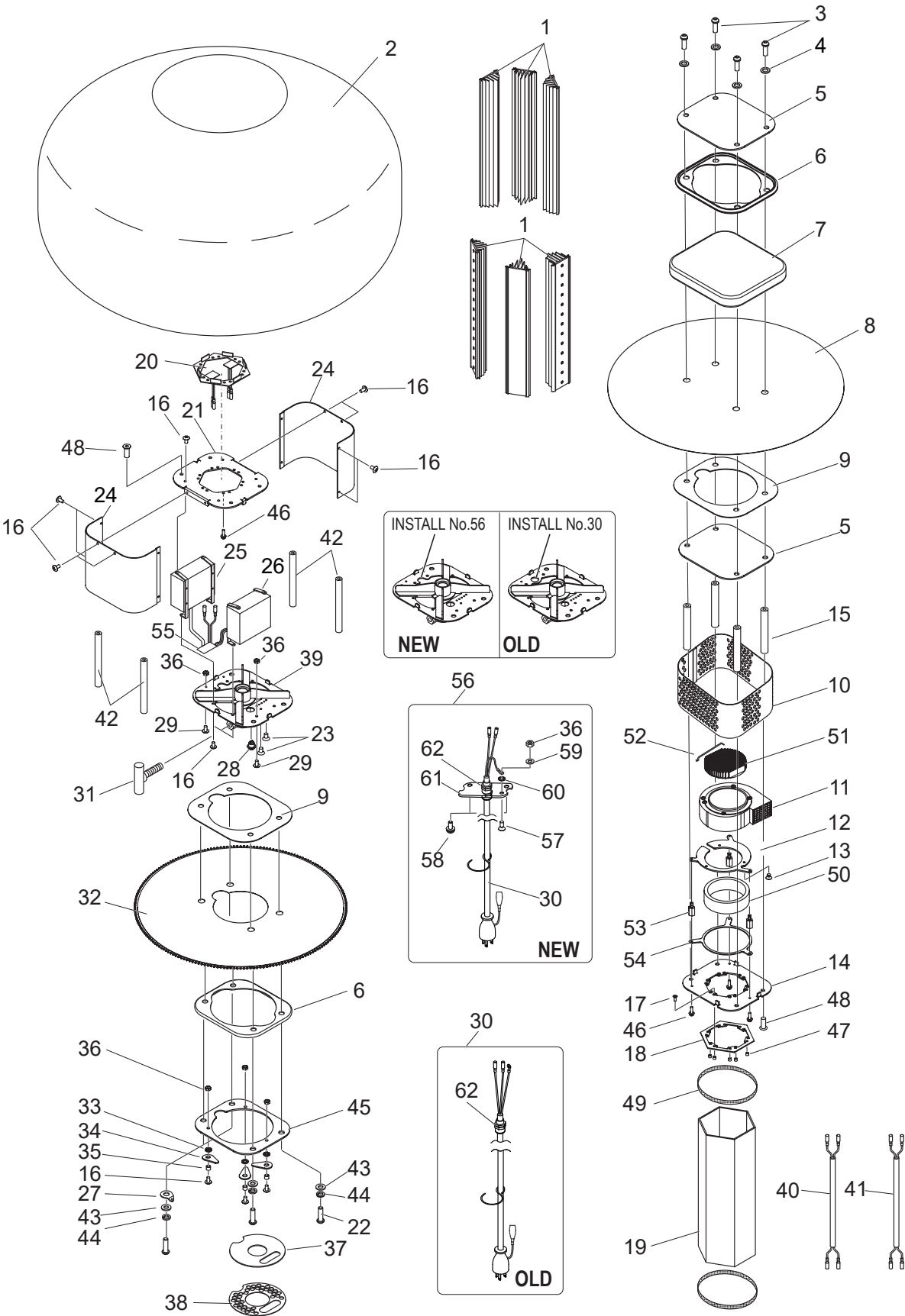
**MQ MULTIGUIP GloBug Lighting System**

## NAMEPLATE AND DECALS

---

<u>NO.</u>	<u>PART NO.</u>	<u>PART NAME</u>	<u>QTY.</u>	<u>REMARKS</u>
1	A400325101	DECAL; ELECTRIC SHOCK, HIGH VOLTAGE, BURN HAZ.	1	
2	A400363401	DECAL; LIGHT CONTROL	1	
3	A400372800	DECAL; GROUND	1	
4	A400325001	DECAL; CAUTION, CSA	1	
5	A400329000	DECAL; DIMMER SWITCH LEDS	1	
6	A400324801	DECAL; GLOBUG INFORMATION	1	
7	A400324100	DECAL: HOOK LATCH (FRENCH)	1	
8	A400207303	DECAL;NAME	1	
9	A400166701	DECAL; HOOK LATCH (ENGLISH)	1	
10	A400193300	DECAL; LOGO MQ-GLOBUG	1	
11	A400194100	DECAL; DANGER, WORKSTAND DEPLOYMENT	1	
13	A400477900	DECAL; WARNING CAL. PROP-65	1	

# ELECTRICAL ASSY.

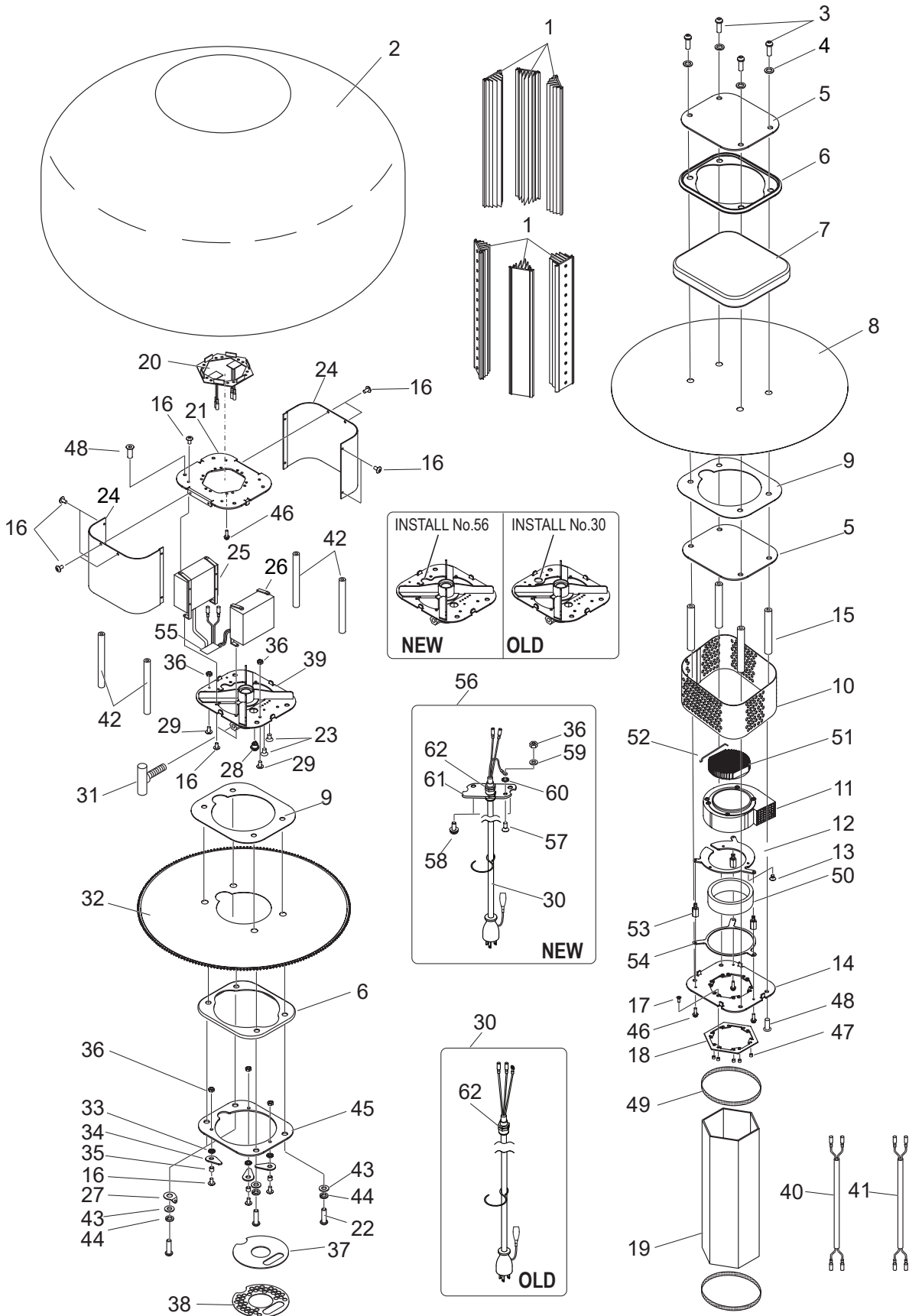




# ELECTRICAL ASSY.

<u>NO.</u>	<u>PART NO.</u>	<u>PART NAME</u>	<u>QTY.</u>	<u>REMARKS</u>
1	A300282604	LED HEATSINK ASSY.	6	
2	A100108400	BALLOON, CLOTH	1	
3	0014708025	BUTTON SCREW, M8X25	4	
4	E000132100	BONDED WASHER, 8X19X4.1	4	
5	A300257000	PLATE, TOP	2	
6	A300162401	SEAL, PACKING, GB8LED.....	2.....	S/N US390055 AND BELOW
6	A300162401	SEAL, PACKING, GB8LEDB.....	2.....	S/N US380315 AND BELOW
6	A300162402	SEAL, PACKING, GB8LED.....	2.....	S/N US390056 AND ABOVE
6	A300162402	SEAL, PACKING, GB8LEDB.....	2.....	S/N US380316 AND ABOVE
7	A100107701	BALLOON COVER, GB8LED.....	1.....	S/N US380380 AND BELOW
7	A100107701	BALLOON COVER, GB8LEDB.....	1.....	S/N US390085 AND BELOW
7	A100107702	BALLOON COVER, GB8LED.....	1.....	S/N US380381 AND ABOVE
7	A100107702	BALLOON COVER, GB8LEDB.....	1.....	S/N US390086 AND ABOVE
8	A100101200	SHEET, TOP	1	
9	2214500230	SEAL, FLAT	2	
10	A300274701	VESSEL, TOP, GB8LED.....	1.....	S/N US380590 AND BELOW
10	A300274701	VESSEL, TOP, GB8LEDB.....	1.....	S/N US390080 AND BELOW
10	A300274703	VESSEL, TOP, GB8LED.....	1.....	S/N US380591 AND ABOVE
10	A300274703	VESSEL, TOP, GB8LEDB.....	1.....	S/N US390081 AND ABOVE
11	A300411300	DC FAN MOTOR	1	
12	A300281401	PLATE, FAN	1	
13	0023204006	COUNTERSUNK SCREW, M4X6	3	
14	A300247702	PLATE, LAMP, TOP	1	
15	A400317400	SPACER A	4	
16	0024304008	TRUSS SCREW, M4X8	19	
17	0025004012	COUNTERSUNK SCREW, M4X12	12	
18	A400295300	STOPPER, GUARD	1	
19	A300243602	GUARD, LED	1	
20	A300282501	ADAPTER BOARD	1	
21	A300290400	PLATE, LAMP	1	
22	0014708035	BUTTON SCREW, M8X35	4	
23	0023203005	COUNTERSUNK SCREW, M3X5	2	
24	A300291201	COVER PLATE	2	
25	A000065605	LED POWER SUPPLY, MASTER.....	1.....	INCLUDES ITEMS W/#
26	A000065704	LED POWER SUPPLY, SLAVE	1	
27	2204510110	WASHER	1	
28	A400329901	DIMMING SWITCH	1	
29	0022404008	TRUSS SCREW, M4X8	2	
30\$	A300333800	POWER CABLE (US)	1	
31	A400209803	BALLOON KNOB	1	
32	A100097601	SHEET, BOTTOM, GB8LED.....	1.....	S/N US380591 AND BELOW
32	A100097601	SHEET, BOTTOM, GB8LEDB.....	1.....	S/N US390080 AND BELOW
32	A100097602	SHEET, BOTTOM, GB8LED.....	1.....	S/N US380592 AND ABOVE
32	A100097602	SHEET, BOTTOM, GB8LEDB.....	1.....	S/N US390081 AND ABOVE
33	E000119300	WAVE WASHER, M6	3	
34	A400030700	STOPPER, FILTER	3	

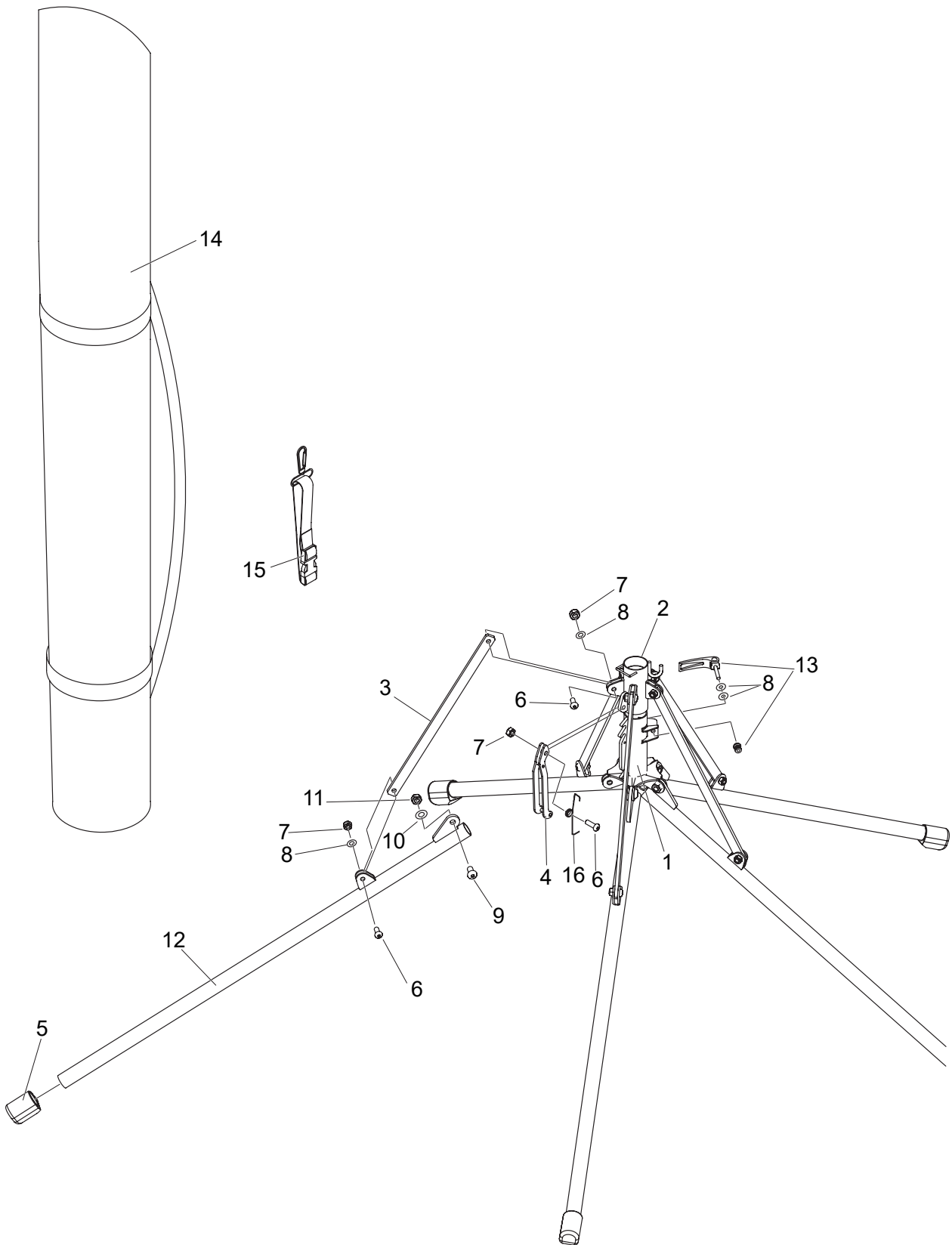
# ELECTRICAL ASSY. (CONT'D.)



## ELECTRICAL ASSY. (CONT'D.)

<u>NO.</u>	<u>PART NO.</u>	<u>PART NAME</u>	<u>QTY.</u>	<u>REMARKS</u>
35	E000077500	SPACER	3	
36	0033104000	NUT, M4	5	
37	A400273800	FILTER	1	
38	A300244600	PLATE, AIR	1	
39	A200105100	FLANGE COMPLETE (LED) .....	1.....	FOR ITEM 30
39	A200156001	FLANGE COMPLETE (LED) .....	1.....	FOR ITEM 56
40	A400305001	WIRE, FAN COMPLETE	1	
41	A400331100	WIRE, FAN-VC COMPLETE	1	
42	A400311400	SPACER B	4	
43	0043108000	WASHER, M8	4	
44	0043208000	LOCK WASHER, M8	4	
45	A300256700	PLATE, BOTTOM, GB8LED .....	1.....	S/N US380591 AND BELOW
45	A300256700	PLATE, BOTTOM, GB8LEDB .....	1.....	S/N US390080 AND BELOW
45	A300256702	PLATE, BOTTOM, GB8LED .....	1.....	S/N US380592 AND ABOVE
45	A300256702	PLATE, BOTTOM, GB8LEDB .....	1.....	S/N US390081 AND ABOVE
46	0023004015	SCREW AND WASHER, M4X15	15	
47	E000122300	SPACER	12	
48	E000119600	BOLT, M8X20	8	
49	A400340701	PACKING, GUARD	2	
50	A400306700	PACKING, FAN	1	
51	A400330201	HEATSINK, FAN	1	
52	A400345600	STOPPER, FAN	1	
53	E000127200	SPACER	3	
54	A300268500	GUIDE, FAN	1	
55#	A400394103	DIMMING BOARD W/ THERMO SENSOR	1	
56	A000098400	CABLE ASSY. (US).....	1.....	INCLUDES ITEMS W/\$
57\$	0020604010	COUNTERSUNK SCREW, M4X10	1	
58\$	0023305010	SCREW AND WASHER ASSY. M5X10	2	
59\$	0043204000	LOCK WASHER, M4	1	
60\$	0043904000	TOOTHED WASHER, M4	1	
61\$	A400495102	PLATE, CABLE	1	
62\$	E000130200	CABLE GLAND	1	

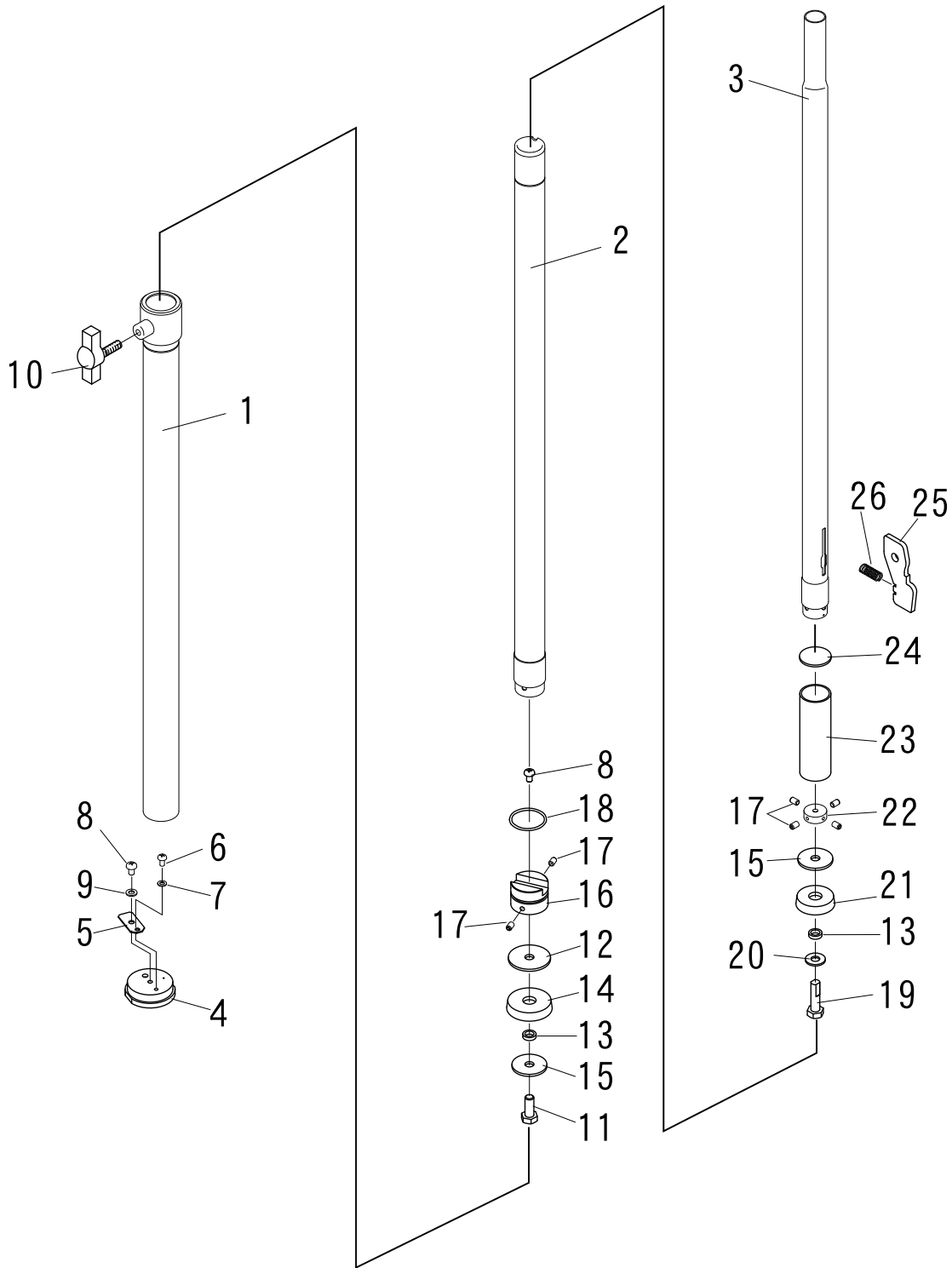
# PENTAPOD ASSY.



## PENTAPOD ASSY.

<u>NO.</u>	<u>PART NO.</u>	<u>PART NAME</u>	<u>QTY.</u>	<u>REMARKS</u>
1	A300180300	BASE PIPE 1	1	
2	A300178000	BASE PIPE 2	1	
3	A300113103	STAY	5	
4	A300108700	SHACKLE	1	
5	1641000330	RUBBER FOOT	5	
6	0014708025	BUTTON SCREW, M8X25	11	
7	0033208000	SELF LOCK NUT, M8	11	
8	0043108000	WASHER, M8	12	
9	0014710025	BUTTON SCREW, M10X25	5	
10	0043110000	WASHER, M10	5	
11	0033210000	SELF LOCK NUT, M10	5	
12	A300171601	PIPE BASE	5	
13	2212780310	LEVER, CLAMP W/ NUT	1	
14	A300152702	PENTAPOD COVER, GB8LED .....	1.....	S/N US380380 AND BELOW
14	A000118900	PENTAPOD COVER, GB8LED .....	1.....	S/N US380381 AND ABOVE
15	E000140900	STRAP	1	
16	A400205901	SPRING, SHACKLE	1	

# MAST ASSY.



## MAST ASSY.

---

<u>NO.</u>	<u>PART NO.</u>	<u>PART NAME</u>	<u>QTY.</u>	<u>REMARKS</u>
1	A300175402	FIRST MAST	1	
2	A300175500	SECOND MAST	1	
3	A300175601	THIRD MAST	1	
4	A400199700	PLUG	1	
5	A400112700	LEAF VALVE	1	
6	0023104008	SCREW, M4X8	1	
7	0043104000	WASHER, M4	1	
8	0023105008	SCREW M5X8	2	
9	0043105000	WASHER, M5	1	
10	A400187602	KNOB, BLACK	1	
11	0013108020	BOLT, M8X20	1	
12	A400200500	WASHER	1	
13	A400110200	WASHER, FIRST MAST	2	
14	A400200700	RUBBER, MAST	1	
15	A400092801	WASHER, SECOND MAST	2	
16	A400200800	BOTTOM PLATE	1	
17	0021805008	SET SCREW, M5X8	6	
18	E000081200	O-RING	1	
19	A400202700	BOLT	1	
20	0043108000	WASHER, M8	1	
21	A400109600	RUBBER, MAST	1	
22	A400092402	BOTTOM PLATE	1	
23	A400200300	PIPE, LEVER	1	
24	A400321800	WASHER	1	
25	A400200201	LEVER, HOOK	1	
26	A400345901	SPRING, HOOK	1	

# PARTS MANUAL

## HERE'S HOW TO GET HELP

PLEASE HAVE THE MODEL AND SERIAL  
NUMBER ON-HAND WHEN CALLING

### UNITED STATES

#### *Multiquip Inc.*

(310) 537- 3700  
6141 Katella Avenue Suite 200  
Cypress, CA 90630  
E-MAIL: [mq@multiquip.com](mailto:mq@multiquip.com)  
WEBSITE: [www.multiquip.com](http://www.multiquip.com)

---

### CANADA

#### *Multiquip*

(450) 625-2244  
4110 Industriel Boul.  
Laval, Quebec, Canada H7L 6V3  
E-MAIL: [infocanada@multiquip.com](mailto:infocanada@multiquip.com)

### UNITED KINGDOM

#### *Multiquip (UK) Limited Head Office*

0161 339 2223  
Unit 2, Northpoint Industrial Estate, Globe Lane,  
Dukinfield, Cheshire SK16 4UJ  
E-MAIL: [sales@multiquip.co.uk](mailto:sales@multiquip.co.uk)

© COPYRIGHT 2025, MULTIQUIP INC.

Multiquip Inc. and the MQ logo are registered trademarks of Multiquip Inc. and may not be used, reproduced, or altered without written permission. All other trademarks are the property of their respective owners and used with permission.

This manual MUST accompany the equipment at all times. This manual is considered a permanent part of the equipment and should remain with the unit if resold.

The information and specifications included in this publication were in effect at the time of approval for printing. Illustrations, descriptions, references and technical data contained in this manual are for guidance only and may not be considered as binding. Multiquip Inc. reserves the right to discontinue or change specifications, design or the information published in this publication at any time without notice and without incurring any obligations.

