

PARTS MANUAL



MODEL LD60 HYDRAULIC RIDE-ON TROWEL (VANGUARD 23 HP GASOLINE ENGINE)

Revision #0 (10/09/25)

To find the latest revision of this publication or associated operation manual, visit our website at: www.multiquip.com



THIS MANUAL MUST ACCOMPANY THE EQUIPMENT AT ALL TIMES.

PN: 52204

TABLE OF CONTENTS

LD60

Ride-On Trowel

Explanation of Code in Remarks Column.....	4
Suggested Spare Parts	5

Component Drawings

Nameplate and Decals Assembly.....	6-7
Frame and Platform Assembly	8-9
Foot Switch and Protector Assembly.....	10-11
Spray Pump/Edger Assembly.....	12-13
Retardant Tank Assembly.....	14-15
Light Assembly	16-17
Seat Frame Assembly	18-19
Left-Hand Control Box Assembly.....	20-21
Right-Hand Control Box Assembly	22-23
Hydraulic Steering Assembly.....	24-25
Pivot Assembly	26-27
Left-Side Hydraulic Motor Assembly.....	28-29
Right-Side Hydraulic Motor Assembly	30-31
Left-Side Spider Assembly	32-33
Right-Side Spider Assembly.....	34-35
Hydraulic Tank and Cooler Assembly	36-37
Hydraulic Pump Assembly.....	38-39
Hydraulic Filter and Manifold Assembly.....	40-41
Hydraulic Hose Kit Assy. (Complete).....	42-43
Hyd. Hose Assy. (Hyd. Steering Cylinders)	44-45
Hydraulic Hose Assembly (Manifold).....	46-47
Hyd. Hose Assy. (Hyd. Tank/Filter/Cooler/Motors) ..	48-49

Electrical Panel Assembly	50-51
Harness Assembly (Main).....	52-53
Harness Assembly (Pitch)	54-55
Battery Assembly.....	56-57
Fuel System Assembly	58-59
Engine Mounting Assembly	60-61
Exhaust Assembly	62-63
Engine Service Parts.....	64-65
Foot Pedal Kit Assembly (Option).....	66-67
Muffler Kit Assembly (Option).....	68-69
EZ Mover Kit Assembly (Option)	70-71

NOTICE

Specifications and part numbers are subject to change without notice.

EXPLANATION OF CODE IN REMARKS COLUMN

The following section explains the different symbols and remarks used in the Parts section of this manual. Use the help numbers found on the back page of the manual if there are any questions.

NOTICE

The contents and part numbers listed in the parts section are subject to change without notice. Multiquip does not guarantee the availability of the parts listed.

SAMPLE PARTS LIST

NO.	PART NO.	PART NAME	QTY.	REMARKS
1	12345	BOLT	1	INCLUDES ITEMS W/%
2%		WASHER, 1/4 IN.		NOT SOLD SEPARATELY
2%	12347	WASHER, 3/8 IN. ...	1	MQ-45T ONLY
3	12348	HOSE	A/R	MAKE LOCALLY
4	12349	BEARING	1	S/N 2345B AND ABOVE

NO. Column

Unique Symbols — All items with same unique symbol (@, #, +, %, or >) in the number column belong to the same assembly or kit, which is indicated by a note in the “Remarks” column.

Duplicate Item Numbers — Duplicate numbers indicate multiple part numbers, which are in effect for the same general item, such as different size saw blade guards in use or a part that has been updated on newer versions of the same machine.

NOTICE

When ordering a part that has more than one item number listed, check the remarks column for help in determining the proper part to order.

PART NO. Column

Numbers Used — Part numbers can be indicated by a number, a blank entry, or TBD.

TBD (To Be Determined) is generally used to show a part that has not been assigned a formal part number at the time of publication.

A blank entry generally indicates that the item is not sold separately or is not sold by Multiquip. Other entries will be clarified in the “Remarks” Column.

QTY. Column

Numbers Used — Item quantity can be indicated by a number, a blank entry, or A/R.

A/R (As Required) is generally used for hoses or other parts that are sold in bulk and cut to length.

A blank entry generally indicates that the item is not sold separately. Other entries will be clarified in the “Remarks” Column.

REMARKS Column

Some of the most common notes found in the “Remarks” Column are listed below. Other additional notes needed to describe the item can also be shown.

Assembly/Kit — All items on the parts list with the same unique symbol will be included when this item is purchased.

Indicated by:

“INCLUDES ITEMS W/(unique symbol)”

Serial Number Break — Used to list an effective serial number range where a particular part is used.

Indicated by:

“S/N XXXXX AND BELOW”

“S/N XXXX AND ABOVE”

“S/N XXXX TO S/N XXX”

Specific Model Number Use — Indicates that the part is used only with the specific model number or model number variant listed. It can also be used to show a part is NOT used on a specific model or model number variant.

Indicated by:

“XXXXX ONLY”

“NOT USED ON XXXX”

“Make/Obtain Locally” — Indicates that the part can be purchased at any hardware shop or made out of available items. Examples include battery cables, shims, and certain washers and nuts.

“Not Sold Separately” — Indicates that an item cannot be purchased as a separate item and is either part of an assembly/kit that can be purchased, or is not available for sale through Multiquip.

SUGGESTED SPARE PARTS

LD60 HYDRAULIC RIDE-ON TROWEL

1 to 3 units

Qty.	P/N	Description
2	23959	SWITCH, IGNITION
2	23959-01	KEY, IGNITION
2	10793	ASSY., THRUST COLLAR
4	2826	ARM, TROWEL
4	1157 A	BUSHING, TROWEL ARM
1	45132-01	RESERVOIR CAP
2	45644	FILTER, HYD. 10 MICRON
2	12017	RELAY, KILL
1	45547	CAP, FUEL TANK

VANGUARD 23 HP GASOLINE ENGINE

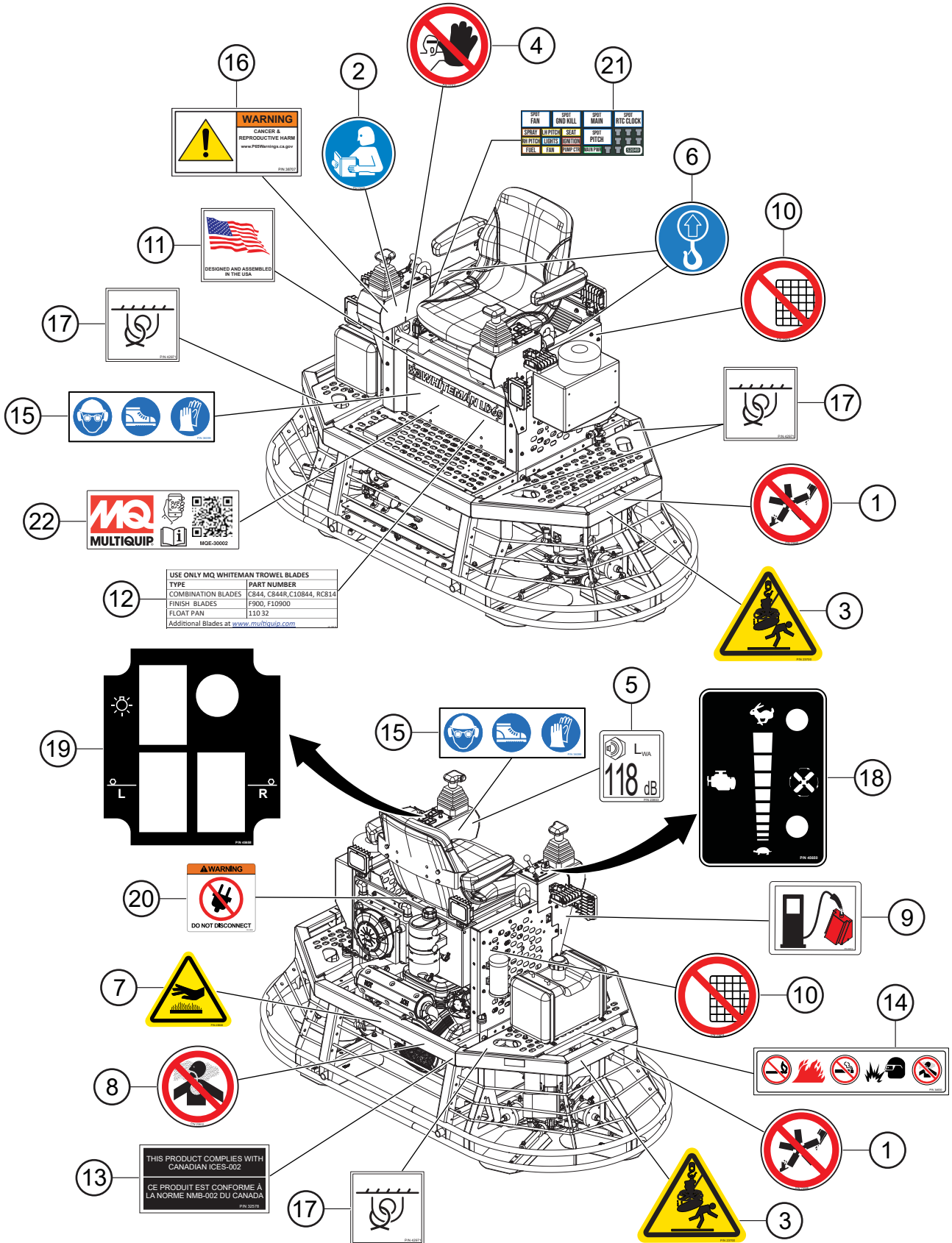
1 to 3 units

Qty.	P/N	Description
3	792015	SPARK PLUG
2	842921	FILTER, OIL
2	692519	FILTER, AIR CLEANER CARTRIDGE
2	692520	FILTER, PRE AIR CLEANER
3	845125	FILTER, FUEL 20 MICRON
1	808656	PUMP, FUEL

NOTICE

Part numbers on this Suggested Spare Parts list may supersede/replace the part numbers shown in the following parts lists.

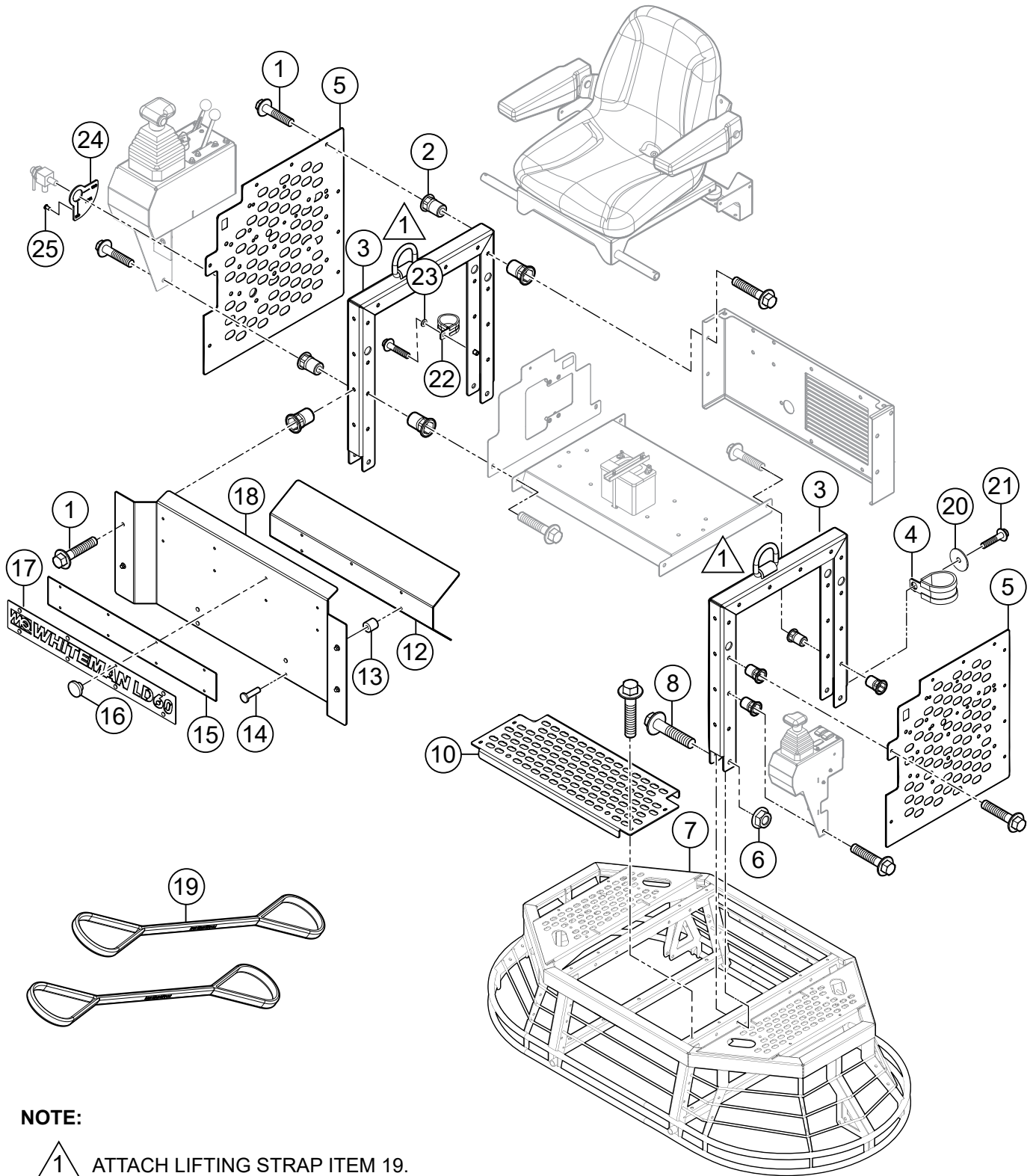
NAMEPLATE AND DECALS ASSY.



NAMEPLATE AND DECALS ASSY.

<u>NO.</u>	<u>PART NO.</u>	<u>PART NAME</u>	<u>QTY.</u>	<u>REMARKS</u>
1	23698	DECAL ISO, ROATING BLADE HAZARD	2	
2	23699	DECAL ISO, READ MANUAL	1	
3	23700	DECAL ISO, LIFTING/CRUSH, 2.4" X 2.0"	2	
4	23701	DECAL ISO, ASK FOR TRAINING	1	
5	23803-118	DECAL, GUARANTEED SOUND POWER LEVEL	1	
6	23805	DECAL ISO, LIFTING POINT, 1.00" DIA.	2	
7	23808	DECAL ISO, HOT SURFACE HAZARD	1	
8	23810	DECAL ISO, INHALATION HAZARD, 2"	1	
9	23812	DECAL ISO, FUEL GASOLINE 3.0" X 2.45"	1	
10	23874	DECAL ISO, DO NOT REMOVE GUARDS, HAZARD 2.00" DIA.	2	
11	30538	DECAL, FLAG DESIGNED ASM IN USA	1	
12	32219	DECAL, TROWEL BLADES	1	
13	32578	DECAL, CANADIAN COMPLIANCE	1	
14	34630	DECAL ISO, FIRE, EXPLOSION, SMOKING HAZARD 6.50" X 1.40"	1	
15	36099	DECAL ISO, PROTECTIVE CLOTHING, 3.50" X 1.13"	2	
16	38707	DECAL, CANCER AND REPRODUCTIVE HARM	1	
17	42971	DECAL ISO, TIE-DOWN	4	
18	45650	DECAL, SPEED CONTROL	1	
19	45658	DECAL, LH CONSOLE	1	
20	48056	DECAL SAFETY SWITCH, DO NOT DISCONNECT	1	
21	52049	DECAL, FUSEBOX	1	
22	50013	DECAL, QR CODE	1	

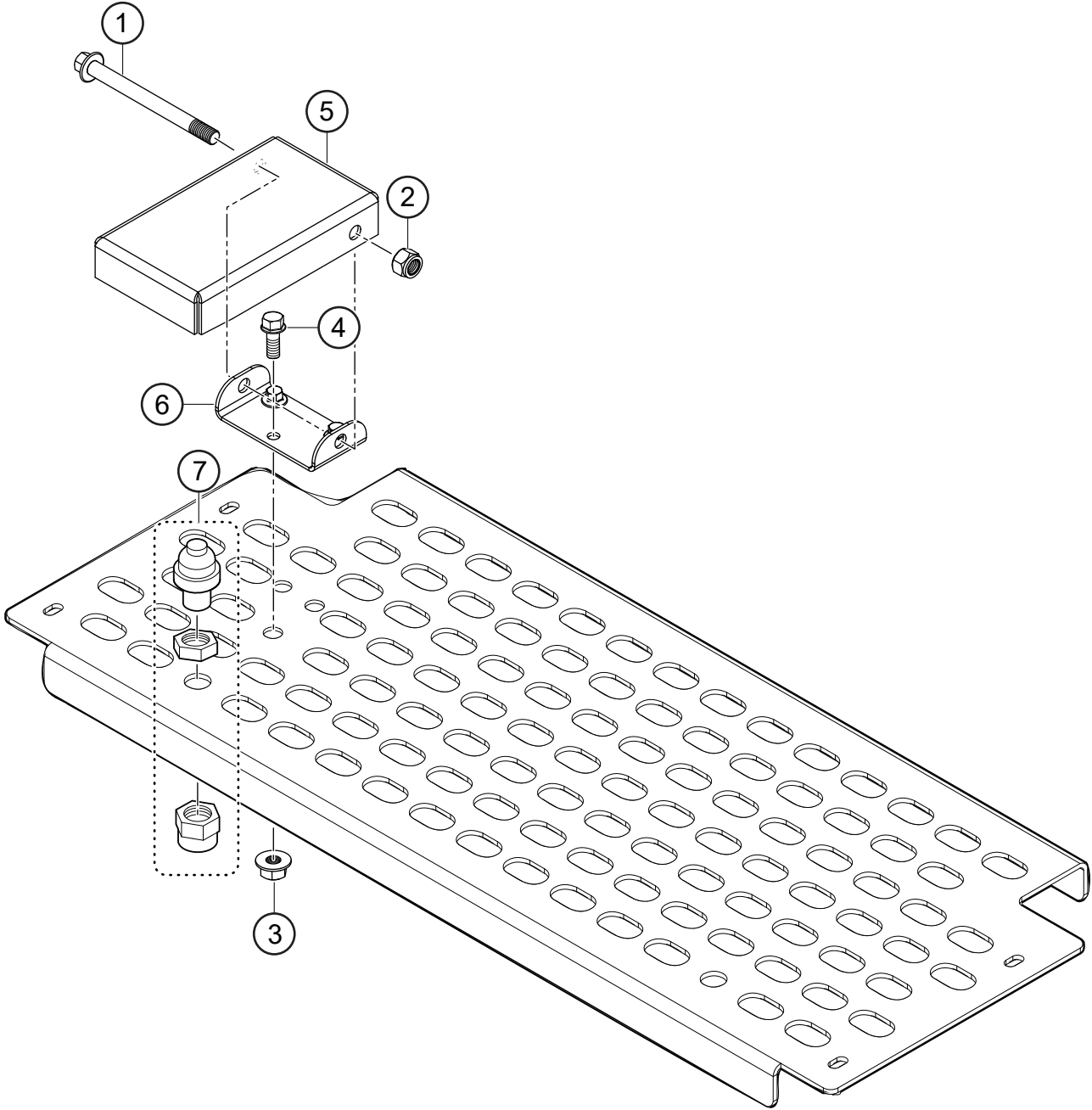
FRAME AND PLATFORM ASSY.



FRAME AND PLATFORM ASSY.

<u>NO.</u>	<u>PART NO.</u>	<u>PART NAME</u>	<u>QTY.</u>	<u>REMARKS</u>
1	42325	SCREW, HHC M6-1.0 X 20, CAPTIVE WASHER	28	
2	42496	NUT, BLIND, HEX, M6-1.0 X 0.7 - 4.2 GRIP	54	
3	48994	FRAME, LIFT	2	
4	29796	CLAMP, CUSHIONED LOOP, 1-3/4" DIA. X 1" WIDE	1	
5	45435	PANEL, SIDE	2	
6	021112140	NUT, HEX, NYLOC, M12-1.75	4	
7	45401	FRAME, MAIN	1	
8	9173	SCREW, HHF M12-1.75 X 70 GR 10.9 PATCH	4	
10	45553	PLATFORM, FRONT	1	
12	45423	SHIELD, HEAT	1	
13	23995	SPACER, .50 OD X .206 ID	4	
14	30059	RIVET, POP BH, .187 X .626 - .750 AL/AL	4	
15	45641	BACKING, EMBLEM	1	
16	30029	RIVET, POP BH, .187 X .063 - .125 AL/AL	8	
17	45551	EMBLEM	1	
18	45422	PANEL, FRONT	1	
19	52078	LIFTING STRAP, 3FT-6IN 6200LBS CAP.	2	
20	10930	WASHER, FENDER 1/4 X 1-1/4	1	
21	43724	SCREW, HFS M6-1.0 X 25MM CLASS 8.8	6	
22	30017	CLAMP, LOOP CUSHIONED #20 0.25 HOLE	1	
23	0948	WASHER, FLAT SAE 1/4	1	
24	52206	PACARD, FUEL CUTOFF VALVE	1	
25	19847	RIVET, POP ALUM. 3/16 X 1/8-1/4 GRIP	1	

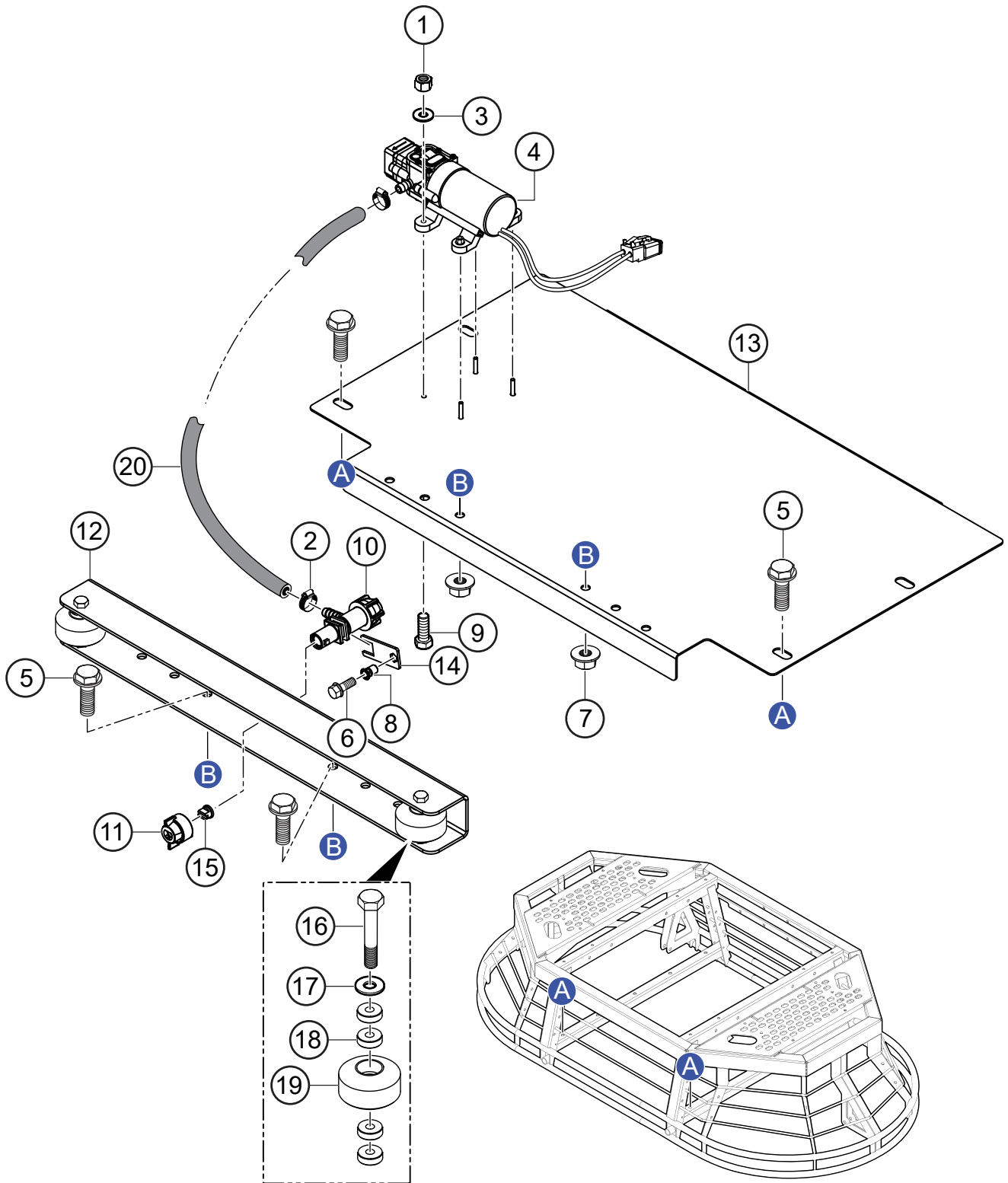
FOOT SWITCH AND PROTECTOR ASSY.



FOOT SWITCH AND PROTECTOR ASSY.

<u>NO.</u>	<u>PART NO.</u>	<u>PART NAME</u>	<u>QTY.</u>	<u>REMARKS</u>
1	22022	SCREW, HHF M8-1.25, CLASS 8.8	1	
2	42344	NUT, NYLOC M8-1.25 X 90 GR. 10.9	1	
3	42352	NUT, HEX. SERRATED-FLANGE M6-1.0	3	
4	42542	SCREW, HFS M6-1.0 X 16	3	
5	45956	FOOT SWITCH PROTECTOR	1	
6	45957	SWITCH PROTECTOR MOUNT	1	
7	45549	SWITCH, FOOT, NORM. OPEN	1	

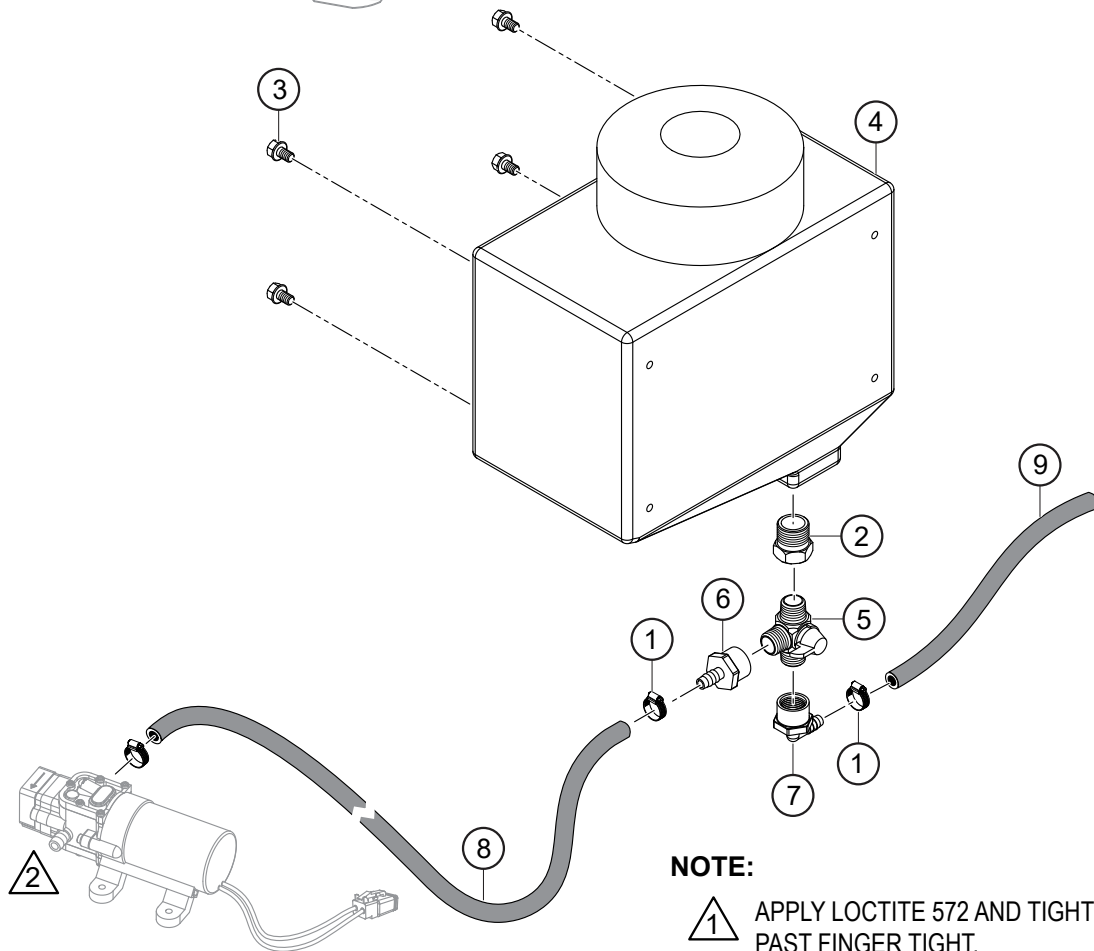
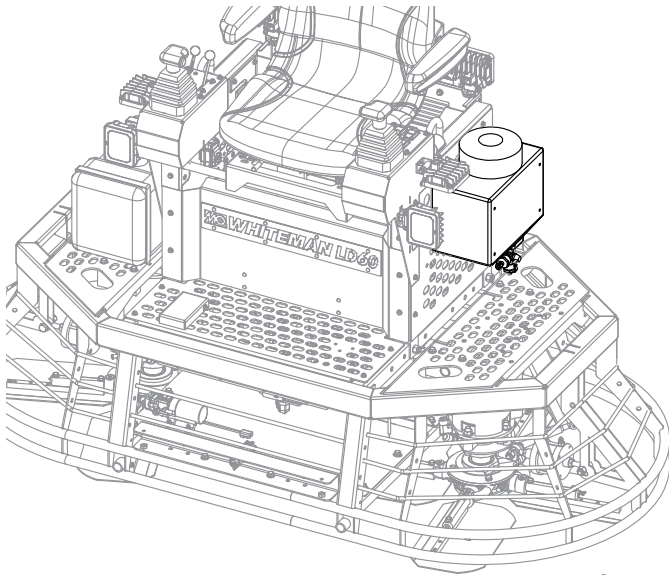
SPRAY PUMP/EDGER ASSY.



SPRAY PUMP/EDGER ASSY.

<u>NO.</u>	<u>PART NO.</u>	<u>PART NAME</u>	<u>QTY.</u>	<u>REMARKS</u>
1	15518-004	NUT, NYLOC, M4-.7	4	
2	15538	CLAMP, HOSE WORM # 6	1	
3	28922-058	WASHER, M5	4	
4	30547	PUMP ASSEMBLY	1	
5	32976	SCREW, HFS M10-1.5 X 25 - 10.9	6	
6	42325	SCREW, HHC M6-1.0 X 20, CAPTIVE WASHER	1	
7	42353	NUT, HEX, SERRATED-FLANGE, M10- 1.5	2	
8	42496	NUT, BLIND, HEX, M6-1.0 X 0.7 - 4.2 GRIP	1	
9	42894	SCREW, HHC M4-0.7 X 20MM	4	
10	45472	NOZZLE, TEEJET BODY, SINGLE	1	
11	45474	SPRAY TIP, CAP W/ GASKET	1	
12	45477	BRACKET W/A, SPRAY/EDGER	1	
13	45495	PAN, BELLY 6 FOOT	1	
14	45605	MOUNT, NOZZLE TAB	1	
15	49247	SPRAY, FLAT TIP BROWN	1	
16	15520-050	SCREW, HHC M8-1.25 X 50MM	2	
17	0300 B	WASHER, FLAT SAE 5/16	2	
18	21369	BEARING, SEALED 5/16 ID X 7/8 OD	8	
19	21189	WHEEL, 2.13 OD X 1.25 W	2	
20	60021	HOSE, 3/8 ID x 5/8OD, BRAIDED PVC	1.....	1 FT. 17 IN.

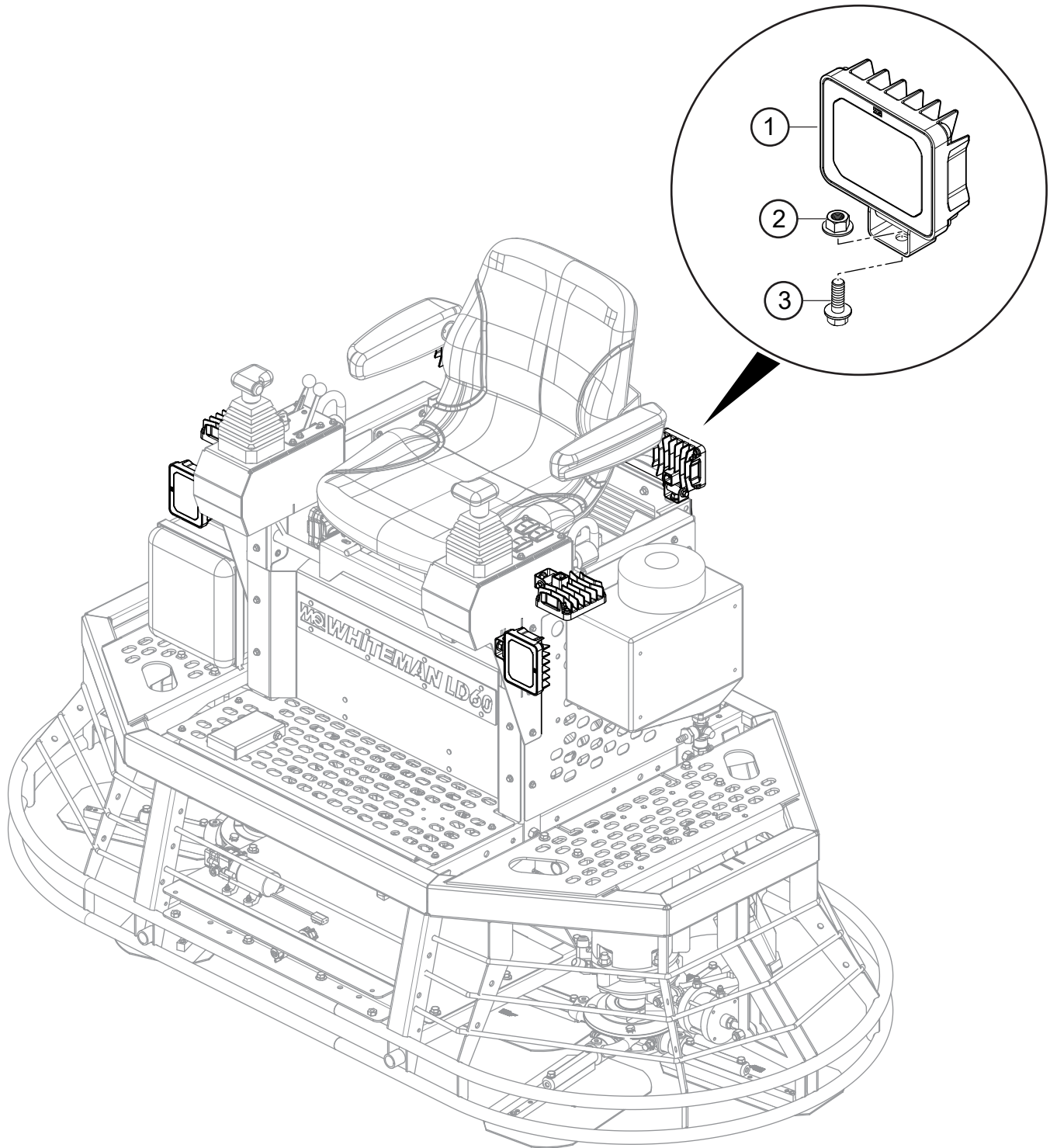
RETARDANT TANK ASSY.



RETARDANT TANK ASSY.

<u>NO.</u>	<u>PART NO.</u>	<u>PART NAME</u>	<u>QTY.</u>	<u>REMARKS</u>
1	15538	CLAMP, HOSE WORM # 6	2	
2	16585	FITTING, BUSH 1/2FP X 3/4MP STEEL	1	
3	34002	SCREW, HHFS 5/16-18 x 1/2 GR 5	4	
4	45200	TANK, 3 GAL. LARGE MOUTH RETARDANT	1	
5	48650	3-WAY DIVERter VALVE, 1/2 MNPT	1	
6	48651	FITTING, 1/2" FNPT X 3/8" BARB	1	
7	48652	FITTING, 1/2" FNPT X 3/8" BARB, 90°	1	
8	60021	HOSE, 3/8 ID x 5/8OD, BRAIDED PVC	1.....	4 FT. 58 IN.
9	60021	HOSE, 3/8 ID x 5/8OD, BRAIDED PVC	1.....	1 FT.

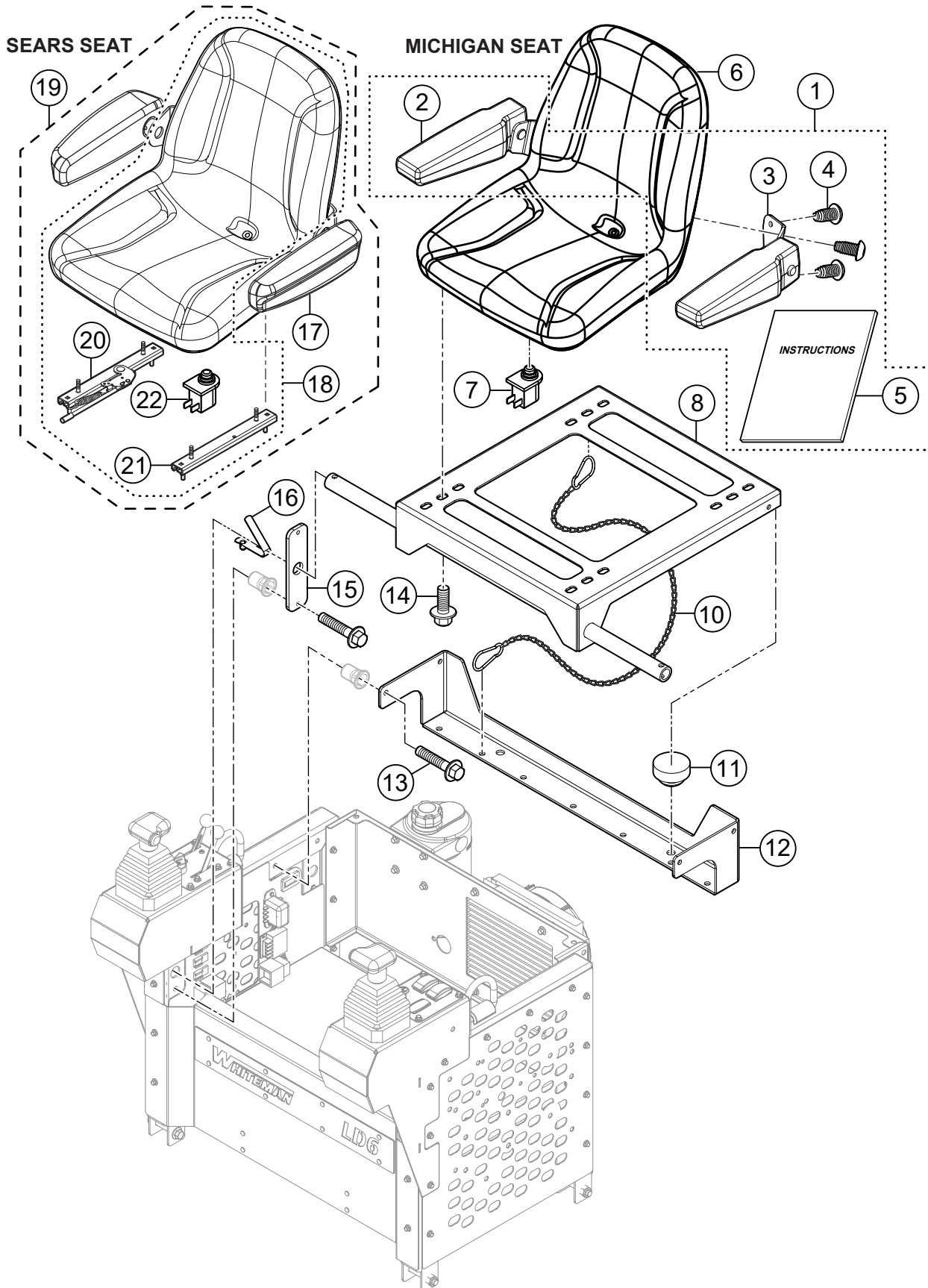
LIGHT ASSY.



LIGHT ASSY.

<u>NO.</u>	<u>PART NO.</u>	<u>PART NAME</u>	<u>QTY.</u>	<u>REMARKS</u>
1	45573	LIGHT, 4" SQ. LED 100°	6	
2	42353	NUT, HEX. SERRATED FLANGE M10-1.5	6	
3	45632	SCREW, HFS M10-1.5 X 20 CLASS 8.8	6	

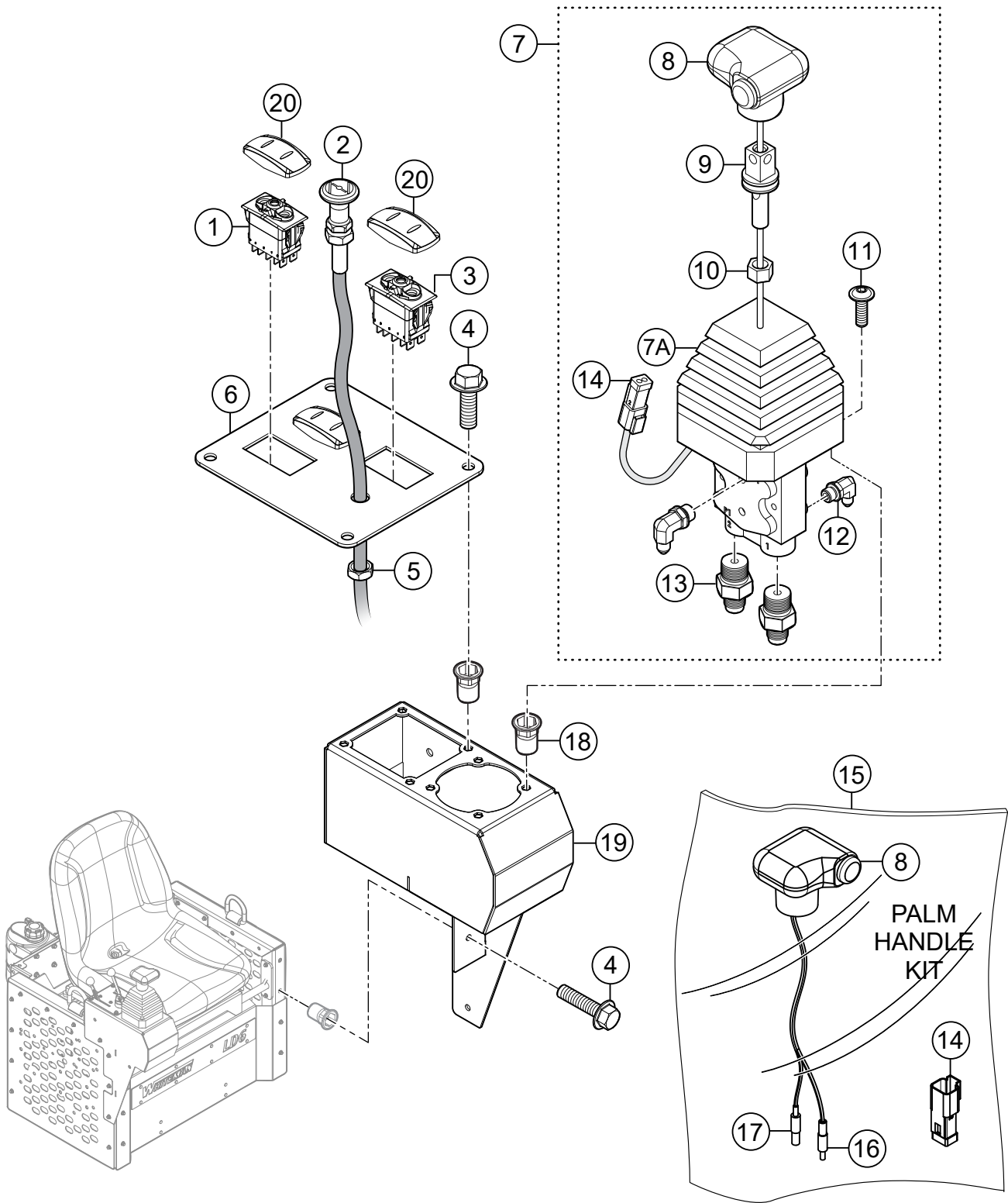
SEAT FRAME ASSY.



SEAT FRAME ASSY.

<u>NO.</u>	<u>PART NO.</u>	<u>PART NAME</u>	<u>QTY.</u>	<u>REMARKS</u>
1	21868	ARMREST KIT, MICHIGAN, OPTIONAL	1.....	INCLUDES ITEMS W/@
2@	21867	ASSEMBLY, ARMREST, RH, MICHIGAN	1	
3@	21866	ASSEMBLY, ARMREST, LH, MICHIGAN	1	
4@	21869	SCREW, SELF-TAPPING, 5/16-18	6	
5@	45720	INSTRUCTIONS, ARMREST KIT	1	
6	21860	SEAT, BASIC MICHIGAN V-2805 SERIES	1.....	NO LONGER AVAILABLE
7	21870	KILL SWITCH, DELTA SYSTEMS 6440-62	1	
8	45425	FRAME, SEAT	1	
10	52099	CABLE ASSY., SEAT STOP	1	
11	21597	BUMPER, STEM 1.0"D X .5S X .31	2	
12	45436	BRACE, SEAT CROSS	1	
13	43724	SCREW, HHFS M6-1.0 X 25MM CLASS 8.8	8	
14	34002	SCREW, HHF 5/16-18 X 1/2", GR 5	4	
15	45428	PLATE, SEAT BEARING	2	
16	45569	CONNECTOR, QUICK RELEASE, .25	2	
17\$	34792	ARMREST KIT, SEARS	1	
18\$	32963-SK	SEAT, ADJUSTABLE W/O ARMS, SEARS	1.....	INCLUDES ITEMS W/#
19	32960-SK	SEAT, ADJUSTABLE W/ ARMS, SEARS	1.....	INCLUDES ITEMS W/\$
20#\$	32965	SEAT ADJUSTER RH, SEARS	1	
21#\$	32964	SEAT ADJUSTER LH, SEARS	1	
22#\$	32962	KILL SWITCH, SEARS	1	

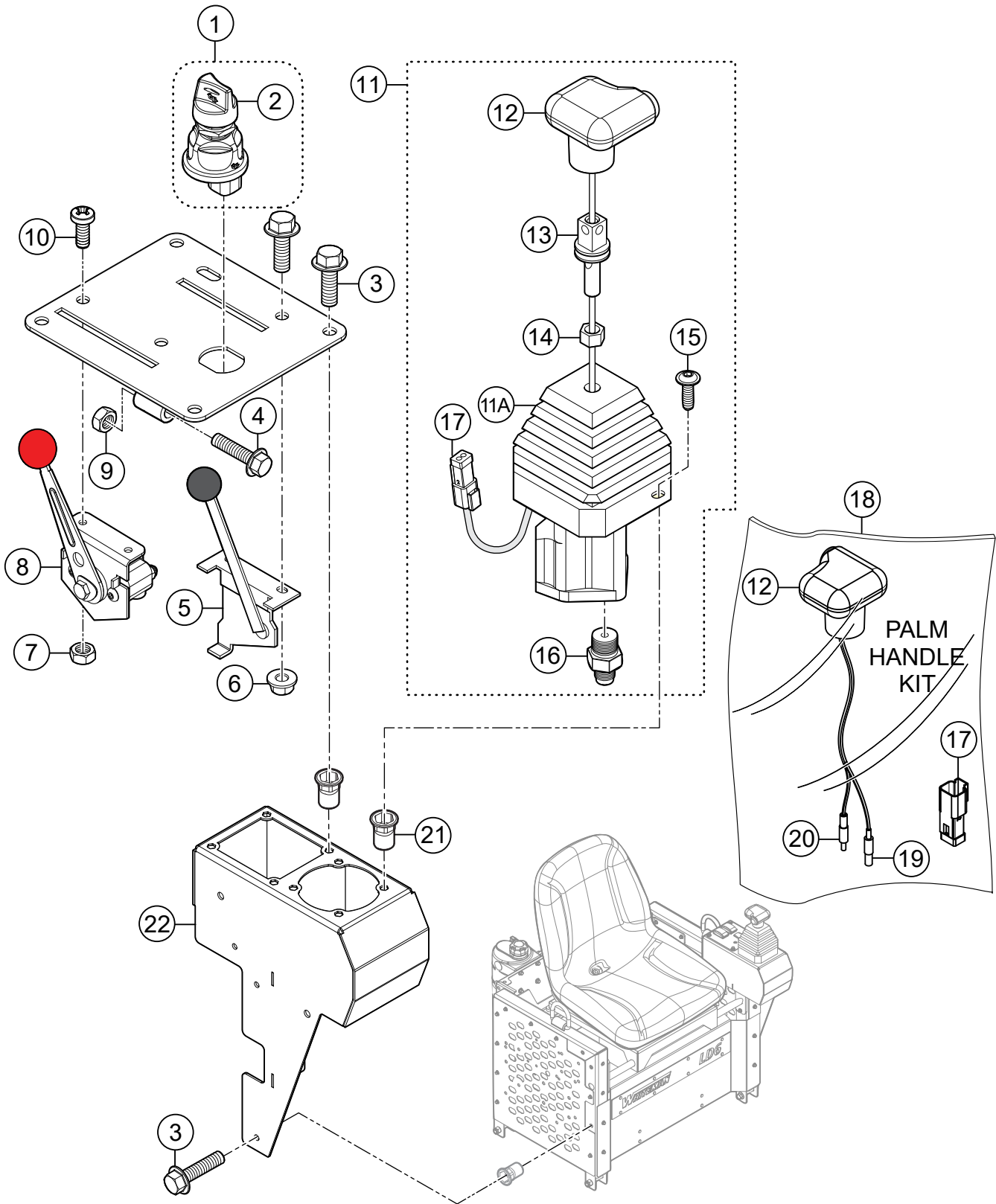
LEFT-HAND CONTROL BOX ASSY.



LEFT-HAND CONTROL BOX ASSY.

<u>NO.</u>	<u>PART NO.</u>	<u>PART NAME</u>	<u>QTY.</u>	<u>REMARKS</u>
1	42178-007	SWITCH BASE, 10 TERM, MOM ON/OFF	2	
2	35280	CABLE, CHOKE 35"	1	
3	42178-006	SWITCH BASE, 10 TERM, ON/OFF DP	1	
4	42325	SCREW, HHC M6-1.0 X 20	9	
5	2199	NUT, HEX JAM 3/8-24	1	
6	45444	PANEL, SWITCH, LH	1	
7	45437-SK	ASSY., VALVE, LH STEERING W/SWITCH	1	INCLUDES ITEMS W/@
7A@	21631	BOOT, STEERING HANDLE	1	
8@#	22001	HANDLE, PALM W/SWITCH, LEFT	2	
9@	21053	ADAPTOR, LH PALM HANDLE	1	
10@	16083	NUT, HEX M12-1.75 NO PLATE	1	
11@	42325	SCREW, BHSC, M6-1.0 X 20, FLANGED	4	
12@	37407	FITTING, 4MJ X 6MO - 90	2	
13@	367470	FITTING, STR 4MJ - 6MO	2	
14@#	37402	CONNECTOR KIT, MALE 2 POSITION	2	
15	20150	KIT, PALM HANDLE W/SWITCH, LEFT	1	INCLUDES ITEMS W/#
16#	1318	TERMINAL, BULLET, FEMALE, 18-22	2	
17#	4692	TERMINAL, BULLET, .156 MALE, 14-16 GA	2	
18	42496	NUT, BLIND, HEX, M6-1.0 X 0.7 - 4.2 GRIP	8	
19	45442	STEERING BOX, LH	1	
20	42179-001	ACTUATOR, ROCKER SW.	3	

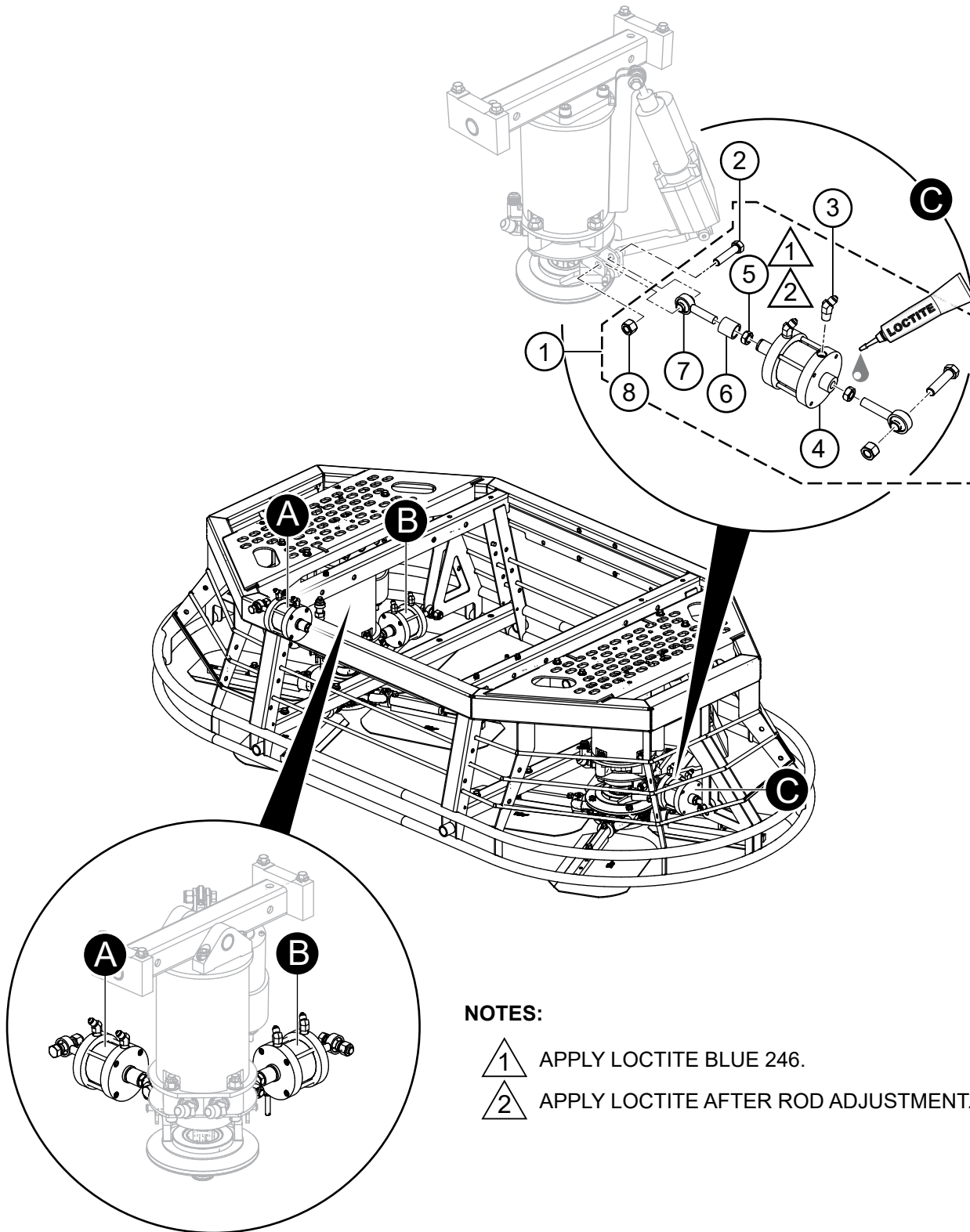
RIGHT-HAND CONTROL BOX ASSY.



RIGHT-HAND CONTROL BOX ASSY.

<u>NO.</u>	<u>PART NO.</u>	<u>PART NAME</u>	<u>QTY.</u>	<u>REMARKS</u>
1	23959	SWITCH, IGNITION.....	1.....	INCLUDES ITEMS W/@
2@	23959-01	KEY, IGNITION	1	
3	42325	SCREW, HFS M6-1.0 X 20	10	
4	42354	SCREW HFS, M6-1.0 X 35 CLASS 8.8	1	
5	15168	HANDLE ASSY., CONTROL, W/KNOB	1	
6	42352	NUT, HEX, SERRATED-FLANGE, M6-1.0	2	
7	10019	NUT, NYLOC 10-32	2	
8	45498	LEVER, SPEED CONTROL	1	
9	17113	NUT, HEX FINISH M6-1.00 ZN	1	
10	5065 B	SCREW, PHP 10-32 X 1/2"	2	
11	45438-SK	VALVE ASSY., RH STEERING W/SWITCH.....	1.....	INCLUDES ITEMS W/#
11A#	21631	BOOT, STEERING HANDLE	1	
12#+	12999	HANDLE, PALM W/SWITCH, RIGHT	2	
13#	20834	ADAPTOR, RH PALM HANDLE	1	
14#	16083	NUT, HEX M12-1.75 NO PLATE	1	
15#	42325	SCREW, BHSC, M6-1.0 X 20, FLANGED	4	
16#	367470	FITTING, STR 4MJ - 6MO	6	
17#+	37402	CONNECTOR KIT, MALE 2 POSITION	2	
18	20155	KIT, PALM HANDLE W/SWITCH, RIGHT.....	1.....	INCLUDES ITEMS W/+
19+	4692	TERMINAL, BULLET, .156 MALE, 14-16 GA	2	
20+	1318	TERMINAL, BULLET, FEMALE, 18-22	2	
21	42496	NUT, BLIND, HEX, M6-1.0 X 0.7 - 4.2 GRIP	8	
22	45439-001	STEERING BOX, RH	1	

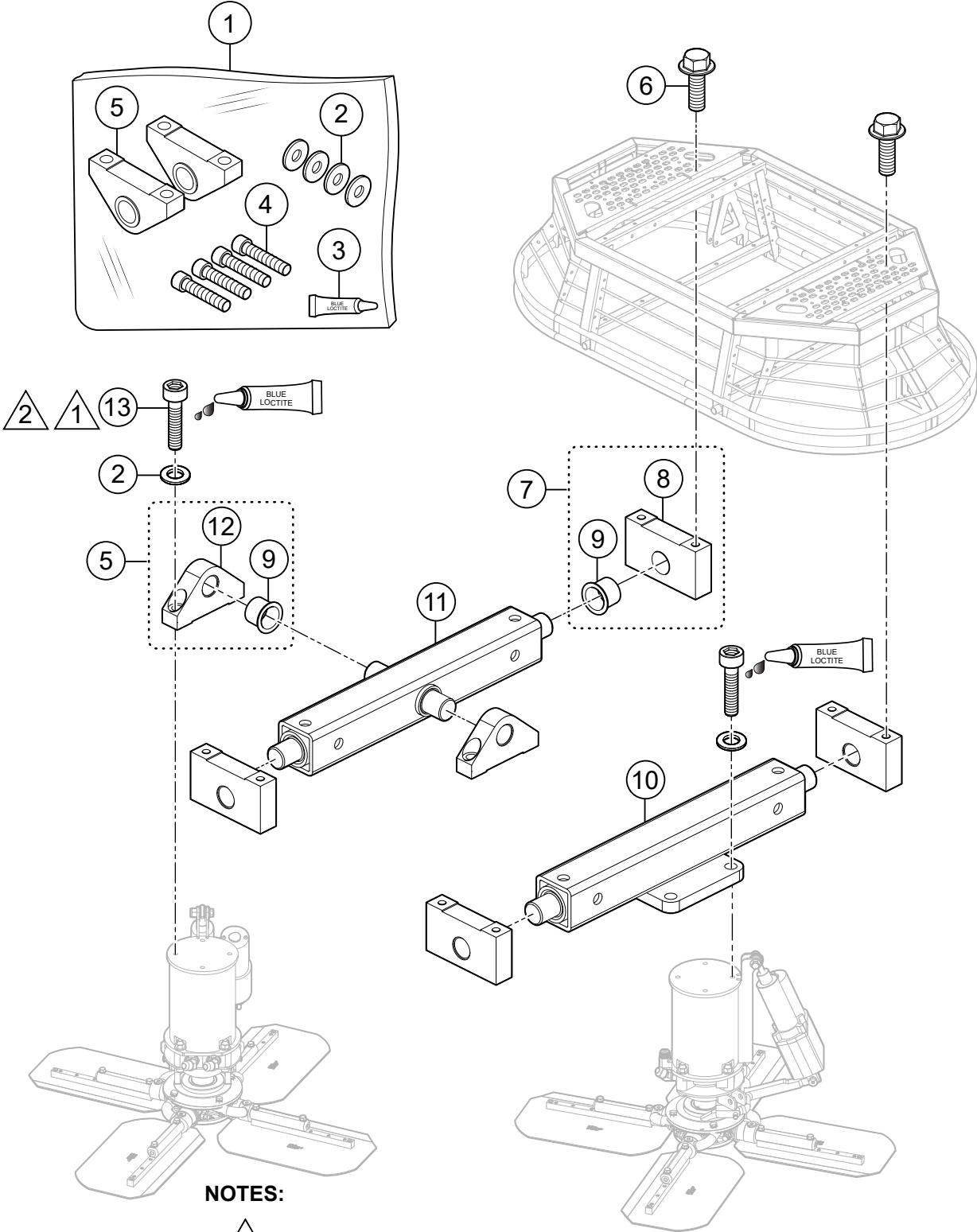
HYDRAULIC STEERING ASSY.





HYDRAULIC STEERING ASSY.

<u>NO.</u>	<u>PART NO.</u>	<u>PART NAME</u>	<u>QTY.</u>	<u>REMARKS</u>
1	45457	CYLINDER ASSY., HYD. STEERING.....	3	INCLUDES ITEMS W/@
2@	13178	SCREW, HHC 1/2-13 X 2-1/4"	6	
3@	45466	FITTING, 4MJ-4MP 45°	6	
4@	45585	MQ CYLINDER, 2.5" BORE X 1.5" STR X 0.75"	3	
5@	11146	NUT, HEX JAM 1/2-20 PLATED	6	
6@	23261	SPACER, STEERING CYLINDER	3	
7@	21944	ROD END, 1/2-20 M RH W/CUSTOM BALL	6	
8@	10176	NUT, NYLOC 1/2-13	6	

PIVOT ASSY.



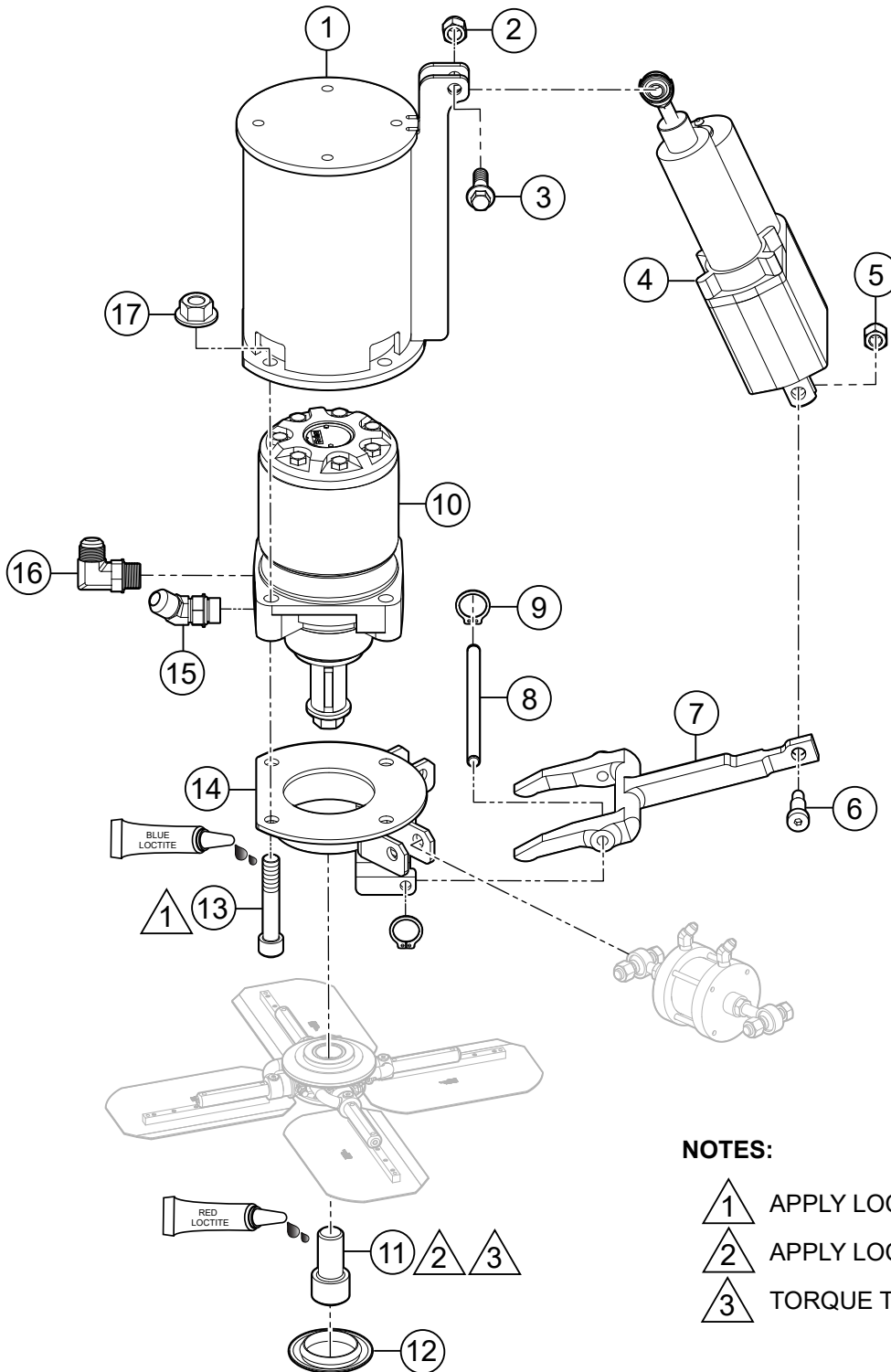
NOTES:

-  APPLY LOCTITE BLUE 246.
-  TORQUE TO 50 LBF·FT (68 N·M).

PIVOT ASSY.

<u>NO.</u>	<u>PART NO.</u>	<u>PART NAME</u>	<u>QTY.</u>	<u>REMARKS</u>
1	42280-SK	KIT, BLOCK MOTOR MOUNT 2 DOF PIVOT.....	1	INCLUDES ITEMS W/@
2@	43180	WASHER, FLAT M12, DIN 433	12	
3@	1477	LOCTITE 242 BLUE .5CC	1	
4@	43181	SCREW, SHC M12 X 60, DIN912, GR 12.9	4	
5@	42280	ASSY., BLOCK, MOTOR MOUNT 2 DOF PIVOT.....	4	INCLUDES ITEMS W/#
6	32976	SCREW, HFS M10-1.5 X 25 CLASS 10.9	8	
7	43152	PIVOT BLOCK ASSY., MOTOR MOUNT W/BUSHING.....	4	INCLUDES ITEMS W/+
8+	43151	PIVOT BLOCK, MOTOR MOUNT	1	
9#+	10221	BUSHING, GLIDE IGUS #TFI-1618-16	8	
10	45566	TRUNNION, SOF, W/A	1	
11	45560	TRUNNION, DOF, W/A	1	
12#	3942280	PIVOT BLOCK, MOTOR MOUNT	4	
13	17105	SCREW, SHC M12-1.75 X 35 SS, DIN912	8	

LEFT-SIDE HYDRAULIC MOTOR ASSY.



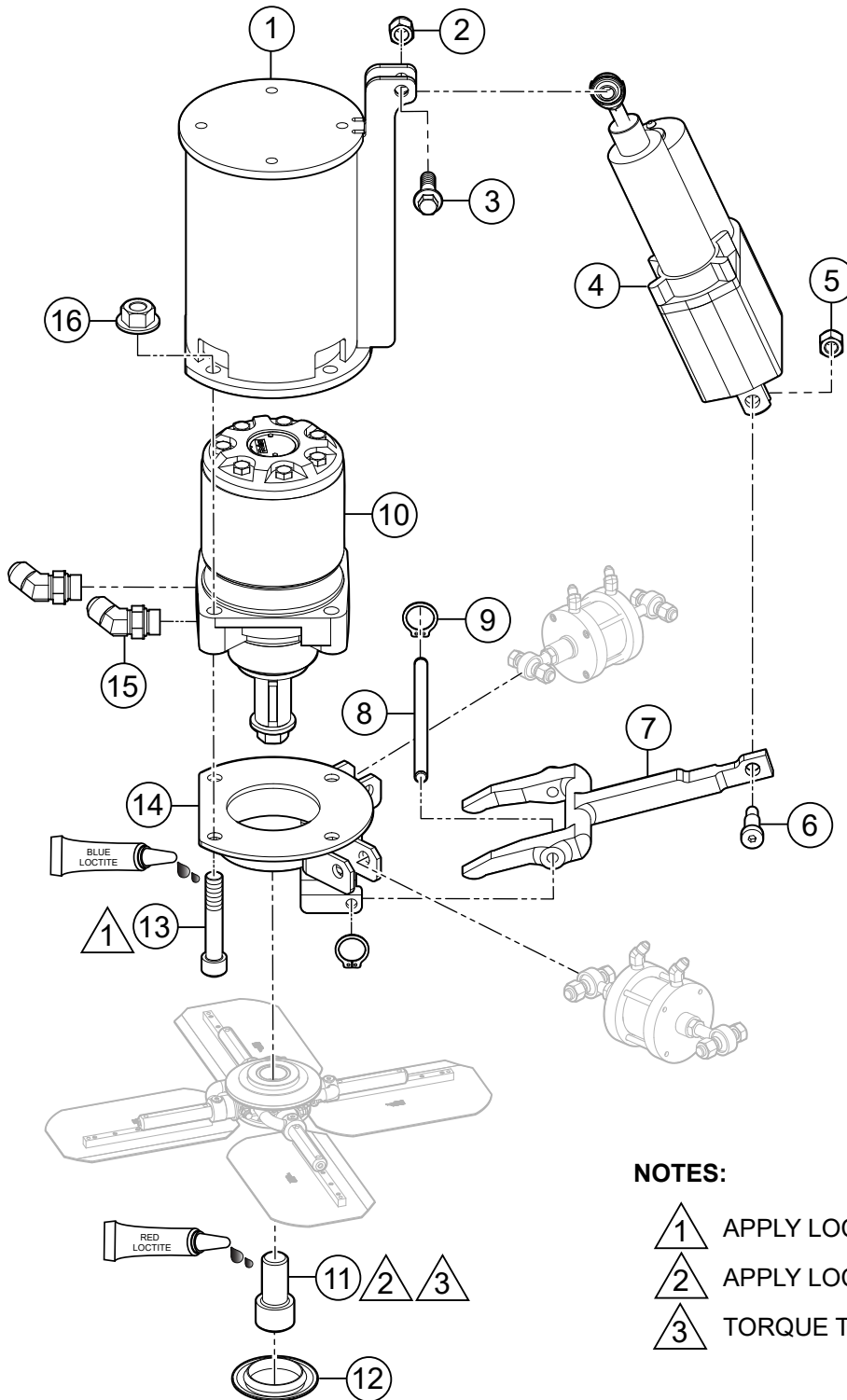
NOTES:

- 1 APPLY LOCTITE BLUE 246.
- 2 APPLY LOCTITE RED 272.
- 3 TORQUE TO 175 LBF-FT (237 N·M).

LEFT-SIDE HYDRAULIC MOTOR ASSY.

<u>NO.</u>	<u>PART NO.</u>	<u>PART NAME</u>	<u>QTY.</u>	<u>REMARKS</u>
1	45452	HOUSING W/A, UPPER ROTOR	1	
2	021112140	NUT, HEX, NYLOC, M12-1.75	1	
3	42351	SCREW, HFS, ZP, M12-1.75 X 40, CLASS 8.8	1	
4	45497	ACTUATOR, LINEAR, PA-17, 2"	1	
5	10133	NUT, NYLOC 3/8-16	1	
6	2527	SCREW, SHC, SHOULDER, 1/2 X 1, 3/8-16	1	
7	45496	YOKE	1	
8	20801	PIN, YOKE	1	
9	20802	RING, SNAP, TRUARC 5100-37	2	
10	45468	MOTOR, HYDRAULIC, TG, 360 CC	1	
11	43760	SCREW, SHC 5/8-18 X 1.25	1	
12	45494	PLUGCAP, BOTTOM SPIDER, 1.00"	1	
13	17332	SCREW, SHC M12-1.75 X 70 SS, DIN912	4	
14	45555	HOUSING, LOWER ROTOR, W/A	1	
15	16336	FITTING, 45 10MJ-10MO	1	
16	3322	FITTING, 90 10MJ-10MO	1	
17	42451	NUT, HEX, SERRATED-FLANGE, M12-1.75	4	

RIGHT-SIDE HYDRAULIC MOTOR ASSY.



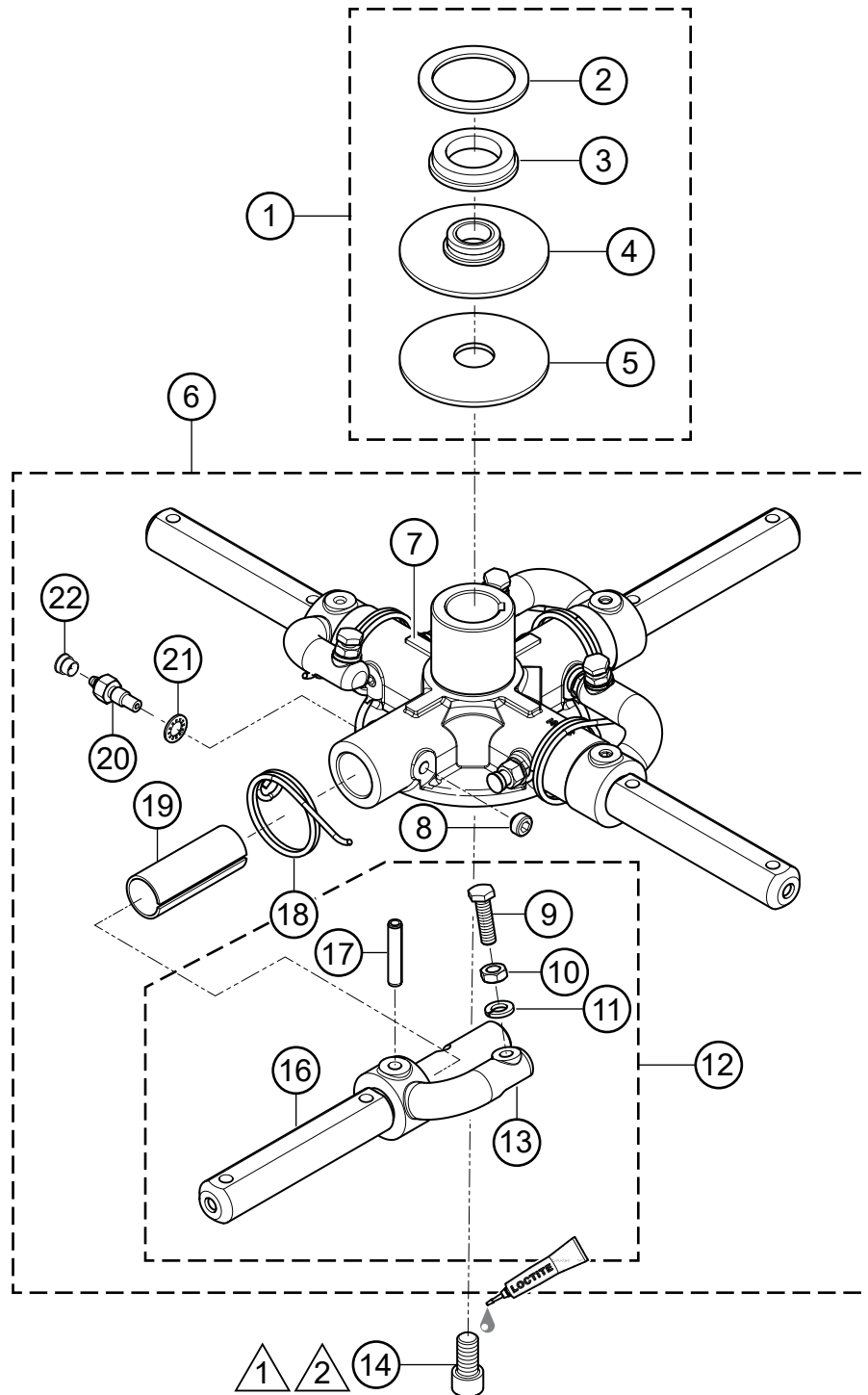
NOTES:

- 1** APPLY LOCTITE BLUE 246.
- 2** APPLY LOCTITE RED 272.
- 3** TORQUE TO 175 LBF-FT (237 N·M).



RIGHT-SIDE HYDRAULIC MOTOR ASSY.

<u>NO.</u>	<u>PART NO.</u>	<u>PART NAME</u>	<u>QTY.</u>	<u>REMARKS</u>
1	45452	HOUSING W/A, UPPER ROTOR	1	
2	021112140	NUT, HEX, NYLOC, M12-1.75	1	
3	42351	SCREW, HFS, ZP, M12-1.75 X 40, CLASS 8.8	1	
4	45497	ACTUATOR, LINEAR, PA-17, 2"	1	
5	10133	NUT, NYLOC 3/8-16	1	
6	2527	SCREW, SHC, SHOULDER, 1/2 X 1, 3/8-16	1	
7	45496	YOKE	1	
8	20801	PIN, YOKE	1	
9	20802	RING, SNAP, TRUARC 5100-37	2	
10	45468	MOTOR, HYDRAULIC, TG, 360 CC	1	
11	43760	SCREW, SHC 5/8-18 X 1.25	1	
12	45494	PLUGCAP, BOTTOM SPIDER, 1.00"	1	
13	17332	SCREW, SHC M12-1.75 X 70 SS, DIN912	4	
14	45555	HOUSING, LOWER ROTOR, W/A	1	
15	16336	FITTING, 45 10MJ-10MO	2	
16	42451	NUT, HEX, SERRATED-FLANGE, M12-1.75	4	

LEFT-SIDE SPIDER ASSY.



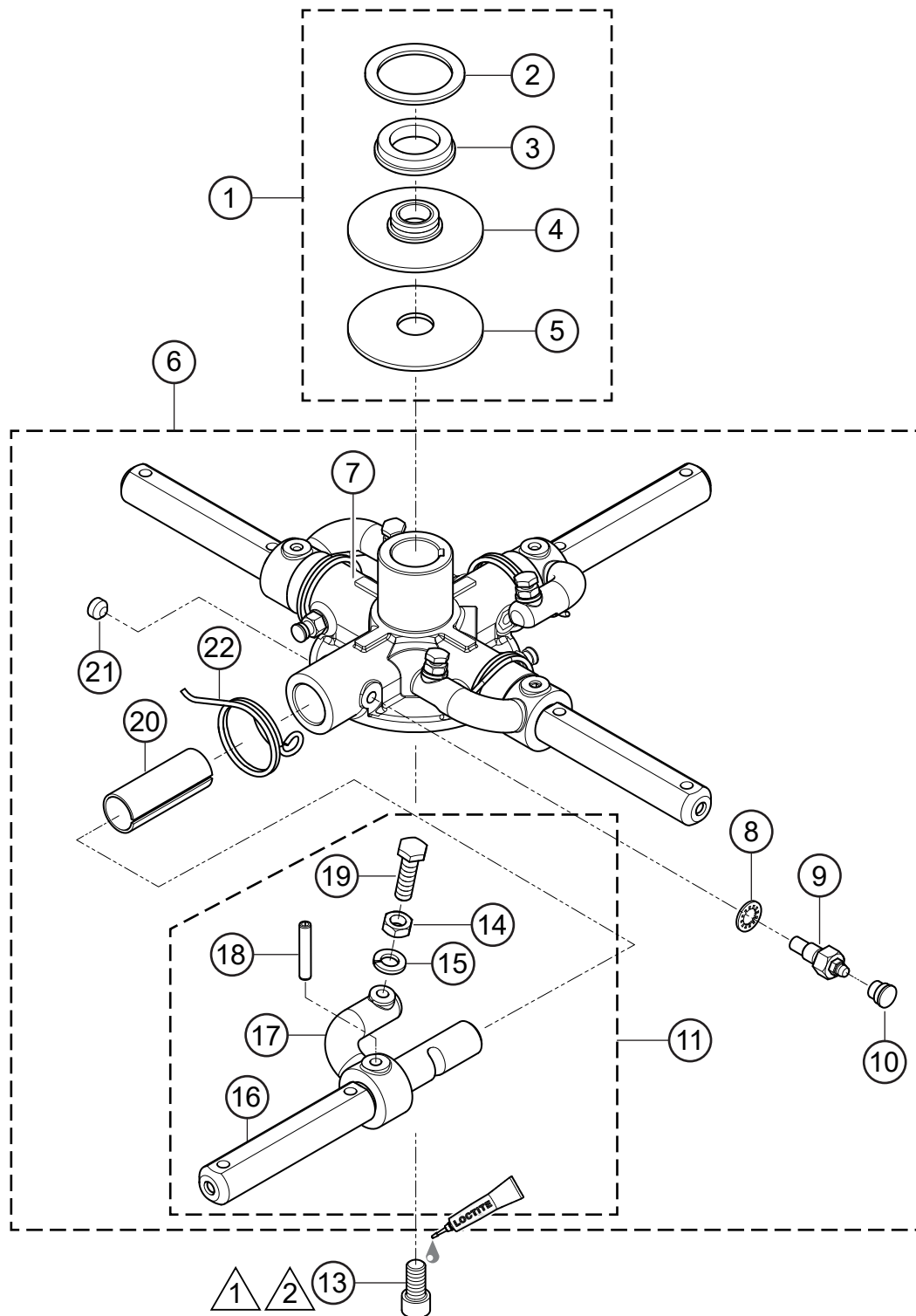
NOTES:

-  APPLY LOCTITE RED 272.
-  TORQUE TO 175 LBF·FT (237 N·M).

LEFT-SIDE SPIDER ASSY.

<u>NO.</u>	<u>PART NO.</u>	<u>PART NAME</u>	<u>QTY.</u>	<u>REMARKS</u>
1	10968	THRUST ASSEMBLY.....	1.....	INCLUDES ITEMS W/@
2@	12208	WEAR RING, SEALED BEARING	1	
3@	12778	BEARING, 65MM X 100MM, FLANGED	1	
4@	10793	ASSY., THRUST COLLAR	1	
5@	1154 A	PLATE, WEAR THRUST COLLAR	1	
6	45462	SPIDER ASSY., 4BLD LH.....	1.....	INCLUDES ITEMS W/#
7#	45568	SPIDER PLATE, 1-1/4 SHAFT 4BLD	1	
8#	11602	SCREW, SHS 3/8-16 X 1/4"	4	
9#+	0164 B	SCREW, TROWEL ADJUSTMENT 3/8-16	4	
10#+	1876	NUT, HEX JAM 3/8-16 CLASS 2B	4	
11#+	0166 A	WASHER, LOCK, 3/8" MED.	4	
12#	45459	TROWEL ARM ASSY., LH.....	4.....	INCLUDES ITEMS W/+
13#+	1163	LEVER, TROWEL ARM, RIGHT HAND	4	
14	43760	SCREW, SHC 5/8-18 X 1.25"	1	
16#+	2826	ARM, TROWEL	4	
17#+	4164	PIN, SLOTTED SPRING, 5/16 X 1-3/4" NP	4	
18#	1316	SPRING, LS ARM RETURN	4	
19#	1157 A	BUSHING, TROWEL ARM	4	
20#	1322	SCREW ASSY., TROWEL ARM RETAINING	4	
21#	1875	WASHER, INT. SHKP, 3/8"	4	
22#	1162 A	CAP, GREASE ZERK, #2 YELLOW	4	

RIGHT-SIDE SPIDER ASSY.



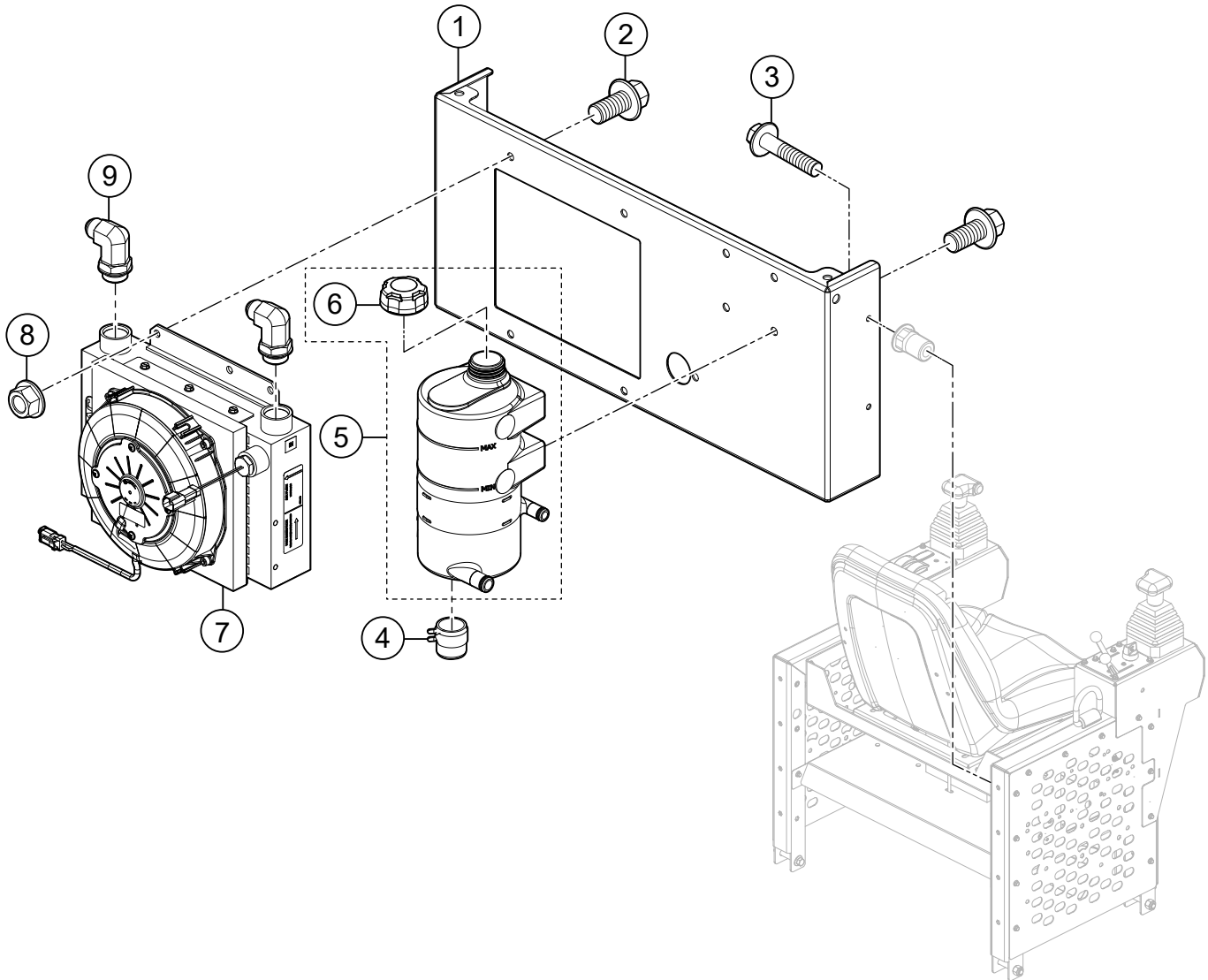
NOTES:

- 1 APPLY LOCTITE RED 272.
- 2 TORQUE TO 175 LBF-FT (237 N·M).

RIGHT-SIDE SPIDER ASSY.

<u>NO.</u>	<u>PART NO.</u>	<u>PART NAME</u>	<u>QTY.</u>	<u>REMARKS</u>
1	10968	THRUST ASSEMBLY.....	1.....	INCLUDES ITEMS W/@
2@	12208	WEAR RING, SEALED BEARING	1	
3@	12778	BEARING, 65MM X 100MM, FLANGED	1	
4@	10793	ASSY., THRUST COLLAR	1	
5@	1154 A	PLATE, WEAR THRUST COLLAR	1	
6	45461	SPIDER ASSY., 4BLD RH	1.....	INCLUDES ITEMS W/#
7#	45568	SPIDER PLATE, 1-1/4" SHAFT 4BLD	1	
8#	1875	WASHER, INT. SHKP, 3/8"	4	
9#	1322	SCREW ASSY., TROWEL ARM RETAINING	4	
10#	1162 A	CAP, GREASE ZERK, #2 YELLOW	4	
11#	45460	TROWEL ARM ASSY., RH.....	4.....	INCLUDES ITEMS W/+
13	43760	SCREW, SHC 5/8-18 X 1.25"	1	
14#+	1876	NUT, HEX JAM 3/8-16 CLASS 2B	4	
15#+	0166 A	WASHER, LOCK, 3/8" MED.	4	
16#+	2826	ARM, TROWEL	4	
17#+	1555	LEVER TROWEL ARM, LEFT HAND	4	
18#+	4164	PIN, SLOTTED SPRING, 5/16 X 1-3/4" NP	4	
19#+	0164 B	SCREW, TROWEL ADJUSTMENT 3/8-16	4	
20#	1157 A	BUSHING, TROWEL ARM	4	
21#	11602	SCREW, SHS 3/8-16 X 1/4"	1	
22#	1317	SPRING, RS ARM RETURN	4	

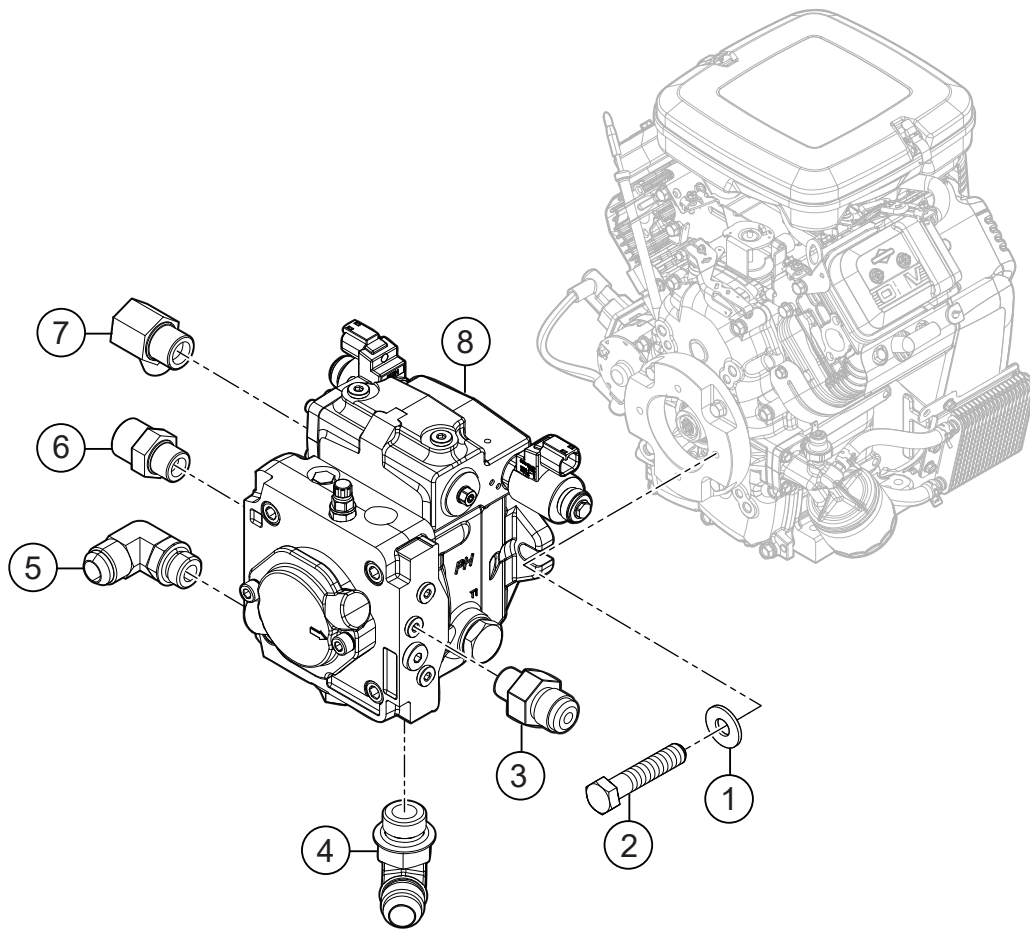
HYDRAULIC TANK AND COOLER ASSY.



HYDRAULIC TANK AND COOLER ASSY.

<u>NO.</u>	<u>PART NO.</u>	<u>PART NAME</u>	<u>QTY.</u>	<u>REMARKS</u>
1	45419	BRACKET, HYD COOLER	1	
2	42342	SCREW, HHFS, M8-1.25 X 16 GR 8.8	8	
3	42325	SCREW, HHC M6-1.0 X 20	4	
4	45645	CAP, 8GPM CYCLONE, DRAIN	1	
5	45132	CYCLONE, HYD. RESERVOIR 8 GPM.....	1.....	INCLUDES ITEMS W/@
6@	45132-01	RESERVOIR CAP	1	
7	45326	HEAT EXCHANGER, HYDRAULIC	1	
8	23802	NUT, HEX FLANGE M8-1.25 SERRATED	4	
9	22145	FITTING, 90 -12MO X- 10MJ	2	

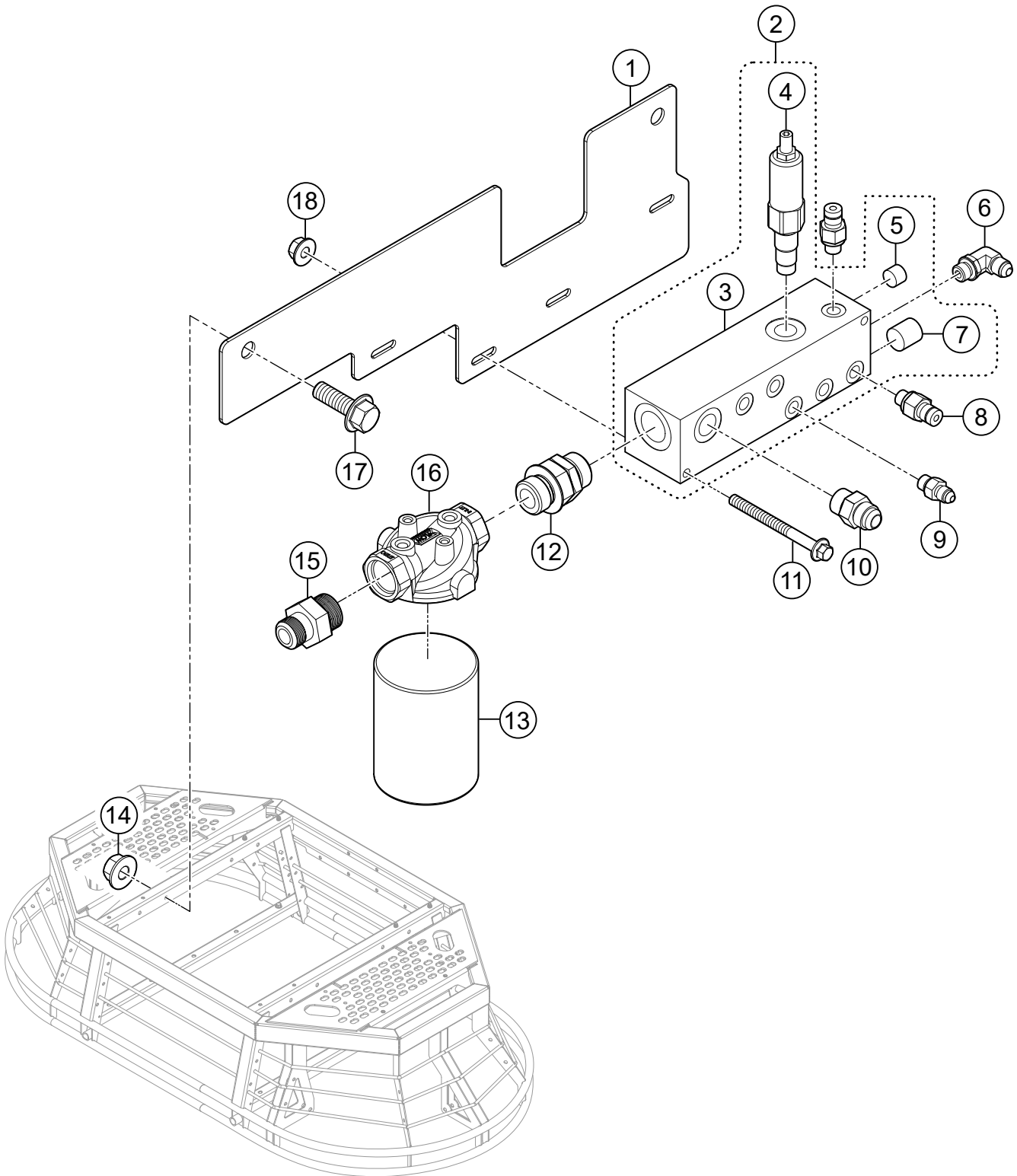
HYDRAULIC PUMP ASSY.



HYDRAULIC PUMP ASSY.

<u>NO.</u>	<u>PART NO.</u>	<u>PART NAME</u>	<u>QTY.</u>	<u>REMARKS</u>
1	933242	WASHER, FLAT SAE 3/8" GRD 9 YZ	2	
2	915107	SCREW, HHC 3/8-16 X 1-1/4" GR8	2	
3	11887	FITTING, STR 6MJ-4MO	1	
4	45626	FITTING, 90 -12MO X -12MJ	1	
5	45576	FITTING, 10MJICX-8MORB	1	
6	16587	FITTING,STR 10MJ X 8MO	1	
7	26010	FITTING, 90 -10MOX-8MJ	1	
8	45465-SK	SERVICE KIT, PUMP, HYDRAULIC	1	

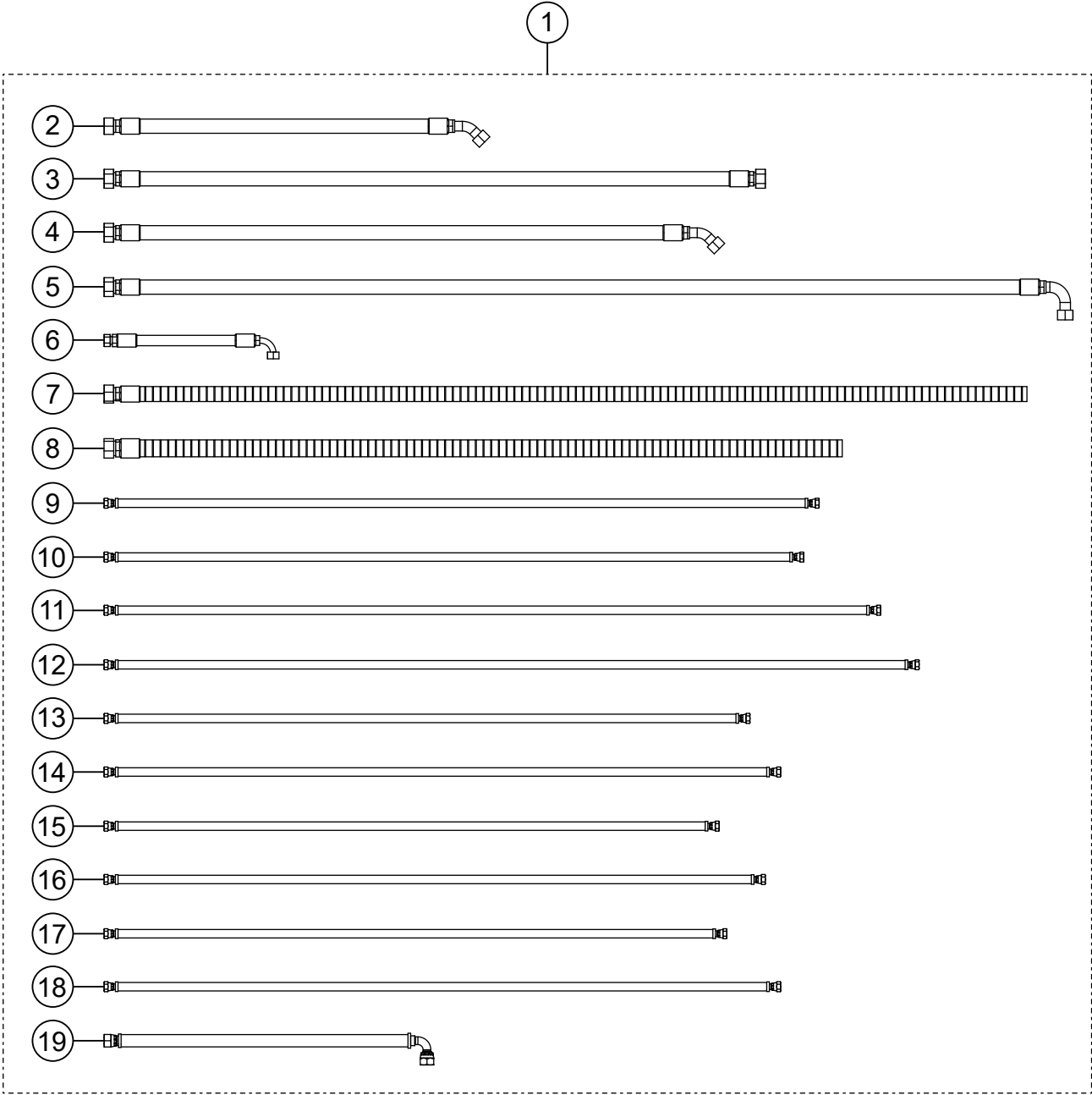
HYDRAULIC FILTER AND MANIFOLD ASSY.



HYDRAULIC FILTER AND MANIFOLD ASSY.

<u>NO.</u>	<u>PART NO.</u>	<u>PART NAME</u>	<u>QTY.</u>	<u>REMARKS</u>
1	45554	BRACKET, HYD. MANIFOLD	1	
2	45649	VALVE ASSY., STEERING HIC	1	INCLUDES ITEMS W/@
3@	45598	MANIFOLD, RETURN/STEERING	1	
4@	45467	VALVE ASSY., PRESSURE REDUCTION, STEERING	1	
5@	45643	FITTING, PLUG 1/16MP HEX SKT HD	1	
6	11722	FITTING, 90 6MJ-6MO	1	
7@	2113	FITTING, PLUG 1/8MP HEX SKT HD	1	
8	12546	FITTING, QD 4MO DIAGN PARKER PD341	2	
9	21095	FITTING, STR 4MJ - 4MO	4	
10	11749	FITTING, STR 8MJ-8MO	1	
11	42929	SCREW, HHFS M6-1.0 X 65	2	
12	45578	FITTING, STR, 12MORB X 12MORB	1	
13	45644	FILTER, 10 MICRON, SCHROEDER PZ10	1	
14	42451	NUT, HEX, SERRATED-FLANGE, M12-1.75	2	
15	21096	FITTING, STR 10MJ-12MO	1	
16	45624	HOUSING, FILTER, SAE-12 INLINE	1	
17	34317	SCREW, HHFS M12-1.75 X 20	2	
18	42352	NUT, HEX, SERRATED-FLANGE, M6 -1.0	2	

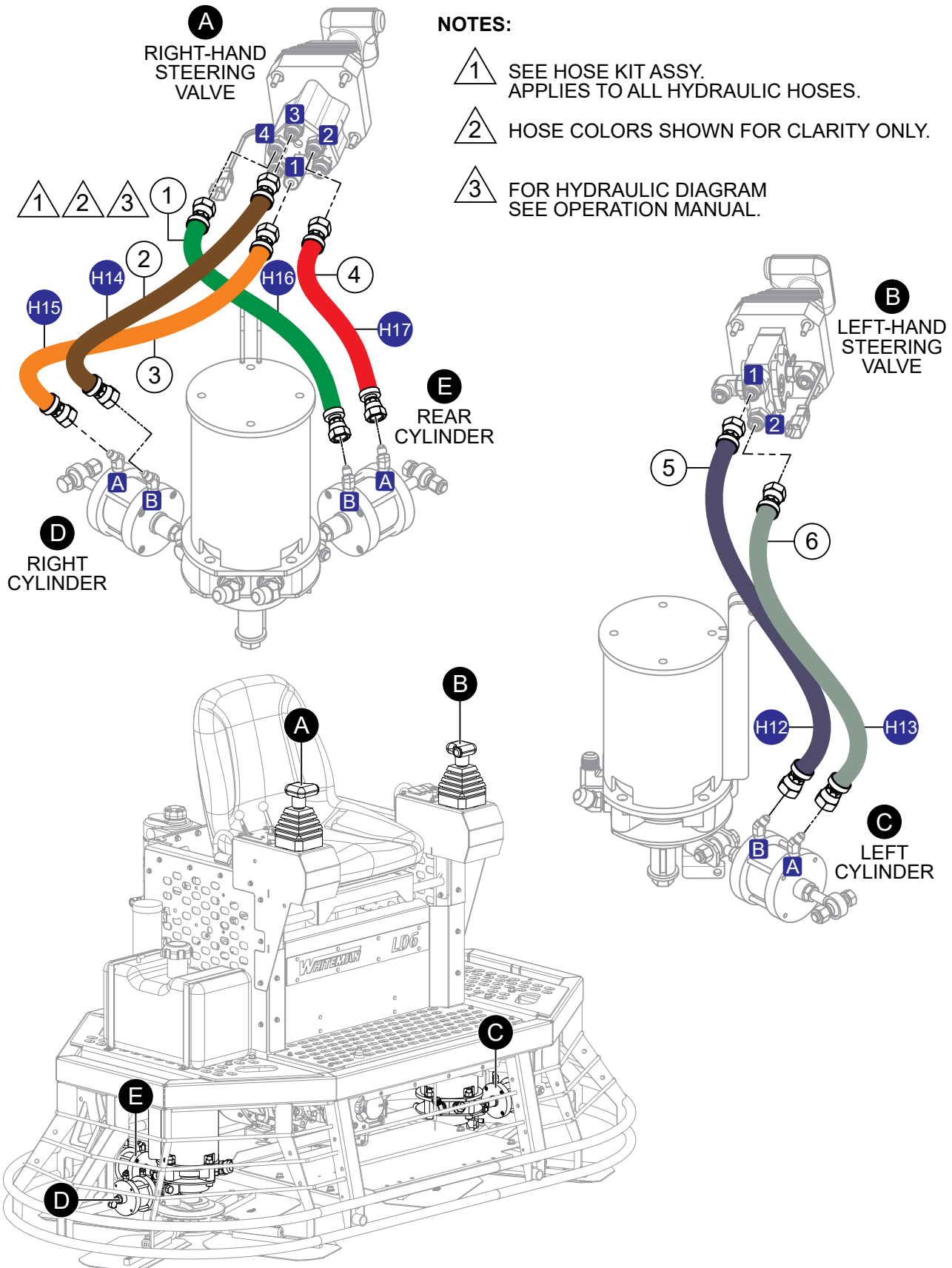
HYDRAULIC HOSE KIT ASSY. (COMPLETE)



HYDRAULIC HOSE KIT ASSY. (COMPLETE)

<u>NO.</u>	<u>PART NO.</u>	<u>PART NAME</u>	<u>QTY.</u>	<u>REMARKS</u>
1	45383	HOSE KIT ASSEMBLY	1.....	INCLUDES ITEMS W/@
2@	45384	HOSE ASSY., 5/8" X 24.75", -10FJIC X -10FJIC45	1.....	HOSE 1
3@	45385	HOSE ASSY., 5/8" X 43", -10FJIC X -10FJIC	1.....	HOSE 2
4@	45386	HOSE ASSY., 5/8" X 40", -10FJIC X -10FJIC45	1.....	HOSE 3
5@	45391	HOSE ASSY., 5/8" X 60.5", -10FJIC X -10FJIC	1.....	HOSE 4
6@	45588	HOSE ASSY., 1/4" X 45.5", -4FJIC X -4FJIC	1.....	HOSE 5
7@	45390	HOSE ASSY., 5/8" X 60", -10FJIC	1.....	HOSE 6
8@	45389	HOSE ASSY., 3/4" X 48", -12FJIC	1.....	HOSE 7
9@	45398	HOSE ASSY., 1/4" X 46.5", -4FJIC X -4FJIC	1.....	HOSE 8
10@	45388	HOSE ASSY., 3/8" X 11", -6FJIC X -6FJIC	1.....	HOSE 9
11@	45395	HOSE ASSY., 1/4" X 50.5", -4FJIC X -4FJIC	1.....	HOSE 10
12@	45396	HOSE ASSY., 1/4" X 53", -4FJIC X -4FJIC	1.....	HOSE 11
13@	45394	HOSE ASSY., 1/4" X 42", -4FJIC X -4FJIC	1.....	HOSE 12
14@	45397	HOSE ASSY., 1/4" X 44", -4FJIC X -4FJIC	1.....	HOSE 13
15@	45589	HOSE ASSY., 3/4" X 48", -12FJIC	1.....	HOSE 14
16@	45393	HOSE ASSY., 1/4" X 43", -4FJIC X -4FJIC	1.....	HOSE 15
17@	45399	HOSE ASSY., 1/4" X 40.5", -4FJIC X -4FJIC	1.....	HOSE 16
18@	45392	HOSE ASSY., 1/4" X 44", -4FJIC X -4FJIC	1.....	HOSE 17
19@	45387	HOSE ASSY., 1/2" X 21", -8FJIC X -8FJIC90	1.....	HOSE 18

HYDRAULIC HOSE ASSY. (HYD. STEERING CYLINDERS)



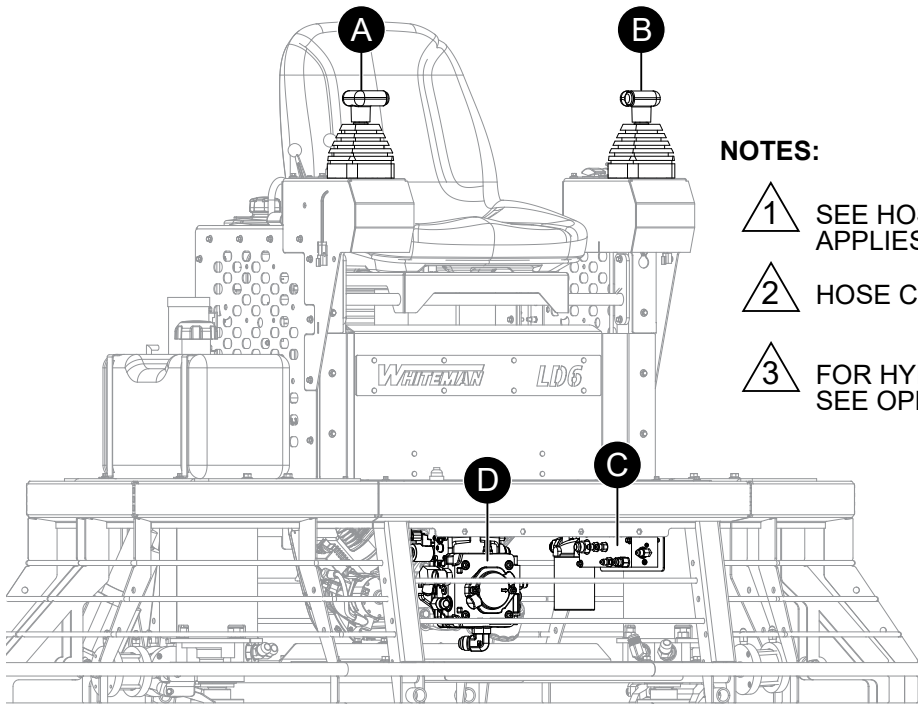
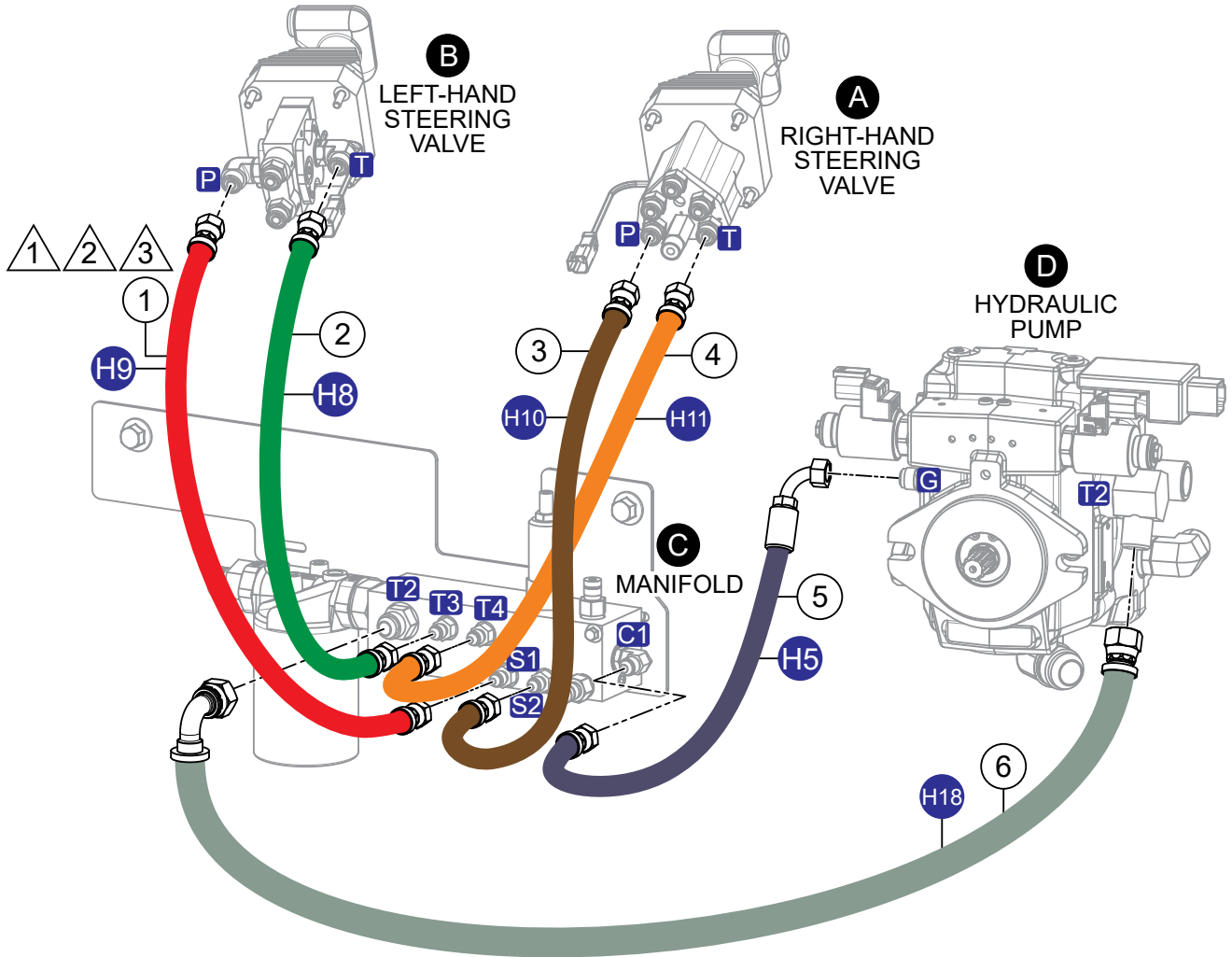
NOTES:

- 1 SEE HOSE KIT ASSY. APPLIES TO ALL HYDRAULIC HOSES.
- 2 HOSE COLORS SHOWN FOR CLARITY ONLY.
- 3 FOR HYDRAULIC DIAGRAM SEE OPERATION MANUAL.

HYDRAULIC HOSE ASSY. (HYD. STEERING CYLINDERS)

<u>NO.</u>	<u>PART NO.</u>	<u>PART NAME</u>	<u>QTY.</u>	<u>REMARKS</u>
1	45399	HOSE ASSY., 1/4" X 40.5", -4FJIC X -4FJIC.....	1.....	HOSE 16
2	45589	HOSE ASSY., 3/4" X 48", -12FJIC.....	1.....	HOSE 14
3	45393	HOSE ASSY., 1/4" X 43", -4FJIC X -4FJIC.....	1.....	HOSE 15
4	45392	HOSE ASSY., 1/4" X 44", -4FJIC X -4FJIC.....	1.....	HOSE 17
5	45394	HOSE ASSY., 1/4" X 42", -4FJIC X -4FJIC.....	1.....	HOSE 12
6	45397	HOSE ASSY., 1/4" X 44", -4FJIC X -4FJIC.....	1.....	HOSE 13

HYDRAULIC HOSE ASSY. (MANIFOLD)



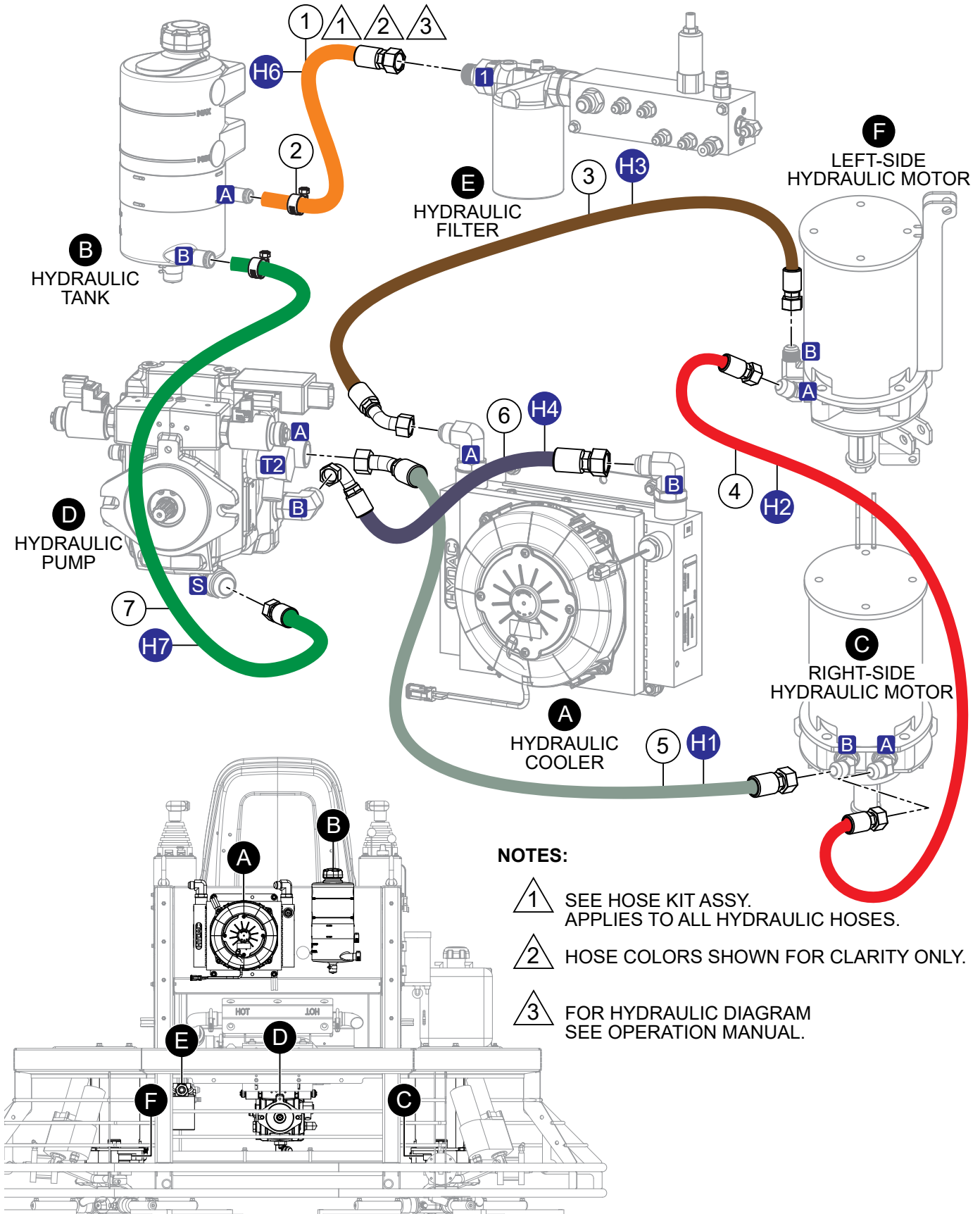
NOTES:

- 1 SEE HOSE KIT ASSY.
APPLIES TO ALL HYDRAULIC HOSES.
- 2 HOSE COLORS SHOWN FOR CLARITY ONLY.
- 3 FOR HYDRAULIC DIAGRAM
SEE OPERATION MANUAL.

HYDRAULIC HOSE ASSY. (MANIFOLD)

<u>NO.</u>	<u>PART NO.</u>	<u>PART NAME</u>	<u>QTY.</u>	<u>REMARKS</u>
1	45388	HOSE ASSY., 1/4" X 45.5", -4FJIC X -4FJIC.....	1.....	HOSE 9
2	45398	HOSE ASSY., 1/4" X 46.5", -4FJIC X -4FJIC.....	1.....	HOSE 8
3	45395	HOSE ASSY., 1/4" X 50.5", -4FJIC X -4FJIC.....	1.....	HOSE 10
4	45396	HOSE ASSY., 1/4" X 53", -4FJIC X -4FJIC.....	1.....	HOSE 11
5	45588	HOSE ASSY., 3/8" X 11", -6FJIC X -6FJIC.....	1.....	HOSE 5
6	45387	HOSE ASSY., 1/2" X 21", -8FJIC X -8FJIC90.....	1.....	HOSE 18

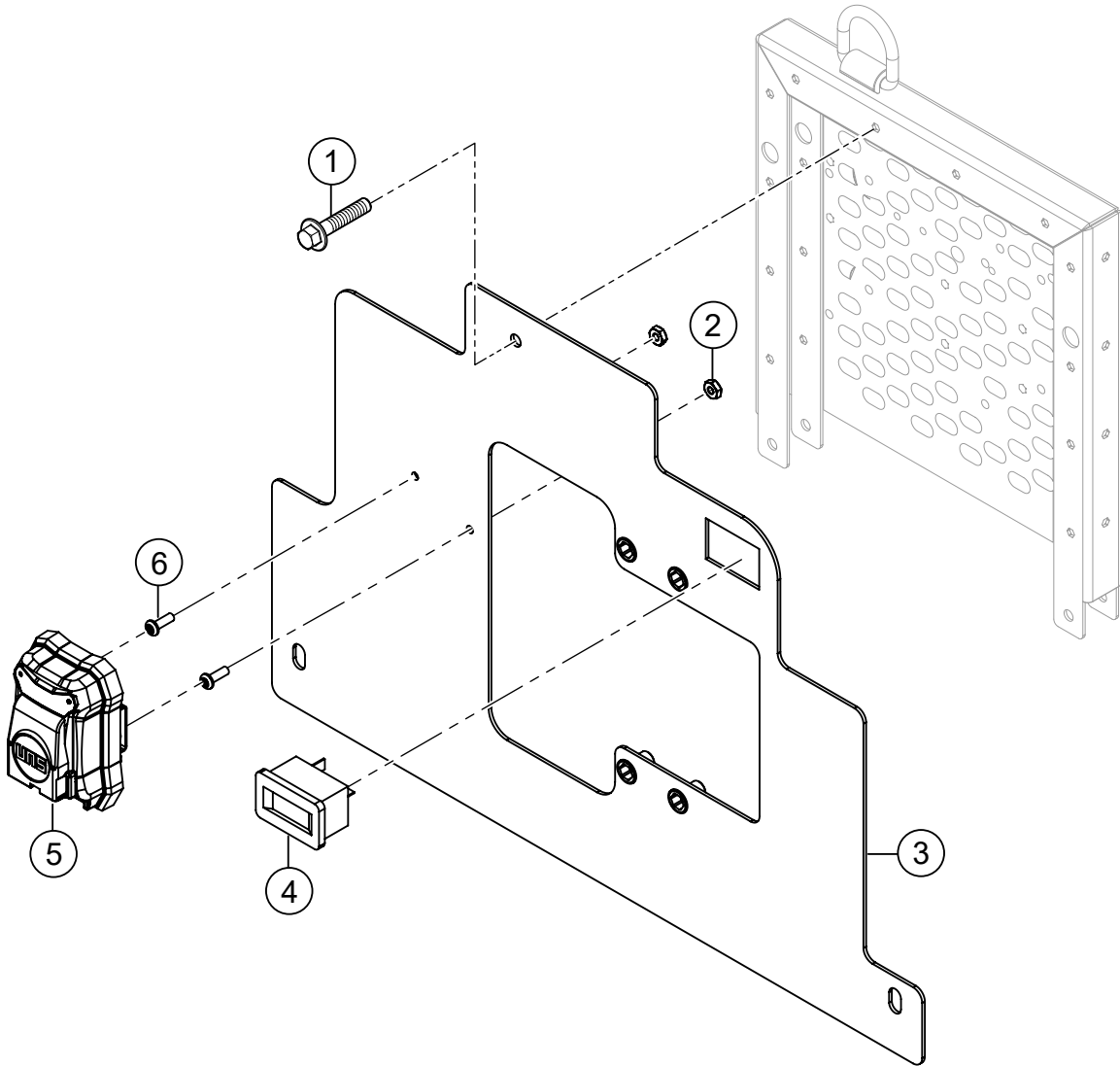
HYD. HOSE ASSY. (HYD. TANK/FILTER/COOLER/MOTORS)



HYD. HOSE ASSY. (HYD. TANK/FILTER/COOLER/MOTORS)

<u>NO.</u>	<u>PART NO.</u>	<u>PART NAME</u>	<u>QTY.</u>	<u>REMARKS</u>
1	45390	HOSE ASSY., 5/8" X 60", -10FJIC.....	1.....	HOSE 6
2	3333	CLAMP, HOSE WORM #12	2	
3	45386	HOSE ASSY., 5/8" X 40", -10FJIC X -10FJIC45.....	1.....	HOSE 3
4	45385	HOSE ASSY., 5/8" X 43", -10FJIC X -10FJIC.....	1.....	HOSE 2
5	45384	HOSE ASSY., 5/8" X 24.75", -10FJIC X -10FJIC45.....	1.....	HOSE 1
6	45391	HOSE ASSY., 5/8" X 60.5", -10FJIC X -10FJIC.....	1.....	HOSE 4
7	45389	HOSE ASSY., 3/4" X 48", -12FJIC.....	1.....	HOSE 7

ELECTRICAL PANEL ASSY.



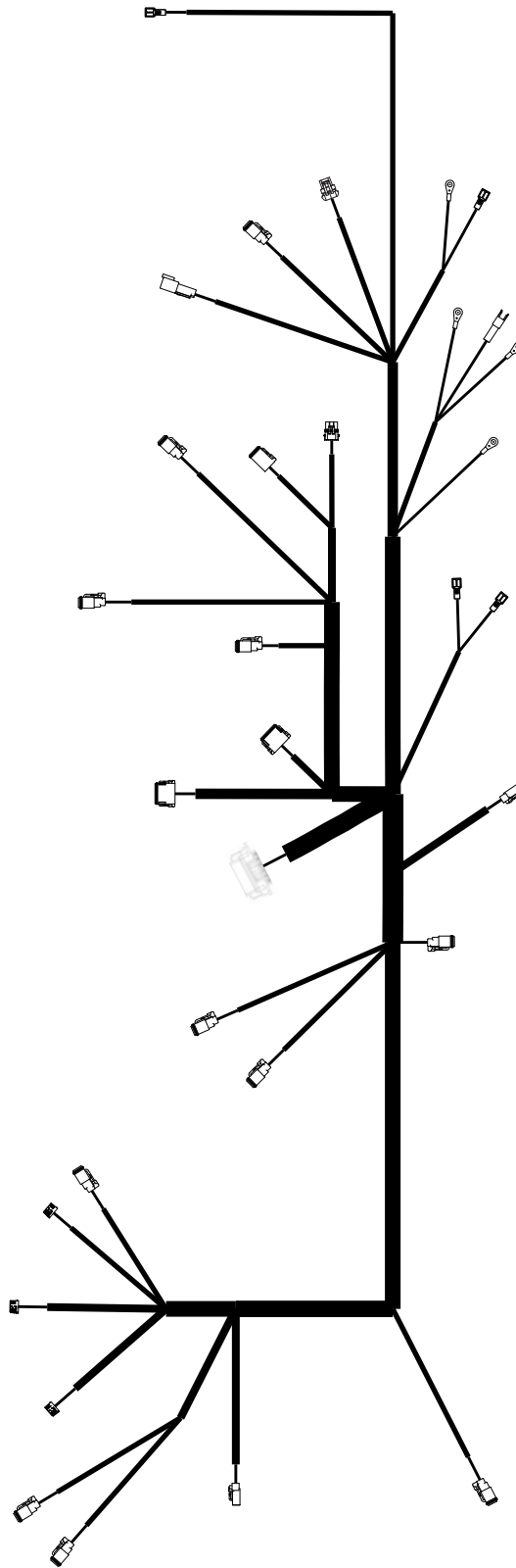
NOTE:

 FOR ELECTRICAL DIAGRAM
SEE OPERATION MANUAL.

ELECTRICAL PANEL ASSY.

<u>NO.</u>	<u>PART NO.</u>	<u>PART NAME</u>	<u>QTY.</u>	<u>REMARKS</u>
1	43724	SCREW, HHFS M6-1.0 X 25MM CLASS 8.8	4	
2	13287	NUT, NYLOC 8-32	2	
3	48921	PANEL, ELECTRICAL	1	
4	29640	HOUR METER, SENDEC RECT. FLUSH MOUNT	1	
5	48393-SK	CONTROLLER, VALVE DRIVER	1	
6	1307	SCREW, PHP 8-32 X 1/2"	2	

HARNESS ASSY. (MAIN)



NOTE:

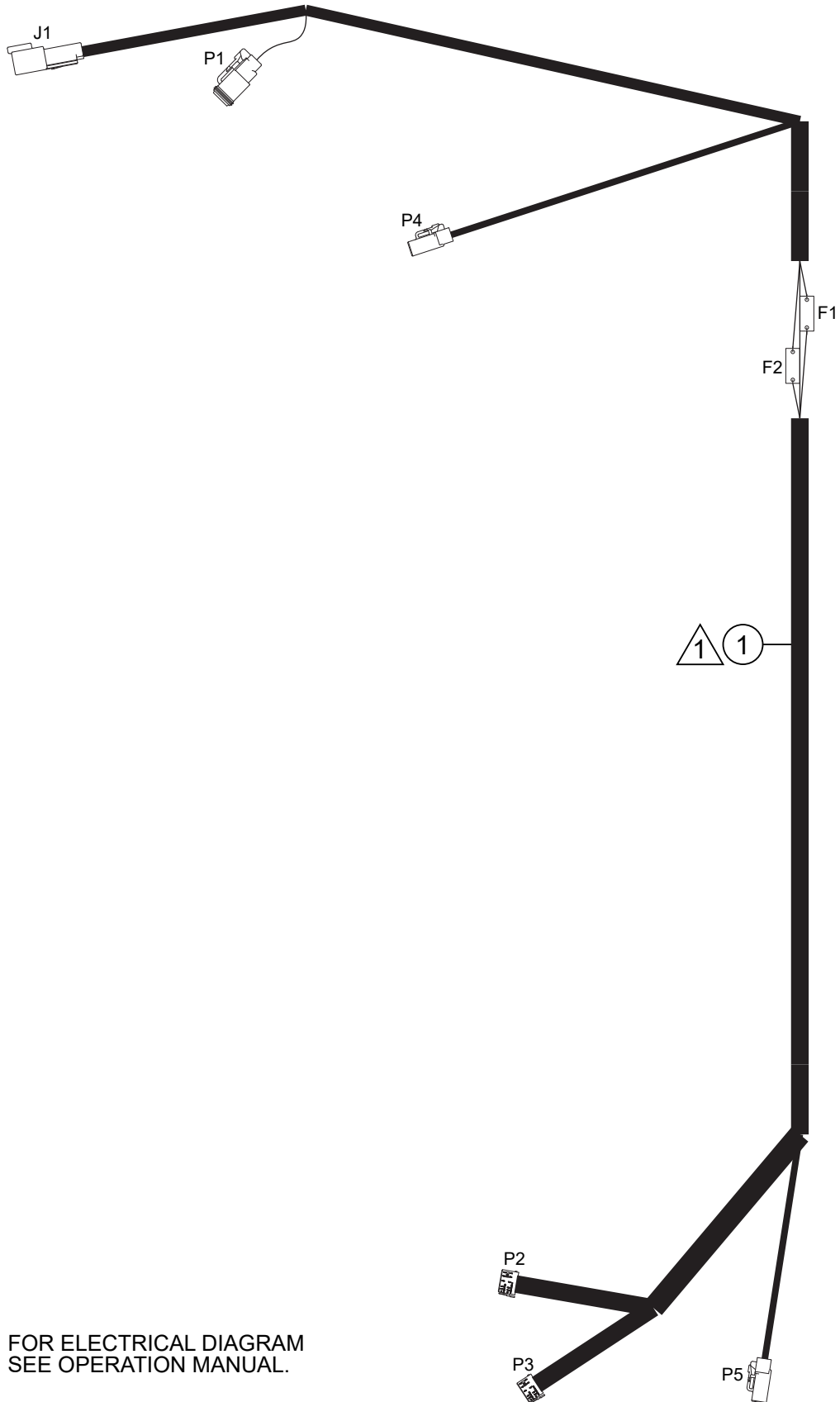


FOR ELECTRICAL DIAGRAM
SEE OPERATION MANUAL.

HARNESS ASSY. (MAIN)

<u>NO.</u>	<u>PART NO.</u>	<u>PART NAME</u>	<u>QTY.</u>	<u>REMARKS</u>
1	48944	HARNESS, MAIN	1	

HARNES ASSY. (PITCH)



NOTE:

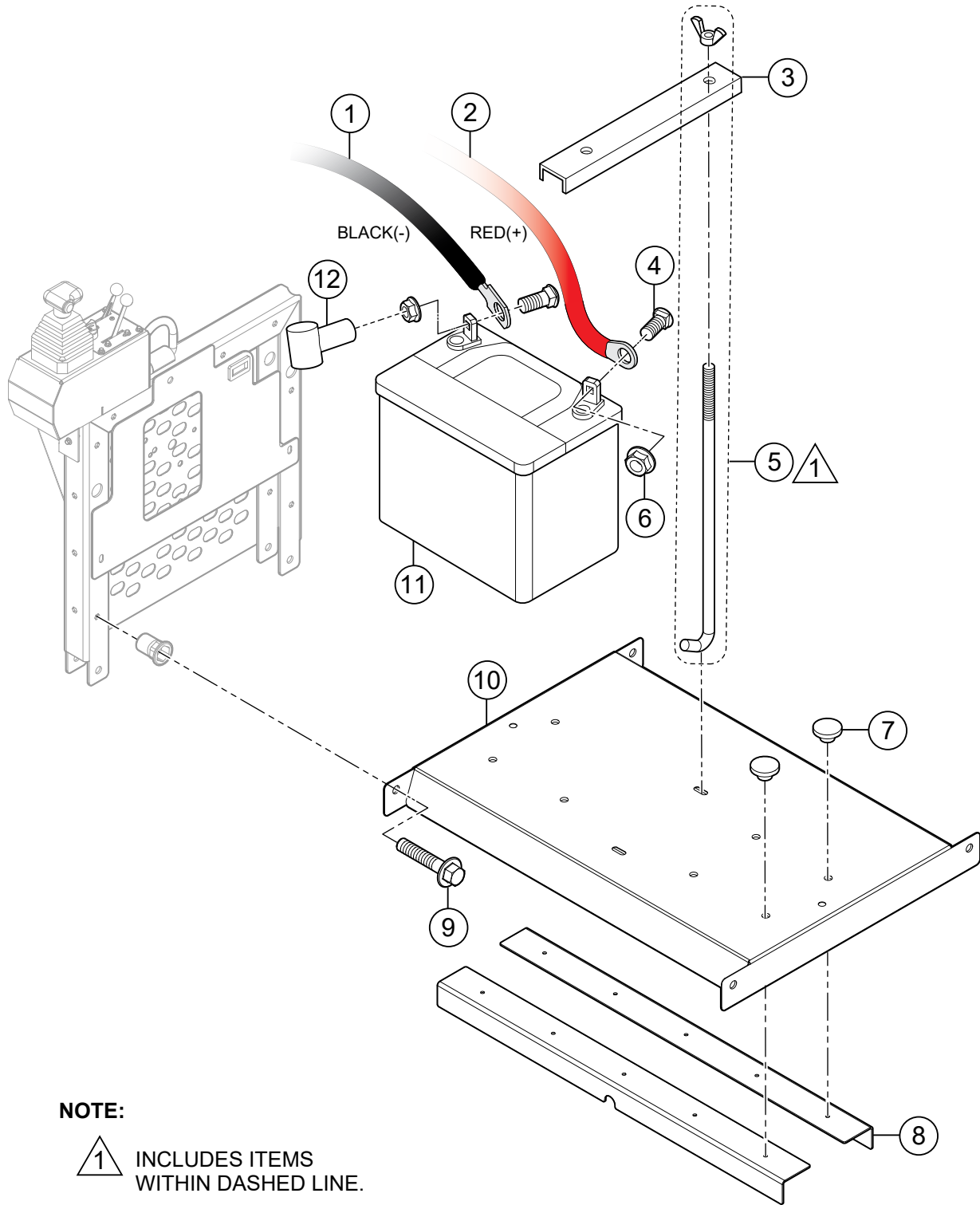


FOR ELECTRICAL DIAGRAM
SEE OPERATION MANUAL.

HARNES ASSY. (PITCH)

<u>NO.</u>	<u>PART NO.</u>	<u>PART NAME</u>	<u>QTY.</u>	<u>REMARKS</u>
1	45380	HARNES, PITCH	1	

BATTERY ASSY.



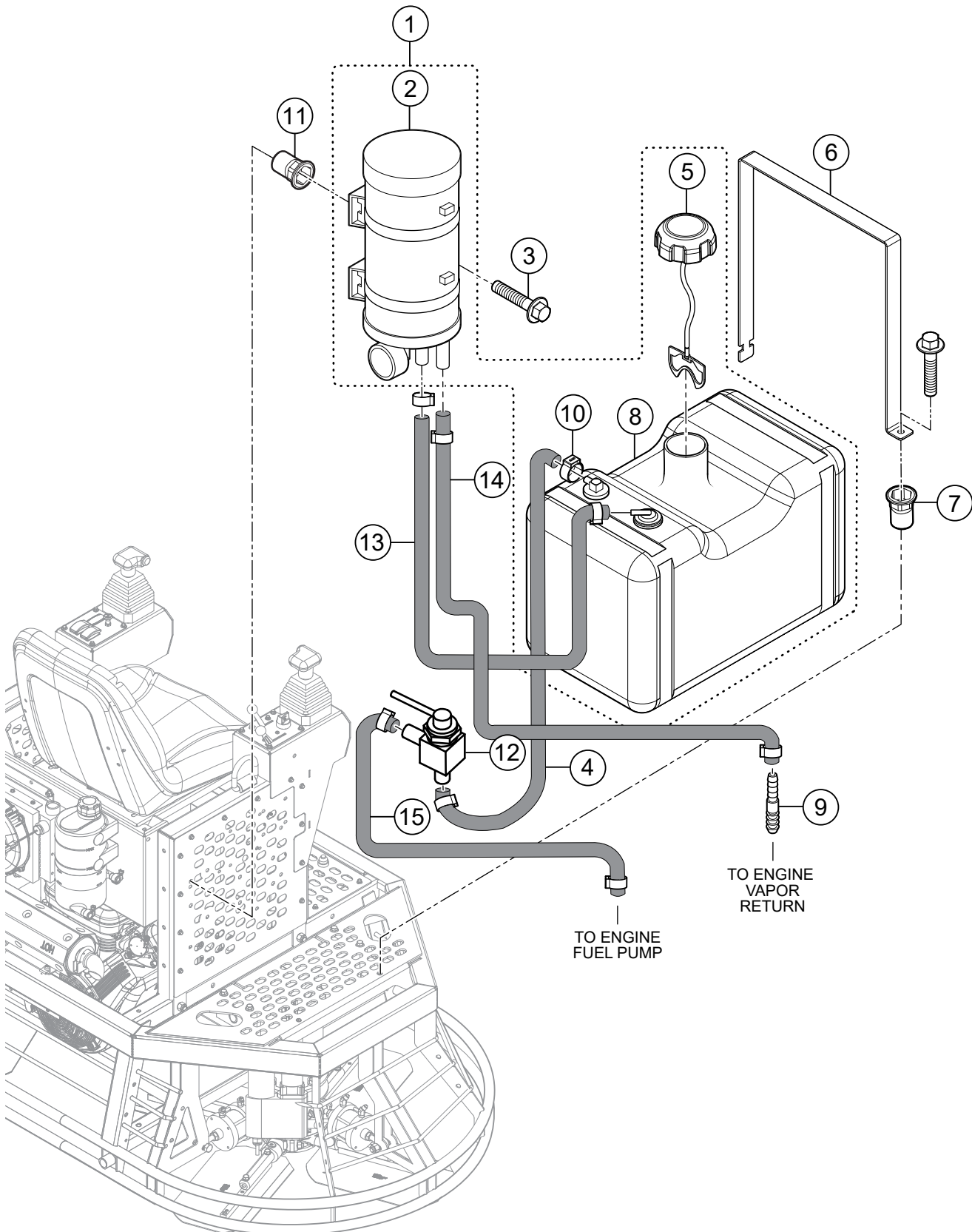
NOTE:

1 INCLUDES ITEMS WITHIN DASHED LINE.

BATTERY ASSY.

<u>NO.</u>	<u>PART NO.</u>	<u>PART NAME</u>	<u>QTY.</u>	<u>REMARKS</u>
1	45306	CABLE, BATTERY NEG., BK 31", 6 GA	1	
2	12675	CABLE, BATTERY POS., 4 GA X 36"	1	
3	11105	BRACKET, SMALL BATTERY HOLD DOWN	1	
4	42542	SCREW, HFS M6-1.0 X 16	2	
5	20194	KIT, BATTERY J-BOLTS, 8"	1	
6	42352	NUT, HEX.,SERRATED-FLANGE M6-1.0	2	
7	30029	RIVET, POP BH, .187 X .063 -.125 AL/AL	10	
8	45541	BRACE, BATTERY	2	
9	43724	SCREW, HFS M6-1.0 X 25MM CLASS 8.8	4	
10	45506	HEAT SHIELD, SEAT	1	
11	4671	BATTERY, WET GR UI	1	
12	2762	BOOT, TERMINAL	2	

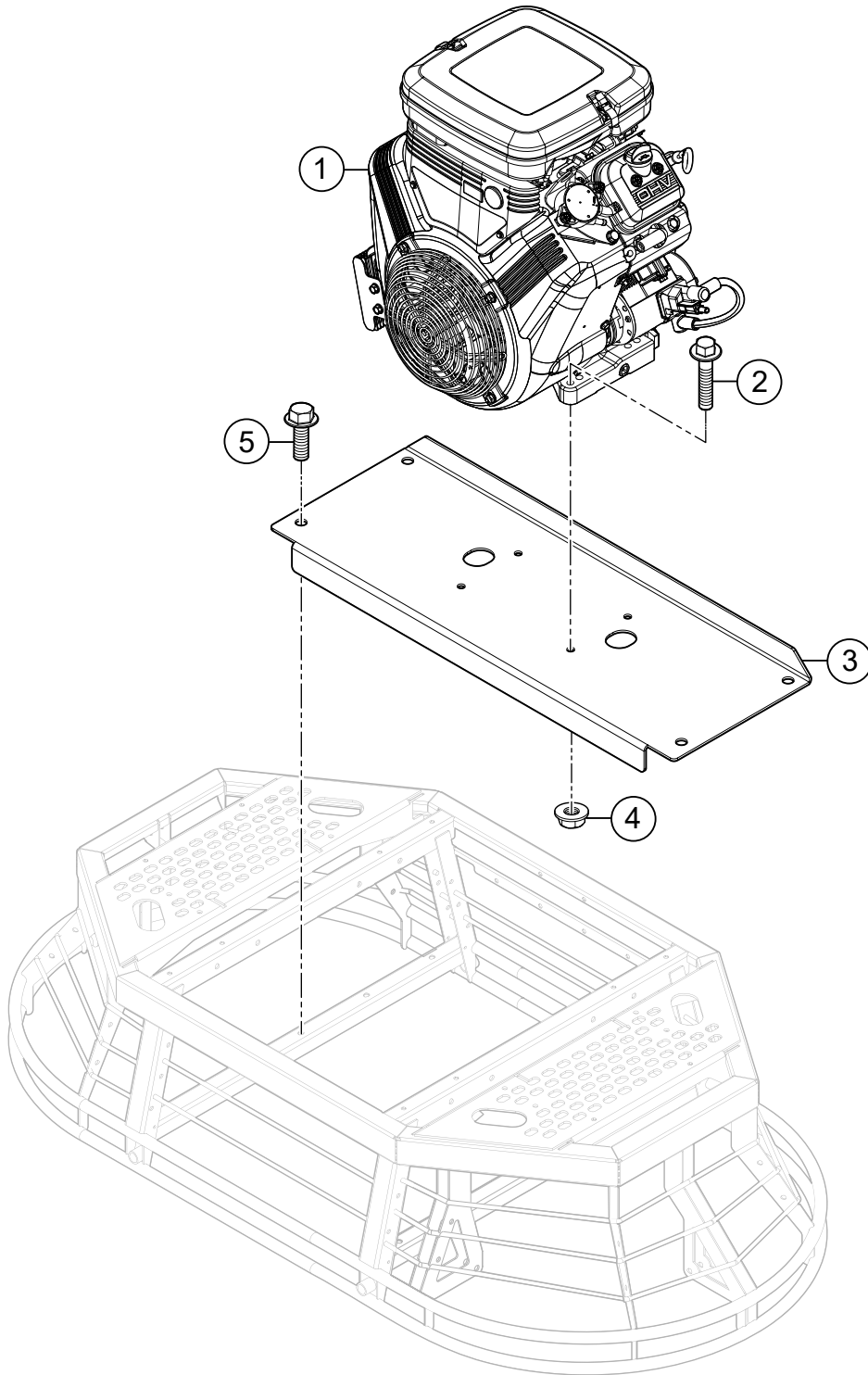
FUEL SYSTEM ASSY.



FUEL SYSTEM ASSY.

<u>NO.</u>	<u>PART NO.</u>	<u>PART NAME</u>	<u>QTY.</u>	<u>REMARKS</u>
1	45546	KIT, FUEL TANK	1	INCLUDES ITEMS W/@
2@	45544	CANISTER, CARBON WITH 1/4" PORTS	1	
3	42325	SCREW, HHC M6-1.0 X 20, CAPTIVE WASHER	4	
4	60013	HOSE, FUEL Ø.250 LOW PERM 50 PSI (29.04 IN.)	1	
5@	45547	CAP, VENTED RATCHETING	1	
6	45542	STRAP, FUEL TANK	2	
7	43655	NUT, BLIND, HEX, M6-1.0 X 4.2 - 6.6 GRIP	2	
8@	45543	TANK, NATURAL, 4 GALLON	1	
9	11978	FITTING, BARBED 3/16" TO 1/4" HOSE	1	
10	22067	CLAMP, STEPLESS EAR 1/4" HOSE #138	8	
11	42496	NUT, BLIND, HEX, M6-1.0 X 0.7 - 4.2 GRIP	2	
12	52205	BALL VALVE, 1/4" 90° PANEL MOUNT	1	
13	60013	HOSE, FUEL Ø.250 LOW PERM 50 PSI (18 IN.)	1	
14	60013	HOSE, FUEL Ø.250 LOW PERM 50 PSI (18.96 IN.)	1	
15	60013	HOSE, FUEL Ø.250 LOW PERM 50 PSI (8.04 IN.)	1	

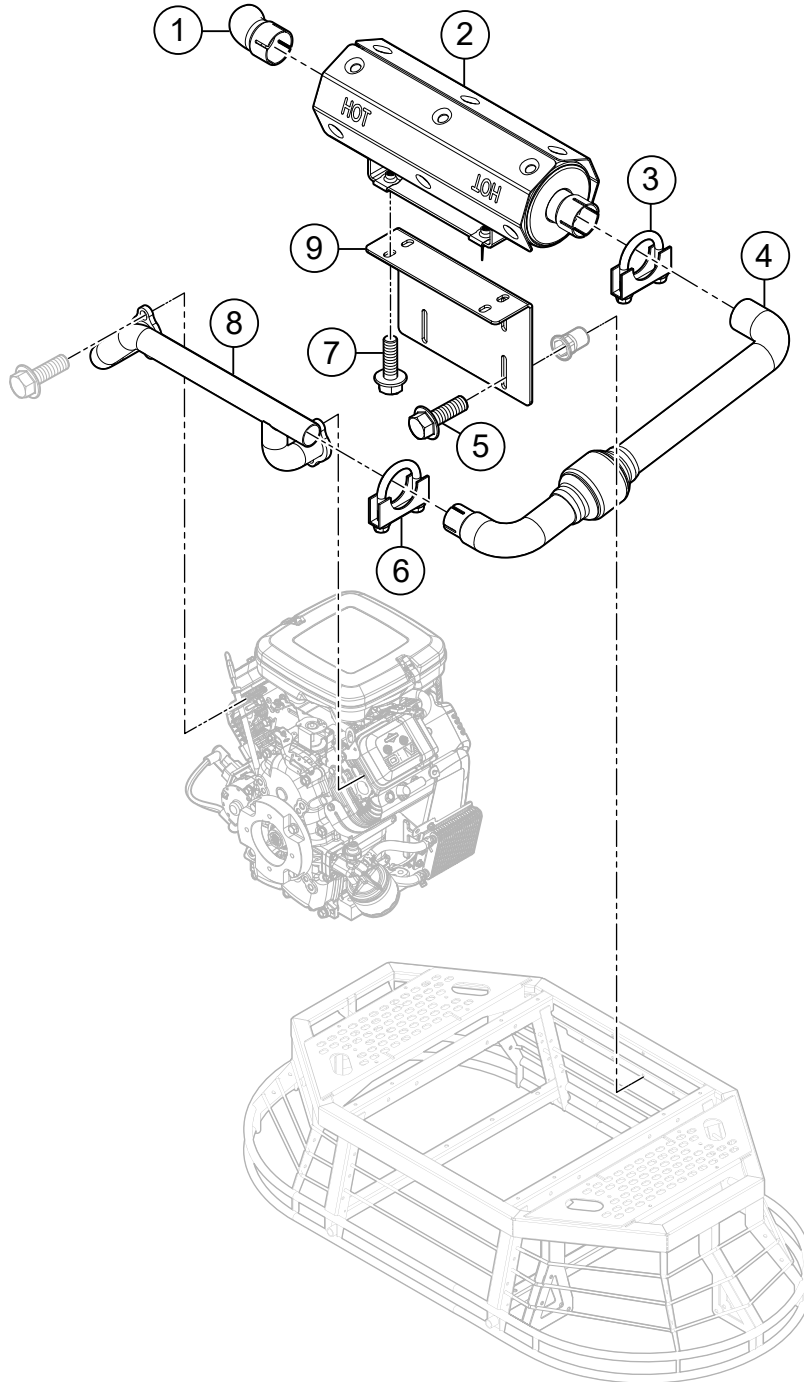
ENGINE MOUNTING ASSY.



ENGINE MOUNTING ASSY.

<u>NO.</u>	<u>PART NO.</u>	<u>PART NAME</u>	<u>QTY.</u>	<u>REMARKS</u>
1	45487	ENGINE, BRIGGS 23HP	1	
2	9086	SCREW, HHFS M8-1.25 X 45	4	
3	45488	MOUNT, ENGINE	1	
4	23802	NUT, HEX FLANGE M8-1.25 SERRATED	4	
5	32976	SCREW, HFS M10-1.5 X 25 CLASS 10.9	4	

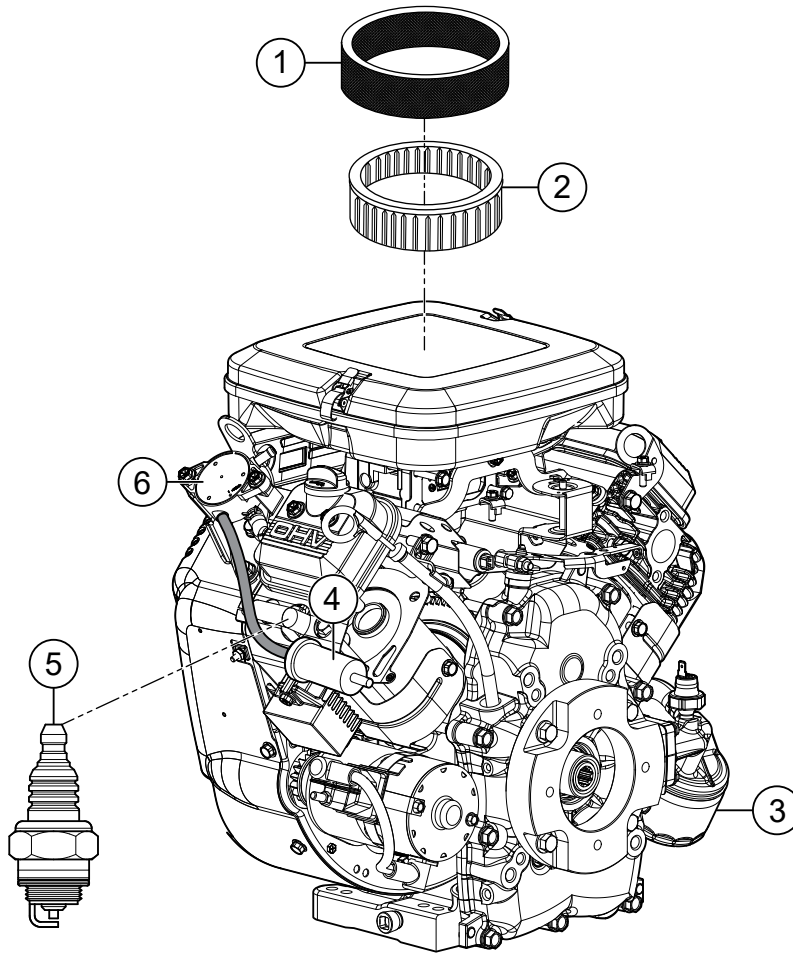
EXHAUST ASSY.



EXHAUST ASSY.

<u>NO.</u>	<u>PART NO.</u>	<u>PART NAME</u>	<u>QTY.</u>	<u>REMARKS</u>
1	45586	TIP, EXHAUST	1	
2	45491	MUFFLER	1	
3	10855	CLAMP, 1-1/2" MUFFLER, GUILLOTINE	2	
4	45493	EXHAUST	1	
5	43724	SCREW, HFS M6-1.0 X 25MM CLASS 8.8	4	
6	45625	CLAMP, EXHAUST 1-5/16"	1	
7	42342	SCREW, HHFS, M8-1.25 X 16 GR 8.8	4	
8	45492	HEADER, BRIGGS 23HP	1	
9	45489	MOUNT, MUFFLER	1	

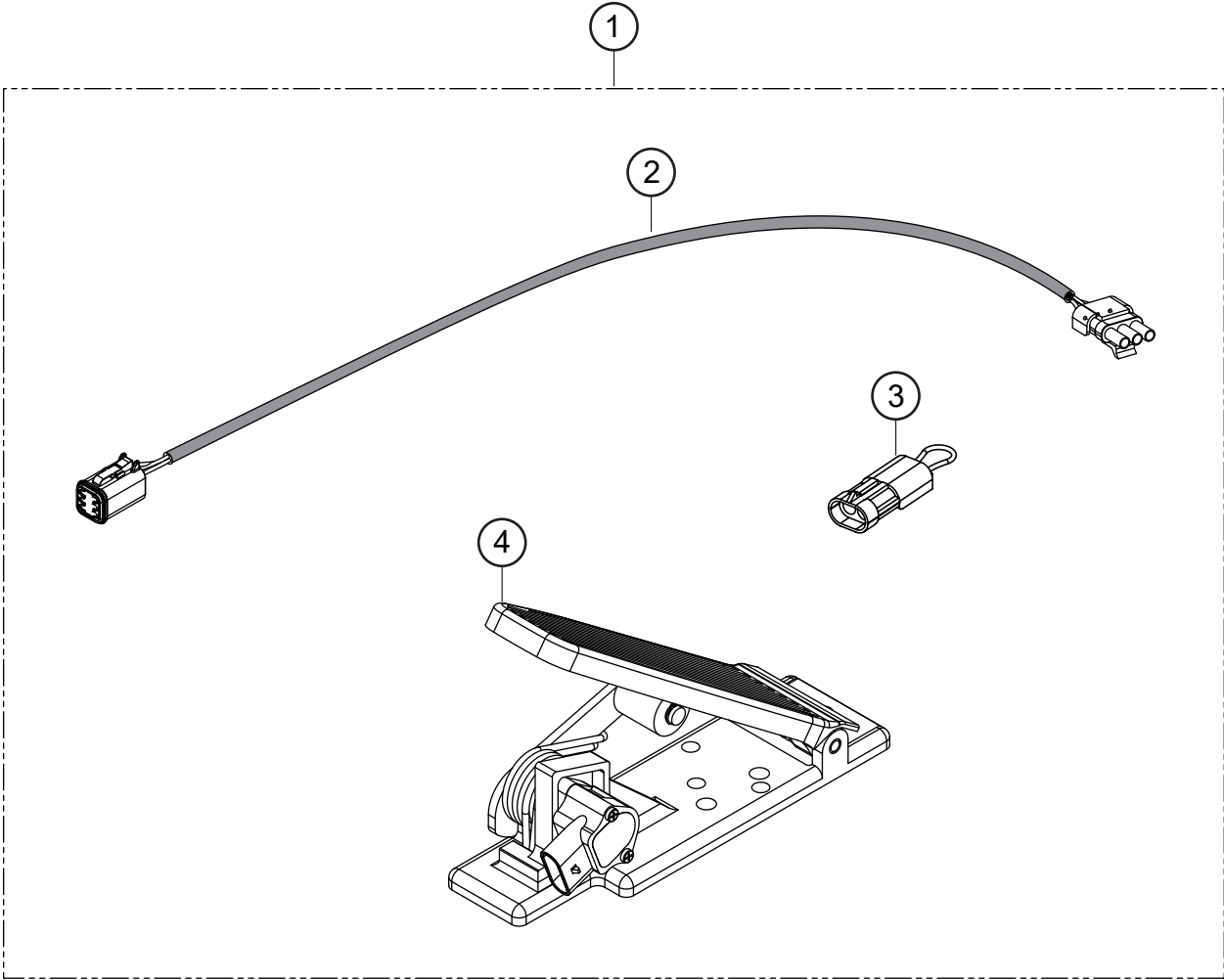
ENGINE SERVICE PARTS



ENGINE SERVICE PARTS

<u>NO.</u>	<u>PART NO.</u>	<u>PART NAME</u>	<u>QTY.</u>	<u>REMARKS</u>
1	692520	FILTER, PRE AIR CLEANER	1	
2	692519	FILTER, AIR CLEANER CARTRIDGE	1	
3	842921	FILTER, OIL	1	
4	845125	FILTER, FUEL 20 MICRON	1	
5	792015	SPARK PLUG	2	
6	808656	PUMP, FUEL	1	

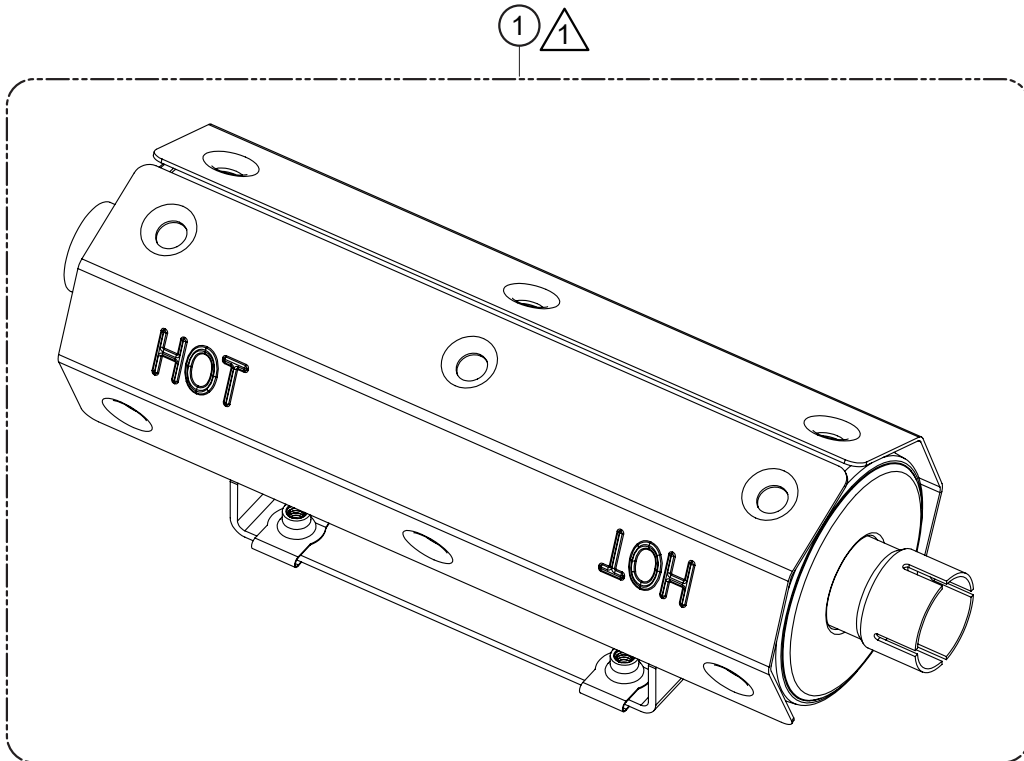
FOOT PEDAL KIT ASSY. (OPTION)



FOOT PEDAL KIT ASSY. (OPTION)

<u>NO.</u>	<u>PART NO.</u>	<u>PART NAME</u>	<u>QTY.</u>	<u>REMARKS</u>
1	48231	KIT, FOOT PEDAL	1.....	INCLUDES ITEMS W/#
2#	48232	HARNESS, FOOT PEDAL	1	
3#	48233	JUMPER, FOOT PEDAL	1	
4#	43144	PEDAL, FOOT	1	

MUFFLER KIT ASSY. (OPTION)



NOTES:

 TO BE USED FOR LPG CONVERSION ONLY.

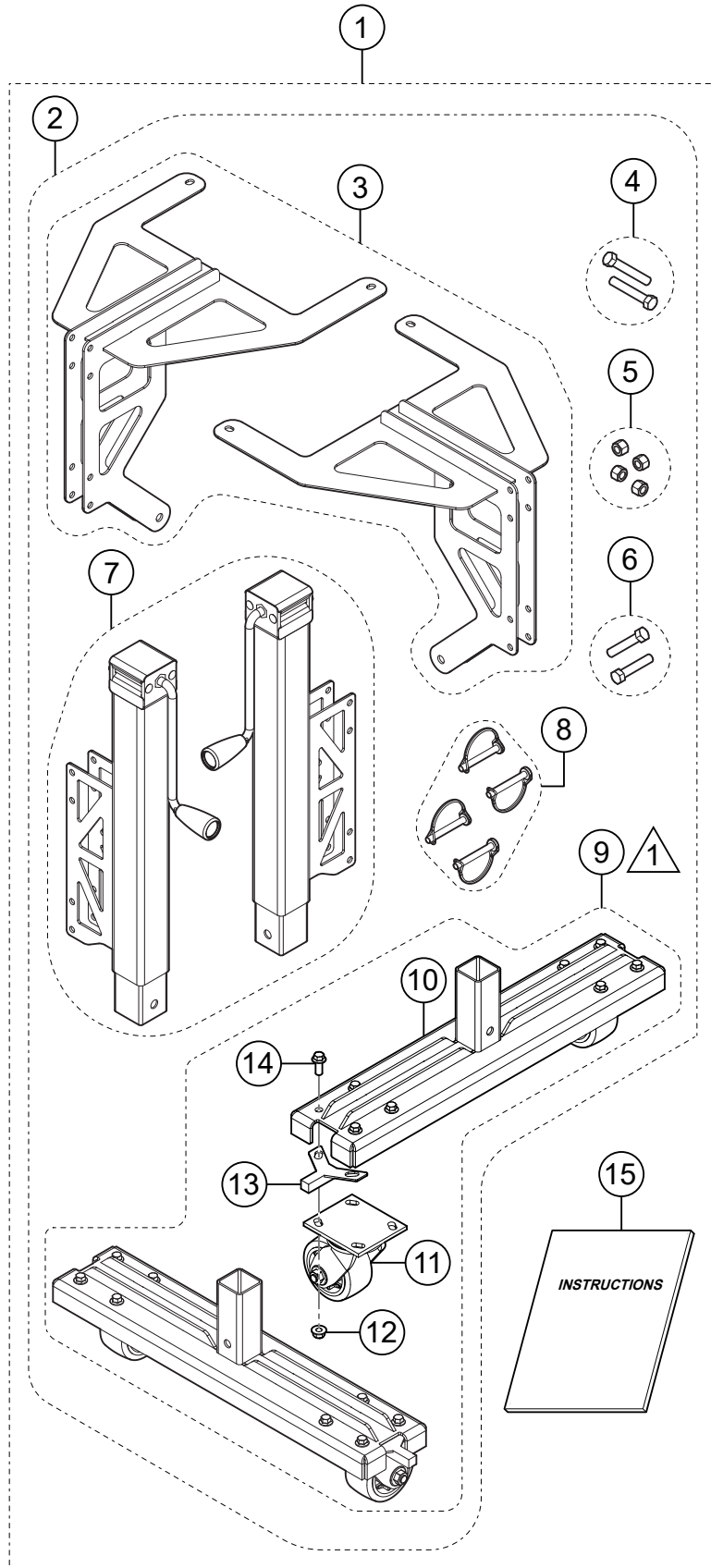
MUFFLER KIT ASSY. (OPTION)

<u>NO.</u>	<u>PART NO.</u>	<u>PART NAME</u>	<u>QTY.</u>	<u>REMARKS</u>
1	45776	CAT. MUFFLER	1	

NOTICE

P/N 45776 to be used for LPG Conversion only.

EZ MOVER KIT ASSY. (OPTION)



NOTE:

 COMPONENTS MAY BE PRE-ASSEMBLED.

EZ MOVER KIT ASSY. (OPTION)

<u>NO.</u>	<u>PART NO.</u>	<u>PART NAME</u>	<u>QTY.</u>	<u>REMARKS</u>
1	LD6EZM	KIT, EZ MOVER	1.....	INCLUDES ITEMS W/@
2@	45700	ASSY., EZ MOVER	2.....	INCLUDES ITEMS W/#
3@#	45708	LIFT BRACKET, EZ MOVER	2	
4@#	2549	SCREW, HHC 1/2-13 X 3"	2	
5@#	10176	NUT, NYLOC 1/2-13	4	
6@#	12402	SCREW, HHC 1/2-13 X 2-1/2"	2	
7@#	45705	JACK, EZ MOVER	2	
8@#	16743	PIN, SECTION SAFETY SNAP 3/8" DIA.	4	
9@#		ASSY., WHEEL PLATE	1.....	INCLUDES ITEMS W/+
10@#+	45701	CASTER PLATE, EZ MOVER	2	
11@#+	45711	WHEEL CASTER, CUSHIONED LOAD, 4"	4	
12@#+	42353	NUT, HEX, SERRATED-FLANGE, M10-1.5	16	
13@#+	45712	CASTER WHEEL LOCK, EZ MOVER	2	
14@#+	32976	SCREW, HFS M10-1.5 X 25	16	
15@	45719	INSTRUCTIONS, EZ MOVER KIT	1	

TO DOWNLOAD INSTRUCTIONS P/N 45719, VISIT [HTTP://WWW.MULTIQUIP.COM/MULTIQUIP/LD6.HTM](http://www.multiquip.com/multiquip/ld6.htm)
OR [HTTP://SERVICE.MULTIQUIP.COM/INSTRUCTIONS-TROWELS-HYDRAULIC-RIDE-ON.HTML](http://service.multiquip.com/instructions-trowels-hydraulic-ride-on.html)

PARTS MANUAL

HERE'S HOW TO GET HELP

PLEASE HAVE THE MODEL AND SERIAL
NUMBER ON-HAND WHEN CALLING

UNITED STATES

Multiquip Inc.

(310) 537- 3700
6141 Katella Avenue Suite 200
Cypress, CA 90630
E-MAIL: mq@multiquip.com
WEBSITE: www.multiquip.com

CANADA

Multiquip

(450) 625-2244
4110 Industriel Boul.
Laval, Quebec, Canada H7L 6V3
E-MAIL: infocanada@multiquip.com

UNITED KINGDOM

Multiquip (UK) Limited Head Office

0161 339 2223
Unit 2, Northpoint Industrial Estate, Globe Lane,
Dukinfield, Cheshire SK16 4UJ
E-MAIL: sales@multiquip.co.uk

© COPYRIGHT 2025, MULTIQUIP INC.

Multiquip Inc. and the MQ logo are registered trademarks of Multiquip Inc. and may not be used, reproduced, or altered without written permission. All other trademarks are the property of their respective owners and used with permission.

This manual MUST accompany the equipment at all times. This manual is considered a permanent part of the equipment and should remain with the unit if resold.

DISCLAIMER: Product features, descriptions, and specifications are based on published information at the time of publication and are subject to change at any time without notice. Multiquip Inc. and its affiliates reserve the right to change specifications, features, design, and descriptions of products at any time without notice.



PN: 52204