



# MQMJS Kit, Mixer Jack Stand

## Mixer Jack Stand Installation Instructions

The following instructions are intended to assist the user with the mounting of a jack stand to the frame on MQ Series towable mixers. Mixer models include MC44, MC64, MC94, MC12, WM63, WM70, EM70, EM90 and EM12. Please read all assembly instructions before installing the kit.

### REQUIRED TOOLS

- Ratchet/Socket Set

### PARTS

Verify that all parts are accounted for. See Figure 1 and Table 1.

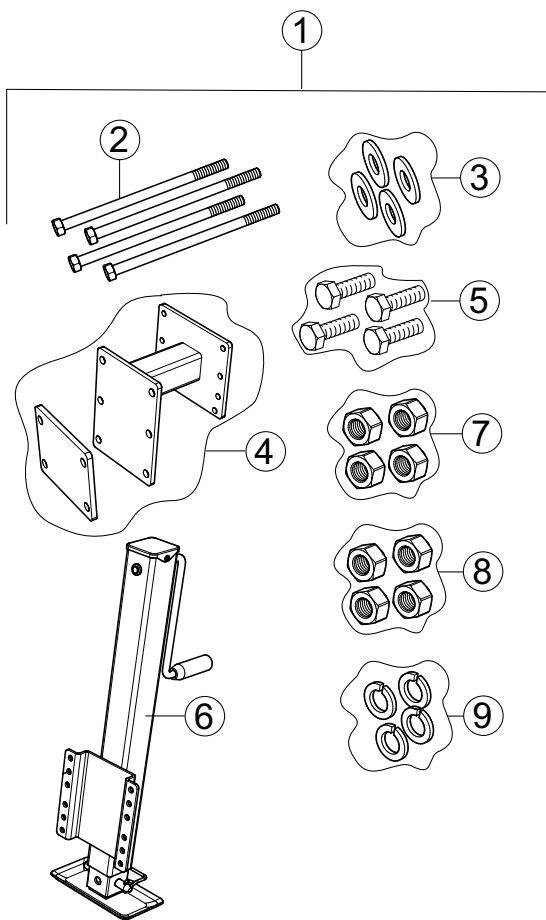


Figure 1. Jack Stand Installation Kit

Table 1. Jack Stand Installation Kit

Item No.	Part No.	Description	QTY.	Remarks
1	MQMJS	Kit, Jack Stand	1	Includes items 2-9
2	—	1/2"-13 X8-1/2" Hex Head Cap Screw GRD. 5	4	
3	—	1/2" Washer, Flat	4	
4	MQ34718	Jacket Stand Adapter	1	
5	—	3/8"-16 x 1 Hex Head Bolt GRD.	4	
6	MQ34719	Jack Stand	1	
7	—	3/8" Nut, Nyloc	4	
8	—	1/2"-13 Nut	4	
9	—	1/2" Washer, Lock	4	

### WORK SAFELY!

Only a **qualified service technician** with proper training should perform this installation. Follow all shop safety rules when performing this installation.

### PREPARATION

1. Place the mixer in an area free of dirt and debris. Make sure it is on secure level ground with chock blocks underneath each wheel to prevent the mixer from rolling.

## MOUNTING THE JACK STAND ADAPTER TO THE MIXER FRAME

1. Position the jack stand adapter (P/N MQ34718) onto the mixer frame as shown in Figure 2. The **plate adapter** should be on one side of the frame while the **jack stand adapter** should be positioned on the other side of the frame.
2. Secure the plate and jack stand adapters to the frame using the mounting hardware as shown in Figure 2. Tighten all nuts securely.

## MOUNTING THE JACK STAND TO THE JACK STAND ADAPTER

1. Align the jack stand mounting bracket (P/N MQ34719) with the jack stand adapter.
2. Secure the jack stand to the jack stand adapter using the mounting hardware as shown in Figure 2. Tighten all nuts securely.
3. Reference Figure 3. for complete installation.

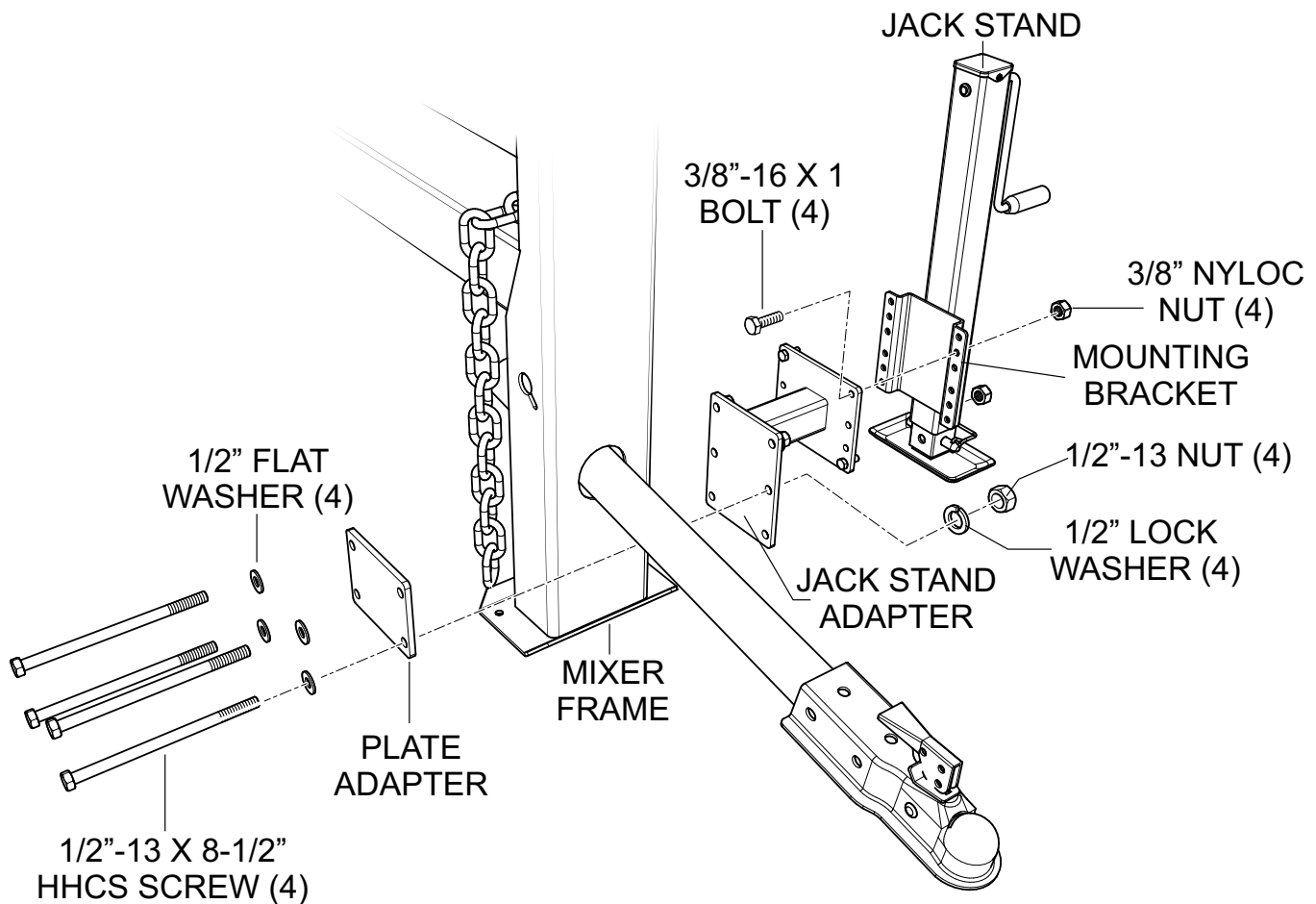
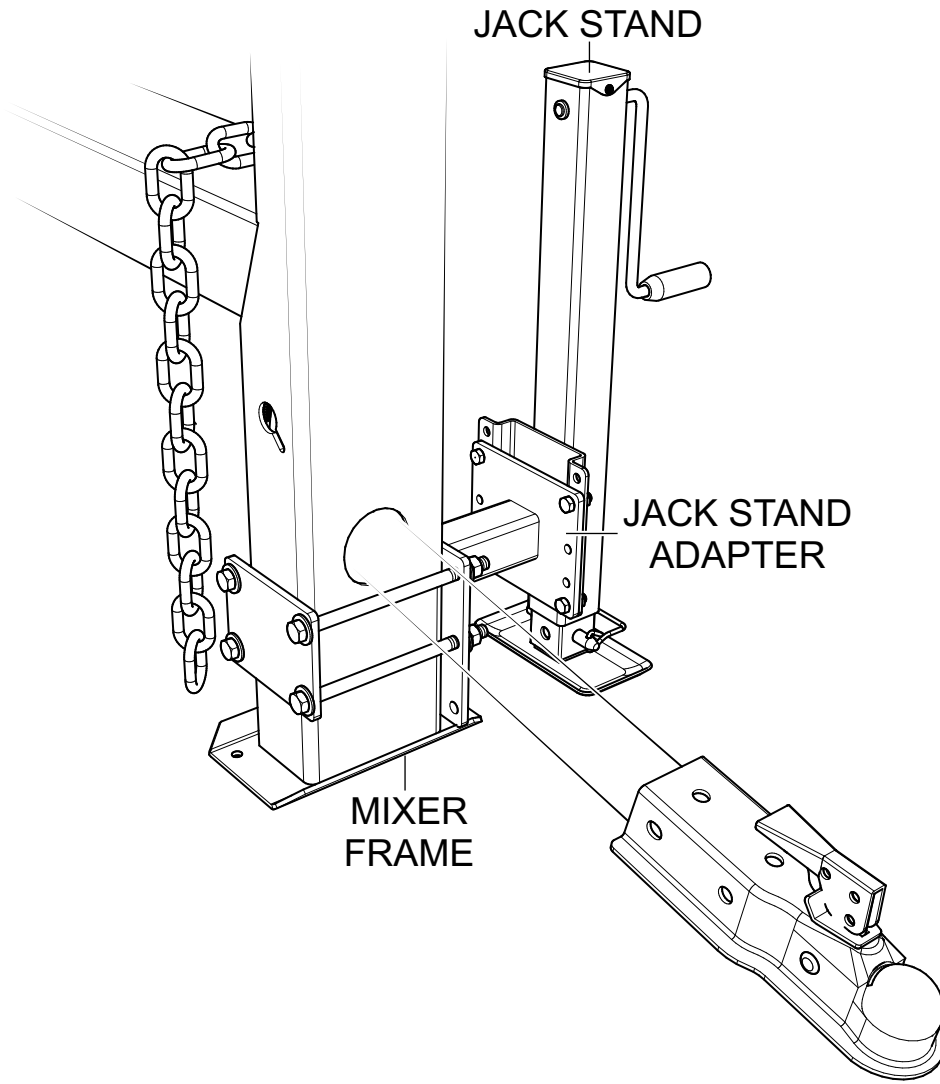


Figure 2. Jack Stand Adapter Mounting



**Figure 3. Installation Complete**



# MQMJS Kit, Mixer Jack Stand

## Mixer Jack Stand Installation Instructions

---

## HERE'S HOW TO GET HELP

PLEASE HAVE THE MODEL AND SERIAL  
NUMBER ON-HAND WHEN CALLING

### UNITED STATES

#### ***Multiquip Corporate Office***

18910 Wilmington Ave.  
Carson, CA 90746  
Contact: mq@multiquip.com

Tel. (800) 421-1244  
Fax (310) 537-3927

#### ***Service Department***

(800) 421-1244  
(310) 537-3700

#### ***Technical Assistance***

(800) 478-1244                      Fax: (310) 943-2238

#### ***MQ Parts Department***

(800) 427-1244  
(310) 537-3700

Fax: (800) 672-7877

#### ***Warranty Department***

(800) 421-1244  
(310) 537-3700

Fax: (310) 943-2249

---

### CANADA

#### ***Multiquip***

4110 Industriel Boul.  
Laval, Quebec, Canada H7L 6V3  
Contact: infocanada@multiquip.com

Tel: (450) 625-2244  
Tel: (877) 963-4411  
Fax: (450) 625-8664

---

### UNITED KINGDOM

#### ***Multiquip (UK) Limited Head Office***

Unit 2, Northpoint Industrial Estate,  
Globe Lane,  
Dukinfield, Cheshire SK16 4UJ  
Contact: sales@multiquip.co.uk

Tel: 0161 339 2223  
Fax: 0161 339 3226

© COPYRIGHT 2019, MULTIQUIP INC.

Multiquip Inc, the MQ logo are registered trademarks of Multiquip Inc. and may not be used, reproduced, or altered without written permission. All other trademarks are the property of their respective owners and used with permission.

This manual MUST accompany the equipment at all times. This manual is considered a permanent part of the equipment and should remain with the unit if resold.

The information and specifications included in this publication were in effect at the time of approval for printing. Illustrations, descriptions, references and technical data contained in this manual are for guidance only and may not be considered as binding. Multiquip Inc. reserves the right to discontinue or change specifications, design or the information published in this publication at any time without notice and without incurring any obligations.

Your Local Dealer is:

