

PARTS MANUAL



Mikasa SERIES
MODEL MVC82VGV/VGVW
ONE-WAY PLATE COMPACTOR
(Briggs & Stratton Vanguard 160 Gasoline Engine)

Revision #0 (05/18/23)

To find the latest revision of this publication or associated operation manual, visit our website at: www.multiquip.com



THIS MANUAL MUST ACCOMPANY THE EQUIPMENT AT ALL TIMES.

**MVC82VGV/VGVW
Plate Compactor**

Explanation Of Code In Remarks Column..... 4
Suggested Spare Parts 5

Component Drawings

Nameplate And Decals 6-7
Body Assembly8-11
Vibrator Assembly..... 12-13
Water Tank Assembly (MVC82VGVW Only) ... 14-15
Wheel Kit Assembly..... 16-17
Engine Service Parts 18-19

NOTICE
Specifications and part numbers are subject to change without notice.

EXPLANATION OF CODE IN REMARKS COLUMN

The following section explains the different symbols and remarks used in the Parts section of this manual. Use the help numbers found on the back page of the manual if there are any questions.

NOTICE

The contents and part numbers listed in the parts section are subject to change without notice. Multiquip does not guarantee the availability of the parts listed.

SAMPLE PARTS LIST

NO.	PART NO.	PART NAME
1	12345	BOLT1INCLUDES ITEMS W/%
2%		WASHER, 1/4 IN.NOT SOLD SEPARATELY
2%	12347	WASHER, 3/8 IN. ...1MQ-45T ONLY
3	12348	HOSEA/R ...MAKE LOCALLY
4	12349	BEARING1S/N 2345B AND ABOVE

NO. Column

Unique Symbols — All items with same unique symbol (@, #, +, %, or >) in the number column belong to the same assembly or kit, which is indicated by a note in the “Remarks” column.

Duplicate Item Numbers — Duplicate numbers indicate multiple part numbers, which are in effect for the same general item, such as different size saw blade guards in use or a part that has been updated on newer versions of the same machine.

NOTICE

When ordering a part that has more than one item number listed, check the remarks column for help in determining the proper part to order.

PART NO. Column

Numbers Used — Part numbers can be indicated by a number, a blank entry, or TBD.

TBD (To Be Determined) is generally used to show a part that has not been assigned a formal part number at the time of publication.

A blank entry generally indicates that the item is not sold separately or is not sold by Multiquip. Other entries will be clarified in the “Remarks” Column.

QTY. Column

Numbers Used — Item quantity can be indicated by a number, a blank entry, or A/R.

A/R (As Required) is generally used for hoses or other parts that are sold in bulk and cut to length.

A blank entry generally indicates that the item is not sold separately. Other entries will be clarified in the “Remarks” Column.

REMARKS Column

Some of the most common notes found in the “Remarks” Column are listed below. Other additional notes needed to describe the item can also be shown.

Assembly/Kit — All items on the parts list with the same unique symbol will be included when this item is purchased.

Indicated by:

“INCLUDES ITEMS W/(unique symbol)”

Serial Number Break — Used to list an effective serial number range where a particular part is used.

Indicated by:

“S/N XXXXX AND BELOW”

“S/N XXXX AND ABOVE”

“S/N XXXX TO S/N XXX”

Specific Model Number Use — Indicates that the part is used only with the specific model number or model number variant listed. It can also be used to show a part is NOT used on a specific model or model number variant.

Indicated by:

“XXXXX ONLY”

“NOT USED ON XXXX”

“Make/Obtain Locally” — Indicates that the part can be purchased at any hardware shop or made out of available items. Examples include battery cables, shims, and certain washers and nuts.

“Not Sold Separately” — Indicates that an item cannot be purchased as a separate item and is either part of an assembly/kit that can be purchased, or is not available for sale through Multiquip.

SUGGESTED SPARE PARTS

MVC82VGV/VGVW PLATE COMPACTOR

1 to 3 units

Qty.	P/N	Description
3070100312.....	V-BELT
4939010254.....	SHOCK ABSORBER

NOTICE

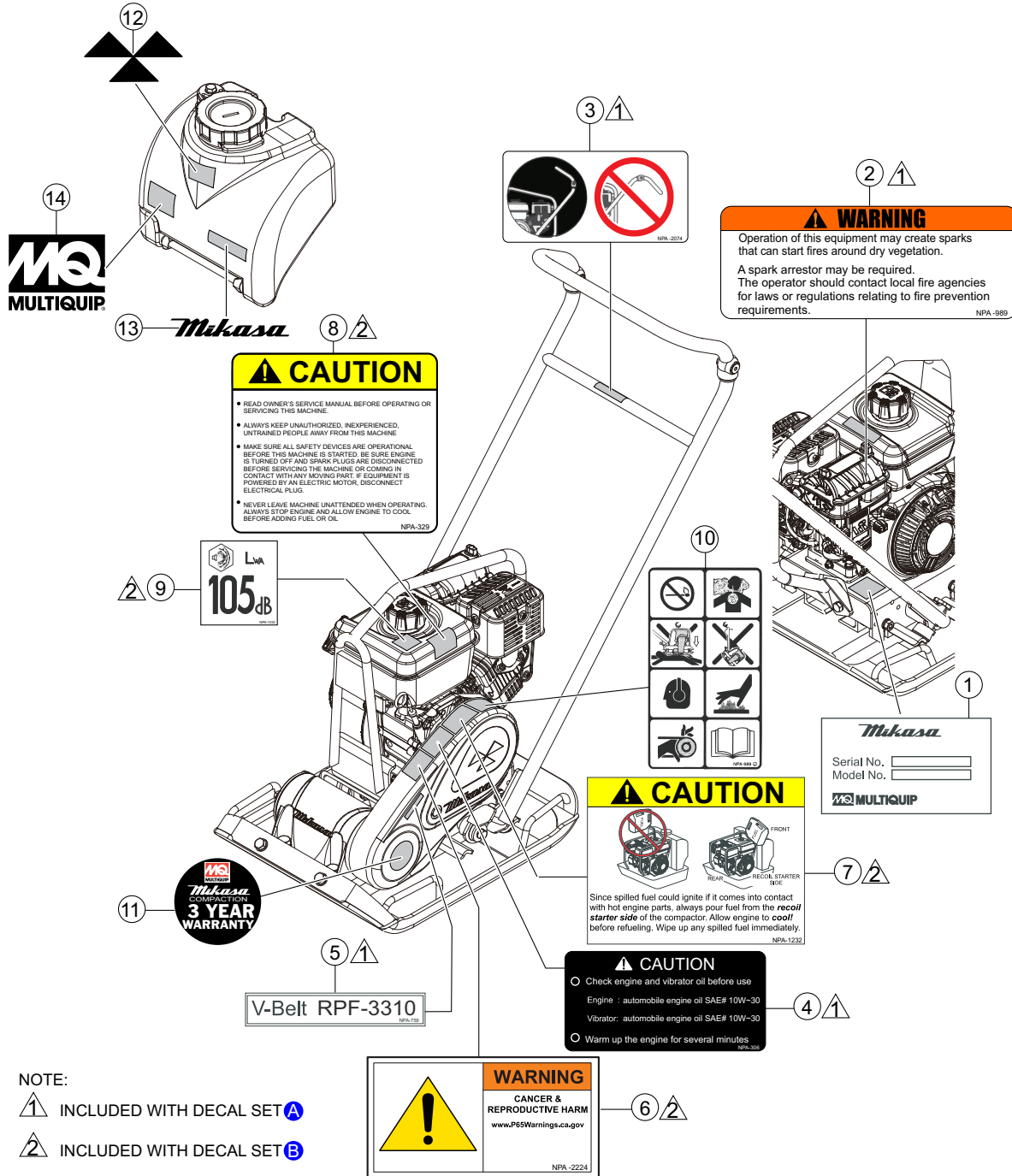
Part numbers on this Suggested Spare Parts list may supersede/replace the part numbers shown in the following parts lists.

B&S VANGUARD 160 ENGINE

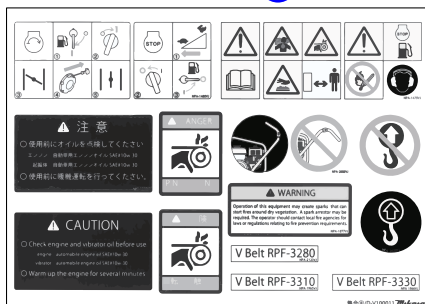
1 to 3 units

Qty.	P/N	Description
3597383.....	SPARK PLUG
1596772.....	STARTER, REWIND ASSY.
384002309.....	FILTER, AC CARTRIDGE
1596765.....	CAP, FUEL TANK
1792917.....	FILTER, FUEL TANK

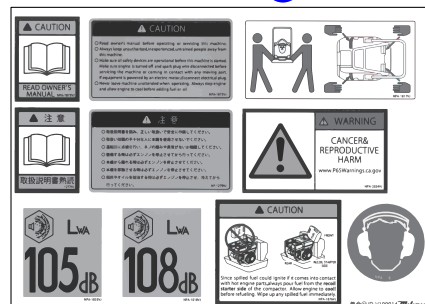
NAMEPLATE AND DECALS



DECAL SET **A**



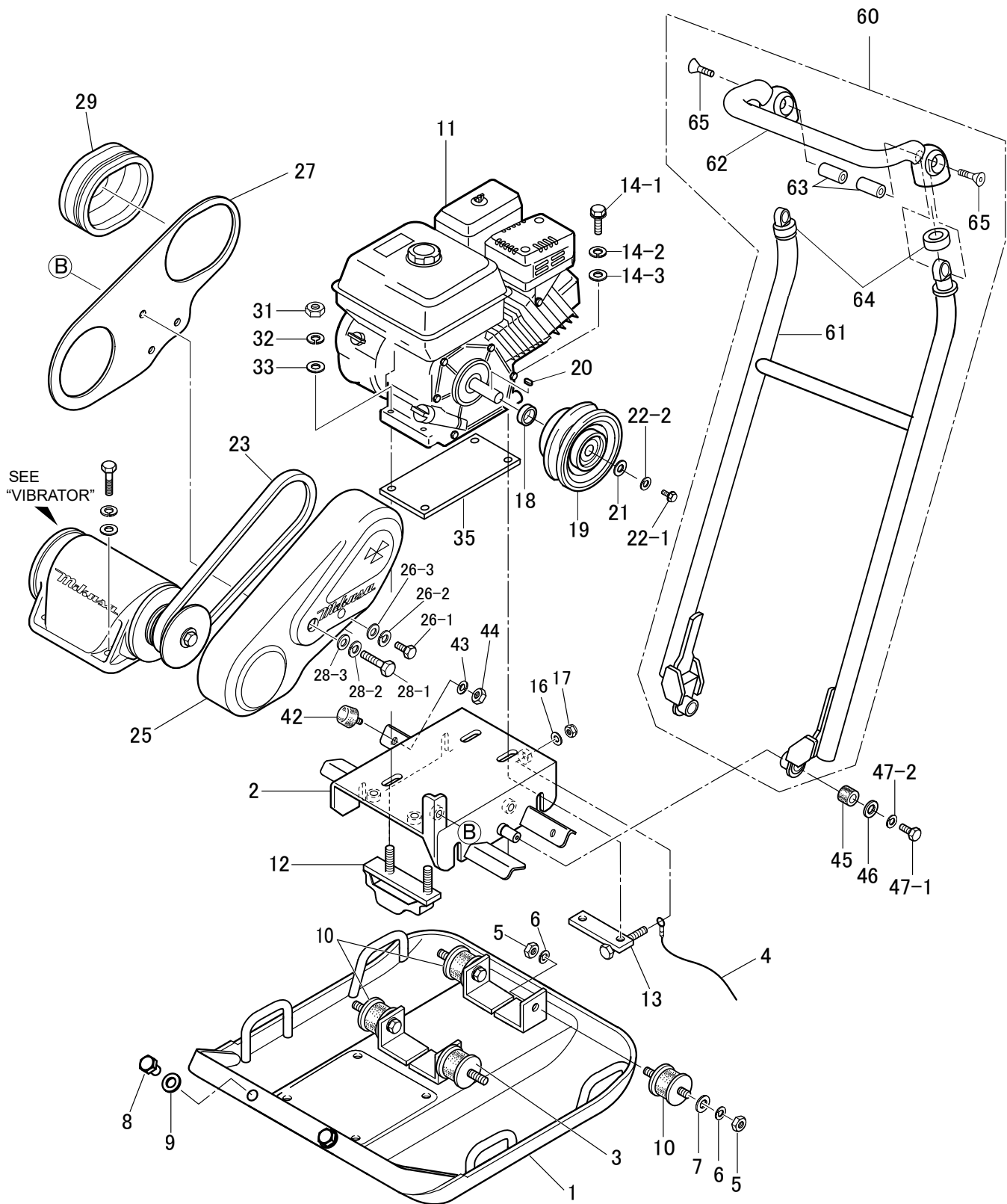
DECAL SET **B**



NAMEPLATE AND DECALS

<u>NO.</u>	<u>PART NO.</u>	<u>PART NAME</u>	<u>QTY.</u>	<u>REMARKS</u>
A	920900290	DECAL, SET	1.....	D-V100011 INCLUDES ITEMS W/#
B	920900300	DECAL, SET	1.....	D-V100014 INCLUDES ITEMS W/%
1		PLATE, SERIAL NO.....	1.....	CONTACT MQ PARTS DEPT.
2#		DECAL, ENGINE FIRE WARNING.....	1.....	NPA-1410/P/N 920214100
3#		DECAL, HANDLE POSITION	1.....	NPA-2074
4#		DECAL, CHECK ENGINE OIL.....	1.....	NPA-306/P/N 920203060
5#		DECAL, V-BELT (RPF-3310)	1.....	NPA-759/P/N 920207590
6%		DECAL, PROPOSITION 65.....	1.....	NPA-2224
7%		DECAL, CAUTION, FUEL.....	1.....	NPA-1232/P/N920212320
8%		DECAL, CAUTION READ MANUAL.....	1.....	NPA-329/P/N 920203290
9%		DECAL, NOISE LEVEL.....	1.....	NPA-1033
10	920209890	DECAL, CAUTION (ICONS).....	1.....	NPA-989/P/N 920209890
11	920224750	DECAL, MQ, 3YEARS WARRANTY.....	1.....	NPA-2475
12	920113140	DECAL, MIKASA LOGO (BLACK, 40X80 MM)..	1.....	NPA-1314 WATER TANK
13	920114000	DECAL, MIKASA LOGO (125 MM) BLACK	1.....	NPA-1400 WATER TANK
14	920201580	DECAL, MQ LOGO 71X55 MM	1.....	NPA-158 WATER TANK

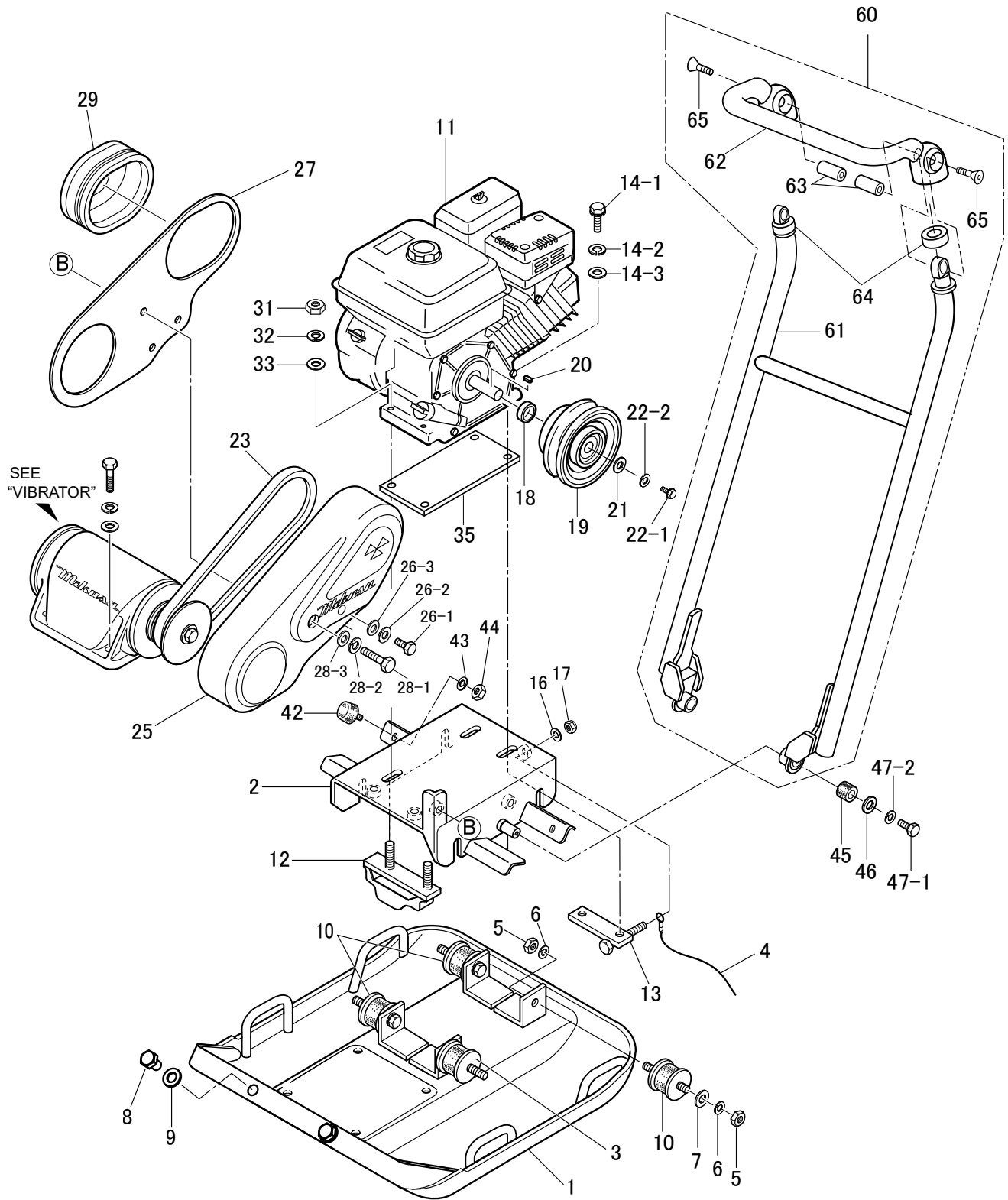
BODY ASSY.



BODY ASSY.

<u>NO.</u>	<u>PART NO.</u>	<u>PART NAME</u>	<u>QTY.</u>	<u>REMARKS</u>
1	419119554	VIB. PLATE 570X450	1	
2	419217803	BASE	1	
3	939010254	SHOCK ABSORBER D45xH41	4	REPLACES P/N 939010400
4	959404350	EARTH WIRE	1	
5	020310080	NUT M10	8	
6	030210250	WASHER, LOCK M10	8	
7	031110160	WASHER, FLAT M10	4	
8	001221220	BOLT 12X20	2	
9	031112230	WASHER, FLAT M12	2	
10	939010401	SHOCK ABSORBER D45xH41/L81	3	
11	918205101	ENGINE, VANGUARD 160, 10V3320051F1	1	
12	419475930	BOLT, ENGINE	1	
13	413436870	ENGINE NUT, REAR	1	
14-1	001220850	BOLT 8X50	2	
14-2	030208200	WASHER, LOCK M8	2	
14-3	0401450080	WASHER, FLAT M8.....	2	REPLACES P/N 031108160
16	0401450080	WASHER, FLAT M8.....	1	REPLACES P/N 031108160
17	022710809	NYLON NUT M8	1	
18	419475940	CLUTCH, SPACER	1	
19	413332920	CLUTCH ASSEMBLY	1	
20	951401740	KEY, 5X5X20	1	
21	952400130	WASHER	1	
22	030208200	WASHER, LOCK M8	1	
22-1	001220820	BOLT 8X20	1	
22-2	030208200	WASHER, LOCK M8	1	
23	070100312	V-BELT RPF3310	1	
25	418216470	BELT COVER	1	
26-1	012210035	BOLT 10X35	1	REPLACES P/N 001221035
26-2	030210250	WASHER, LOCK M10	1	
26-3	031110160	WASHER, FLAT M10	1	
27	418216480	BELT COVER (IN)	1	
28-1	001221053	BOLT 10X65	1	
28-2	030210250	WASHER, LOCK M10	1	
28-3	031110160	WASHER, FLAT M10	1	
29	418343421	COVER SEAL (E/G)	1	
31	020108060	NUT M8.....	4	REPLACES P/N 020308060
32	030208200	WASHER, LOCK M8	4	
33	0401450080	WASHER, FLAT M8.....	2	REPLACES P/N 031108160
35	419475950	SPACER, ENGINE	1	
42	939010290	RUBBER, HANDLE	2	
43	030208200	WASHER, LOCK M8	2	
44	020108060	NUT M8.....	2	REPLACES P/N 020308060

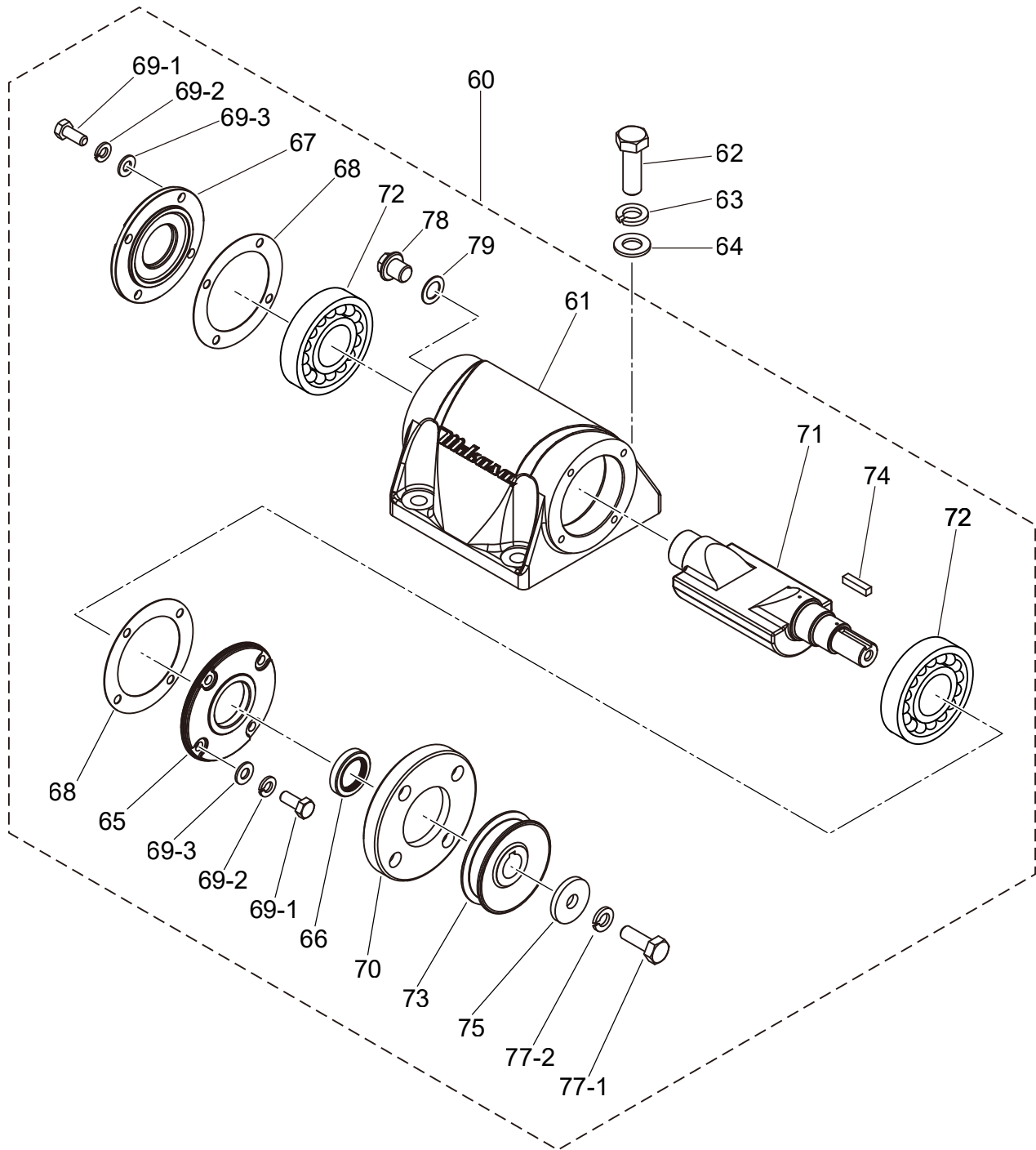
BODY ASSY. (CONT'D.)



BODY ASSY. (CONT'D.)

<u>NO.</u>	<u>PART NO.</u>	<u>PART NAME</u>	<u>QTY.</u>	<u>REMARKS</u>
45	404433430	RUBBER 20X32X28.5	2	
46	952403450	WASHER 11X35X4.5	2	
47-1	012210020	BOLT 10X20	2.....	REPLACES P/N 001221020
47-2	030210250	WASHER, LOCK M10	2	
60	419910011	VAS HANDLE ASSEMBLY.....	1.....	INCLUDES ITEMS W/#
61#	419219561	VAS HANDLE BODY	1	
62#	419217810	GRIP, VAS HANDLE	1	
63#	416459320	HANDLE NUT, VAS HANDLE	2	
64#	416459341	RUBBER, VAS HANDLE	2	
65#	009120407	SUNK HEAD BOLT 10X20	2	

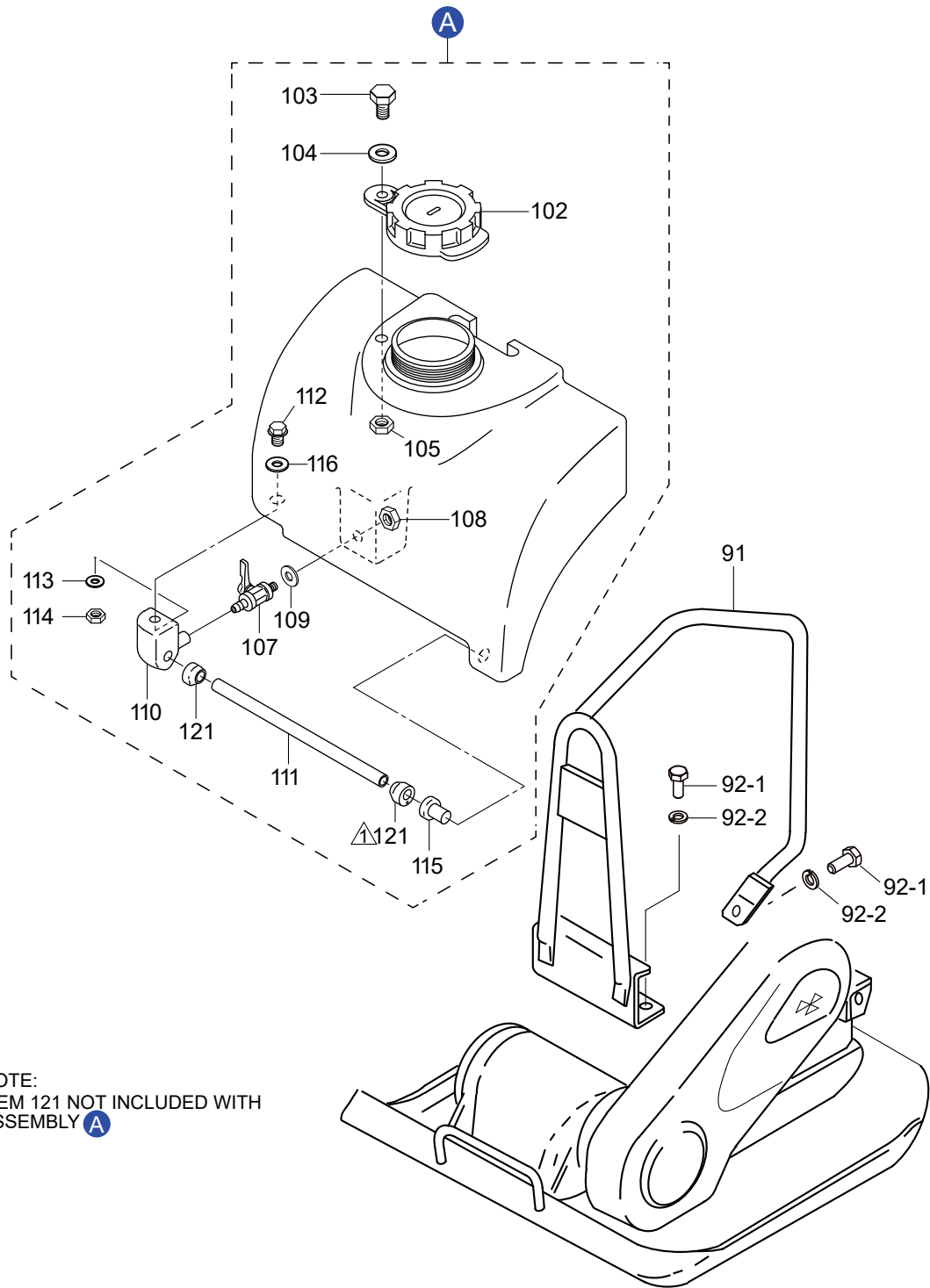
VIBRATOR ASSY.



VIBRATOR ASSY.

<u>NO.</u>	<u>PART NO.</u>	<u>PART NAME</u>	<u>QTY.</u>	<u>REMARKS</u>
60	418910119-OR	VIB., CASE ASSEMBLY, ORANGE	1.....	INCLUDES ITEMS W/\$
61\$	418117739-OR	VIBRATING CASE, ORANGE	1	
62	001221445	BOLT 14X45	4	
63	030214350	WASHER, LOCK M14	4	
64	031114260	WASHER, FLAT M14	4	
65\$	418464310	CASE COVER/PULLEY	1	
66\$	060403020	OIL SEAL	1	
67\$	418456960	CASE COVER/SHUT OFF	1	
68\$	418456971	PACKING	2	
69-1\$	014208020	BOLT 8X20	8.....	REPLACES P/N 001220820
69-2\$	030208200	WASHER, LOCK M8	8	
69-3\$	031108160	WASHER, FLAT M8	8	
70\$	418464511	COVER SEAL, VIBRATOR	1	
71\$	418343630	ECCENTRIC ROTOR SHAFT	1	
72\$	040306307	BEARING 6307C4	2.....	REPLACES P/N 040406307
73\$	418456989	PULLEY/VIB., ORANGE	1	
74\$	951401920	KEY 7X7X30	1	
75\$	952403450	WASHER 11X35X4.5	1	
77-1\$	012010030	BOLT 10X30	1.....	REPLACES P/N 001221030
77-2\$	030210250	WASHER, LOCK M10	1	
78\$	953405270	PLUG 1/4X14 13L	1	
79\$	953405260	PACKING 1/4 (CU)	1	

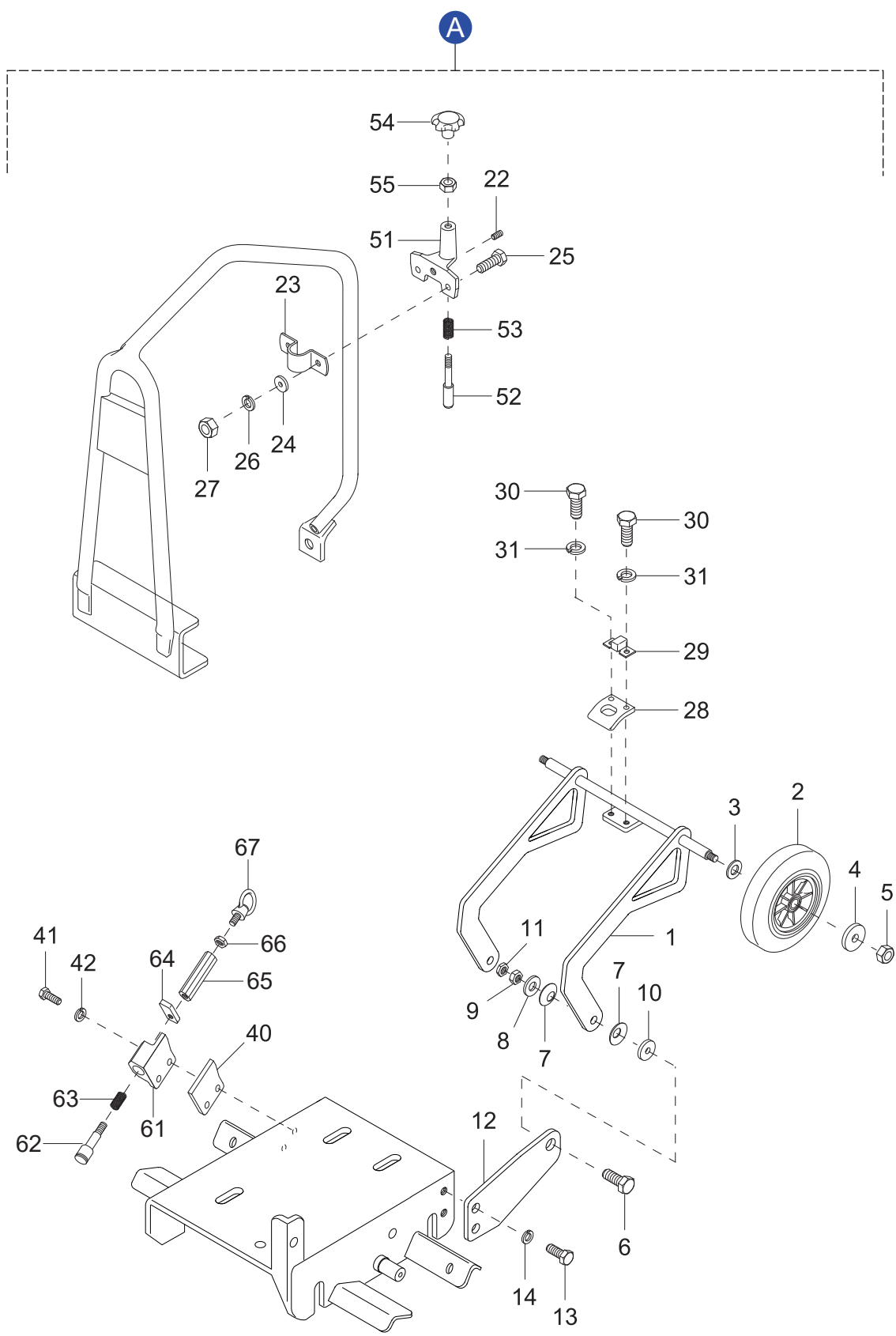
WATER TANK ASSY. (MVC82VGW ONLY)



WATER TANK ASSY. (MVC82VGVW ONLY)

<u>NO.</u>	<u>PART NO.</u>	<u>PART NAME</u>	<u>QTY.</u>	<u>REMARKS</u>
A	352678	WATER TANK ASSY.....	1.....	INCLUDES ITEMS W/#
91	418122410	GUARD HOOK	1	
92-1	001221025	BOLT 10X25	3	
92-2	030210250	WASHER, LOCK M10	3	
102#	954300343	CAP, WATER TANK	1	
103#	001241030	BOLT 10X30	1	
104#	033910160	WASHER, FLAT M10	2	
105#	022910270	NUT M10	1	
107#	954403241	WATER VALVE ASSEMBLY	1	
108#	959403790	NUT PS-1/4	1	
109#	953408270	PACKING 11.5X19.5X1	1	
110#	416338940	PIPE HOLDER (L)	1	
111#	418344110	SPRINKLING PIPE	1	
112#	001740825	FLANGE BOLT 8X25	1	
113#	030208200	WASHER, FLAT M8.....	1.....	REPLACES P/N 033910110
114#	020108060	NUT M8.....	1.....	REPLACES P/N 020308064
115#	418457010	RUBBER CAP	1	
116#	953407410	PACKING 8X15X2	1	
121	418457890	RUBBER INSERT, SPRINKLER PIPE	2	

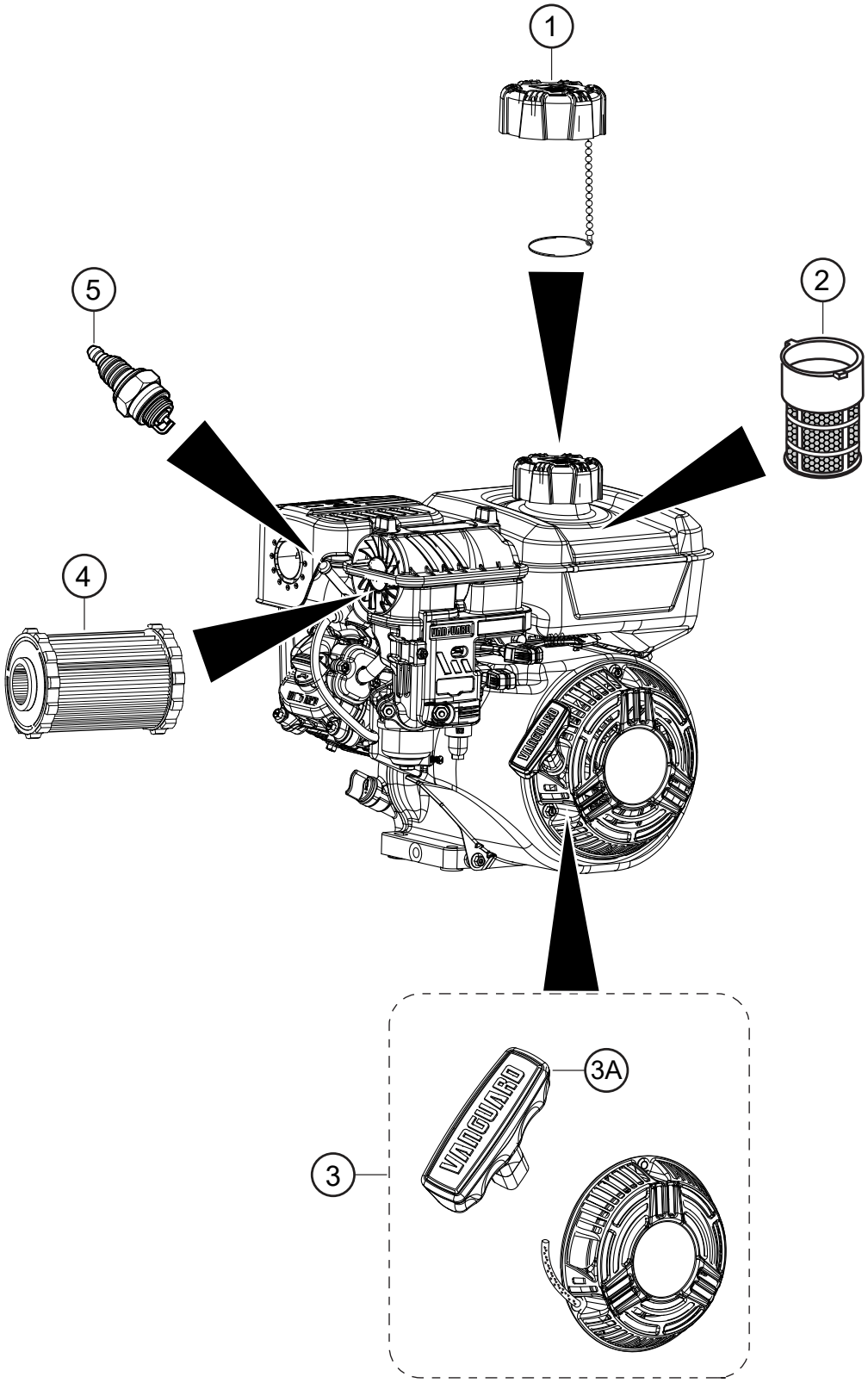
WHEEL KIT ASSY.



WHEEL KIT ASSY.

<u>NO.</u>	<u>PART NO.</u>	<u>PART NAME</u>	<u>QTY.</u>	<u>REMARKS</u>
A	353497	WHL82 WHEEL KIT ASSY.....	1.....	INCLUDES ITEMS W/#
1#	419354470	FRAME AXLE, WHL82	1	
2#	959411020	WHEEL 12DX125X42B/T90	2	
3#	031112230	WASHER, FLAT M12	2	
4#	952402610	WASHER 8.5X25X3	2	
5#	020108060	NUT M8.....	2.....	REPLACES P/N 020308060
6#	012210035	BOLT 10X35	2.....	REPLACES P/N 001221035
7#	032110180	CONICAL SPRING WASHER M10	4	
8#	031110160	WASHER, FLAT M10	2	
9#	020310080	NUT M10	2	
10#	031110160	WASHER 11X25X3.2.....	2.....	REPLACES P/N 952401440
11#	020310080	NUT M10.....	2.....	REPLACES P/N 020410060
12#	419463780	STAY AXLE, CART	2	
13#	011008015	BOLT 8X15	4.....	REPLACES P/N 001220815
14#	030208200	WASHER, LOCK M8	4	
22#	098208008	SOCKET HEAD BOLT 8X8	1	
23#	418467140	PIPE, SUPPORT FITING	1	
24#	952401690	WASHER 6.5X17X3	2	
25#	011206020	BOLT 6X20	2.....	REPLACES P/N 001220620
26#	030206150	WASHER, LOCK M6	2	
27#	020106050	NUT M6.....	2.....	REPLACES P/N 020306050
28#	418467270	LOCK PLATE, V-AXLE	1	
29#	418467150	STOPPER, RUBBER	1	
30#	001220616	BOLT 6X16	2	
31#	030206150	WASHER, LOCK M6	2	
40#	419469950	SPACER AXLE, CART	1	
41#	011208025	BOLT 8X25	2.....	REPLACES P/N 001220825
42#	030208200	WASHER, LOCK M8	2	
51#	418352500	LOCK, BRACKET	1	
52#	418467260	STOPPER, PIN L-BRACKET	1	
53#	458450880	SPRING	1	
54#	959408900	KNOB	1	
55#	020408050	NUT M8, SPECIAL	1	
61#	418352520	STOPPER BRACKET	1	
62#	418467290	STOPPER PIN, HANDLE	1	
63#	418467160	SPRING, STOPPER	1	
64#	418467280	STOPPER	1	
65#	952409750	NUT M8	1	
66#	020408050	NUT M8	1	
67#	009120601	EYE BOLT 8X15	1	

ENGINE SERVICE PARTS



ENGINE SERVICE PARTS

<u>NO.</u>	<u>PART NO.</u>	<u>PART NAME</u>	<u>QTY.</u>	<u>REMARKS</u>
1	596765	CAP, FUEL TANK	1	
2	792917	FILTER, FUEL TANK	1	
3	596772	STARTER, REWIND ASSEMBLY	1.....	INCLUDES ITEM W/\$
3A\$	597080	GRIP, STARTER ROPE	1	
4	84002309	FILTER, AC CARTRIDGE	1	
5	597383	SPARK PLUG	1	

PARTS MANUAL

HERE'S HOW TO GET HELP

PLEASE HAVE THE MODEL AND SERIAL
NUMBER ON-HAND WHEN CALLING

UNITED STATES

Multiquip Inc.

(310) 537- 3700
6141 Katella Avenue Suite 200
Cypress, CA 90630
E-MAIL: mq@multiquip.com
WEBSITE: www.multiquip.com

CANADA

Multiquip

(450) 625-2244
4110 Industriel Boul.
Laval, Quebec, Canada H7L 6V3
E-MAIL: infocanada@multiquip.com

UNITED KINGDOM

Multiquip (UK) Limited Head Office

0161 339 2223
Unit 2, Northpoint Industrial Estate,
Globe Lane,
Dukinfield, Cheshire SK16 4UJ
E-MAIL: sales@multiquip.co.uk

© COPYRIGHT 2023, MULTIQUIP INC.

Multiquip Inc, the MQ logo are registered trademarks of Multiquip Inc. and may not be used, reproduced, or altered without written permission. All other trademarks are the property of their respective owners and used with permission.

This manual MUST accompany the equipment at all times. This manual is considered a permanent part of the equipment and should remain with the unit if resold.

The information and specifications included in this publication were in effect at the time of approval for printing. Illustrations, descriptions, references and technical data contained in this manual are for guidance only and may not be considered as binding. Multiquip Inc. reserves the right to discontinue or change specifications, design or the information published in this publication at any time without notice and without incurring any obligations.

