

# PARTS MANUAL



*Mikasa* SERIES  
**MODEL MVC82VH/VHW**  
**ONE-WAY PLATE COMPACTOR**  
(HONDA GX160U1SM12, GX160U1SMX4,  
GX160UT2QMXC, GX160UT2SMXC and  
GX160UT2SCM GASOLINE ENGINES)

Revision #6 (01/03/24)

To find the latest revision of this publication or  
associated operation manual, visit our website  
at: [www.multiquip.com](http://www.multiquip.com)



THIS MANUAL MUST ACCOMPANY THE EQUIPMENT AT ALL TIMES.

**MVC82VH/VHW  
Plate Compactor**

Explanation Of Code In Remarks Column..... 4  
Suggested Spare Parts ..... 5

**Compactor Component Drawings**

Nameplate And Decals ..... 6-7  
Body Assembly .....8-11  
Vibrator Assembly..... 12-13  
Water Tank Assembly (MVC82VHW Only) ..... 14-15  
Engine Service Parts ..... 16-17

**NOTICE**  
Specifications and part numbers are subject to change without notice.



# EXPLANATION OF CODE IN REMARKS COLUMN

The following section explains the different symbols and remarks used in the Parts section of this manual. Use the help numbers found on the back page of the manual if there are any questions.

## NOTICE

The contents and part numbers listed in the parts section are subject to change without notice. Multiquip does not guarantee the availability of the parts listed.

## SAMPLE PARTS LIST

NO.	PART NO.	PART NAME	QTY.	REMARKS
1	12345	BOLT .....	1	INCLUDES ITEMS W/%
2%		WASHER, 1/4 IN. ....		NOT SOLD SEPARATELY
2%	12347	WASHER, 3/8 IN. ...	1	MQ-45T ONLY
3	12348	HOSE .....	A/R	MAKE LOCALLY
4	12349	BEARING .....	1	S/N 2345B AND ABOVE

## NO. Column

**Unique Symbols** — All items with same unique symbol (@, #, +, %, or >) in the number column belong to the same assembly or kit, which is indicated by a note in the “Remarks” column.

**Duplicate Item Numbers** — Duplicate numbers indicate multiple part numbers, which are in effect for the same general item, such as different size saw blade guards in use or a part that has been updated on newer versions of the same machine.

## NOTICE

When ordering a part that has more than one item number listed, check the remarks column for help in determining the proper part to order.

## PART NO. Column

**Numbers Used** — Part numbers can be indicated by a number, a blank entry, or TBD.

TBD (To Be Determined) is generally used to show a part that has not been assigned a formal part number at the time of publication.

A blank entry generally indicates that the item is not sold separately or is not sold by Multiquip. Other entries will be clarified in the “Remarks” Column.

## QTY. Column

**Numbers Used** — Item quantity can be indicated by a number, a blank entry, or A/R.

A/R (As Required) is generally used for hoses or other parts that are sold in bulk and cut to length.

A blank entry generally indicates that the item is not sold separately. Other entries will be clarified in the “Remarks” Column.

## REMARKS Column

Some of the most common notes found in the “Remarks” Column are listed below. Other additional notes needed to describe the item can also be shown.

**Assembly/Kit** — All items on the parts list with the same unique symbol will be included when this item is purchased.

Indicated by:

“INCLUDES ITEMS W/(unique symbol)”

**Serial Number Break** — Used to list an effective serial number range where a particular part is used.

Indicated by:

“S/N XXXXX AND BELOW”

“S/N XXXX AND ABOVE”

“S/N XXXX TO S/N XXX”

**Specific Model Number Use** — Indicates that the part is used only with the specific model number or model number variant listed. It can also be used to show a part is NOT used on a specific model or model number variant.

Indicated by:

“XXXXX ONLY”

“NOT USED ON XXXX”

**“Make/Obtain Locally”** — Indicates that the part can be purchased at any hardware shop or made out of available items. Examples include battery cables, shims, and certain washers and nuts.

**“Not Sold Separately”** — Indicates that an item cannot be purchased as a separate item and is either part of an assembly/kit that can be purchased, or is not available for sale through Multiquip.

## SUGGESTED SPARE PARTS

### MVC82VH/VHW PLATE COMPACTOR

#### 1 to 3 units

Qty.	P/N	Description
3	.....070100312.....	V-BELT
4	.....939010254.....	SHOCK ABSORBER

#### NOTICE

Part numbers on this Suggested Spare Parts list may supersede/replace the part numbers shown in the following parts lists.

### HONDA GX160U1SM12 ENGINE

#### 1 to 3 units

Qty.	P/N	Description
3	.....9807956846.....	SPARK PLUG
1	.....28462ZH8003.....	ROPE, RECOIL STARTER
3	.....17210ZE1517.....	ELEMENT, AIR CLEANER
1	.....17620Z4H900.....	CAP, FUEL TANK
1	.....17672ZE2W01.....	FUEL FILTER, FUEL TANK

### HONDA GX160U1SMX4 ENGINE

#### 1 to 3 units

Qty.	P/N	Description
3	.....0650140480.....	SPARK PLUG
1	.....28462ZH8003.....	ROPE, RECOIL STARTER
3	.....17210ZE1517.....	ELEMENT, AIR CLEANER
1	.....17620Z4H900.....	CAP, FUEL TANK
1	.....17672Z4H000.....	FUEL FILTER, FUEL TANK

### HONDA GX160UT2QMXC ENGINE

#### 1 to 3 units

Qty.	P/N	Description
3	.....0650140480.....	SPARK PLUG
1	.....28462ZH8003.....	ROPE, RECOIL STARTER
3	.....17210ZE1517.....	ELEMENT, AIR CLEANER
1	.....17620Z4H900.....	CAP, FUEL TANK
1	.....17672Z4H000.....	FUEL FILTER, FUEL TANK

### HONDA GX160UT2SMXC ENGINE

#### 1 to 3 units

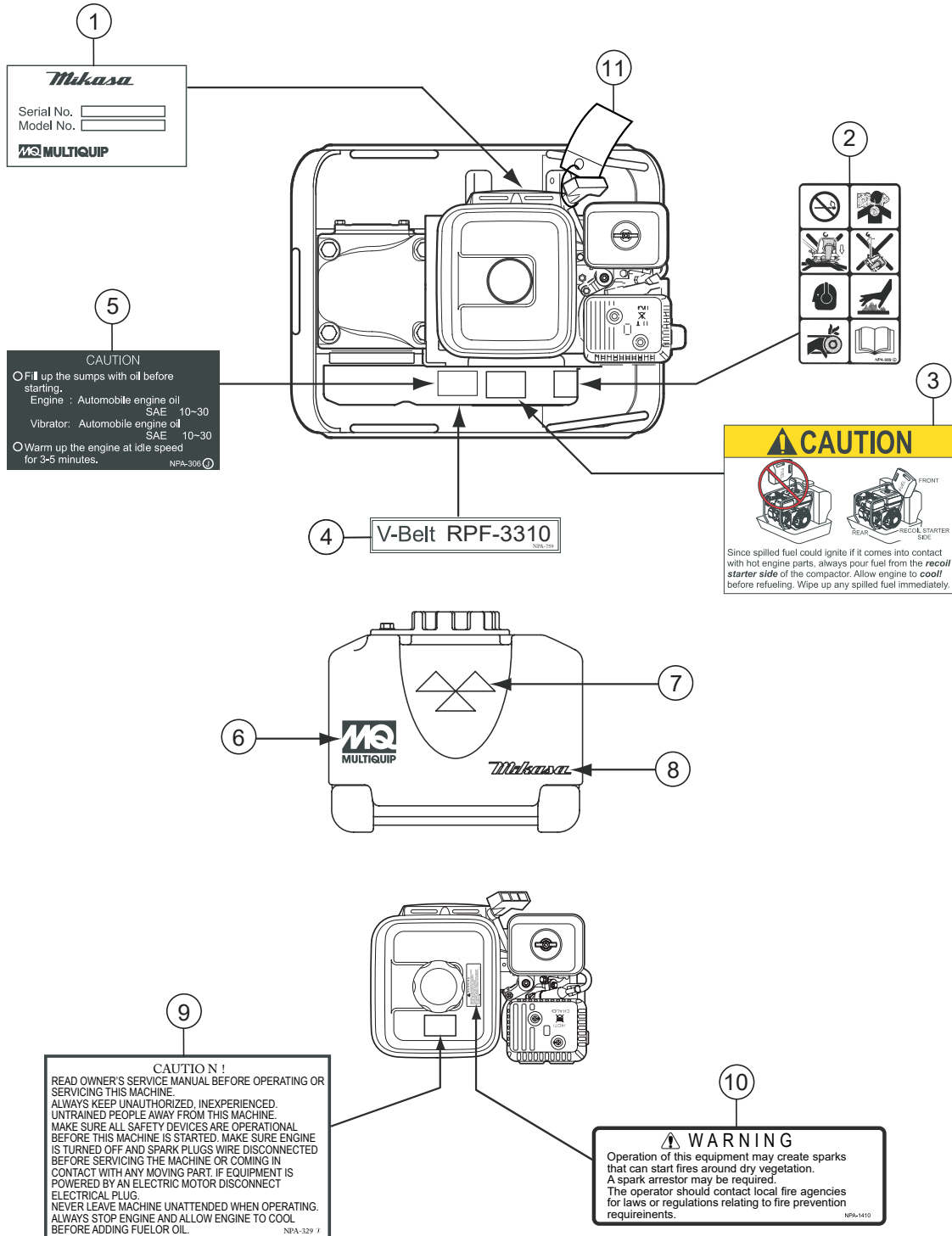
Qty.	P/N	Description
3	.....0650140480.....	SPARK PLUG
1	.....28462ZH8003.....	ROPE, RECOIL STARTER
3	.....17210ZE1517.....	ELEMENT, AIR CLEANER
1	.....17620Z4H900.....	CAP, FUEL TANK
1	.....17672Z4H000.....	FUEL FILTER, FUEL TANK

### HONDA GX160UT2SCM ENGINE

#### 1 to 3 units

Qty.	P/N	Description
3	.....0650140480.....	SPARK PLUG
1	.....28462ZH8003.....	ROPE, RECOIL STARTER
3	.....17210Z0V781.....	ELEMENT, AIR CLEANER
1	.....17620Z4H900.....	CAP, FUEL TANK
1	.....17672Z4H000.....	FUEL FILTER, FUEL TANK

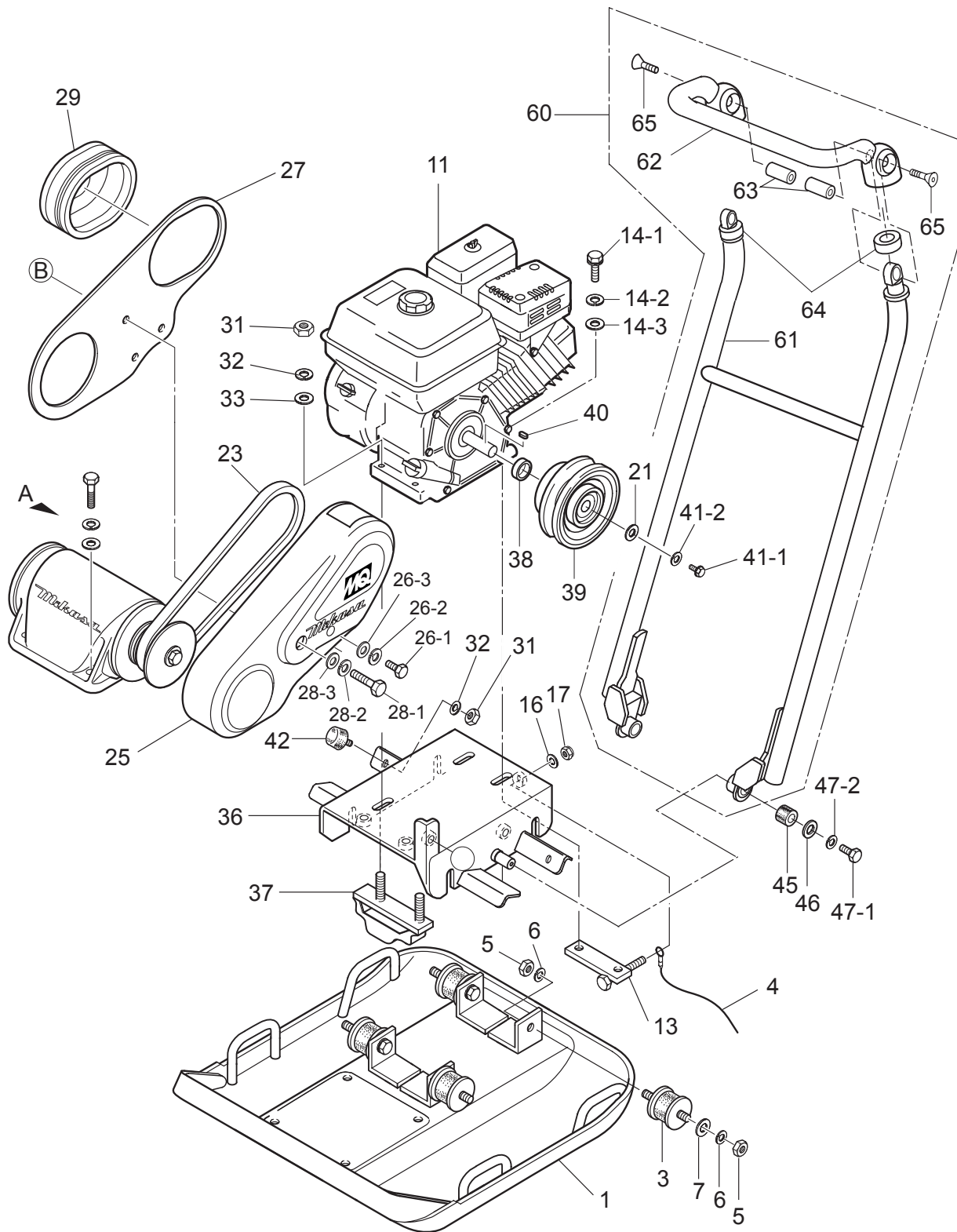
# NAMEPLATE AND DECALS



## NAMEPLATE AND DECALS

<b>NO.</b>	<b>PART NO.</b>	<b>PART NAME</b>	<b>QTY.</b>	<b>REMARKS</b>
1		PLATE, SERIAL NO.....	1.....	CONTACT MQ PARTS DEPT.
2	920209890	DECAL, CAUTION (ICON) .....	1.....	NPA-989
3	920212320	DECAL, FUEL CAUTION.....	1.....	NPA-1232
4	920207590	DECAL, V-BELT (RPF-3310) .....	1.....	NPA-759
5	920203060	DECAL, CAUTION.....	1.....	NPA-306
6	920201580	DECAL, MQ MARK 71X55	1	
7	920101410	DECAL, MIKASA MARK 120X60	1	
8	920105070	DECAL, MIKASA MARK 125MM	1	
9	920203290	DECAL, CAUTION.....	1.....	NPA-329
10	920214100	DECAL, ENGINE FIRE WARNING.....	1.....	NPA-1410 GX160U1SMX4, GX160UT2QMXC ONLY
11	920200870	DECAL, WITHOUT ENGINE OIL.....	1.....	NPA-87 GX160U1SMX4, GX160UT2QMXC ONLY

# BODY ASSY.

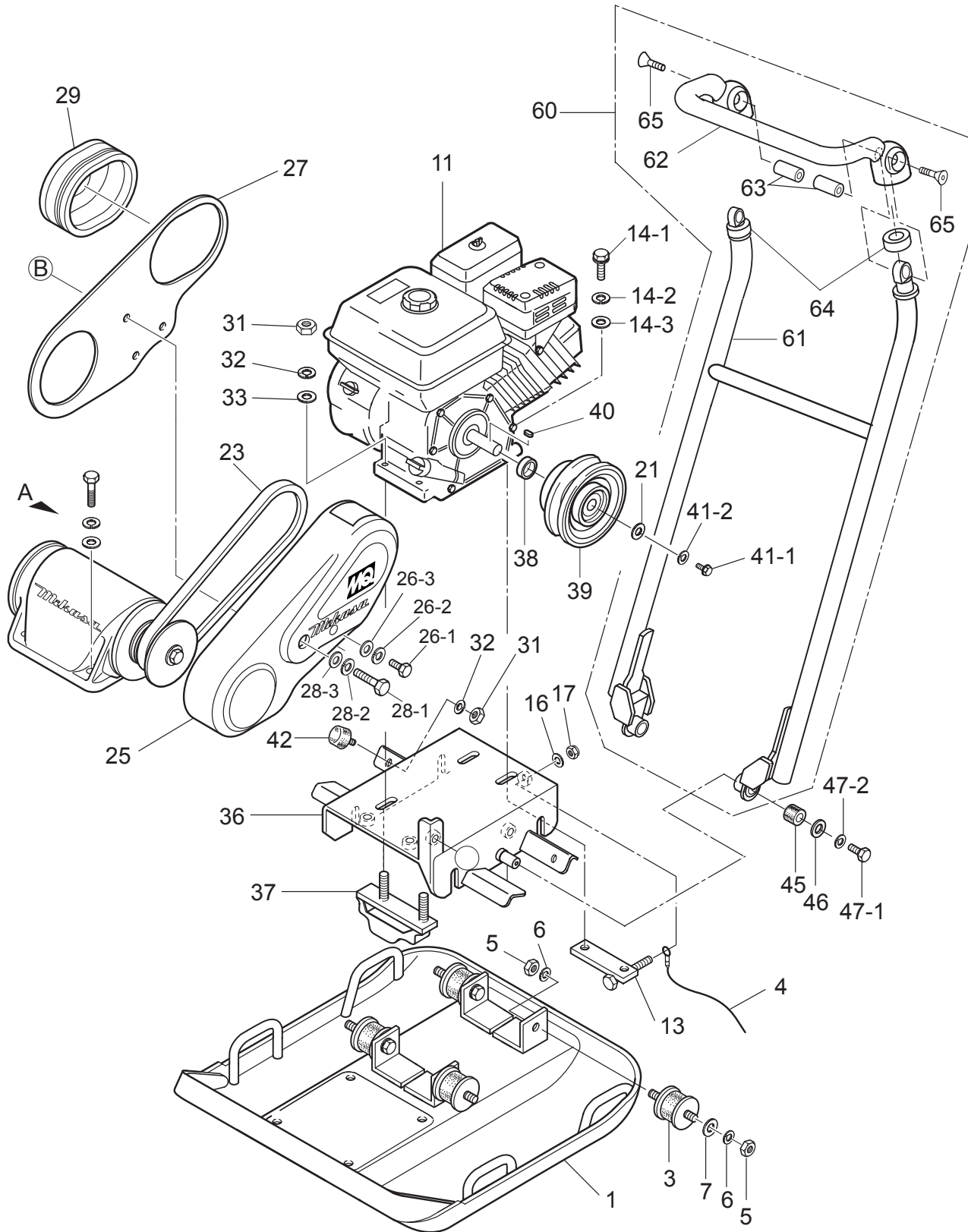




# BODY ASSY.

<u>NO.</u>	<u>PART NO.</u>	<u>PART NAME</u>	<u>QTY.</u>	<u>REMARKS</u>
1	419119550	VIB. PLATE 570X450	1	
3	939010254	SHOCK ABSORBER D45H41	4	
4	959404350	EARTH WIRE	1	
5	020310080	NUT M10	8	
6	030210250	WASHER, LOCK M10	8	
7	031110160	WASHER, FLAT M10	4	
11	912216004	ENGINE ASSY., GX160U1SM12 .....	1	NO LONGER AVAILABLE
11	912216010	ENGINE ASSY., GX160U1SMX4	1	
11	912216022	ENGINE ASSY., GX160UT2SMXC	1	
11	912216023	ENGINE ASSY., GX160UT2SCM	1	
13	413436870	ENGINE NUT, REAR	1	
14-1	001220840	BOLT 8X40	2	
14-2	030208200	WASHER, LOCK M8	2	
14-3	0401450080	WASHER, FLAT M8 .....	2	REPLACES 031108160
16	0401450080	WASHER, FLAT M8 .....	1	REPLACES 031108160
17	022710809	NYLON NUT M8	1	
21	952400130	WASHER	1	
23	070100312	V-BELT RPF3310	1	
25	418216470	BELT COVER	1	
26-1	012210035	BOLT 10X35 .....	1	REPLACES 001221035
26-2	030210250	WASHER, LOCK M10	1	
26-3	031110160	WASHER, FLAT M10	1	
27	418216480	BELT COVER (IN)	1	
28-1	001221053	BOLT 10X65	1	
28-2	030210250	WASHER, LOCK M10	1	
28-3	031110160	WASHER, FLAT M10	1	
29	418343420	COVER SEAL (E/G)	1	
31	020108060	NUT M8 .....	4	REPLACES 020308060
32	030208200	WASHER, LOCK M8	4	
33	0401450080	WASHER, FLAT M8 .....	2	REPLACES 031108160
36	419217800	BASE	1	
37	418457750	BOLT, ENGINE	1	
38	408421270	CLUTCH SPACER 20.2X25X9.4	1	
39	413332920	CLUTCH ASSY.	1	
40	0053005201	KEY	1	
41-1	014208020	BOLT 8X20 .....	1	REPLACES 001220820
41-2	030208200	WASHER, LOCK M8	1	
42	939010290	RUBBER, HANDLE	2	

# BODY ASSY. (CONT'D.)

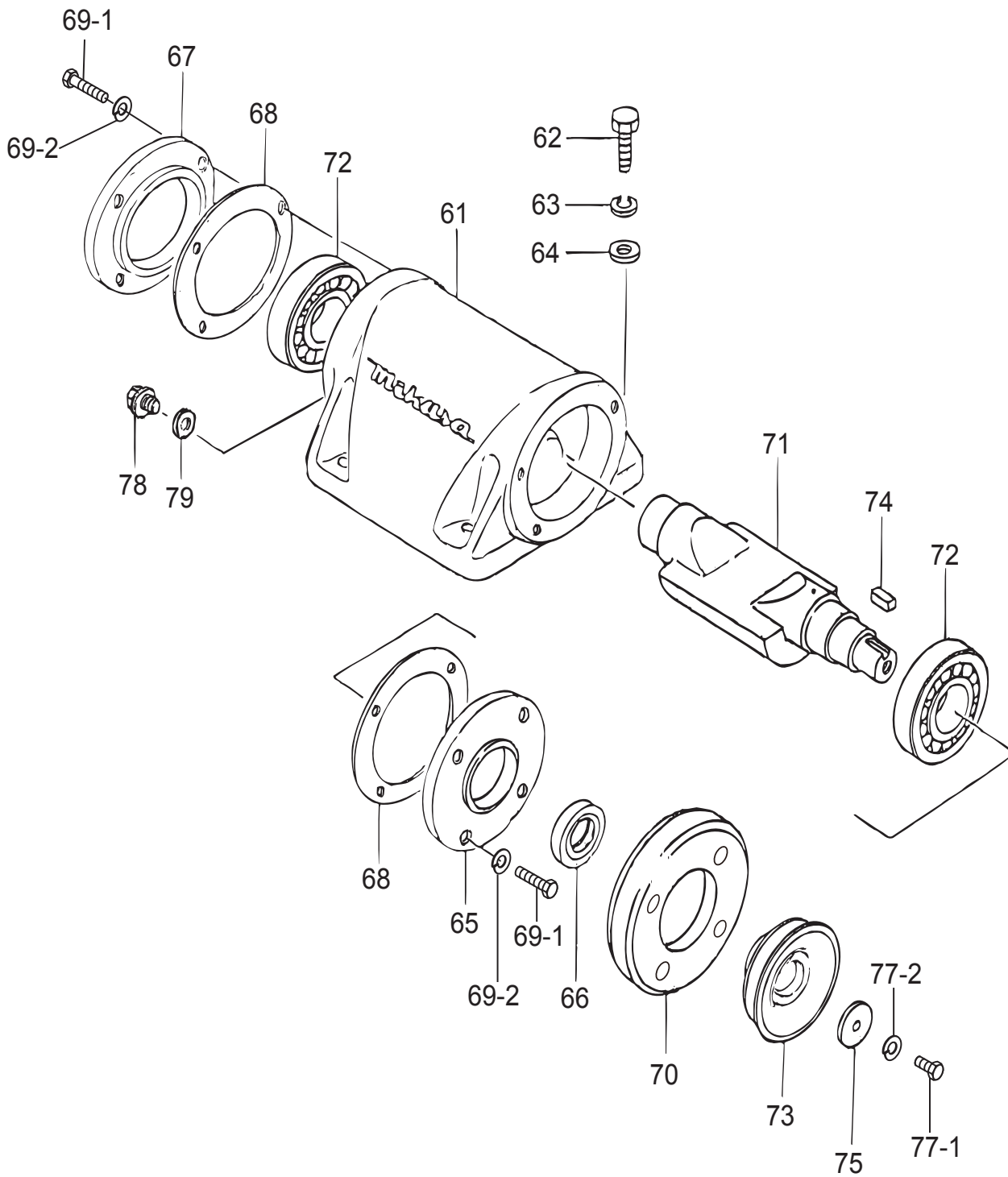


## BODY ASSY. (CONT'D.)

---

<u>NO.</u>	<u>PART NO.</u>	<u>PART NAME</u>	<u>QTY.</u>	<u>REMARKS</u>
45	404433430	RUBBER 20X32X28.5/52H	2	
46	952403450	WASHER 11X35X4.5	2	
47-1	012210020	BOLT 10X20 .....	2.....	REPLACES 001221020
47-2	030210250	WASHER, LOCK M10	1	
60	419910010	VAS HANDLE ASSY.....	1.....	INCLUDES ITEMS W/#
61#	419219560	VAS HANDLE BODY	1	
62#	419217810	GRIP, VAS HANDLE	1	
63#	416459320	HANDLE NUT, VAS HANDLE	2	
64#	416459340	RUBBER, VAS HANDLE	2	
65#	009120407	SUNK HEAD BOLT 10X20	2	

# VIBRATOR ASSY.

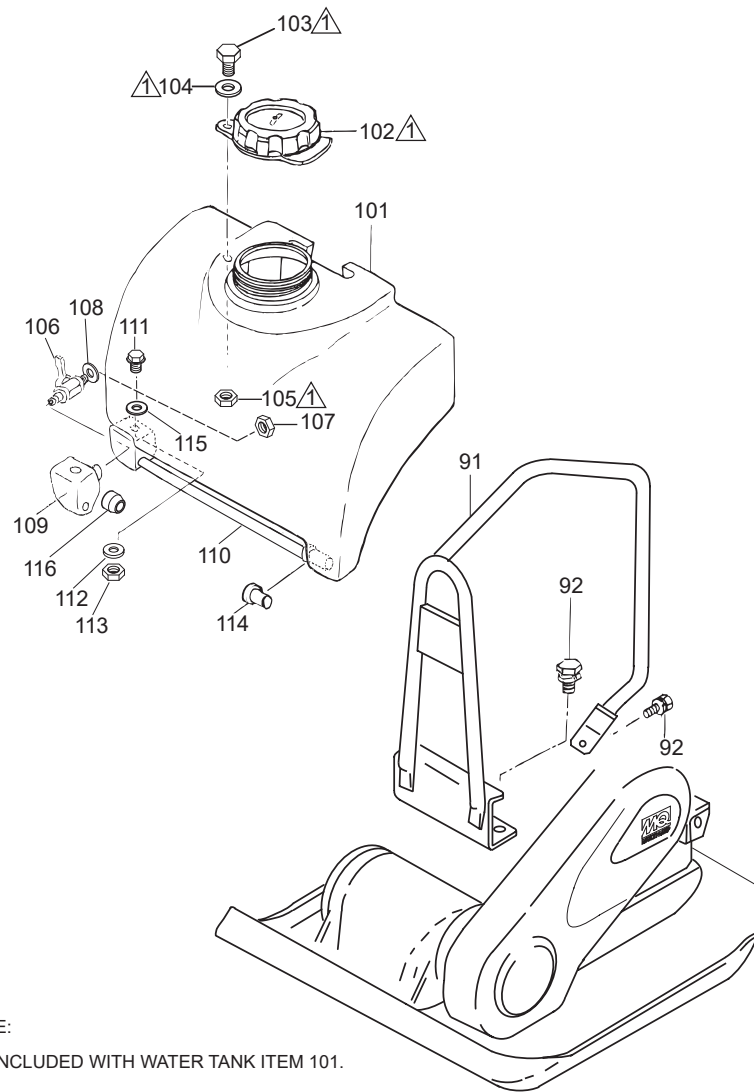


## VIBRATOR ASSY.

---

<u>NO.</u>	<u>PART NO.</u>	<u>PART NAME</u>	<u>QTY.</u>	<u>REMARKS</u>
61	418117730	VIBRATING CASE	1	
62	001221445	BOLT 14X45	4	
63	030214350	WASHER, LOCK M14	4	
64	031114260	WASHER, FLAT M14	4	
65	418456950	CASE COVER/PULLEY	1	
66	060403020	OIL SEAL	1	
67	418456960	CASE COVER/SHUT OFF	1	
68	418456970	PACKING	2	
69-1	014208020	BOLT 8X20 .....	8	REPLACES 001220820
69-2	030208200	WASHER, LOCK M8	8	
70	418460130	COVER SEAL, VIBRATOR	1	
71	418343630	ECCENTRIC ROTOR SHAFT	1	
72	040306307	BEARING 6307C4 .....	2	REPLACES 040406307
73	418456981	PULLEY/VIB.	1	
74	951401920	KEY 7X7X30	1	
75	952403450	WASHER 11X35X4.5	1	
77-1	012010030	BOLT 10X30 .....	1	REPLACES 001221030
77-2	030210250	WASHER, LOCK M10	1	
78	953400270	PLUG 1/4X14 10L	1	
79	953405260	PACKING 1/4 (CU)	1	

# WATER TANK ASSY. (MVC82VHW ONLY)

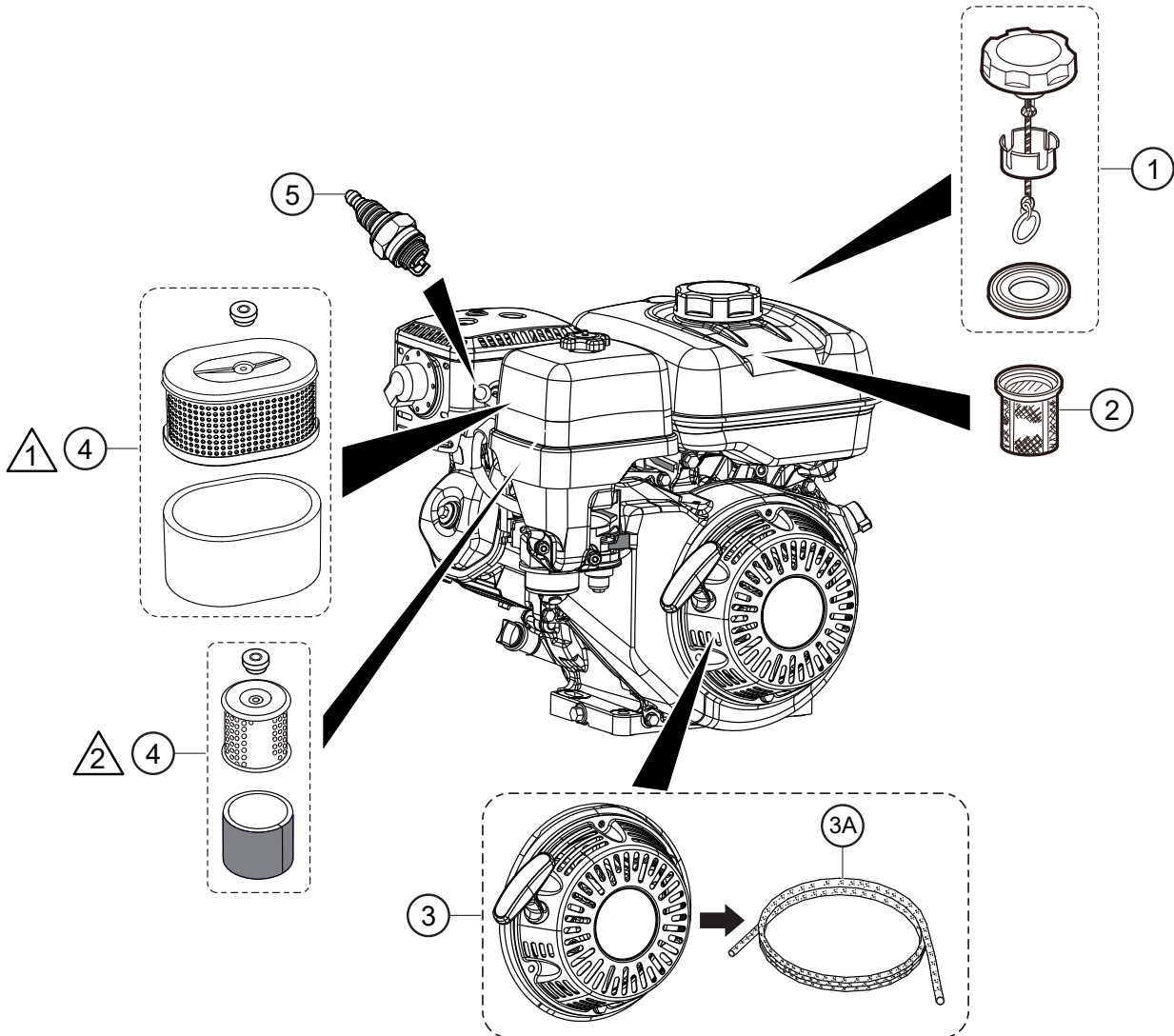


## **WATER TANK ASSY. (MVC82VHW ONLY)**

---

<u>NO.</u>	<u>PART NO.</u>	<u>PART NAME</u>	<u>QTY.</u>	<u>REMARKS</u>
91	418118581	GUARD HOOK	1	
92	012210025	BOLT 10X25 .....	3.....	REPLACES 002211025
101	418117740	WATER TANK W/CAP (ORANGE) .....	1.....	INCLUDES ITEMS W/#
102#	954300342	CAP, WATER TANK	1	
103#	01241030	BOLT 10X30	1	
104#	033910010	WASHER 10.5X21X2	2	
105#	022910180	NYLON NUT M10	1	
106	954403241	COCK PT1/4, ALUMINUM	1	
107	959403790	NUT PS-1/4	1	
108	953408270	PACKING 11.5X19.5	1	
109	416338940	PIPE HOLDER	1	
110	418344110	SPRINKLING PIPE	1	
111	001740825	BOLT, FLANGE 8X25	1	
112	030208200	WASHER, FLAT M8.....	2.....	REPLACES 033910110
113	020108060	NUT M8 .....	1.....	REPLACES 020308064
114	418457010	RUBBER CAP	1	
115	953407410	PACKING 8X19X2 .....	1.....	REPLACES 416453780
116	418457890	RUBBER INSERT, SPRINKLER PIPE	2	

# ENGINE SERVICE PARTS



## NOTES:

- ① FOR HONDA GX160U1SM12, GX160U1SMX4  
GX160UT2QMXC AND GX160UT2SMXC ENGINES.
- ② FOR HONDA GX160UT2SCM ENGINE.



## ENGINE SERVICE PARTS

<u>NO.</u>	<u>PART NO.</u>	<u>PART NAME</u>	<u>QTY.</u>	<u>REMARKS</u>
1	17620Z4H900	CAP, FUEL TANK	1	
2	17672ZE2W01	FUEL FILTER, FUEL TANK .....	1	GX160U1SM12
2	17672Z4H000	FUEL FILTER, FUEL TANK .....	1	GX160U1SMX4,GX160UT2QMXC, GX160UT2SMXC,GX160UT2SCM
3	28400ZH8023ZB	RECOIL STARTER ASSY. ....	1	INCLUDES ITEMS W/# GX160U1SM12, GX160U1SMX4
3	28400Z4M305ZB	RECOIL STARTER ASSY., RED.....	1	INCLUDES ITEMS W/% ENGINE S/N 252 AND BELOW GX160UT2QMXC, GX160UT2SMXC, GX160UT2SCM
3	28400Z4M305ZD	RECOIL STARTER ASSY., BLACK.....	1	INCLUDES ITEMS W/\$ ENGINE S/N 252 AND BELOW GX160UT2QMXC, GX160UT2SMXC, GX160UT2SCM
3	28400Z4M801ZB	RECOIL STARTER ASSY., RED.....	1	INCLUDES ITEMS W/@ ENGINE S/N 253 AND ABOVE GX160UT2QMXC, GX160UT2SMXC, GX160UT2SCM
3	28400Z4M801ZD	RECOIL STARTER ASSY., BLACK.....	1	INCLUDES ITEMS W/& ENGINE S/N 253 AND ABOVE GX160UT2QMXC, GX160UT2SMXC, GX160UT2SCM
3A	28462ZH8003	ROPE, RECOIL STARTER	1	
4	17210ZE1517	ELEMENT, AIR CLEANER.....	1	GX160U1SM12, GX160U1SMX4 GX160UT2QMXC, GX160UT2SMXC
4	17210Z0V781	ELEMENT, AIR CLEANER.....	1	GX160UT2SCM
5	9807956846	SPARK PLUG	1	

# PARTS MANUAL

## HERE'S HOW TO GET HELP

PLEASE HAVE THE MODEL AND SERIAL  
NUMBER ON-HAND WHEN CALLING

### UNITED STATES

#### *Multiquip Inc.*

(310) 537- 3700  
6141 Katella Avenue Suite 200  
Cypress, CA 90630  
E-MAIL: [mq@multiquip.com](mailto:mq@multiquip.com)  
WEBSITE: [www.multiquip.com](http://www.multiquip.com)

---

### CANADA

#### *Multiquip*

(450) 625-2244  
4110 Industriel Boul.  
Laval, Quebec, Canada H7L 6V3  
E-MAIL: [infocanada@multiquip.com](mailto:infocanada@multiquip.com)

### UNITED KINGDOM

#### *Multiquip (UK) Limited Head Office*

0161 339 2223  
Unit 2, Northpoint Industrial Estate, Globe Lane,  
Dukinfield, Cheshire SK16 4UJ  
E-MAIL: [sales@multiquip.co.uk](mailto:sales@multiquip.co.uk)

© COPYRIGHT 2023, MULTIQUIP INC.

Multiquip Inc, the MQ logo are registered trademarks of Multiquip Inc. and may not be used, reproduced, or altered without written permission. All other trademarks are the property of their respective owners and used with permission.

This manual MUST accompany the equipment at all times. This manual is considered a permanent part of the equipment and should remain with the unit if resold.

The information and specifications included in this publication were in effect at the time of approval for printing. Illustrations, descriptions, references and technical data contained in this manual are for guidance only and may not be considered as binding. Multiquip Inc. reserves the right to discontinue or change specifications, design or the information published in this publication at any time without notice and without incurring any obligations.

