

PARTS MANUAL



Mikasa

MODEL MVCe82VBW
ONE-WAY PLATE COMPACTOR
(HONDA GXE2.0H DC POWER UNIT
HONDA DP72104Z BATTERY)

Revision #1 (06/02/26)

To find the latest revision of this publication or associated operation manual, visit our website at: www.multiquip.com



THIS MANUAL MUST ACCOMPANY THE EQUIPMENT AT ALL TIMES.

**MVCe82VBW
Plate Compactor**

Explanation of Code in Remarks Column..... 4
Suggested Spare Parts 5

Component Drawings

Nameplate and Decals Assembly..... 6-7
Body Assembly 8-9
Electric Motor Assembly 10-11
Battery Tray Assembly 12-13
Hook and Handle Assembly 14-15
Water Tank Assembly (Option) 16-17
Transport Wheel Assembly (Option)..... 18-19
Vibrator Assembly..... 20-21

NOTICE
Specifications and part numbers are subject to change without notice.

EXPLANATION OF CODE IN REMARKS COLUMN

The following section explains the different symbols and remarks used in the Parts section of this manual. Use the help numbers found on the back page of the manual if there are any questions.

NOTICE

The contents and part numbers listed in the parts section are subject to change without notice. Multiquip does not guarantee the availability of the parts listed.

SAMPLE PARTS LIST

NO.	PART NO.	PART NAME	QTY.	REMARKS
1	12345	BOLT	1	INCLUDES ITEMS W/%
2%		WASHER, 1/4 IN.		NOT SOLD SEPARATELY
2%	12347	WASHER, 3/8 IN. ...	1	MQ-45T ONLY
3	12348	HOSE	A/R	MAKE LOCALLY
4	12349	BEARING	1	S/N 2345B AND ABOVE

NO. Column

Unique Symbols — All items with same unique symbol (@, #, +, %, or >) in the number column belong to the same assembly or kit, which is indicated by a note in the “Remarks” column.

Duplicate Item Numbers — Duplicate numbers indicate multiple part numbers, which are in effect for the same general item, such as different size saw blade guards in use or a part that has been updated on newer versions of the same machine.

NOTICE

When ordering a part that has more than one item number listed, check the remarks column for help in determining the proper part to order.

PART NO. Column

Numbers Used — Part numbers can be indicated by a number, a blank entry, or TBD.

TBD (To Be Determined) is generally used to show a part that has not been assigned a formal part number at the time of publication.

A blank entry generally indicates that the item is not sold separately or is not sold by Multiquip. Other entries will be clarified in the “Remarks” Column.

QTY. Column

Numbers Used — Item quantity can be indicated by a number, a blank entry, or A/R.

A/R (As Required) is generally used for hoses or other parts that are sold in bulk and cut to length.

A blank entry generally indicates that the item is not sold separately. Other entries will be clarified in the “Remarks” Column.

REMARKS Column

Some of the most common notes found in the “Remarks” Column are listed below. Other additional notes needed to describe the item can also be shown.

Assembly/Kit — All items on the parts list with the same unique symbol will be included when this item is purchased.

Indicated by:

“INCLUDES ITEMS W/(unique symbol)”

Serial Number Break — Used to list an effective serial number range where a particular part is used.

Indicated by:

“S/N XXXXX AND BELOW”

“S/N XXXX AND ABOVE”

“S/N XXXX TO S/N XXX”

Specific Model Number Use — Indicates that the part is used only with the specific model number or model number variant listed. It can also be used to show a part is NOT used on a specific model or model number variant.

Indicated by:

“XXXXX ONLY”

“NOT USED ON XXXX”

“Make/Obtain Locally” — Indicates that the part can be purchased at any hardware shop or made out of available items. Examples include battery cables, shims, and certain washers and nuts.

“Not Sold Separately” — Indicates that an item cannot be purchased as a separate item and is either part of an assembly/kit that can be purchased, or is not available for sale through Multiquip.

SUGGESTED SPARE PARTS

MVCe82VBW PLATE COMPACTOR WITH HONDA GXE2.0H ELECTRIC MOTOR

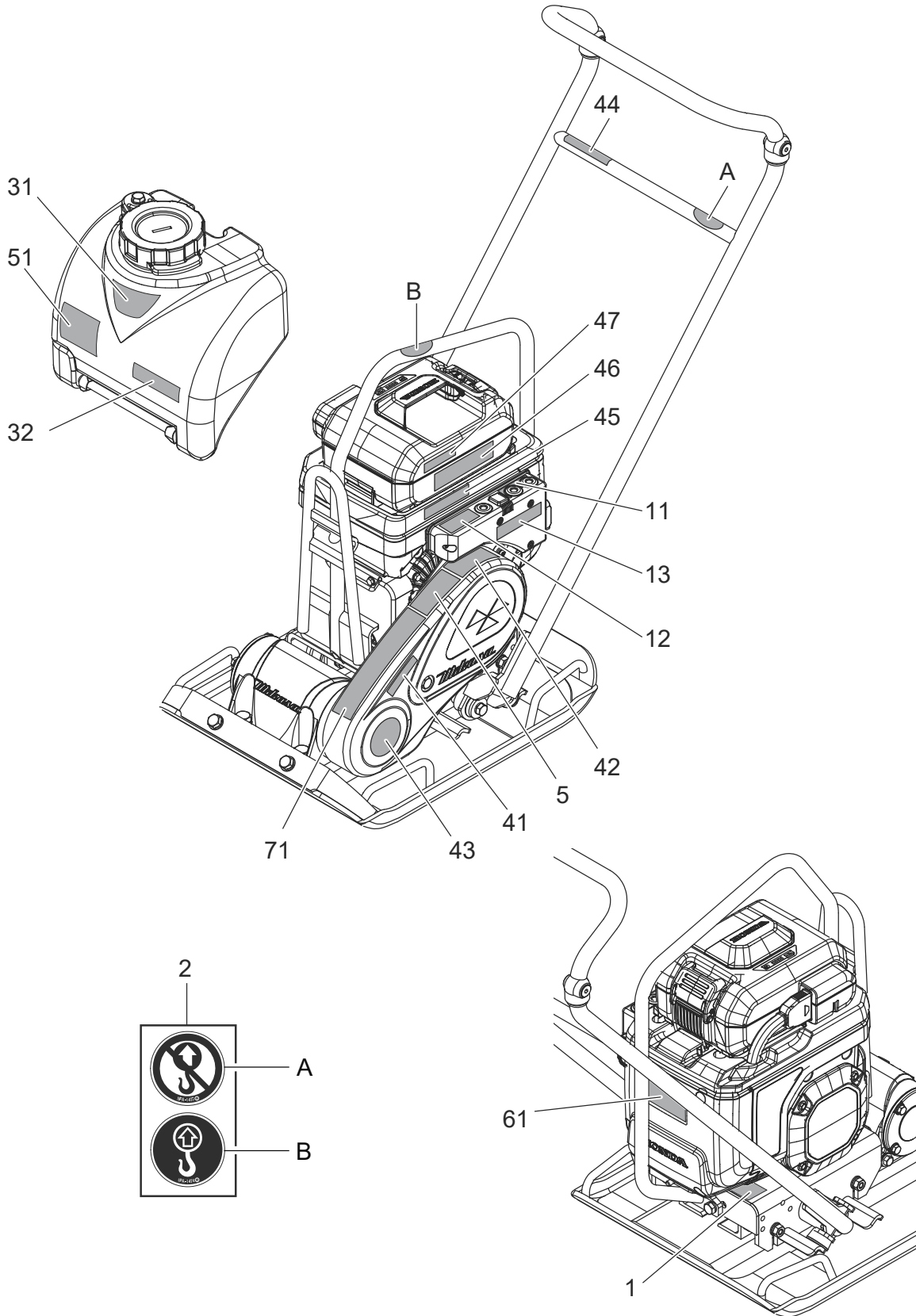
1 to 3 units

Qty.	P/N	Description
1.....	070100312.....	V-BELT
2.....	939010401.....	SHOCK ABSORBER
1.....	421220330.....	SWITCH BOX
2.....	1N4218A0003.....	LAMP ASSEMBLY, IND (ORANGE)
2.....	1N4228A0003.....	LAMP ASSEMBLY, IND (RED)
2.....	1N4238A0003.....	LAMP ASSEMBLY, IND (GREEN)
1.....	DP72104Z	BATTERY, LITHIUM-ION 72V 10AH
1.....	CV7285Z	BATTERY CHARGER
1.....	912721601.....	ELECTRIC MOTOR

NOTICE

Part numbers on this Suggested Spare Parts list may supersede/replace the part numbers shown in the following parts lists.

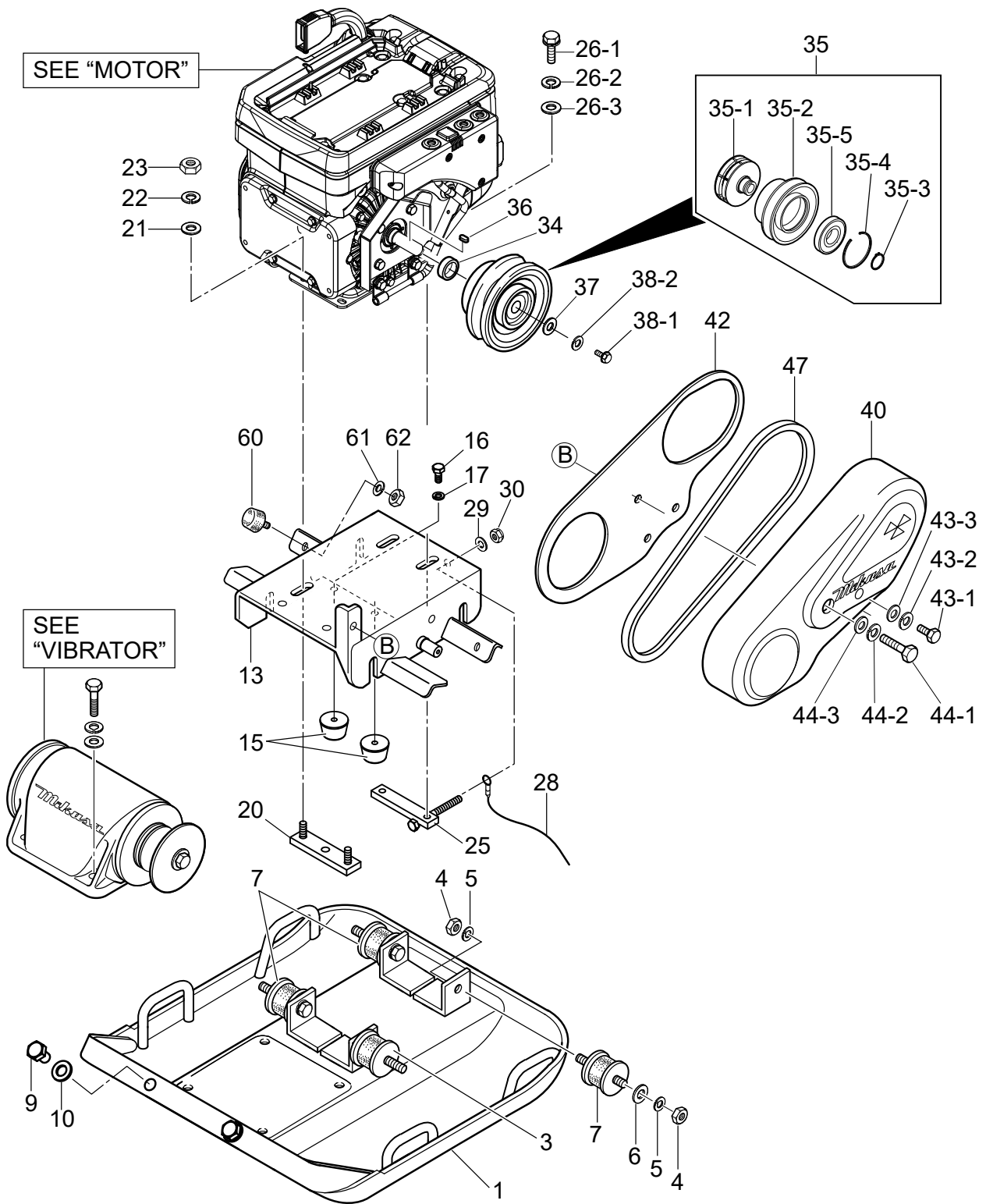
NAMEPLATE AND DECALS ASSY.



NAMEPLATE AND DECALS ASSY.

<u>NO.</u>	<u>PART NO.</u>	<u>PART NAME</u>	<u>QTY.</u>	<u>REMARKS</u>
1	920225820	PLATE, SERIAL NO./ e82VW/MQ	1	
2	920900180	DECAL, SET TWO KINDS	1	
5	920224350	DECAL, CAUTION/COMBI.	1	
11	920224390	DECAL, LED	1	
12	920224360	DECAL, START-STOP	1	
13	920224690	DECAL, EARTH SMART	1	
31	920114000	DECAL, MIKASA (125MM) BLACK	1	
32	920113140	DECAL, MIKASA (BLACK, 40X80)	1	
41	920207590	DECAL, V-BELT (RPF-3310)	1	
42	920222240	DECAL, PROPOSITION 65	1	
43	920224750	DECAL, MQ, 3 YEARS WARRANTY	1	
44	920220740	DECAL, HANDLE ASSY./CAUTION	1	
45	920224760	DECAL, CAUTION RAINY AND WASH	1	
46	920225040	DECAL, LITHIUM-ION	1	
47	920224950	DECAL, MIKASA 60X14	1	
51	920201580	DECAL, MQ MARK 71X55	1	
61	875168A0620	MARK, OPER CAUTION (E)	1	
71	920225810	DECAL, MVC-e82VW/OR	1	

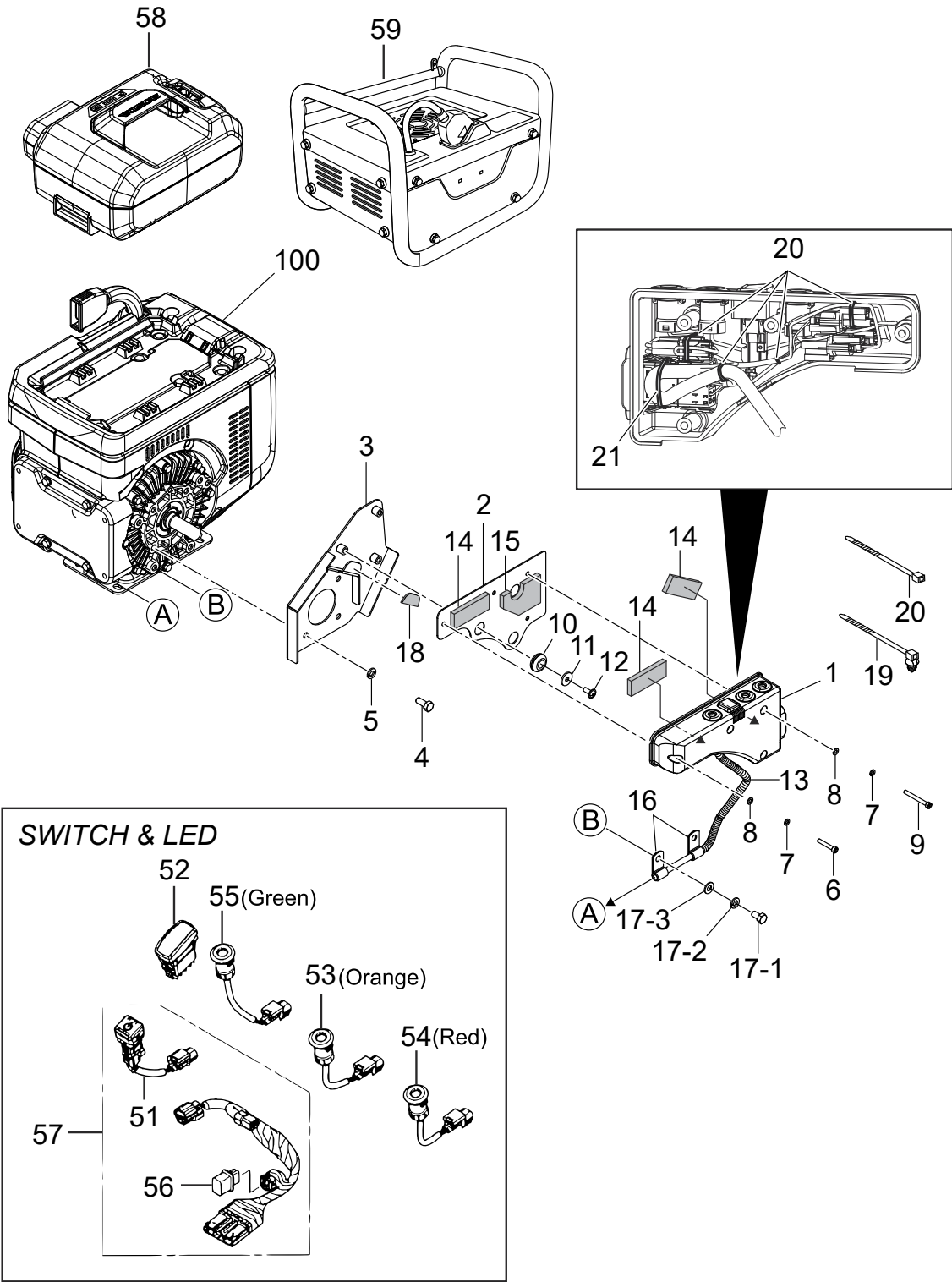
BODY ASSY.



BODY ASSY.

<u>NO.</u>	<u>PART NO.</u>	<u>PART NAME</u>	<u>QTY.</u>	<u>REMARKS</u>
1	419119554	VIBRATORY PLATE, 570X450	1	
3	939010254	SHOCK ABSORBER	4	REPLACES P/N 939010400
4	020310080	NUT M10	8	
5	030210250	WASHER, LOCK M10	8	
6	031110160	WASHER, FLAT M10	4	
7	939010401	SHOCK ABSORBER, D45X41H/L81	3	
9	001221220	BOLT 12X20	2	
10	031112230	WASHER, FLAT M12	2	
13	425220880	BASE	1	
15	939011180	STOPPER, RUBBER	2	
16	012210015	BOLT 10X15	2	REPLACES P/N 001221015
17	030210250	WASHER, LOCK M10	2	
20	425476220	MOUNTING BOLT	1	
21	0401450080	WASHER, FLAT M8	2	REPLACES P/N 031108160
22	030208200	WASHER, LOCK M8	2	
23	020108060	NUT, HEX M8.....	2	REPLACES P/N 020308060
25	413436870	NUT, REAR ENGINE	1	
26-1	011208025	BOLT, 8X25.....	2	REPLACES P/N 001220825
26-2	030208200	WASHER, LOCK M8	2	
26-3	0401450080	WASHER, FLAT M8	2	REPLACES P/N 031108160
28	959404350	EARTH WIRE	1	
29	0401450080	WASHER, FLAT M8	1	REPLACES P/N 031108160
30	022710809	NUT, NYLON M8	1	
34	404418150	SPACER, CLUTCH 18X25X8	1	
35	460446780	CLUTCH ASSEMBLY.....	1	INCLUDES ITEMS W/\$
35-1\$	943920080	CLUTCH, SHAFT	1	
35-2\$	941010400	CLUTCH PULLEY	1	
35-3\$	080200300	SNAP RING	1	
35-4\$	080600550	CLIP	1	
35-5\$	042006006	BEARING.....	1	REPLACES P/N 046006006
36	0320050150	KEY, 5X5X35	1	REPLACES P/N 951400100
37	952400130	SPACER	1	
38-1	011208025	BOLT, 8X25.....	1	REPLACES P/N 001220825
38-2	030208200	WASHER, LOCK M8	1	
40	418216470	BELT COVER	1	
42	425220870	BELT COVER (IN)	1	
43-1	012210040	BOLT, 10X40.....	1	REPLACES P/N 001221040
43-2	030210250	WASHER, LOCK M10	1	
43-3	031110160	WASHER, FLAT M10	1	
44-1	001221054	BOLT, 10X70	1	
44-2	030210250	WASHER, LOCK M10	1	
44-3	031110160	WASHER, FLAT M10	1	
47	070100312	V-BELT RPF-3310	1	
60	939010290	HANDLE, RUBBER	2	
61	030208200	WASHER, LOCK M8	2	
62	020108060	NUT, HEX M8.....	2	REPLACES P/N 020308060

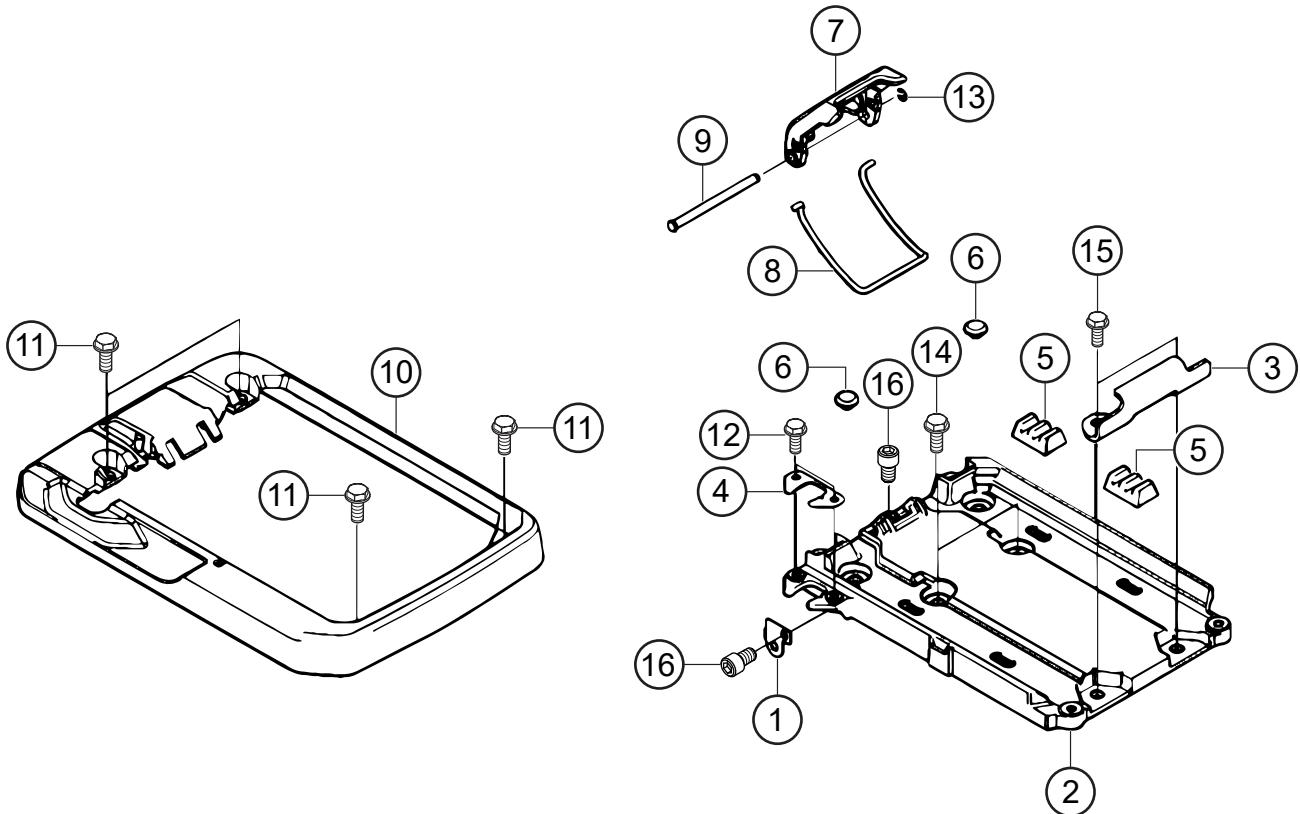
ELECTRIC MOTOR ASSY.



ELECTRIC MOTOR ASSY.

<u>NO.</u>	<u>PART NO.</u>	<u>PART NAME</u>	<u>QTY.</u>	<u>REMARKS</u>
1	421220330	SWITCH BOX	1	
2	421357130	SWITCH BOX PANEL	1	
3	421357140	SWITCH BOX HOLDER	1	
4	001220820	HEX HEAD BOLT, 8X20	4	
5	030208200	WASHER, LOCK M8	4	
6	001520530	SOCKET HEAD BOLT, 5X30	1	
7	030205130	WASHER, LOCK M5	4	
8	58151	WASHER, FLAT M5.....	4	REPLACES P/N 031105080
9	001520545	SOCKET HEAD BOLT, 5X45	3	
10	421473460	GROMMET	3	
11	952410670	WASHER, 6.5X20X2.3	3	
12	009110117	SOCKET HEAD SCREW, 6X15	3	
13	959029802	CORRUGATE TUBE, 10MM-250L	1	
14	421473430	CUSHION, 30X80	3	
15	421473440	CUSHION, 55X85	1	
16	959408920	CLIP 8 (M8)	2	
17-1	011008015	BOLT, 8X15.....	2	REPLACES P/N 001220815
17-2	030208200	WASHER, LOCK M8	2	
17-3	0401450080	WASHER, FLAT M8.....	2	REPLACES P/N 031108160
18	421473450	CUSHION (WASHER, LOCK-BOX HOLDER)	1	
19	91541S0A003	CLIP BAND HARNESS	1	
20	454010020	CLAMP, TC-100	8	
21	507010110A	CLAMP, TC-200.....	1	REPLACES P/N 507010110
51\$	1N3118A0003	SWITCH ASSEMBLY, POWER	1	
52	1N3308A0003	SWITCH ASSEMBLY, START	1	
53	1N4218A0003	LAMP ASSEMBLY, IND (ORANGE)	1	
54	1N4228A0003	LAMP ASSEMBLY, IND (RED)	1	
55	1N4238A0003	LAMP ASSEMBLY, IND (GREEN)	1	
56\$	32107ZVL003	TERMINATOR ASSEMBLY	1	
57	321358A0PA0	CORD, PC F.....	1	INCLUDES ITEMS W/\$
58	DP72104Z	BATTERY, LITHIUM-ION 72V 10AH	1	
59	CV7285Z	BATTERY CHARGER	1	
100	912721601	HONDA GXE2.0H ELEC. MOTOR (INTEGR.)	1	

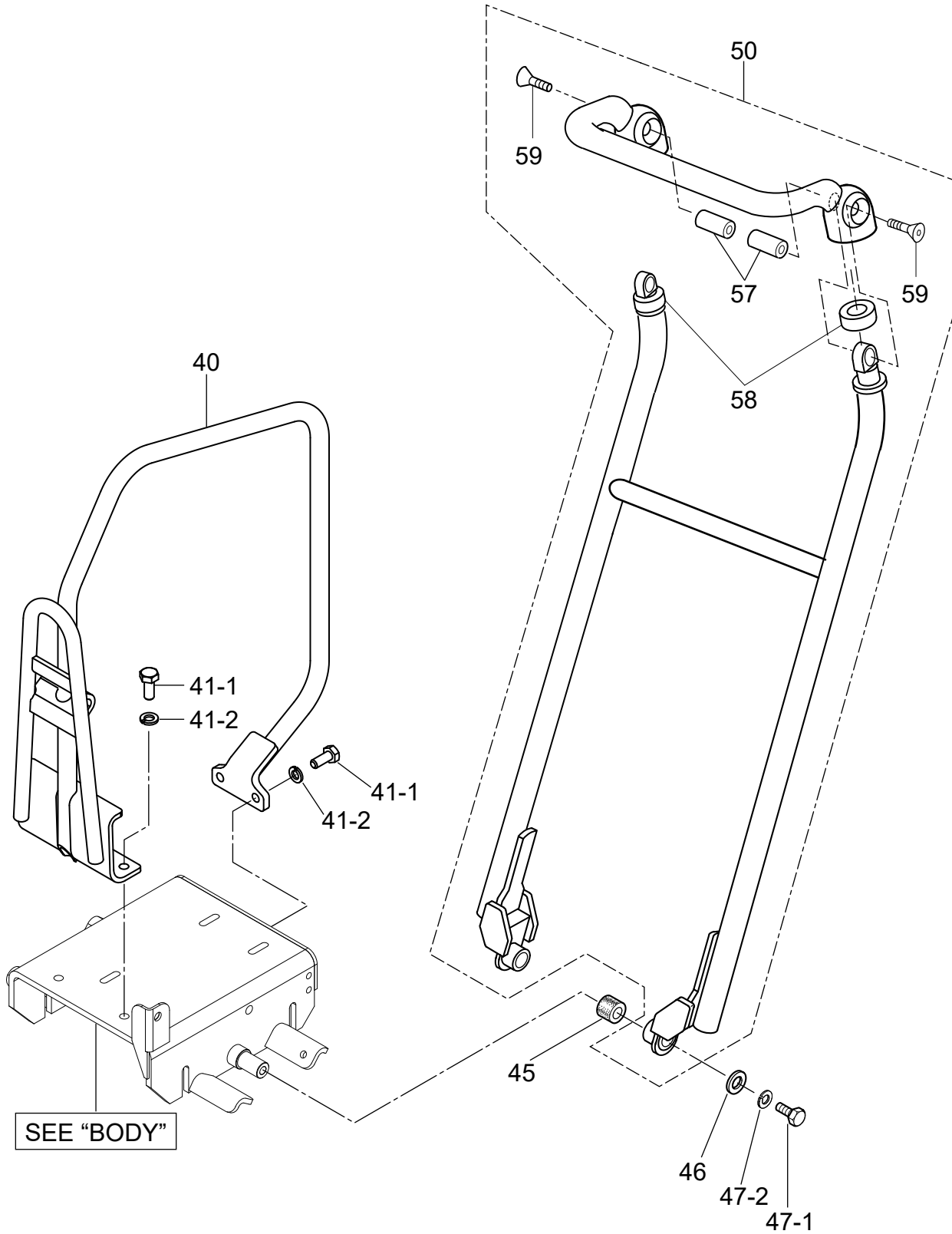
BATTERY TRAY ASSY.



BATTERY TRAY ASSY.

<u>NO.</u>	<u>PART NO.</u>	<u>PART NAME</u>	<u>QTY.</u>	<u>REMARKS</u>
1	1F2228A0600	BRACKET, HARN CLIP A	1	
2	601058A0000	TRAY, BATTERY	1	
3	601078A0000	HOOK, BATTERY	1	
4	601238A0600	STAY, CONNECTOR	1	
5	608018A0000	RUBBER, BATTERY MOUNT	4	
6	608068A0600	CAP, HOLE 8MM	2	
7	609028A0000ZA	LAVER, FASTENER	1	
8	609038A0000	WIRE, FASTENER	1	
9	609048A0000	PIN, LOCK LEVER	1	
10	611058A0600ZB	COVER, BATTERY TRAY NH1 (BLACK)	1	
11	900028A0000	BOLT, SPECIAL 6X16	4	
12	90007892000	BOLT, FLANGE 5X12	2	
13	9454004018	E RING, 4	1	
14	957010801608	BOLT, FLANGE 8X16	2	
15	957010802008	BOLT, FLANGE 8X20	2	
16	966000601208	BOLT, SOCKET 6X12	2	

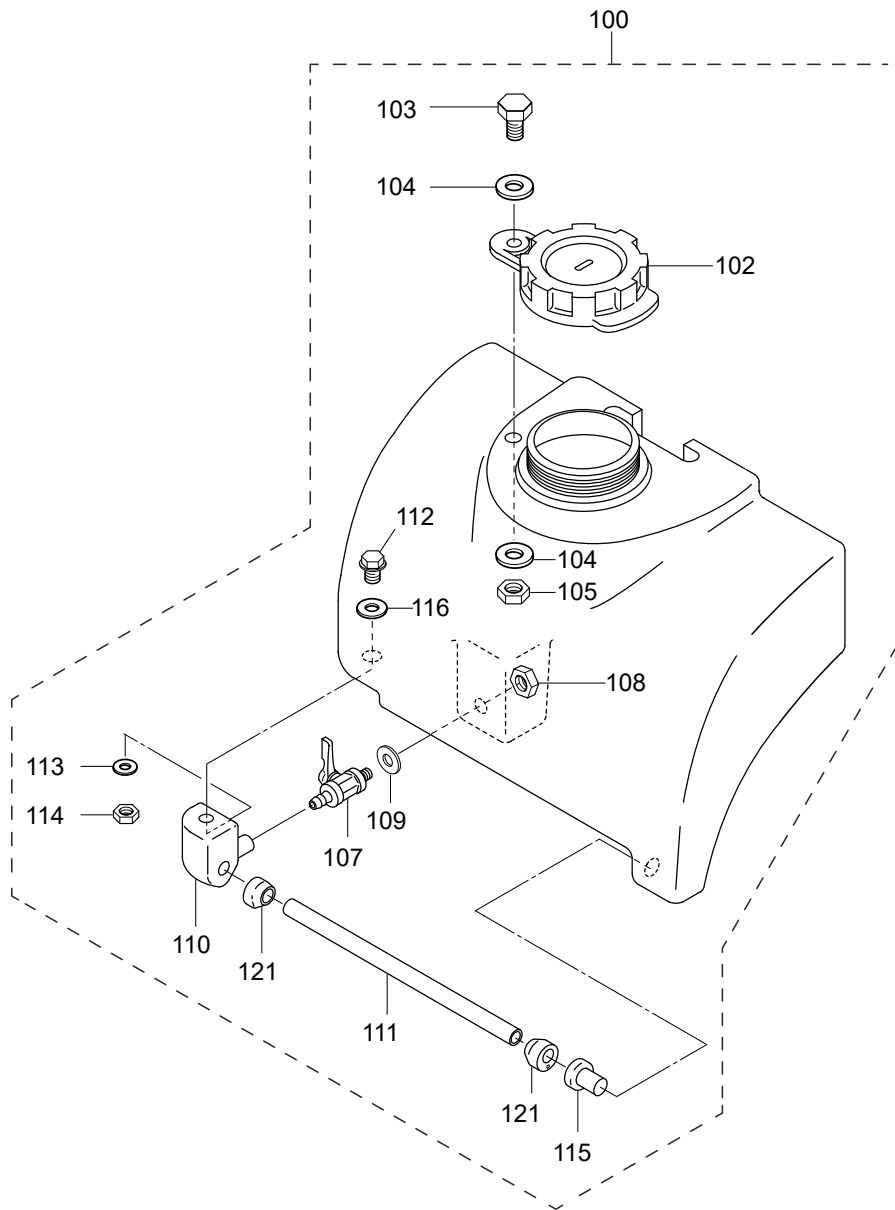
HOOK AND HANDLE ASSY.



HOOK AND HANDLE ASSY.

<u>NO.</u>	<u>PART NO.</u>	<u>PART NAME</u>	<u>QTY.</u>	<u>REMARKS</u>
40	421122890	GUARD HOOK	1	
41-1	0105091025	BOLT 10X25	4	REPLACES P/N 001221025
41-2	030210250	WASHER, LOCK M10	4	
45	404433430	RUBBER 20X32X28.5	2	
46	952403450	WASHER 11X35X4.5	2	
47-1	012210020	BOLT 10X20	2	REPLACES P/N 001221020
47-2	030210250	WASHER, LOCK M10	2	
50	419910010	VAS HANDLE ASSY.....	1	INCLUDES ITEMS W/# REPLACES P/N 419910011
57#	416459320	THREADED HANDLE NUT, VAS HANDLE	2	
58#	416459341	RUBBER, VAS HANDLE	2	
59#	009120407	BOLT, SUNK HEAD 10X20	2	

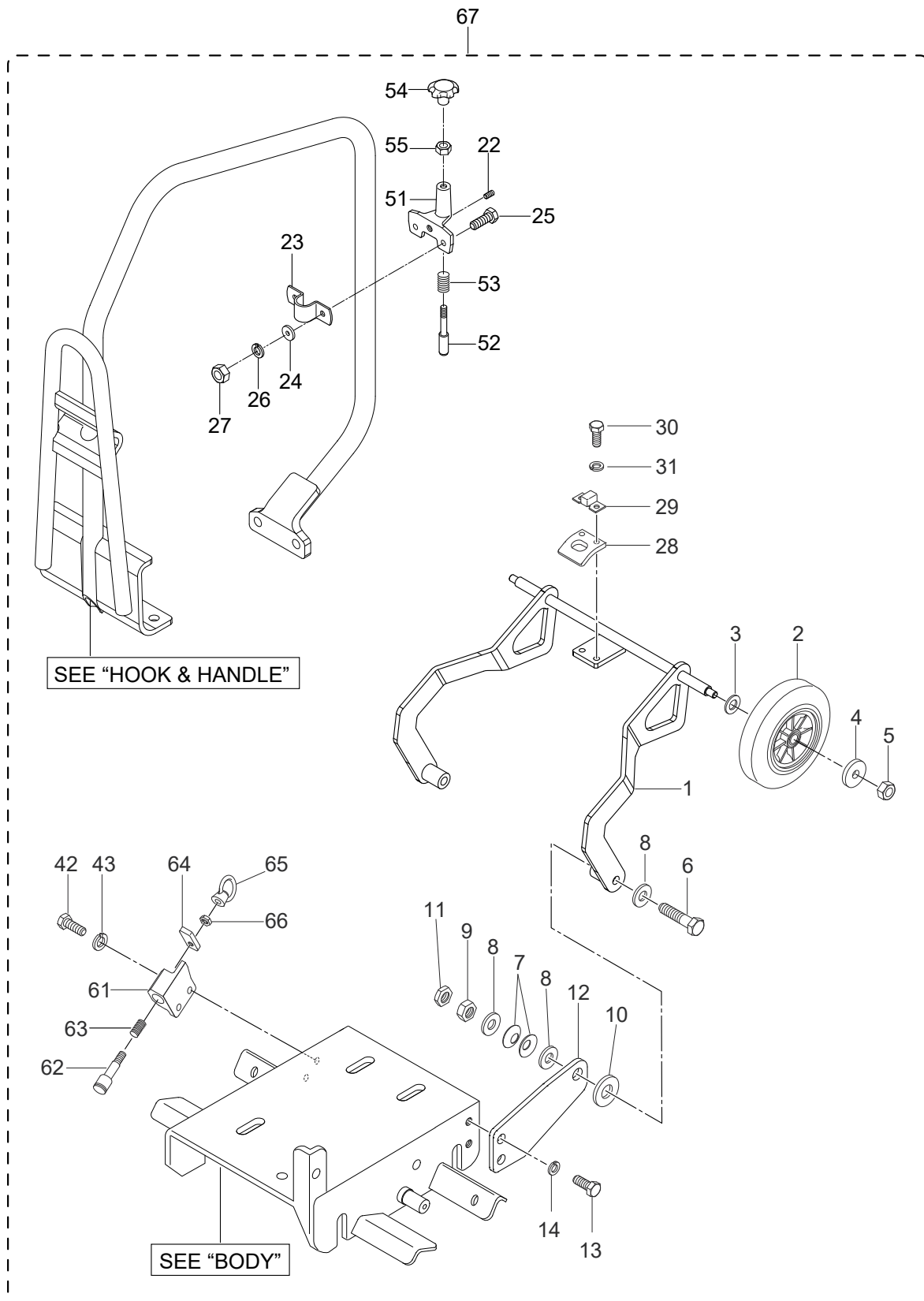
WATER TANK ASSY. (OPTION)



WATER TANK ASSY. (OPTION)

<u>NO.</u>	<u>PART NO.</u>	<u>PART NAME</u>	<u>QTY.</u>	<u>REMARKS</u>
100	352678	WATER TANK ASSY.....	1.....	INCLUDES ITEMS W/#
102#	954300343	CAP, WATER TANK	1	
103#	001241030	BOLT, 10X30	1	
104#	033910160	WASHER, FLAT M10	2	
105#	022910270	NUT, M10	1	
107#	954403241	WATER VALVE ASSY. 1/4, BH-1211AL/R	1	
108#	959403790	LOCKNUT, PS-1/4	1	
109#	953408270	PACKING, 11.5X19.5X1	1	
110#	416338940	HOLDER, PIPE (L)	1	
111#	418344110	PIPE, SPRINKLING	1	
112#	001740825	FLANGE BOLT, 8X25 SS	1	
113#	030208200	WASHER, FLAT M8.....	1.....	REPLACES P/N 033910110
114#	020108060	NUT, M8.....	1.....	REPLACES P/N 020308064
115#	418457010	CAP, RUBBER	1	
116#	953407410	PACKING, 8X15X2	1	
121#	418457890	RUBBER (SPRINKLINK)	2	

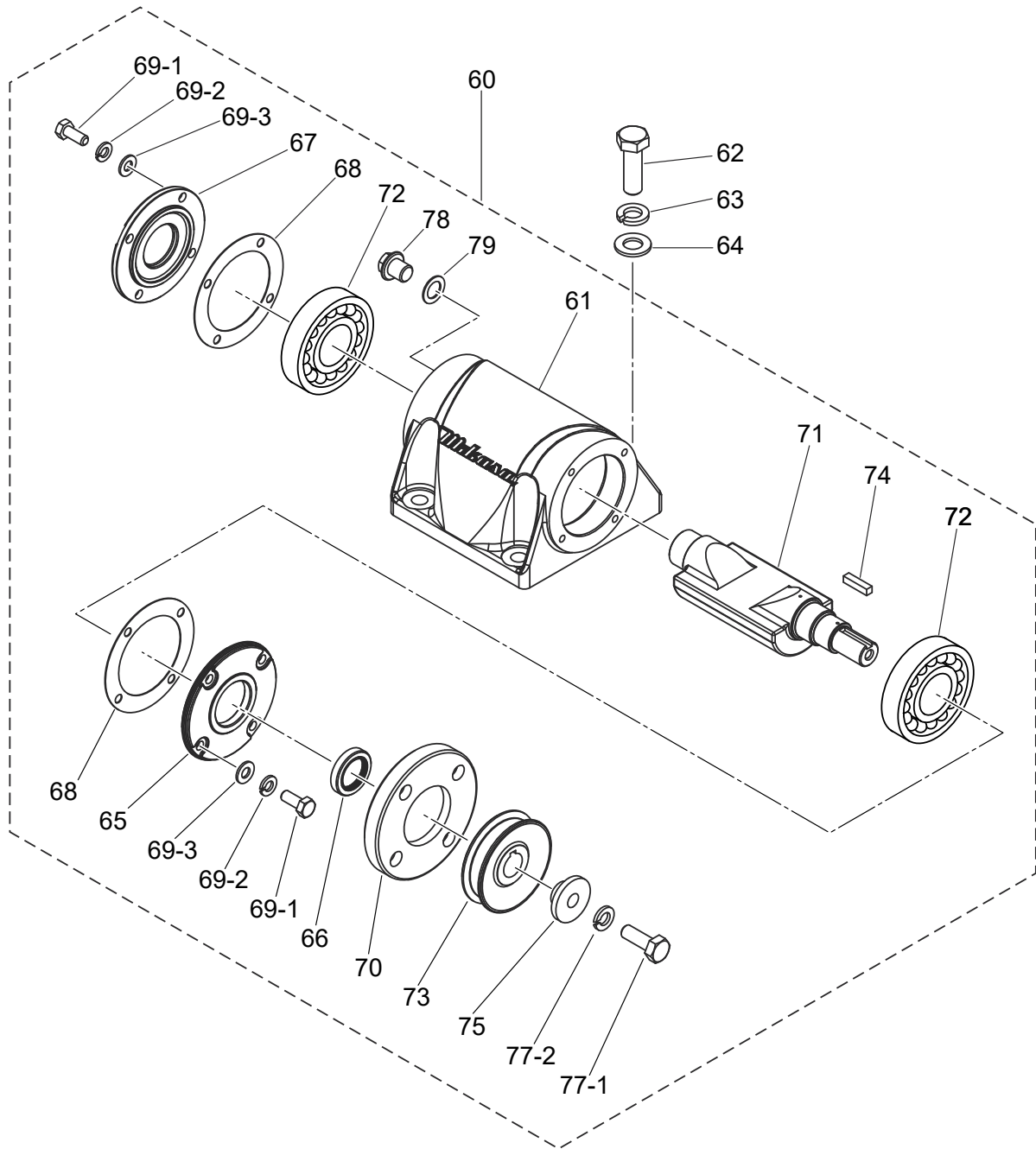
TRANSPORT WHEEL ASSY. (OPTION)



TRANSPORT WHEEL ASSY. (OPTION)

<u>NO.</u>	<u>PART NO.</u>	<u>PART NAME</u>	<u>QTY.</u>	<u>REMARKS</u>
1#	425359440	FRAME AXLE, CART	1	
2#	959411020	WHEEL, 12DX125X42B/T90	2	
3#	031112230	WASHER, FLAT M12	2	
4#	952402610	WASHER, 8.5X25X3	2	
5#	020108060	NUT, M8	2	REPLACES P/N 020308060
6#	012210053	BOLT, 10X65	2	
7#	032110180	CONICAL LOCK WASHER, M10	4	
8#	031110160	WASHER, FLAT M10	6	
9#	020310080	NUT, M10	2	
10#	031110160	WASHER, 11X25X3.2	2	REPLACES P/N 952401440
11#	020310080	NUT, M10	2	REPLACES P/N 020410060
12#	419463780	STAY AXLE, CART	2	
13#	011008015	BOLT 8X15	4	REPLACES P/N 001220815
14#	030208200	WASHER, LOCK M8	4	
22#	098208008	SOCKET HEAD BOLT, 8X8	1	
23#	418467140	SUPPORT FITTING, PIPE	1	
24#	952401690	WASHER, 6.5X17X3	2	
25#	011206020	BOLT, 6X20	2	REPLACES P/N 001220620
26#	030206150	WASHER, LOCK M6	2	
27#	020106050	NUT, M6	2	REPLACES P/N 020306050
28#	418467270	LOCK PLATE, V-AXLE	1	
29#	418467150	STOPPER RUBBER	1	
30#	001220616	BOLT, 6X16	2	
31#	030206150	WASHER, LOCK M6	2	
42#	011008015	BOLT, 8X15	2	REPLACES P/N 001220815
43#	030208200	WASHER, LOCK M8	2	
51#	418352500	LOCK BRACKET	1	
52#	418467260	STOPPER, PIN L-BRACKET	1	
53#	458450880	SPRING	1	
54#	959408900	KNOB, M8	1	
55#	020408050	NUT, SPECIAL M8	1	
61#	418352520	BRACKET, STOPPER	1	
62#	418467290	STOPPER PIN, HANDLE	1	
63#	418467160	SPRING, STOPPER	1	
64#	418467280	STOPPER, S-BRACKET	1	
65#	959010412	EYE NUT, M8	1	
66#	020408050	NUT, SPECIAL M8	1	
67	WHLE82	WHEEL KIT	1	INCLUDES ITEMS W/# CONTACT SALES DEPT.

VIBRATOR ASSY.



VIBRATOR ASSY.

<u>NO.</u>	<u>PART NO.</u>	<u>PART NAME</u>	<u>QTY.</u>	<u>REMARKS</u>
60	425910010OR	VIBRATING CASE ASSEMBLY	1.....	INCLUDES ITEMS W/\$
61\$	418117739OR	VIBRATING CASE	1	
62\$	001221445	BOLT, 14X45	4	
63\$	030214350	WASHER, LOCK M14	4	
64\$	031114260	WASHER, FLAT M14	4	
65\$	418464310	CASE COVER, PULLEY	1	
66\$	060403020	SEAL, OIL TC-30458	1	
67\$	418456960	CASE COVER, SHUT OFF	1	
68\$	418456971	PACKING	2	
69-1\$	001220820	BOLT, 8X20	8	
69-2\$	030208200	WASHER, LOCK M8	8	
69-3\$	0401450080	WASHER, FLAT M8.....	8.....	REPLACES P/N 031108160
70\$	418464511	COVER SEAL, VIB.	1	
71\$	418343400	ECC. ROTOR SHAFT	1	
72\$	040306307	BEARING.....	2.....	REPLACES P/N 040406307
73\$	425476230	PULLEY, VIB.	1	
74\$	951401920	KEY, 7X7X30	1	
75\$	425476240	STEPPED WASHER	1	
77-1\$	012010030	BOLT, 10X30.....	1.....	REPLACES P/N 001221030
77-2\$	030210250	WASHER, LOCK M10	1	
78\$	953405270	PLUG, 1/4X14 13L	1	
79\$	953405260	PACKING, 1/4 (CU)	1	

PARTS MANUAL

HERE'S HOW TO GET HELP

PLEASE HAVE THE MODEL AND SERIAL
NUMBER ON-HAND WHEN CALLING

UNITED STATES

Multiquip Inc.

(310) 537- 3700
6141 Katella Avenue Suite 200
Cypress, CA 90630
E-MAIL: mq@multiquip.com
WEBSITE: www.multiquip.com

CANADA

Multiquip

(450) 625-2244
4110 Industriel Boul.
Laval, Quebec, Canada H7L 6V3
E-MAIL: infocanada@multiquip.com

UNITED KINGDOM

Multiquip (UK) Limited Head Office

0161 339 2223
Unit 2, Northpoint Industrial Estate,
Globe Lane,
Dukinfield, Cheshire SK16 4UJ
E-MAIL: sales@multiquip.co.uk

© COPYRIGHT 2026, MULTIQUIP INC.

Multiquip Inc. and the MQ logo are registered trademarks of Multiquip Inc. and may not be used, reproduced, or altered without written permission. All other trademarks are the property of their respective owners and used with permission.

This manual MUST accompany the equipment at all times. This manual is considered a permanent part of the equipment and should remain with the unit if resold.

DISCLAIMER: Product features, descriptions, and specifications are based on published information at the time of publication and are subject to change at any time without notice. Multiquip Inc. and its affiliates reserve the right to change specifications, features, design, and descriptions of products at any time without notice.

