

# PARTS MANUAL



*Mikasa* SERIES  
**MODEL MVH408DE**  
**REVERSIBLE PLATE COMPACTOR**  
**(HATZ 1B50E DIESEL ENGINE)**

Revision #1 (02/13/23)

To find the latest revision of this publication or associated operation manual, visit our website at: [www.multiquip.com](http://www.multiquip.com)



**THIS MANUAL MUST ACCOMPANY THE EQUIPMENT AT ALL TIMES.**

**MVH408DE Reversible  
Plate Compactor**

Explanation Of Code In Remarks Column..... 4  
Suggested Spare Parts ..... 5

**Component Drawings**

Nameplate And Decals Assembly ..... 6-7  
Vibrating Plate Assembly..... 8-9  
Vibrator Assembly ..... 10-11  
Base And Engine Assembly ..... 12-15  
Electric Device Assembly ..... 16-17  
Battery Assembly..... 18-21  
Control Assembly ..... 22-25  
Hydraulic Hand Pump Assembly ..... 26-27  
Engine Service Parts..... 28-29

**NOTICE**

Specifications and part numbers are subject to change without notice.



# EXPLANATION OF CODE IN REMARKS COLUMN

The following section explains the different symbols and remarks used in the Parts section of this manual. Use the help numbers found on the back page of the manual if there are any questions.

## NOTICE

The contents and part numbers listed in the parts section are subject to change **without notice**. Multiquip does not guarantee the availability of the parts listed.

## SAMPLE PARTS LIST

NO.	PART NO.	PART NAME	QTY.	REMARKS
1	12345	BOLT .....	1	INCLUDES ITEMS W/%
2%		WASHER, 1/4 IN. ....		NOT SOLD SEPARATELY
2%	12347	WASHER, 3/8 IN. ...	1	MQ-45T ONLY
3	12348	HOSE .....	A/R	MAKE LOCALLY
4	12349	BEARING .....	1	S/N 2345B AND ABOVE

## NO. Column

**Unique Symbols** — All items with same unique symbol (@, #, +, %, or >) in the number column belong to the same assembly or kit, which is indicated by a note in the “Remarks” column.

**Duplicate Item Numbers** — Duplicate numbers indicate multiple part numbers, which are in effect for the same general item, such as different size saw blade guards in use or a part that has been updated on newer versions of the same machine.

## NOTICE

When ordering a part that has more than one item number listed, check the remarks column for help in determining the proper part to order.

## PART NO. Column

**Numbers Used** — Part numbers can be indicated by a number, a blank entry, or TBD.

TBD (To Be Determined) is generally used to show a part that has not been assigned a formal part number at the time of publication.

A blank entry generally indicates that the item is not sold separately or is not sold by Multiquip. Other entries will be clarified in the “Remarks” Column.

## QTY. Column

**Numbers Used** — Item quantity can be indicated by a number, a blank entry, or A/R.

A/R (As Required) is generally used for hoses or other parts that are sold in bulk and cut to length.

A blank entry generally indicates that the item is not sold separately. Other entries will be clarified in the “Remarks” Column.

## REMARKS Column

Some of the most common notes found in the “Remarks” Column are listed below. Other additional notes needed to describe the item can also be shown.

**Assembly/Kit** — All items on the parts list with the same unique symbol will be included when this item is purchased.

Indicated by:

“INCLUDES ITEMS W/(unique symbol)”

**Serial Number Break** — Used to list an effective serial number range where a particular part is used.

Indicated by:

“S/N XXXXX AND BELOW”

“S/N XXXX AND ABOVE”

“S/N XXXX TO S/N XXX”

**Specific Model Number Use** — Indicates that the part is used only with the specific model number or model number variant listed. It can also be used to show a part is NOT used on a specific model or model number variant.

Indicated by:

“XXXXX ONLY”

“NOT USED ON XXXX”

**“Make/Obtain Locally”** — Indicates that the part can be purchased at any hardware shop or made out of available items. Examples include battery cables, shims, and certain washers and nuts.

**“Not Sold Separately”** — Indicates that an item cannot be purchased as a separate item and is either part of an assembly/kit that can be purchased, or is not available for sale through Multiquip.

## SUGGESTED SPARE PARTS

### MVH408DE REVERSIBLE PLATE COMPACTOR

1 to 3 units

Qty.	P/N	Description
4.....	939010380.....	SHOCK ABSORBER
4.....	939010010.....	SHOCK ABSORB. STOPPER
2.....	070200463.....	V-BELT HDPF-5460
1.....	50384402.....	IGNITION SWITCH W/ KEYS
3.....	50404900.....	KEY, IGNITION SWITCH

#### NOTICE

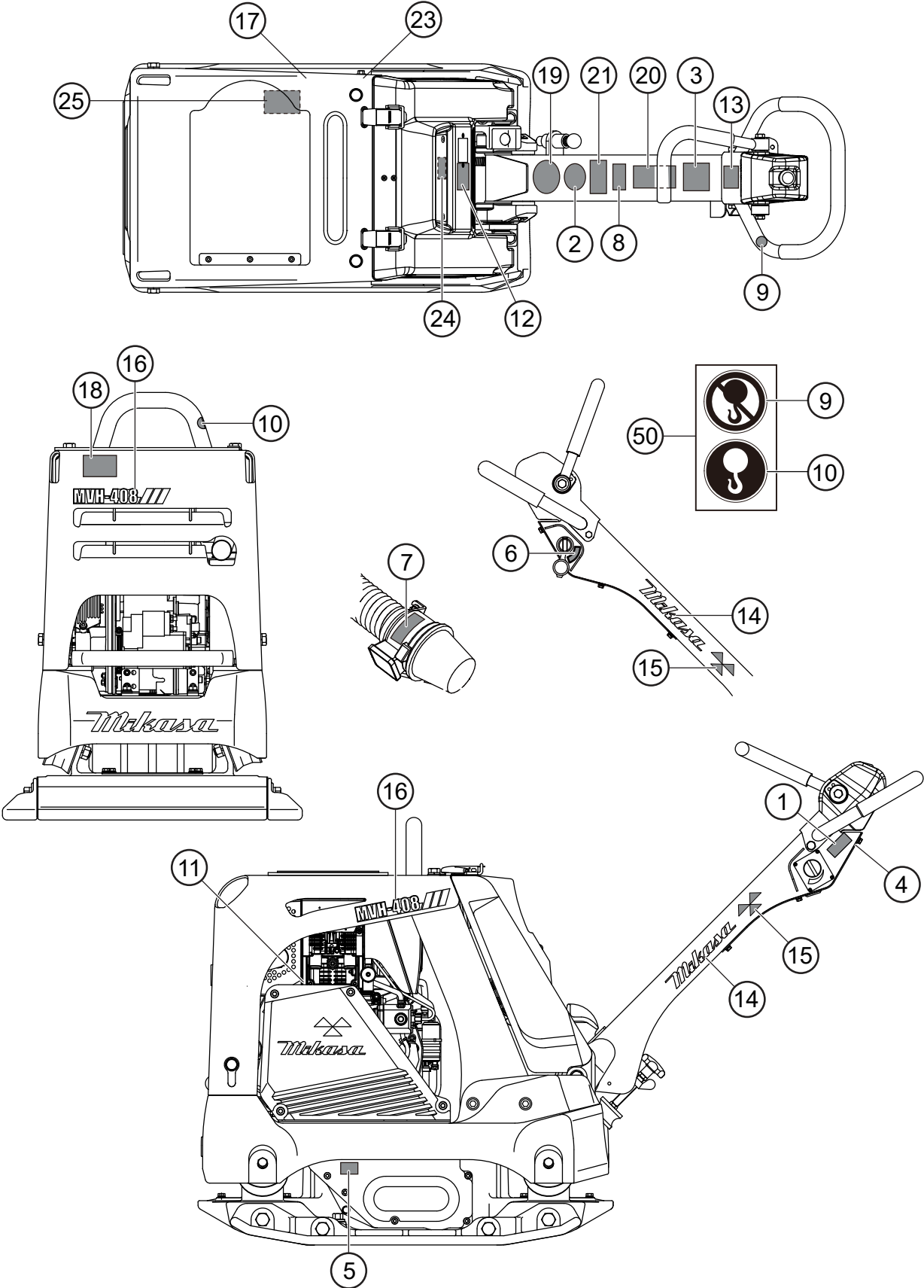
Part numbers on this Suggested Spare Parts list may supersede/replace the part numbers shown in the following parts lists.

### HATZ 1B50E DIESEL ENGINE

1 to 3 units

Qty.	P/N	Description
3.....	01542705.....	FILTER, OIL SUCTION
3.....	50694100.....	FILTER, FUEL
3.....	40089401.....	IN-LINE FUEL FILTER
3.....	50484102.....	ELEMENT, AIR FILTER
1.....	01535302.....	CAP, FUEL TANK
1.....	01497800.....	STARTER KNOB COMP.
1.....	01929000.....	ROPE, RECOIL

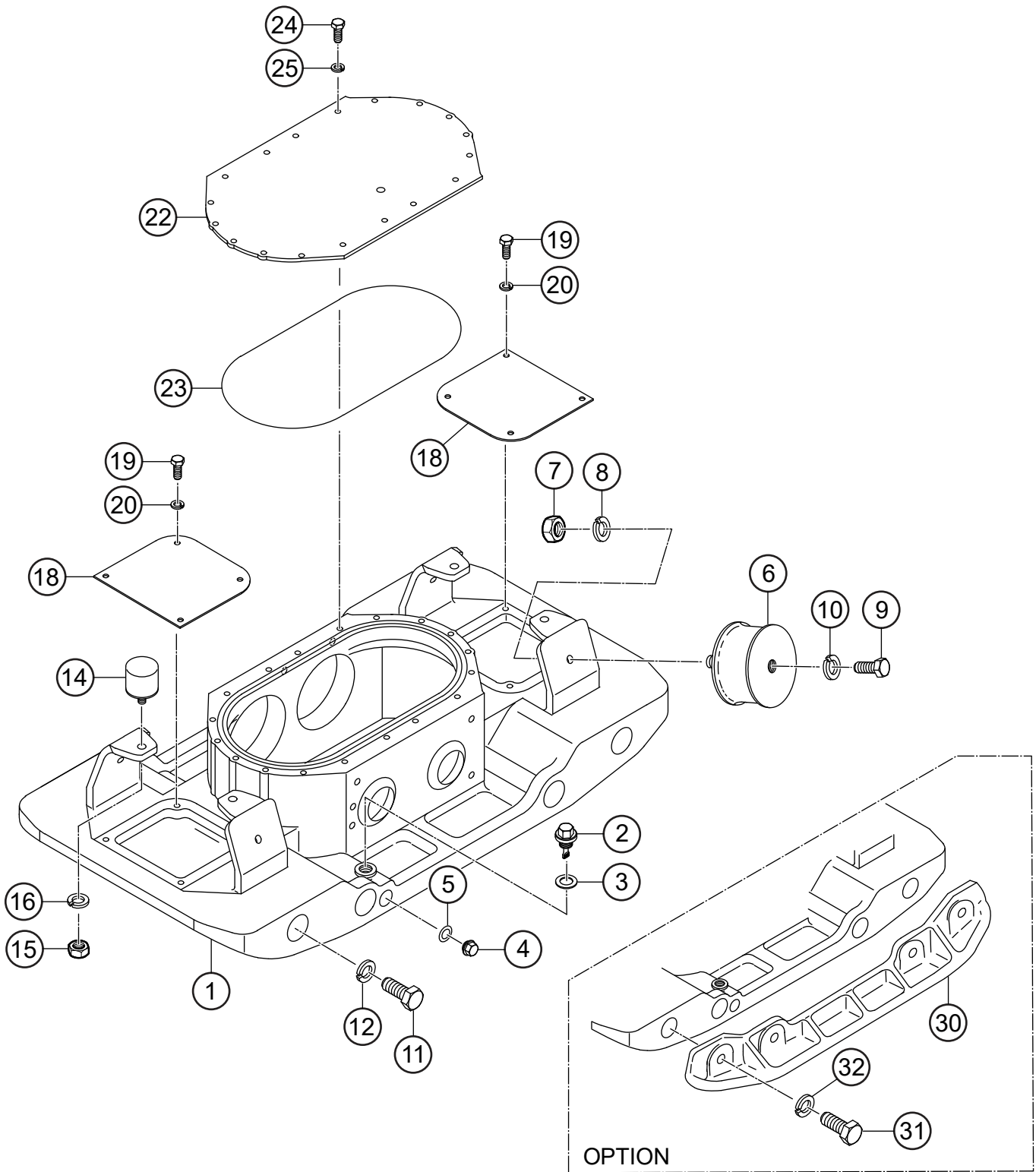
# NAMEPLATE AND DECALS ASSY.



## NAMEPLATE AND DECALS ASSY.

<u>NO.</u>	<u>PART NO.</u>	<u>PART NAME</u>	<u>QTY.</u>	<u>REMARKS</u>
1	920204580	DECAL; FULL THROTTLE	1	
2	920222810	EAR PROTECTION LABEL	1	
3	920211060	DECAL; CAUTION LEVER	1	
4	920211090	DECAL; SHELL TELLUS OIL 32	1	
5	920201950	DECAL; OIL SAE 10W-30	1	
6	920106760	DECAL; STOP-RUN-START	1	
7	920214200	DECAL; CAUTION CYCLONE	1	
8	920214100	DECAL; E/G FIRE WARNING	1	
9#	920900090	DECAL; DO NOT LIFT .....	1	REPLACES P/N 920214730
10#	920900090	DECAL; LIFTING POSITION .....	1	REPLACES P/N 920214740
11	920217690	DECAL; V-BELT HDPF-5460	1	
12	920218150	DECAL; E/G RPM 2400	1	
13	920210100	DECAL; EC NOISE REQ. LWA	1	
14	920217130	DECAL; MIKASA MARK (W) 200L	2	
15	920217110	DECAL; MIKASA MARK 35X70	2	
16	920217770	DECAL; MODEL(R, OR) MVH-408	2	
17	920217780	DECAL; MODEL(L, OR) MVH-408	1	
18	920201580	DECAL; MQ MARK 71X55	1	
19	920224750	DECAL; MQ, 3 YEARS WARRANTY	1	
20	920218390	DECAL; CAUTION	1	
21	920222240	DECAL; PROPOSITION 65	1	
24	920217880	DECAL; MODEL MVH-408	1	
25	920224880	PLATE, SERIAL NO.....	1	CONTACT MQ PARTS DEPT.
50	920900180	DECAL SET, TWO KINDS .....	1	INCLUDES ITEMS W/#

# VIBRATING PLATE ASSY.

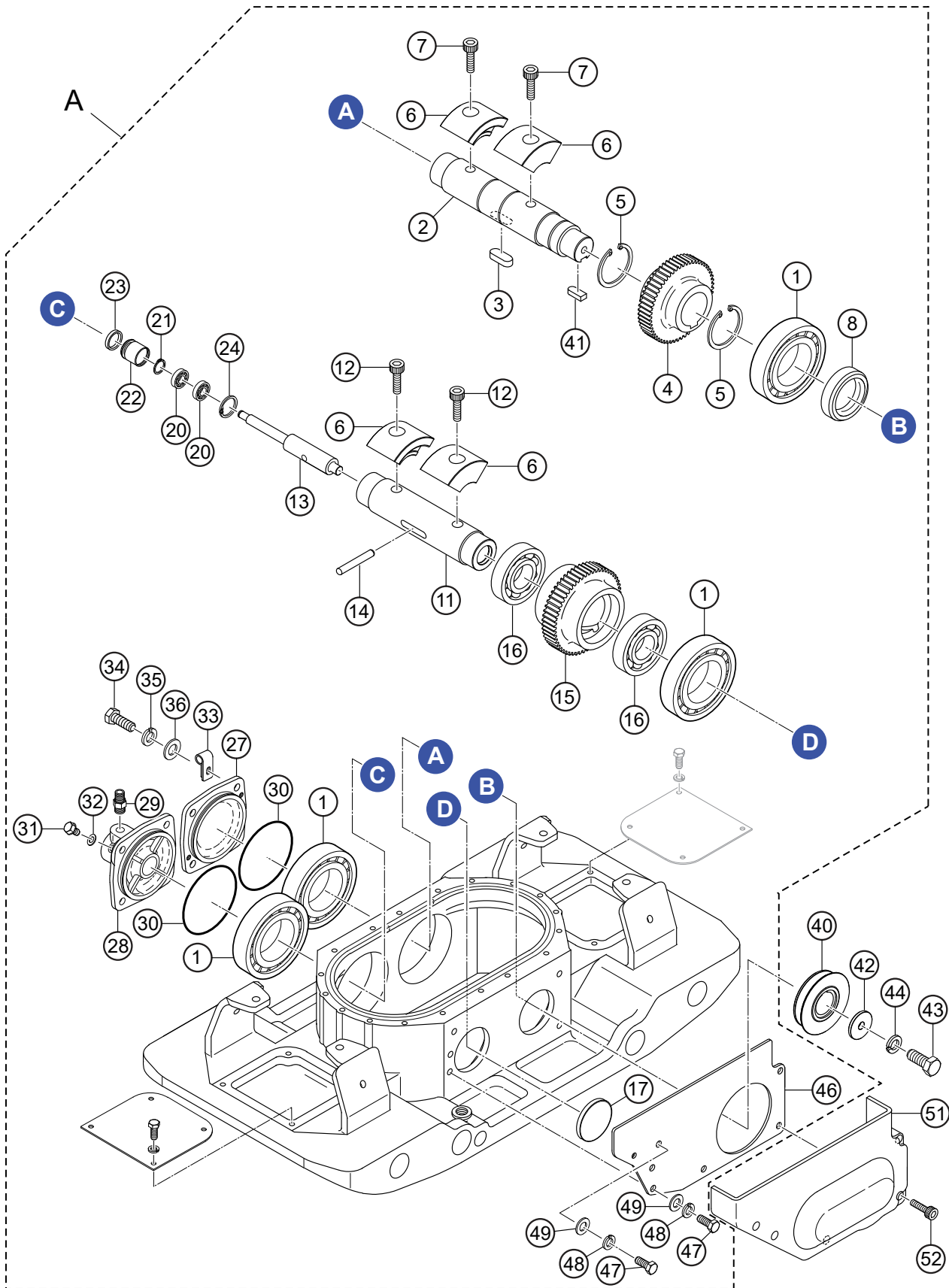




## VIBRATING PLATE ASSY.

<u>NO.</u>	<u>PART NO.</u>	<u>PART NAME</u>	<u>QTY.</u>	<u>REMARKS</u>
1	468121201	VIBRATING PLATE	1	
2	465460670	OIL GAUGE	1	
3	953402930	COPPER PACKING	1	
4	953405270	PLUG	1	
5	953405260	PACKING	1	
6	939010380	SHOCK ABSORBER	4	
7	020316130	NUT	4	
8	030216400	WASHER, LOCK	4	
9	001221635	BOLT	4	
10	030216400	WASHER, LOCK	4	
11	001221830	BOLT	8	
12	58407	WASHER, LOCK.....	8.....	REPLACES P/N 030218460
14	939010010	SHOCK ABSORBER, STOPPER	4	
15	020310080	NUT	4	
16	030210250	WASHER, LOCK	4	
18	468352110	COVER, VIBRATING PLATE	2	
19	014208020	BOLT .....	8.....	REPLACES P/N 001220820
20	030208200	WASHER, LOCK	8	
22	467351790	COVER, VIBRATOR	1	
23	050103250	O-RING	1	
24	014208020	BOLT .....	18.....	REPLACES P/N 001220820
25	030208200	WASHER, LOCK	18	
30	452990	EXTENSION PLATE .....	2.....	REPLACES P/N 467219050 OPTION, 2 PC = 1 SET
31	012218050	BOLT .....	8.....	REPLACES P/N 001221850 OPTION
32	58407	WASHER, LOCK.....	8.....	REPLACES P/N 030218460 OPTION

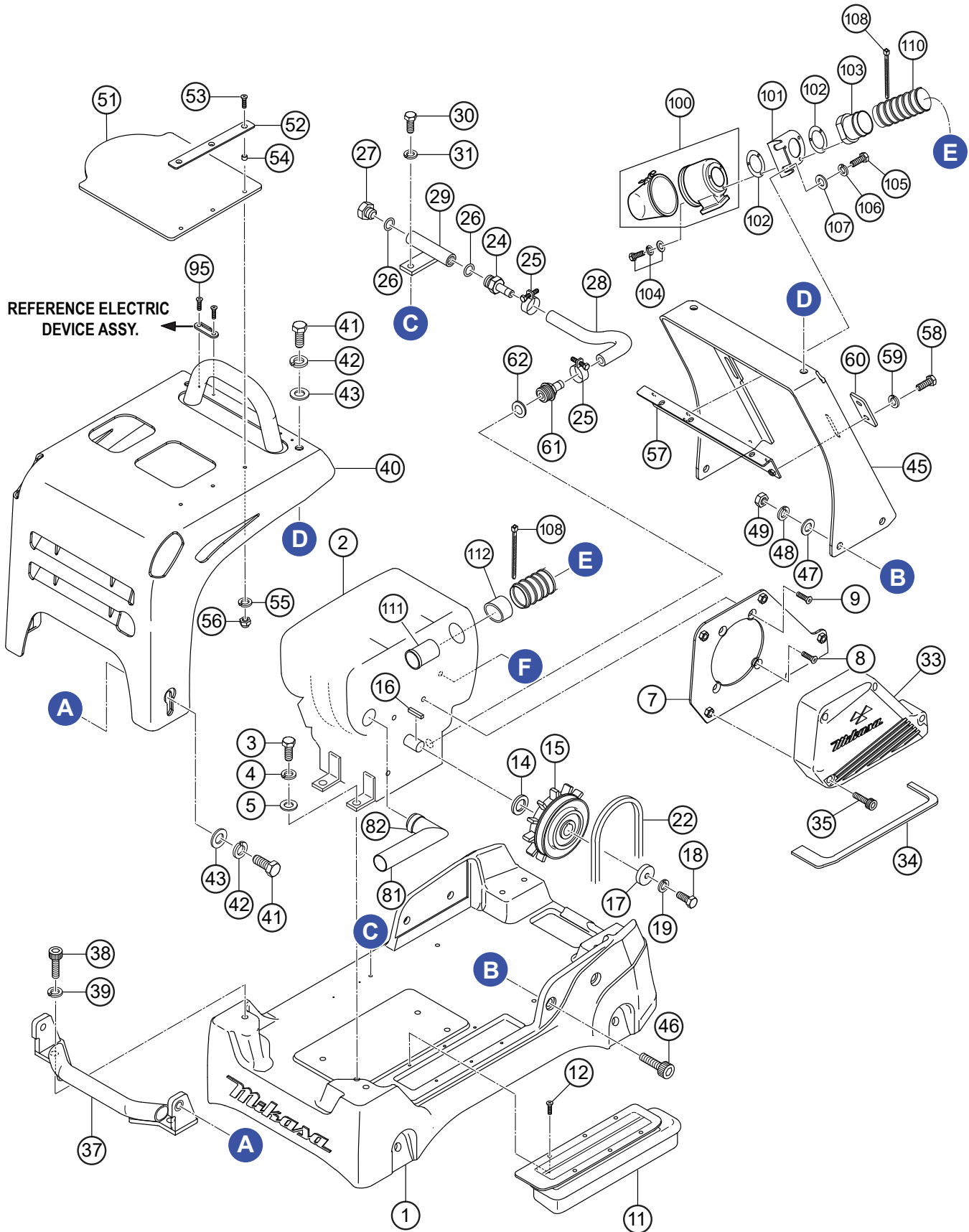
# VIBRATOR ASSY.



## VIBRATOR ASSY.

<u>NO.</u>	<u>PART NO.</u>	<u>PART NAME</u>	<u>QTY.</u>	<u>REMARKS</u>
A	468910042	VIBRATING PLATE ASSEMBLY .....	1.....	INCLUDES ITEMS W/#
1#	047920120	ROLLER BEARING	4	
2#	467910070	ROTARY SHAFT, DRIVE	1	
3#	951405370	KEY	1	
4#	456327150	GEAR, DRIVE	1	
5#	080200550	STOP RING	2	
6#	468352210	ECCENTRIC ROTATOR	4	
7#	009120301	SOCKET HEAD BOLT	2	
8#	060405040	OIL SEAL	1	
11#	456337670	ROTARY SHAFT, DRIVEN	1	
12#	009120302	SOCKET HEAD BOLT	2	
13#	456337380	PISTON ROD	1	
14#	456010010	KNOCK PIN	1	
15#	467351910	GEAR, DRIVEN	1	
16#	040006911	BEARING	2	
17#	953010030	SEAL CAP	1	
20#	042006000	BEARING.....	2.....	REPLACES P/N 042506000
21#	0080000010	STOP RING .....	1.....	REPLACES P/N 080200100
22#	455435051	PISTON	1	
23#	455010070	PACKING	1	
24#	080100260	STOP RING	1	
27#	467352540	BEARING COVER	1	
28#	467219070	CYLINDER (R)	1	
29#	954010020	CONNECTOR PT, PF1/4	1	
30#	050101050	O-RING	2	
31#	001720812	FLANGE BOLT	1	
32#	953404600	COPPER PACKING	1	
33	959408880	CLIP	1	
34#	0105091025	BOLT .....	8.....	REPLACES P/N 001221025
35#	030210250	WASHER, LOCK	8	
36#	031110160	WASHER, FLAT	8	
40	465345090	PULLEY	1	
41#	951404970	KEY	1	
42	468474700	WASHER, PULLEY	1	
43	012212035	BOLT .....	1.....	REPLACES P/N 001221235
44	030212300	WASHER, LOCK	1	
46#	467351920	GUIDE, BELT COVER	1	
47#	014208020	BOLT .....	2.....	REPLACES P/N 001220820
48#	030208200	WASHER, LOCK	2	
49#	0401450080	WASHER, FLAT .....	2.....	REPLACES P/N 401450080
51	468218962	BELT COVER, LOWER	1	
52	001520856	SOCKET HEAD BOLT	5	

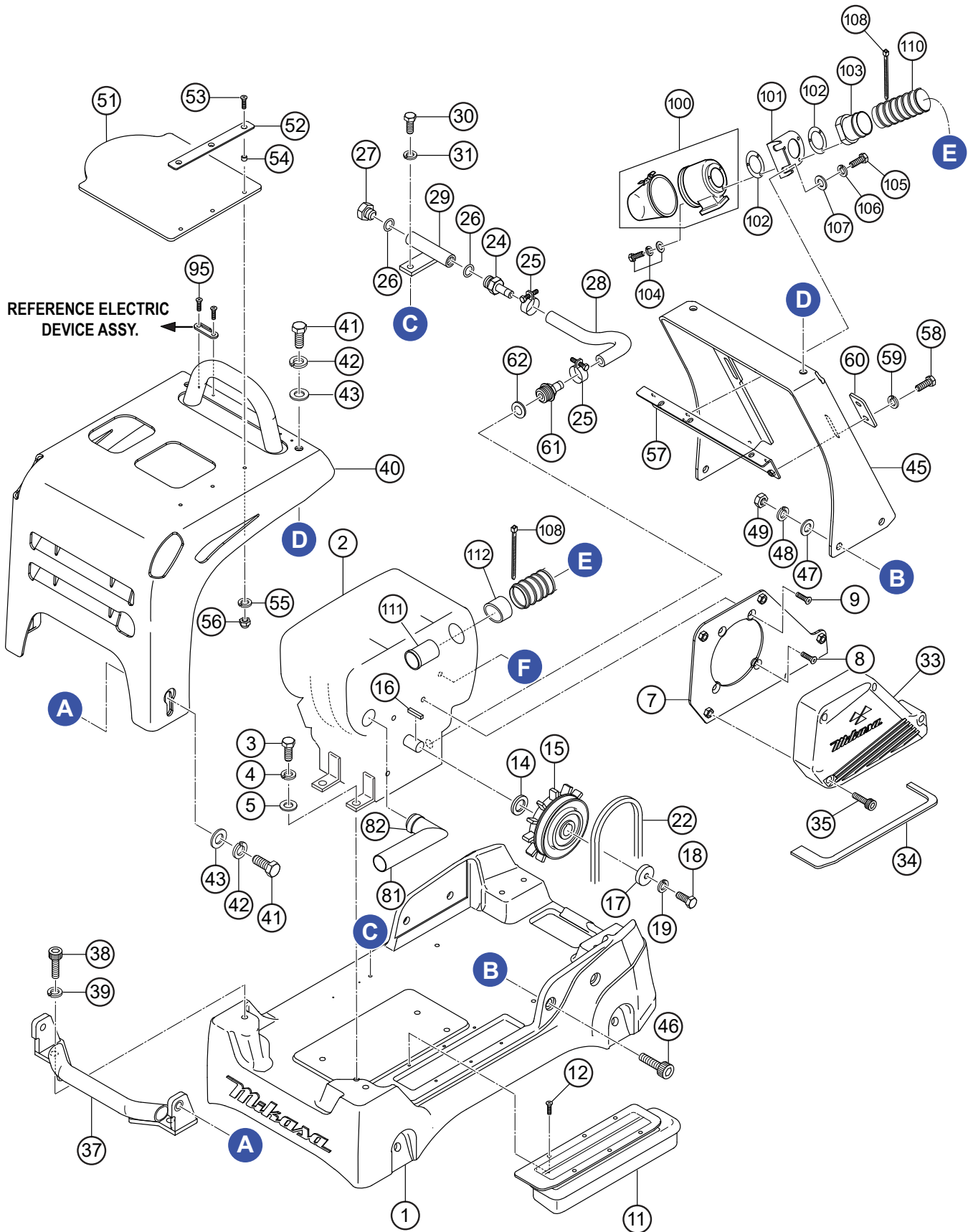
# BASE AND ENGINE ASSY.



## BASE AND ENGINE ASSY.

<u>NO.</u>	<u>PART NO.</u>	<u>PART NAME</u>	<u>QTY.</u>	<u>REMARKS</u>
1	468123220	BASE, 1B50E	1	
2	918401107	ENGINE ASSEMBLY, 1B50 EPA4 F	1	
3	012010030	BOLT .....	4	REPLACES P/N 001221030
4	030210250	WASHER, LOCK	4	
5	031110160	WASHER, FLAT	4	
7	468352230	BELT COVER, INNER	1	
8	009120416	SUNK HEAD BOLT	3	
9	009120407	SUNK HEAD BOLT	1	
11	468352120	DUST COVER	1	
12	092006010	FLAT HEAD SCREW	6	
14	952408830	SPACER	1	
15	468352380	CLUTCH ASSEMBLY	1	
16	05306100	KEY	1	
17	952408840	SPECIAL WASHER	1	
18	012010030	BOLT .....	1	REPLACES P/N 001221030
19	030210250	WASHER, LOCK M10	1	
22	070200463	V-BELT HDPF-5460	1	
24	2556390111	UNION, DRAIN .....	1	REPLACES P/N 954407310
25	954010300	HOSE BAND	2	
26	0211140020	GASKET	2	
27	953410280	PLUG	1	
28	465459390	DRAIN HOSE	1	
29	464457380	DRAIN JOINT	1	
30	014208020	BOLT .....	1	REPLACES P/N 001220820
31	030208200	WASHER, LOCK	1	
33	468218930	BELT COVER, OUTER	1	
34	468352130	DUST SPONGE, OUTER	1	
35	001521056	SOCKET HEAD BOLT	4	
37	468352140	FRONT BUMPER	1	
38	001521435	SOCKET HEAD BOLT	2	
39	030214350	WASHER, LOCK	2	
40	468121210	FRONT COVER	1	
41	001221435	BOLT	4	
42	030214350	WASHER, LOCK	4	
43	031114260	WASHER, FLAT	4	
45	468219320	CENTER COVER	1	
46	001521435	SOCKET HEAD BOLT	4	
47	031114260	WASHER, FLAT	4	
48	030214350	WASHER, LOCK	4	
49	020314110	NUT	4	
51	468466890	RUBBER COVER, UPPER	1	
52	467466760	STOPPER, COVER	1	
53	009120424	SOCKET HEAD BOLT	3	
54	617465130	COLLAR	3	
55	030206150	WASHER, LOCK	3	

# BASE AND ENGINE ASSY. (CONT'D.)



## BASE AND ENGINE ASSY. (CONT'D.)

<u>NO.</u>	<u>PART NO.</u>	<u>PART NAME</u>	<u>QTY.</u>	<u>REMARKS</u>
56	022710607	NYLON NUT	3	
57	468352720	CLEANER STAY	1	
58	011208025	BOLT .....	4	REPLACES P/N 001220825
59	030208200	WASHER, LOCK	4	
60	467467580	PLATE, CLEANER STAY	2	
61	465459670	OIL DRAIN	1	
62	50001600	JOINT	1	
81	468358260	EXHAUST PIPE	1	
82	03740900	PIPE CLIP	1	
100	468219300	AIR CLEANER, CYCLONE	1	
101	468352180	CYCLONE STAY	1	
102	466462850	GASKET, AIR INTAKE	2	
103	467466840	JOINT, CLEANER	1	
104	009110057	SOCKET HEAD BOLT	3	
105	014208020	BOLT .....	2	REPLACES P/N 001220820
106	030208200	WASHER, LOCK	2	
107	0401450080	WASHER, FLAT .....	2	REPLACES P/N 031108160
108	506010060	CLAMP	2	
110	467351900	DUCT HOSE	1	
111	467466850	INTAKE PIPE	1	
112	467466860	GROMMET, CLEANER	1	

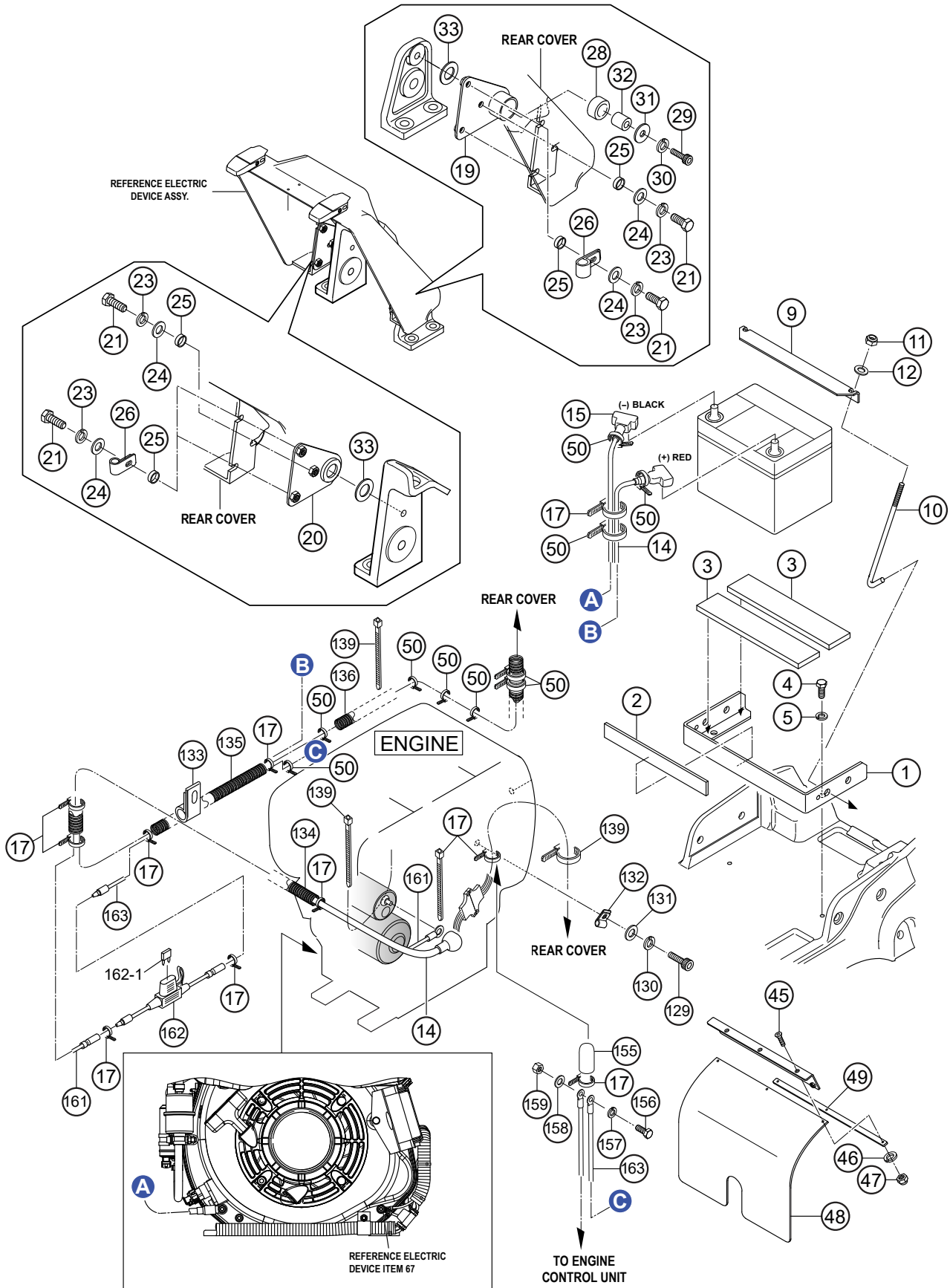




## ELECTRIC DEVICE ASSY.

<u>NO.</u>	<u>PART NO.</u>	<u>PART NAME</u>	<u>QTY.</u>	<u>REMARKS</u>
17	506010070	CLAMP	1	
18	468121270	REAR COVER	1	
35	467467090	CATCH CLIP	2	
36	009120422	SOCKET HEAD BOLT	4	
37	468353290	COVER, PROTECTOR	1	
39	009110095	SOCKET HEAD SCREW	2	
40	468352220	BRACKET, STOPPER	1	
41	939010360	STOPPER RUBBER	2	
42	020108060	NUT.....	2	REPLACES P/N 020308060
43	030208200	WASHER, LOCK	2	
51	467352050	PANEL, REAR COVER	1	
53	009110125	SOCKET HEAD SCREW	4	
54	952404470	WASHER, FLAT .....	5	REPLACES P/N 031106100
55	030206150	WASHER, LOCK	7	
58	467469300	STRING HOLDER, RUBBER	2	
59	467469310	RUBBER STRING	2	
67	467474750	EARTH CORD	1	
75	50384402	IGNITION SWITCH ASSY.	1	
75-1	50404900	KEY, IGNITION SWITCH	1	
76	467358190	WIRE HARNESS	1	
77	50465100	BUZZER	1	
78	465459680	RELAY CABLE, BUZZER	1	
79	467358580	WIRE HARNESS, BUZZER	1	
85	470468770	PROTECTION COVER, SWITCH	1	
86	507010110A	CLAMP.....	1	REPLACES P/N 507010110
90	009110072	PAN HEAD SCREW	2	
91	952407930	COLLAR	2	
92	58151	WASHER, FLAT .....	2	REPLACES P/N 031105080
93	030205130	WASHER, LOCK	2	
94	022710506	NYLON NUT	2	
96	467358220	TACHOMETER/HOUR METER	1	
97	955409080	WIRING, FIXED BASE	1	
98	506010070	CLAMP	16	
99	959021813	SPIRAL TUBE	1	
120	959410380	NUT	4	
121	001520612	SOCKET HEAD BOLT .....	4	NLA
122	009110039	SOCKET HEAD BOLT	3	
123	467358180	ECU PANEL	1	
124	05678500	CABLE HOLDER	1	
125	001520525	SOCKET HEAD BOLT	2	
126	030205130	WASHER, LOCK	2	
127	58151	WASHER, FLAT .....	2	REPLACES P/N 031105080
137	959021810	SPIRAL TUBE	1	
138	959021812	SPIRAL TUBE	1	
139	959409960	CLAMP	1	
140	467358240	PANEL, TACHOMETER/HOUR METER	1	
141	959026024	CORRUGATED TUBE	1	

# BATTERY ASSY.



## BATTERY ASSY.

<u>NO.</u>	<u>PART NO.</u>	<u>PART NAME</u>	<u>QTY.</u>	<u>REMARKS</u>
1	467218920	BATTERY HOLDER	1	
2	456447590	RUBBER PLATE	1	
3	456447600	RUBBER PLATE	2	
4	012210020	BOLT .....	2.....	REPLACES P/N 001221020
5	030210250	WASHER, LOCK	2	
9	464343740	HOLDER, BATTERY	1	
10	469467170	BOLT, BATTERY	2	
11	022710809	NYLON NUT	2	
12	0401450080	WASHER, FLAT .....	2.....	REPLACES P/N 031108160
14	955301030	BATTERY CABLE, POSITIVE	1	
15	955301040	BATTERY CABLE, NEGATIVE	1	
17	506010070	CLAMP	11	
19	467352020	BRACKET, REAR COVER, LEFT SIDE	1	
20	467352030	BRACKET, REAR COVER, RIGHT SIDE	1	
21	001220820	BOLT	6	
23	030208200	WASHER, LOCK	6	
24	0401450080	WASHER, FLAT .....	6.....	REPLACES P/N 031108160
25	952408780	COLLAR	6	
26	959408920	CLIP	4	
28	416459341	RUBBER, VAS HANDLE	2	
29	009110126	SOCKET HEAD BOLT	2	
30	030210250	WASHER, LOCK	2	
31	952408740	WASHER	2	
32	952408790	COLLAR	2	
33	467467250	RUBBER WASHER	2	
45	009120422	SOCKET HEAD BOLT	3	
46	030205130	WASHER, LOCK	3	
47	022710506	NYLON NUT	3	
48	467466930	RUBBER PLATE, BATTERY	1	
49	467466920	STOPPER, RUBBER PLATE	1	
50	506010070	CLAMP	10	
129	001520610	SOCKET HEAD	1	
130	030206150	WASHER, LOCK	1	
131	952404470	WASHER, FLAT .....	1.....	REPLACES P/N 031106100
132	954409880	CLAMP	1	
133	959408930	CLIP	1	
134	959029900	CORRUGATED TUBE	1	
135	959029901	CORRUGATED TUBE	1	
136	959029902	CORRUGATED TUBE	1	
139	959409960	CLAMP	3	
155	467475260	TERMINAL CAP	1	
156	011006010	BOLT .....	1.....	REPLACES P/N 001220610
157	030206150	WASHER, LOCK	1	

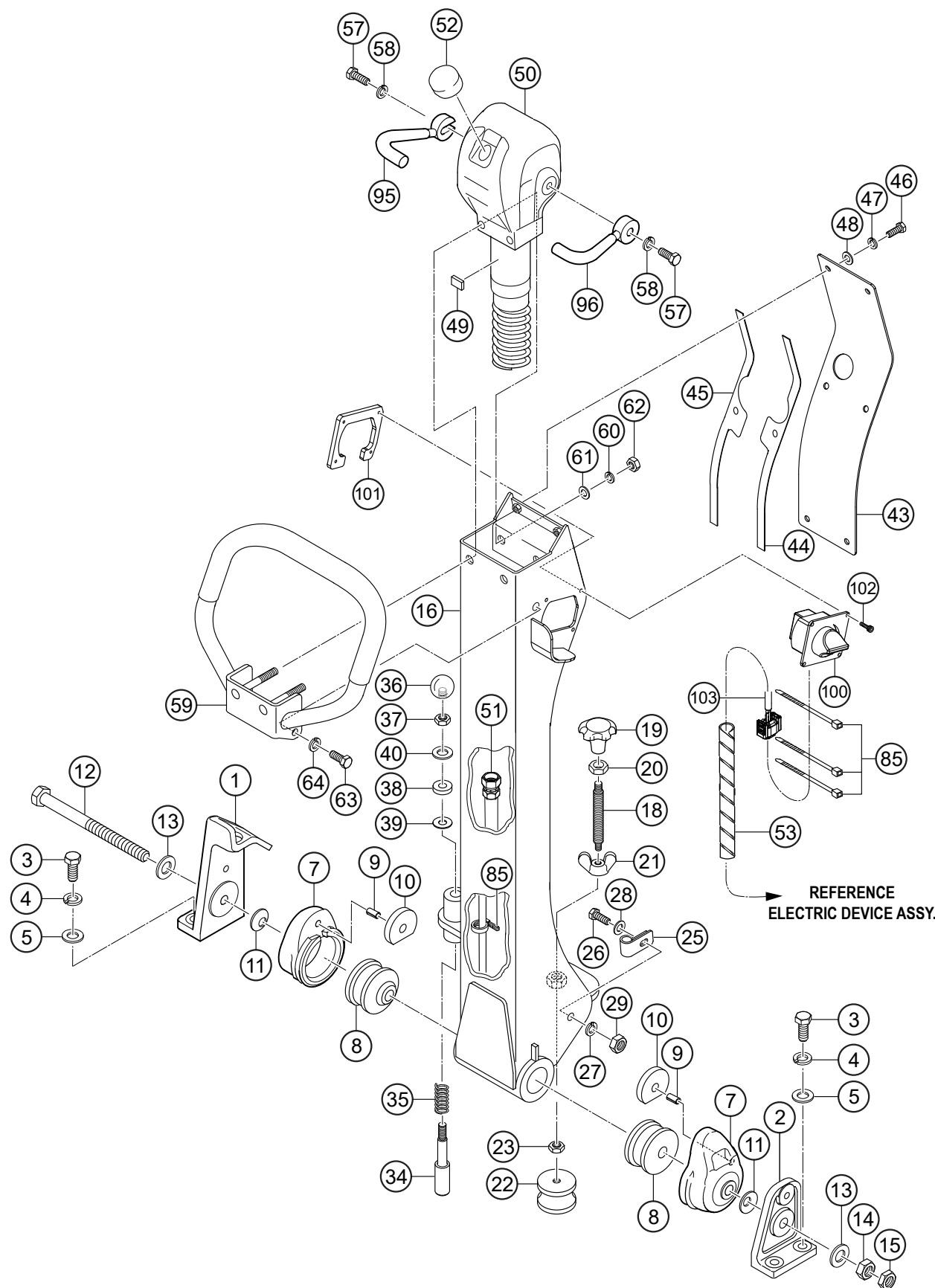


## BATTERY ASSY. (CONT'D.)

---

<u>NO.</u>	<u>PART NO.</u>	<u>PART NAME</u>	<u>QTY.</u>	<u>REMARKS</u>
158	952404470	WASHER, FLAT .....	1.....	REPLACES P/N 031106100
159	020106050	NUT.....	1.....	REPLACES P/N 020306050
161	467475230	RELAY CABLE, STARTER	1	
162	467358730	FUSE HOLDER, SENSOR	1	
162-1	467010040	FUSE, 30A	1	
163	467475220	RELAY CABLE, TERMINAL	1	

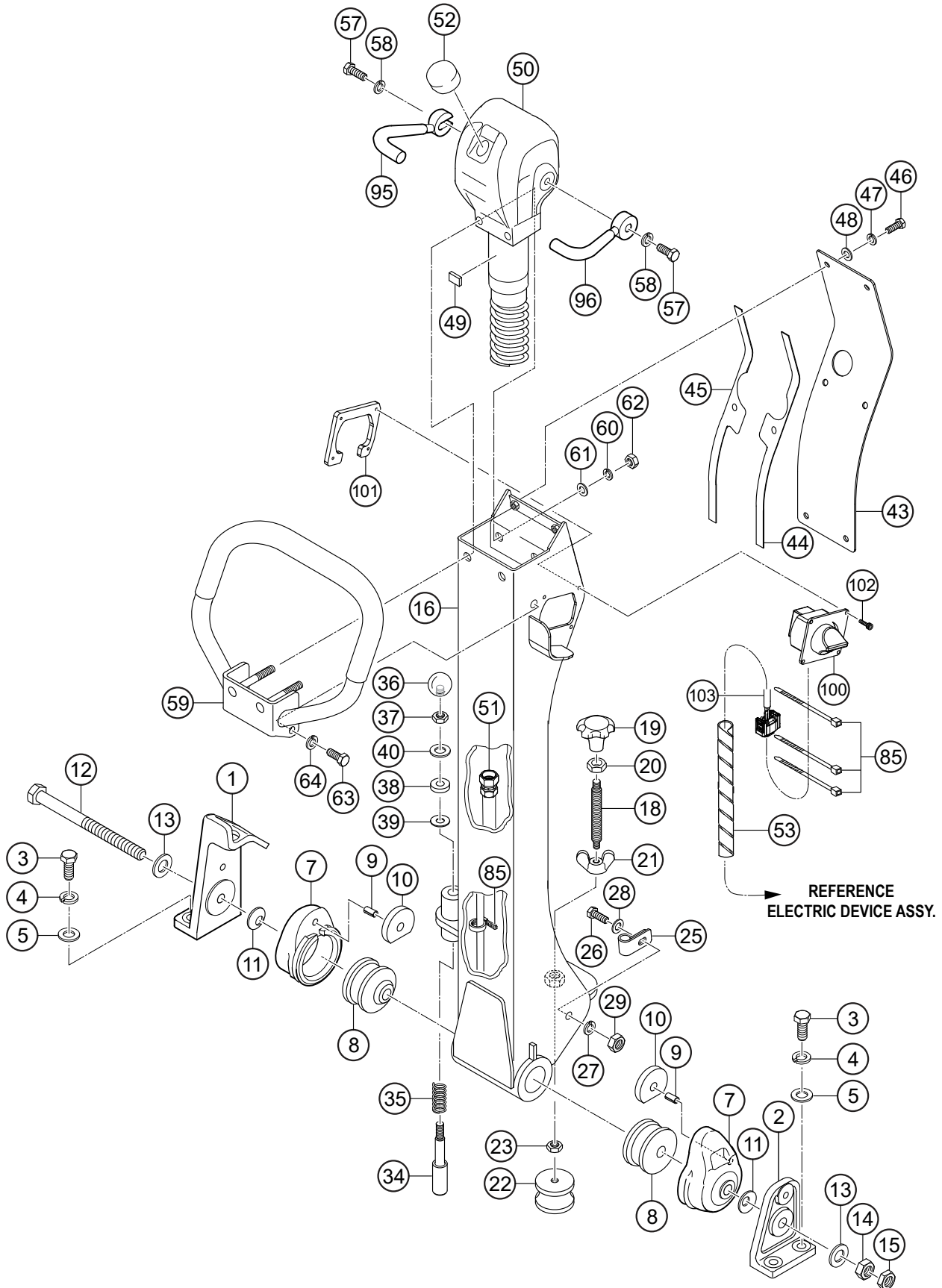
# CONTROL ASSY.



## CONTROL ASSY.

<u>NO.</u>	<u>PART NO.</u>	<u>PART NAME</u>	<u>QTY.</u>	<u>REMARKS</u>
1	467351951	HANDLE BRACKET, RIGHT	1	
2	467351960	HANDLE BRACKET, LEFT	1	
3	012212035	BOLT .....	4	REPLACES P/N 001221235
4	030212300	WASHER, LOCK	4	
5	031112230	WASHER, FLAT	4	
7	456336400	RUBBER COUPLING	2	
8	456449940	SHOCK ABSORBER	2	
9	025306016	SPRING PIN .....	2	REPLACES P/N 025406016
10	456449930	RUBBER PLATE	2	
11	032124400	CONICAL SPRING WASHER	2	
12	001221681	BOLT	1	
13	0401450160	WASHER, FLAT .....	2	REPLACES P/N 031116260
14	020316130	NUT	1	
15	020416100	NUT	1	
16	467123200	HANDLE BAR	1	
18	455434950	SPINDLE	1	
19	455010030	KNOB	1	
20	020412070	NUT	1	
21	022411635	WING NUT	1	
22	939010060	SHOCK ABSORBER	1	
23	020310080	NUT.....	1	REPLACES P/N 020410060
25	959408930	CLIP	1	
26	011206020	BOLT .....	1	REPLACES P/N 001220620
27	030206150	WASHER, LOCK	1	
28	952404470	WASHER, FLAT .....	1	REPLACES P/N 031106100
29	020106050	NUT.....	1	REPLACES P/N 020306050
34	501402870	HANDLE STOPPER	1	
35	501402880	SPRING, HANDLE	1	
36	959403460	BALL GRIP	1	
37	020310080	NUT.....	1	REPLACES P/N 020410060
38	456449980	RUBBER PACKING	1	
39	953405260	PACKING	1	
40	031110160	WASHER, FLAT	1	
43	467358160	HANDLE COVER	1	
44	467475110	PACKING, LEFT, HANDLE	1	
45	467475120	PACKING, RIGHT, HANDLE	1	
46	0105050616	BOLT .....	6	REPLACES P/N 001220615
47	030206150	WASHER, LOCK	6	
48	952404470	WASHER, FLAT .....	6	REPLACES P/N 031106100
49	464457930	RUBBER PIECE	1	
50	468219160	HYDRAULIC HAND PUMP	1	
51	954003110	OIL HOSE	1	
52	458451630	BREATHER CAP	1	
53	959021813	SPIRAL TUBE	1	
57	012010030	BOLT .....	2	REPLACES P/N 001221030
58	030210250	WASHER, LOCK	2	

# CONTROL ASSY. (CONT'D.)





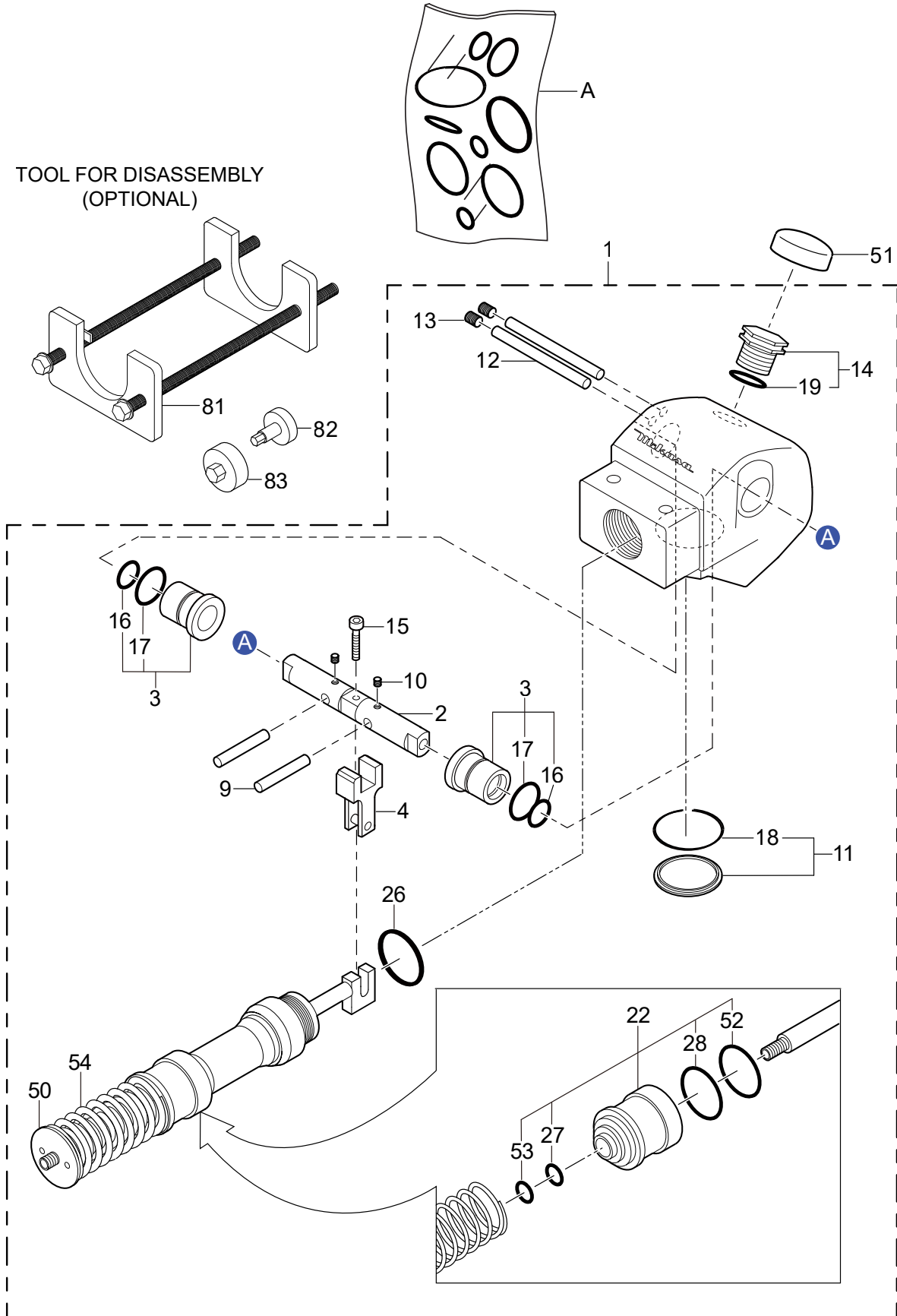
## CONTROL ASSY. (CONT'D.)

---

<u>NO.</u>	<u>PART NO.</u>	<u>PART NAME</u>	<u>QTY.</u>	<u>REMARKS</u>
59	467218901	HANDLE W/RUBBER GRIP	1	
60	030210250	WASHER, LOCK	2	
61	031110160	WASHER, FLAT	2	
62	020310080	NUT	2	
63	0105091025	BOLT .....	2.....	REPLACES P/N 001221025
64	030210250	WASHER, LOCK	2	
85	506010070	CLAMP	4	
95	464216820	TRAVEL LEVER, RIGHT	1	
96	464216830	TRAVEL LEVER, LEFT	1	
100	026086002	CONTROL KNOB, THROTTLE	1	
101	467474740	STAY, CONTROL KNOB	1	
102	001520415	SOCKET HEAD BOLT	4	
103	467358170	HARNESS, THROTTLE	1	

# HYDRAULIC HAND PUMP ASSY.

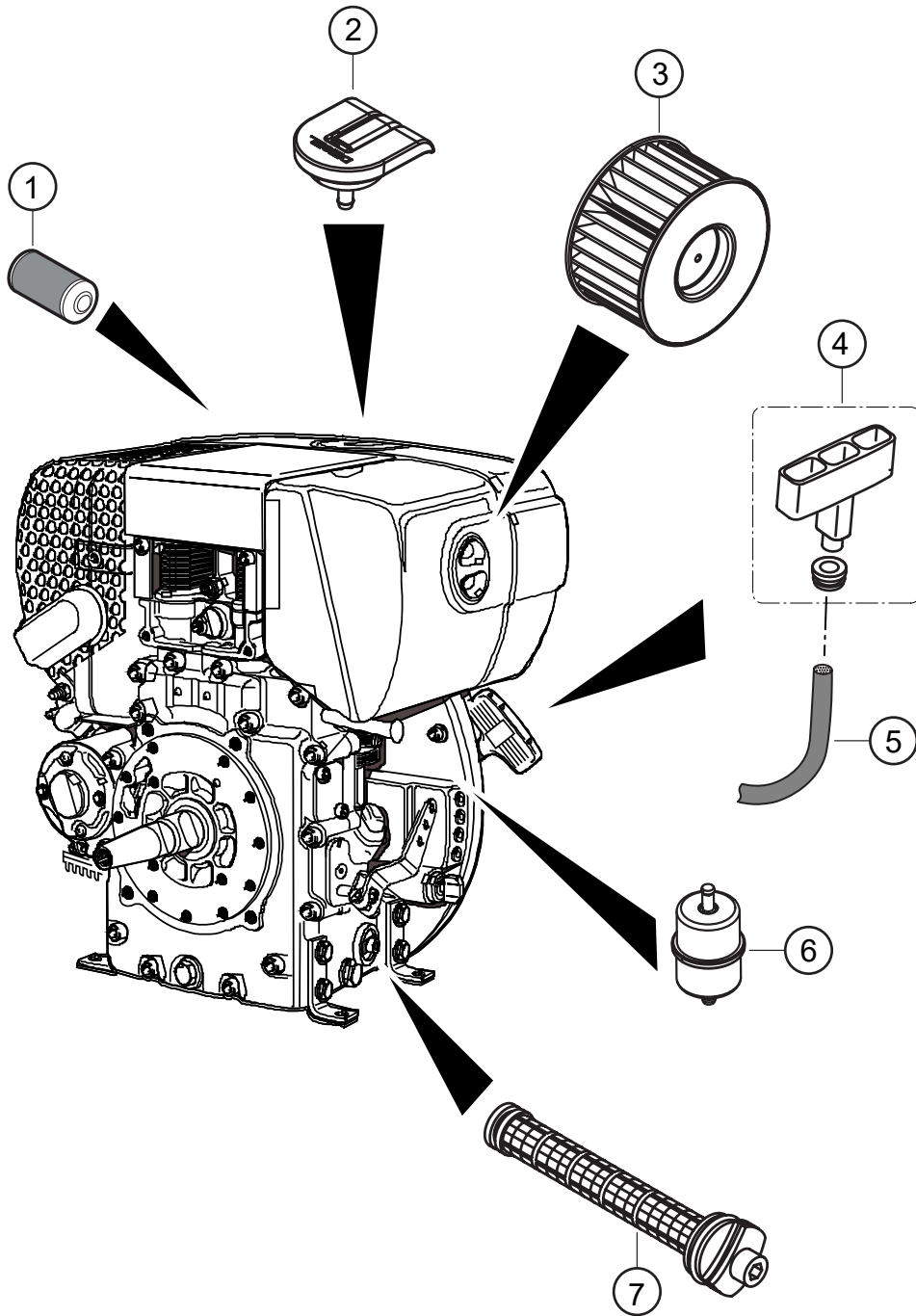
TOOL FOR DISASSEMBLY  
(OPTIONAL)



## HYDRAULIC HAND PUMP ASSY.

<u>NO.</u>	<u>PART NO.</u>	<u>PART NAME</u>	<u>QTY.</u>	<u>REMARKS</u>
A	464910080	SEAL KIT .....	1.....	INCLUDES ITEMS W\$
1	468219160	HAND PUMP ASSEMBLY .....	1.....	INCLUDES ITEMS W/#
2#	464010040	CONTROL SHAFT	1	
3#	467010020	BUSH /MVH-308.....	2.....	INCLUDES ITEMS W/%
4#	464010060	CAM	1	
9#	464010070	STOPPER	2	
10#	099205005	SOCKET HEAD SCREW	2	
11#	464010080	PLUG .....	1.....	INCLUDES ITEMS W/@
12#	464010090	PIN, STOPPER	2	
13#	506010160	SOCKET HEAD PLUG	2	
14#	458010080	BREATHER.....	1.....	INCLUDES ITEMS W/*
15#	014206020	SOCKET HEAD BOLT .....	1.....	REPLACES P/N 001520620
16#\$\$%	050200200	O-RING, P-20	2	
17#\$\$%	050210220	O-RING, P-22 .....	2.....	REPLACES P/N 050200220
18#\$\$@	050300380	O-RING, S-38	1	
19#\$\$*	050200180	O-RING, P-18	1	
22#	464010111	ACCUMULATOR CASE .....	1.....	INCLUDES ITEMS W/&
26#\$\$	050300400	O-RING, S-40	1	
27#\$\$&	050200150	O-RING, P-15	1	
28#\$\$&	050100400	O-RING, G-40	1	
50#	464010120	SPRING PLUG	1	
51	458451630	BREATHER CAP	1	
52#\$\$&	069904010	DUST SEAL, SER-40	1	
53#\$\$&	069901010	DUST SEAL, SER-15	1	
54#	468910030	ACCUMULATOR SPRING SET	1	
81	984010060	SPRING COMPRESSION TOOL	1	
82	984010040	DISASSEMBLING TOOL A	1	
83	984010050	DISASSEMBLING TOOL B	1	

# ENGINE SERVICE PARTS



## ENGINE SERVICE PARTS

---

<u>NO.</u>	<u>PART NO.</u>	<u>PART NAME</u>	<u>QTY.</u>	<u>REMARKS</u>
1	50694100	FILTER, FUEL	1	
2	01535302	CAP, FUEL TANK	1	
3	50484102	ELEMENT, AIR FILTER	1	
4	01497800	STARTER KNOB COMP.	1	
5	01929000	ROPE, RECOIL	1	
6	40089401	IN-LINE FUEL FILTER	1	
7	01542705	FILTER, OIL SUCTION	1	

# PARTS MANUAL

## HERE'S HOW TO GET HELP

PLEASE HAVE THE MODEL AND SERIAL  
NUMBER ON-HAND WHEN CALLING

### UNITED STATES

#### *Multiquip Inc.*

(310) 537- 3700  
6141 Katella Avenue Suite 200  
Cypress, CA 90630  
E-MAIL: [mq@multiquip.com](mailto:mq@multiquip.com)  
WEBSITE: [www.multiquip.com](http://www.multiquip.com)

### CANADA

#### *Multiquip*

(450) 625-2244  
4110 Industriel Boul.  
Laval, Quebec, Canada H7L 6V3  
E-MAIL: [infocanada@multiquip.com](mailto:infocanada@multiquip.com)

### UNITED KINGDOM

#### *Multiquip (UK) Limited Head Office*

0161 339 2223  
Unit 2, Northpoint Industrial Estate,  
Globe Lane,  
Dukinfield, Cheshire SK16 4UJ  
E-MAIL: [sales@multiquip.co.uk](mailto:sales@multiquip.co.uk)

© COPYRIGHT 2023, MULTIQUIP INC.

Multiquip Inc, the MQ logo are registered trademarks of Multiquip Inc. and may not be used, reproduced, or altered without written permission. All other trademarks are the property of their respective owners and used with permission.

This manual MUST accompany the equipment at all times. This manual is considered a permanent part of the equipment and should remain with the unit if resold.

The information and specifications included in this publication were in effect at the time of approval for printing. Illustrations, descriptions, references and technical data contained in this manual are for guidance only and may not be considered as binding. Multiquip Inc. reserves the right to discontinue or change specifications, design or the information published in this publication at any time without notice and without incurring any obligations.

Your Local Dealer is:

