

PARTS MANUAL



Mikasa

MODEL MVHeR60
REVERSIBLE PLATE COMPACTOR
(HONDA GXE2.0H DC POWER UNIT
HONDA DP72104Z BATTERY)

Revision #2 (06/02/26)

To find the latest revision of this publication or associated operation manual, visit our website at: www.multiquip.com



THIS MANUAL MUST ACCOMPANY THE EQUIPMENT AT ALL TIMES.

**MVHeR60
Plate Compactor**

Explanation of Code in Remarks Column..... 4
Suggested Spare Parts 5

Component Drawings

Nameplate and Decals Assembly..... 6-7
Control Handle Assembly 8-9
Body Assembly 10-11
Vibrator Assembly..... 12-13
Vibrating Plate Assembly 14-15
Electric Motor Assembly 16-17
Battery Tray Assembly 18-19
Battery Charger Assembly 20-21
Water Tank Assembly (Option) 22-23
Transport Wheel Assembly (Option)..... 24-25

NOTICE
Specifications and part numbers are subject to change without notice.

EXPLANATION OF CODE IN REMARKS COLUMN

The following section explains the different symbols and remarks used in the Parts section of this manual. Use the help numbers found on the back page of the manual if there are any questions.

NOTICE

The contents and part numbers listed in the parts section are subject to change without notice. Multiquip does not guarantee the availability of the parts listed.

SAMPLE PARTS LIST

NO.	PART NO.	PART NAME	QTY.	REMARKS
1	12345	BOLT	1	INCLUDES ITEMS W/%
2%		WASHER, 1/4 IN.		NOT SOLD SEPARATELY
2%	12347	WASHER, 3/8 IN. ...	1	MQ-45T ONLY
3	12348	HOSE	A/R	MAKE LOCALLY
4	12349	BEARING	1	S/N 2345B AND ABOVE

NO. Column

Unique Symbols — All items with same unique symbol (@, #, +, %, or >) in the number column belong to the same assembly or kit, which is indicated by a note in the “Remarks” column.

Duplicate Item Numbers — Duplicate numbers indicate multiple part numbers, which are in effect for the same general item, such as different size saw blade guards in use or a part that has been updated on newer versions of the same machine.

NOTICE

When ordering a part that has more than one item number listed, check the remarks column for help in determining the proper part to order.

PART NO. Column

Numbers Used — Part numbers can be indicated by a number, a blank entry, or TBD.

TBD (To Be Determined) is generally used to show a part that has not been assigned a formal part number at the time of publication.

A blank entry generally indicates that the item is not sold separately or is not sold by Multiquip. Other entries will be clarified in the “Remarks” Column.

QTY. Column

Numbers Used — Item quantity can be indicated by a number, a blank entry, or A/R.

A/R (As Required) is generally used for hoses or other parts that are sold in bulk and cut to length.

A blank entry generally indicates that the item is not sold separately. Other entries will be clarified in the “Remarks” Column.

REMARKS Column

Some of the most common notes found in the “Remarks” Column are listed below. Other additional notes needed to describe the item can also be shown.

Assembly/Kit — All items on the parts list with the same unique symbol will be included when this item is purchased.

Indicated by:

“INCLUDES ITEMS W/(unique symbol)”

Serial Number Break — Used to list an effective serial number range where a particular part is used.

Indicated by:

“S/N XXXXX AND BELOW”

“S/N XXXX AND ABOVE”

“S/N XXXX TO S/N XXX”

Specific Model Number Use — Indicates that the part is used only with the specific model number or model number variant listed. It can also be used to show a part is NOT used on a specific model or model number variant.

Indicated by:

“XXXXX ONLY”

“NOT USED ON XXXX”

“Make/Obtain Locally” — Indicates that the part can be purchased at any hardware shop or made out of available items. Examples include battery cables, shims, and certain washers and nuts.

“Not Sold Separately” — Indicates that an item cannot be purchased as a separate item and is either part of an assembly/kit that can be purchased, or is not available for sale through Multiquip.

SUGGESTED SPARE PARTS

MVHeR60 PLATE COMPACTOR WITH HONDA GXE2.0H ELECTRIC MOTOR

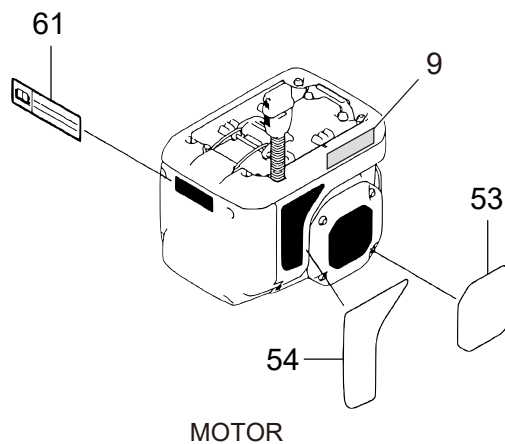
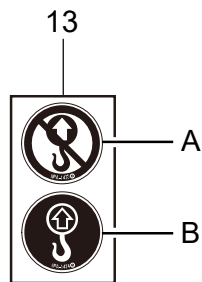
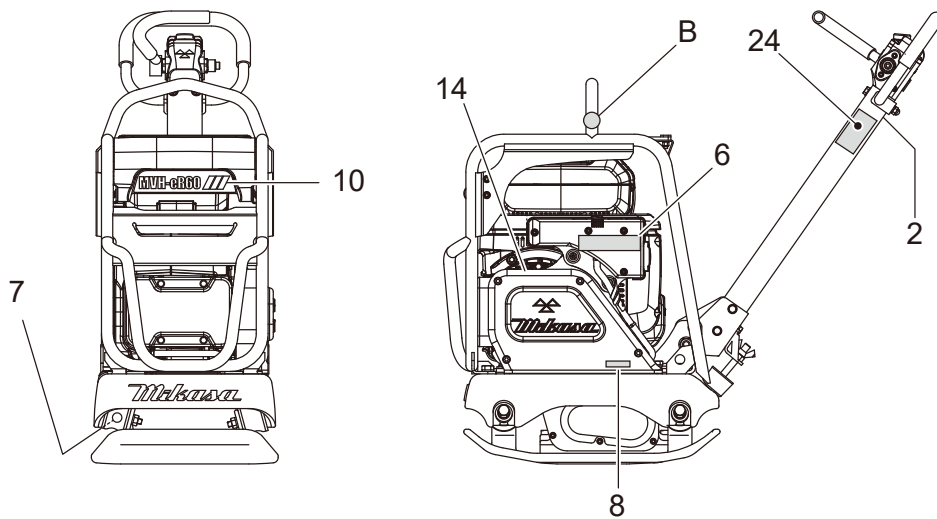
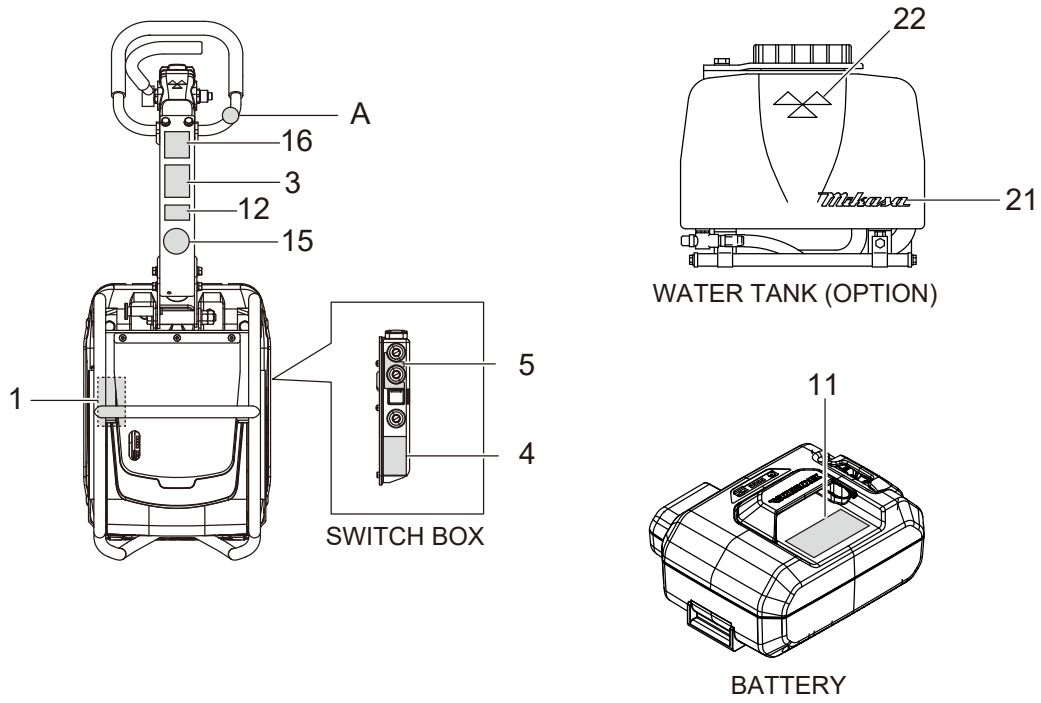
1 to 3 units

Qty.	P/N	Description
1.....	070100312.....	V-BELT
2.....	939010420.....	SHOCK ABSORBER
1.....	421220330.....	SWITCH BOX
2.....	1N4218A0003.....	LAMP ASSEMBLY, IND (ORANGE)
2.....	1N4228A0003.....	LAMP ASSEMBLY, IND (RED)
2.....	1N4238A0003.....	LAMP ASSEMBLY, IND (GREEN)
1.....	MCB7210.....	BATTERY PACK, LITHIUM-ION 72V 10AH

NOTICE

Part numbers on this Suggested Spare Parts list may supersede/replace the part numbers shown in the following parts lists.

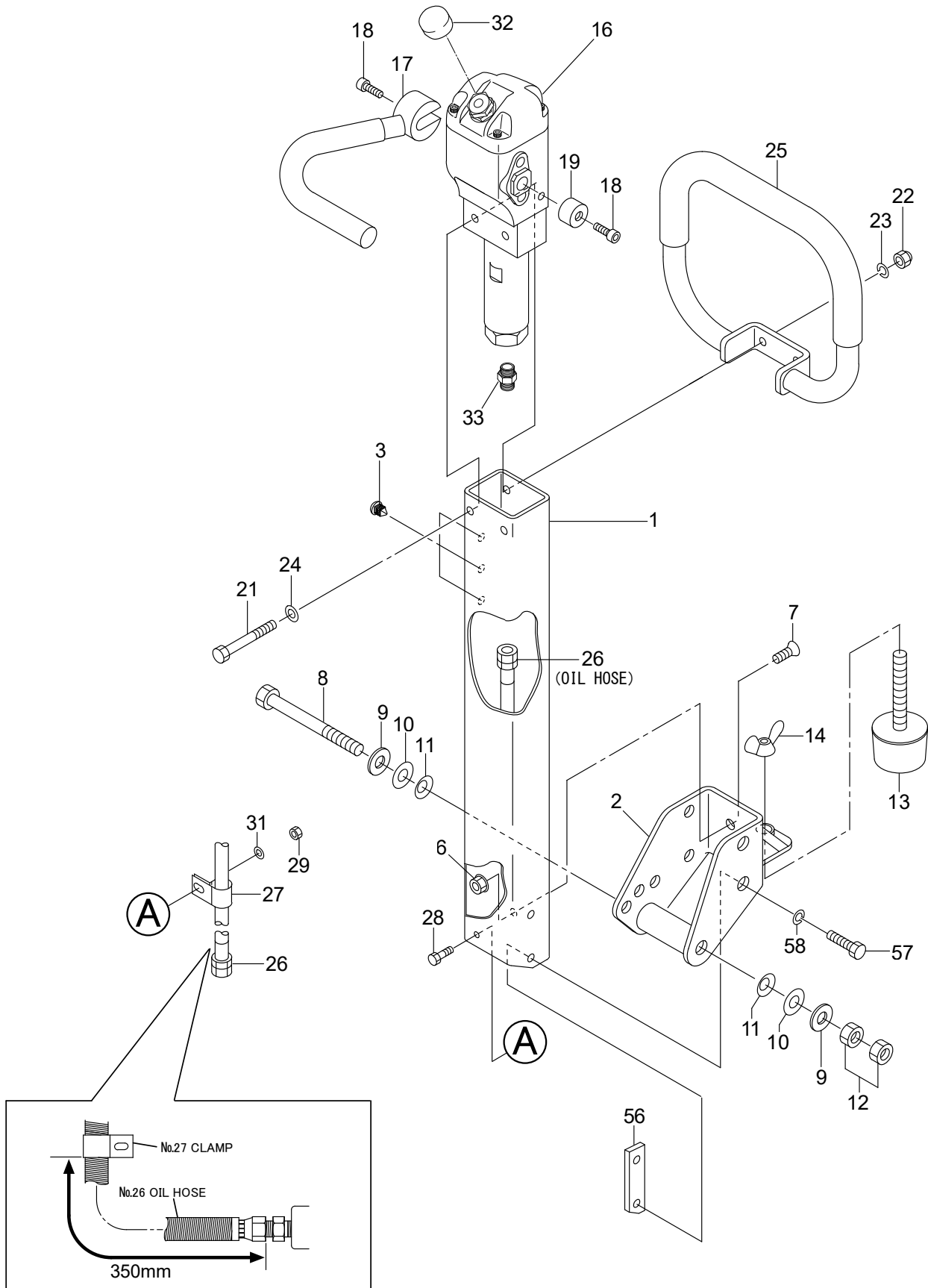
NAMEPLATE AND DECALS ASSY.



NAMEPLATE AND DECALS ASSY.

<u>NO.</u>	<u>PART NO.</u>	<u>PART NAME</u>	<u>QTY.</u>	<u>REMARKS</u>
1	920224370	DECAL; NAMEPLATE /eR60 /MQ	1	
2	920211090	DECAL; SHELL TELLUS OIL 32	1	
3	920224720	DECAL; COMBI. CAUTION /eR60	1	
4	920224360	DECAL; START-STOP/eGX	1	
5	920224390	DECAL; LED/e60	1	
6	920224690	DECAL; EARTH SMART	1	
7	920201950	DECAL; OIL SAE 10W-30	1	
8	920207590	DECAL; V-BELT (RPF-3310)	1	
9	920224760	DECAL; CAUTION RAINY AND WASH	1	
10	920224430	DECAL; MVH-eR60 /ORANGE	1	
11	1D1438B0A01	LABEL; CAUTION(A) EXP/eGX	1	
12	920224780	DECAL; NEUTRAL OPERATION/EN	1	
13	920900180	DECAL; SET TWO KINDS	1	
14	920201580	DECAL; MQ MARK 71X55	1	
15	920224750	DECAL; MQ 3 YEAR WARRANTY	1	
16	920210330	DECAL; EC NOISE REQ. LWA105	1	
21	920113430	DECAL; MIKASA MARK 125MM	1	
22	920108850	DECAL; M-MARK Y-40X80	1	
24	920222240	DECAL; PROPOSITION 65	1	
53	875218A0600	MARK; EMBLEM	1	
54	875238A0600	MARK; ELECTRIC PW	1	
61	875168A0620	MARK; OPER. CAUTION (E)	1	

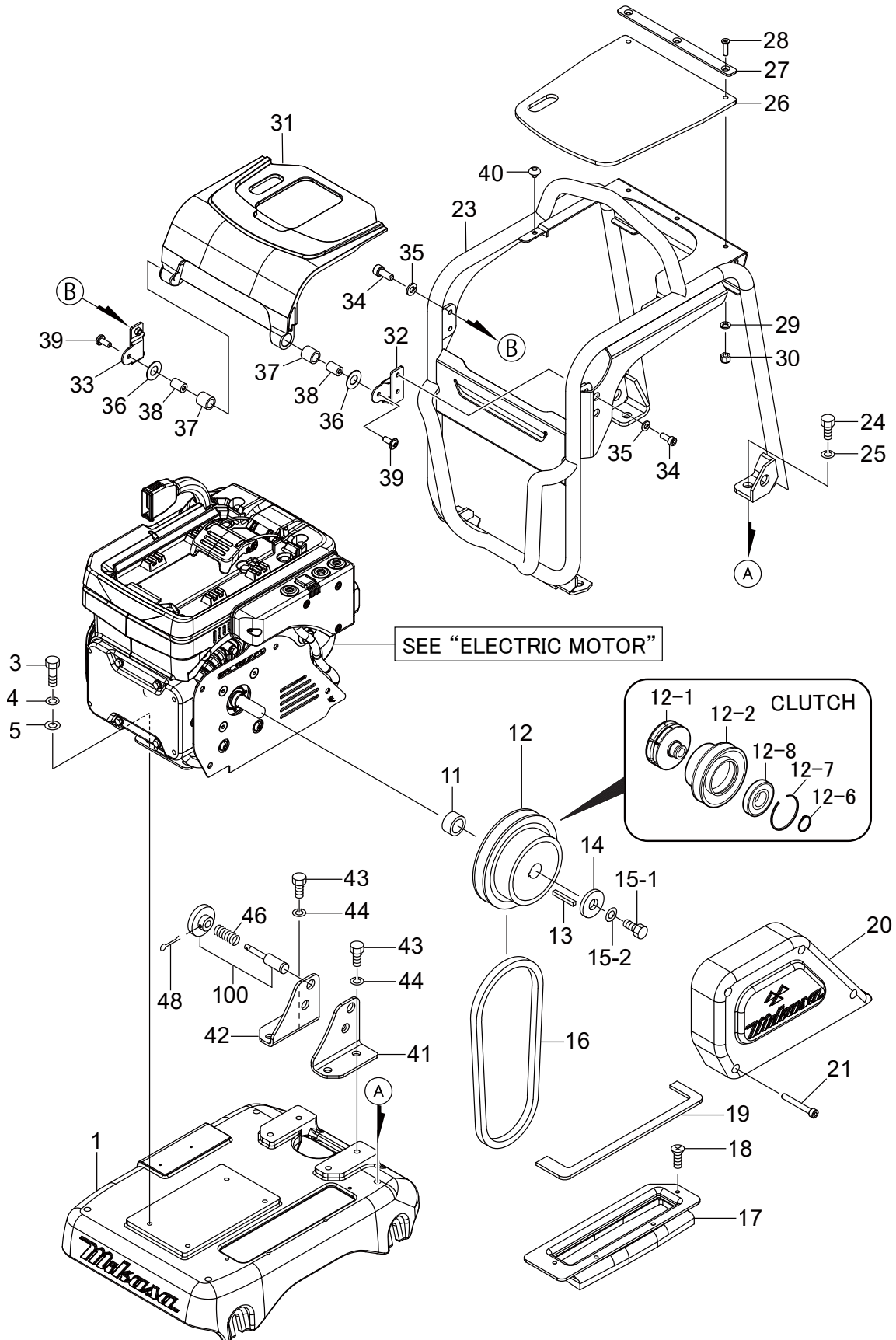
CONTROL HANDLE ASSY.



CONTROL HANDLE ASSY.

<u>NO.</u>	<u>PART NO.</u>	<u>PART NAME</u>	<u>QTY.</u>	<u>REMARKS</u>
1	463342849OR	HANDLE (ORANGE)	1	
2	473357350OR	BRACKET, HANDLE (ORANGE)	1	
3	953409110	BRUSH CLIP	3	
6	022610808	FLANGE NUT, M8	1	
7	009120408	SUNK HEAD BOLT, 8X20	1	
8	001221464	BOLT, 14X120	1	
9	031114260	WASHER, FLAT M14	2	
10	458450660	WASHER	2	
11	032114250	CONICAL SPRING WASHER, M14	2	
12	020314110	NUT, M14	2	
13	939010220	SHOCK ABSORBER, STOPPER	1	
14	022910220	WING NUT, M12	1	
16	463219840	HAND PUMP ASSEMBLY	1	
17	463342130OR	TRAVEL LEVER (ORANGE)	1	
18	014208020	SOCKET HEAD BOLT, 8X20	2.....	REPLACES P/N 001520820
19	458451420	COLLAR	1	
21	001220854	BOLT, 8X70	2	
22	022130806	CAP NUT, M8	2	
23	030208200	WASHER, LOCK M8	2	
24	0401450080	WASHER, FLAT M8	2.....	REPLACES P/N 031108160
25	463342159OR	HANDLE GRIP (ORANGE)	1	
26	954002250	OIL HOSE	1	
27	954404230	CLAMP	1	
28	001220620	BOLT, 6X20	1	
29	020106050	NUT, M6	1.....	REPLACES P/N 020306050
31	952404470	WASHER, FLAT M6	1.....	REPLACES P/N 031106100
32	458451630	BREATHER CAP	1	
33	954003150	MALE CONNECTOR, O-RING 1/4	1	
56	463462920	HANDLE MOUNT NUT	2	
57	001220820	BOLT, 8X20	4	
58	030208200	WASHER, LOCK M8	4	

BODY ASSY.



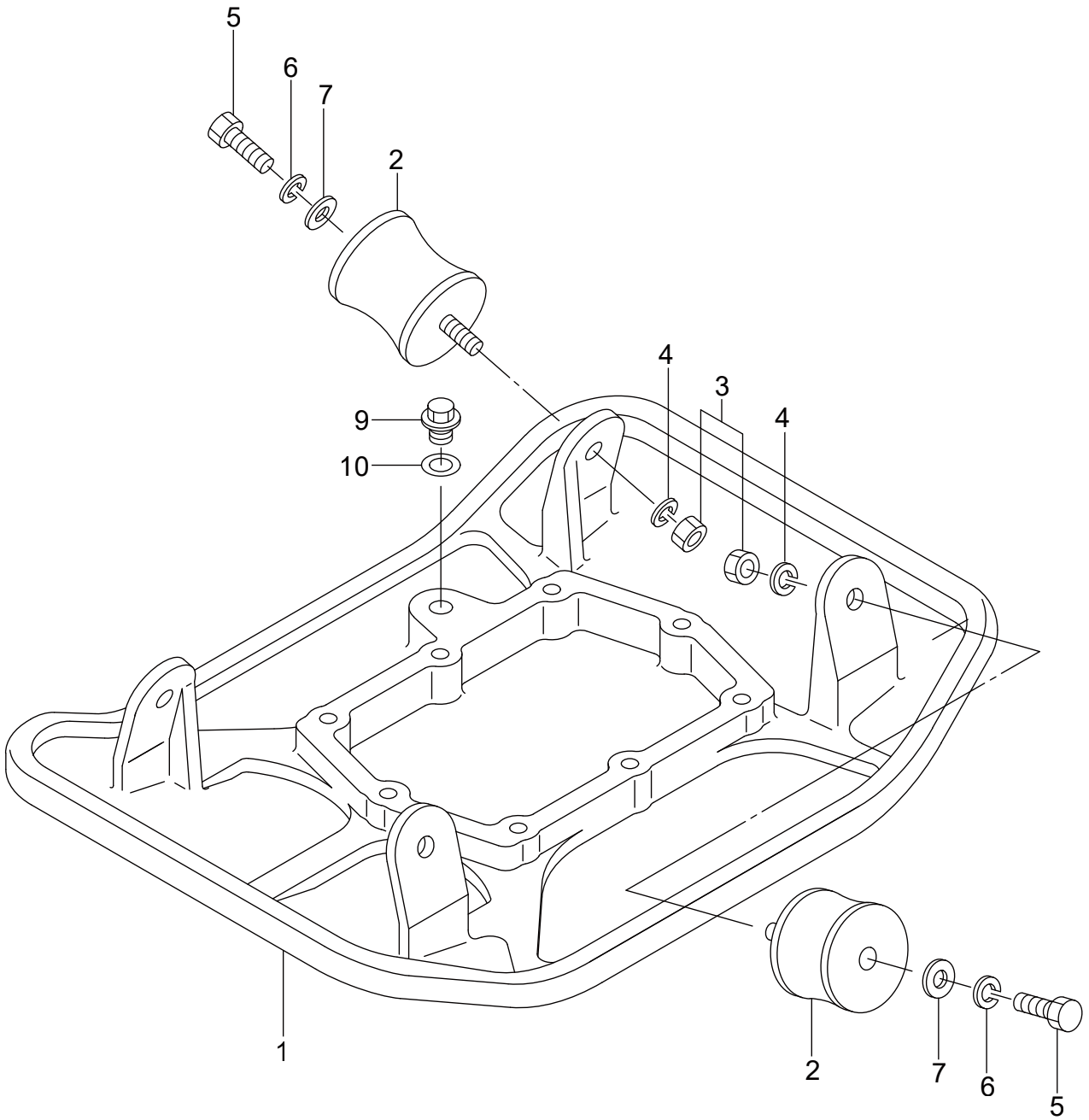
BODY ASSY.

<u>NO.</u>	<u>PART NO.</u>	<u>PART NAME</u>	<u>QTY.</u>	<u>REMARKS</u>
1	473122960OR	BASE (ORANGE)	1	
3	011208025	BOLT, 8X25.....	4	REPLACES P/N 001220825
4	030208200	WASHER, LOCK M8	4	
5	0401450080	WASHER, FLAT M8.....	4	REPLACES P/N 031108160
11	473473700	CLUTCH SPACER, 18X34X5	1	
12	460446780	CLUTCH ASSEMBLY	1	
12-1	943920080	CLUTCH SHAFT	1	
12-2	941010400	CLUTCH PULLEY	1	
12-6	080200300	SNAP RING	1	
12-7	080600550	CLIP	1	
12-8	042006006	BEARING.....	1	REPLACES P/N 046006006
13	0320050150	KEY, 5X5X35.....	1	REPLACES P/N 951400100
14	952400130	WASHER	1	
15-1	011208025	BOLT, 8X25.....	1	REPLACES P/N 001220825
15-2	030208200	WASHER, LOCK M8	1	
16	070100312	V-BELT	1	
17	463216120	DUST COVER	1	
18	092006010	FLAT HEAD SCREW, 6X10	4	
19	473357290	SPONGE, DUST COVER	1	
20	473122970	BELT COVER	1	
21	009110118	SOCKET HEAD BOLT, 8X60	4	
23	473122980	GUARD FRAME	1	
24	012012030	BOLT, 12X30.....	4	REPLACES P/N 001221230
25	030212300	WASHER, LOCK M12	4	
26	473473650	RUBBER COVER	1	
27	473473660	PLATE, RUBBER COVER	1	
28	009120414	SUNK HEAD BOLT, 6X20	3	
29	030206150	WASHER, LOCK M6	3	
30	022710607	NYLON NUT, M6	3	
31	473122990	TOP COVER	1	
32	473357300	TOP COVER HINGE (L)	1	
33	473357310	TOP COVER HINGE (R)	1	
34	009110060	SOCKET HEAD BOLT, 6X15	4	
35	030206150	WASHER, LOCK M6	4	
36	952410640	WASHER, 15X30X1.0	2	
37	952410650	RUBBER BUSHING, 14X20X20	2	
38	473473670	HINGE PIN, 14	2	
39	009110117	SOCKET HEAD SCREW, 6X15	2	
40	953410660	RUBBER CUSHION, 14	2	
41	473357320	HANDLE STAY (L)	1	
42	473357330	HANDLE STAY (R)	1	
43	012010030	BOLT, 10X30.....	4	REPLACES P/N 001221030
44	030210250	WASHER, LOCK M10	4	
46	458450880	SPRING, 1.2-10-29	1	
48	025402516	PIN, SPRING 2.5X16	1	
100	458910030	STOPPER AND GRIP SET	1	

VIBRATOR ASSY.

<u>NO.</u>	<u>PART NO.</u>	<u>PART NAME</u>	<u>QTY.</u>	<u>REMARKS</u>
A	473910010	VIBRATOR ASSEMBLY	1.....	INCLUDES ITEMS W/#
1#	463117150	VIBRATING CASE	1	
2#	040406206	BEARING	4	
3#	463342040	ROTARY SHAFT, DRIVE	1	
4#	463342050	ROTARY SHAFT, DRIVEN	1	
5#	080200350	STOP RING, S-35	4	
6#	951405460	KEY, 10X8X19	1	
7#	463342060	GEAR, DRIVE	1	
8#	463342070	GEAR, DRIVEN	1	
9#	040306807	BEARING	2	
11#	463342080	PISTON ROD	1	
12#	025508045	PIN, 8X45	1	
13#	042006000	BEARING.....	2.....	REPLACES P/N 042506000
14#	0080000010	STOP RING, S-10.....	1.....	REPLACES P/N 080200100
15#	455435051	PISTON, 22.4D	1	
16#	455010070	PACKING	1	
17#	080100260	STOP RING, R-26	1	
19#	473474570	ECCENT. ROTATOR, DRIVE	2	
20#	473474580	ECCENT. ROTATOR, DRIVEN	2	
21#	009120304	SOCKET HEAD BOLT, 10X25	4	
22#	060202040	OIL SEAL	1	
23#	463455930	BEARING COVER	1	
24#	001220820	BOLT, 8X20	4	
25#	030208200	WASHER, LOCK M8	4	
26#	0401450080	WASHER, FLAT M8.....	4.....	REPLACES P/N 031108160
27#	953405580	SEAL CAP	1	
29#	463349940	CYLINDER, SLIPPAGE TYPE	1	
30#	001220820	BOLT, 8X20	4	
31#	030208200	WASHER, LOCK M8	4	
32#	0401450080	WASHER, FLAT M8.....	4.....	REPLACES P/N 031108160
33#	011008015	BOLT, 8X12.....	1.....	REPLACES P/N 001220812
34#	953404600	COPPER PACKING, 8X16X2	1	
35#	954010020	CONNECTOR	1	
37#	473357340	PULLEY	1	
38#	951405240	KEY, 7X7X19	1	
39#	473473690	WASHER	1	
40#	011208025	BOLT, 8X25.....	1.....	REPLACES P/N 001220825
41#	030208200	WASHER, LOCK M8	1	
43#	463216110	BELT COVER, LOWER	1	
44#	001520640	SOCKET HEAD BOLT, 6X40	5	
46	001521030	SOCKET HEAD BOLT, 10X30	2	
47	001521060	SOCKET HEAD BOLT, 10X100	6	
51#	463471200	SPRING, 1.2D	1	
52#	080100190	STOP RING, R-19	1	
53#	0401450080	WASHER, FLAT M8.....	1.....	REPLACES P/N 031108160

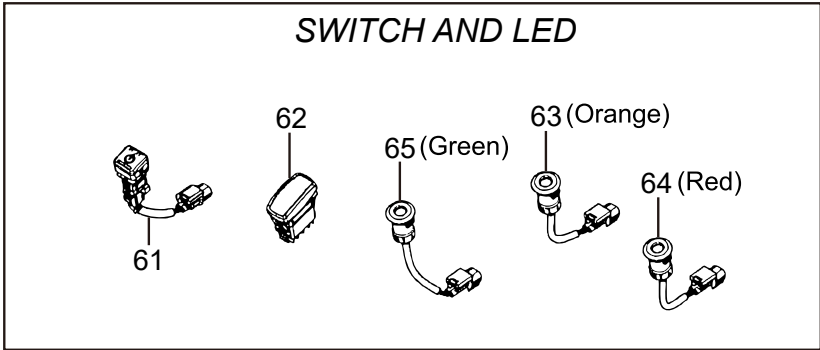
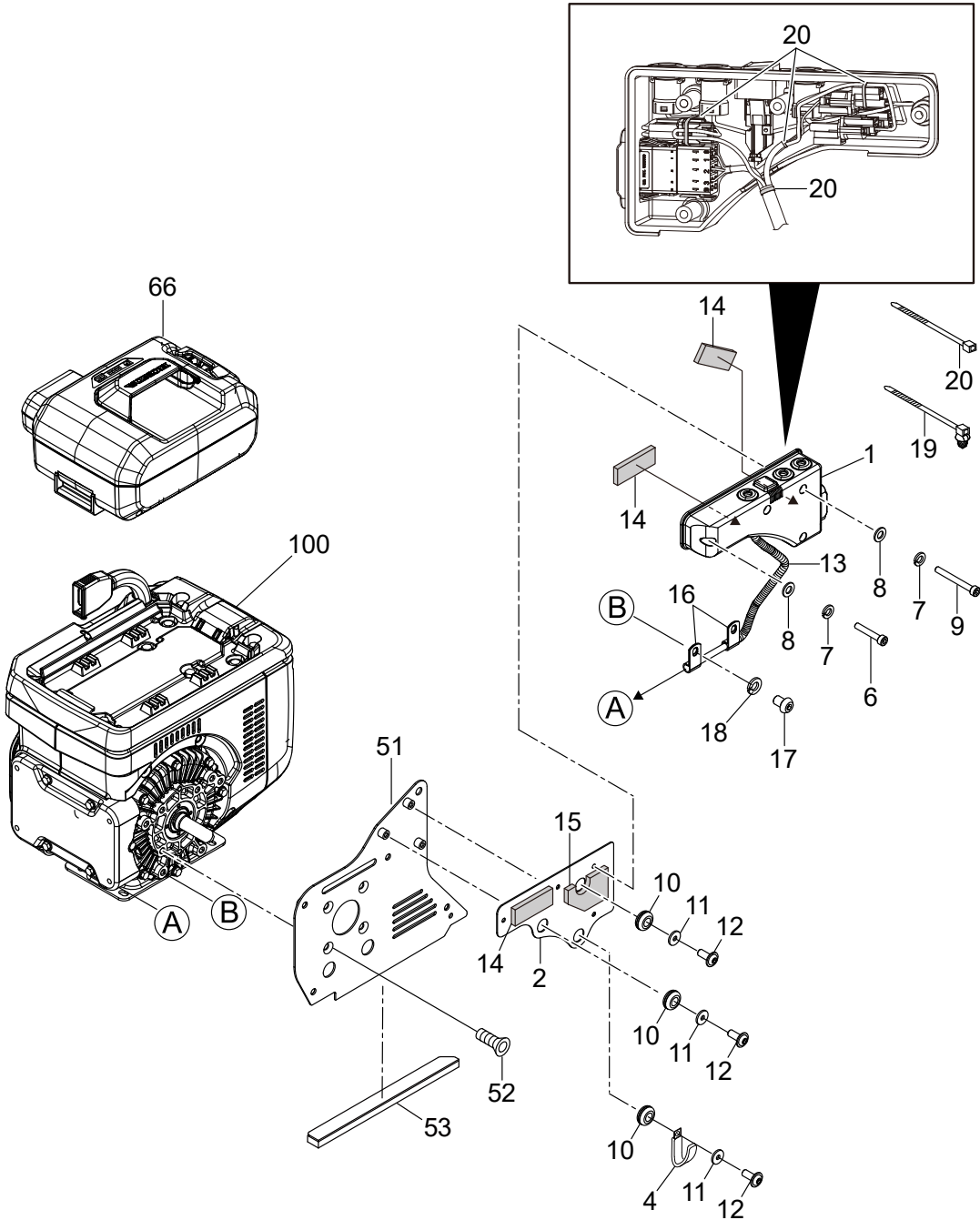
VIBRATING PLATE ASSY.



VIBRATING PLATE ASSY.

<u>NO.</u>	<u>PART NO.</u>	<u>PART NAME</u>	<u>QTY.</u>	<u>REMARKS</u>
1	463117110	VIBRATING PLATE	1	
2	939010420	SHOCK ABSORBER	4	
3	020310080	NUT, M10	4	
4	030210250	WASHER, LOCK M10	4	
5	012010030	BOLT, 10X30.....	4.....	REPLACES P/N 001221030
6	030210250	WASHER, LOCK M10	4	
7	952401660	WASHER	4	
9	460449160	OIL GAUGE	1	
10	953405260	COPPER PACKING, 1/4	1	

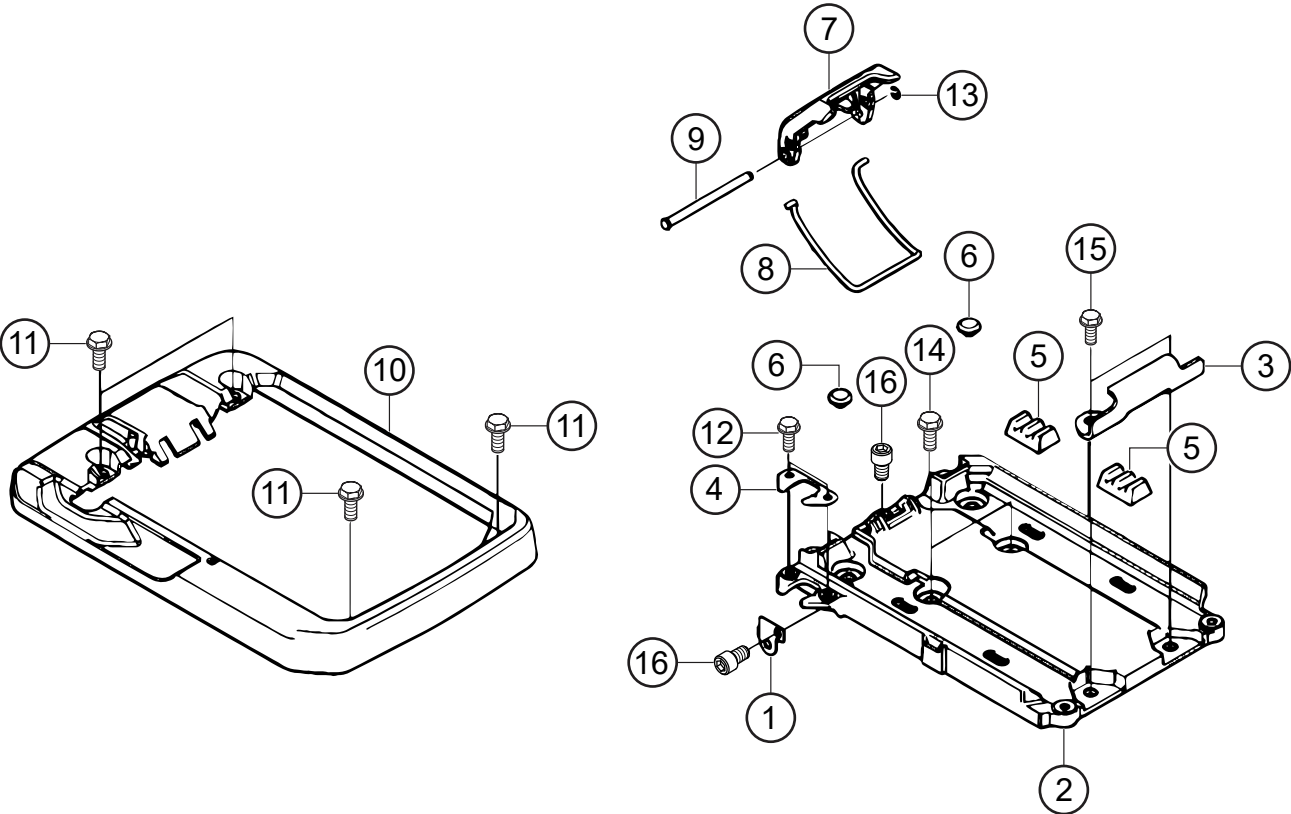
ELECTRIC MOTOR ASSY.



ELECTRIC MOTOR ASSY.

<u>NO.</u>	<u>PART NO.</u>	<u>PART NAME</u>	<u>QTY.</u>	<u>REMARKS</u>
1	421220330	SWITCH BOX	1	
2	421357130	SWITCH BOX PANEL	1	
4	954410020	CLAMP, D6.5XL95XT0.8	1	
6	001520530	SOCKET HEAD BOLT, 5X30	1	
7	030205130	WASHER, LOCK M5	4	
8	58151	WASHER, FLAT M5.....	4	REPLACES P/N 031105080
9	001520545	SOCKET HEAD BOLT, 5X45	3	
10	473473680	GROMMET	3	
11	952410670	WASHER, 6.5X20X2.3	3	
12	009110117	SOCKET HEAD SCREW, 6X15	3	
13	959029802	CORRUGATE TUBE, 10MM-250L	1	
14	421473430	CUSHION, 30X80	3	
15	421473440	CUSHION, 55X85	1	
16	959410810	CLIP, 11 (M8)	2	
17	009110103	SOCKET HEAD SCREW, 8X12	2	
18	0401450080	WASHER, FLAT M8.....	2	REPLACES P/N 031108160
19	91541S0A003	CLIP, HARNESS BAND	1	
20	454010020	CLAMP	8	
51	473357270	SWITCH BOX HOLDER	1	
52	009120408	SUNK HEAD, BOLT 8X20	4	
53	473357280	SPONGE, INNER, DUST COVER	1	
61	1N3118A0003	SWITCH ASSEMBLY, POWER	1	
62	1N3308A0003	SWITCH ASSEMBLY, START	1	
63	1N4218A0003	LAMP ASSEMBLY, IND (ORANGE)	1	
64	1N4228A0003	LAMP ASSEMBLY, IND (RED)	1	
65	1N4238A0003	LAMP ASSEMBLY, IND (GREEN)	1	
66	MCB7210	BATTERY PACK, LITHIUM-ION 72V 10AH	1	
100	912721601	HONDA GXE2.0H ELEC. MOTOR (INTEGR.)	1	

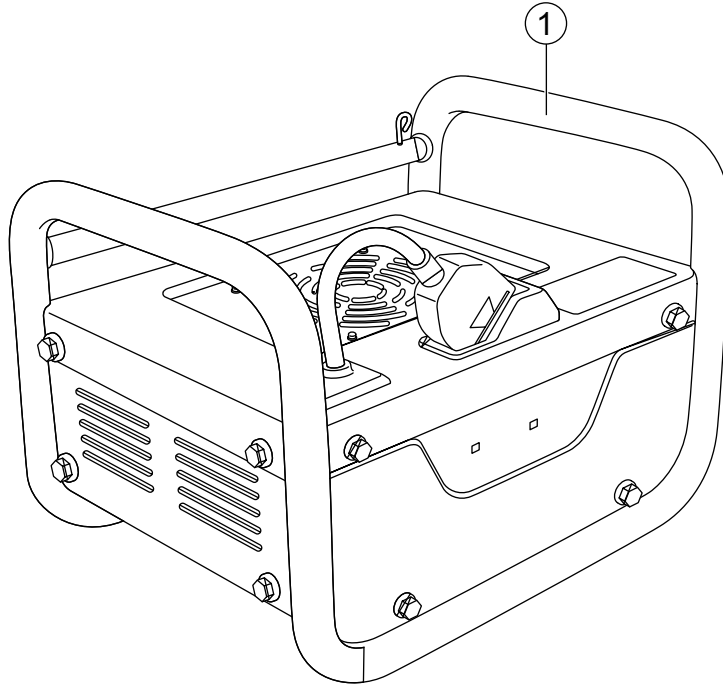
BATTERY TRAY ASSY.



BATTERY TRAY ASSY.

<u>NO.</u>	<u>PART NO.</u>	<u>PART NAME</u>	<u>QTY.</u>	<u>REMARKS</u>
1	1F2228A0600	BRACKET, HARN CLIP A	1	
2	601058A0000	TRAY, BATTERY	1	
3	601078A0000	HOOK, BATTERY	1	
4	601238A0600	STAY, CONNECTOR	1	
5	608018A0000	RUBBER, BATTERY MOUNT	4	
6	608068A0600	CAP, HOLE 8MM	2	
7	609028A0000ZA	LAVER, FASTENER	1	
8	609038A0000	WIRE, FASTENER	1	
9	609048A0000	PIN, LOCK LEVER	1	
10	611058A0600ZB	COVER, BATTERY TRAY NH1 (BLACK)	1	
11	900028A0000	BOLT, SPECIAL 6X16	4	
12	90007892000	BOLT, FLANGE 5X12	2	
13	9454004018	E RING, 4	1	
14	957010801608	BOLT, FLANGE 8X16	2	
15	957010802008	BOLT, FLANGE 8X20	2	
16	966000601208	BOLT, SOCKET 6X12	2	

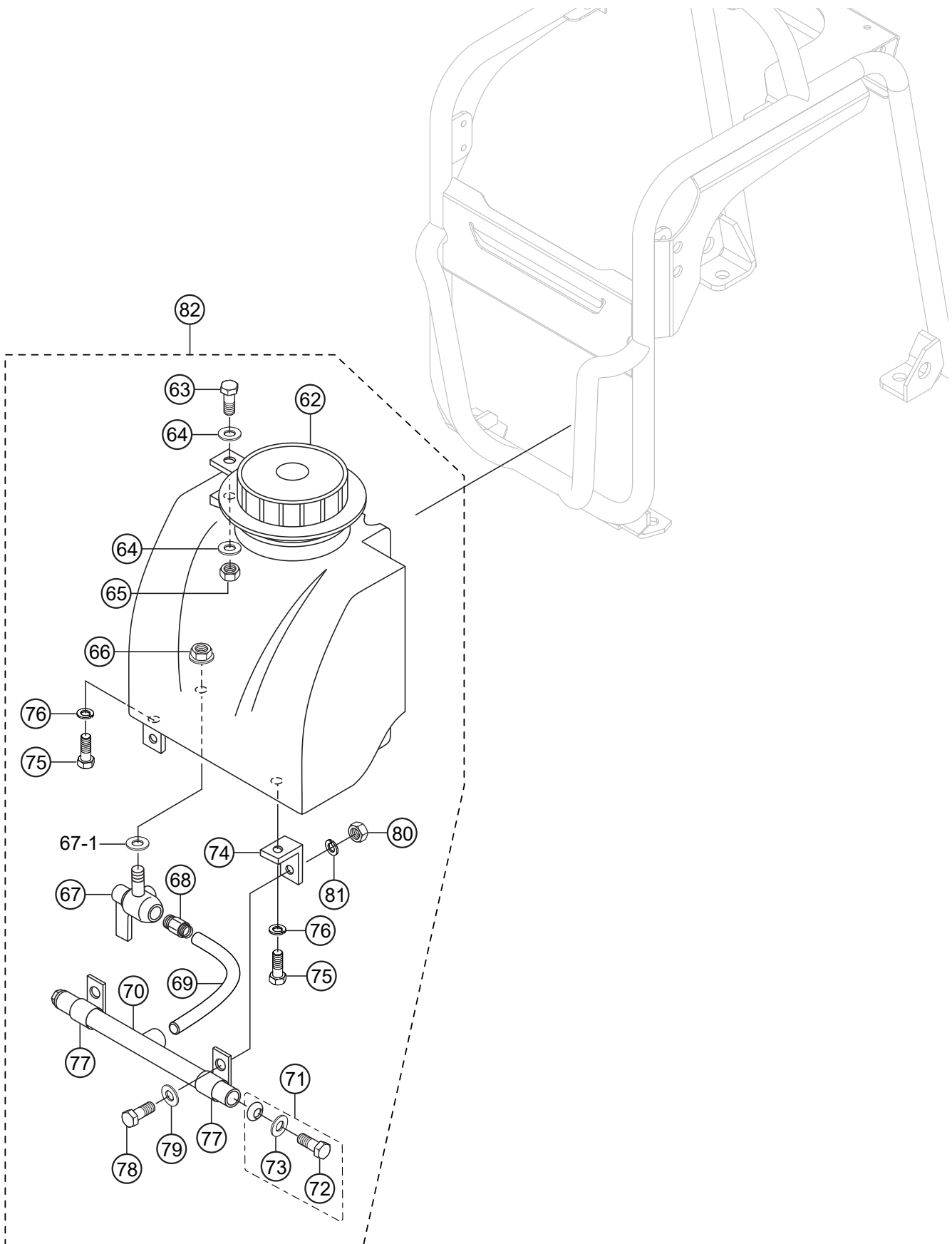
BATTERY CHARGER ASSY.



BATTERY CHARGER ASSY.

<u>NO.</u>	<u>PART NO.</u>	<u>PART NAME</u>	<u>QTY.</u>	<u>REMARKS</u>
1	MCB0190	BATTERY CHARGER	1	

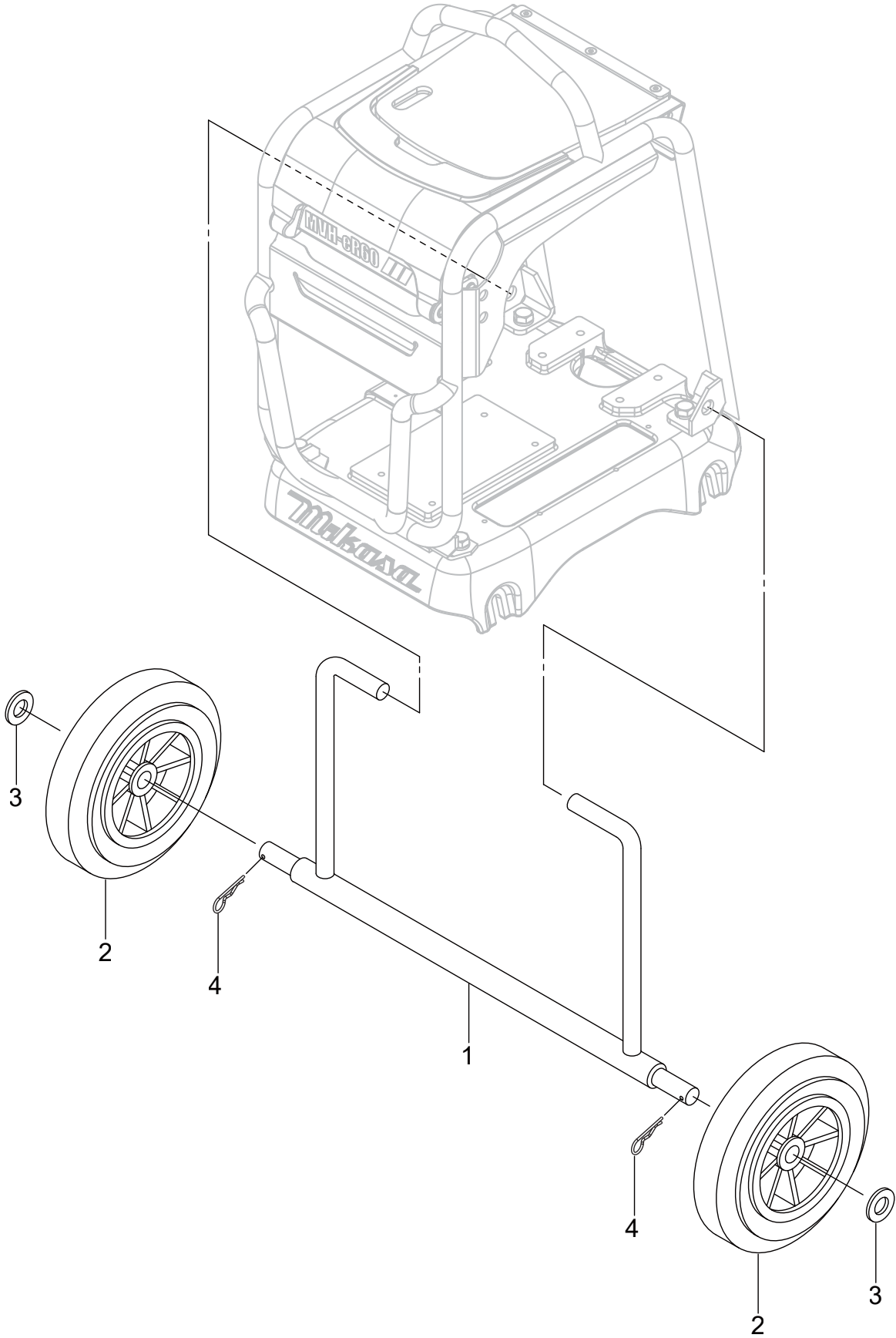
WATER TANK ASSY. (OPTION)



WATER TANK ASSY. (OPTION)

<u>NO.</u>	<u>PART NO.</u>	<u>PART NAME</u>	<u>QTY.</u>	<u>REMARKS</u>
62#	954300343	CAP, WATER TANK	1	
63#	001241030	BOLT, 10X30	1	
64#	033910160	WASHER, FLAT M10	2	
65#	022910270	NUT, M10	1	
66#	022610808	FLANGE NUT, M8	1	
67#	954407090	WATER VALVE, ANGLE TYPE M8	1	
67-1#	953407410	PACKING, 8X15X2	1	
68#	954405680	CONNECTOR, 1/4X10	1	
69#	463456580	WATER HOSE	1	
70#	463910050	SPRINKLING PIPE ASSEMBLY	1	
71#	515910050	CAP ASSEMBLY, WITH BOLT/WASHER	2	INCLUDES ITEMS W/\$
72\$#	011206020	BOLT, 6X20.....	2.....	REPLACES P/N 001220620
73\$#	952404470	WASHER, FLAT M6.....	2.....	REPLACES P/N 031106100
74#	463456570	STAY, L TYPE	2	
75#	011008015	BOLT, 8X15.....	2.....	REPLACES P/N 001220815
76#	030208200	WASHER, LOCK M8	2	
77#	954404230	CLAMP	2	
78#	0105050616	BOLT, 6X15.....	2.....	REPLACES P/N 001220615
79#	952404470	WASHER, FLAT M6.....	2.....	REPLACES P/N 031106100
80#	020106050	NUT, M6.....	2.....	REPLACES P/N 020306050
81#	030206150	WASHER, LOCK M6	2	
82	WTANKR60	WATER TANK KIT.....	1.....	INCLUDES ITEMS W/# CONTACT UNIT SALES DEPT.

TRANSPORT WHEEL ASSY. (OPTION)



TRANSPORT WHEEL ASSY. (OPTION)

<u>NO.</u>	<u>PART NO.</u>	<u>PART NAME</u>	<u>QTY.</u>	<u>REMARKS</u>
1	463342172	AXLE	1	
2	959404311	WHEEL, 150X42	2	
3	0401450200	WASHER, FLAT M20.....	2.....	REPLACES P/N 031120320
4	025203030	COTTER PIN, SPLIT 3X30	2	

PARTS MANUAL

HERE'S HOW TO GET HELP

PLEASE HAVE THE MODEL AND SERIAL
NUMBER ON-HAND WHEN CALLING

UNITED STATES

Multiquip Inc.

(310) 537- 3700
6141 Katella Avenue Suite 200
Cypress, CA 90630
E-MAIL: mq@multiquip.com
WEBSITE: www.multiquip.com

CANADA

Multiquip

(450) 625-2244
4110 Industriel Boul.
Laval, Quebec, Canada H7L 6V3
E-MAIL: infocanada@multiquip.com

UNITED KINGDOM

Multiquip (UK) Limited Head Office

0161 339 2223
Unit 2, Northpoint Industrial Estate,
Globe Lane,
Dukinfield, Cheshire SK16 4UJ
E-MAIL: sales@multiquip.co.uk

© COPYRIGHT 2026, MULTIQUIP INC.

Multiquip Inc. and the MQ logo are registered trademarks of Multiquip Inc. and may not be used, reproduced, or altered without written permission. All other trademarks are the property of their respective owners and used with permission.

This manual MUST accompany the equipment at all times. This manual is considered a permanent part of the equipment and should remain with the unit if resold.

DISCLAIMER: Product features, descriptions, and specifications are based on published information at the time of publication and are subject to change at any time without notice. Multiquip Inc. and its affiliates reserve the right to change specifications, features, design, and descriptions of products at any time without notice.

