

PARTS MANUAL



MODEL NGA100SSPUL PORTABLE NATURAL GAS GENERATOR (PSI 8.8L NA NATURAL GAS ENGINE)

PARTS LIST NO. M3871300804

Revision #0 (08/28/23)

To find the latest revision of this publication or associated operation manual, visit our website at: www.mqpower.com



THIS MANUAL MUST ACCOMPANY THE EQUIPMENT AT ALL TIMES.

**NGA100SSPUL
Natural Gas Generator**

Explanation Of Code In Remarks Column..... 4
Suggested Spare Parts 5

Component Drawings

Generator Assembly 6-7
Control Panel Assembly 8-9
Control Box Assembly 10-13
Engine And Radiator Assembly 14-17
Output Terminal Assembly 18-19
Battery Assembly 20-21
Muffler Assembly 22-23
Gas Fuel Assembly 24-25
Enclosure 1 Assembly 26-29
Enclosure 2 Assembly 30-31
LPG Assembly 32-33
Rubber Seals Assembly 34-35
Nameplate And Decals Assembly..... 36-39

NOTICE
Specifications and part numbers are subject to change without notice.

EXPLANATION OF CODE IN REMARKS COLUMN

The following section explains the different symbols and remarks used in the Parts section of this manual. Use the help numbers found on the back page of the manual if there are any questions.

NOTICE

The contents and part numbers listed in the parts section are subject to change without notice. Multiquip does not guarantee the availability of the parts listed.

SAMPLE PARTS LIST

NO.	PART NO.	PART NAME
QTY.		REMARKS
1	12345	BOLT1INCLUDES ITEMS W/%
2%		WASHER, 1/4 IN.NOT SOLD SEPARATELY
2%	12347	WASHER, 3/8 IN. ...1MQ-45T ONLY
3	12348	HOSEA/R ...MAKE LOCALLY
4	12349	BEARING1S/N 2345B AND ABOVE

NO. Column

Unique Symbols — All items with same unique symbol (@, #, +, %, or >) in the number column belong to the same assembly or kit, which is indicated by a note in the “Remarks” column.

Duplicate Item Numbers — Duplicate numbers indicate multiple part numbers, which are in effect for the same general item, such as different size saw blade guards in use or a part that has been updated on newer versions of the same machine.

NOTICE

When ordering a part that has more than one item number listed, check the remarks column for help in determining the proper part to order.

PART NO. Column

Numbers Used — Part numbers can be indicated by a number, a blank entry, or TBD.

TBD (To Be Determined) is generally used to show a part that has not been assigned a formal part number at the time of publication.

A blank entry generally indicates that the item is not sold separately or is not sold by Multiquip. Other entries will be clarified in the “Remarks” Column.

QTY. Column

Numbers Used — Item quantity can be indicated by a number, a blank entry, or A/R.

A/R (As Required) is generally used for hoses or other parts that are sold in bulk and cut to length.

A blank entry generally indicates that the item is not sold separately. Other entries will be clarified in the “Remarks” Column.

REMARKS Column

Some of the most common notes found in the “Remarks” Column are listed below. Other additional notes needed to describe the item can also be shown.

Assembly/Kit — All items on the parts list with the same unique symbol will be included when this item is purchased.

Indicated by:

“INCLUDES ITEMS W/(unique symbol)”

Serial Number Break — Used to list an effective serial number range where a particular part is used.

Indicated by:

“S/N XXXXX AND BELOW”

“S/N XXXX AND ABOVE”

“S/N XXXX TO S/N XXX”

Specific Model Number Use — Indicates that the part is used only with the specific model number or model number variant listed. It can also be used to show a part is NOT used on a specific model or model number variant.

Indicated by:

“XXXXX ONLY”

“NOT USED ON XXXX”

“Make/Obtain Locally” — Indicates that the part can be purchased at any hardware shop or made out of available items. Examples include battery cables, shims, and certain washers and nuts.

“Not Sold Separately” — Indicates that an item cannot be purchased as a separate item and is either part of an assembly/kit that can be purchased, or is not available for sale through Multiquip.

SUGGESTED SPARE PARTS

NGA100SSPUL NATURAL GAS GENERATOR WITH NATURAL GAS ENGINE

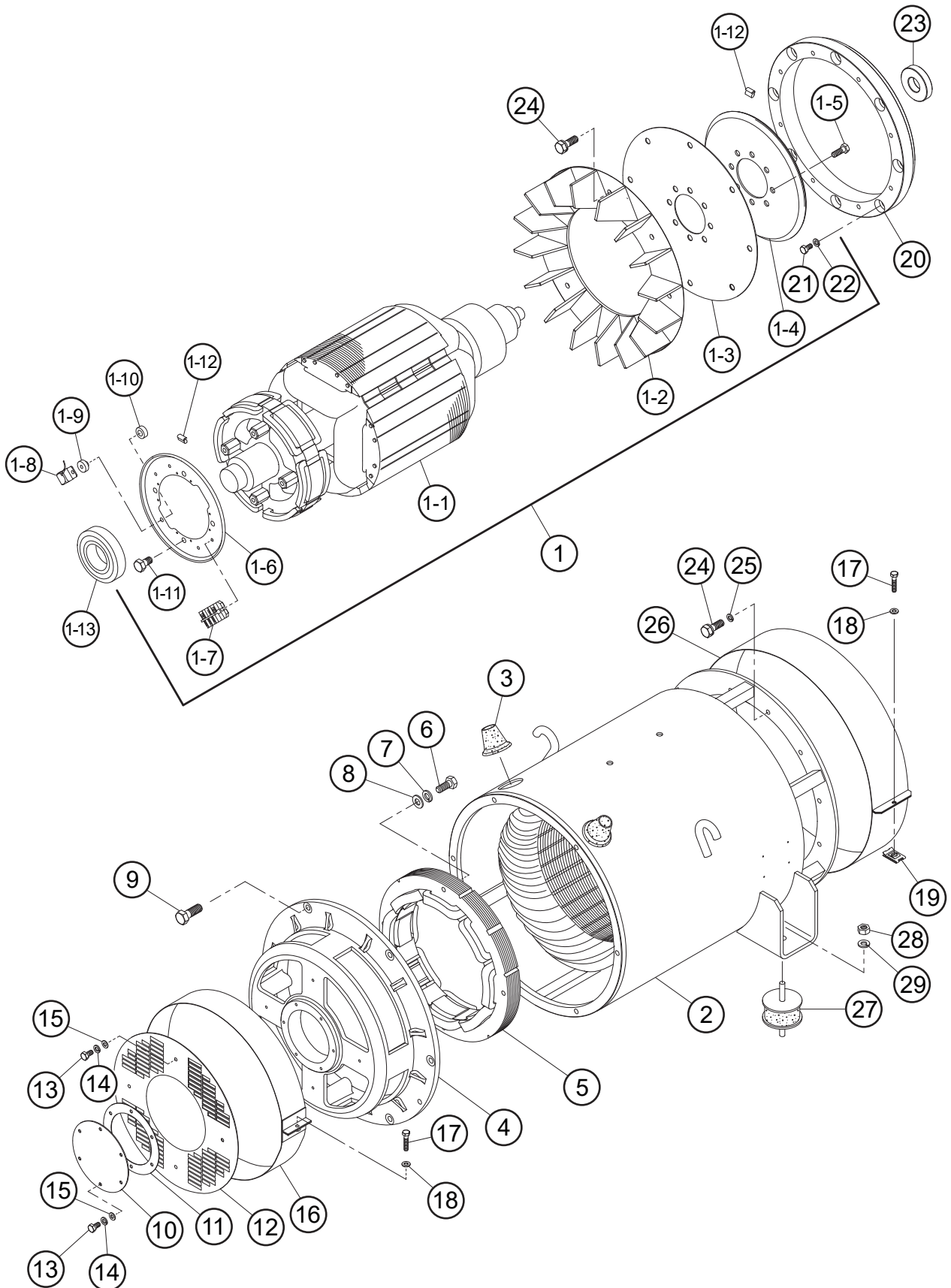
1 to 3 units

Qty.	P/N	Description
6.....	Y0603310172	OIL FILTER
3.....	.0602046684.....	ELEMENT, PRIMARY
3.....	P777639	ELEMENT, SAFETY
3.....	Y0602060200	FAN BELT
3.....	.0601802133.....	FUSE, 5A
3.....	.0601802149.....	FUSE, 10A
1.....	.0601806683.....	FUSE, 250V 8A
2.....	.0601808803.....	CIRCUIT BREAKER, 1P 20A
2.....	.0601808804.....	CIRCUIT BREAKER, 2P 50A
1.....	Y0603200390	GAS FILTER SEPARATOR ASSY.

NOTICE

Part numbers on this Suggested Spare Parts list may supersede/replace the part numbers shown in the following parts lists.

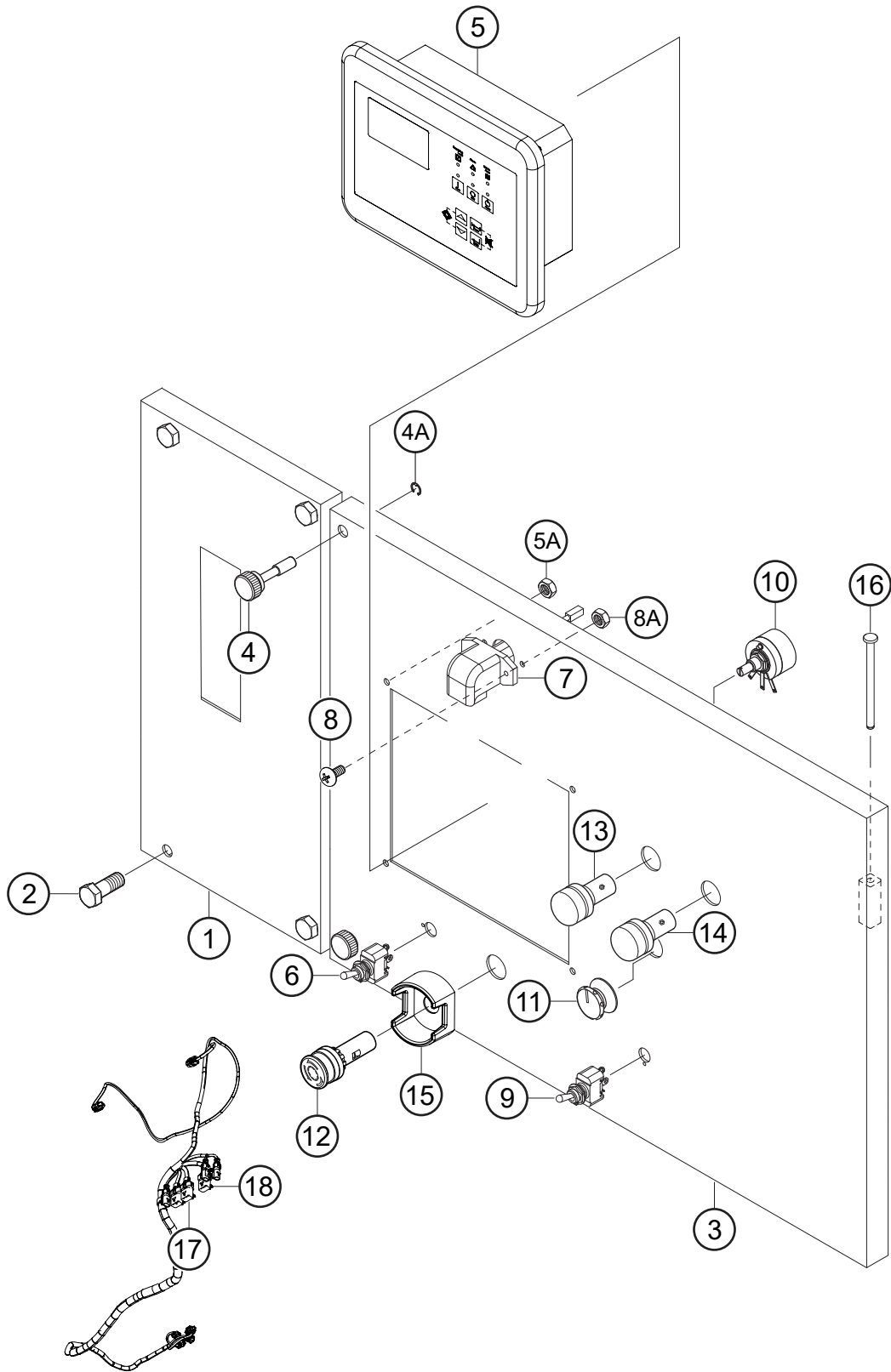
GENERATOR ASSY.



GENERATOR ASSY.

<u>NO.</u>	<u>PART NO.</u>	<u>PART NAME</u>	<u>QTY.</u>	<u>REMARKS</u>
1	C0110101702	ROTOR ASSY.....	1.....	INCLUDES ITEMS W/\$
1-1\$		FIELD ASSY.	1	
1-2\$	8101070033	FAN	1	
1-3\$	8101611004	COUPLING DISK	5	
1-4\$	8101015003	BALANCING PLATE	1.....	PURCHASE ITEM 1-12 AT THE SAME TIME.
1-5\$	012010030	HEX. HEAD BOLT.....	12.....	REPLACES P/N 0012810030
1-6\$	8101026013	SET PLATE, RECTIFIER.....	1.....	PURCHASE ITEM 1-12 AT THE SAME TIME.
1-7\$	0601821349	RECTIFIER	2	
1-8\$	Y0601822624	SURGE ABSORBER	1	
1-9\$	8001020004	INSULATOR WASHER	1	
1-10\$	8001020504	INSULATOR WASHER	1	
1-11\$	Y0017210020	HEX. HEAD BOLT	4	
1-12\$	0601000209	BALANCING WEIGHT KIT	1	
1-13\$	0071906311	BEARING	1	
2	C0130200003	STATOR ASSY.	1	
3	0845041804	GROMMET	2	
4	8101315202	END BRACKET	1	
5	8101350013	FIELD ASSY., EXCITER	1	
6	0012110070	HEX. HEAD BOLT	4	
7	0042610000	WASHER, LOCK	4	
8	0041610000	WASHER, FLAT	4	
9	012210035	HEX. HEAD BOLT	6.....	REPLACES P/N 0017110035
10	8101310014	COVER, BEARING	1	
11	8131312014	GASKET, BEARING	1	
12	8101331003	COVER, END BRACKET	1	
13	0010106012	HEX. HEAD BOLT	10	
14	0040006000	WASHER, LOCK	10	
15	952404470	WASHER, FLAT	10.....	REPLACES P/N 0041206000
16	8101333003	COVER, END BRACKET	1	
17	0340406040	HEX. HEAD BOLT	2	
18	952404470	WASHER, FLAT	2.....	REPLACES P/N 0041206000
19	020106050	NUT.....	1.....	REPLACES P/N 0600815000
20	8101614003A	COUPLING RING	1.....	REPLACES P/N M2163400003
21\$	0343204170	HEX. HEAD BOLT	8	
22\$	0166 A	WASHER, LOCK.....	8.....	REPLACES P/N 0043604000
23	M3164700104	SPACER	1	
24\$	Y0343204120	HEX. HEAD BOLT	12	
25	0166 A	WASHER, LOCK	12.....	REPLACES P/N 0043604000
26	8111332014	COVER, FAN	1	
27	Y0605000404	RUBBER SUSPENSION	2	
28	0030016000	HEX. NUT	4	
29	0040016000	WASHER, LOCK	4	

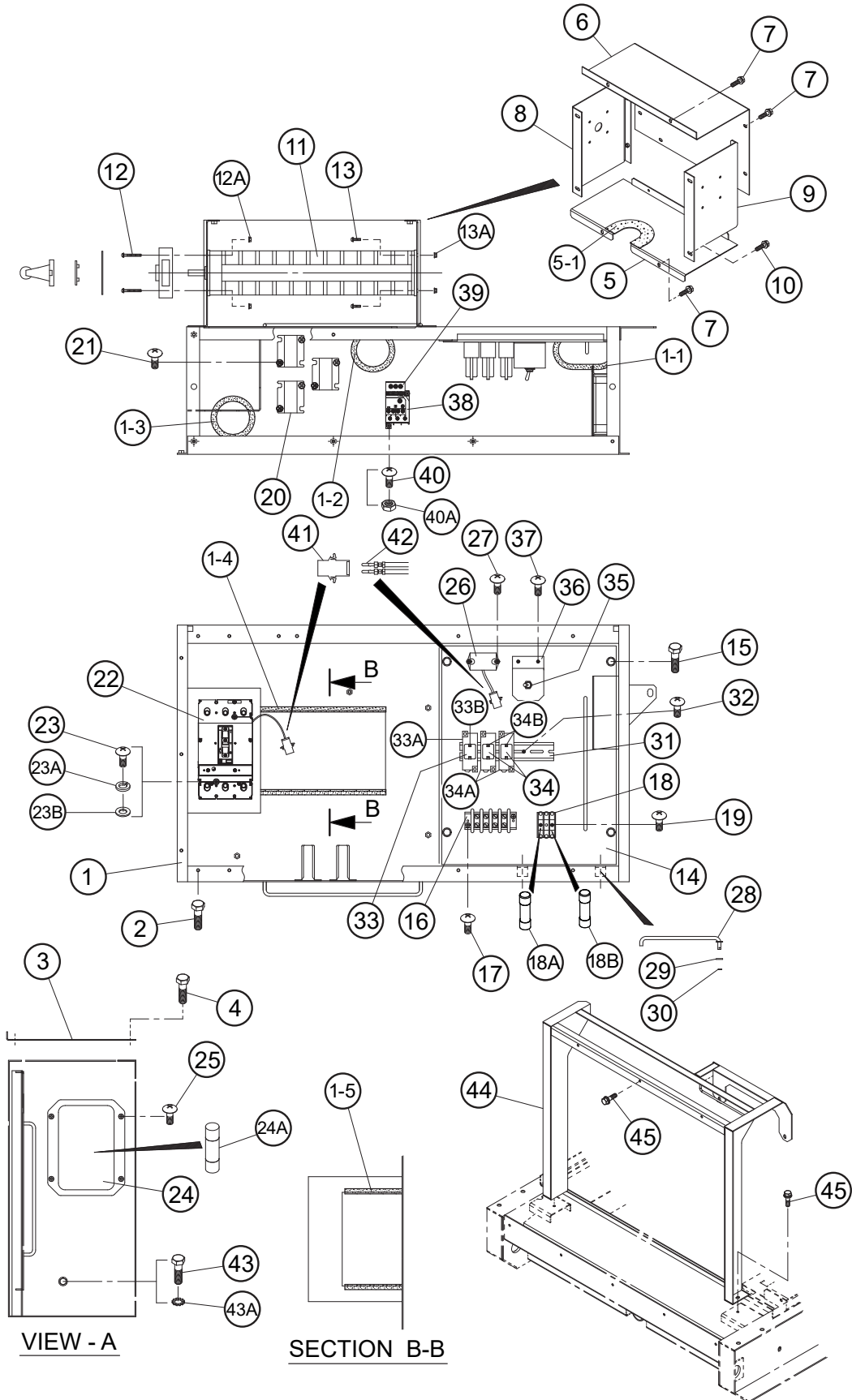
CONTROL PANEL ASSY.



CONTROL PANEL ASSY.

<u>NO.</u>	<u>PART NO.</u>	<u>PART NAME</u>	<u>QTY.</u>	<u>REMARKS</u>
1	M3224000904	CONTROL PANEL LEFT	1	
2	0016908040	HEX. HEAD BOLT	4	
3	M3224001003	CONTROL PANEL RIGHT	1	
4	M9220100004	SET SCREW	2	
4A	0080200007	SNAP RING	2	
5	Y0602120634	CONTROLLER, DGC-2020ES	1	INCLUDES ITEMS W/#
5A#		HEX. NUT, #10-24UNC	4	
6	0601830710	CONTROL POWER, SWITCH	1	
7	Y0601810170	PANEL LIGHT, 12V	1	
8	0027104020	MACHINE SCREW	2	
8A	OEMAA8	HEX. NUT	2	REPLACES P/N 0207004000
9	0601830710	PANEL LIGHT, SWITCH	1	
10	0601840073	VOLTAGE REGULATOR, 2W 1K	1	
11	Y0601840121	KNOB, 25N	1	
12	Y0601832428	EMERGENCY STOP BUTTON	1	
13	Y0601814449	LPG LAMP, BLUE 24V	1	
14	Y0601814448	NG LAMP, GREEN	1	
15	Y0601832079	COVER, EMERGENCY STOP BUTTON	1	
16	0605011211	PIN	2	
17	M3247703304	WIRE HARNESS, GENERATOR	1	
18	M3358201712	WIRE HARNESS, ENGINE	1	

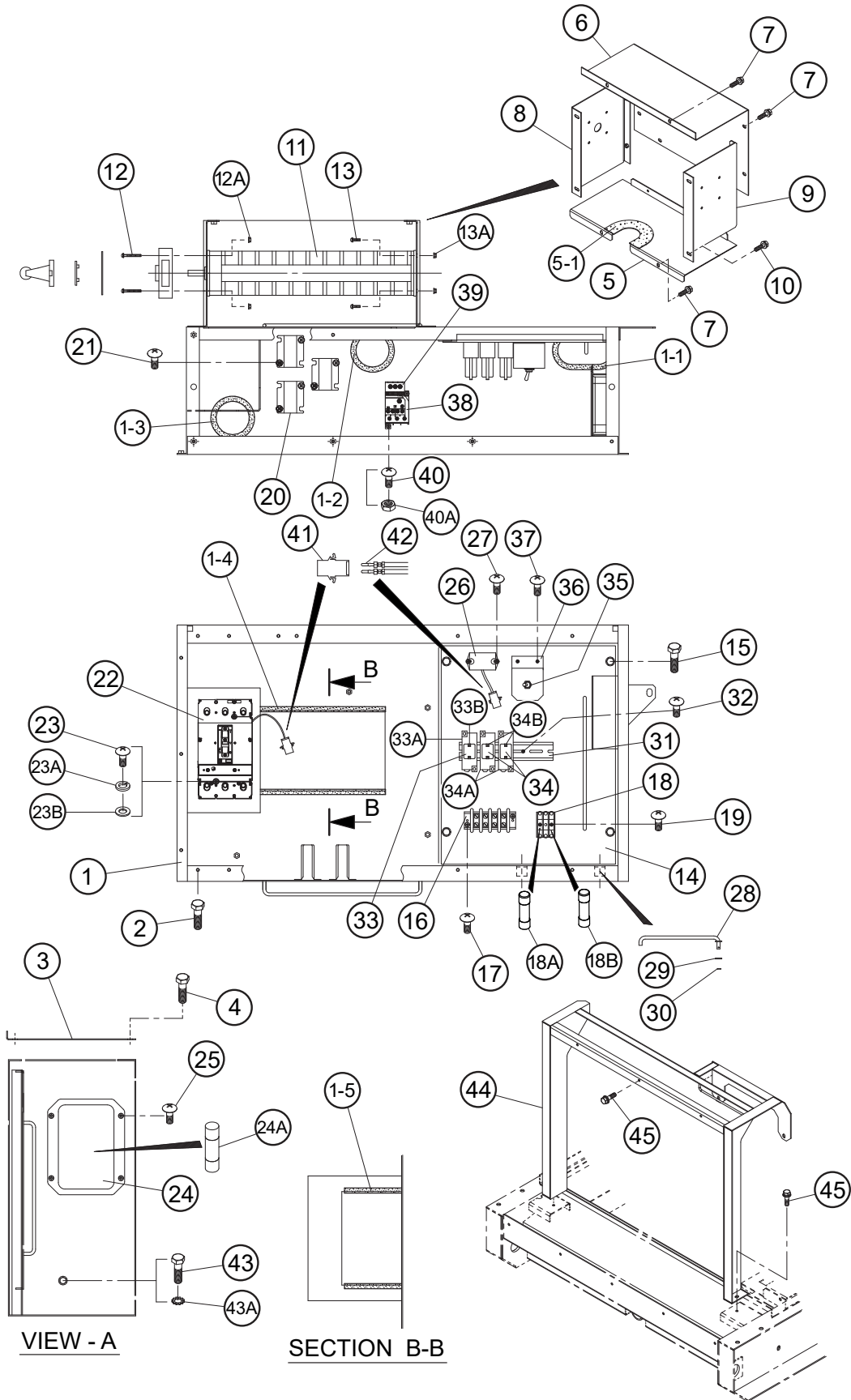
CONTROL BOX ASSY.



CONTROL BOX ASSY.

<u>NO.</u>	<u>PART NO.</u>	<u>PART NAME</u>	<u>QTY.</u>	<u>REMARKS</u>
1	M3214001002	CONTROL BOX	1	
1-1	Y0411100300	EDGE, TRIM	1	
1-2	Y0411100260	EDGE, TRIM	1	
1-3	Y0411100230	EDGE, TRIM	1	
1-4	Y0411100340	EDGE, TRIM	2	
1-5	Y0411100110	EDGE TRIM	2	
2	011008020	HEX. HEAD BOLT.....	13	REPLACES P/N 0016908020
3	M3213500904	CONTROL BOX COVER	1	
4	011008020	HEX. HEAD BOLT.....	8	REPLACES P/N 0016908020
5	M3213602604	SWITCH, COVER	1	
5-1	0317700180	WEATHER STRIP	1	
6	M3213602504	SWITCH, COVER	1	
7	0016906015	HEX. HEAD BOLT	10	
8	M3213603704	SWITCH, BRACKET	1	
9	M3213602804	SWITCH, BRACKET	1	
10	0016906015	HEX. HEAD BOLT	4	
11	M3270100504	SELECTOR, SWITCH	1	
12	0021004035	MACHINE SCREW	4	
12A	OEMAA8	HEX. NUT	4	REPLACES P/N 0207004000
13	0027104015	MACHINE SCREW	4	
13A	OEMAA8	HEX NUT	4	REPLACES P/N 0207004000
14	M3260500904	SET PANEL	1	
15	011008020	HEX. HEAD BOLT.....	4	REPLACES P/N 0016908020
16	Y0601816538	TERMINAL BLOCK.....	1	REPLACES P/N 0601815153
17	0027104020	MACHINE SCREW	2	
18	0601802218	HOLDER, FUSE 3P	1	
18A	0601802149	FUSE, 10A	1	
18B	0601802133	FUSE, 5A	1	
19	0027103020	MACHINE SCREW	2	
20	Y0601809694	CURRENT TRANSFORMER	3	
21	011808015	MACHINE SCREW	6	REPLACES P/N 0027106015
22	Y0601808836	CIRCUIT BREAKER	1	
23	0021004070	MACHINE SCREW	2	
23A	0040004000	WASHER, LOCK	2	
23B	58042	WASHER, FLAT	2	REPLACES P/N 0041204000
24	0601820608	AUTOMATIC VOLTAGE REGULATOR	1	
24A	0601806683	FUSE, 250V 8A	1	
25	0027105015	MACHINE SCREW	4	
26	0601823863	RELAY UNIT, 12V	1	
27	0027104015	MACHINE SCREW	2	
28	M4213600104	STOPPER, CONTROL PANEL	1	
29	952404470	FLAT WASHER.....	1	REPLACES P/N 0041206000
30	505015300	SNAP PIN	1	REPLACES P/N 0605010502
31	Y0290000180	MOUNTING RAIL	1	
32	0027104015	MACHINE SCREW	2	

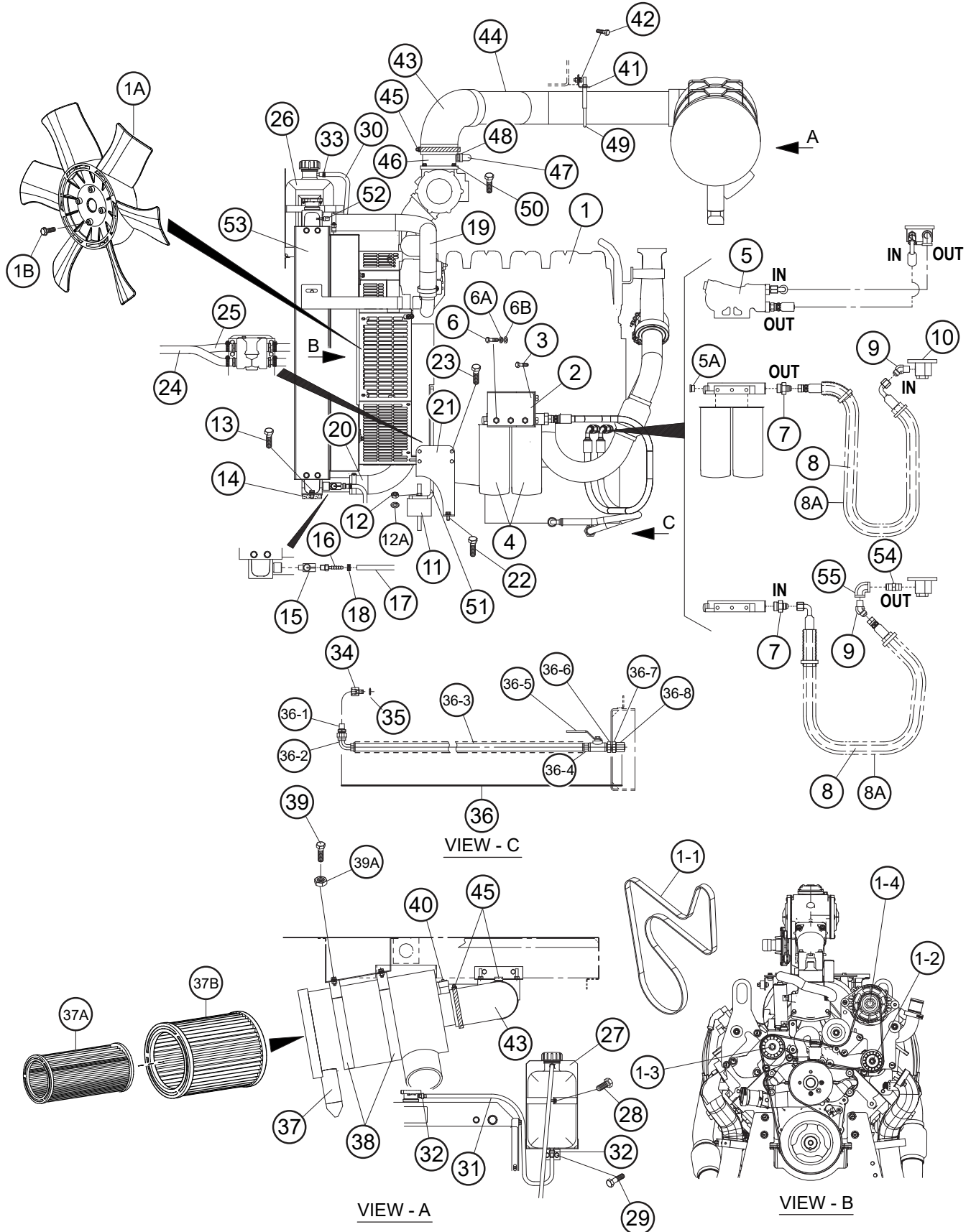
CONTROL BOX ASSY. (CONT'D.)



CONTROL BOX ASSY. (CONT'D.)

<u>NO.</u>	<u>PART NO.</u>	<u>PART NAME</u>	<u>QTY.</u>	<u>REMARKS</u>
33	LY2DUS12VDC	RELAY, W/DIODE	1.....	REPLACES P/N 0601827656
33A	PTF08A	RELAY, BASE	1.....	REPLACES P/N 0601823109
33B	PYCA1	RELAY, CLIP	2.....	REPLACES P/N 0601824400
34	0601824518	RELAY, MY-2D DC12V	2	
34A	0601823143	RELAY BASE, PYF08A-E	2	
34B	PYCA1	RELAY CLIP, PYC-A1	4.....	REPLACES P/N 0601824400
35	0601830765	TOGGLE SWITCH	1	
36	M3261600404	BRACKET, FUEL SELECT SWITCH	1	
37	0027104015	MACHINE SCREW	2	
38	Y0601820839	OVER CURRENT RELAY	1	
39	Y0601820844	OVER CURRENT RELAY BASE	1	
40	0027104020	MACHINE SCREW	2	
40A	OEMAA8	HEX NUT	2.....	REPLACES P/N 0207004000
41	0601812626	PLUG	2	
42	0601812711	PINS (MALE)	4	
43	011008020	HEX. HEAD BOLT.....	1.....	REPLACES P/N 0016908020
43A	0040508000	TOOTHED WASHER	1	
44	M3484000003	SUPPORT LEG	1	
45	011008020	HEX. HEAD BOLT.....	5.....	REPLACES P/N 0016908020

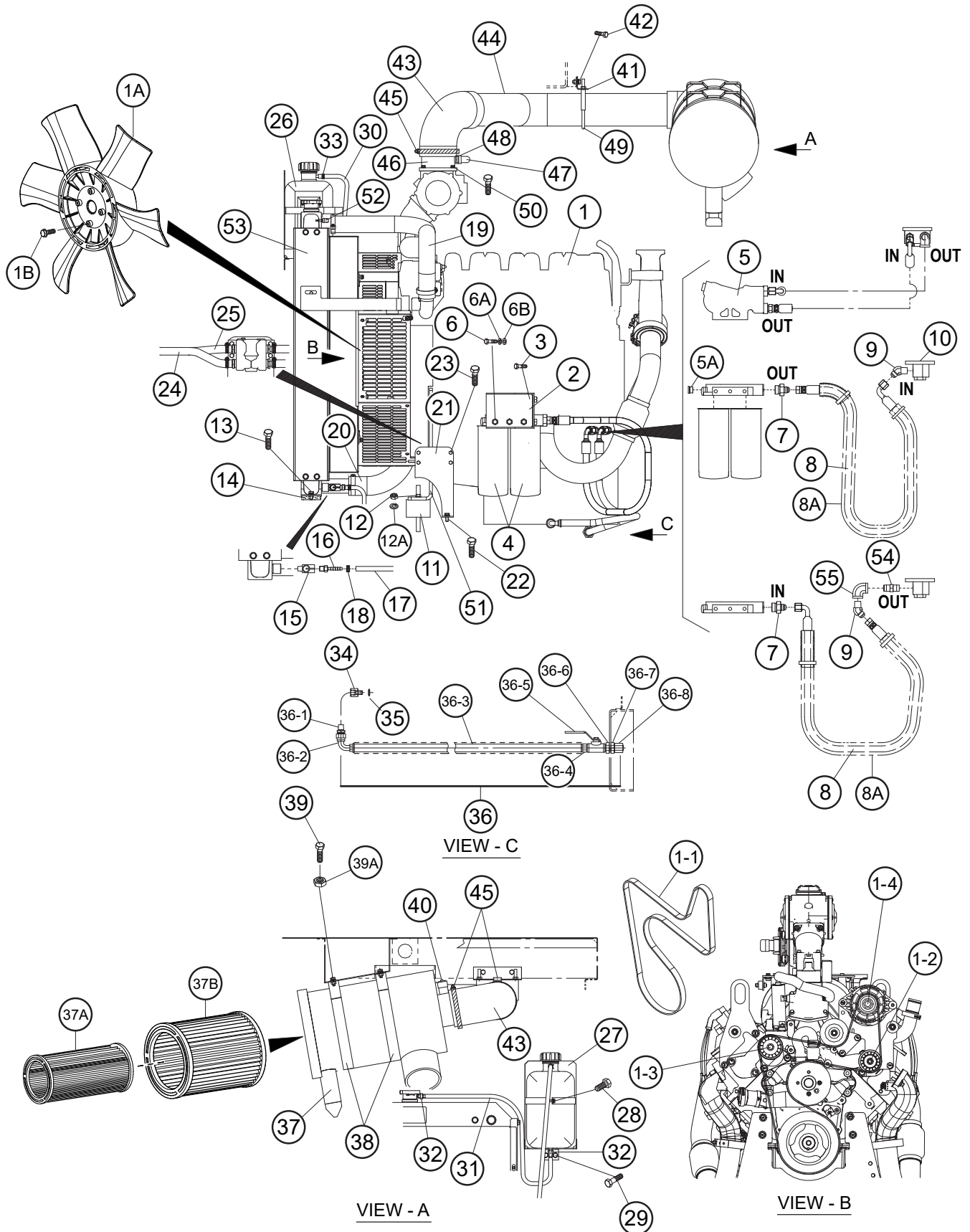
ENGINE AND RADIATOR ASSY.



ENGINE AND RADIATOR ASSY.

<u>NO.</u>	<u>PART NO.</u>	<u>PART NAME</u>	<u>QTY.</u>	<u>REMARKS</u>
1	M3924200164	ENGINE, PSI 8.8 L NA.....	1.....	INCLUDES ITEMS W/#
1A#	Y0602060040	ENGINE FAN	1	
1B#	Y0602060510	HEX HEAD FLANGE BOLT	4	
1-1	Y0602060200	FAN BELT	1	
1-2	Y0602060100	METAL PULLEY 1	1	
1-3	Y0602060101	METAL PULLEY 2	1	
1-4	Y0602060102	METAL PULLEY 3	1	
2	M3324400204	OIL FILTER BRACKET	1	
3	0016910035	HEX. HEAD BOLT	2	
4	Y0603310172	OIL FILTER	2	
5	Y0602023320	OIL FILTER BRACKET	1	
5A	Y0603306707	PLUG	1	
6	0343204080	HEX HEAD BOLT	3	
6A	0166 A	WASHER, LOCK.....	3.....	REPLACES P/N 0043604000
6B	0041610000	WASHER, FLAT.....	3.....	REPLACES P/N Y0041210000
7	Y0603308212	STRAIGHT THREAD CONNECTOR	2	
8	M3324300004	OIL FILTER HOSE	2	
8A	Y0602311173	HEAT SHIELD SLEEVE	2	
9	Y0603306163	45 DEGREE ELBOW MALE	2	
10	Y0603316060	OIL FILTER ADAPTER	1	
11	0605000402	RUBBER SUSPENSION	2	
12	0030012000	HEX. NUT	2	
12A	0040012000	WASHER, LOCK	2	
13	011208030	HEX HEAD BOLT.....	2.....	REPLACES P/N 0016908030
14	M311600504	RUBBER SHEET	1	
15	Y0605511394	BALL VALVE	1	
16	Y0605512192	HOSE JOINT	1	
17	0193600300	DRAIN HOSE	1	
18	0605515189	HOSE BAND	2	
19	M3311501303	RADIATOR HOSE	1	
20	M3311501403	RADIATOR HOSE	1	
21	M3314300304	OIL COOLER THERMO BRACKET	1	
22	011008020	HEX. HEAD BOLT.....	2.....	REPLACES P/N 0016908020
23	011208025	HEX. HEAD BOLT.....	4.....	REPLACES P/N 0016908025
24	Y0379000700	PUSH-LOK HOSE	1	
25	Y0379000360	PUSH-LOK HOSE	1	
26	0802081003C	RESERVE TANK, 5.0 L.....	1.....	REPLACES P/N M9300000203
27	M3317100103	RESERVE TANK BRACKET	1	
28	011606025	HEX. HEAD BOLT.....	1.....	REPLACES P/N 0016906025
29	011008020	HEX. HEAD BOLT.....	3.....	REPLACES P/N 0016908020
30	0193601200	OVER FLOW HOSE	1	
31	0199900720	OVER FLOW HOSE	1	
32	0605515189	HOSE BAND	2	
33	0605515109	HOSE CLIP	1	
34	M9201100004	ADAPTER	1	
35	0602021196	GASKET.....	1.....	REPLACES P/N 0602021191

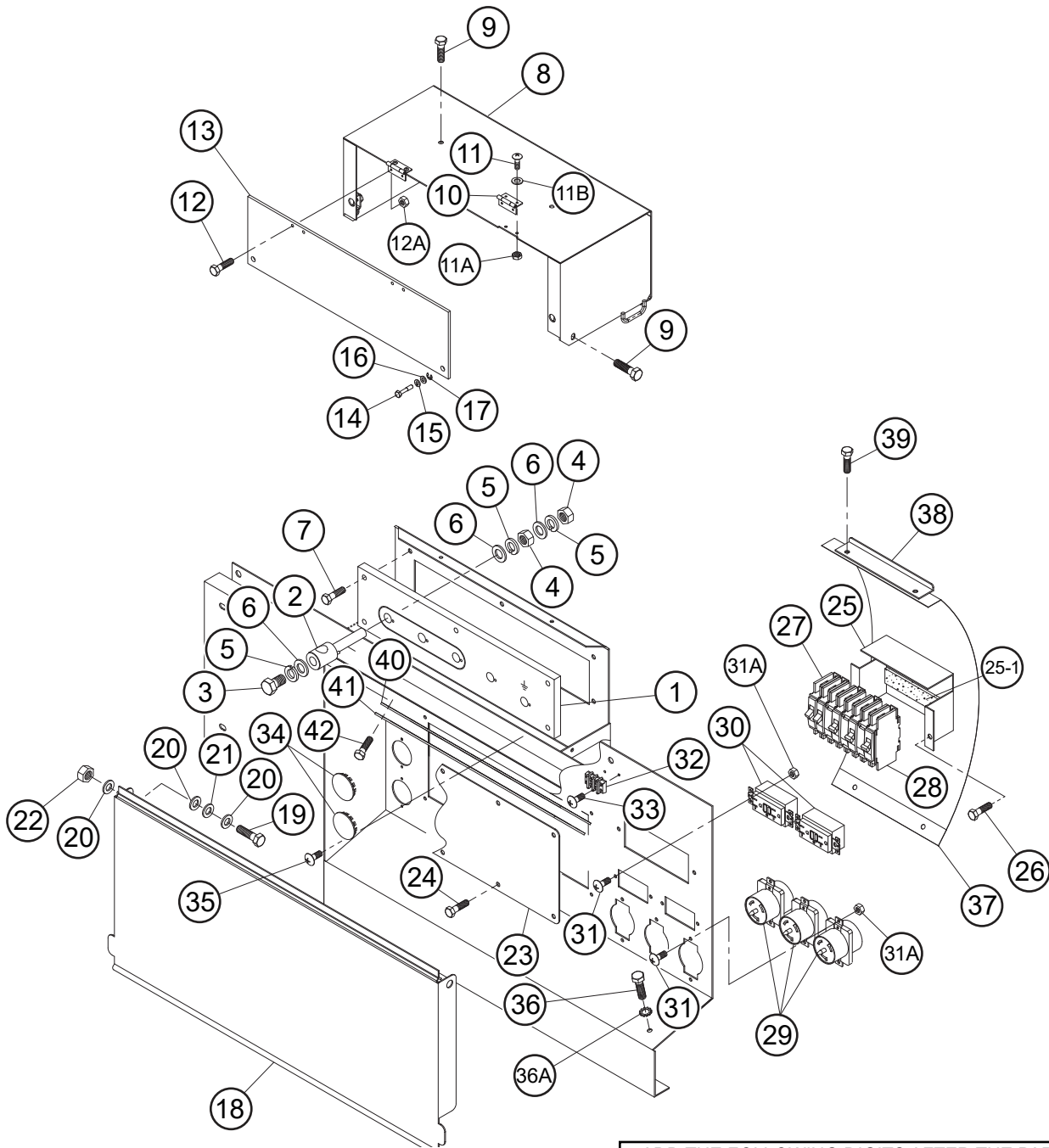
ENGINE AND RADIATOR ASSY. (CONT'D.)



ENGINE AND RADIATOR ASSY. (CONT'D.)

<u>NO.</u>	<u>PART NO.</u>	<u>PART NAME</u>	<u>QTY.</u>	<u>REMARKS</u>
36	M3321000404	OIL DRAIN ASSY.....	1.....	INCLUDES ITEMS W/\$
36-1\$	Y0603308213	MALE CONNECTOR	1	
36-2\$	0602022561	90° ELBOW	1	
36-3\$	Y0269201000	PUSH-LOK HOSE	1	
36-4\$	0603306395	MALE PIPE	1	
36-5\$	0605511395	BALL VALVE	1	
36-6\$	0603306590	MALE BULKHEAD CONNECTOR	1	
36-7\$	0603300285	BULKHEAD LOCKNUT	1	
36-8\$	Y0602021070	CAP	1	
37	0602046258	AIR CLEANER.....	1.....	INCLUDES ITEMS W/%
37A%	P777639	ELEMENT, SAFETY (INNER).....	1.....	REPLACES P/N 0602046685
37B%	0602046684	ELEMENT, PRIMARY	1	
38	P004076	AIR CLEANER BAND.....	2.....	REPLACES P/N 0602040596
39	011208025	HEX. HEAD BOLT.....	4.....	REPLACES P/N 0016908025
39A	Y0207008000	SELF LOCK NUT	4	
40	0602040690	AIR CLEANER INDICATOR	1	
41	M3374200304	AIR CLEANER BRACKET	1	
42	011008020	HEX. HEAD BOLT.....	2.....	REPLACES P/N 0016908020
43	Y0602040392	90° ELBOW	2	
44	M3374000703	AIR CLEANER PIPE	1	
45	0605515197	HOSE BAND	4	
46	Y0602040890	INLET PIPE	1	
47	Y0605000182	INLET PIPE CAP	1	
48	Y0605515340	HOSE BAND	1	
49	0602326062	U BOLT	1	
50	011606025	HEX HEAD BOLT.....	4.....	REPLACES P/N 0016906025
51	M3303201004	ENGINE FOOT	1	
52	Y0602123291	COOLANT LEVEL SWITCH	1	
53	Y0602012970	COOLING KIT	1	
54	Y0603306349	PIPE NIPPLE	1	
55	Y0603306471	PIPE ELBOW	1	

OUTPUT TERMINAL ASSY.



ADD THE FOLLOWING DIGITS AFTER THE PART NUMBER WHEN ORDERING ANY PAINTED PANEL TO INDICATE COLOR OF UNIT:

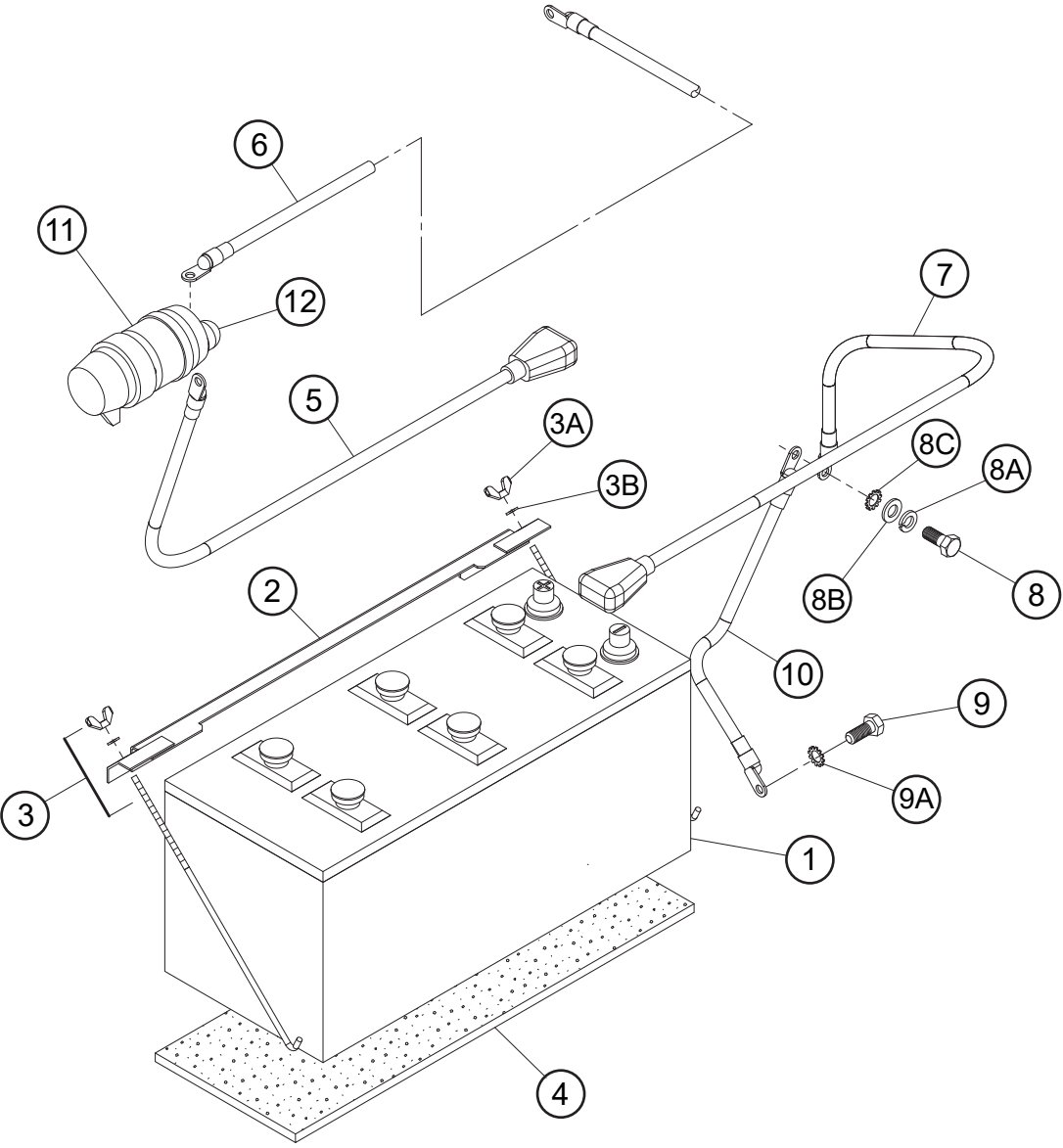
- | | |
|-----------------|----------------------|
| 1-ORANGE | 6-CATERPILLAR YELLOW |
| 2-WHITE | 7-CATO GOLD |
| 3-SPECTRUM GREY | 8-RED |
| 4-SUNBELT GREEN | 9-DESERT TAN |
| 5-BLACK | |

THE SERIAL NUMBER MAY BE REQUIRED.

OUTPUT TERMINAL ASSY.

<u>NO.</u>	<u>PART NO.</u>	<u>PART NAME</u>	<u>QTY.</u>	<u>REMARKS</u>
1	M3230700003	TERMINAL PANEL	1	
2	M9220100304	OUTPUT TERMINAL BOLT	5	
3	0801830804	TIE BOLT	5	REPLACES P/N M9220100404
4	0039316000	HEX. NUT	10	
5	0040016000	WASHER, LOCK	15	
6	0401450160	WASHER, FLAT	20	REPLACES P/N 0041416000
7	0012108035	HEX. HEAD BOLT.....	5	REPLACES P/N 0016908035
8	M3236100703	TERMINAL COVER	1	
9	0016906015	HEX. HEAD BOLT	4	
10	0605010040	HINGE	2	
11	0027103010	MACHINE SCREW	4	
11A	0207003000	HEX. NUT	4	REPLACES P/N 0030003000
11B	0041203000	WASHER, FLAT	4	
12	0027103010	MACHINE SCREW	4	
12A	0207003000	HEX. NUT	4	REPLACES P/N 0030003000
13	M3236100104	OUTPUT WINDOW	1	
14	M9220100804	SET SCREW	2	
15	0040006000	WASHER, LOCK	2	
16	952404470	WASHER, FLAT	2	REPLACES P/N 0041206000
17	0080200005	E-RING	2	
18	M3454400003	TERMINAL COVER	1	
19	Y0013612045	HEX. HEAD BOLT	2	
20	031112230	WASHER, FLAT	6	REPLACES P/N 0041212000
21	0605050060	CONICAL LOCK WASHER	2	
22	0030012000	HEX. NUT	2	
23	M3236400204	COVER	1	
24	0016906015	HEX. HEAD BOLT	8	
25	M1260700304	BRACKET, CIRCUIT BREAKER	1	
25-1	0222100150	RUBBER CUSHION	1	
26	011206020	HEX. HEAD BOLT.....	2	REPLACES P/N 0016906020
27	0601808804	CIRCUIT BREAKER, 2P 50A	3	
28	0601808803	CIRCUIT BREAKER, 1P 20A	2	
29	0601814014	RECEPTACLE, CS6369	3	
30	Y0601814034	RECEPTACLE, 20A.....	2	REPLACES P/N 0601814024
31	0027104015	MACHINE SCREW	10	
31A	OEMAA8	HEX. NUT	10	REPLACES P/N 0207004000
32	Y0601816539	TERMINAL.....	1	REPLACES P/N 0601815194
33	0027104015	MACHINE SCREW	2	
34	0603306775	BLIND PLUG	2	
35	0027104015	MACHINE SCREW	4	
36	0019208020	HEX. HEAD BOLT	1	
36A	0040508000	TOOTHED WASHER	1	
37	M3237100204	INSULATING COVER	1	
38	M4236400304	BRACKET	1	
39	0016906015	HEX. HEAD BOLT	2	
40	M3236400004	COVER, CABLE OUTLET	1	
41	M3236300004	SUPPORTER, CABLE OUTLET COVER	1	
42	011206020	HEX HEAD BOLT.....	6	REPLACES P/N 0016906020

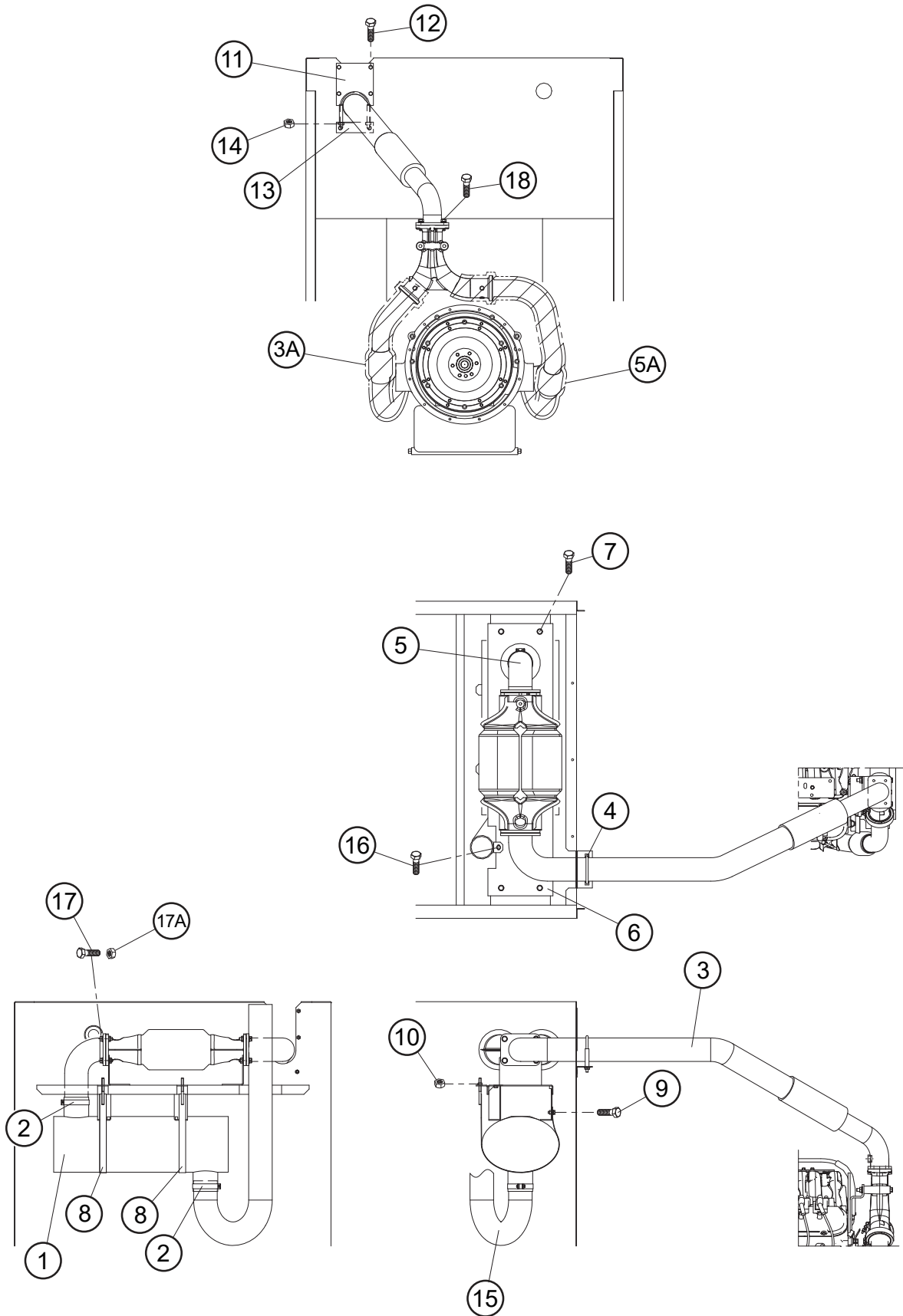
BATTERY ASSY.



BATTERY ASSY.

<u>NO.</u>	<u>PART NO.</u>	<u>PART NAME</u>	<u>QTY.</u>	<u>REMARKS</u>
1	0602220198	BATTERY, 904D, 12V	2	
2	M9103000504	BATTERY BAND	1	
3	0602220921	BATTERY BOLT SET, 1/4-L12"	2	
3A		WING NUT	2	
3B		PLASTIC WASHER	2	
4	M9310500404	BATTERY SHEET	2	NLA
5	M1348400204	BATTERY CABLE	1	
6	M3347900504	BATTERY CABLE, POSITIVE	1	
7	M3347900404	BATTERY CABLE, NEGATIVE	1	
8	0343206120	HEX. HEAD BOLT	1	
8A	0040012000	WASHER, LOCK	1	
8B	031112230	WASHER, FLAT	1	REPLACES P/N 0041212000
8C	0040512000	TOOTHED WASHER	1	
9	011208025	HEX HEAD BOLT	1	REPLACES P/N 0016908025
9A	0040508000	TOOTHED WASHER	1	
10		EARTH CABLE	1	
11	Y0602101070	BATTERY DISCONNECT SWITCH, 12V	1	
12	Y0602220820	COVER, BATTERY SWITCH	2	

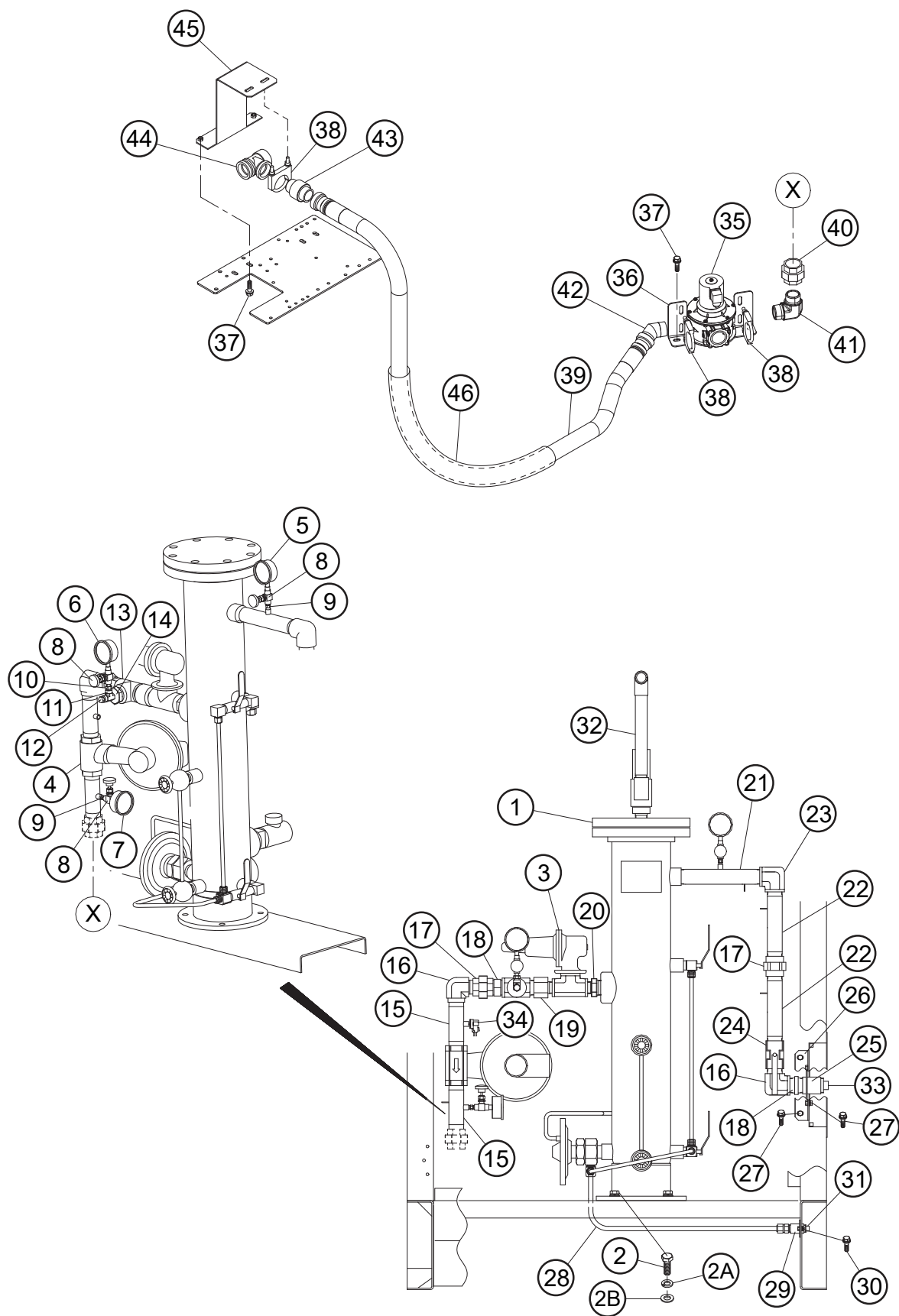
MUFFLER ASSY.



MUFFLER ASSY.

<u>NO.</u>	<u>PART NO.</u>	<u>PART NAME</u>	<u>QTY.</u>	<u>REMARKS</u>
1	Y0602300431	MUFFLER	1	
2	Y0602325024	PIPE BAND	2	
3	M3334001303	EXHAUST PIPE	1	
3A	Y0602311167	HEAT SHIELD	1	
4	0602326061	U-BOLT, 3.5"	2	
5	M3334001404	EXHAUST PIPE	1	
5A	Y0602311168	HEAT SHIELD	1	
6	M3331200403	BRACKET, CATALYST	1	
7	0016910025	HEX. HEAD BOLT	4	
8	M3331403004	MUFFLER BAND	2	
9	011008020	HEX. HEAD BOLT.....	2.....	REPLACES P/N 0016908020
10	Y0207008000	U-NUT	2	
11	M3331402904	COVER, EXHAUST PIPE	1	
12	011008020	HEX. HEAD BOLT.....	4.....	REPLACES P/N 0016908020
13	M3331403104	BRACKET, EXHAUST PIPE	1	
14	011008020	HEX. HEAD BOLT.....	2.....	REPLACES P/N 0016908020
15	M3334100303	TAIL PIPE	1	
16	011008020	HEX HEAD BOLT.....	1.....	REPLACES P/N 0016908020
17	014210040	HEX HEAD BOLT.....	8.....	REPLACES P/N 0017110040
17A	021112140	SELF-LOCKING NUT	8.....	REPLACES P/N 0207010000
18	012010030	HEX. HEAD BOLT.....	4.....	REPLACES P/N 0017110030

GAS FUEL ASSY.



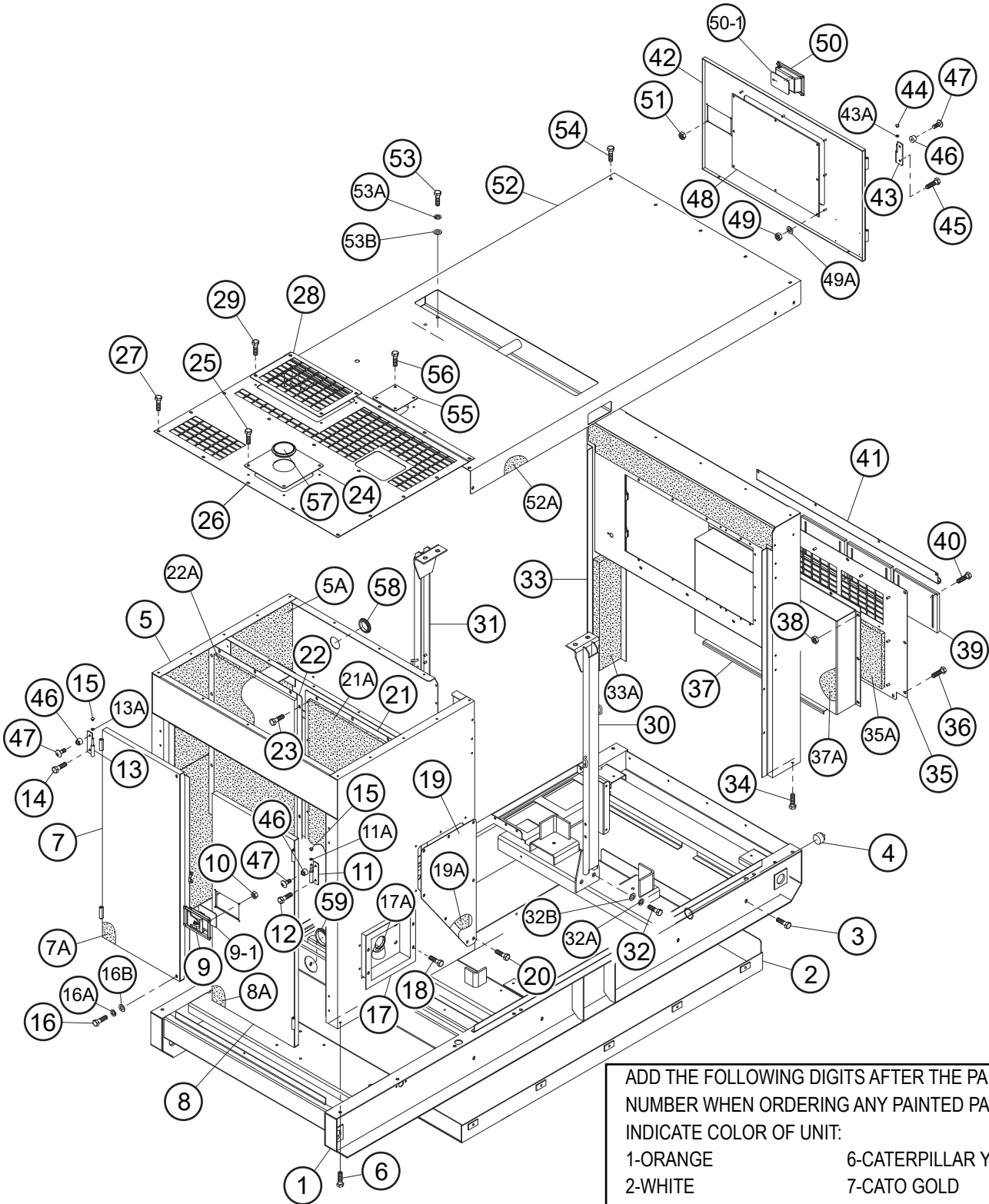
GAS FUEL ASSY.

<u>NO.</u>	<u>PART NO.</u>	<u>PART NAME</u>	<u>QTY.</u>	<u>REMARKS</u>
1	Y0603200390	GAS FILTER SEPARATOR ASSY.	1	
2	Y0013614040	HEX. HEAD BOLT	4	
2A	030214350	WASHER, LOCK.....	4	REPLACES P/N 0040014000
2B	031114260	WASHER, FLAT.....	4	REPLACES P/N 0041214000
3	Y0603400251	REGULATOR	1	
4	Y0603400250	REGULATOR	1	
5	Y0602130181	PRESSURE DIAPHRAGM GAUGE, 300#	1	
6	Y0602130183	PRESSURE DIAPHRAGM GAUGE, 30#	1	
7	Y0602130182	PRESSURE DIAPHRAGM GAUGE	1	
8	Y0603325200	NEEDLE VALVE	3	
9	Y0603306378	NIPPLE	2	
10	Y0603306379	NIPPLE	1	
11	Y0603306687	MALE RUN TEE	1	
12	0603306798	PLUG	1	
13	Y0603307055	MALE RUN TEE	1	
14	Y0603306897	PIPE THREAD REDUCER	1	
15	M3367201604	GAS PIPE	2	
16	Y0603306235	STREET ELBOW	2	
17	Y0603300219	UNION	2	
18	Y0603306381	PIPE NIPPLE	2	
19	Y0603306524	ADAPTER	1	
20	Y0603306979	PIPE NIPPLE	1	
21	M3367201304	GAS PIPE	1	
22	M3367201204	GAS PIPE	2	
23	Y0603306461	FEMALE ELBOW	1	
24	Y0603325039	BRASS BALL VALVE	1	
25	M3424700504	GAS INLET	1	
26	M3424700604	BRACKET, GAS INLET SIDE	2	
27	0019208020	HEX. HEAD BOLT	8	
28	M3374000803	DRAIN TUBE	1	
29	M3327200304	WATER SEPARATOR OUTLET	1	
30	011606025	HEX. HEAD BOLT.....	2	REPLACES P/N 0016906025
31	Y0603306755	PLUG	1	
32	M3367200904	RELIEF PIPE	1	
33	Y0603306756	PLUG	1	
34	Y0602130262	PSI PRESSURE SWITCH	1	
35	Y0603324541	VALVE	1	
36	M3414700104	BRACKET	1	
37	011008020	HEX. HEAD BOLT.....	4	REPLACES P/N 0016908020
38	Y0602326066	U-BOLT	3	
39	M3367000304	GAS HOSE	1	
40	Y0603300219	UNION	1	
41	Y0603306479	MALE ELBOW	1	
42	Y0603306161	45 DEGREE MALE ELBOW	1	
43	Y0603306392	MALE CONNECTOR	1	
44	Y0603306669	FEMALE PIPE TEE	1	
45	M3367700504	FUEL INLET SUPPORTER	1	
46	Y0602311174	HEAT SHIELD SLEEVE	1	

ENCLOSURE 1 ASSY.

<u>NO.</u>	<u>PART NO.</u>	<u>PART NAME</u>	<u>QTY.</u>	<u>REMARKS</u>
1	M3414001202	BASE	1	
2	M3364300803	ENVIRONMENTAL, TANK	1	
3	0016910030	HEX. HEAD BOLT	10	
4	0603306797	SQ. HEAD PIPE PLUG	1	
5	M3424000902	FRONT FRAME	1	
5A	M3494114303	ACOUSTIC SHEET, FRONT FRAME	1	
6	0016910025	HEX. HEAD BOLT	6	
7	M3424600403	PANEL, FRONT FRAME	1	
7A	M3494117004	ACOUSTIC SHEET, FRONT FRAME PANEL	1	
8	M3424600303	DOOR, FRONT FRAME	1	
8A	M3494417304	ACOUSTIC SHEET	1	
9	Y0605012318	DOOR HANDLE, SS	1	
9-1	C9312500004	SEAL, RUBBER	1	
10	0176060030	SELF LOCKING NUT	4	REPLACES P/N 0207006000
11	M9110100304	HINGE, MALE (R)	2	
11A	M9116100004	WASHER	2	
12	0019208020	HEX HEAD BOLT	2	
13	M9110100204	HINGE, MALE (L)	2	
13A	M9116100004	WASHER	2	
14	0019208020	HEX. HEAD BOLT	4	
15	0845031504	CAP, BLIND PLUG.....	4	REPLACES P/N M9310000004
16	0019108055	HEX. HEAD BOLT	2	
16A	0042308000	WASHER, LOCK	2	
16B	0401450080	WASHER, FLAT.....	2	REPLACES P/N 0042408000
17	M3424500104	BRACKET, GAS INLET PIPE	1	
17A	M9311400004	SEAL, RUBBER	1	
18	0019208020	HEX. HEAD BOLT	4	
19	M3424202104	COVER, RAD ACCESS	1	
19A	M3494116504	ACOUSTIC SHEET, RAD. ACCES COVER	1	
20	Y0019208020	HEX HEAD BOLT	1	
21	M3424202204	COVER, FRONT INNER	1	
21A	M3494114404	ACOUSTIC SHEET	1	
22	M3424202304	COVER, FRONT INNER	1	
22A	M3494114404	ACOUSTIC SHEET	1	
23	0019208020	HEX. HEAD BOLT	23	
24	M3424202404	COVER, WATER SEPARATOR CAP	1	
25	0019208020	HEX. HEAD BOLT	4	
26	M3424201903	OVER COVER, FRONT FRAME	1	
27	0019208020	HEX. HEAD BOLT	19	
28	M3424202004	COVER, 0 ² SENSOR ACCESS	1	
29	0019208020	HEX. HEAD BOLT	4	
30	M3434000803	CENTER FRAME	1	
31	M3434000703	CENTER FRAME	1	
32	Y0013620040	HEX HEAD BOLT	4	
32A	030220510	WASHER, LOCK.....	4	REPLACES P/N 0040020000
32B	0041220000	WASHER, FLAT	4	

ENCLOSURE 1 ASSY. (CONT'D.)



ADD THE FOLLOWING DIGITS AFTER THE PART NUMBER WHEN ORDERING ANY PAINTED PANEL TO INDICATE COLOR OF UNIT:

1-ORANGE	6-CATERPILLAR YELLOW
2-WHITE	7-CATO GOLD
3-SPECTRUM GREY	8-RED
4-SUNBELT GREEN	9-DESERT TAN
5-BLACK	

THE SERIAL NUMBER MAY BE REQUIRED.

ENCLOSURE 1 ASSY. (CONT'D.)

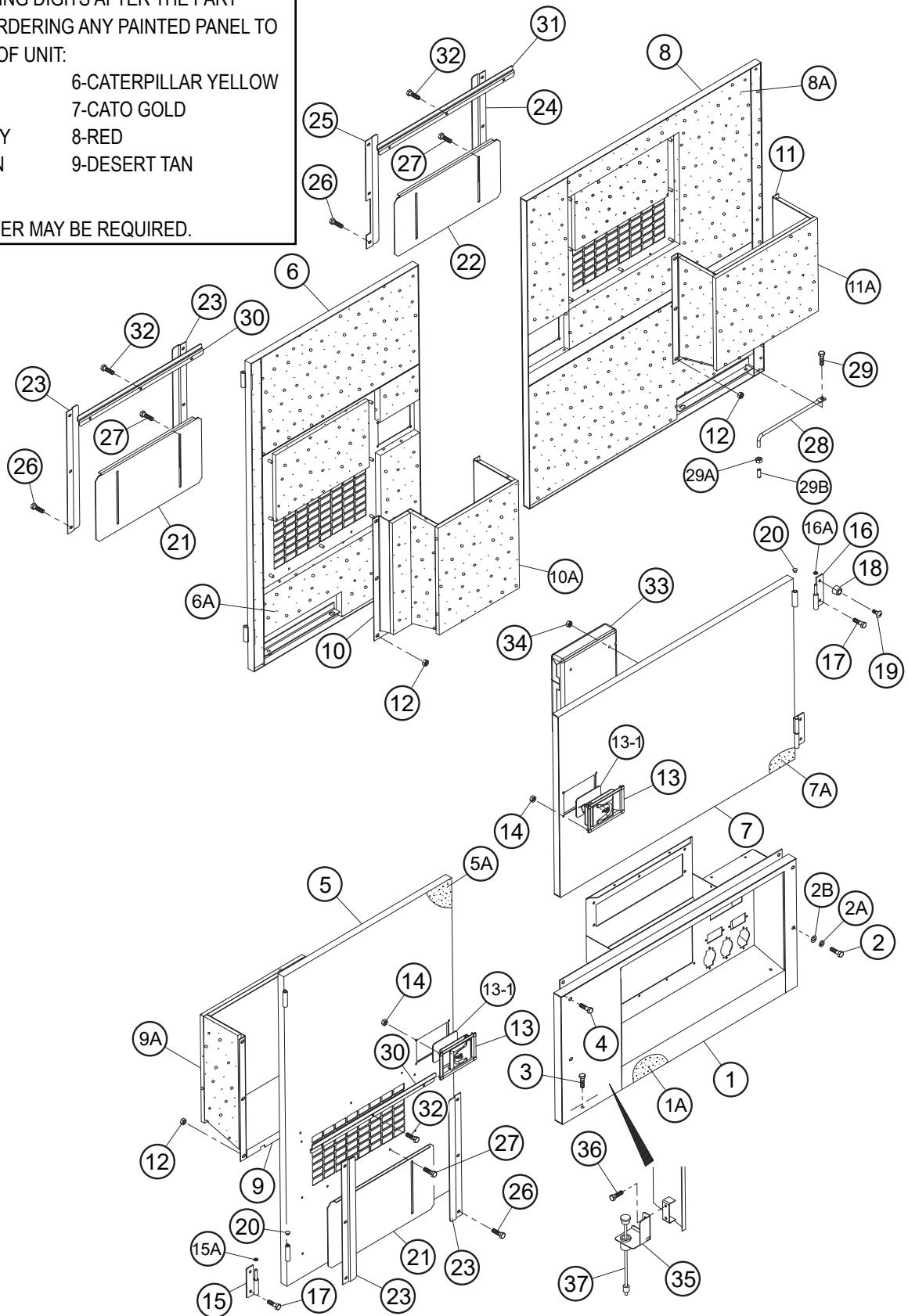
<u>NO.</u>	<u>PART NO.</u>	<u>PART NAME</u>	<u>QTY.</u>	<u>REMARKS</u>
33	M3444000802	REAR FRAME	1	
33A	M3494302604	ACOUSTIC SHEET	1	
34	0016910025	HEX. HEAD BOLT	4	
35	M3444301203	COVER, REAR FRAME	1	
35A	M3494302704	ACOUSTIC SHEET	1	
36	0019208020	HEX. HEAD BOLT	14	
37	M3443302403	DUCT, REAR FRAME COVER	1	
37A	M3494302804	ACOUSTIC SHEET	1	
38	020108060	HEX. NUT	9	REPLACES P/N 0207008000
39	M3444300604	INTAKE CONTROL PLATE (RC) 1	3	
40	0019206015	HEX. HEAD BOLT	6	
41	M3444800004	RAIN GUTTER	1	
42	M3444200703	DOOR, REAR FRAME	1	
43	M9110100204	HINGE, MALE (L)	2	
43A	M9116100004	WASHER	2	
44	0845031504	BLIND PLUG.....	2	REPLACES P/N M9310000004
45	0019208020	HEX. HEAD BOLT	3	
46	0601850097	STOPPER	3	
47	0027208025	MACHINE SCREW	3	
48	M4443600004	WINDOW PLATE	1	
49	020106050	SELF-LOCKING U-NUT	8	REPLACES P/N 0037906000
49A	952404470	WASHER, FLAT	8	REPLACES P/N 0041206000
50	Y0605012318	DOOR HANDLE, SS	1	
50-1	C9312500004	SEAL RUBBER	1	
51	0176060030	SELF-LOCKING NUT	4	REPLACES P/N 0207006000
52	M3464000302	ROOF PANEL	1	
52A	M3494505203	ACOUSTIC SHEET	1	
53	Y0013616035	HEX. HEAD BOLT	4	
53A	0040016000	WASHER, LOCK	4	
53B	0041216000	WASHER, FLAT	4	
54	0019208020	HEX. HEAD BOLT	16	
55	M3310600004	COVER, RADIATOR CAP	1	
56	0019208020	HEX HEAD BOLT	4	
57	Y0601851765	GROMMET	1	
58	0601851736	GROMMET	1	
59	0601851739	GROMMET	1	

ENCLOSURE 2 ASSY.

ADD THE FOLLOWING DIGITS AFTER THE PART NUMBER WHEN ORDERING ANY PAINTED PANEL TO INDICATE COLOR OF UNIT:

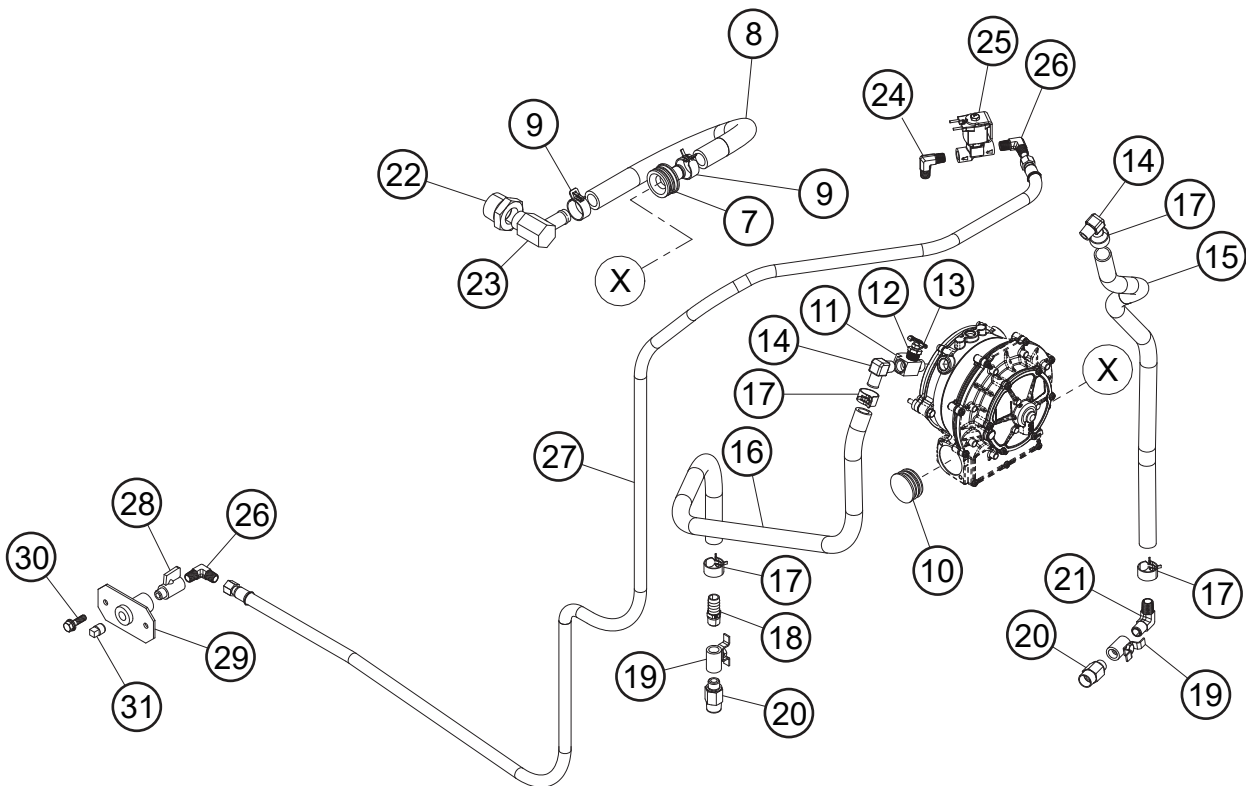
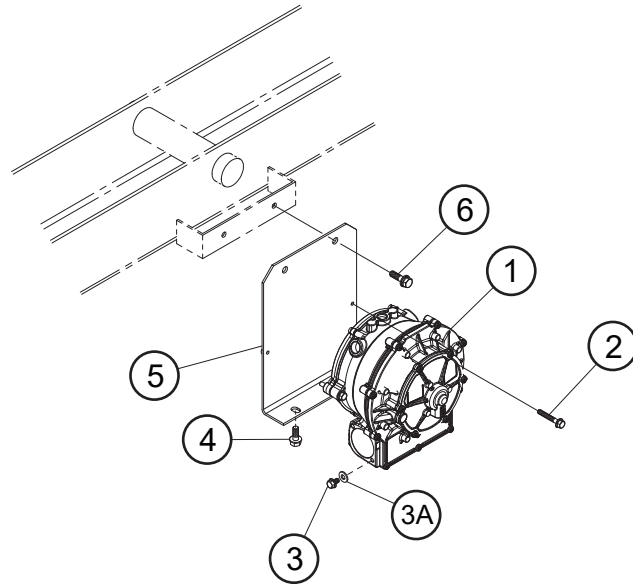
- | | |
|-----------------|----------------------|
| 1-ORANGE | 6-CATERPILLAR YELLOW |
| 2-WHITE | 7-CATO GOLD |
| 3-SPECTRUM GREY | 8-RED |
| 4-SUNBELT GREEN | 9-DESERT TAN |
| 5-BLACK | |

THE SERIAL NUMBER MAY BE REQUIRED.



ENCLOSURE 2 ASSY.

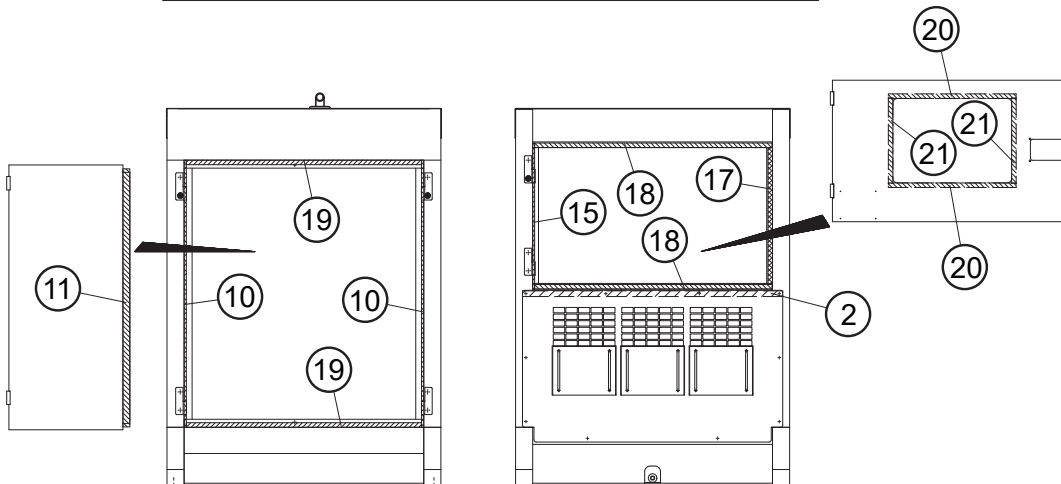
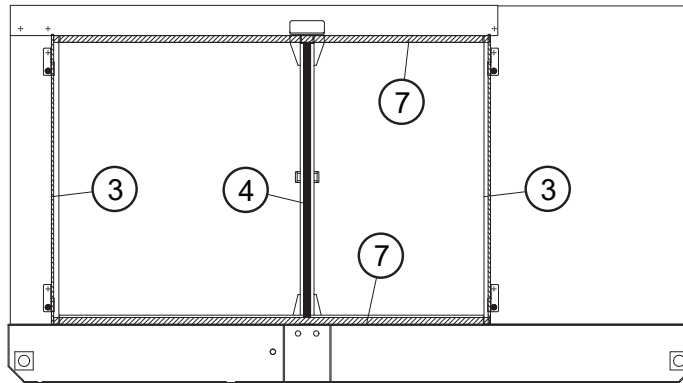
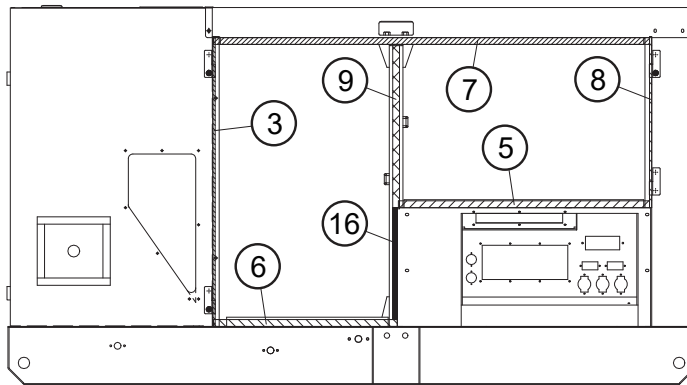
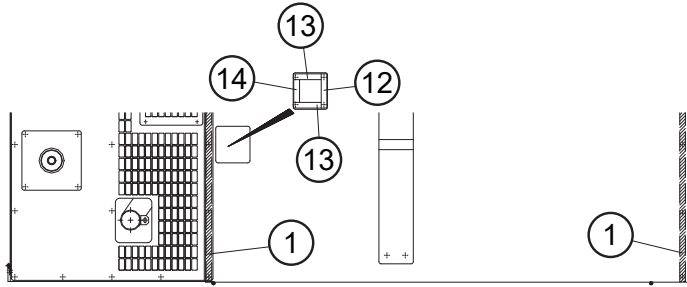
<u>NO.</u>	<u>PART NO.</u>	<u>PART NAME</u>	<u>QTY.</u>	<u>REMARKS</u>
1	M3454201002	SPLASHER PANEL	1	
1A	M3494426504	ACOUSTIC SHEET	1	
2	0019108055	HEX. HEAD BOLT	2	
2A	0042308000	WASHER, LOCK	2	
2B	0401450080	WASHER, FLAT	2	REPLACES P/N 0042408000
3	0016910025	HEX HEAD BOLT	3	
4	0019208020	HEX HEAD BOLT	2	
5	M3454002903	SIDE DOOR	1	
5A	M3494426103	ACOUSTIC SHEET	1	
6	M3454003003	SIDE DOOR	1	
6A	M3494426203	ACOUSTIC SHEET	1	
7	M3454003103	SIDE DOOR	1	
7A	M3494426303	ACOUSTIC SHEET	1	
8	M3454003203	SIDE DOOR	1	
8A	M3494426403	ACOUSTIC SHEET	1	
9	M3454302103	DUCT	1	
9A	M3494426604	ACOUSTIC SHEET	1	
10	M3454302203	DUCT	1	
10A	M3494426804	ACOUSTIC SHEET	1	
11	M3454302003	DUCT	1	
11A	M3494426704	ACOUSTIC SHEET	1	
12	Y0207008000	HEX. NUT	21	
13	Y0605012318	DOOR HANDLE	4	
13-1	C9312500004	SEAL, RUBBER	4	
14	0176060030	SELF-LOCKING NUT	16	REPLACES P/N 0207006000
15	M9110100204	HINGE, MALE (L)	4	
15A	M9116100004	WASHER	4	
16	M9110100304	HINGE, MALE (R)	4	
16A	M9116100004	WASHER	4	
17	0019208020	HEX. HEAD BOLT	9	
18	0601850097	STOPPER	7	
19	0027208025	MACHINE SCREW	7	
20	0845031504	BLIND PLUG.....	8	REPLACES P/N M931000004
21	M3454100604	PLATE, INTAKE CONTROL	2	
22	M3454100504	PLATE, INTAKE CONTROL	1	
23	M3454601004	PLATE GUIDE	4	
24	M3454600904	PLATE GUIDE	1	
25	M3454601104	PLATE GUIDE	1	
26	0019206015	HEX. HEAD BOLT	18	
27	0019206015	HEX. HEAD BOLT	6	
28	M9114300204	STOPPER, DOOR	4	
29	0341510040	HEX. HEAD BOLT	4	
29A	020310080	HEX. NUT	4	REPLACES P/N 0030010000
29B	Y0605000180	CAP	4	
30	M3453600704	BRACKET, DOOR (LOW)	2	
31	M4453600004	GUTTER	1	
32	0019206015	HEX. HEAD BOLT	9	
33	0600800320	MANUAL PAK	1	
34	0176060030	SELF-LOCKING NUT	4	REPLACES P/N 0207006000
35	M2414800104	FUEL LEAK SWITCH BRACKET	1	
36	0016908020	HEX HEAD BOLT	2	
37	0605503066	FUEL LEAK DETECTED SWITCH	1	



LPG ASSY.

<u>NO.</u>	<u>PART NO.</u>	<u>PART NAME</u>	<u>QTY.</u>	<u>REMARKS</u>
1	Y0602042699	VAPORIZER ECI LPG2 STAGE	1.....	32501744
2	Y0601610490	BOLT, M6-1.0 X 45.....	2.....	35000708
3	Y0602006092	BOLT, M6 X 1.0 X 10	4.....	35000449
3A	Y0602005030	WASHER, FLAT 1/4 SAE.....	4.....	35000308
4	Y0602006091	BOLT, M8-1.25 X 20.....	2.....	35000532
5	M3367700204	BRACKET, VAPORIZER	1	
6	011008020	HEX HEAD BOLT.....	2.....	REPLACES P/N 0016908020
7	Y0603309040	FITTING	1.....	32501924
8	Y0376900695	LP GAS HOSE	1	
9	Y0605515311	CLAMP.....	2.....	32501950
10	Y0603306768	PLUG, FUEL PORT	1.....	32501925
11	Y0603306679	TEE, STREET 3/8".....	1.....	32500336
12	Y0603306899	BUSHING, 3/8MPT X 1/8FPT	1.....	32500265
13	Y0605511369	DRAIN COCK, 1/8NPT	1.....	32501383
14	Y0603309041	ELBOW, 3/8NPT X 5/8BH.....	2.....	32501126
15	Y0296301000	HEATER HOSE, L=1000MM (3.28 FT.)	1	
16	Y0269301450	HEATER HOSE, L=1450MM (4.76 FT.)	1	
17	Y0605515198	HOSE BAND, #8	4	
18	0602022794	FITTING, 3/8"NPT X 5/8"HB	1	
19	Y0603325033	MINI BALL VALVE, XV500CS-6-04	2	
20	Y0602022553	ADAPTER 1/2 X 3/8 FF-S	2	
21	Y0602022999	90° HOSE BARB	1	
22	Y0603306898	REDUCER	1	
23	Y0605512179	90° ELBOW HOSE BARB	1	
24	Y0603306467	FITTING, 1/4MPT X 1/4MPT 90°	1.....	32500242
25	Y0602211297	LOCK-OFF	1	
26	Y0603306499	90° HOSE ADAPTER	2	
27	M3367000404	LP GAS HOSE, L=2600MM (8.53 FT.)	1	
28	Y0605511394	MINI BALL VALVE, MV608-4 1/4"NPT	1	
29	M3414800214	LPG INLET PIPE	1	
30	Y0019208035	HEX HEAD BOLT	2	
31	Y0603306794	PLUG, 1/2 NPT	1	

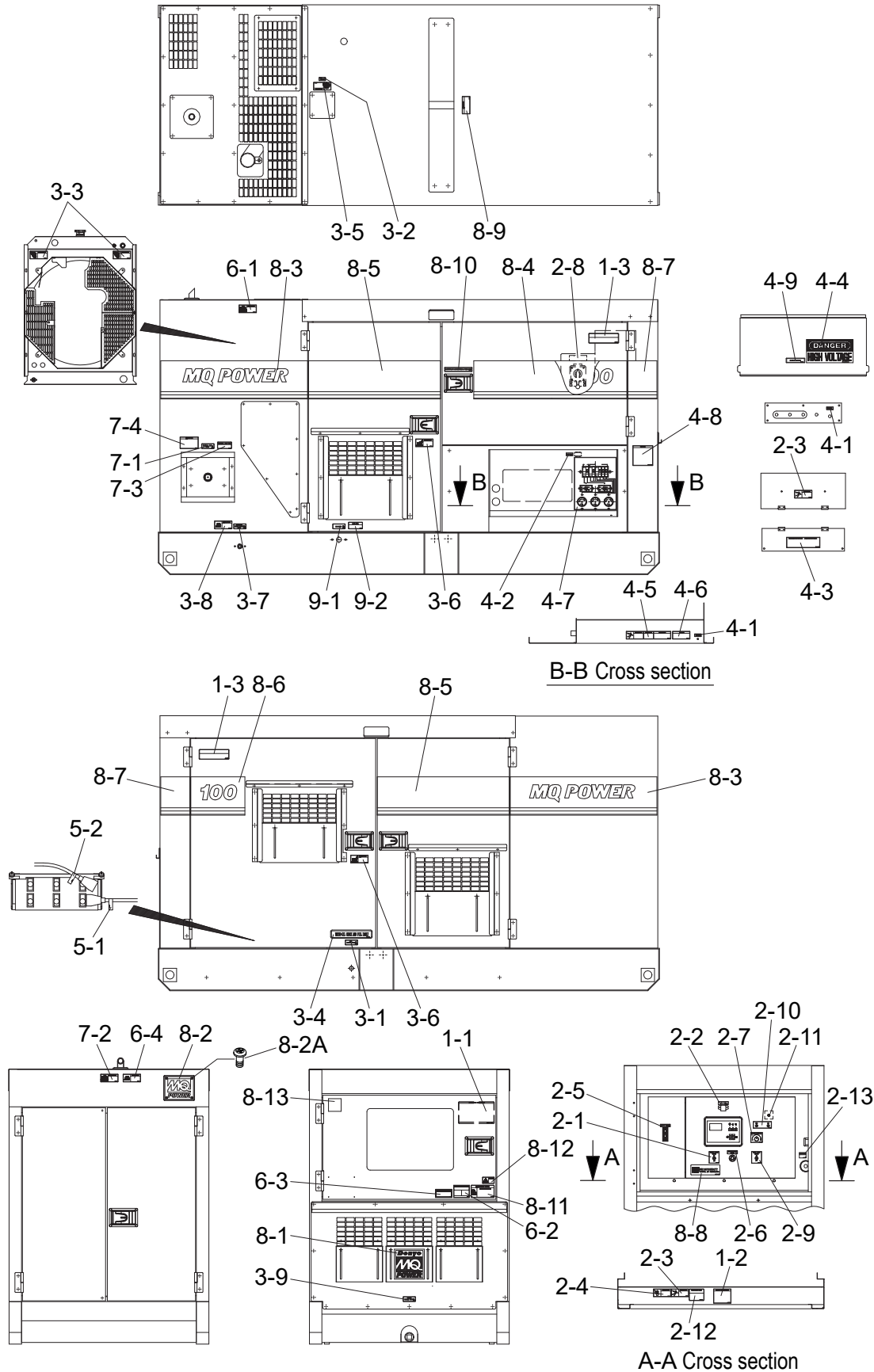
RUBBER SEALS ASSY.



RUBBER SEALS ASSY.

<u>NO.</u>	<u>PART NO.</u>	<u>PART NAME</u>	<u>QTY.</u>	<u>REMARKS</u>
1	0229201200	SEAL, RUBBER	2	
2	0229201140	SEAL, RUBBER	1	
3	Y0229401270	SEAL, RUBBER	3	
4	Y0228901205	SEAL, RUBBER	1	
5	0228901100	SEAL, RUBBER	1	
6	Y0228900805	SEAL, RUBBER	1	
7	Y0228901910	SEAL, RUBBER	3	
8	Y0229400750	SEAL, RUBBER	1	
9	Y0228900720	SEAL, RUBBER	1	
10	Y0229401170	SEAL, RUBBER	2	
11	Y0229401130	SEAL, RUBBER	1	
12	Y0229200150	SEAL, RUBBER	1	
13	Y0229200120	SEAL, RUBBER	2	
14	Y0229200100	SEAL, RUBBER	1	
15	Y0229400640	SEAL, RUBBER	1	
16	0228800490	SEAL, RUBBER	1	
17	0228800600	SEAL, RUBBER	1	
18	0228801040	SEAL, RUBBER	2	
19	0228801030	SEAL, RUBBER	2	
20	Y0228100560	SEAL, RUBBER	2	
21	Y0228100375	SEAL, RUBBER	2	

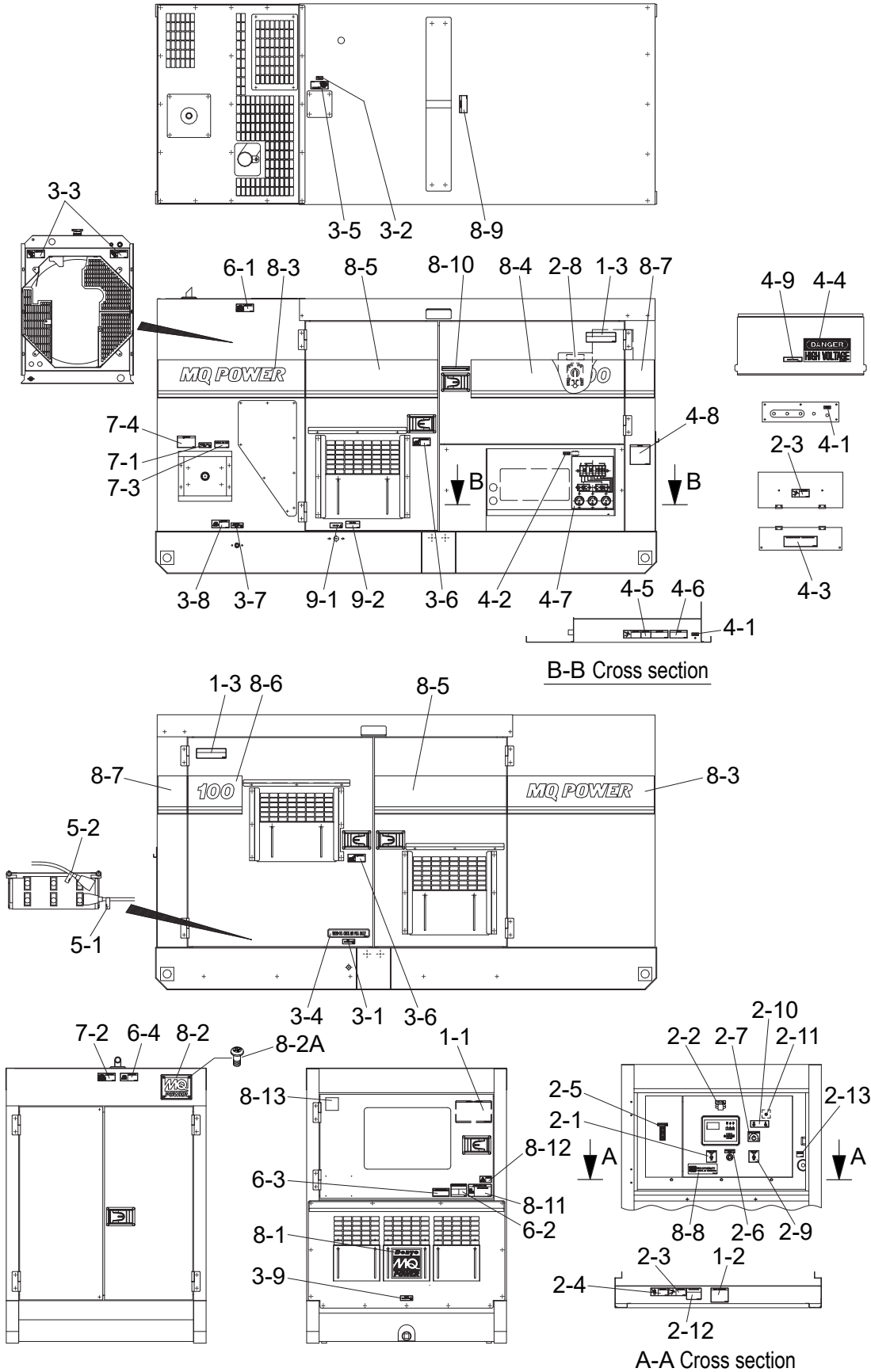
NAMEPLATE AND DECALS ASSY.



NAMEPLATE AND DECALS ASSY.

<u>NO.</u>	<u>PART NO.</u>	<u>PART NAME</u>	<u>QTY.</u>	<u>REMARKS</u>
1-1	M3551002203	DECAL: OPERATING PROCEDURES.....	1.....	M35100220
1-2	M9520100304	DECAL: SAFETY INSTRUCTIONS.....	1.....	M92010030
1-3	M9520100603	DECAL: CAUTION:AUTO START	2.....	M92010060
CONTROL PANEL AND BOX GROUP				
2-1	M9521002104	DECAL: CONTROL POWER SWITCH.....	1.....	M92100210
2-2	M9521002204	DECAL: PANEL LIGHT	1.....	M92100220
2-3	M9520100004	DECAL: WARNING:ELECT. SHK. HAZARD	2.....	M92010000
2-4	M9520100704	DECAL: WARNING:ARC FLASH.....	1.....	M92010070
2-5	M9521002004	DECAL: CIRCUIT BREAKER	1.....	M92100200
2-6	M9521001804	DECAL: EMERGENCY STOP BUTTON	1.....	M92100180
2-7	M9521002404	DECAL: VOLTAGE REGULATOR	1.....	M92100240
2-8	M9520100204	DECAL: CAUTION:CHANGEOVER SW.....	1.....	M92010020A
2-9	M9521002304	DECAL: PANEL LIGHT SWITCH.....	1.....	M92100230
2-10	M9521001904	DECAL: FUEL LAMP	1.....	M92100190
2-11	M9541000004	DECAL: FUEL SELECT SW.	1.....	M94100000A
2-12	M9520200404	DECAL: O.C.R RESET	1.....	M92020040A
2-13	M9520001604	DECAL: BATTERY SWITCH.....	1.....	M92000160
ENGINE AND RADIATOR GROUP				
3-1	M9500000004	DECAL: OIL DRAIN PLUG	1.....	M90000000
3-2	M9500100004	DECAL: WATER	1.....	M90010000
3-3	M9503000004	DECAL: WARNING:ROTATING PART	2.....	M90300000
3-4	M9503000103	DECAL: WATER · OIL CHECK.....	1.....	M90300010
3-5	M9503100004	DECAL: WARNING:HOT COOLANT.....	1.....	M90310000
3-6	M9510100004	DECAL: CAUTION:HOT PARTS.....	2.....	M91010000
3-7	M9541200004	DECAL: SCRUBBER WATER DRAIN	1.....	M94120000
3-8	M9504500204	DECAL: WARNING:SCRUBBER DRAIN.....	1.....	M90450020
3-9	M9510000004	DECAL: FLUID DRAIN	1.....	M91000000
OUTPUT TERMINAL GROUP				
4-1	M9520000004	DECAL: GROUND	2.....	M92000000
4-2	M9520000504	DECAL: START CONTACT.....	1.....	M92000050
4-3	M9520200003	DECAL: CONNECTION OF OUTPUT CABLE .	1.....	M92020000
4-4	M9520100404	DECAL: DANGER:HIGH VOLTAGE	1.....	M92010040
4-5	M9520100503	DECAL: WARNING.....	1.....	M92010050
4-6	M9511100104	DECAL: RECEPTACLES.....	1.....	M91110010
4-7	M1550000703	DECAL: AUXILIARY OUTPUTS	1.....	M15000070
4-8	M3551002504	DECAL: NOTICE:LOAD SHARING	1.....	M35100250
4-9	M9521200604	DECAL: BONDED NEUTRAL.....	1.....	M92120060

NAMEPLATE AND DECALS ASSY. (CONT'D.)



NAMEPLATE AND DECALS ASSY. (CONT'D.)

<u>NO.</u>	<u>PART NO.</u>	<u>PART NAME</u>	<u>QTY.</u>	<u>REMARKS</u>
BATTERY GROUP				
5-1	M9500300004	DECAL: -	1.....	M90030000
5-2	M9500300104	DECAL: +	1.....	M90030010
MUFFLER GROUP				
6-1	M9503200004	DECAL: WARNING:ENGINE EXHAUST	1.....	M90320000
6-2	M9503200104	DECAL: DANGER:EXHAUST.....	1.....	M90320010
6-3	920214100	DECAL: WARNING:START FIRES.....	1.....	REPLACES P/N M9504200004 M90420000
6-4	M9503500104	DECAL: WARNING:FLAMMABLE GAS	1.....	M90350010
GAS FUEL GROUP				
7-1	M9507200004	DECAL: NATURAL GAS FEED	1.....	M90720000
7-2	M9504500304	DECAL: WARNING: GAS	1.....	M90450030
7-3	M9501500204	DECAL: NATURAL GAS FUEL.....	1.....	M90150020
7-4	M3551001404	DECAL: CAUTION:NG INLET PRESSURE	1.....	M35100140
ENCLOSURE GROUP				
8-1	M9511200204	DECAL: MQ	1.....	M91120020
8-2	0600500092	EMBLEM	1	
8-2A	0021106015	MACHINE SCREW	4	
8-3	M3561101803	STRIPE	2	
8-4	M3561101403	STRIPE	1	
8-5	M3561101603	STRIPE	2	
8-6	M3561101504	STRIPE	1	
8-7	M3561101704	STRIPE	2	
8-8	M3561000803	DECAL: MQ 100KVA	1.....	M36100080
8-9	M1550001504	DECAL: LIFTING CAPACITY.....	1.....	M15000150
8-10	M9510000104	DECAL: DOCUMENT BOX LOCATED	1.....	M91000010
8-11	M9511100004	DECAL; WARNING: ENVIRONMENTAL	1.....	M91110000
8-12	M9504200104	DECAL: WARNING:PROPOSITION 65.....	1.....	M90420010
8-13	Y0600500094	DECAL: E-COAT MARK STICKER	1	
LPG GROUP				
9-1	M9504500104	DECAL: LPG FEED	1.....	M90450010
9-2	M9501500304	DECAL: LPG FUEL.....	1.....	M90150030

PARTS MANUAL

HERE'S HOW TO GET HELP

PLEASE HAVE THE MODEL AND SERIAL
NUMBER ON-HAND WHEN CALLING

UNITED STATES

Multiquip Inc.

(310) 537- 3700
6141 Katella Avenue Suite 200
Cypress, CA 90630
E-MAIL: mq@multiquip.com
WEBSITE: www.multiquip.com

CANADA

Multiquip

(450) 625-2244
4110 Industriel Boul.
Laval, Quebec, Canada H7L 6V3
E-MAIL: infocanada@multiquip.com

UNITED KINGDOM

Multiquip (UK) Limited Head Office

0161 339 2223
Unit 2, Northpoint Industrial Estate, Globe Lane,
Dukinfield, Cheshire SK16 4UJ
E-MAIL: sales@multiquip.co.uk

© COPYRIGHT 2023, MULTIQUIP INC.

Multiquip Inc, the MQ logo are registered trademarks of Multiquip Inc. and may not be used, reproduced, or altered without written permission. All other trademarks are the property of their respective owners and used with permission.

This manual MUST accompany the equipment at all times. This manual is considered a permanent part of the equipment and should remain with the unit if resold.

The information and specifications included in this publication were in effect at the time of approval for printing. Illustrations, descriptions, references and technical data contained in this manual are for guidance only and may not be considered as binding. Multiquip Inc. reserves the right to discontinue or change specifications, design or the information published in this publication at any time without notice and without incurring any obligations.

