

PARTS MANUAL



MODEL QP303H CENTRIFUGAL PUMP (HONDA GX160K1TX2/ GX160U1TX2 GASOLINE ENGINE)

Revision #4 (06/01/20)

To find the latest revision of this publication or associated operation manual, visit our website at: www.multiquip.com



THIS MANUAL MUST ACCOMPANY THE EQUIPMENT AT ALL TIMES.

QP303H Centrifugal Pump

Explanation Of Code In Remarks Column..... 4
Suggested Spare Parts 5

Component Drawings

Pump Assembly..... 6-7
Engine Service Parts..... 8-9

NOTICE

Specifications and part numbers are subject to change without notice.

EXPLANATION OF CODE IN REMARKS COLUMN

The following section explains the different symbols and remarks used in the Parts section of this manual. Use the help numbers found on the back page of the manual if there are any questions.

NOTICE

The contents and part numbers listed in the parts section are subject to change **without notice**. Multiquip does not guarantee the availability of the parts listed.

SAMPLE PARTS LIST

NO.	PART NO.	PART NAME	QTY.	REMARKS
1	12345	BOLT	1	INCLUDES ITEMS W/%
2%		WASHER, 1/4 IN.		NOT SOLD SEPARATELY
2%	12347	WASHER, 3/8 IN. ...	1	MQ-45T ONLY
3	12348	HOSE	A/R	MAKE LOCALLY
4	12349	BEARING	1	S/N 2345B AND ABOVE

NO. Column

Unique Symbols — All items with same unique symbol (@, #, +, %, or >) in the number column belong to the same assembly or kit, which is indicated by a note in the “Remarks” column.

Duplicate Item Numbers — Duplicate numbers indicate multiple part numbers, which are in effect for the same general item, such as different size saw blade guards in use or a part that has been updated on newer versions of the same machine.

NOTICE

When ordering a part that has more than one item number listed, check the remarks column for help in determining the proper part to order.

PART NO. Column

Numbers Used — Part numbers can be indicated by a number, a blank entry, or TBD.

TBD (To Be Determined) is generally used to show a part that has not been assigned a formal part number at the time of publication.

A blank entry generally indicates that the item is not sold separately or is not sold by Multiquip. Other entries will be clarified in the “Remarks” Column.

QTY. Column

Numbers Used — Item quantity can be indicated by a number, a blank entry, or A/R.

A/R (As Required) is generally used for hoses or other parts that are sold in bulk and cut to length.

A blank entry generally indicates that the item is not sold separately. Other entries will be clarified in the “Remarks” Column.

REMARKS Column

Some of the most common notes found in the “Remarks” Column are listed below. Other additional notes needed to describe the item can also be shown.

Assembly/Kit — All items on the parts list with the same unique symbol will be included when this item is purchased.

Indicated by:

“INCLUDES ITEMS W/(unique symbol)”

Serial Number Break — Used to list an effective serial number range where a particular part is used.

Indicated by:

“S/N XXXXX AND BELOW”

“S/N XXXX AND ABOVE”

“S/N XXXX TO S/N XXX”

Specific Model Number Use — Indicates that the part is used only with the specific model number or model number variant listed. It can also be used to show a part is NOT used on a specific model or model number variant.

Indicated by:

“XXXXX ONLY”

“NOT USED ON XXXX”

“Make/Obtain Locally” — Indicates that the part can be purchased at any hardware shop or made out of available items. Examples include battery cables, shims, and certain washers and nuts.

“Not Sold Separately” — Indicates that an item cannot be purchased as a separate item and is either part of an assembly/kit that can be purchased, or is not available for sale through Multiquip.

SUGGESTED SPARE PARTS

QP303H CENTRIFUGAL PUMP WITH HONDA GX160K1TX2/GX160UT2TX2 ENGINE

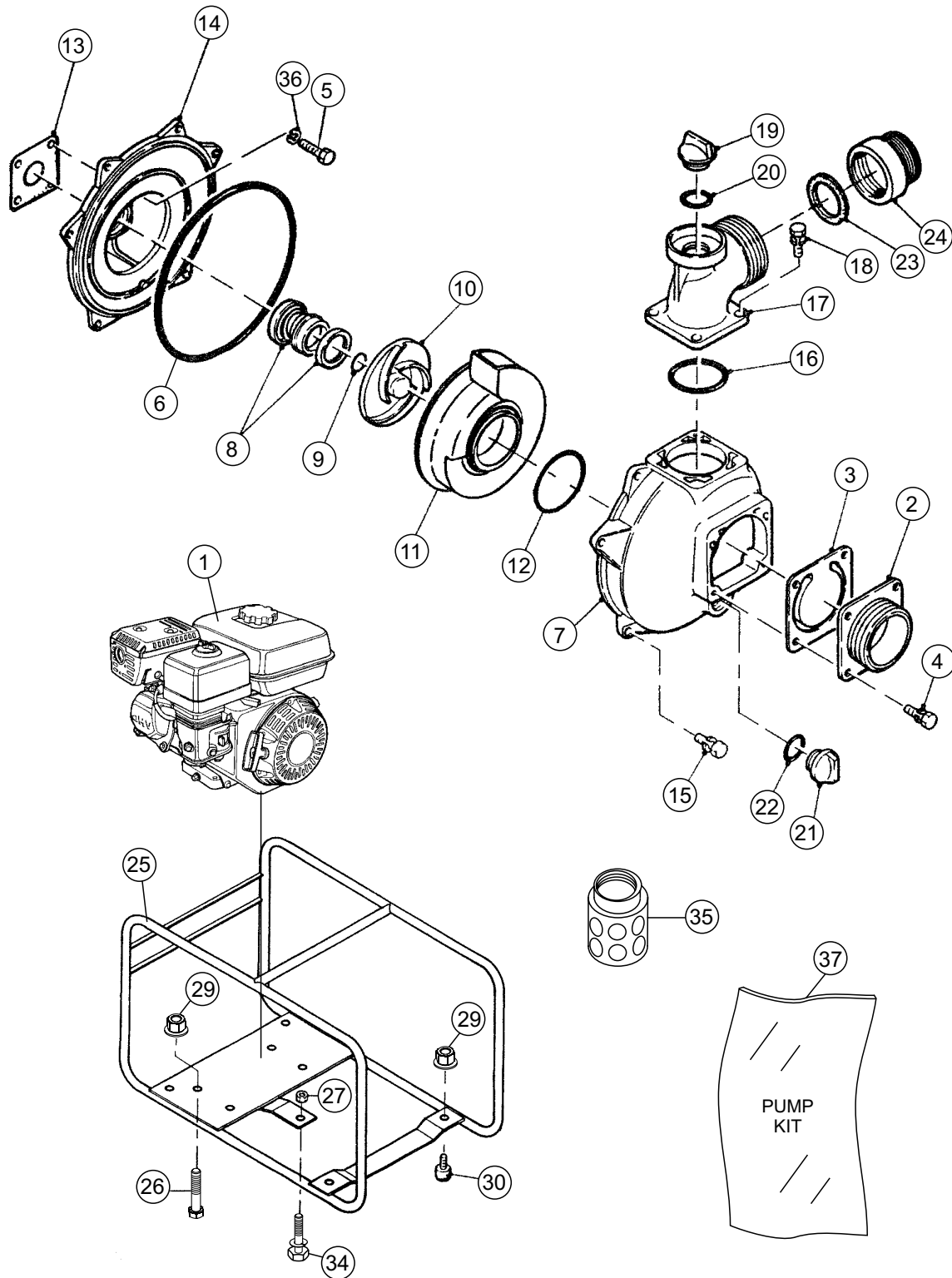
1 to 3 units

Qty.	P/N	Description
2	KIT303	KIT, PUMP, MECHANICAL SEAL, SLEEVE, O-RINGS
2	.0631211100ASSY	DRAIN CAP, FLOODING W/O-RING
2	.0480350300	O-RING DRAIN CAP
1	.0808112320	MECHANICAL SEAL
1	.0482200750	O-RING, VOLUTE CASING
1	.0489312550	O-RING, CASING
1	.1391000030	IMPELLER
2	.17210ZE1822	ELEMENT, AIR CLEANER
3	.9807956846	SPARK PLUG (GX160K1TX2)
3	.9807955876	SPARK PLUG (GX160UT2TX2)
1	.28462ZH8003	ROPE, RECOIL STARTER
1	.17620Z4H020	CAP, WITH GASKET, FUEL FILLER (GX160UT2TX2)
1	.17620ZOT305	CAP, WITH GASKET, FUEL FILLER (GX160K1TX2)

NOTICE

Part numbers on this Suggested Spare Parts list may supersede/replace the part numbers shown in the following parts lists.

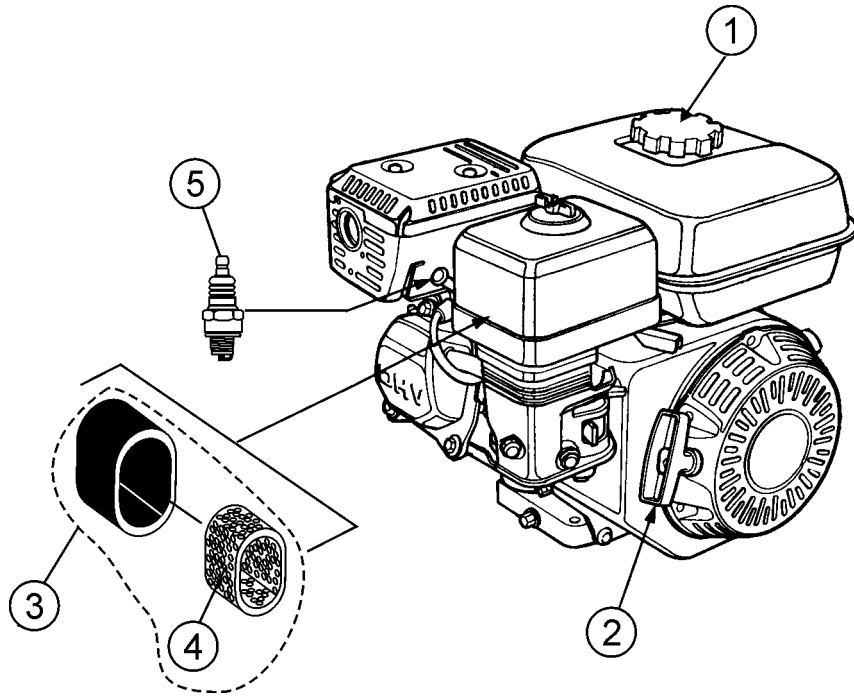
PUMP ASSEMBLY



PUMP ASSEMBLY

NO.	PART NO.	PART NAME	QTY.	REMARKS
1	GX160UT2TX2	ENGINE, HONDA	1	REPLACES GX160K1TX2
2	13910001600014	SUCTION COVER NPT 3"	1	
3	1378350350	CHECK VALVE	1	
4	0181050825	BOLT SET WITH SPRING M8X25	4	
5	0191150525	BOLT (CASING COVER) 5/16"-24 UNF X25	4	
6*	0489352550	O-RING CASING, DIA 3.5 X 255	1	
7	1814100010	CASING	1	
8*	0803112320	MECHANICAL SEAL	1	
9*	0852831400	ADJUST LINER, DIA 15, T0.3	1	
9*	0852851400	ADJUST LINER, DIA 15, T0.5	1	
10	1391000030	IMPELLER, 5/8"-18 UNF	1	
11	1391000130	VOLUTE CASING	1	
12*	0482200750	O-RING, VOLUTE CASING, S75	1	
13	1211390610	CASING COVER PACKING	1	
14	9358100020	CASING COVER	1	
15	0181050825	BOLT SET WITH SPRING M8X25	6	
16	1803330360	DELIVERY COVER PACKING	1	
17	1391100090B	DELIVERY ELBOW, NPT 3"	1	
18	0181050825	BOLT SET WITH SPRING M8X25	4	
19	0631211100ASSY	FLOODING CAP/W O-RING	1	
20	0480350300	O-RING, FLOODING CAP	1	
21	0631211100ASSY	DRAIN CAP/W O-RING	1	
22	0480350300	O-RING, DRAIN CAP	1	
23	0741320801	PACKING	1	
24	07984330300014	SOCKET, NPS3" X NPT3"	1	
25	1381214010P002	BASE	1	
26	0105050840	BOLT, ENGINE M8X40	4	
27	0205450080	NUT, M8	1	
29	0209150080	NUT, FLANGE	8	
30	0723323040	CUSHION, RUBBER DIA 40, H30 M8	4	
34	0181050820	BOLT SET WITH SPRING WASHER	1	
35	0742303080	STRAINER, NPT3"	1	
36	0451250080	WASHER, SPRING	4	
37	KIT303	KIT, PUMP, MECHANICAL SEAL, O-RINGS.....	1	INCLUDES ITEMS W/ *

ENGINE SERVICE PARTS



ENGINE SERVICE PARTS

<u>NO.</u>	<u>PART NO.</u>	<u>PART NAME</u>	<u>QTY.</u>	<u>REMARKS</u>
1	17620Z4H020	CAP, WITH GASKET, FUEL FILLER.....	1.....	GX160UT2TX2
1	17620ZOT305	CAP, WITH GASKET, FUEL FILLER.....	1.....	GX160K1TX2
2	28462ZH8003	ROPE, RECOIL STARTER	1	
3	17210ZE1822	ELEMENT, AIR CLEANER	1	
4#	17218ZE0505	FILTER, OUTER	1	
5	9807956846	SPARK PLUG	1.....	GX160K1TX2
5	9807955876	SPARK PLUG	1.....	GX160UT2TX2

PARTS MANUAL

HERE'S HOW TO GET HELP

PLEASE HAVE THE MODEL AND SERIAL
NUMBER ON-HAND WHEN CALLING

UNITED STATES

Multiquip Inc.

(310) 537- 3700
6141 Katella Avenue Suite 200
Cypress, CA 90630
E-MAIL: mq@multiquip.com
WEBSITE: www.multiquip.com

CANADA

Multiquip

(450) 625-2244
4110 Industriel Boul.
Laval, Quebec, Canada H7L 6V3
E-MAIL: infocanada@multiquip.com

UNITED KINGDOM

Multiquip (UK) Limited Head Office

0161 339 2223
Unit 2, Northpoint Industrial Estate,
Globe Lane,
Dukinfield, Cheshire SK16 4UJ
E-MAIL: sales@multiquip.co.uk

© COPYRIGHT 2020, MULTIQUIP INC.

Multiquip Inc, the MQ logo are registered trademarks of Multiquip Inc. and may not be used, reproduced, or altered without written permission. All other trademarks are the property of their respective owners and used with permission.

This manual MUST accompany the equipment at all times. This manual is considered a permanent part of the equipment and should remain with the unit if resold.

The information and specifications included in this publication were in effect at the time of approval for printing. Illustrations, descriptions, references and technical data contained in this manual are for guidance only and may not be considered as binding. Multiquip Inc. reserves the right to discontinue or change specifications, design or the information published in this publication at any time without notice and without incurring any obligations.

Your Local Dealer is:

