

PARTS MANUAL



MODEL QP4TH TRASH PUMP (HONDA GX340K1QA2/GX340U1QA2/GX340UT2QA2 GASOLINE ENGINE)

Revision #5 (05/29/20)

To find the latest revision of this publication or associated operation manual, visit our website at: www.multiquip.com



THIS MANUAL MUST ACCOMPANY THE EQUIPMENT AT ALL TIMES.

QP4TH Trash Pump

Explanation Of Code In Remarks Column..... 4
Suggested Spare Parts 5

Component Drawings

Pump Assembly..... 6-9
Engine Service Parts..... 10-11

NOTICE

Specifications and part numbers are subject to change without notice.

EXPLANATION OF CODE IN REMARKS COLUMN

The following section explains the different symbols and remarks used in the Parts section of this manual. Use the help numbers found on the back page of the manual if there are any questions.

NOTICE

The contents and part numbers listed in the parts section are subject to change **without notice**. Multiquip does not guarantee the availability of the parts listed.

SAMPLE PARTS LIST

NO.	PART NO.	PART NAME	QTY.	REMARKS
1	12345	BOLT	1	INCLUDES ITEMS W/%
2%		WASHER, 1/4 IN.		NOT SOLD SEPARATELY
2%	12347	WASHER, 3/8 IN. ...	1	MQ-45T ONLY
3	12348	HOSE	A/R	MAKE LOCALLY
4	12349	BEARING	1	S/N 2345B AND ABOVE

NO. Column

Unique Symbols — All items with same unique symbol (@, #, +, %, or >) in the number column belong to the same assembly or kit, which is indicated by a note in the “Remarks” column.

Duplicate Item Numbers — Duplicate numbers indicate multiple part numbers, which are in effect for the same general item, such as different size saw blade guards in use or a part that has been updated on newer versions of the same machine.

NOTICE

When ordering a part that has more than one item number listed, check the remarks column for help in determining the proper part to order.

PART NO. Column

Numbers Used — Part numbers can be indicated by a number, a blank entry, or TBD.

TBD (To Be Determined) is generally used to show a part that has not been assigned a formal part number at the time of publication.

A blank entry generally indicates that the item is not sold separately or is not sold by Multiquip. Other entries will be clarified in the “Remarks” Column.

QTY. Column

Numbers Used — Item quantity can be indicated by a number, a blank entry, or A/R.

A/R (As Required) is generally used for hoses or other parts that are sold in bulk and cut to length.

A blank entry generally indicates that the item is not sold separately. Other entries will be clarified in the “Remarks” Column.

REMARKS Column

Some of the most common notes found in the “Remarks” Column are listed below. Other additional notes needed to describe the item can also be shown.

Assembly/Kit — All items on the parts list with the same unique symbol will be included when this item is purchased.

Indicated by:

“INCLUDES ITEMS W/(unique symbol)”

Serial Number Break — Used to list an effective serial number range where a particular part is used.

Indicated by:

“S/N XXXXX AND BELOW”

“S/N XXXX AND ABOVE”

“S/N XXXX TO S/N XXX”

Specific Model Number Use — Indicates that the part is used only with the specific model number or model number variant listed. It can also be used to show a part is NOT used on a specific model or model number variant.

Indicated by:

“XXXXX ONLY”

“NOT USED ON XXXX”

“Make/Obtain Locally” — Indicates that the part can be purchased at any hardware shop or made out of available items. Examples include battery cables, shims, and certain washers and nuts.

“Not Sold Separately” — Indicates that an item cannot be purchased as a separate item and is either part of an assembly/kit that can be purchased, or is not available for sale through Multiquip.

SUGGESTED SPARE PARTS

QP4TH TRASH PUMP WITH HONDA GX340K1QA2/GX340U1QA2/GX240UT2QA2 ENGINES

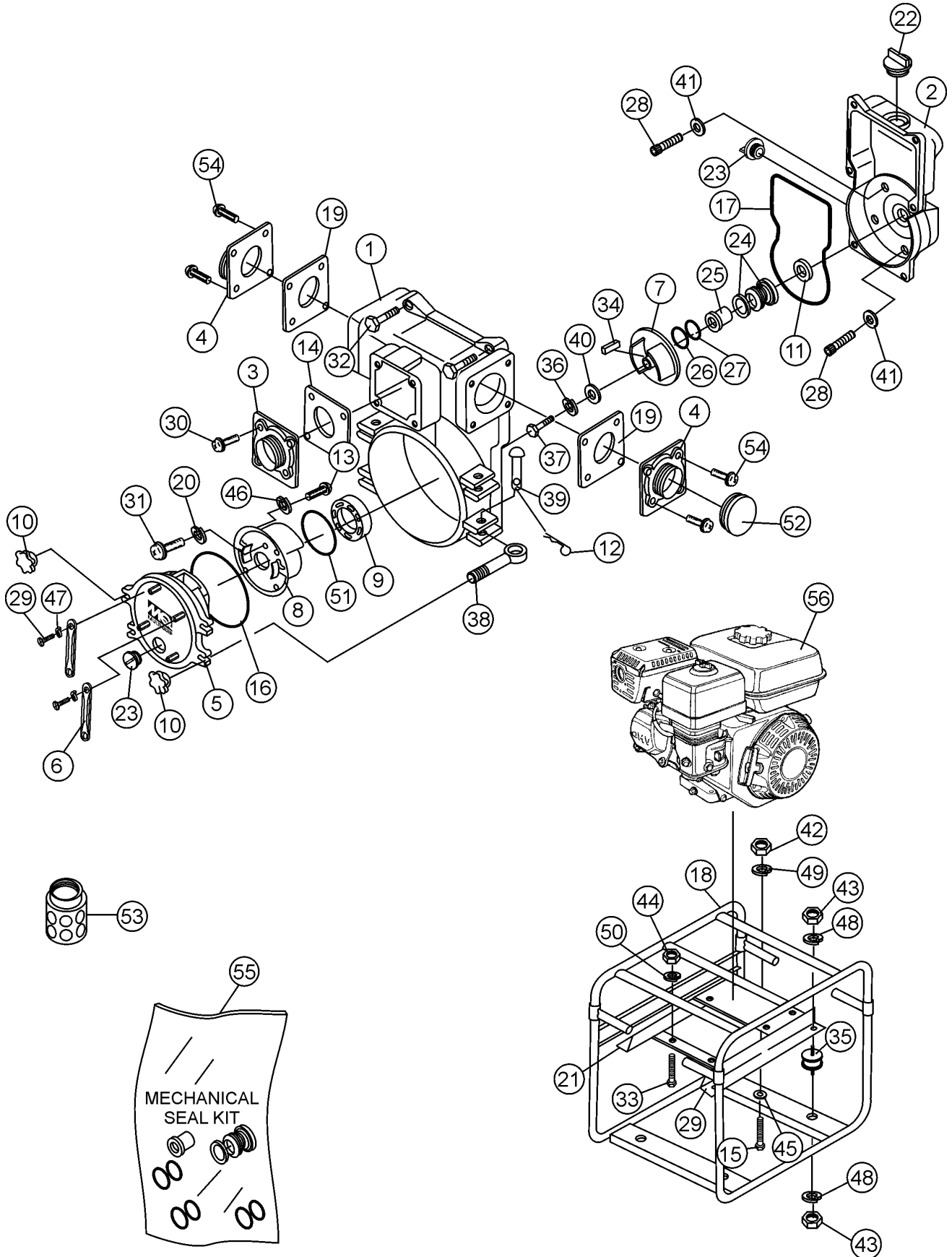
1 to 3 units

Qty.	P/N	Description
1.....	1466040030.....	IMPELLER
1.....	0811885433.....	MECHANICAL SEAL SLEEVE
2.....	0803442930.....	MECHANICAL SEAL
1.....	1401350350.....	CHECK VALVE
4.....	0631211159.....	DRAIN CAP
4.....	4660002200002.....	DRAIN COVER KNOB
1.....	0742214100.....	STEEL STRAINER
5.....	17210ZE3505.....	ELEMENT, AIR CLEANER, GX340K1QA2
5.....	17210ZE3010.....	ELEMENT, AIR CLEANER, GX340U1QA2/GX240UT2QA2
5.....	9807956846.....	SPARK PLUG, GX340K1QA2
5.....	9807955846.....	SPARK PLUG, GX340U1QA2/GX240UT2QA2
1.....	17620ZH7023.....	CAP, FUEL TANK, GX340K1QA2
1.....	17620Z4H020.....	CAP, FUEL TANK , GX340U1QA2/GX240UT2QA2
2.....	17672ZE2W01.....	FILTER, FUEL, GX340K1QA2
2.....	17672Z4H020.....	FILTER, FUEL, GX340U1QA2/GX240UT2QA2
1.....	28462ZE3W01.....	ROPE, RECOIL STARTER

NOTICE

Part numbers on this Suggested Spare Parts list may supersede/replace the part numbers shown in the following parts lists.

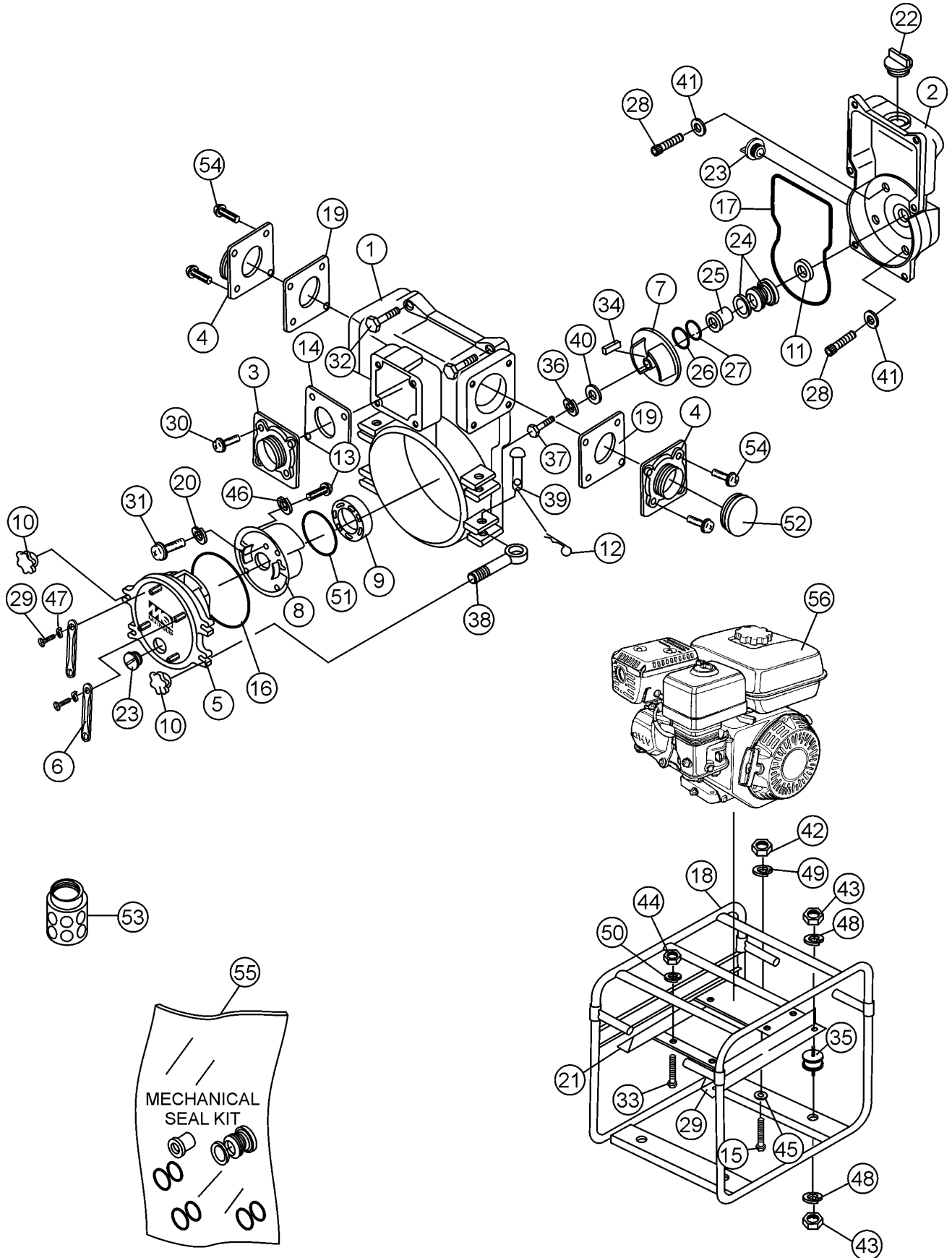
PUMP ASSEMBLY



PUMP ASSEMBLY

<u>NO.</u>	<u>PART NO.</u>	<u>PART NAME</u>	<u>QTY.</u>	<u>REMARKS</u>
1	14660600100002	CASING	1	
2	14660600200002	CASING COVER.....	1	OCTOBER 2007 AND BELOW
2	14660600210002	CASING COVER.....	1	NOVEMBER 2007 AND ABOVE
3	14660000900002	SUCTION COVER, NPT 4"	1	
4	14660000900002	DELIVERY COVER, NPT 4"	2	
5	14660601700002	DRAIN COVER	1	
6	12471002500002	DRAIN COVER SET HANDLE	2	
7	1466040031ASSY	IMPELLER ASSEMBLY	1	
8	1466000130	VOLUTE CASING	1	
9	1466040700	WEAR PLATE	1	
10	14660002200002	DRAIN SET HANDLE	4	
11*	0482200240	O-RING (MECHANICAL SEAL SLEEVE)	2	
12	0641400430	SPLIT PIN	4	
13	0131190820	CAP SCREW, M8X20 (VOLUTE CASING)	3	
14	1401350350	CHECK VALVE	1	
15	0105051045	BOLT, M10X45 (ENGINE)	4	
16*	0483602750	O-RING (DRAIN COVER)	1	
17	1466330460	O-RING (CASING)	1	
18	1466214010P002	BASE	1	
19	1401330360	DELIVERY COVER PACKING	2	
20	0451290080	WASHER, LOCK M8 (WEAR PLATE)	3	
21	14662140210014	ENGINE BASE.....	1	REPLACES 14662140200014
22	0631211159	FLOODING CAP, PF1 1/2"	1	
23	0631211159	DRAIN CAP, PF1 1/2"	2	
24*	0803442930	MECHANICAL SEAL	1	
25*	0811885433	MECHANICAL SEAL SLEEVE	1	
26*	0852834525	ADJUST LINER, F45XF25.4 T0.3	1	
27*	0852854525	ADJUST LINER, F45XF25.4 T0.5	1	
28	0131290665	CAP SCREW, 3/8-16UNCx65 (CASING CVR SET BOLT)	4	
29	0141050825	SCREW, M8x25 (DRAIN CUVER SET HANDLE)	4	
30	0131151225	CAP SCREW, M12x25 (SUCTION COVER	4	
31	0131190820	CAP SCREW, M8x20 (WEAR PLATE)	3	
32	0131151230	CAP SCREW, M12x30 (CASING)	6	
33	0105051040	BOLT, M10x40 (PUMP)	2	
34	0520040440	KEY, 6.3x40	1	
35	0723302546	CUSHION RUBBER	4	
36	0458220071	WASHER, SEAL (IMPELLER)	1	
37	0107090650	BOLT, 3/8-24UNFX50 (IMPELLER)	1	
38	1466200270	HINGE BOLT, M10x65	4	
39	1466220280	HINGE PIN	4	

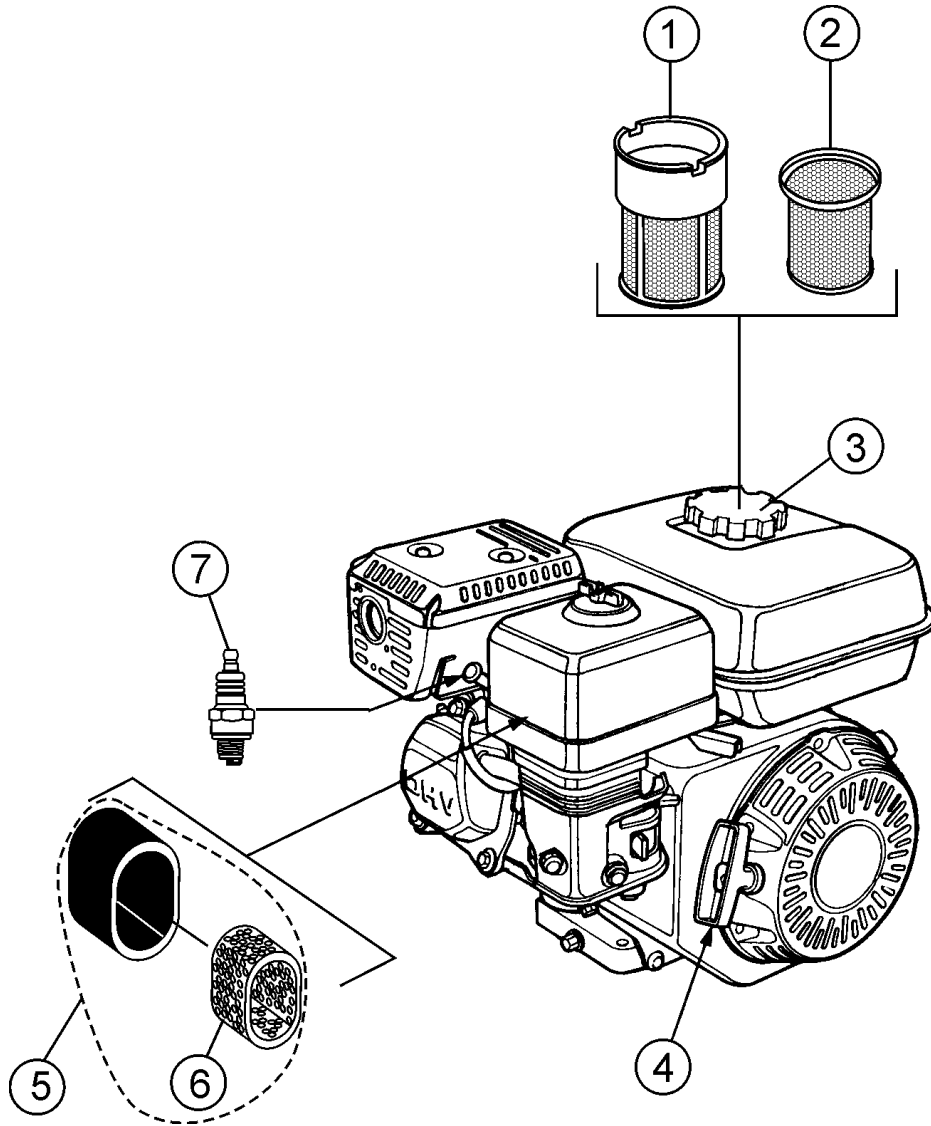
PUMP ASSEMBLY



PUMP ASSEMBLY

<u>NO.</u>	<u>PART NO.</u>	<u>PART NAME</u>	<u>QTY.</u>	<u>REMARKS</u>
40	1466251241	IMPELLER WASHER, 42 X 9.8 X T6.0.....	1.....	REPLACES 43342012400011
41	0458220071	SEAL WASHER, 3/8" (CASING COVER)	4	
42	0205450100	NUT, M10 (ENGINE)	4	
43	0205450100	NUT, M10 (CUSHION RUBBER)	8	
44	0205450100	NUT, M10 (PUMP)	4	
45	0401450100	WASHER, M10 (ENGINE)	4	
46	0451290080	WASHER, SPRING M8 (VOLUTE CASING)	3	
47	0451250080	WASHER, SPRING M8 (DRAIN COVER SET HANDLE)	4	
48	0451250100	WASHER, SPRING M10 (CUSHION RUBBER)	8	
49	0451250100	WASHER, SPRING M10 (ENGINE)	4	
50	0451250100	WASHER, SPRING M10 (PUMP)	2	
51*	0481572500	O-RING (VOLUTE CASING)	1	
52	1466108050	CAP	1	
53	0742214100	STRAINER	1	
54	0131151220	CAP SCREW, M12x20 (DELIVERY COVER)	8	
55	KIT4TH	KIT, MECHANICAL SEAL, SLEEVE, O-RINGS.....	1.....	INCLUDES ITEMS W/ *
56	GX340K1QA2	ENGINE, HONDA 10.7 HP	1.....	S/N 4TH-0249 AND BELOW
56	GX340U1QA2	ENGINE, HONDA 10.7 HP	1.....	S/N 4TH-0250 TO 4TH-3304
56	GX340UT2QA2	ENGINE, HONDA 10.7 HP	1.....	S/N 4TH-3305 AND ABOVE

ENGINE SERVICE PARTS



ENGINE SERVICE PARTS

<u>NO.</u>	<u>PART NO.</u>	<u>PART NAME</u>	<u>QTY.</u>	<u>REMARKS</u>
1	17672ZE2W01	FILTER, FUEL.....	1.....	GX340K1QA2
2	17672Z4H020	FILTER, FUEL.....	1.....	GX340U1QA2/GX240UT2QA2
3	17620ZH7023	CAP, FUEL TANK	1.....	GX340K1QA2
3	17620Z4H020	CAP, FUEL TANK.....	1.....	GX340U1QA2/GX240UT2QA2
4	28462ZE3W01	ROPE, RECOIL STARTER	1	
5	17210ZE3505	ELEMENT, AIR CLEANER	1.....	GX340K1QA2 INCLUDES ITEM W/ #
5	17210ZE3010	ELEMENT, AIR CLEANER	1.....	GX340U1QA2/GX240UT2QA2 INCLUDES ITEM W/ #
6#	17218ZE1507	FILTER, OUTER	1	
7	9807956846	SPARK PLUG	1.....	GX340K1QA2
7	9807955846	SPARK PLUG	1.....	GX340U1QA2/GX240UT2QA2

PARTS MANUAL

HERE'S HOW TO GET HELP

PLEASE HAVE THE MODEL AND SERIAL
NUMBER ON-HAND WHEN CALLING

UNITED STATES

Multiquip Inc.

(310) 537- 3700
6141 Katella Avenue Suite 200
Cypress, CA 90630
E-MAIL: mq@multiquip.com
WEBSITE: www.multiquip.com

CANADA

Multiquip

(450) 625-2244
4110 Industriel Boul.
Laval, Quebec, Canada H7L 6V3
E-MAIL: infocanada@multiquip.com

UNITED KINGDOM

Multiquip (UK) Limited Head Office

0161 339 2223
Unit 2, Northpoint Industrial Estate,
Globe Lane,
Dukinfield, Cheshire SK16 4UJ
E-MAIL: sales@multiquip.co.uk

© COPYRIGHT 2020, MULTIQUIP INC.

Multiquip Inc, the MQ logo are registered trademarks of Multiquip Inc. and may not be used, reproduced, or altered without written permission. All other trademarks are the property of their respective owners and used with permission.

This manual MUST accompany the equipment at all times. This manual is considered a permanent part of the equipment and should remain with the unit if resold.

The information and specifications included in this publication were in effect at the time of approval for printing. Illustrations, descriptions, references and technical data contained in this manual are for guidance only and may not be considered as binding. Multiquip Inc. reserves the right to discontinue or change specifications, design or the information published in this publication at any time without notice and without incurring any obligations.

Your Local Dealer is:

