

PARTS MANUAL



MODELS
QP4TZT10P
QP4TZTMP16F
QP4TZTMPXF
TRASH PUMP
(Hatz 1B40U-2203A Diesel Engine)

Revision #2 (12/02/22)

To find the latest revision of this publication or associated operation manual, visit our website at: www.multiquip.com



THIS MANUAL MUST ACCOMPANY THE EQUIPMENT AT ALL TIMES.

QP4TZT10P/TMP16F/TMPXF Trash Pump

Explanation Of Code In Remarks Column..... 4
Suggested Spare Parts 5

Component Drawings

QP4TZ Pump Assembly 6–7
QP4TZTMP16F/QP4TZTMPXF Decals 8–9
QP4TZT10P Decals 10–11
Trailer Assy. (QP4TZTMP16F/QP4TZTMPXF)..... 12–13
Trailer Assembly (TRLR10P) 14–15
Axle Assembly 16–17
Lifting Bail Assy. (QP4TZTMP16F/QP4TZTMPXF) 18–19
Fuel Assembly (QP4TZTMPXF) 20–21
Fuel Assembly (QP4TZTMP16F) 22–23
Battery Assy. (QP4TZTMP16F/QP4TZTMPXF) 24–25
Pump Assy. (QP4TZTMP16F/QP4TZTMPXF) 26–27
Pump And Battery Assembly (QP4TZT10P)..... 28–29
Engine Service Parts 30–31

NOTICE

Specifications and part numbers are subject to change without notice.

EXPLANATION OF CODE IN REMARKS COLUMN

The following section explains the different symbols and remarks used in the Parts section of this manual. Use the help numbers found on the back page of the manual if there are any questions.

NOTICE

The contents and part numbers listed in the parts section are subject to change **without notice**. Multiquip does not guarantee the availability of the parts listed.

SAMPLE PARTS LIST

NO.	PART NO.	PART NAME	QTY.	REMARKS
1	12345	BOLT	1	INCLUDES ITEMS W/%
2%		WASHER, 1/4 IN.		NOT SOLD SEPARATELY
2%	12347	WASHER, 3/8 IN. ...	1	MQ-45T ONLY
3	12348	HOSE	A/R	MAKE LOCALLY
4	12349	BEARING	1	S/N 2345B AND ABOVE

NO. Column

Unique Symbols — All items with same unique symbol (@, #, +, %, or >) in the number column belong to the same assembly or kit, which is indicated by a note in the “Remarks” column.

Duplicate Item Numbers — Duplicate numbers indicate multiple part numbers, which are in effect for the same general item, such as different size saw blade guards in use or a part that has been updated on newer versions of the same machine.

NOTICE

When ordering a part that has more than one item number listed, check the remarks column for help in determining the proper part to order.

PART NO. Column

Numbers Used — Part numbers can be indicated by a number, a blank entry, or TBD.

TBD (To Be Determined) is generally used to show a part that has not been assigned a formal part number at the time of publication.

A blank entry generally indicates that the item is not sold separately or is not sold by Multiquip. Other entries will be clarified in the “Remarks” Column.

QTY. Column

Numbers Used — Item quantity can be indicated by a number, a blank entry, or A/R.

A/R (As Required) is generally used for hoses or other parts that are sold in bulk and cut to length.

A blank entry generally indicates that the item is not sold separately. Other entries will be clarified in the “Remarks” Column.

REMARKS Column

Some of the most common notes found in the “Remarks” Column are listed below. Other additional notes needed to describe the item can also be shown.

Assembly/Kit — All items on the parts list with the same unique symbol will be included when this item is purchased.

Indicated by:

“INCLUDES ITEMS W/(unique symbol)”

Serial Number Break — Used to list an effective serial number range where a particular part is used.

Indicated by:

“S/N XXXXX AND BELOW”

“S/N XXXX AND ABOVE”

“S/N XXXX TO S/N XXX”

Specific Model Number Use — Indicates that the part is used only with the specific model number or model number variant listed. It can also be used to show a part is NOT used on a specific model or model number variant.

Indicated by:

“XXXXX ONLY”

“NOT USED ON XXXX”

“Make/Obtain Locally” — Indicates that the part can be purchased at any hardware shop or made out of available items. Examples include battery cables, shims, and certain washers and nuts.

“Not Sold Separately” — Indicates that an item cannot be purchased as a separate item and is either part of an assembly/kit that can be purchased, or is not available for sale through Multiquip.

SUGGESTED SPARE PARTS

QP4TZ TRASH PUMP

1 to 3 units

Qty.	P/N	Description
2.....	KIT4TH	KIT, MECH. SEAL, O-RINGS
1.....	1471040030.....	IMPELLER
4.....	.0631211159.....	FLOODING CAP

HATZ 1B40U-2203A DIESEL ENGINE

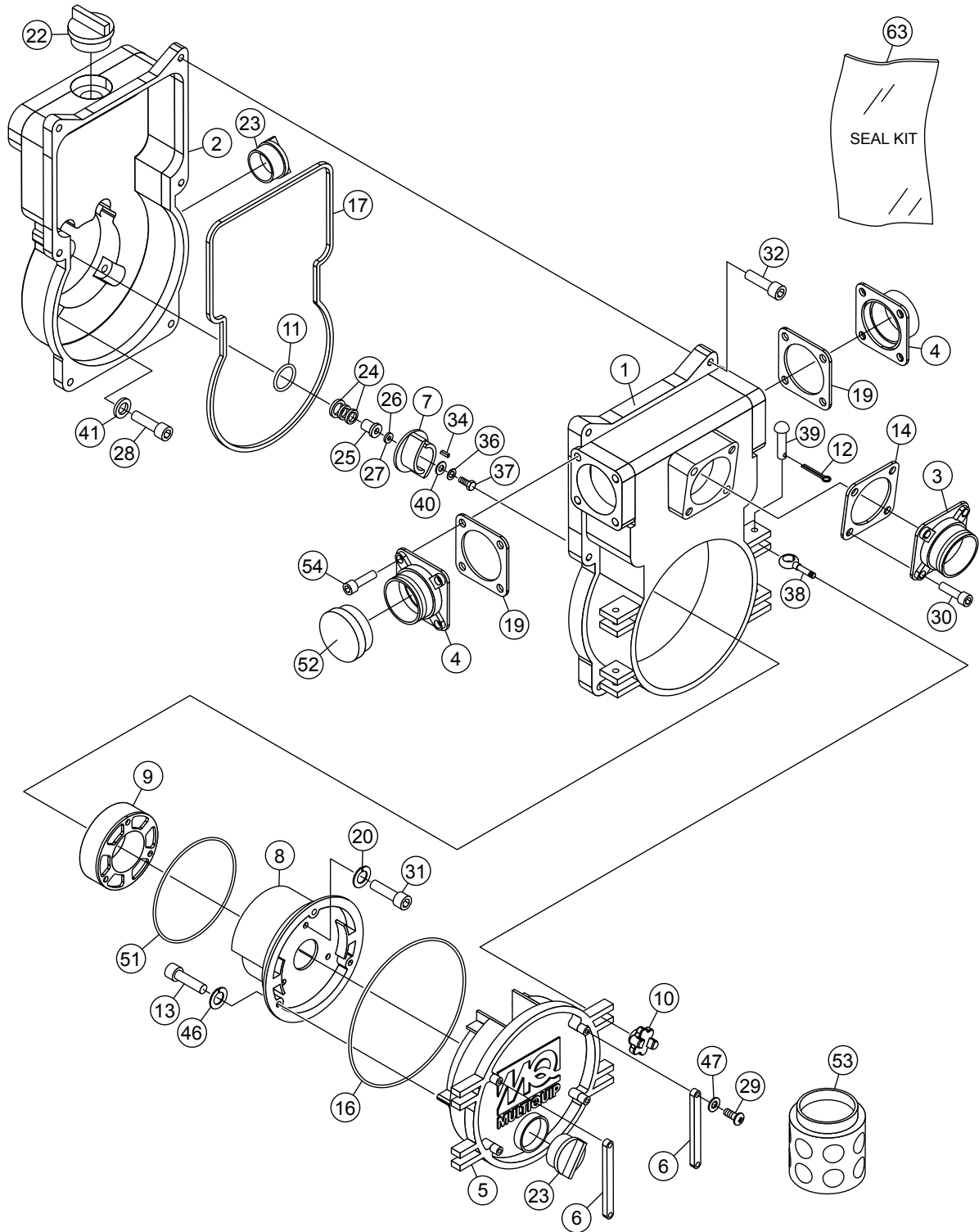
1 to 3 units

Qty.	P/N	Description
3.....	50484100.....	ELEMENT, AIR CLEANER
1.....	01929000.....	ROPE, STARTER
3.....	50404900.....	KEY, STARTER SWITCH
3.....	01542705.....	OIL SUCTION FILTER ASSY.

NOTICE

Part numbers on this Suggested Spare Parts list may supersede/replace the part numbers shown in the following parts lists.

QP4TZ PUMP ASSY.



QP4TZ PUMP ASSY.

<u>NO.</u>	<u>PART NO.</u>	<u>PART NAME</u>	<u>QTY.</u>	<u>REMARKS</u>
1	14660600100002	CASING	1	
2	14460600210002	CASING COVER	1	
3	14660000900002	SUCTION COVER	1	
4	14660000900002	DELIVERY COVER	2	
5	14660601700002	DRAIN COVER	1	
6	12470002500002	DRAIN COVER KNOB	2	
7	1471040030	IMPELLER	1	
8	1466000130	VOLUTE CASING	1	
9	1466040700	SUCTION PLATE	1	
10	14660002200002	DRAIN COVER SET HANDLE	4	
11#	0482200240	O'RING (MECHANICAL SEAL SLEEVE)	1	
12	0641400430	SPLIT PIN	4	
13	0131190820	CAP SCREW (VOLUTE CASING)	3	
14	1401350350	CHECK VALVE	1	
16#	0483602750	O'RING (DRAIN COVER)	1	
17	1466330460	O'RING (CASING)	1	
19	1401330360	DELIVERY COVER PACKING	2	
20	0451290080	SPRING WASHER M8	3	
22	0631211159	FLOODING CAP, PF 1 1/2"	1	
23	0631211159	DRAIN CAP, PF1 1/2"	2	
24#	0803442930	MECHANICAL SEAL	1	
25#	0811885433	MECHANICAL SEAL SLEEVE	1	
26#	0852834525	ADJUST LINER, 45 x 25.4 MM T0.3	1	
27#	0852854525	ADJUST LINER, 45 x25.4 MM T0.5	1	
28	0131091065	CAP SCREW (CASING), M10 X 65	4	
29	0141050825	SCREW (DRAIN COVER SET HANDLE), M8 X 25	4	
30	0131151225	CAP SCREW (SUCTION COVER), M12 X 25	4	
31	0131190820	CAP SCREW (WEAR PLATE), M8 X 20	3	
32	0131151230	CAP SCREW (CASING), M12 X 30	6	
34	0520040451	KEY	1	
36	0451290070	SPRING WASHER, IMPELLER	1	
37	0107090645	BOLT, IMPELLER	1	
38	1466200270	HINGE BOLT M10 X 65	4	
39	1446220280	HINGE PIN	4	
40	1466251240	IMPELLER WASHER	1	
41	0458220100	SEAL WASHER (CASING COVER), M10	4	
46	0451290080	SPRING WASHER (VOLUTE CASING), M8	3	
47	0451250080	SPRING WASHER (DRAIN COVER HANDLE), M8	4	
51#	0481572500	O-RING (VOLUTE CASING)	1	
52	1466068050	CAP	1	
53	0742214100	STRAINER	1	
54	0131151220	CAP SCREW (DELIVERY COVER)	8	
63	KIT4TH	KIT, MECHANICAL SEAL, SLEEVE, O-RINGS.....	1	INCLUDES ITEMS W/ #

QP4TZTMP16F/QP4TZTMPXF DECALS

<u>NO.</u>	<u>PART NO.</u>	<u>PART NAME</u>	<u>QTY.</u>	<u>REMARKS</u>
1	27188	DECAL, DO NOT RUN	1	
2	DCS02	DECAL, PUMP SAFETY	1	
3	920203290	DECAL, CAUTION.....	1.....	NPA329
4	B9504500004	DECAL, WARNING	1	
5	29680	DECAL, MULTIPLE TRAILER, VIN	1	
6	29842	DECAL, TIRE LOADING	1	
7	49002	DECAL, TRLR HITCH/WHEEL WARNING	1	
8	1630680004	DECAL, DIESEL FUEL ONLY	1	
9	DCLQP4TZ	DECAL, FREQUENTLY CHECK OIL LEVEL	2	

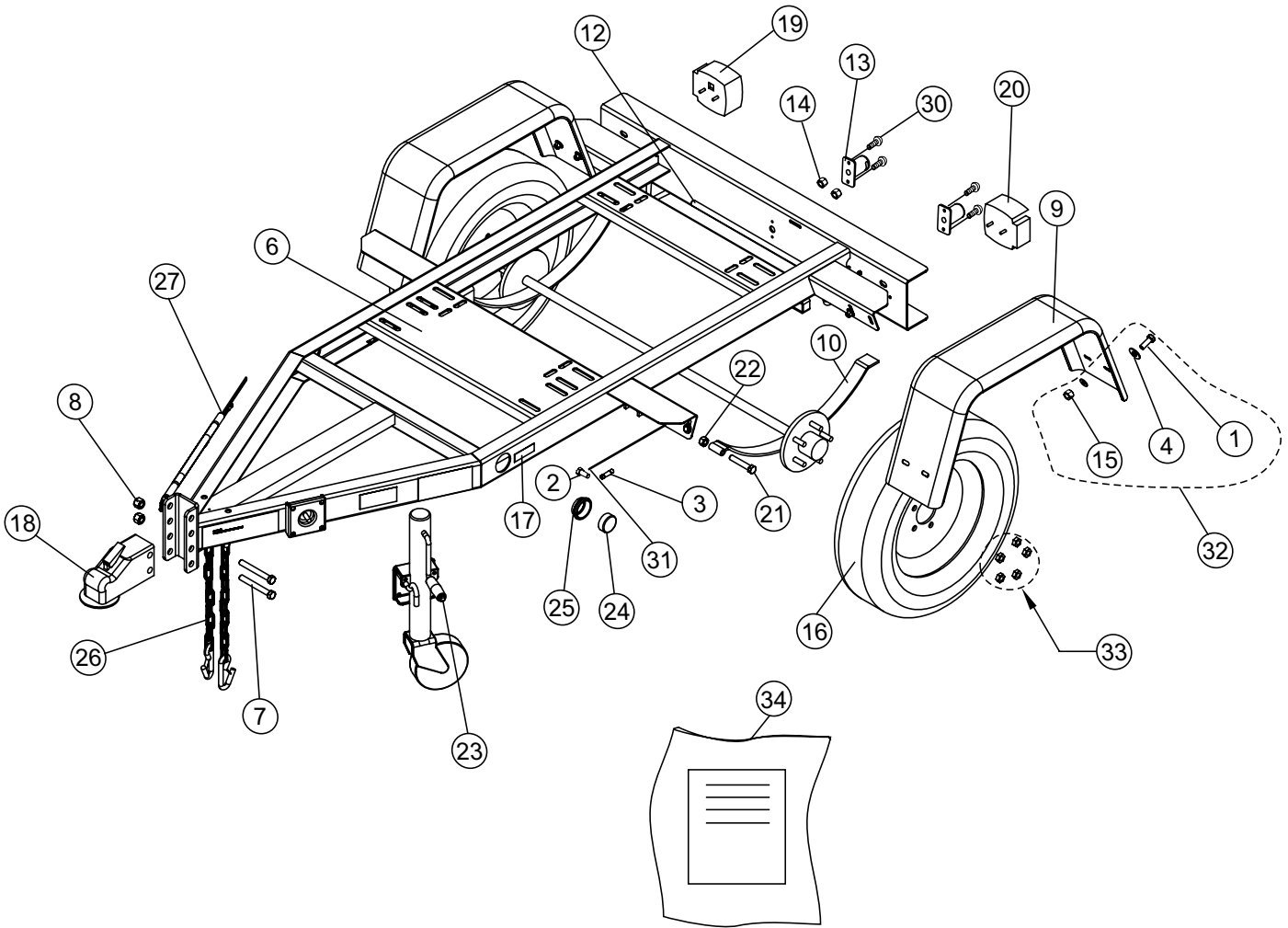
QP4TZT10P DECALS

<u>NO.</u>	<u>PART NO.</u>	<u>PART NAME</u>	<u>QTY.</u>	<u>REMARKS</u>
1	DCS02	DECAL, PUMP SAFETY	1	
2	920203290	DECAL, CAUTION	1	NPA329
3	B9504500004	DECAL, WARNING	1	
4	27188	DECAL, DO NOT RUN	1	
5	1630680004	DECAL, DIESEL FUEL ONLY	1	
6	9315	DECAL, TRAILER 10, VIN	1	
7	29842	DECAL, TIRE LOADING	1	
8	49002	DECAL, TRLR HITCH/WHEEL WARNING	1	
9	DCLQP4TZ	DECAL, FREQUENTLY CHECK OIL LEVEL	2	

TRAILER ASSY. (QP4TZTMP16F/QP4TZTMPXF)

<u>NO.</u>	<u>PART NO.</u>	<u>PART NAME</u>	<u>QTY.</u>	<u>REMARKS</u>
1	0205	SCREW, HHC 3/8 - 16 x 1	8	
2	4001	WASHER, FLAT USS 3/8 PLD	16	
3	9502	SCREW, HHC 5/8 - 11 x 4-1/2 GR8	2	
4	9503	NUT, NYLOC 5/8 - 11	2	
5	9505	FENDER, 8 x 30 x 13	2	
6	6\$%	NUT	4	
8	9514	LIGHT ASM., LICENSE PLATE	2	
9	10019	NUT, NYLOC 10-32	4	
10	10133	NUT, NYLOC 3/8 - 16	8	
13	29228	COUPLER, 2" BALL 600# GVWR	1	
14	29242	LIGHT, TAIL RT (CURB) SIDE M440	1	INCLUDES ITEMS W/ \$
15	29243	LIGHT, TAIL LT (ROAD) SIDE M440L	1	INCLUDES ITEMS W/ %
16	29247	SHACKLE, AXLE MOUNTING	4	
17	29248	SCREW, HHC 9/16 - 18	6	
18	29249	NUT, 9/16-18 AXLE MOUNTING, N-2	6	
19	29370	FRAME, W/ A TRLRMP	1	
21	29496	JACK, SIDEWIND 10", BOLT THRU	1	
22	29572	CHAIN ASSY., SAFETY 7600 LB	2	
26	29898	LIGHT, 2 - 1/2 SIDE MARKER, AMBER, 143A	2	
27	29900	GROMMET W/ WIRE KIT, 2 - 1/2", 14248K	2	
29	5065 B	SCREW, PHP 10 - 32 x 1/2	4	
31	29754	FENDER MOUNT KIT	1	
32	23297	MANUAL HOLDER, PICTOGRAPH SAE J232	1	
33	0202	SCREW, HHC 5/16-18X1	2	
34	0300 B	WASHER, FLAT 5/16 MED	4	
35	0161 C	WASHER, LOCK 5/16 MED	2	
36	5283	NUT, 5/16 X 18	2	

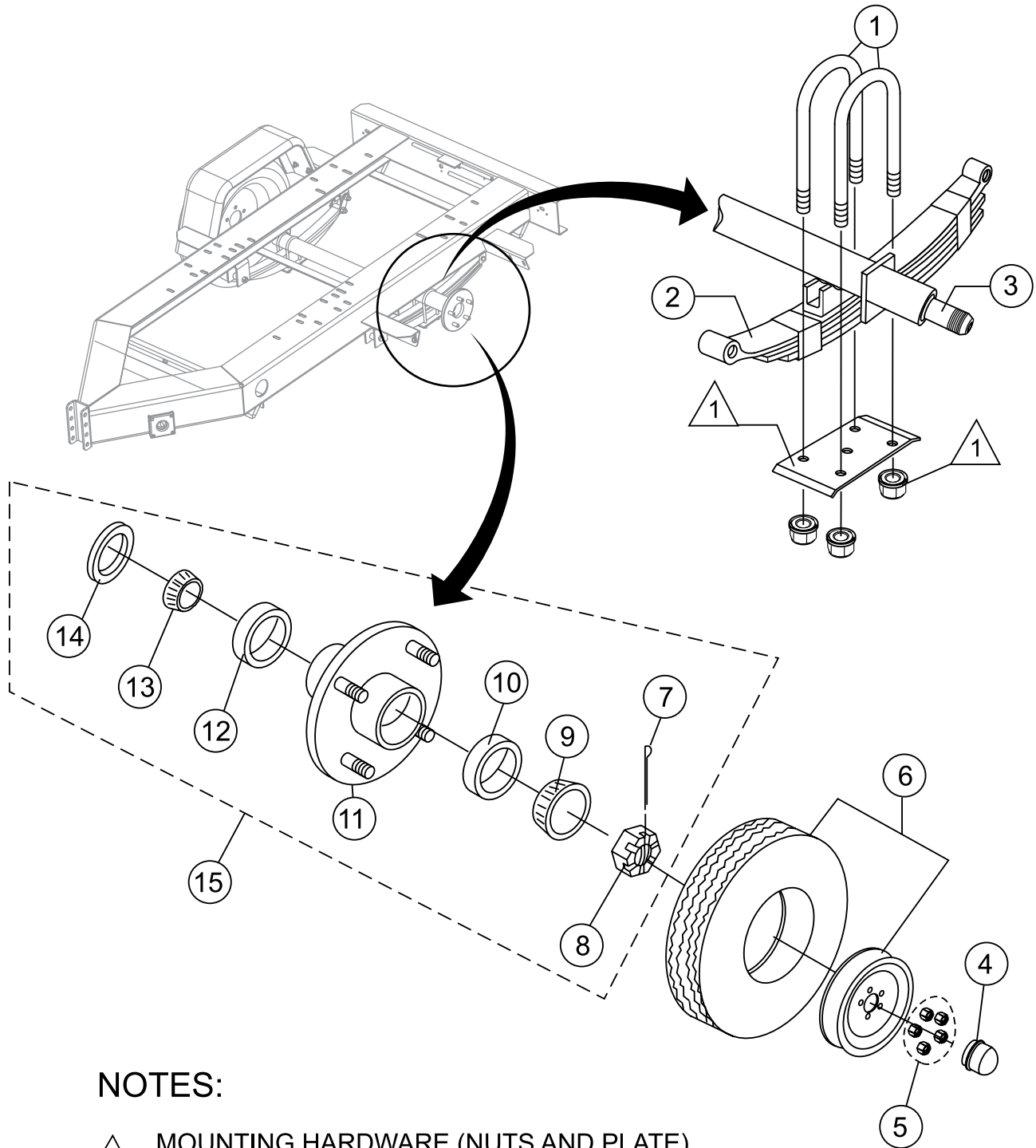
TRAILER ASSY. (TRLR10P)



TRAILER ASSY. (TRLR10P)

<u>NO.</u>	<u>PART NO.</u>	<u>PART NAME</u>	<u>QTY.</u>	<u>REMARKS</u>
1#	0205	SCREW, HHC 3/8-16 X 1.0	8	
2	1273	SCREW, HHST 8-32 X 3/8	2	
3	2540	CONNECTOR, BUTT SPLICE, 16-14	2	
4#	4001	WASHER, FLAT USS 3/8 PLD	16	
6	9500	FRAME, TRLR10W W/A	1	
7	9502	SCREW, HHC 5/8-11 X 4-1/2 GR8	2	
8	9503	NUT, NYLOC 5/8-11	2	
9	9505	FENDER, 8X30X13	2	
10	9506	AXLE SPRG ASSY, 43" HF, 27" SPRG CTR	1	
11	9509	SCREW, TEK 12 x 3/4 SELF TAP	1	
12	9512	INSULATOR, WIRING .50D X .31ID X .5L	8	
13	9514	LIGHT, LICENSE PLATE	2	
14	10019	NUT, NYLOC 10-32	4	
15#	10133	NUT, NYLOC 3/8-16	8	
16	EE45318	WHEEL ASSY, ST175/80 D13, LOAD RATE C	2	
17	29158	REFLECTOR, AMBER, PETERSON B491A	2	
18	29228	COUPLER, 2" BALL 6000#GVWR	1	
19	29242	LIGHT, TAIL RT (CURB) SIDE(M440)	1	
20	29243	LIGHT, TAIL LT (ROAD) SIDE(M440L)	1	
21	29248	SCREW, HHC 9/16-18 x 3.0, AXLE MOUNT	2	
22	29249	NUT, HEX AXLE 9/16-18 N-2	2	
23	29496	JACK, SIDEWIND 10", BOLT-ON 1/2 PIN	1	
24	29563	LIGHT, 2" ROUND AMBER M146A	2	
25	29564	GROMMET/WIRE KIT, 2", 24146-18K	2	
26	29572	CHAIN ASSY, SAFETY 7600 LB	2	
27	29784	HARNESS, TRLR, 48" LOOM	1	
30	5065 B	SCREW, PHP 10-32 X 1/2	4	
31	60018	WIRE, 16 GA. BROWN, SAE J1128	3	
32	29754	KIT, HARDWARE, FENDER MOUNT	1.....	INCLUDES ITEMS W/ #
33	29755	KIT, HARDWARE, LUG NUT	1	
34	2764	BAG, OPERATION AND PARTS MANUAL	1	

AXLE ASSY.



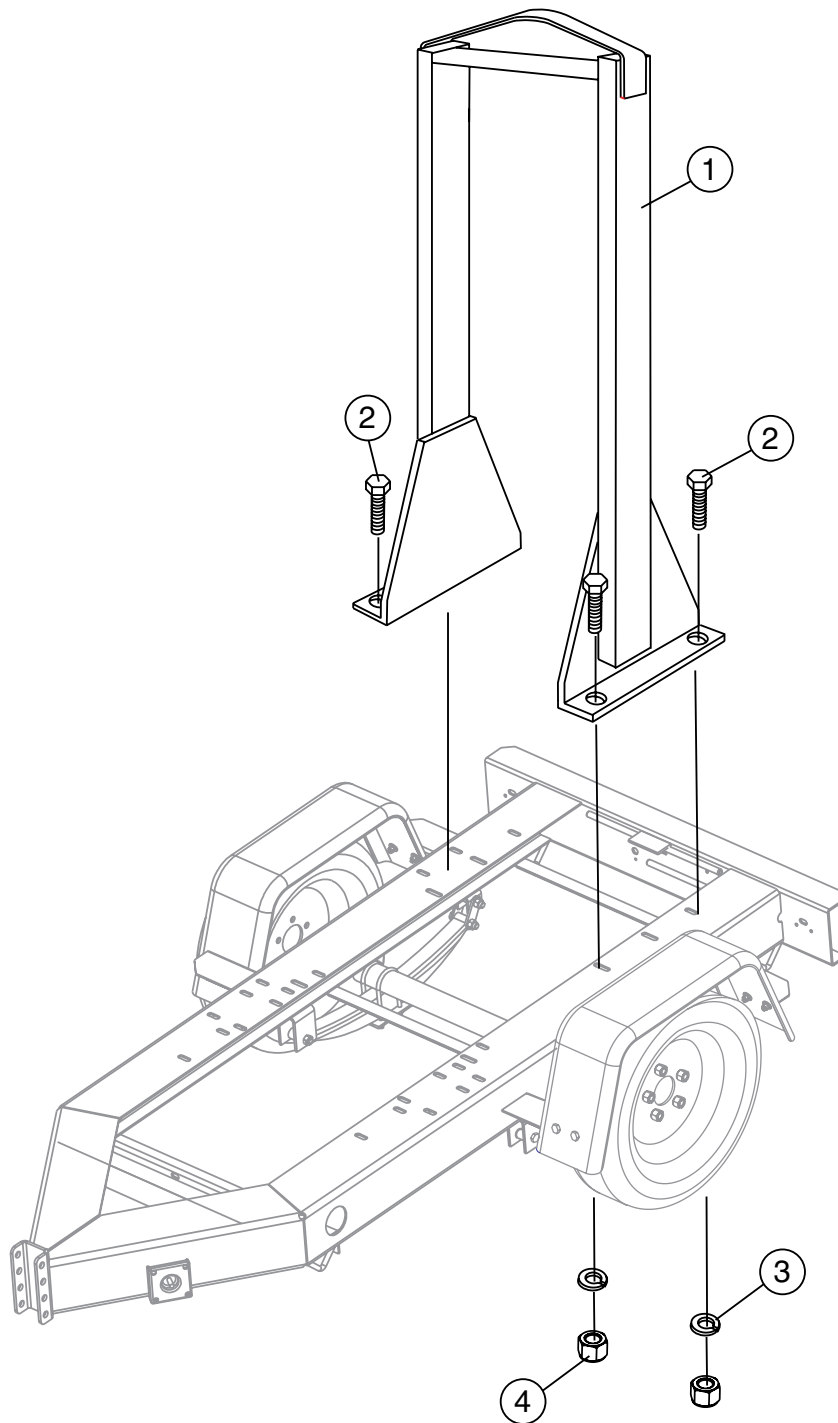
NOTES:

- △ 1 MOUNTING HARDWARE (NUTS AND PLATE)
INCLUDED WITH U-BOLTS (ITEM 1).

AXLE ASSY.

<u>NO.</u>	<u>PART NO.</u>	<u>PART NAME</u>	<u>QTY.</u>	<u>REMARKS</u>
1	29381U	KIT, U-BOLT	4	
2	29381S	SPRING, 4 LEAF 25.25	2	
3	29381B	AXLE BEAM	1	
4	46749	DUST CAP.....	2.....	HENDERSON
5	29755	LUG NUT KIT	1	
6	EE45318	WHEEL ASSY, ST175/80 D13	2	
7%	491688	COTTER PIN	1	
8%	114	SPINDLE NUT	1.....	HENDERSON
9%	L44649	OUTER BEARING CONE.....	1.....	HENDERSON
10%	L44610	OUTER BEARING CUP.....	1.....	HENDERSON
11%	10-215S	IDLER HUB, 5 X 4.5"	1.....	HENDERSON
12%	L68111	INNER BEARING CUP	1.....	HENDERSON
13%	L68149	INNER BEARING CONE	1.....	HENDERSON
14%	58846	GREASE SEAL.....	1.....	HENDERSON
15	29381H	HUB KIT	1.....	INCLUDES ITEMS W/ %

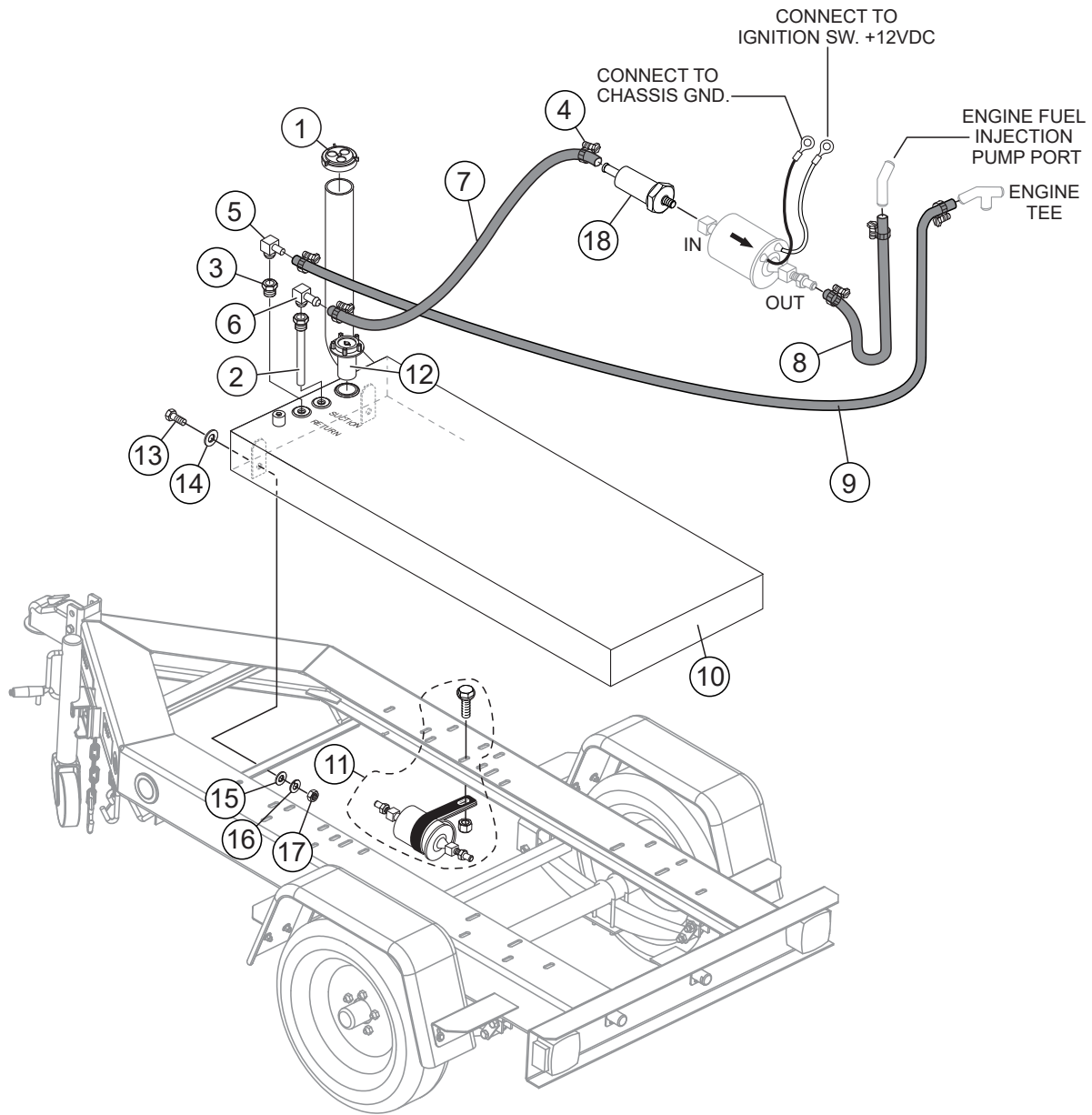
LIFTING BAIL ASSY. (QP4TZTMP16F/QP4TZTMPXF)



LIFTING BAIL ASSY. (QP4TZTMP16F/QP4TZTMPXF)

<u>NO.</u>	<u>PART NO.</u>	<u>PART NAME</u>	<u>QTY.</u>	<u>REMARKS</u>
1	MPQ102	LIFTING BAIL	1	
2	0105051640	BOLT 3/4-10 X 2 GRD 8	4	
3	030216400	WASHER, 3/4	4	
4	020316130	NUT, 3/4 X 10	4	

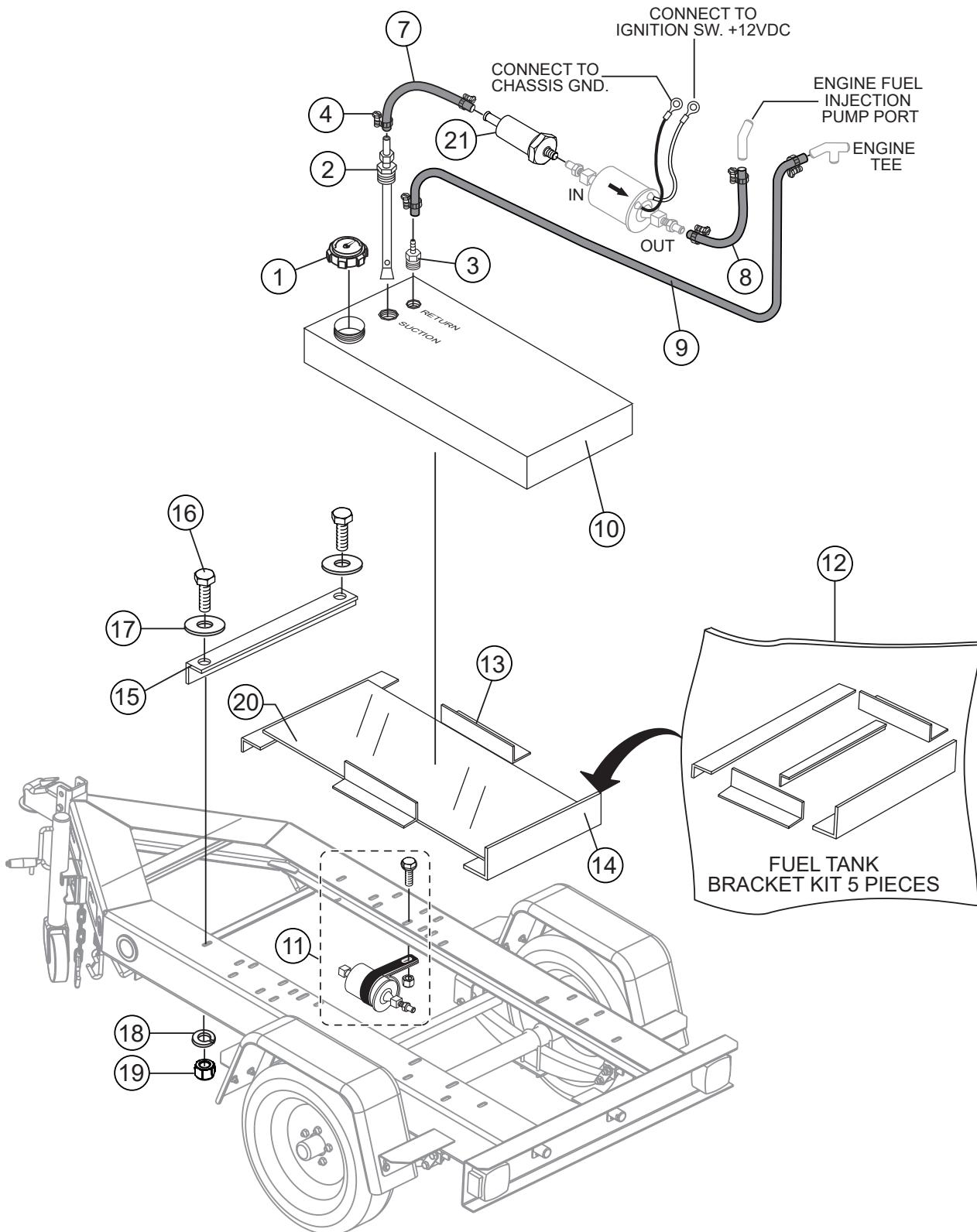
FUEL ASSY. (QP4TZTMPXF)



FUEL ASSY. (QP4TZTMPXF)

<u>NO.</u>	<u>PART NO.</u>	<u>PART NAME</u>	<u>QTY.</u>	<u>REMARKS</u>
1	7V3177002	CAP	1	
2	PICKUPTUBE	PICK UP TUBE	1	
3	5284	BUSHING, HEX PIPE 3/8 X 1/4"BRASS	1	
4	6109152	CLAMP	7	
5	6109204	FITTING, HOSE	1	
6	84454	ELBOW BRASS 1/4 MALE NPT	2	
7	60028	FUEL HOSE 5/16, 25"	1	
8	6635BULK	FUEL HOSE 1/4, 28"	1	
9	6635BULK	FUEL HOSE 1/4, 65"	1	
10	EE55144	TANK, FUEL 28 GAL.	1	
11	EM14401	FUEL PUMP	1	
12	31223FG	FUEL GAUGE	1	
13	6109210	BOLT, 1/2-13 X 1-1/2"	2	
14	13211	WASHER, FLAT 1/2 X 1-1/4 USS	2	
15	6109170	WASHER, FLAT 1/2 X 1	2	
16	6109810	WASHER, LOCK 1/2"	2	
17	6109160	NUT, 1/2"	2	
18	FEP735	FILTER, INLINE	1	

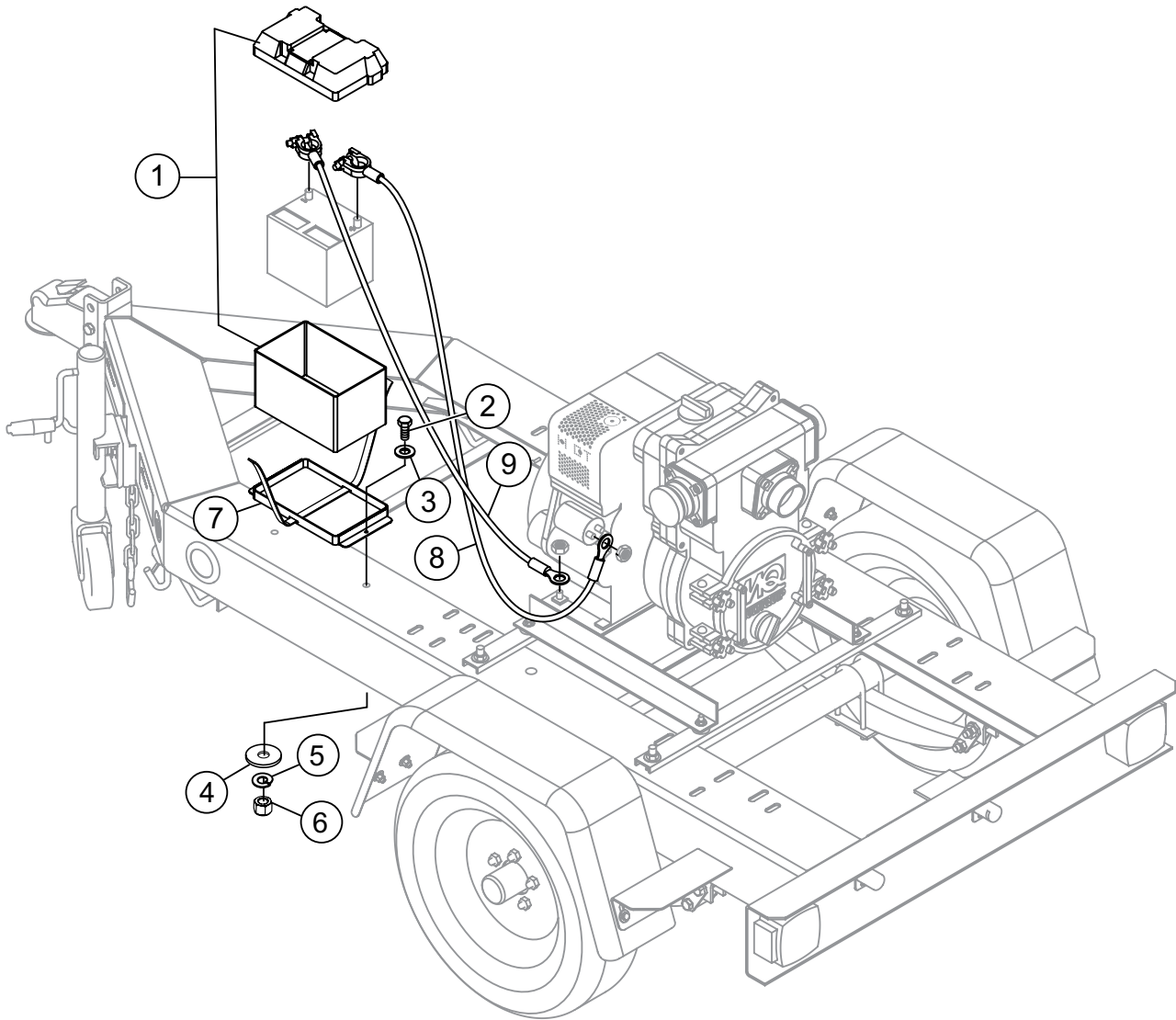
FUEL ASSY. (QP4TZTMP16F)



FUEL ASSY. (QP4TZTMP16F)

<u>NO.</u>	<u>PART NO.</u>	<u>PART NAME</u>	<u>QTY.</u>	<u>REMARKS</u>
1	19340	FUEL GAUGE	1	
2	19089	TUBE, TANK SUCTION	1	
3	19086	FITTING, STR-1/4MP	1	
4	6109152	CLAMP	9	
7	6635BULK	FUEL HOSE, 25"	1	
8	6635BULK	FUEL HOSE, 28"	1	
9	6635BULK	FUEL HOSE, 60"	1	
10	19029	TANK, FUEL 16 GAL.	1	
11	EM14401	FUEL PUMP	1	
12	ANGLEKIT16F	ANGLE KIT	1	INCLUDES ITEMS W/ #
13	34577#	ANGLE, 2X2X1/8X13" MILD BLACK STEEL	2	
14	34590#	ANGLE, 2X2X1/8X32" MILD BLACK STEEL	2	
15	34591#	ANGLE, 1X1X1/8X26" MILD BLACK STEEL	1	
16	0202	BOLT, 5/16X18X1	2	
17	3233	WASHER, FENDER 3/8X1-1/2"	2	
18	0161 C	WASHER, LOCK 5/16 MED	2	
19	2105164	NUT, 5/16-18	2	
20	34592	SHEET, STEEL 1/16X45X15-3/4 IN.	1	
21	FEP735	FILTER, INLINE	1	

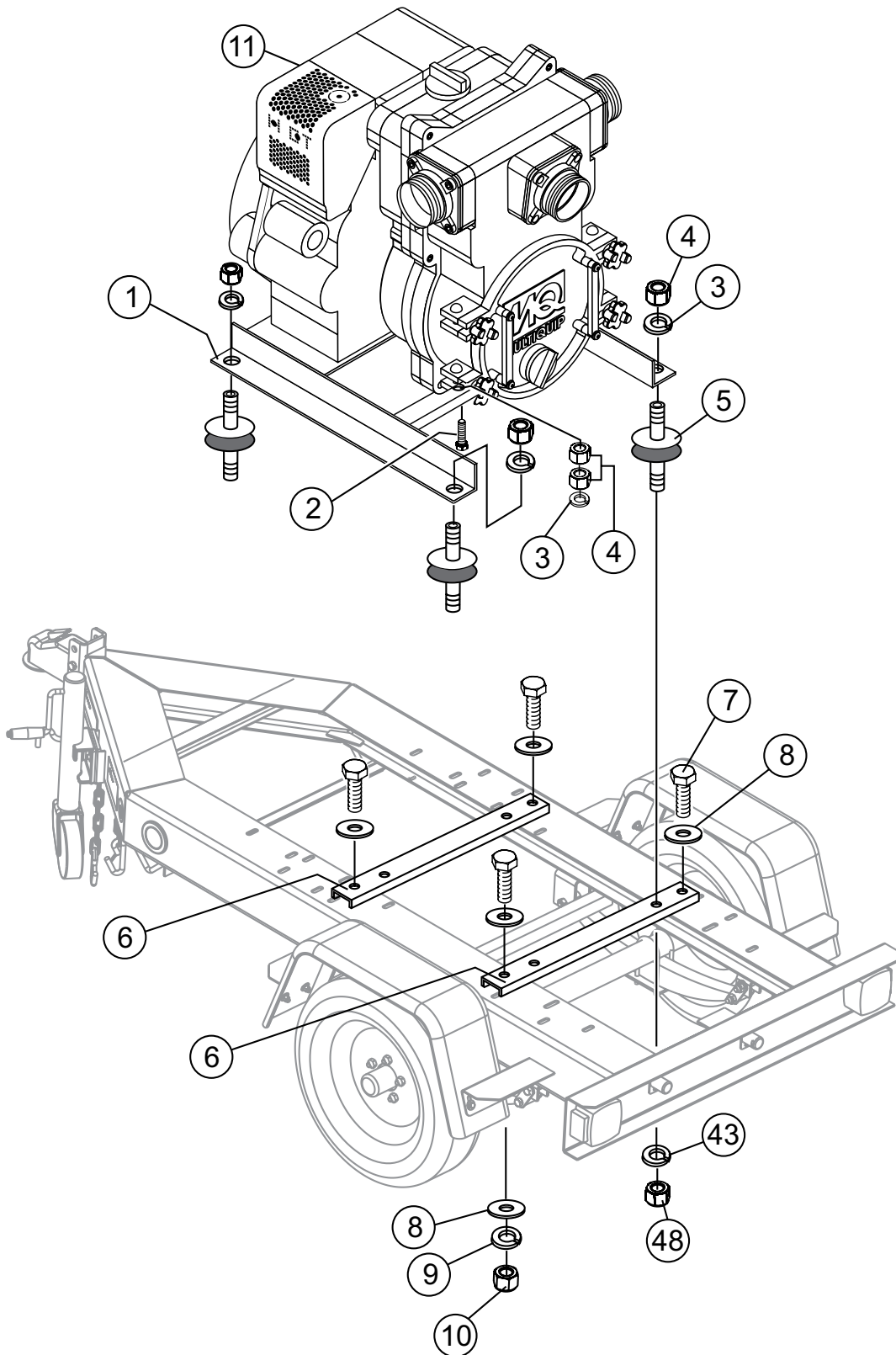
BATTERY ASSY. (QP4TZTMP16F/QP4TZTMPXF)



BATTERY ASSY. (QP4TZTMP16F/QP4TZTMPXF)

<u>NO.</u>	<u>PART NO.</u>	<u>PART NAME</u>	<u>QTY.</u>	<u>REMARKS</u>
1	34506	BATTERY BOX	1	
2	0202	SCREW, HHC 5/16-18X1	2	
3	0300 B	WASHER, FLAT 5/16 MED	2	
4	3233	WASHER, FENDER 3/8 X 1 1/2	2	
5	0161 C	WASHER, LOCK 5/16 MED	2	
6	2105164	NUT, 5/16 X 18	2	
7	34584	BRACKET, BATTERY	1	
8	34597	POSITIVE BATTERY CABLE	1	
9	34596	NEGATIVE BATTERY CABLE	1	

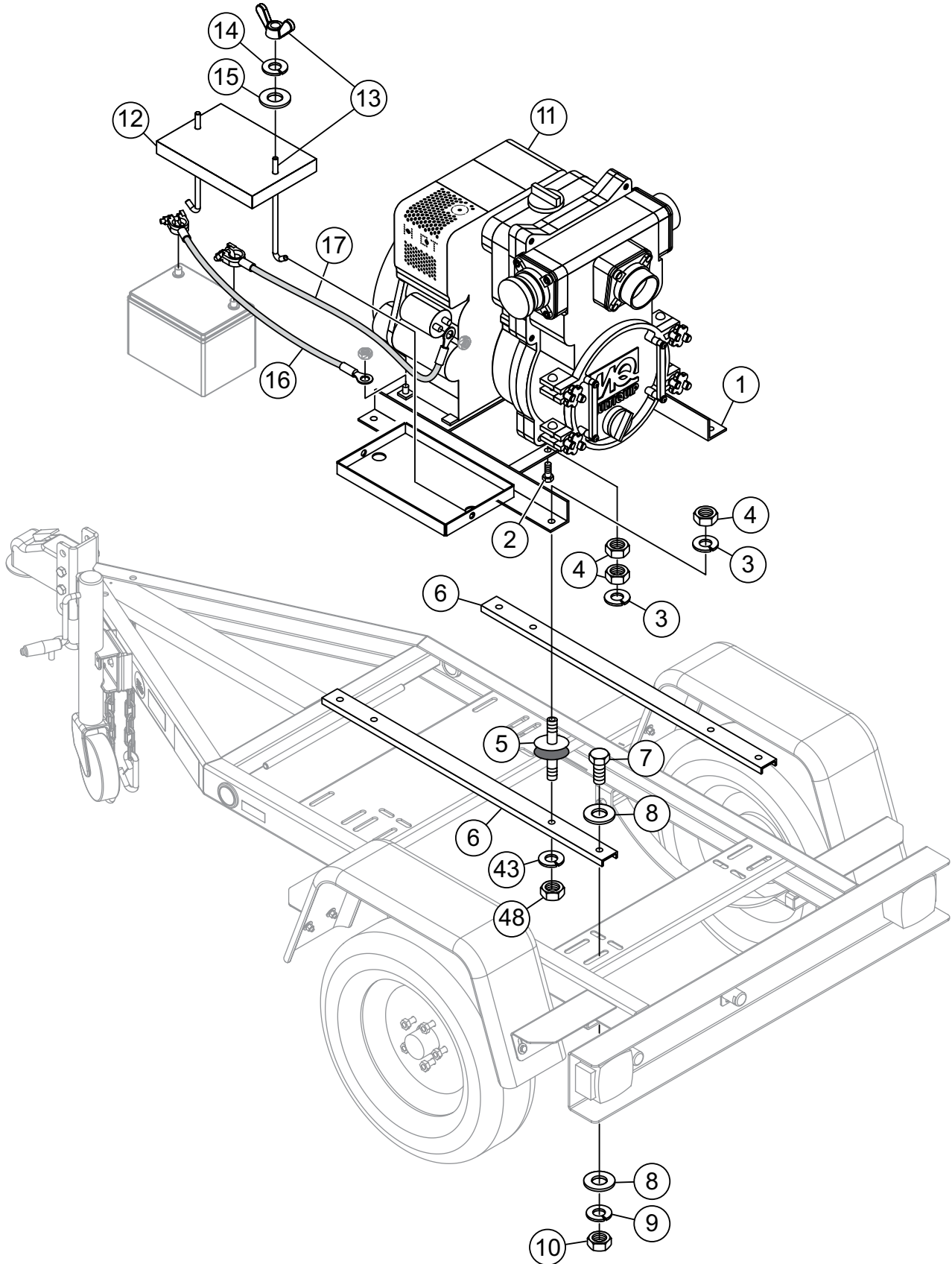
PUMP ASSY. (QP4TZTMP16F/QP4TZTMPXF)



PUMP ASSY. (QP4TZTMP16F/QP4TZTMPXF)

<u>NO.</u>	<u>PART NO.</u>	<u>PART NAME</u>	<u>QTY.</u>	<u>REMARKS</u>
1	24592140210014	ENGINE BASE (NO BATTERY TRAY)	1	
2	0105051040	BOLT (PUMP), M10 X 40	2	
3	0451250100	WASHER, LOCK M10	6	
4	0205450100	NUT, M10	8	
5	0723302546	CUSHION RUBBER	4	
6	29175	BRACKET, CHANNEL	2	
7	6109184	BOLT, HEX 1/2-13 X 2-1/2	4	
8	6109170	WASHER, FLAT 1/2"	8	
9	6109180	WASHER, LOCK 1/2"	4	
10	6109160	NUT, HEX 1/2-13	4	
11	1B40U-2203A	ENGINE, HATZ	1	

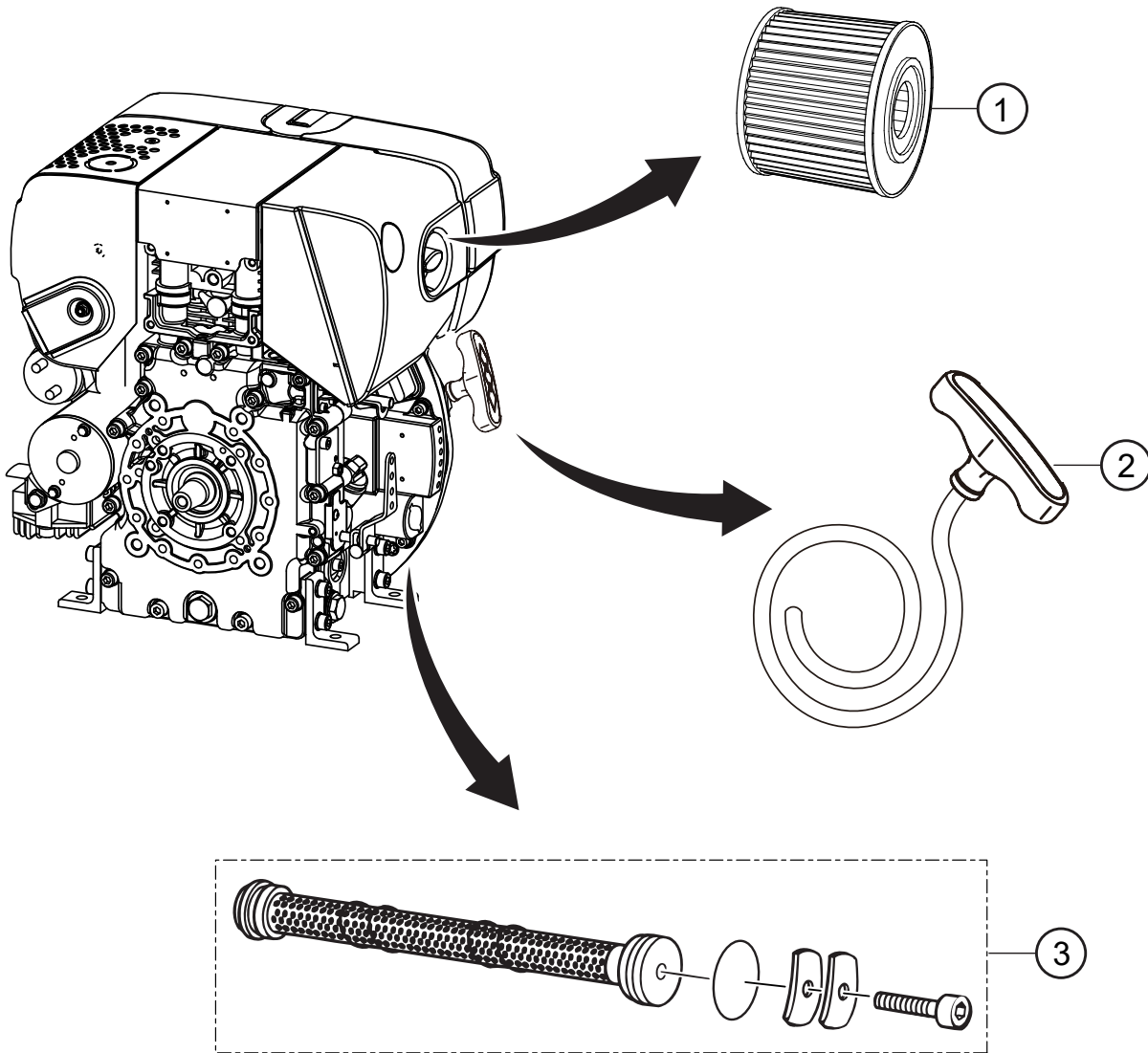
PUMP AND BATTERY ASSY. (QP4TZT10P)



PUMP AND BATTERY ASSY. (QP4TZT10P)

<u>NO.</u>	<u>PART NO.</u>	<u>PART NAME</u>	<u>QTY.</u>	<u>REMARKS</u>
1	14712140200014	ENGINE BASE, SS400	1	
2	0105051040	BOLT (PUMP), M10 X 40	2	
3	0451250100	WASHER, LOCK M10	6	
4	0205450100	NUT, M10	8	
5	0723302546	CUSHION RUBBER	4	
6	29175	BRACKET, CHANNEL	2	
7	6109184	BOLT, HEX 1/2-13 X 2-1/2	4	
8	6109170	WASHER, FLAT 1/2"	8	
9	6109180	WASHER, LOCK 1/2"	4	
10	6109160	NUT, HEX 1/2-13	4	
11	1B40U-2203A	ENGINE, HATZ	1	
12	09592250000014	COVER, BATTERY	1	
13	0950241265AP002	BOLT WITH NUT, BATTERY	2	
14	0451250080	SPRING WASHER, BATTERY	2	
15	0401450080	WASHER, BATTERY	2	
16	0975209300	NEGATIVE BATTERY CABLE	1	
17	0976209450	POSITIVE BATTERY CABLE	1	

ENGINE SERVICE PARTS



ENGINE SERVICE PARTS

<u>NO.</u>	<u>PART NO.</u>	<u>PART NAME</u>	<u>QTY.</u>	<u>REMARKS</u>
5	50484101	AIR FILTER ELEMENT	1	
5	01497800	HANDLE ASSY., RECOIL	1	
5	01542702	OIL SUCTION FILTER ASSY.	1	

PARTS MANUAL

HERE'S HOW TO GET HELP

PLEASE HAVE THE MODEL AND SERIAL
NUMBER ON-HAND WHEN CALLING

UNITED STATES

Multiquip Inc.

(310) 537- 3700
6141 Katella Avenue Suite 200
Cypress, CA 90630
E-MAIL: mq@multiquip.com
WEBSITE: www.multiquip.com

CANADA

Multiquip

(450) 625-2244
4110 Industriel Boul.
Laval, Quebec, Canada H7L 6V3
E-MAIL: infocanada@multiquip.com

UNITED KINGDOM

Multiquip (UK) Limited Head Office

0161 339 2223
Unit 2, Northpoint Industrial Estate,
Globe Lane,
Dukinfield, Cheshire SK16 4UJ
E-MAIL: sales@multiquip.co.uk

© COPYRIGHT 2022, MULTIQUIP INC.

Multiquip Inc, the MQ logo are registered trademarks of Multiquip Inc. and may not be used, reproduced, or altered without written permission. All other trademarks are the property of their respective owners and used with permission.

This manual MUST accompany the equipment at all times. This manual is considered a permanent part of the equipment and should remain with the unit if resold.

The information and specifications included in this publication were in effect at the time of approval for printing. Illustrations, descriptions, references and technical data contained in this manual are for guidance only and may not be considered as binding. Multiquip Inc. reserves the right to discontinue or change specifications, design or the information published in this publication at any time without notice and without incurring any obligations.

Your Local Dealer is:

