

# PARTS MANUAL



## **MODEL STXDF HYDRAULIC RIDE-ON TROWEL (FORD 2.5L DUAL FUEL GAS/PROPANE ENGINE)**

Revision #26 (04/27/26)

To find the latest revision of this publication or associated operation manual, visit our website at: [www.multiquip.com](http://www.multiquip.com)



**PN: 13414**

# TABLE OF CONTENTS

## STXDF Ride-On Trowel

Explanation of Code in Remarks Column.....	4
Suggested Spare Parts .....	5

### Component Drawings

Nameplate and Decals Assembly.....	6-7
Left Frame Console Assembly.....	8-9
Right Frame Console Assembly .....	10-11
Frame and Platform Assembly .....	12-13
Cowling Assembly .....	14-15
Seat Frame Assembly .....	16-17
Document Holder Assembly .....	18-19
Lifting Assembly.....	20-21
Electrical Control Panel Assembly.....	22-23
Pivot Assembly .....	24-25
Hydraulic Steering Assembly.....	26-27
Hydraulic Motor Assembly .....	28-29
Heat Exchanger Assembly (Left and Right).....	30-31
Hydraulic Pump Assembly.....	32-33
Hydraulic Hose Kit Assembly (Complete).....	34-35
Hyd. Hose Assembly (Hyd. Motors).....	36-37
Hyd. Hose Assembly (Hyd. Steering Valves #1) .	38-39

Hyd. Hose Assembly (Hyd. Steering Valves #2) .	40-41
Hyd. Hose Assembly (Hyd. Tank and Coolers) .	42-43
Hyd. Hose Assembly (Hyd. Filter/Pr. Regulator)..	44-45
Manifold Assembly.....	46-47
Crossmember Assembly.....	48-49
Hydraulic Filter Assembly .....	50-51
Lights Assembly.....	52-53
Left-Hand Steering Valve Assembly .....	54-55
Right-Hand Steering Valve Assembly .....	56-57
Stabilizer Assembly .....	58-59
6-Blade Spider Assembly (Left-Side).....	60-61
6-Blade Spider Assembly (Right-Side) .....	62-63
Spray Assembly.....	64-65
Engine Mounting Assembly .....	66-67
Exhaust Assembly .....	68-69
Air Cleaner Assembly .....	70-71
Fuel Tank Assembly.....	72-73
Fuel Pump Assembly.....	74-75
Battery Assembly.....	76-77
Radiator Assembly.....	78-79
LPG Fuel System Assembly .....	80-81
Harness Assembly.....	82-87

### NOTICE

Specifications and part numbers are subject to change without notice.



# EXPLANATION OF CODE IN REMARKS COLUMN

The following section explains the different symbols and remarks used in the Parts section of this manual. Use the help numbers found on the back page of the manual if there are any questions.

## NOTICE

The contents and part numbers listed in the parts section are subject to change without notice. Multiquip does not guarantee the availability of the parts listed.

## SAMPLE PARTS LIST

NO.	PART NO.	PART NAME	QTY.	REMARKS
1	12345	BOLT .....	1	INCLUDES ITEMS W/%
2%		WASHER, 1/4 IN. ....		NOT SOLD SEPARATELY
2%	12347	WASHER, 3/8 IN. ...	1	MQ-45T ONLY
3	12348	HOSE .....	A/R	MAKE LOCALLY
4	12349	BEARING .....	1	S/N 2345B AND ABOVE

## NO. Column

**Unique Symbols** — All items with same unique symbol (@, #, +, %, or >) in the number column belong to the same assembly or kit, which is indicated by a note in the “Remarks” column.

**Duplicate Item Numbers** — Duplicate numbers indicate multiple part numbers, which are in effect for the same general item, such as different size saw blade guards in use or a part that has been updated on newer versions of the same machine.

## NOTICE

When ordering a part that has more than one item number listed, check the remarks column for help in determining the proper part to order.

## PART NO. Column

**Numbers Used** — Part numbers can be indicated by a number, a blank entry, or TBD.

TBD (To Be Determined) is generally used to show a part that has not been assigned a formal part number at the time of publication.

A blank entry generally indicates that the item is not sold separately or is not sold by Multiquip. Other entries will be clarified in the “Remarks” Column.

## QTY. Column

**Numbers Used** — Item quantity can be indicated by a number, a blank entry, or A/R.

A/R (As Required) is generally used for hoses or other parts that are sold in bulk and cut to length.

A blank entry generally indicates that the item is not sold separately. Other entries will be clarified in the “Remarks” Column.

## REMARKS Column

Some of the most common notes found in the “Remarks” Column are listed below. Other additional notes needed to describe the item can also be shown.

**Assembly/Kit** — All items on the parts list with the same unique symbol will be included when this item is purchased.

Indicated by:

“INCLUDES ITEMS W/(unique symbol)”

**Serial Number Break** — Used to list an effective serial number range where a particular part is used.

Indicated by:

“S/N XXXXX AND BELOW”

“S/N XXXX AND ABOVE”

“S/N XXXX TO S/N XXX”

**Specific Model Number Use** — Indicates that the part is used only with the specific model number or model number variant listed. It can also be used to show a part is NOT used on a specific model or model number variant.

Indicated by:

“XXXXX ONLY”

“NOT USED ON XXXX”

**“Make/Obtain Locally”** — Indicates that the part can be purchased at any hardware shop or made out of available items. Examples include battery cables, shims, and certain washers and nuts.

**“Not Sold Separately”** — Indicates that an item cannot be purchased as a separate item and is either part of an assembly/kit that can be purchased, or is not available for sale through Multiquip.

## SUGGESTED SPARE PARTS

### STXDF RIDE-ON TROWEL

1 to 3 units

Qty.	P/N	Description
1.....	43133-02 .....	HYD. OIL TANK CAP
1.....	43133-01 .....	HYD. OIL TEMP. SENSOR
1.....	22725-200 .....	FUSE, 20 AMP, J CASE
1.....	22725-600 .....	FUSE, 60 AMP, J CASE
1.....	23959.....	SWITCH, IGNITION
1.....	23959-01 .....	SWITCH, IGNITION KEY
1.....	42616-1 .....	ELEMENT, MED. PR. FILTER

### FORD 2.5L GAS/PROPANE ENGINE

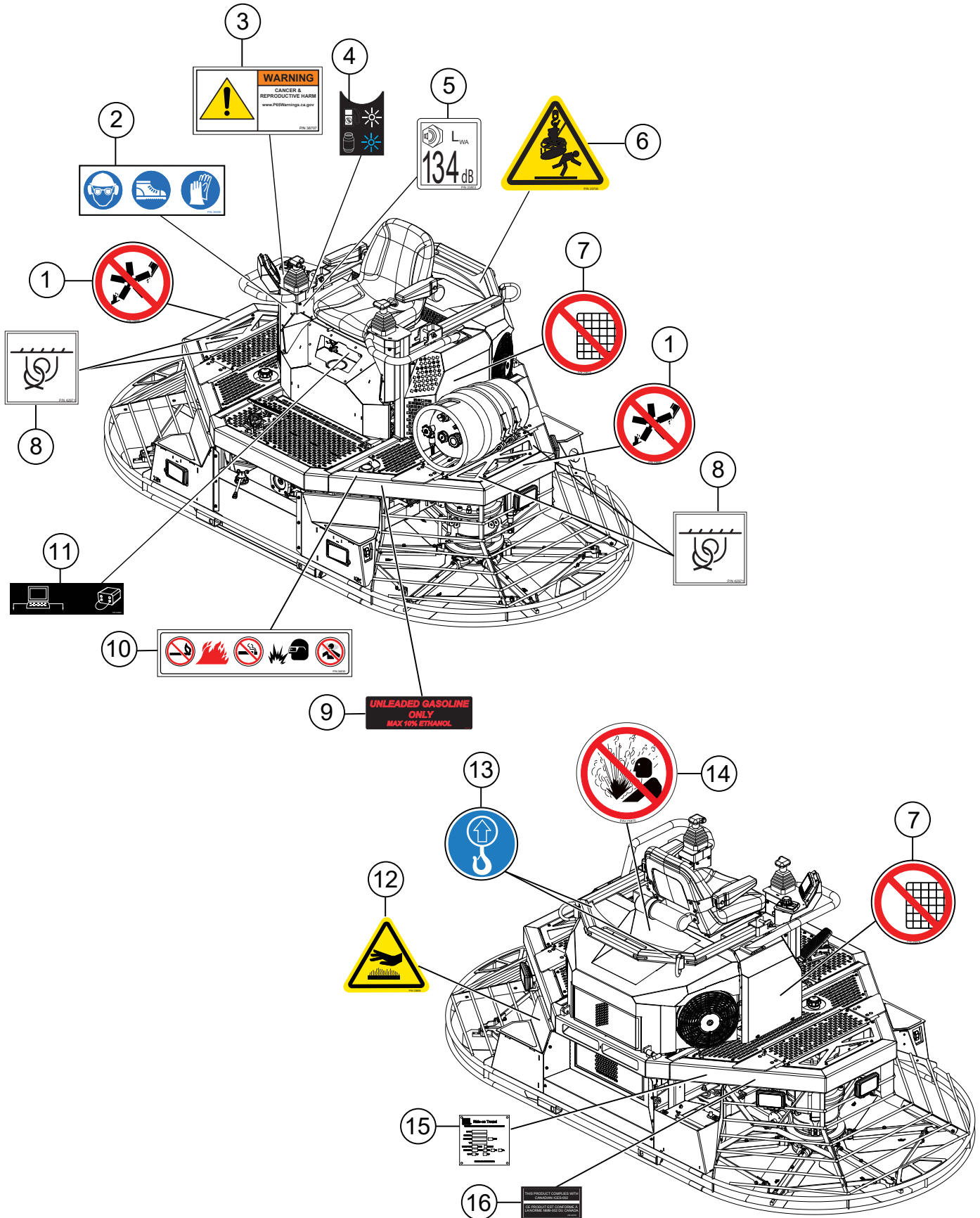
1 to 3 units

Qty.	P/N	Description
1.....	43140-04 .....	FUEL FILTER
4.....	43140-13 .....	SPARK PLUG
1.....	43140-14 .....	OIL PRESSURE SWITCH
1.....	43140-18 .....	COOLANT TEMP SENSOR
4.....	43140-35 .....	BELT, FEAD
1.....	43140-43 .....	OIL PRESSURE SWITCH
2.....	43140-53 .....	FUEL PUMP/POWER RELAYS
1.....	43140-54 .....	STARTER RELAY
1.....	43140-55 .....	STARTER FUSE 20 AMP
1.....	43140-57 .....	FAN BELT
1.....	43140-67 .....	OIL FILL CAP
1.....	43140-69 .....	RADIATOR CAP
1.....	43140-79 .....	RADIATOR BOTTLE
1.....	43140-88 .....	RADIATOR HOSE, UPPER
1.....	43140-82 .....	RADIATOR HOSE, LOWER
1.....	42037.....	FILTER, AIR
2.....	43140-42 .....	FILTER, OIL

#### NOTICE

Part numbers on this Suggested Spare Parts list may supersede/replace the part numbers shown in the following parts lists.

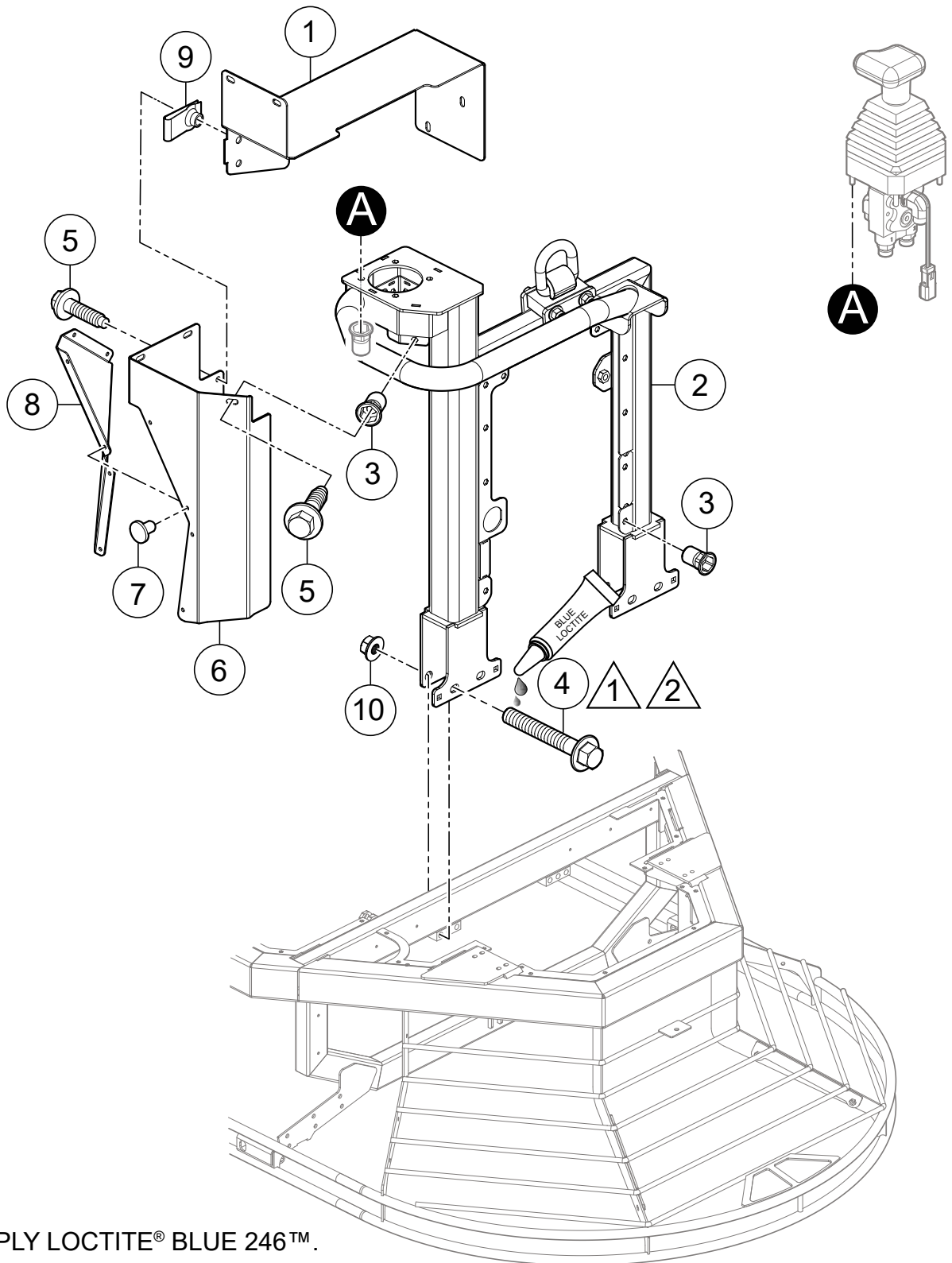
# NAMEPLATE AND DECALS ASSY.



## NAMEPLATE AND DECALS ASSY.

<u>NO.</u>	<u>PART NO.</u>	<u>PART NAME</u>	<u>QTY.</u>	<u>REMARKS</u>
1	23698	DECAL ISO, ROTATING BLADE HAZARD	2	
2	36099	DECAL ISO, PROTECTIVE CLOTHING, 3.50" X 1.13"	1	
3	38707	DECAL, CANCER AND REPRODUCTIVE HARM	1	
4	43739	DECAL, PUSH BUTTON FUEL SELECTOR	1	
5	23803-134	DECAL, GUARANTEED SOUND POWER LEVEL	1	
6	23700	DECAL ISO, LIFTING/CRUSH, 2.4" X 2.0"	1	
7	23874	DECAL ISO, DO NOT REMOVE GUARDS, HAZARD	2	
8	42971	DECAL ISO, TIE-DOWN	4	
9	23587	UNLEADED GASOLINE ONLY MAX 10% ETHANOL	1	
10	34630	DECAL ISO, FIRE, EXPLOSION, SMOKING HAZARD	1	
11	42595	DECAL, SERVICE TOOL, JUMPER	1	
12	23808	DECAL ISO, HOT SURFACE HAZARD	1	
13	34626	DECAL ISO, LIFTING POINT, 2.00" DIA.	2	
14	23875	DECAL ISO, HOT COOLANT, 2.00" DIA.	1	
15	46245-2	SN TAG, CE ROT .....	1	..... CONTACT MQ PARTS
16	32578	DECAL, CANADIAN COMPLIANCE	1	

# LEFT FRAME CONSOLE ASSY.



## NOTES:

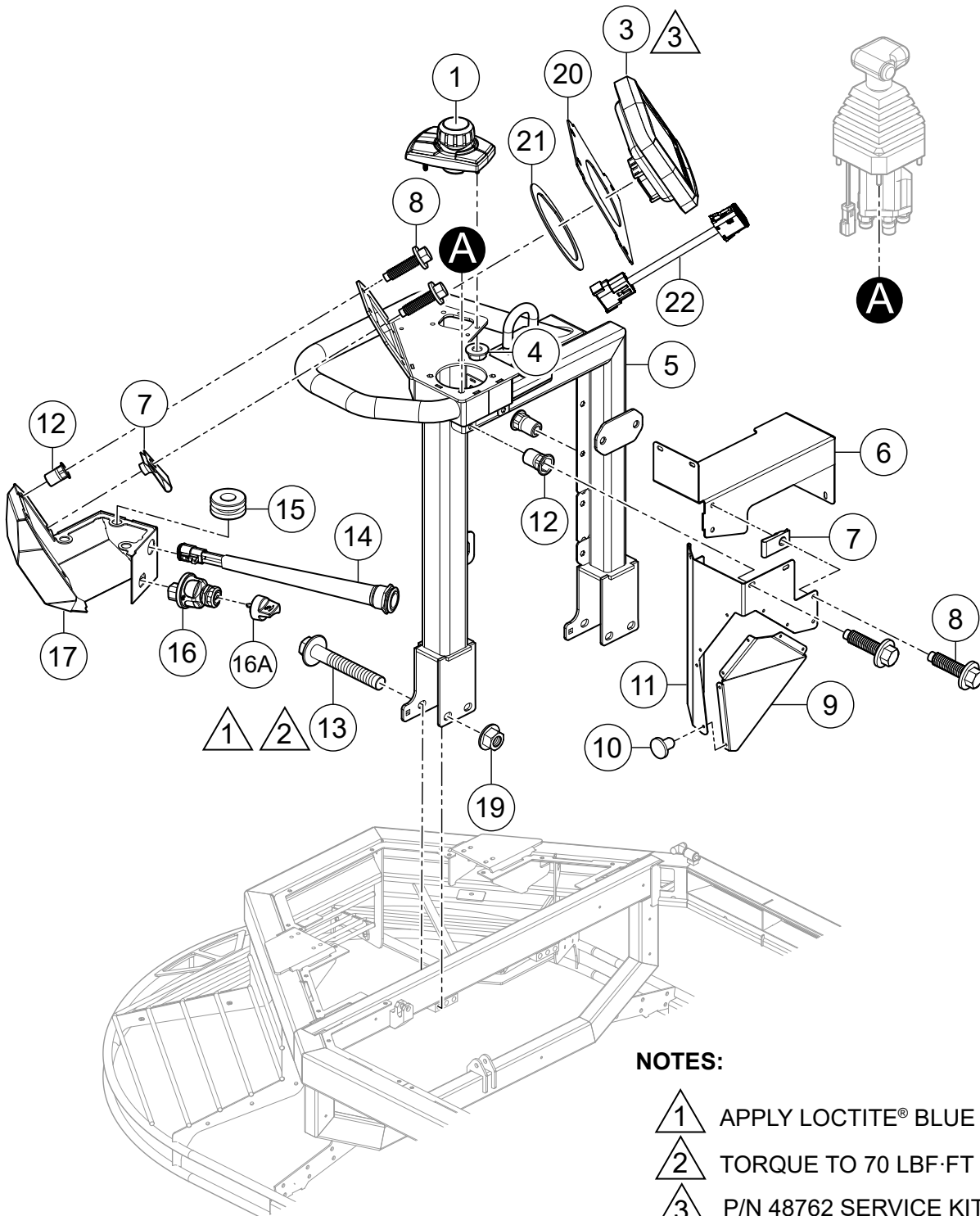
- 1 APPLY LOCTITE® BLUE 246™.
- 2 TORQUE TO 70 LBF·FT (95 N·M).

## LEFT FRAME CONSOLE ASSY.



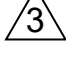
---

<u>NO.</u>	<u>PART NO.</u>	<u>PART NAME</u>	<u>QTY.</u>	<u>REMARKS</u>
1	43633	COVER, LEFT INTERIOR	1	
2	43371	FRAME, LIFT -L	1	
3	42496	NUT, BLIND HEX M6-1.0	15	
4	9176	SCREW, HHF M12-1.75 X 80MM GR10.9	4	
5	42325	SCREW, HHC, M6-1.0 X 20, CAPTIVE WASHER	9	
6	43635	COVER, LEFT JOYSTICK HOSE	1	
7	19847	RIVET, POP, ALUM, 3/16 X 1/8-1/4	6	
8	43637	PANEL, LEFT JOYSTICK FILL	1	
9	32916	NUT, U-STYLE, M6-1 X 0.8 - 4MM, BK	2	
10	42451	NUT, HEX. SERRATED-FLANGE M12-1.75	4	

# RIGHT FRAME CONSOLE ASSY.



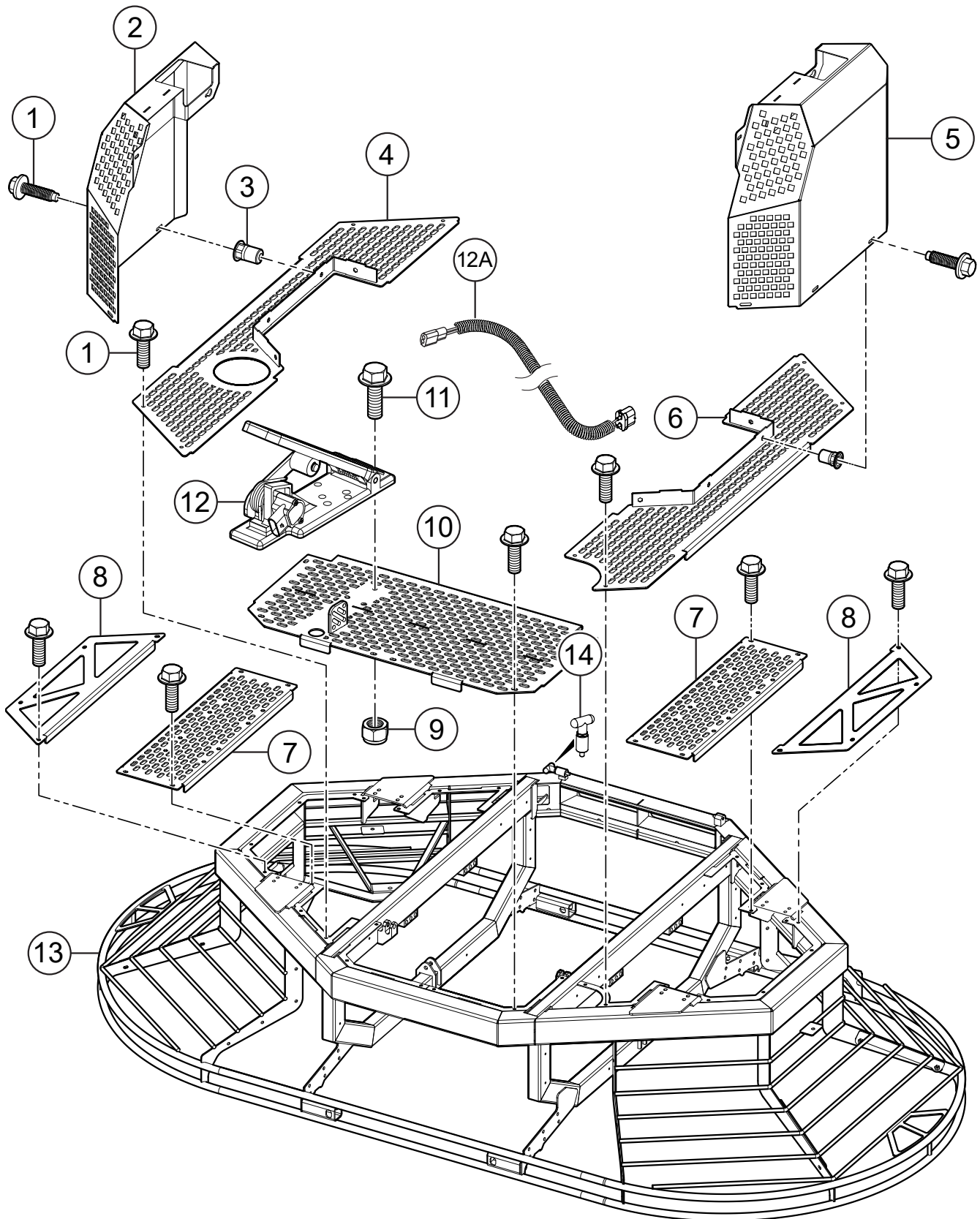
## NOTES:

-  APPLY LOCTITE® BLUE 246™.
-  TORQUE TO 70 LBF·FT (95 N·M).
-  P/N 48762 SERVICE KIT DISPLAY INCLUDES ITEMS 7, 15, 17, 20, 21, AND 22 (FOR UNIT WITH SERIAL NUMBER RG2005744 AND BELOW).

## RIGHT FRAME CONSOLE ASSY.

<u>NO.</u>	<u>PART NO.</u>	<u>PART NAME</u>	<u>QTY.</u>	<u>REMARKS</u>
1	43069	SWITCH, MULTIFUNCTION, GRAYHILL	1	
3	48762	SERVICE KIT DISPLAY, DSEM835.....	1.....	INCLUDES ITEMS W/# S/N RG2005744 AND BELOW
3	48759	DISPLAY, DEEP SEA DSEM835, PROG.....	1.....	S/N RG2005745 AND ABOVE
4	42352	NUT, HEX, SERRATED-FLANGE, M6-1.0	3	
5	43370	FRAME, LIFT -R	1	
6	43634	COVER, RIGHT INTERIOR	1	
7#	32916	NUT, U-STYLE, M6-1 X 0.8 - 4MM, BK	2	
8	42325	SCREW, HHC, M6-1.0 X 20, CAP. WASHER	9	
9	43638	PANEL, RIGHT JOYSTICK FILL	1	
10	19847	RIVET, POP, ALUM, 3/16 X 1/8-1/4 GRIP	6	
11	43636	COVER, RIGHT JOYSTICK HOSE	1	
12%	42496	NUT, BLIND HEX M6-1.0	17	
13	9176	SCREW, HHF M12-1.75 X 80MM GR10.9	4	
14	43756	SWITCH ASSEMBLY, PUSHBUTTON	1	
15#	38191	GROMMET, RUBBER, .375" ID X .875" OD	3	
16	23959	SWITCH, IGNITION.....	1.....	INCLUDES ITEMS W/\$
16A\$	23959-01	KEY, IGNITION SWITCH	1	
17#	43608	COVER, OPERATOR CONTROLS .....	1.....	INCLUDES ITEMS W/% S/N RG2005744 AND BELOW
18	43743	SCREW, PT-WN1411 K40 X 16MM	4	
19	42451	NUT, HEX. SERRATED-FLANGE M6-1.0	4	
20#	48754	ADAPTOR PLATE, MD3 TO DSEM835 CONV..	1.....	S/N RG2005744 AND BELOW
21#	48755	SPACER, DSEM835 DISPLAY CONV. ....	1.....	S/N RG2005744 AND BELOW
22#	48766	HARNESS ADAPTER, 6 IN., DSEM835.....	1.....	S/N RG2005744 AND BELOW

# FRAME AND PLATFORM ASSY.

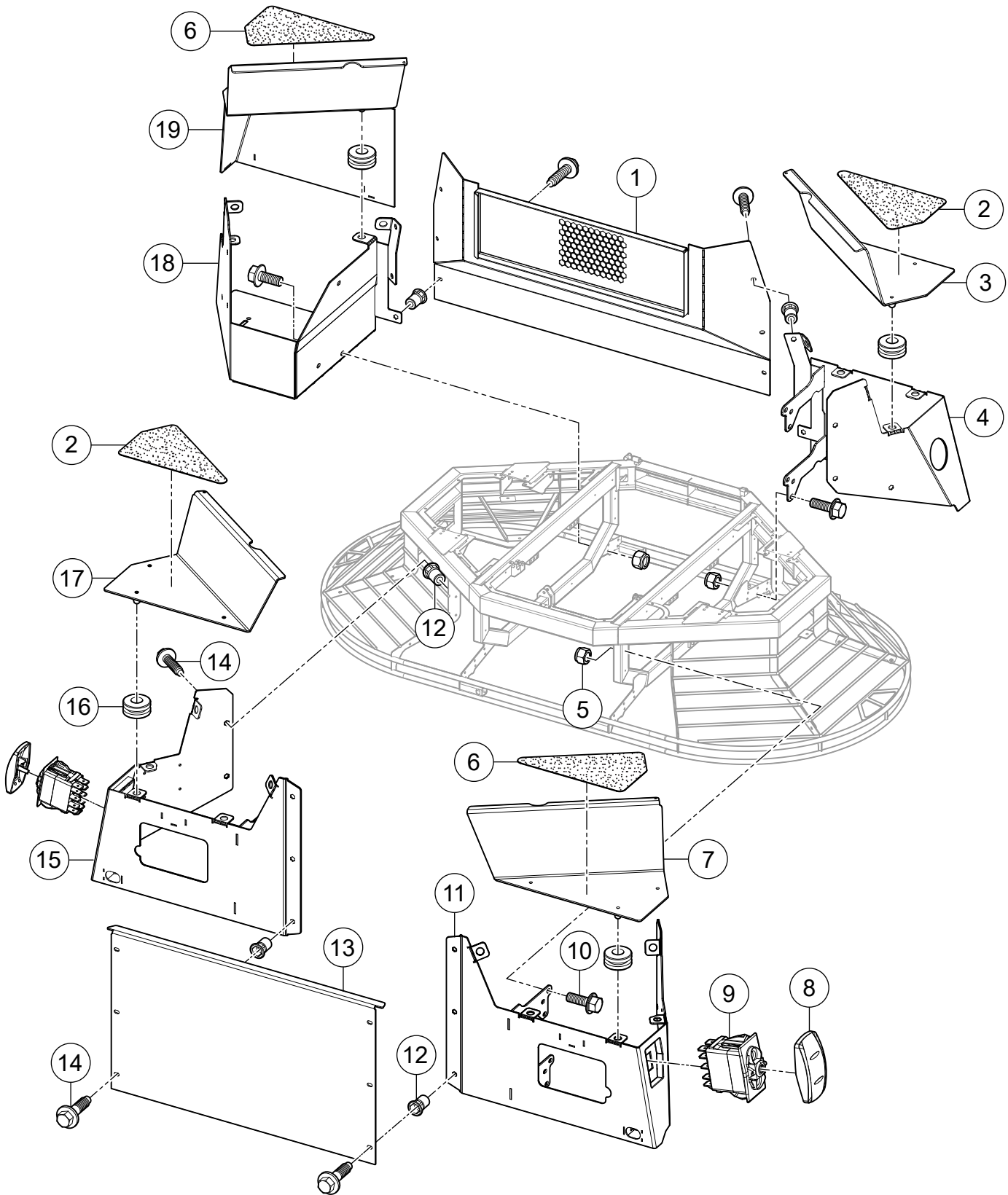


## FRAME AND PLATFORM ASSY.

---

<u>NO.</u>	<u>PART NO.</u>	<u>PART NAME</u>	<u>QTY.</u>	<u>REMARKS</u>
1	42325	SCREW, HHC, M6-1.0 X 20, CAPTIVE WASHER	48	
2	43518	COVER, LEFT W/A	1	
3	42496	NUT, BLIND HEX M6-1.0	16	
4	43496	PLATFORM, RIGHT, INNER W/A	1	
5	43517	COVER, RIGHT W/A	1	
6	43495	PLATFORM, LEFT, INNER W/A	1	
7	43499	PLATFORM, CENTER	2	
8	43500	PLATFORM, OUTSIDE	2	
9	42344	NUT, NYLOC, M8-1.25, CLASS 8.8	3	
10	43493	PANEL, FOOT PEDAL, W/A	1	
11	15226	SCREW, HHC FLANGED M8-1.25 X 25MM	3	
12	43144	FOOT PEDAL	1	
12A	43144-1	HARNESS, FOOT PEDAL	1	
13	43155-SK	MAIN FRAME KIT, STXDF	1	
14	22947	PULL-PIN, SPRING LOADED	1	

# COWLING ASSY.

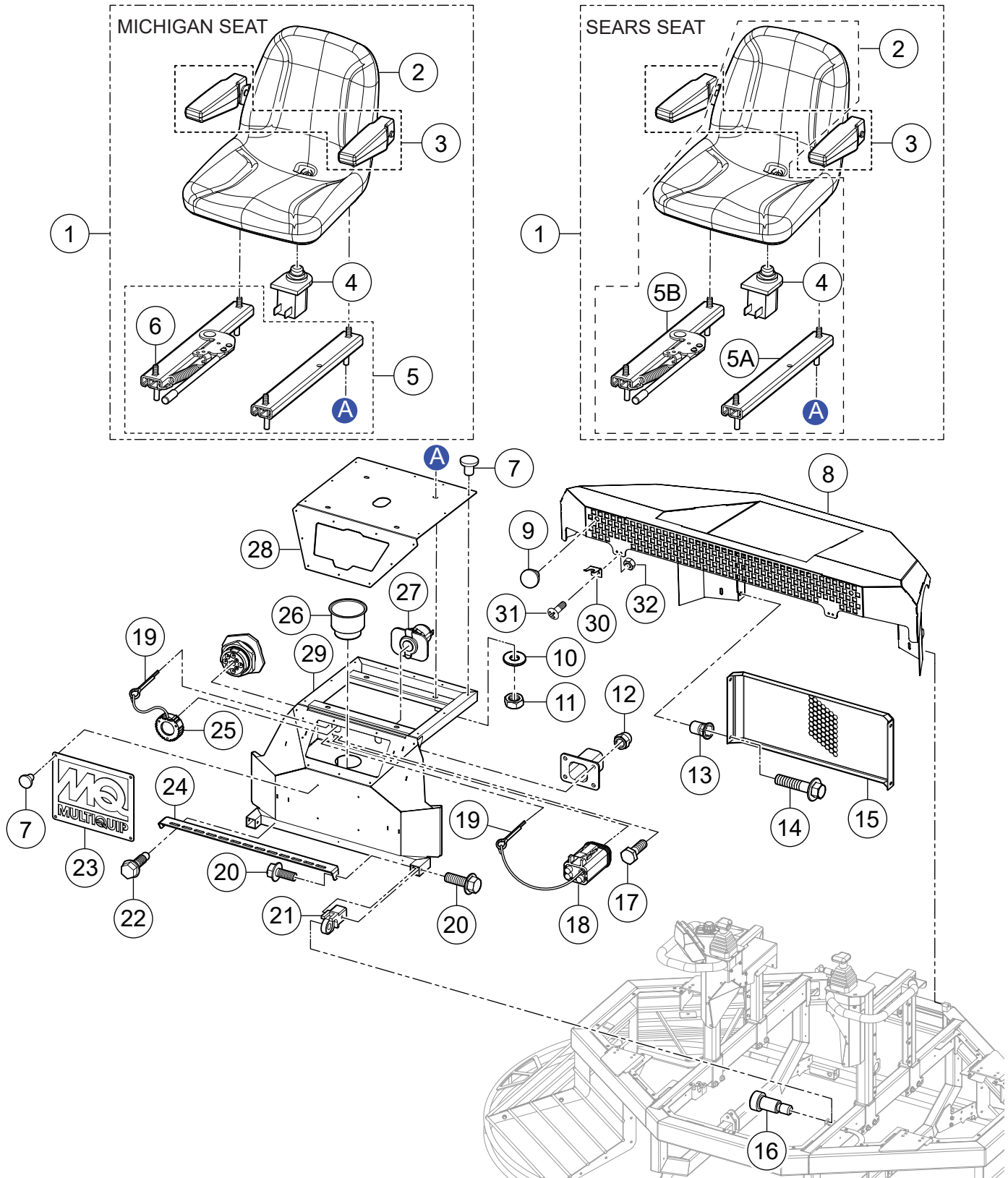


## COWLING ASSY.

---

<u>NO.</u>	<u>PART NO.</u>	<u>PART NAME</u>	<u>QTY.</u>	<u>REMARKS</u>
1	43522	COWLING W/A, REAR MIDDLE	1	
2	43603	TREAD, STEP, RIGHT	2	
3	43598	STEP W/A, REAR, LEFT	1	
4	43527	COWLING W/A, REAR LEFT	1	
5	42344	NUT, NYLOC, M8-1.25, CLASS 8.8	8	
6	43591	TREAD, STEP, LEFT	2	
7	43534	STEP W/A, FRONT LEFT	1	
8	42179-001	ACTUATOR, CARLING CONTURA V-SERIES	2	
9	42178-003	SWITCH BASE, CARLING CONTURA SERIES	2	
10	42343	SCREW, HFS, ZP, M8-1.25 X 20, CLASS 8.8	12	
11	43467	COWLING W/A, FRONT LEFT	1	
12	42496	NUT, BLIND HEX M6-1.0	24	
13	43520	COWLING, FRONT MIDDLE	1	
14	42325	SCREW, HHC, M6-1.0 X 20, CAPTIVE WASHER	24	
15	43602	COWLING W/A, FRONT RIGHT	1	
16	38191	GROMMET, RUBBER, .375" ID X .875" OD	21	
17	43604	STEP W/A, FRONT RIGHT	1	
18	43596	BOX W/A, BATTERY	1	
19	43530	STEP W/A, REAR RIGHT	1	

# SEAT FRAME ASSY.

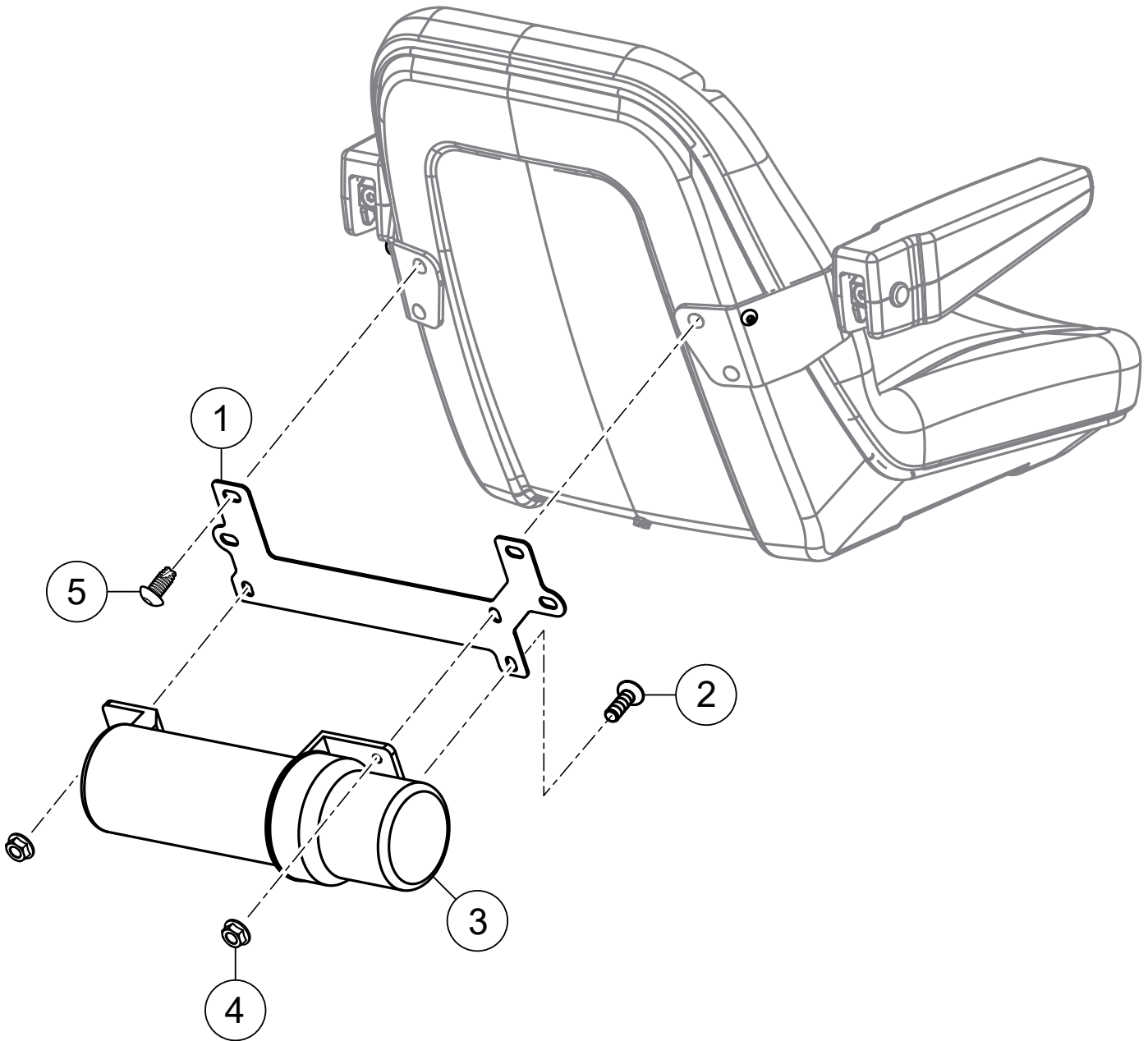


## SEAT FRAME ASSY.

<u>NO.</u>	<u>PART NO.</u>	<u>PART NAME</u>	<u>QTY.</u>	<u>REMARKS</u>
1	21852-S	SEAT, MICHIGAN-ADJUSTABLE W/ ARMS .....	1	INCLUDES ITEMS W/\$ NO LONGER AVAILABLE
1	32960-SK	SEAT, SEARS-ADJUSTABLE W/ ARMS .....	1	INCLUDES ITEMS W/#
2\$	21860	SEAT, BASIC MICHIGAN V-2805 SERIES	1	NO LONGER AVAILABLE
2#	32963-SK	SEAT, SEARS-ADJUSTABLE W/O ARMS .....	1	INCLUDES ITEMS W/%
3\$	21868	ARMREST KIT, MICHIGAN V-2805 SEAT	1	
3#	34792	ARMREST KIT, SEARS	1	
4\$	21870	KILL SWITCH, DELTA SYSTEMS 6440-62	1	
4#%	32962	KILL SWITCH, SEARS	1	
5\$	21865	SEAT ADJUSTER KIT, MICHIGAN V-2805	1	
5A#%	32964	SEAT ADJUSTER LH, SEARS	1	
5B#%	32965	SEAT ADJUSTER RH, SEARS	1	
6	0400 B	SCREW, HHC 5/16-18 X 1/2	4	
7	19847	RIVET, POP, ALUM, 3/16 X 1/8-1/4 GRIP	22	
8	43620	HOOD, STXDF	1	
9	21597	BUMPER, STEM 1.0"D X .5S X .31	2	
10	933241	WASHER, FLAT SAE 5/16" GRD 9 YZ	4	
11	5283	NUT, NYLOC 5/16-18	4	
12	15518-004	NUT, HHC, NYLOC, M4-0.7	4	
13	42496	NUT, BLIND HEX M6-1.0	4	
14	43724	SCREW, HHFS M6-1.0 X 25MM CLASS 8.8	4	
15	43628	PANEL, HOOD MESH	1	
16	9162	SCREW, SHSLDR M16 X M25 M12-1.75 PATCH	2	
17	28922-083	SCREW, HHC M4-0.7 X 12MM	4	
18	42440	LANYARD, 4-WAY PLUG, DT SERIES	1	
19	5117	PIN, COTTER 1/16" X 1/2"	2	
20	42342	SCREW, HHFS, M8-1.25 X 16 GR 8.8	4	
21	43484	PIVOT, SEAT FRAME	2	
22	9509	SCREW, TEK 12 X 3/4 SELF TAP	3	
23	43758	BADGE, MQ RIVET	1	
24	43686	PANEL, FOOT PLATFORM HEEL	1	
25	42442	CON. CAP, DEUTSCH, HD10, 9 PIN WLANYARD	1	
26	43643	CUP HOLDER, STAINLESS STEEL	1	
27	42780	ACCESSORY PORT, USB POWER	1	
28	43486	PANEL, OPERATOR CAB TOP	1	
29	43474	W/A FRAME TILT CAB	1	
30	20673	LATCH, RUBBER HOOD	2	
31	1307	SCREW, PHP 8-32 X 1/2	4	
32	13287	NUT, NYLOC 8-32	4	

# DOCUMENT HOLDER ASSY.

---

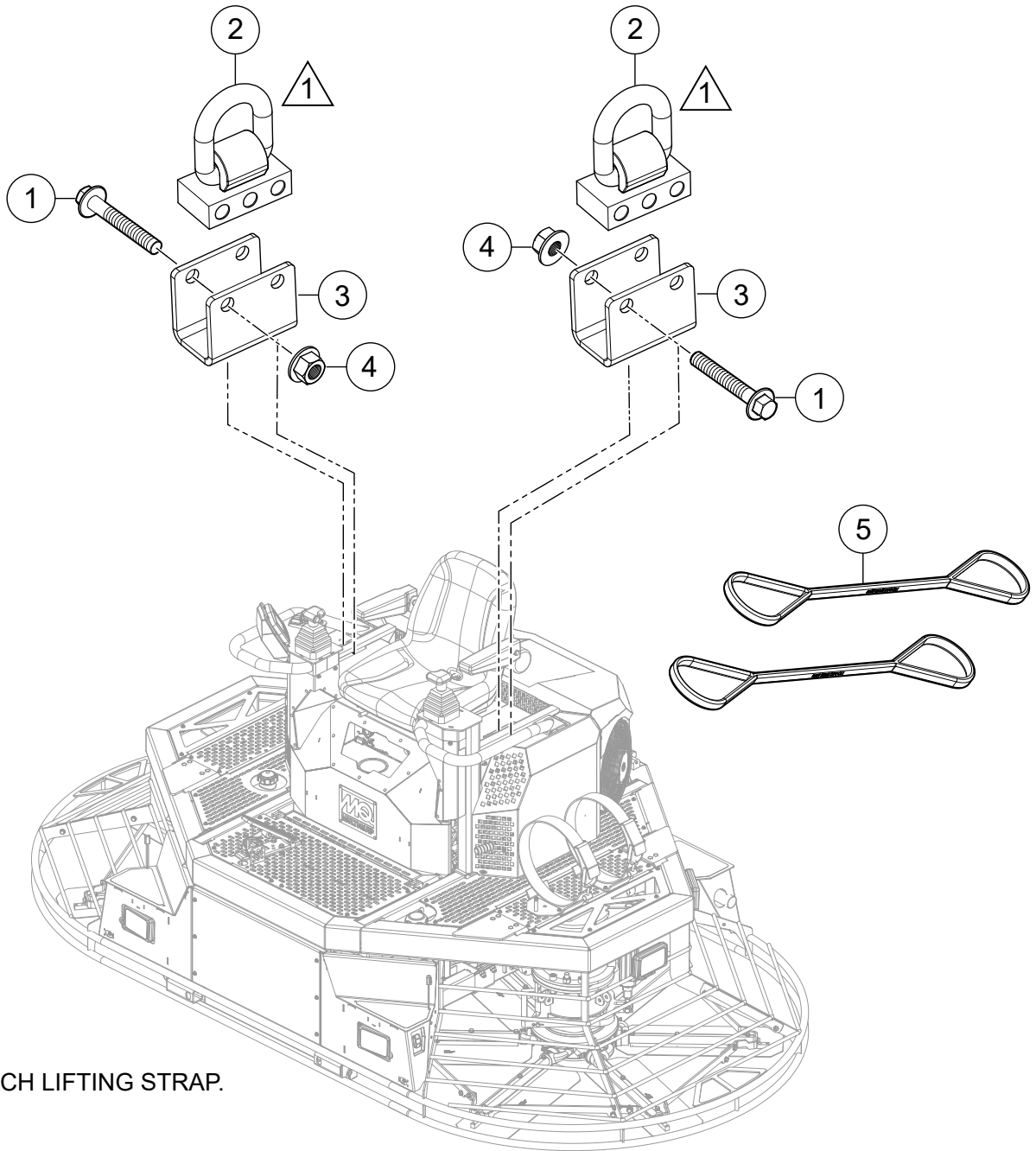


## DOCUMENT HOLDER ASSY.


---

<u>NO.</u>	<u>PART NO.</u>	<u>PART NAME</u>	<u>QTY.</u>	<u>REMARKS</u>
1	42541	BRACKET, DOCUMENT HOLDER	1	
2	49048	SCREW, HHFS 1/4-20 X 3/4" GR5	3	
3	23297	MANUAL HOLDER, PICTOGRAPH SAE J232	1	
4	49070	NUT, HFS, 1/4-20	3	
5	21869	SCREW, BHC 5/16-18 X 5/8" SELF TAP	6	

# LIFTING ASSY.



**NOTE:**

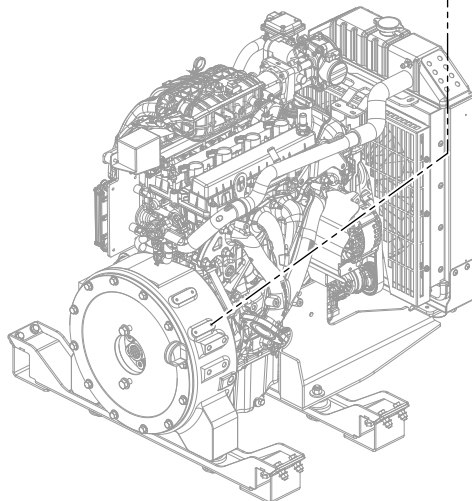
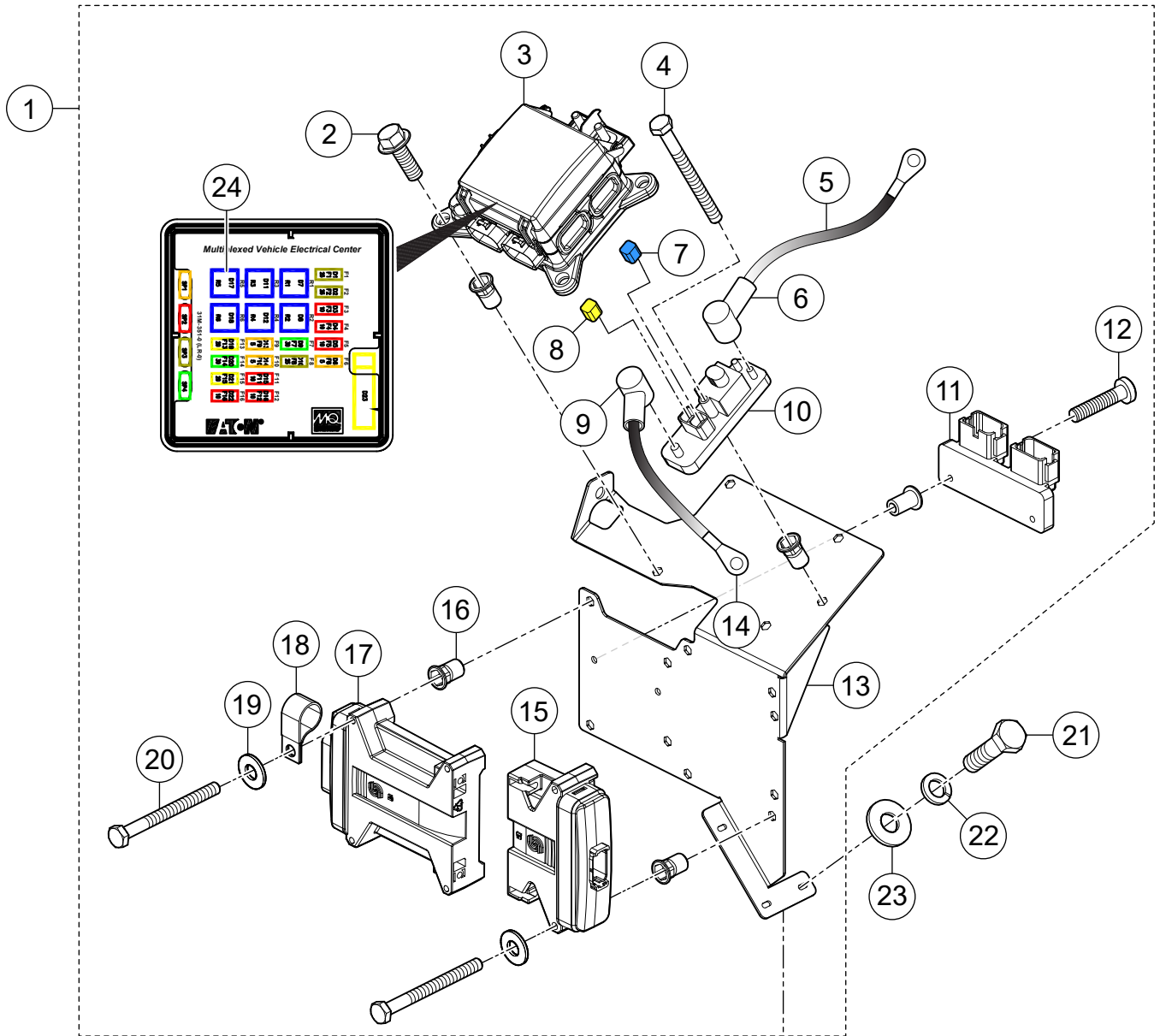
 ATTACH LIFTING STRAP.

## LIFTING ASSY.

---

<u>NO.</u>	<u>PART NO.</u>	<u>PART NAME</u>	<u>QTY.</u>	<u>REMARKS</u>
1	9176	SCREW, HHF M12-1.75 X 80 GR 10.9	4	
2	45169	LIFTING D-RING W/A	2	
3	45168	CHANEL, LIFTING	2	
4	42451	NUT, HEX. SERRATED-FLANGE M6-1.0	4	
5	52078	LIFTING STRAP, 3FT-6IN 6200LBS CAP.	2	

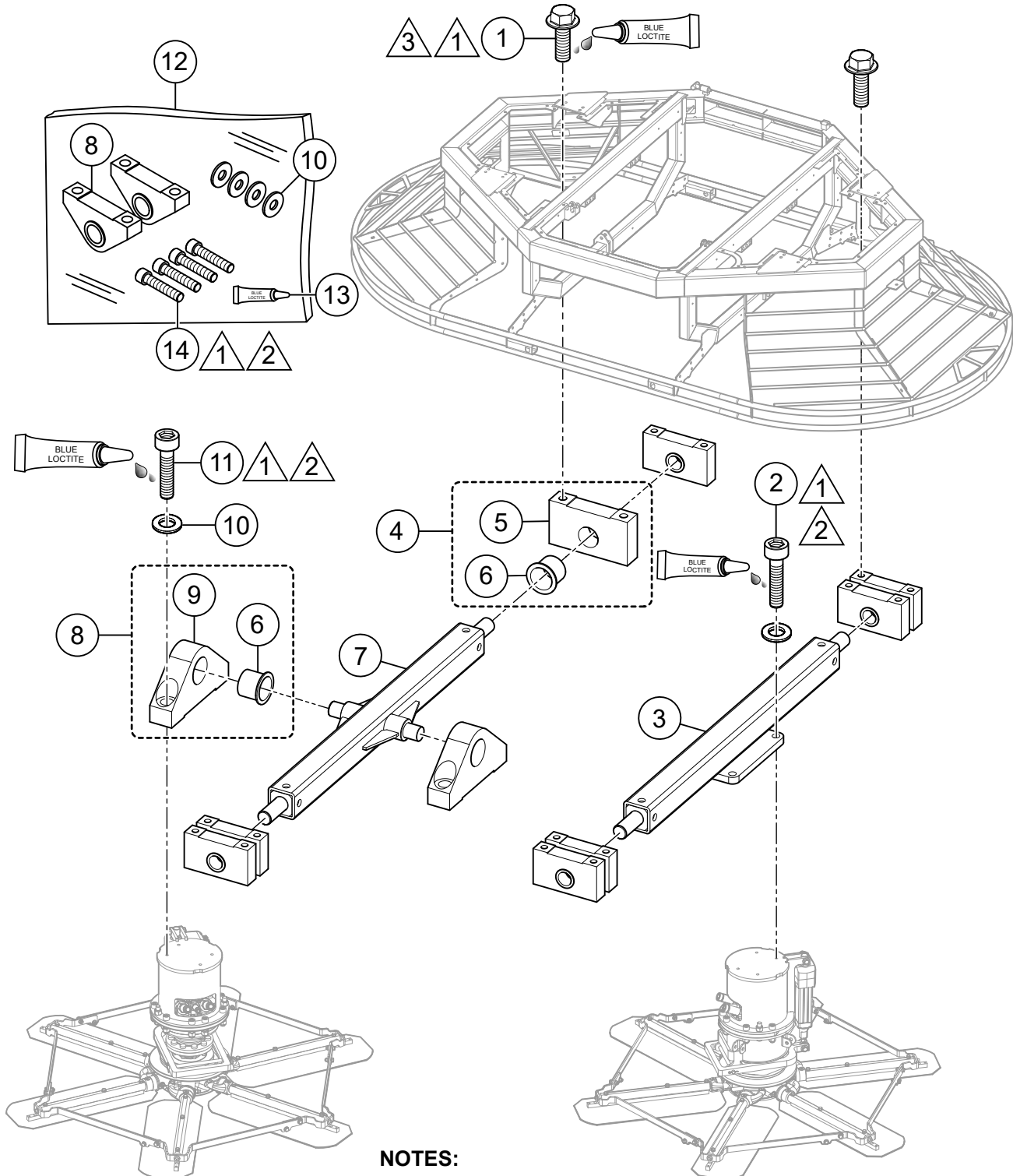
# ELECTRICAL CONTROL PANEL ASSY.






## ELECTRICAL CONTROL PANEL ASSY.

<u>NO.</u>	<u>PART NO.</u>	<u>PART NAME</u>	<u>QTY.</u>	<u>REMARKS</u>
1	43399	ELECTRICAL ASSEMBLY .....	1.....	INCLUDES ITEMS W/\$
2\$	42347	SCREW, HFS, ZP, M6-1.0 X 30, CLASS 8.8	4	
3\$	43142	FUSE BOX	1	
4\$	25307	SCREW, HHC M6-1.0 X 50MM	1	
5\$	42433	CABLE, BAT POS, 8GA, 8"	2	
6\$	2762	BOOT, TERMINAL	2	
7\$	22725-200	FUSE, 20 AMP J CASE	1	
8\$	22725-600	FUSE, 60 AMP J CASE	1	
9\$	42981	BOOT, TERMINAL, 8-2GA, RED	1	
10\$	42140	MODULE, POWER RELAY	1	
11\$	42713	BUS BAR, DEUTSCH STYLE, 24 PIN	1	
12\$	35299	SCREW, PHP M4-0.7 X 25MM	2	
13\$	43398	PANEL, ELECTRICAL	1	
14\$	12675	CABLE, BATTERY POS, 4 GA X 36"	1	
15\$	43362	IO MODULE, PLUS 1	1	
16\$	42496	NUT, BLIND HEX M6-1.0	11	
17\$	42072	CONTROLLER, MC 050-120	1	
18\$	32083	CLAMP, LOOP-VINYL 1.0"DIA	2	
19\$	0948	WASHER, FLAT SAE 1/4"	6	
20\$	43153	SCREW, HHC, M6-1.0 X 65MM	6	
21	32527	SCREW, HHC 10-32 X 3/4" SS	3	
22	19780	WASHER, LOCK #10 MED	3	
23	2203	WASHER, FLAT, #10	3	
24\$	43990	RELAY, 12V, 20A 4-PIN MICRO	6	

# PIVOT ASSY.



## NOTES:

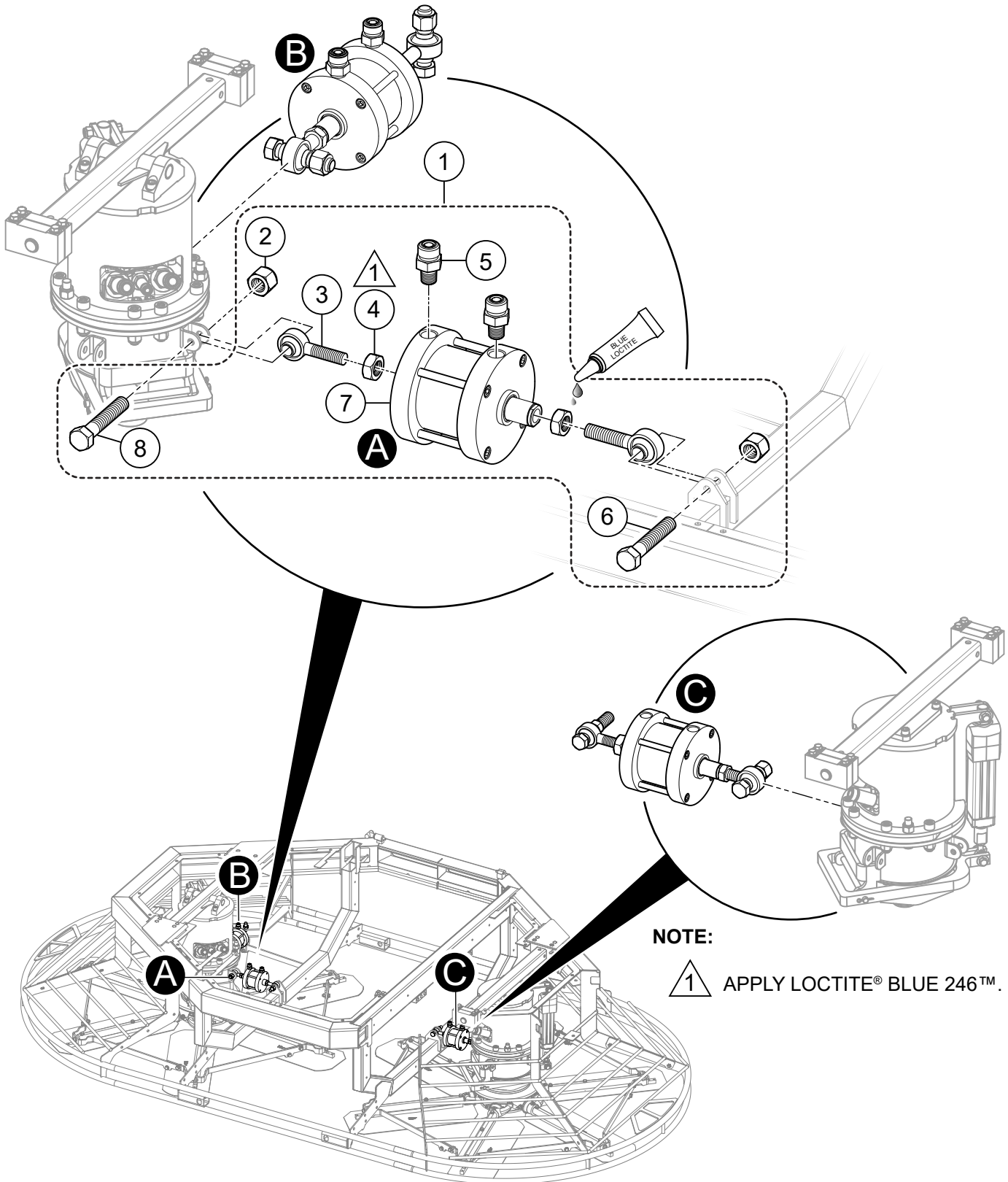
-  1 APPLY LOCTITE® BLUE 242™.
-  2 2-STEP TORQUE (STAR PATTERN):  
 1ST-TORQUE TO 40 LBF·FT (54 N·M).  
 2ND-TORQUE TO 75 LBF·FT (102 N·M).
-  3 TORQUE TO 40 LBF·FT (54 N·M).

## PIVOT ASSY.

---

<u>NO.</u>	<u>PART NO.</u>	<u>PART NAME</u>	<u>QTY.</u>	<u>REMARKS</u>
1	32976	SCREW, HHFS M10-1.5 X 25 GR 10.9	16	
2	939654	SCREW, SHC M12-1.75 X 30MM 12.9 NP	14	
3	43106	TRUNNION W/A, SINGLE DOF	1	
4	43152	PIVOT BLOCK ASSEMBLY, MOTOR MT. W/BUSHING	8	INCLUDES ITEMS W/\$
5\$	43151	PIVOT BLOCK, ROTOR MOUNT	8	
6\$#%	10221	BUSHING, GLIDE IGUS #TFI-1618-16	12	
7	43194	TRUNNION, SQ DOUBLE DOF, W/A	1	
8%	42280	BLOCK, MOTOR MT. 2 DOF PIVOT, ASSEMBLY	4	INCLUDES ITEMS W/#
9#	3942280	PIVOT BLOCK, MOTOR MOUNT	4	
10%	43180	WASHER, FLAT M12, DIN 433	12	
11	32977	SCREW, SHC M12-1.75 X 45 GR 12.9	4	
12	42280-SK	SERVICE KIT, BLOCK MOTOR MT. 2 DOF PIVOT	1	INCLUDES ITEMS W/%
13%	1477	LOCTITE 242 BLUE .5 CC	1	
14%	43181	SCREW, SHC M12 X 60, DIN 912, GR 12.9	4	

# HYDRAULIC STEERING ASSY.

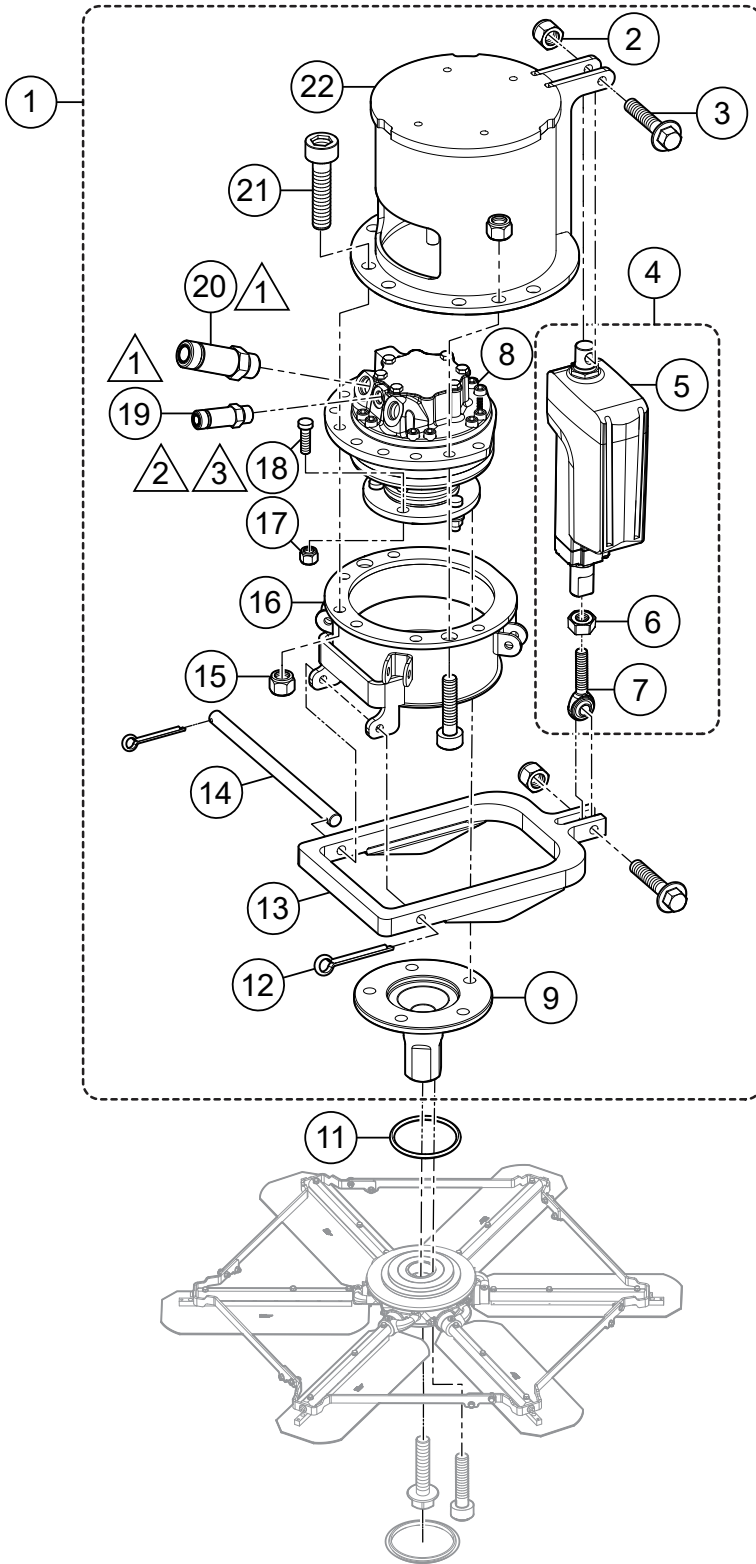


## HYDRAULIC STEERING ASSY.



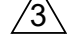
---

<u>NO.</u>	<u>PART NO.</u>	<u>PART NAME</u>	<u>QTY.</u>	<u>REMARKS</u>
1	42226	CYLINDER ASSEMBLY, HYD. STEERING .....	3	INCLUDES ITEMS W/#
2#	10176	NUT, NYLOC 1/2-13	6	
3#	21944	ROD END, 1/2-20 M RH W/CUSTOM BALL	6	
4#	11146	NUT, HEX JAM 1/2-20 PLATED	6	
5#	32350	FITTING, 6MORFS X 04MP STR	6	
6#	13178	SCREW, HHC 1/2-13 X 2 1/4 GR5	3	
7#	12056	CYLINDER, 2.5" BORE X 1.5" STR X .75" ROD	3	
8#	12318	SCREW, HHC 1/2-13 X 2 3/4	3	

# HYDRAULIC MOTOR ASSY.



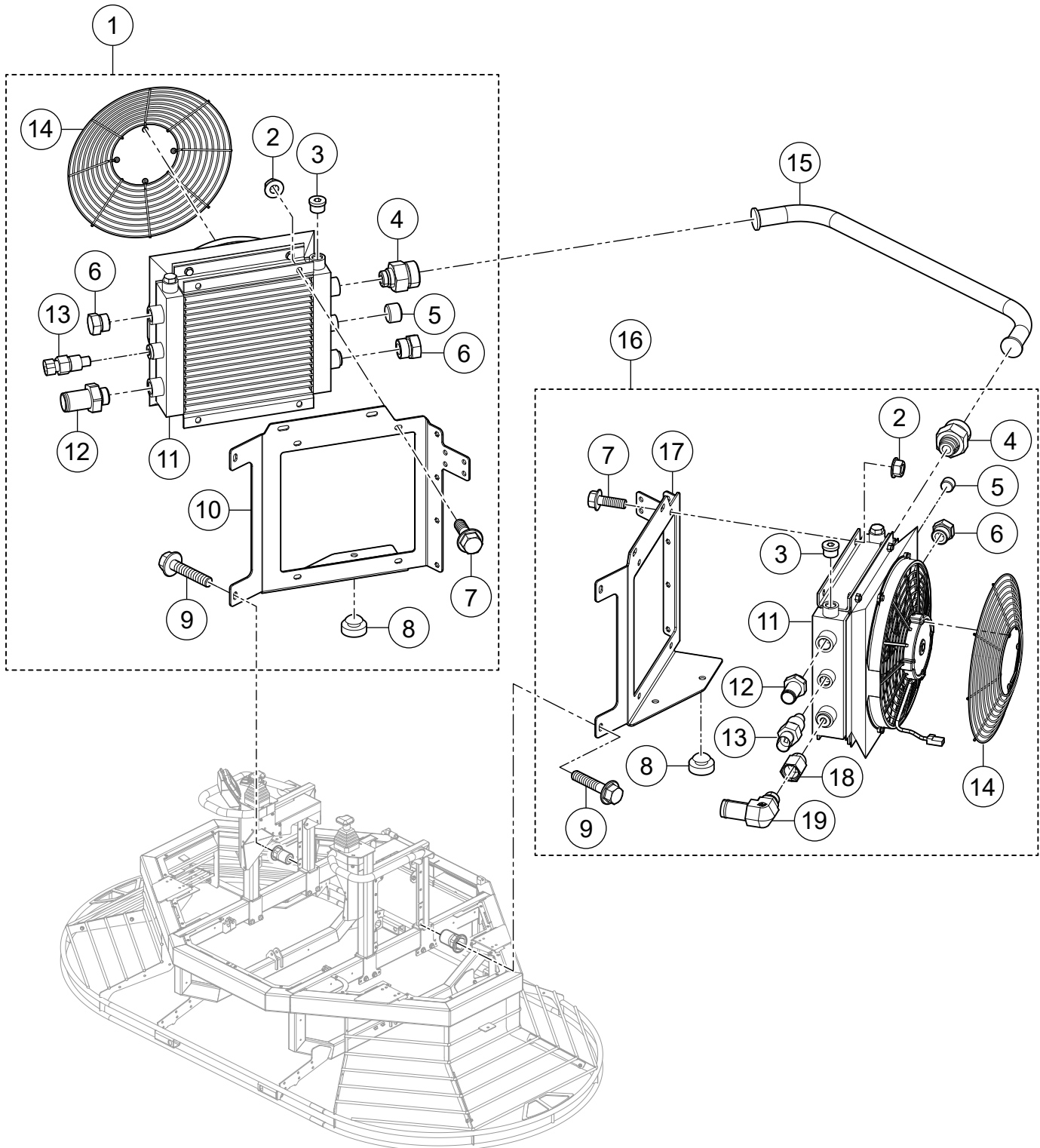
## NOTES:

-  1 INSTALL AFTER HOUSING ASSEMBLY.
-  2 APPLY LOCTITE® BLUE 246™.
-  3 TORQUE TO 103 LBF-FT (140 N·M).

## HYDRAULIC MOTOR ASSY.

<u>NO.</u>	<u>PART NO.</u>	<u>PART NAME</u>	<u>QTY.</u>	<u>REMARKS</u>
1	43104	MOTOR, RPM HOUSING ASSEMBLY .....	2.....	INCLUDES ITEMS W/#
2#	21112140	NUT, HEX, NYLOC, M12-1.75	4	
3#	9185	SCREW, HHF M12-1.75 X 6 GR 10.9 PATCH	4	
4#	43789	THOMSON ACTUATOR, ASSEMBLY .....	2.....	INCLUDES ITEMS W/\$
5#\$	43677	ACTUATOR, LINEAR THOMSON	2	
6#\$	43725	NUT, JAM, M12-1.75	2	
7#\$	43231	ROD END, M12 MALE SPHERICAL	2	
8#	43066	MOTOR, HYDRAULIC, MCR5, 520CC .....	2.....	INCLUDES ITEMS W/%
9#	48181	DRIVE ADAPTOR, M14 HYD. MOTOR	2	
11	43186	O-RING, SIZE 2-226 VITON	2	
12#	0183	PIN, COTTER 1/8" X 1-1/4"	4	
13#	43092	YOKE, W/A	2	
14#	43075	PIN, YOKE PIVOT	2	
15#	17097	NUT, NYLOC M16-2.00, DIN 985	16	
16#	43085	HOUSING, LOWER RPM MOTOR, W/A	2	
17#%	43066-2	NUT, REXROTH MOTOR M14-1.5	10	
18#%	43066-1	STUD, REXROTH MOTOR M14-1.5	10	
19#	42997	FITTING, STR LONG, 8MORFS X 8MOR	2	
20#	42996	FITTING, STR LONG, 12MORFS X 12MOR	4	
21#	17107	SCREW, SHC M16-2.00 X 60, DIN912	16	
22#	43080	HOUSING, UPPER RPM MOTOR, W/A	2	

# HEAT EXCHANGER ASSY. (LEFT AND RIGHT)



## HEAT EXCHANGER ASSY. (LEFT AND RIGHT)

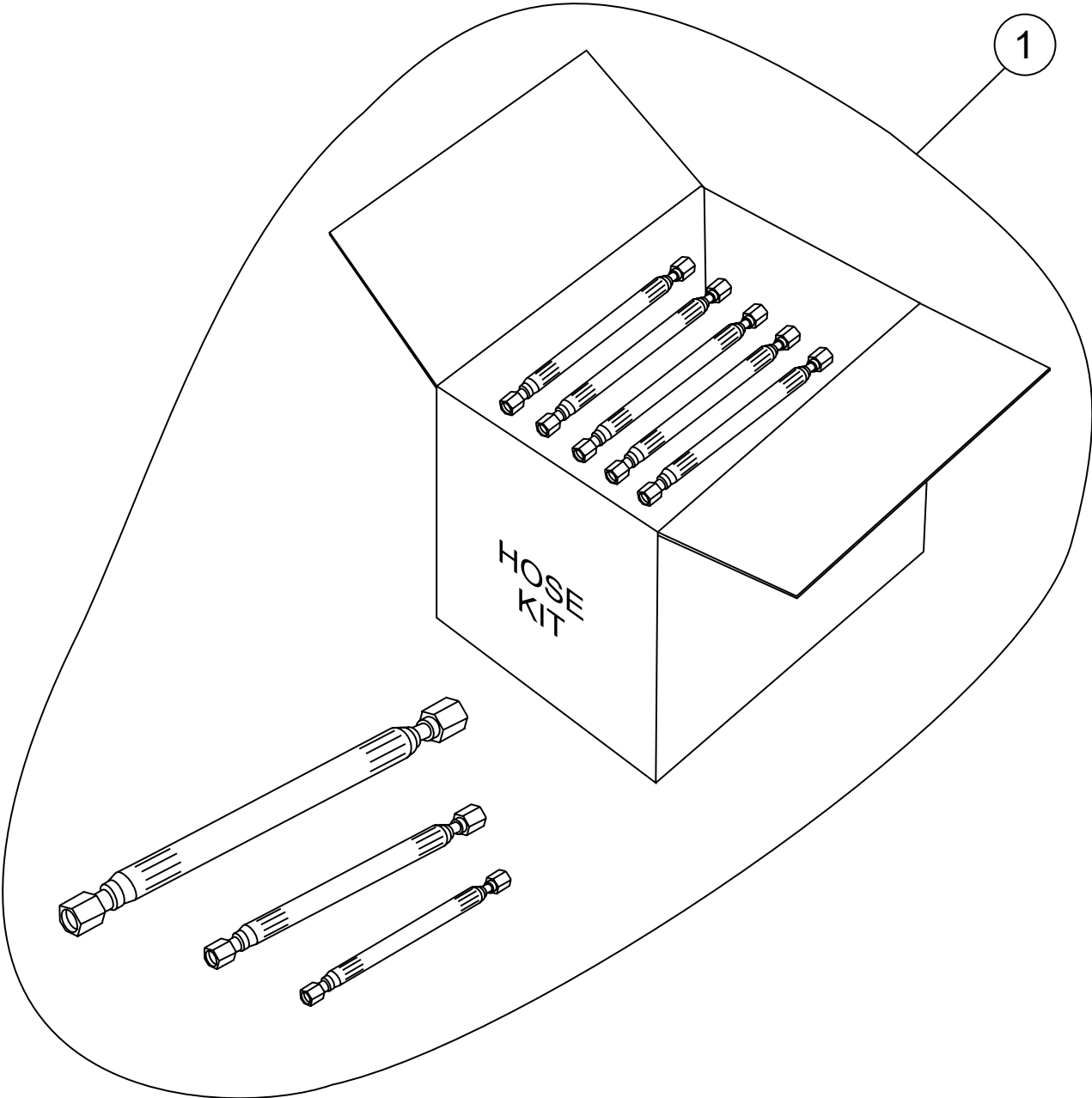
<u>NO.</u>	<u>PART NO.</u>	<u>PART NAME</u>	<u>QTY.</u>	<u>REMARKS</u>
1	43463	HEAT EXCHANGER ASSEMBLY, RH .....	1.....	INCLUDES ITEMS W/\$
2\$#	23802	NUT, HEX FLANGE M8-1.25 SERRATED	8	
3\$#	368700	FITTING, PLUG 8MO HEX SKT HD	4	
4\$#	43580	FITTING, -10 MORB TO -16MORFS	2	
5\$#	5016 B	FITTING, PLUG 3/8MP HEX SKT HD	2	
6\$#	32468	FITTING, PLUG - ORING - 10	3	
7\$#	15226	SCREW, HHC FLANGED M8-1.25 X 25MM	8	
8\$#	21597	BUMPER, STEM 1.0"D X .5S X .31	4	
9\$#	42347	SCREW, HFS, ZP, M6-1.0 X 30, CLASS 8.8	4	
10\$	43462	BRACKET, RH HEAT EXCHANGER	1	
11\$#	42648	HEAT EXCHANGER, HYDRAULIC, TIER 4	2	
12\$#	43479	FITTING, PARKER -10MORB TO -16BARB	2	
13\$#	22746	SENSOR, TEMPERATURE-HYD OIL	2	
14\$#	43464	GUARD, WIREFORM	2	
15	43340	HARDLINE, COOLER	1	
16	43461	HEAT EXCHANGER ASSEMBLY, LH.....	1.....	INCLUDES ITEMS W/#
17#	43460	BRACKET, HEAT EXCHANGER	1	
18#	43667	FITTING, STR, -10MORX-10FORB	1	
19#	43699	FITTING, 90DEG, -10MORBX-16BARB	1	



## HYDRAULIC PUMP ASSY.

<u>NO.</u>	<u>PART NO.</u>	<u>PART NAME</u>	<u>QTY.</u>	<u>REMARKS</u>
1	43061	PUMP ASSY., TANDEM 28 CC, EP CON.....	1.....	INCLUDES ITEMS W/\$
2\$	43330	FITTING, 90° LONG, 12MORFS X 12MOR	2	
3\$	32362	FITTING, 90° 12MOR X 12 MORFS	2	
4\$	43120	PRESSURE TRANSDUCER, 0-400 BAR	4	
5\$	43352	DIAGNOSTIC FITTING, -12, PUMP ASSY.	4	
6\$	43619	FITTING, TEE, 5/8 MFS, FFS, MFS	1	
7\$	43341	HARD LINE, CASE DRAIN, HYD PUMP	1	
8\$	43621	FITTING, 90°, 5/8 FFS, 5/8 MFS	1	
9\$	32342	FITTING, STR -10MORFS X -10MOR	2	
10\$	43465	FITTING, 90° -16FORFS TO -20 MORFS	1	
11\$	43652	FITTING, STR, 20FORFSX24BARB	1	
12\$	43343	HARD LINE, S PORT, HYD PUMP	1	
13\$	43060	FITTING, TEE 16MO-16MORFS-16MORFS	1	
14\$	43344	HARD LINE, G PORT, HYD PUMP	1	
15\$	43728	FITTING, STR LONG -16MORBX-16MORFS	1	
16\$	43706	FITTING, STR, -16MORBX-16FORB	2	
17\$	32718	FITTING, 90° 8MORFS X 8MOR	1	
18\$	32713	FITTING, BRANCH TEE 8MORFS X 8MOR	1	
19\$	43057	PUMP, TANDEM 28 CC, EP CONTROL	1	
20\$	32727	FITTING, TEE 8 MO X 8 MORFS RUN	1	
21\$	42997	FITTING, STR LONG, 8MORFS X 8MOR	1	
22\$	43342	HARD LINE, FE PORT, HYD PUMP	1	
23\$	43119	PRESSURE TRANSDUCER, 0-40 BAR	1	
24\$	43353	DIAGNOSTIC FITTING, -8 PUMP ASSY.	1	
25	5218	SCREW, HHC 1/2-13 X 1-1/2"	2	
26	16630	WASHER, FLAT SAE 1/2" HI STRENGTH	2	
27	4196	SCREW, HHC 3/8-16 X .75"	8	
28	42219	COUPLER, HAYES 15T -SAE 8 MOUNT	1	
29	42340	SCREW, HHFS M10-1.5 X 35 GR 8.8	12	
30	59005	CLAMP, LOOP 2.0" X .53 HOLE	1	

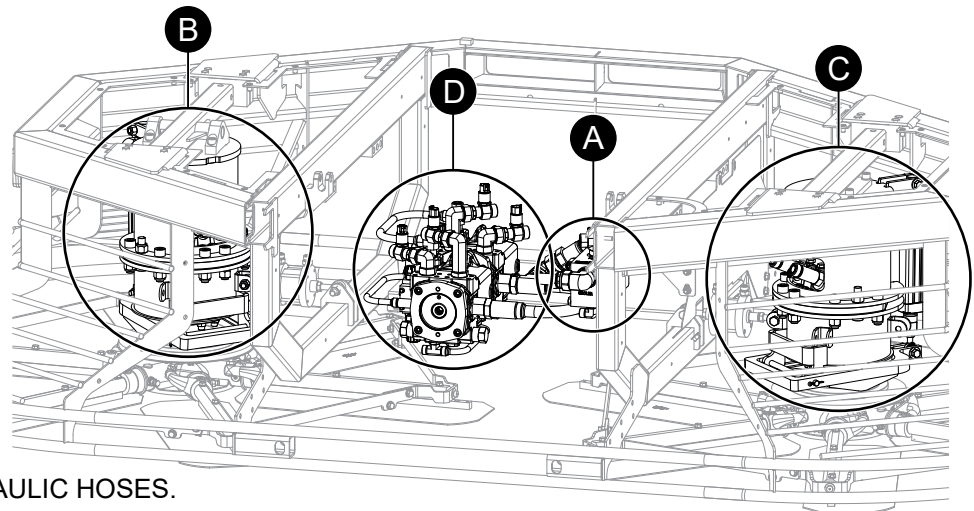
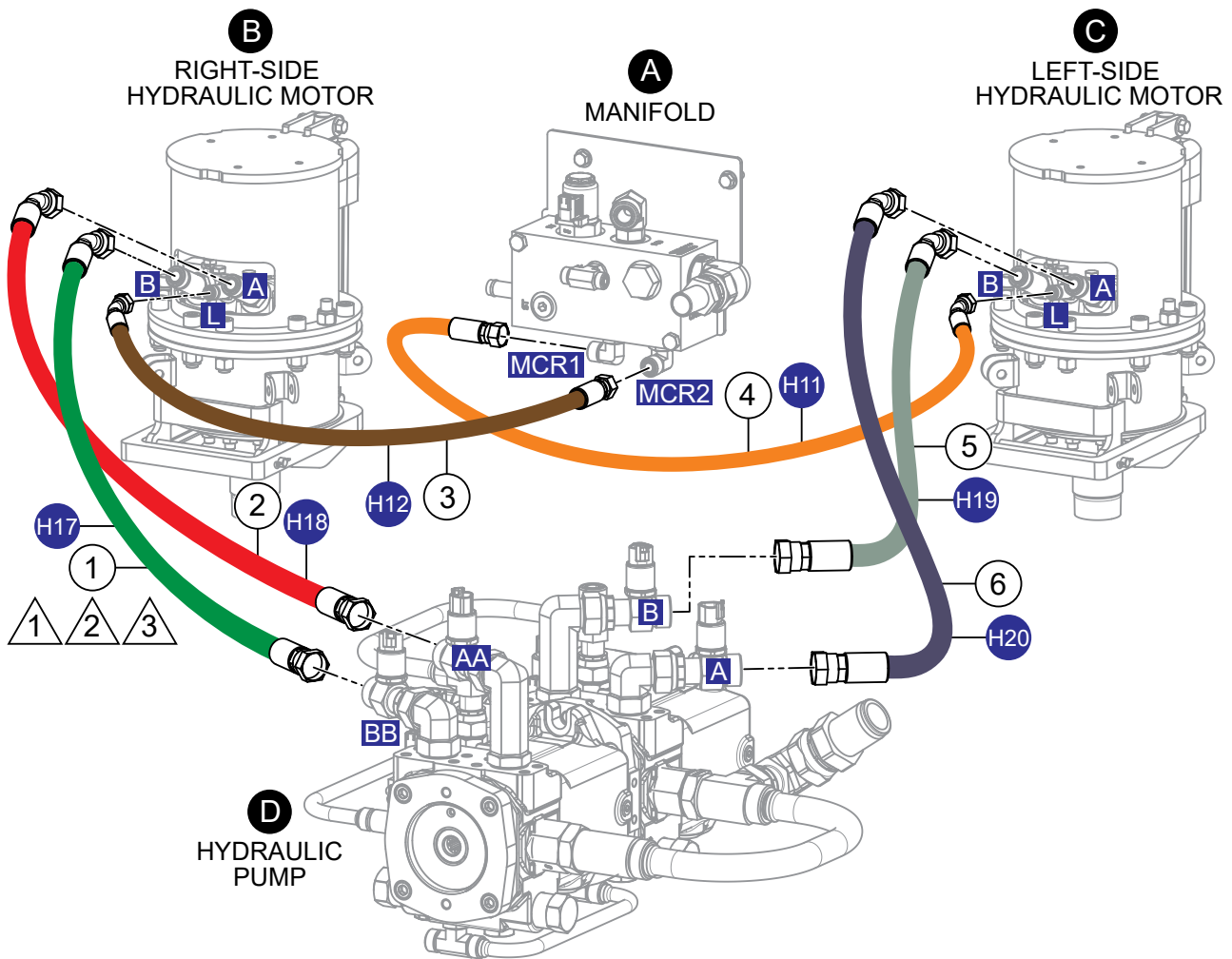
**HYDRAULIC HOSE KIT ASSY. (COMPLETE)**



## HYDRAULIC HOSE KIT ASSY. (COMPLETE)

<u>NO.</u>	<u>PART NO.</u>	<u>PART NAME</u>	<u>QTY.</u>	<u>REMARKS</u>
1	43278	HOSE KIT ASSEMBLY .....	1 .....	INCLUDES ITEMS BELOW
	43710	HOSE ASM, 3/8"x54 6FFORX45Sx6FFORX .....	1 .....	HOSE 1
	43711	HOSE ASM, 3/8"x54 6FFORX45Sx6FFORX .....	1 .....	HOSE 2
	43712	HOSE ASM, 3/8"x40 6FFORX45Sx6FFORX .....	1 .....	HOSE 3
	43713	HOSE ASM, 3/8"x40 6FFORX45Sx6FFORX .....	1 .....	HOSE 4
	43714	HOSE, 1"X37.50 E-Z FORM.....	1 .....	HOSE 5
	43715	HOSE, 1.50"X16.75" E-Z FORM .....	1 .....	HOSE 6
	43803	HOSE ASM, 1/2"x20 8FFORX90Sx8FFORX .....	1 .....	HOSE 7
	43804	HOSE ASM, 3/8"x35.75 6FFORXx6FFORX.....	1 .....	HOSE 8
	43805	HOSE ASM, 3/8"x27 6FFORXSx6FFORX .....	1 .....	HOSE 9
	43806	HOSE ASM, 1/2"x17.5 8FFORX90Sx8FFORX .....	1 .....	HOSE 10
	43807	HOSE ASM, 1/2"x24 8FFORX45Sx8FFORX .....	1 .....	HOSE 11
	43808	HOSE ASM, 1/2"x50.5 8FFORX45Sx8FFORX .....	1 .....	HOSE 12
	43809	HOSE ASM, 1/2"x40 68FFORX90Sx6FFORX .....	1 .....	HOSE 13
	43810	HOSE ASM, 5/8"x24 10FFORX90Sx10FFORX .....	1 .....	HOSE 14
	43811	HOSE ASM, 5/8"x74 10FFORX90Sx10FFORX .....	1 .....	HOSE 15
	43812	HOSE ASM, 5/8"x63 6FFORXx6FFORX.....	1 .....	HOSE 16
	43813	HOSE ASM, 3/4"x30 12FFORXx12FFORX-6K .....	1 .....	HOSE 17
	43814	HOSE ASM, 3/4"x33 12FFORX45Sx12FFORX-6K.....	1 .....	HOSE 18
	43815	HOSE ASM, 3/4"x27 12FFORX45Sx12FFORX-6K.....	1 .....	HOSE 19
	43816	HOSE ASM, 3/4"x25.5 12FFORX45Sx12FFORX6K.....	1 .....	HOSE 20
	43819	HOSE, 1"X23 E-Z FORM.....	1 .....	HOSE 21
	43821	HOSE, 1.5"X17.0 E-Z FORM.....	1 .....	HOSE 22
	43822	HOSE ASM, 3/8"x46.75 6FFORX45x6FFORX.....	1 .....	HOSE 23
	43824	HOSE ASM, 3/8"x47.75 6FFORX45Sx6FFORX .....	1 .....	HOSE 24
	43825	HOSE ASM, 3/8"x38 06FFORXSx06FFORX .....	1 .....	HOSE 25

# HYD. HOSE ASSY. (HYD. MOTORS)



**NOTES:**

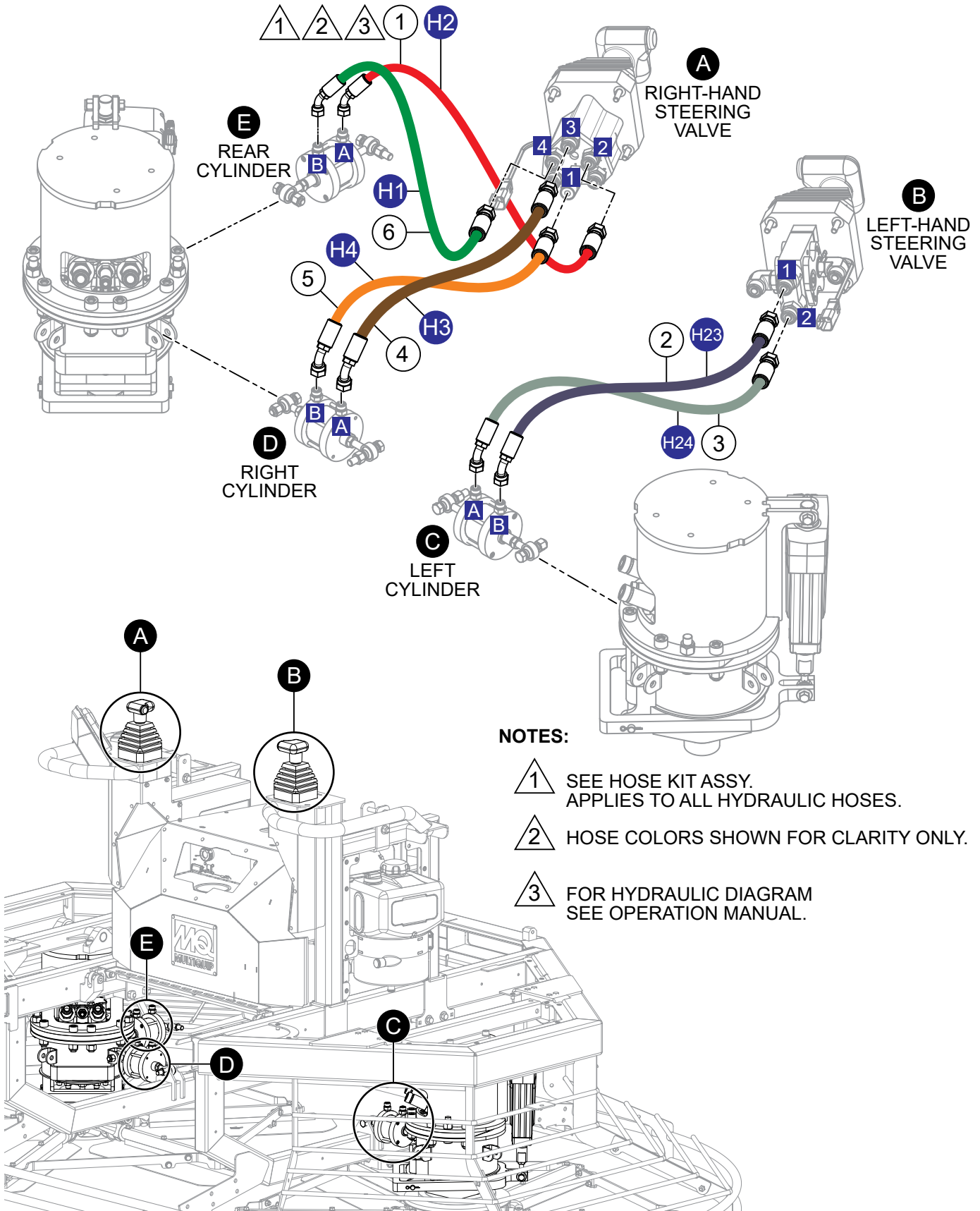
- ① SEE HOSE KIT ASSY. APPLIES TO ALL HYDRAULIC HOSES.
- ② HOSE COLORS SHOWN FOR CLARITY ONLY.
- ③ FOR HYDRAULIC DIAGRAM SEE OPERATION MANUAL.

## HYD. HOSE ASSY. (HYD. MOTORS)

---

<u>NO.</u>	<u>PART NO.</u>	<u>PART NAME</u>	<u>QTY.</u>	<u>REMARKS</u>
1	43813	HOSE ASM, 3/4"x30 12FFORXx12FFORX-6K .....	1.....	HOSE 17
2	43814	HOSE ASM, 3/4"x33 12FFORX45Sx12FFORX-6K.....	1.....	HOSE 18
3	43808	HOSE ASM, 1/2"x50.5 8FFORX45Sx8FFORX .....	1.....	HOSE 12
4	43807	HOSE ASM, 1/2"x24 8FFORX45Sx8FFORX .....	1.....	HOSE 11
5	43815	HOSE ASM, 3/4"x27 12FFORX45Sx12FFORX-6K.....	1.....	HOSE 19
6	43816	HOSE ASM, 3/4"x25.5 12FFORX45Sx12FFORX6K.....	1.....	HOSE 20

# HYD. HOSE ASSY. (HYD. STEERING VALVES #1)

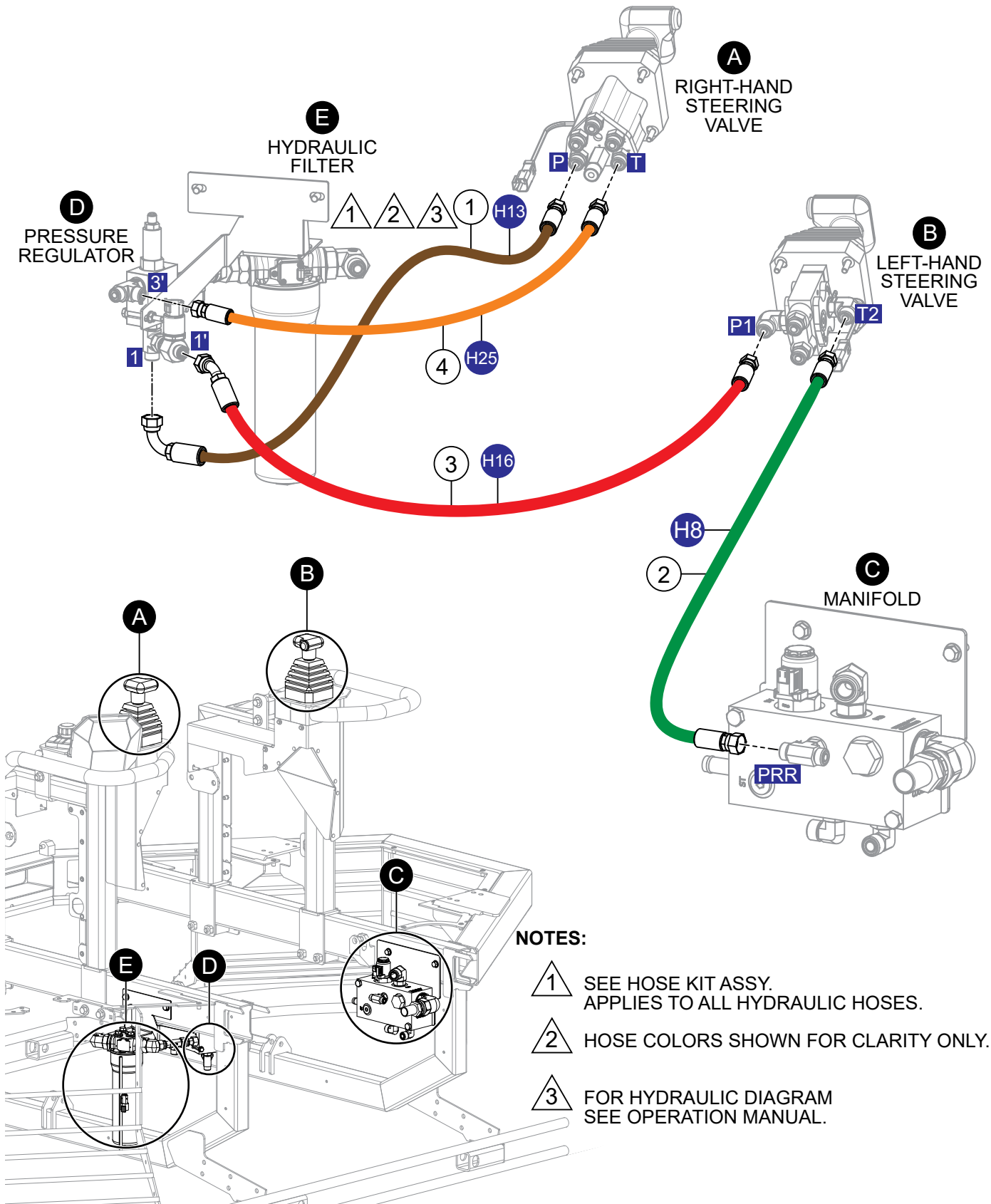


## HYD. HOSE ASSY. (HYD. STEERING VALVES #1)

---

<u>NO.</u>	<u>PART NO.</u>	<u>PART NAME</u>	<u>QTY.</u>	<u>REMARKS</u>
1	43711	HOSE ASM, 3/8"x54 6FFORX45Sx6FFORX .....	1.....	HOSE 2
2	43822	HOSE ASM, 3/8"x46.75 6FFORX45x6FFORX.....	1.....	HOSE 23
3	43824	HOSE ASM, 3/8"x47.75 6FFORX45Sx6FFORX .....	1.....	HOSE 24
4	43712	HOSE ASM, 3/8"x40 6FFORX45Sx6FFORX .....	1.....	HOSE 3
5	43713	HOSE ASM, 3/8"x40 6FFORX45Sx6FFORX .....	1.....	HOSE 4
6	43710	HOSE ASM, 3/8"x54 6FFORX45Sx6FFORX .....	1.....	HOSE 1

# HYD. HOSE ASSY. (HYD. STEERING VALVES #2)

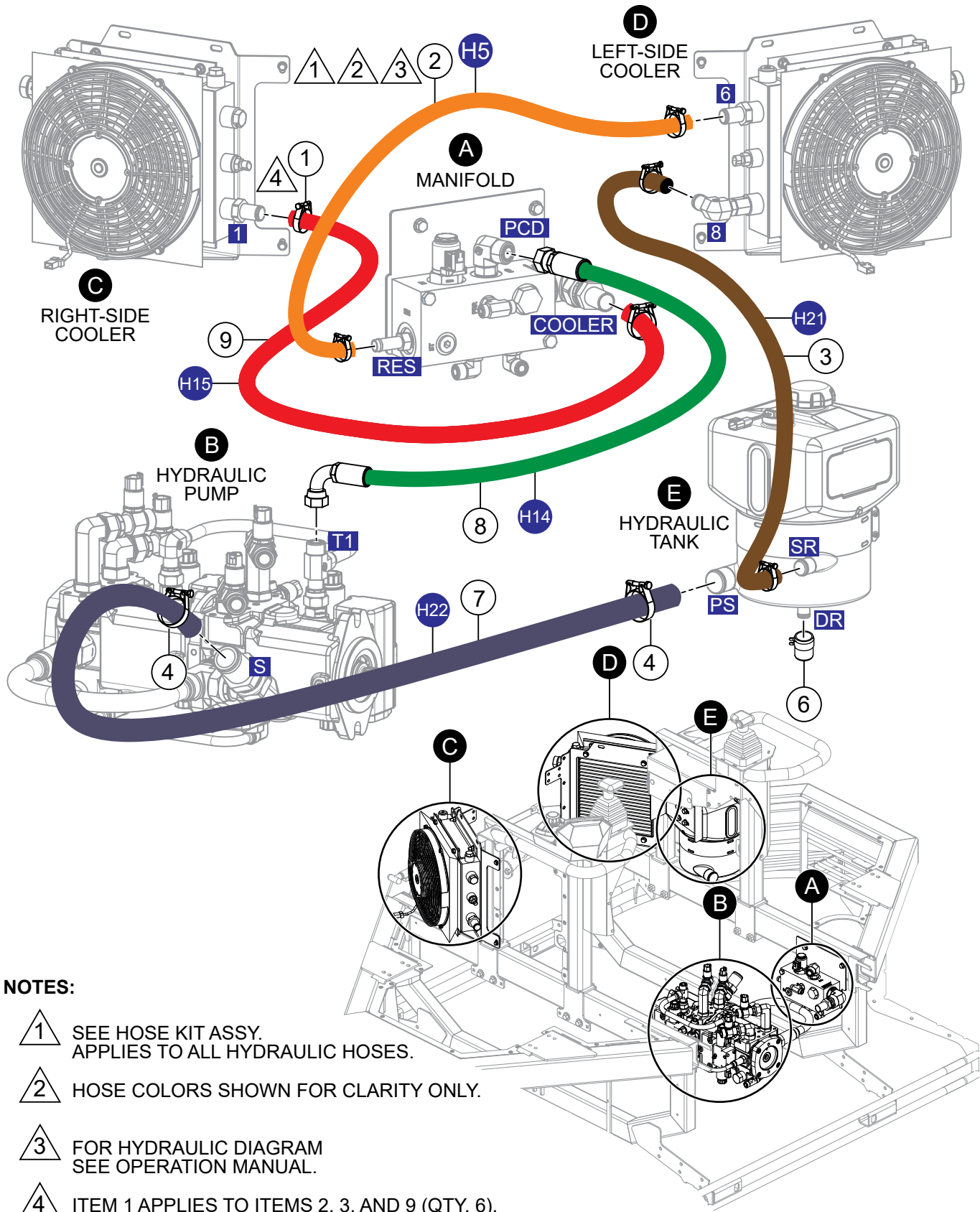


## HYD. HOSE ASSY. (HYD. STEERING VALVES #2)

---

<u>NO.</u>	<u>PART NO.</u>	<u>PART NAME</u>	<u>QTY.</u>	<u>REMARKS</u>
1	43809	HOSE ASM, 1/2"x40 6FFORX90Sx6FFORX .....	1.....	HOSE 13
2	43804	HOSE ASM, 3/8"x35.75 6FFORXx6FFORX.....	1.....	HOSE 8
3	43812	HOSE ASM, 5/8"x63 6FFORXx6FFORX.....	1.....	HOSE 16
4	43825	HOSE ASM, 3/8"x38 06FFORXSx06FFORX .....	1.....	HOSE 25

# HYD. HOSE ASSY. (HYD. TANK AND COOLERS)



## NOTES:

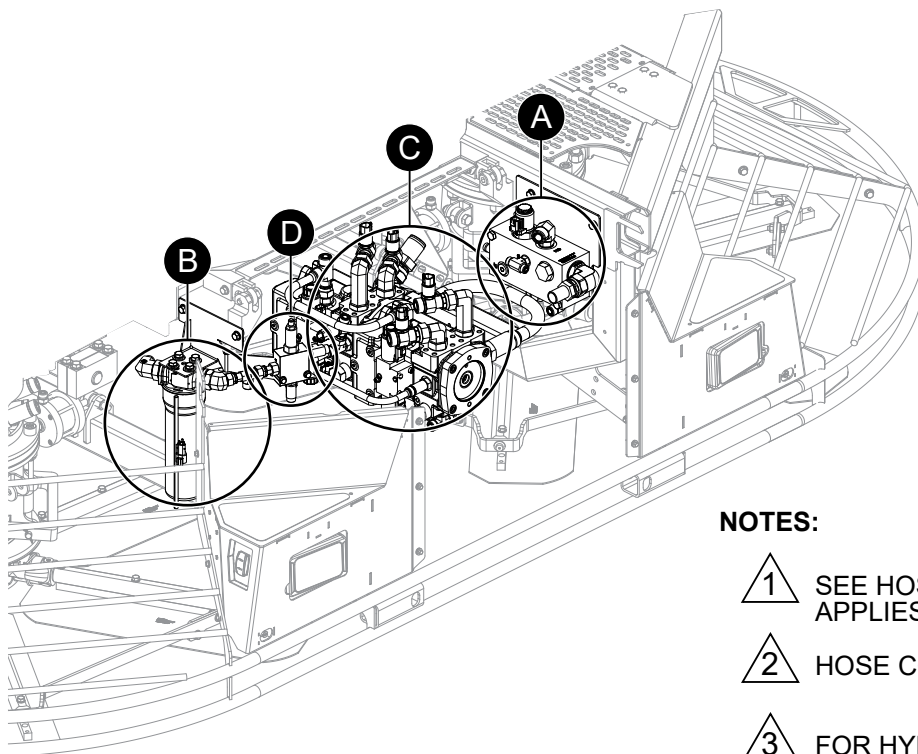
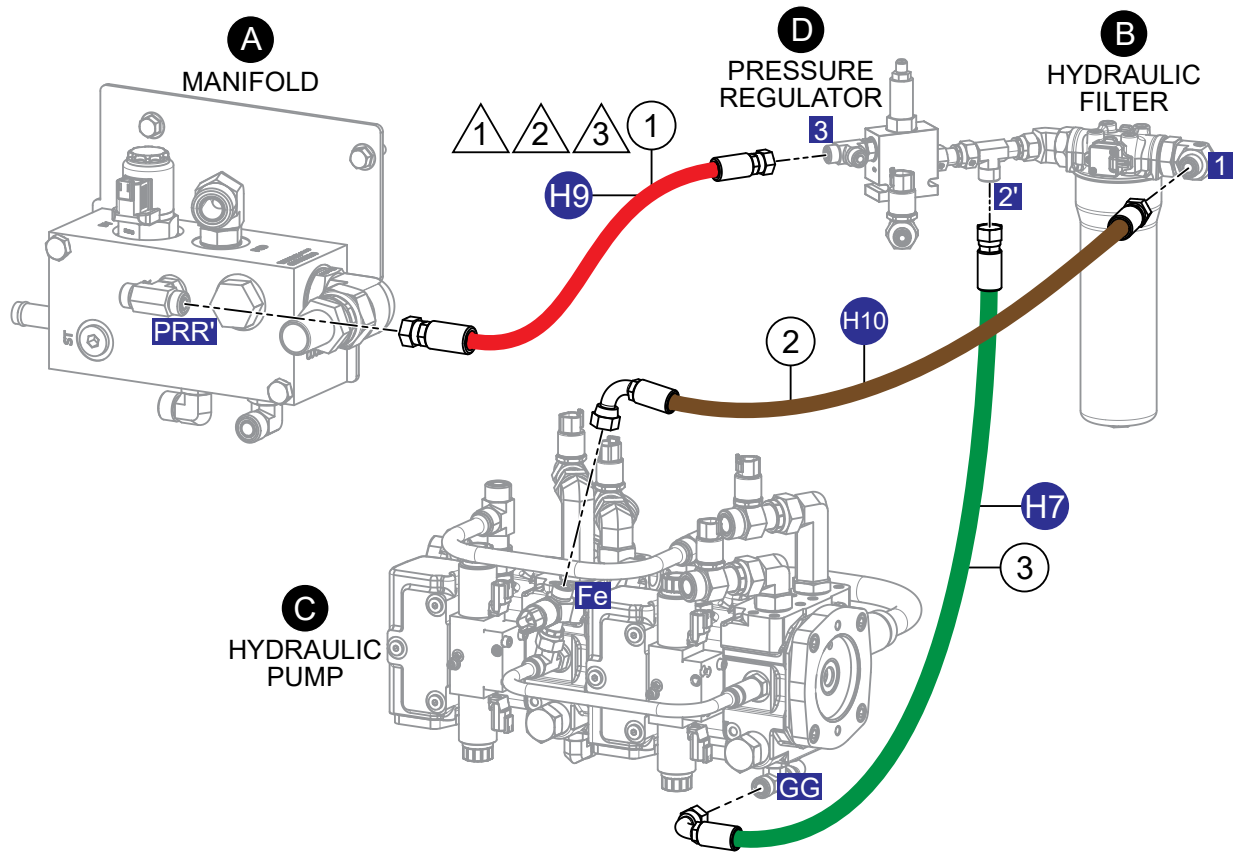
- 1 SEE HOSE KIT ASSY. APPLIES TO ALL HYDRAULIC HOSES.
- 2 HOSE COLORS SHOWN FOR CLARITY ONLY.
- 3 FOR HYDRAULIC DIAGRAM SEE OPERATION MANUAL.
- 4 ITEM 1 APPLIES TO ITEMS 2, 3, AND 9 (QTY. 6).

## HYD. HOSE ASSY. (HYD. TANK AND COOLERS)

---

<u>NO.</u>	<u>PART NO.</u>	<u>PART NAME</u>	<u>QTY.</u>	<u>REMARKS</u>
1	59796	CLAMP, T-BOLT 1 3/8 - 1 9/16 IN	6	
2	43714	HOSE, 1"X37.50 E-Z FORM.....	1.....	HOSE 5
3	43819	HOSE, 1"X23 E-Z FORM.....	1.....	HOSE 21
4	42988	CLAMP HOSE T-BOLT 1 7/8" - 2 1/8"	2	
6	45645	DRAIN CAP W/SPRING CLAMP	1	
7	43821	HOSE, 1.5"X17.0 E-Z FORM.....	1.....	HOSE 22
8	43810	HOSE ASM, 5/8"x24 10FFORX90Sx10FFORX .....	1.....	HOSE 14
9	43811	HOSE ASM, 5/8"x74 10FFORX90Sx10FFORX .....	1.....	HOSE 15

# HYD. HOSE ASSY. (HYD. FILTER/PRESSURE REGULATOR)



## NOTES:

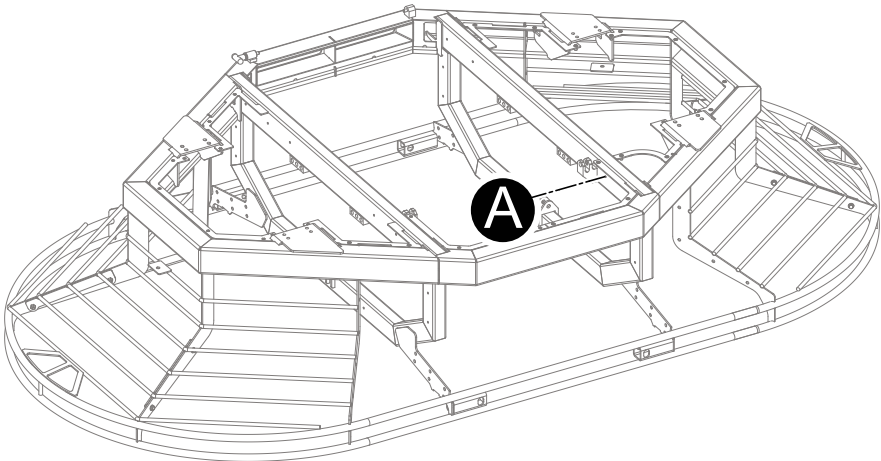
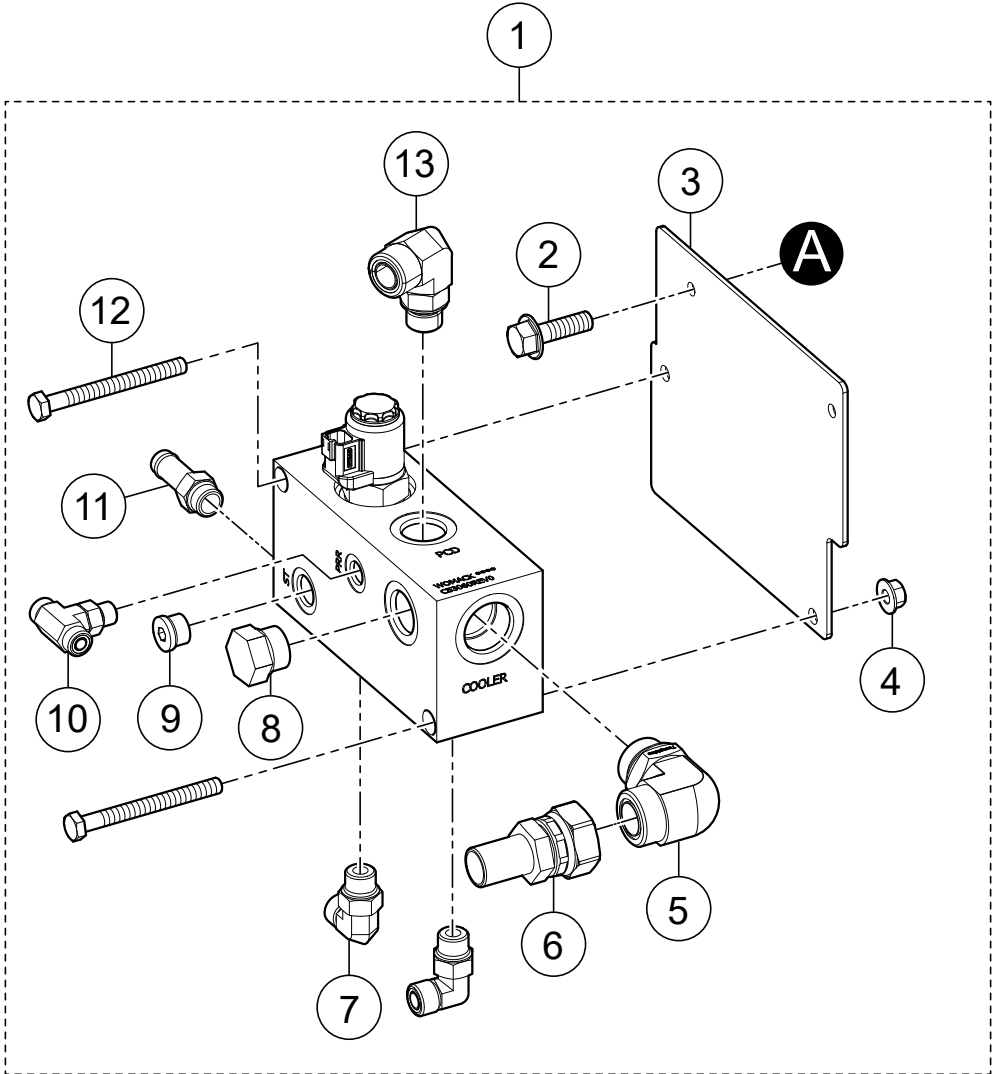
- △ 1 SEE HOSE KIT ASSY.  
APPLIES TO ALL HYDRAULIC HOSES.
- △ 2 HOSE COLORS SHOWN FOR CLARITY ONLY.
- △ 3 FOR HYDRAULIC DIAGRAM  
SEE OPERATION MANUAL.

## **HYD. HOSE ASSY. (HYD. FILTER/PRESSURE REGULATOR)**

---

<u>NO.</u>	<u>PART NO.</u>	<u>PART NAME</u>	<u>QTY.</u>	<u>REMARKS</u>
1	43805	HOSE ASM, 3/8"x27 6FFORXSx6FFORX .....	1.....	HOSE 9
2	43806	HOSE ASM, 1/2"x17.5 8FFORX90Sx8FFORX .....	1.....	HOSE 10
3	43803	HOSE ASM, 1/2"x20 8FFORX90Sx8FFORX .....	1.....	HOSE 7

**MANIFOLD ASSY.**

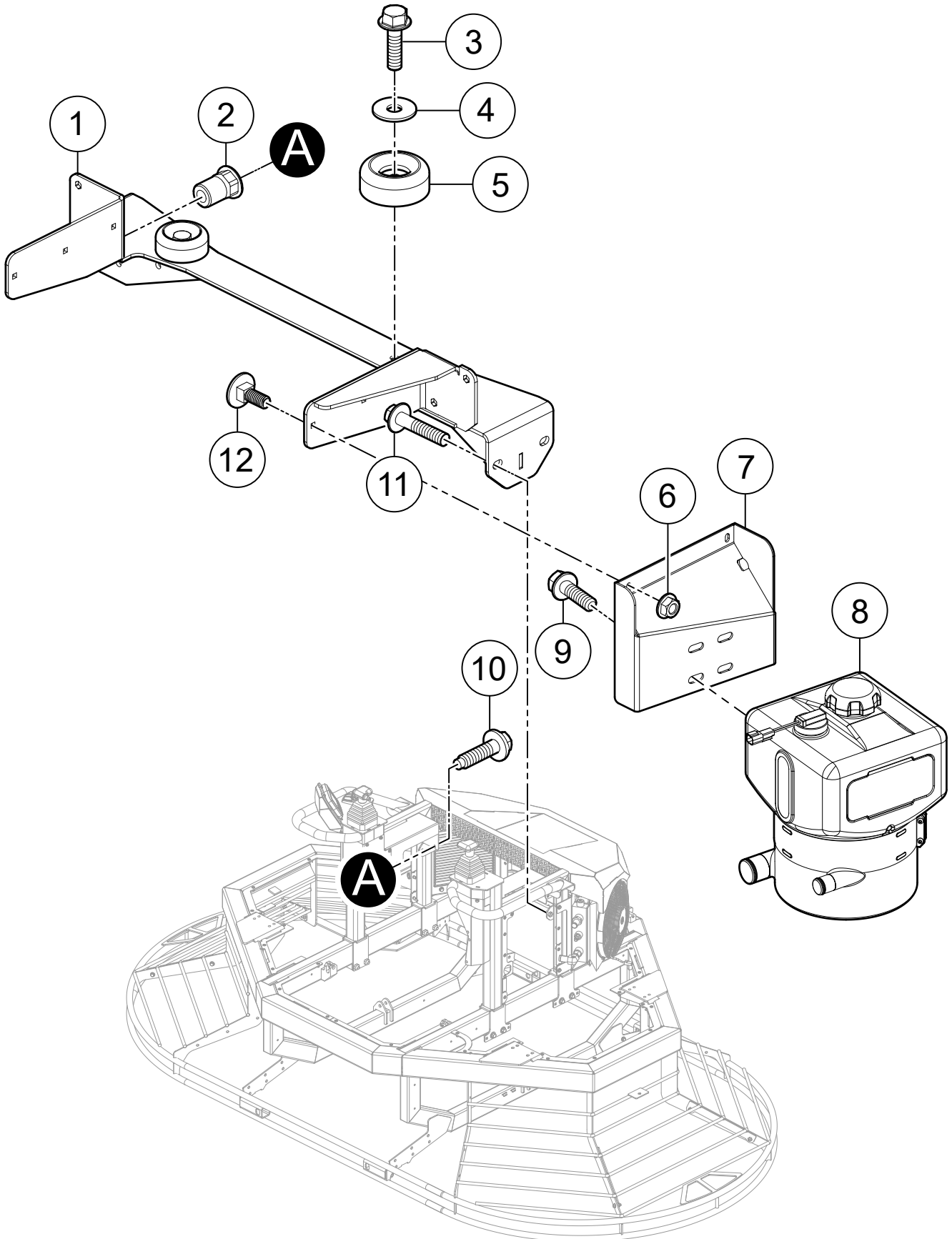


## MANIFOLD ASSY.

---

<u>NO.</u>	<u>PART NO.</u>	<u>PART NAME</u>	<u>QTY.</u>	<u>REMARKS</u>
1	43173	MANIFOLD, CASE DRAIN .....	1.....	INCLUDES ITEMS W/\$
2\$	42436	SCREW, HFS, ZP, M8-1.25 X 25, CLASS 8.8	2	
3\$	43632	BRACKET, UNLOADER VALVE	1	
4\$	42353	NUT, HEX, SERRATED-FLANGE, M10-1.5	2	
5\$	32424	FITTING, 90° 16MORFS X 16MOR	1	
6\$	43350	FITTING, STR, 16 BARB - 16 ORFS	1	
7\$	32718	FITTING, 90° 8MORFS X 8MOR	2	
8\$	23271	FITTING, PLUG 12MO MAG	1	
9\$	368700	FITTING, PLUG 8MO HEX SKT HD	1	
10\$	42942	FITTING, TEE 6MORFS X 6MOR	1	
11\$	43331	FITTING, STR, -16MO, -16BARB	1	
12\$	43705	SCREW, HHC, M10-1.5 X 100MM	2	
13\$	43657	FITTING, 90DEG, -10MORFSX-12MORB	1	

# CROSSMEMBER ASSY.

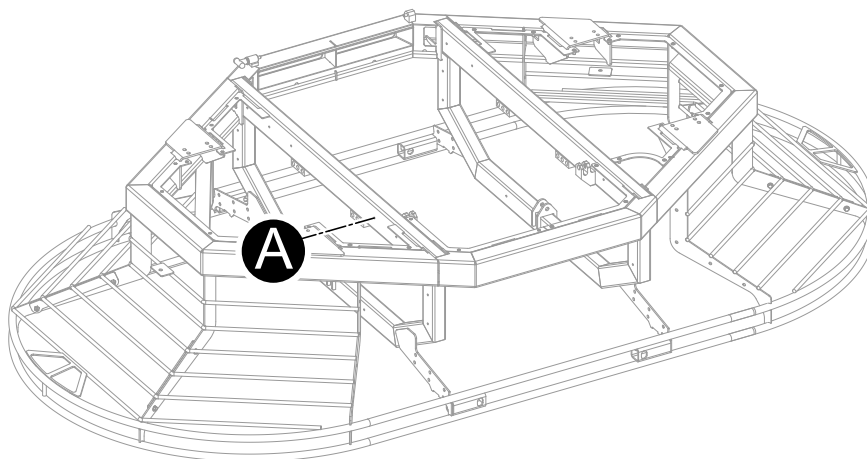
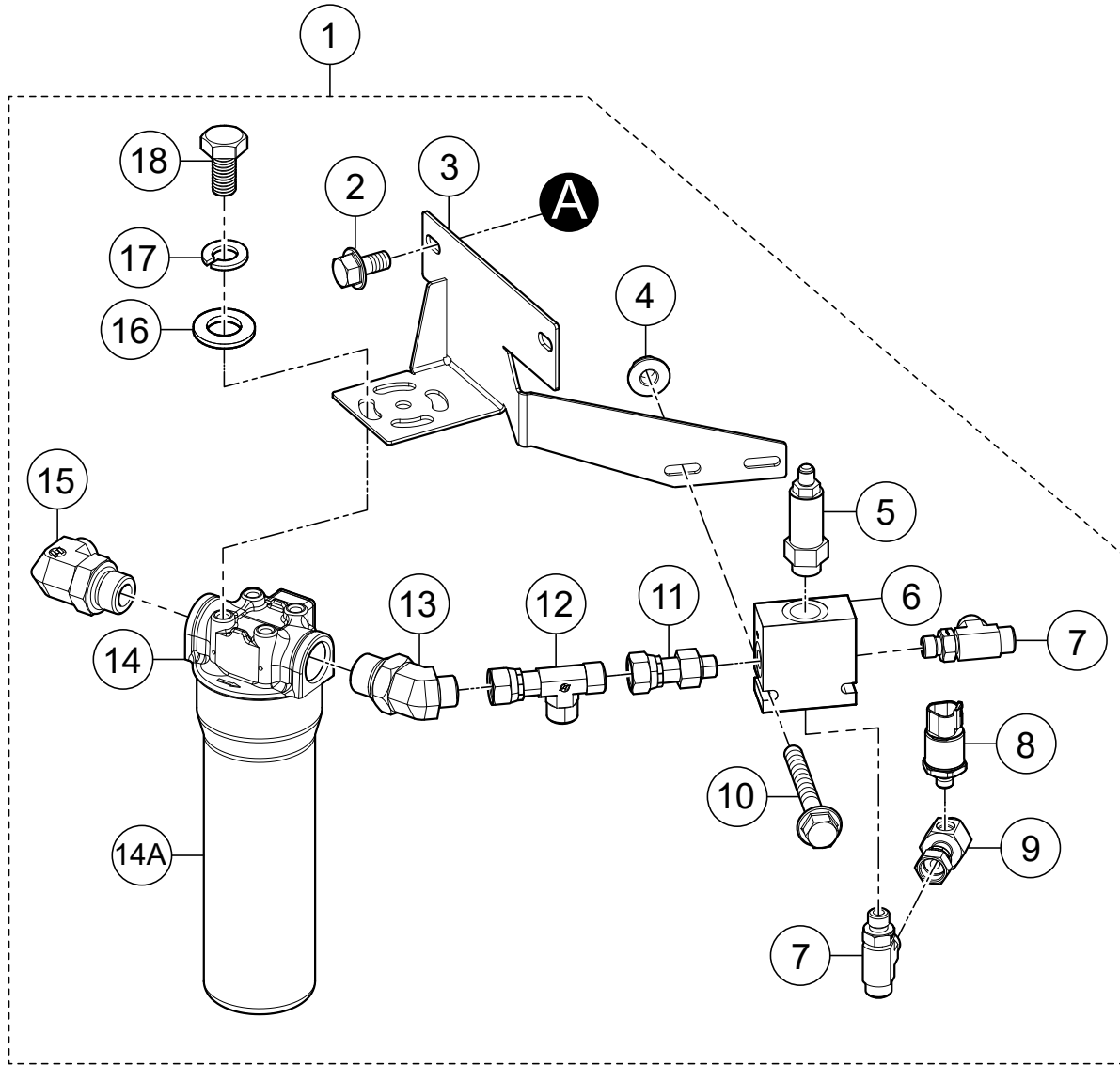


## CROSSMEMBER ASSY.

---

<u>NO.</u>	<u>PART NO.</u>	<u>PART NAME</u>	<u>QTY.</u>	<u>REMARKS</u>
1	43402	CROSSMEMBER, LIFT FRAME	1	
2	42496	NUT, BLIND HEX M6-1.0	4	
3	23792	SCREW, HHFS M8-1.25 X 30	2	
4	25591	WASHER, M8	2	
5	17336	BUMPER, 2.5" DIA X 1"	2	
6	42352	NUT, HEX, SERRATED-FLANGE, M6-1.0	2	
7	43656	BRACKET, MOUNT, HYDRAULIC TANK	1	
8	43133	CYCLONE, HYDRAULIC RESERVOIR, 2 GALLON	1	
9	22106	SCREW, HHFS 3/8-16 X 1.25 ZINC	4	
10	42325	SCREW, HHC, M6-1.0 X 20, CAPTIVE WASHER	4	
11	42340	SCREW, HHFS M10-1.5 X 35 GR 8.8	4	
12	42823	BOLT, CARRIAGE, M6-1.00 X 16	2	

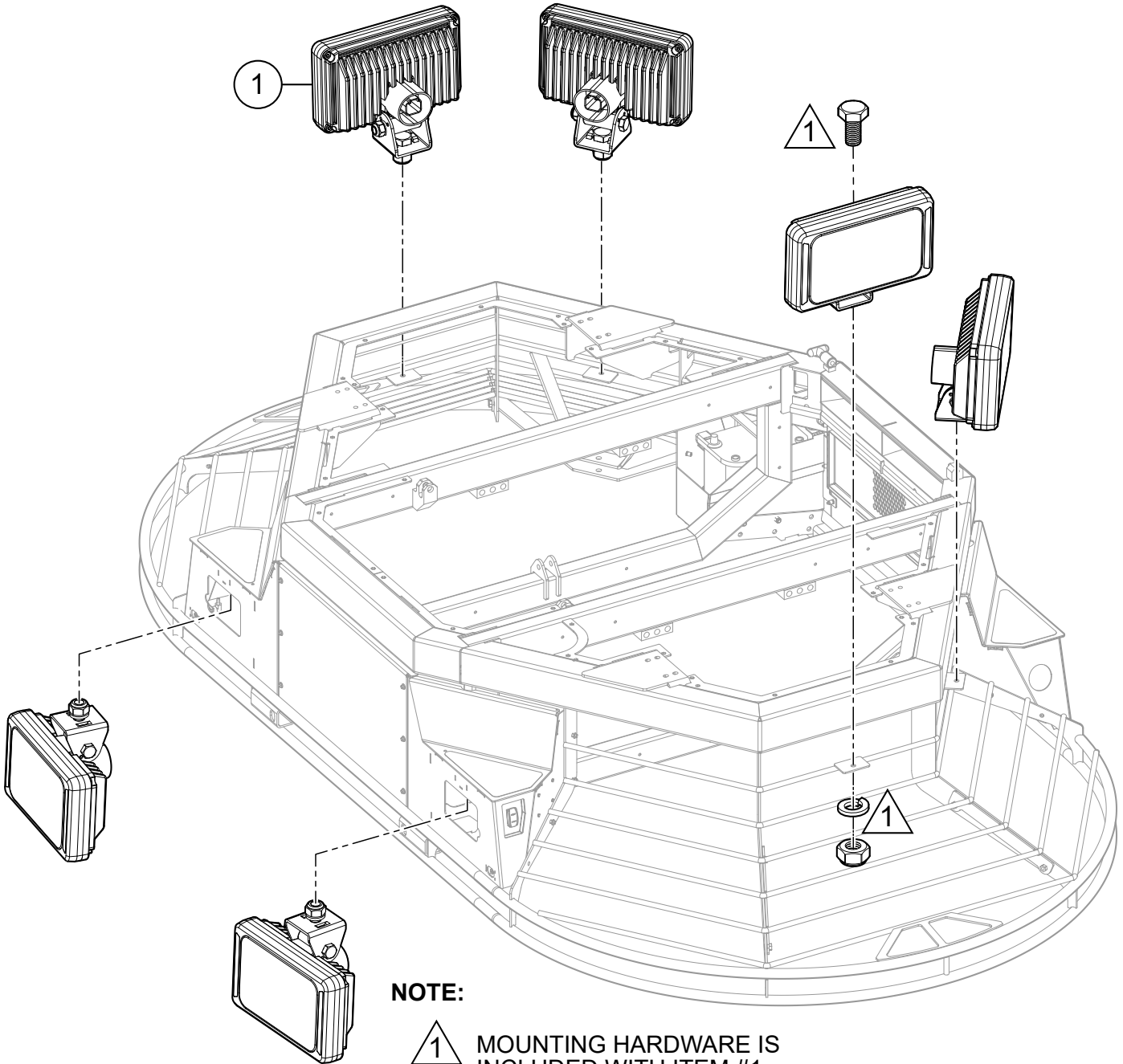
# HYDRAULIC FILTER ASSY.



## HYDRAULIC FILTER ASSY.

<u>NO.</u>	<u>PART NO.</u>	<u>PART NAME</u>	<u>QTY.</u>	<u>REMARKS</u>
1	43506	FILTER ASSEMBLY .....	1.....	INCLUDES ITEMS W/\$
2\$	42342	SCREW, HHFS, M8-1.25 X 16 GR 8.8	2	
3\$	43505	BRACKET, HYD FILTER	1	
4\$	42352	NUT, HEX, SERRATED-FLANGE, M6-1.0	2	
5\$	22831	VALVE, PRES REDUCING	1	
6\$	22832	VALVE BODY	1	
7\$	32353	FITTING, TEE 6MORFSX6MOR	2	
8\$	43119	PRESSURE TRANSDUCER, 0 – 40 BAR	1	
9\$	43507	FITTING, 6MFSX6FFSX4FOR	1	
10\$	32796	SCREW, HHFS M6-1 X 50	2	
11\$	43703	FITTING, STR, 8FORFSX6MORB	1	
12\$	43502	FITTING RUN TEE, 08 MFS 08 FFS 8 MFS	1	
13\$	32804	FITTING, 45° 8MORFS X 12MOR	1	
14\$	42616	FILTER ASSEMBLY, MED, 10 MICRON.....	1.....	INCLUDES ITEMS W/#
14A\$#	42616-1	ELEMENT, MED, PRESSURE FILTER	1	
15\$	32712	FITTING, 90° 8MORFS X 12MOR	1	
16\$	10136	WASHER, FLAT SAE 3/8"	4	
17\$	0166 A	WASHER, LOCK, 3/8" MED.	4	
18\$	4196	SCREW, HHC 3/8-16 X .75"	4	

# LIGHTS ASSY.



**NOTE:**



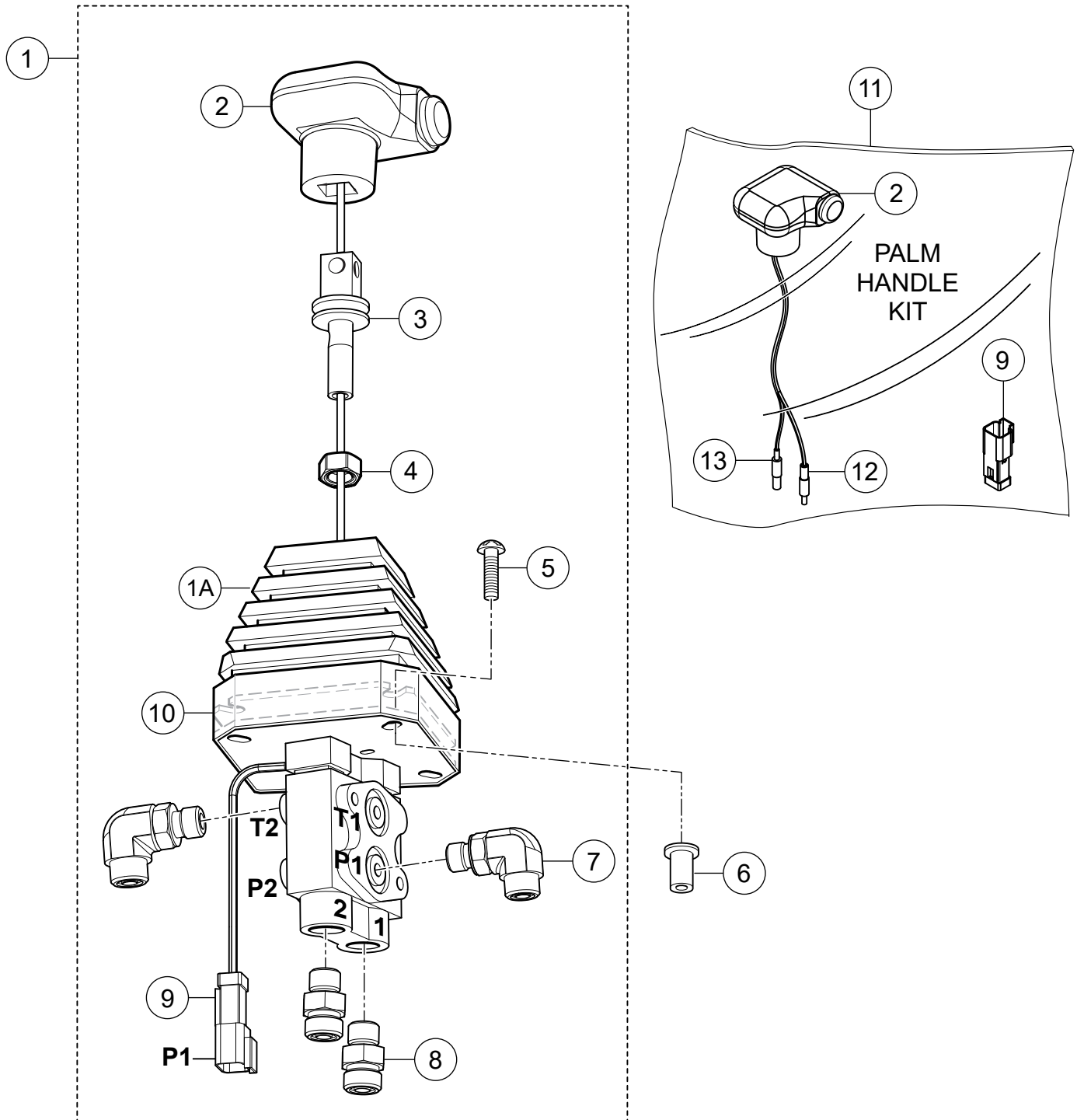
MOUNTING HARDWARE IS INCLUDED WITH ITEM #1.

# LIGHTS ASSY.

---

<u>NO.</u>	<u>PART NO.</u>	<u>PART NAME</u>	<u>QTY.</u>	<u>REMARKS</u>
1	42263	LIGHT, LED 20W 6 EMITTERS 60°	6	

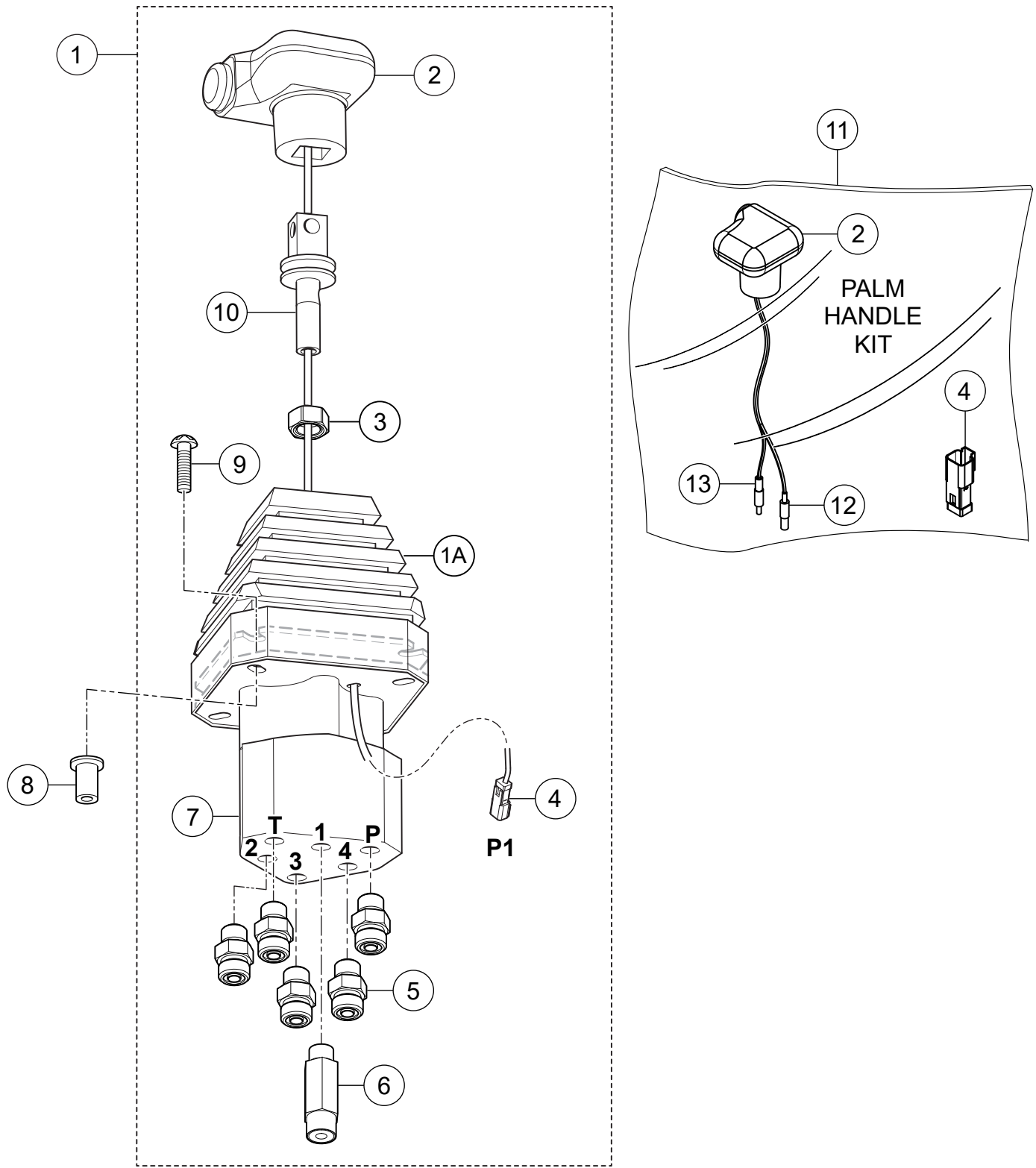
# LEFT-HAND STEERING VALVE ASSY.



## LEFT-HAND STEERING VALVE ASSY.

<u>NO.</u>	<u>PART NO.</u>	<u>PART NAME</u>	<u>QTY.</u>	<u>REMARKS</u>
1	43740	VALVE ASSY., LH STEERING W/SWITCH .....	1.....	INCLUDES ITEMS W/#
1A#	21631	BOOT, STEERING HANDLE	1	
2#%	22001	HANDLE, PALM W/SWITCH, LEFT	2	
3#	21053	ADAPTOR, LH PALM HANDLE	1	
4#	16083	NUT, HEX M12-1.75 NO PLATE	1	
5#	42325	SCREW, BHSC, M6-1.0 X 20, FLANGED	4	
6	42496	NUT, BLIND HEX M6-1.0	4	
7#	32354	FITTING, 90° -6MORFS X -6MOR	2	
8#	32341	FITTING, STR -6MORFS X -6MOR	2	
9#%	37402	CONNECTOR KIT, MALE 2 POSITION	2	
10#	20833	VALVE, LH STEERING	1	
11	20150	KIT, PALM HANDLE LEFT, W/SWITCH.....	1.....	INCLUDES ITEMS W/%
12%	1318	TERMINAL, BULLET, FEM, 18-22	2	
13%	4692	TERMINAL, BULLET, .156 MALE, 14-16 GA	2	

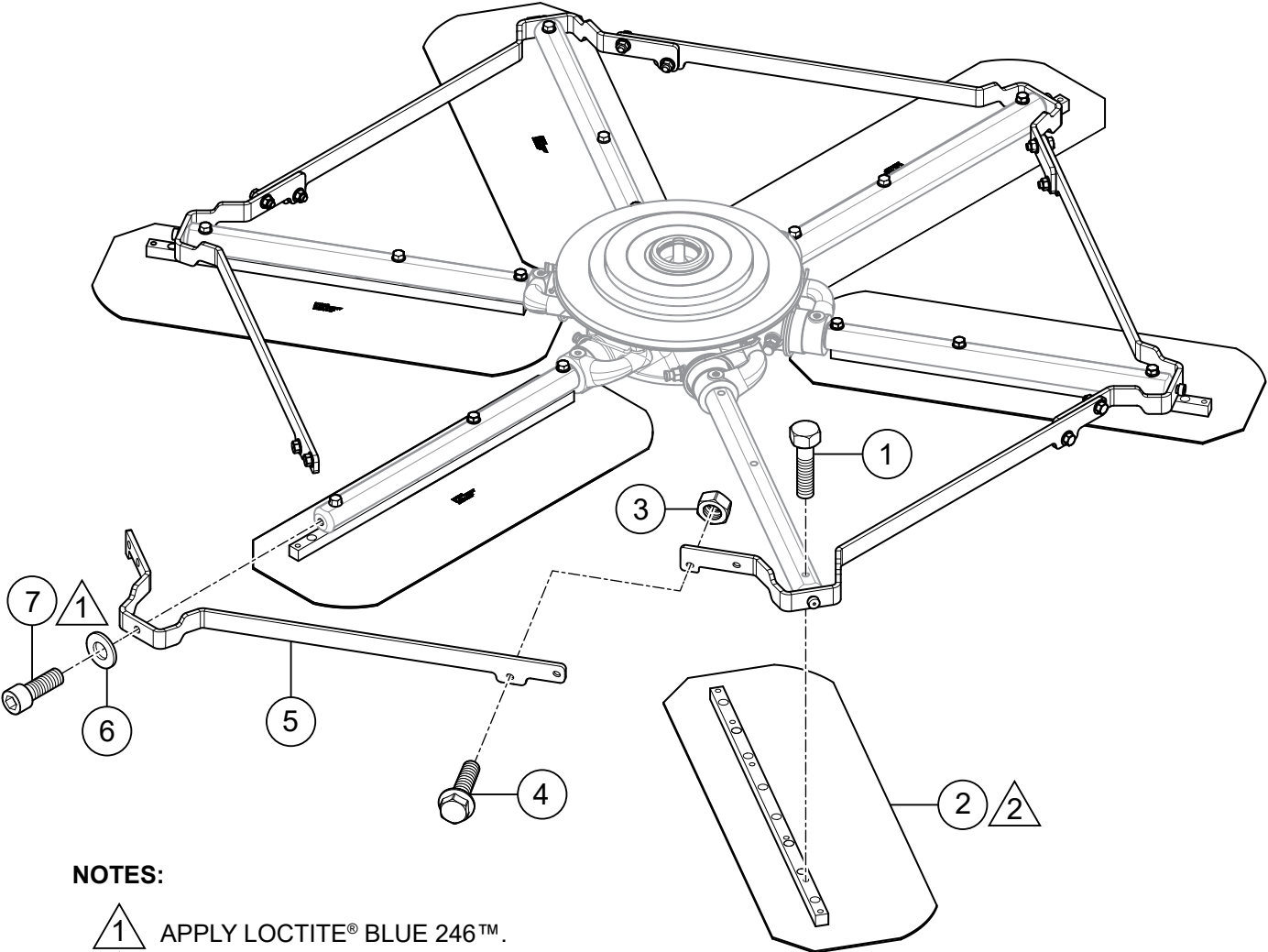
# RIGHT-HAND STEERING VALVE ASSY.



## RIGHT-HAND STEERING VALVE ASSY.

<u>NO.</u>	<u>PART NO.</u>	<u>PART NAME</u>	<u>QTY.</u>	<u>REMARKS</u>
1	43741	VALVE ASSY., RH STEERING W/SWITCH.....	1	INCLUDES ITEMS W/#
1A#	21631	BOOT, STEERING HANDLE	1	
2#%	12999	HANDLE, PALM W/SWITCH, RIGHT	2	
3#	16083	NUT, HEX M12-1.75 NO PLATE	1	
4#%	37402	CONNECTOR KIT, MALE 2 POSITION	2	
5#	32341	FITTING, STR -6MORFS X -6MOR	5	
6#	32454	FITTING, STR 6MOR X 6MORFS LONG	1	
7#	20832	VALVE, RH STEERING	1	
8	43655	NUT, BLIND HEX M6-1.0 4.2MM-6.6MM	4	
9#	42325	SCREW, HHC, M6-1.0 X 20, CAPTIVE WASHER	4	
10#	20834	ADAPTOR, RH PALM HANDLE	1	
11	20155	KIT, PALM HANDLE RIGHT, W/SWITCH .....	1	INCLUDES ITEMS W/%
12%	1318	TERMINAL, BULLET, FEM, 18-22	2	
13%	4692	TERMINAL, BULLET, .156 MALE, 14-16 GA	2	

# STABILIZER ASSY.



**NOTES:**

- 1 APPLY LOCTITE® BLUE 246™.
- 2 CONTACT UNIT SALES FOR ADDITIONAL BLADE TYPES

## STABILIZER ASSY.

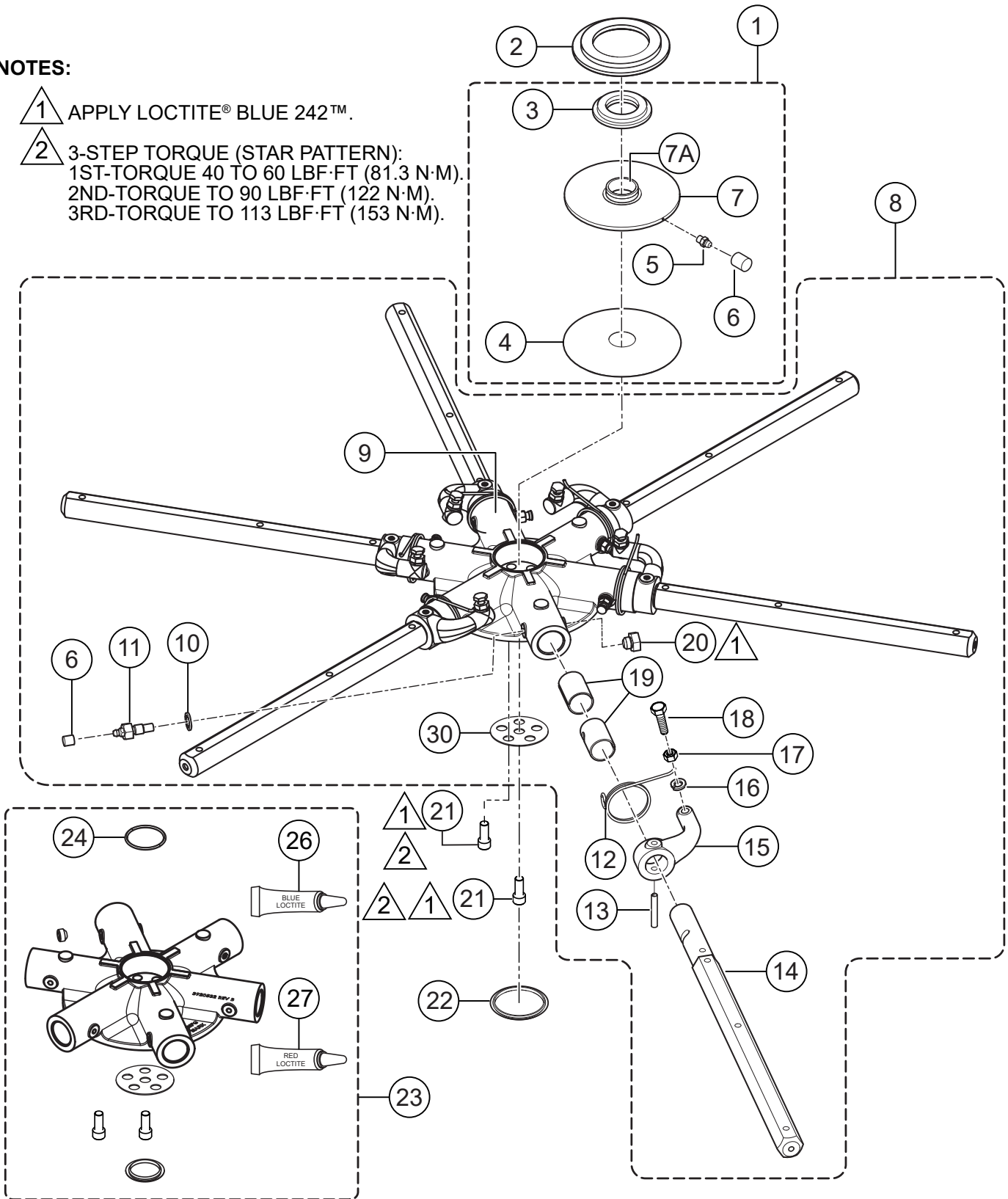
---

<u>NO.</u>	<u>PART NO.</u>	<u>PART NAME</u>	<u>QTY.</u>	<u>REMARKS</u>
1	22174	SCREW, HHFS 5/16-18 X 1.75 GR5	36	
2	11997	BLADE ASSEMBLY, 8 X 23 STD STC	12	
3	23802	NUT, HEX FLANGE M8-1.25 SERRATED	24	
4	42436	SCREW, HFS, ZP, M8-1.25 X 25, CLASS 8.8	24	
5	43195	STRUT, STABILIZER GEN 4	12	
6	28275-001	WASHER, FLAT, 5/16 USS HI-STRENGTH	12	
7	3910382	SCREW, SHDLR 3/8D X 3/8L, 5/16-1, SCKT HD	12	

# 6-BLADE SPIDER ASSY. (LEFT-SIDE)

**NOTES:**

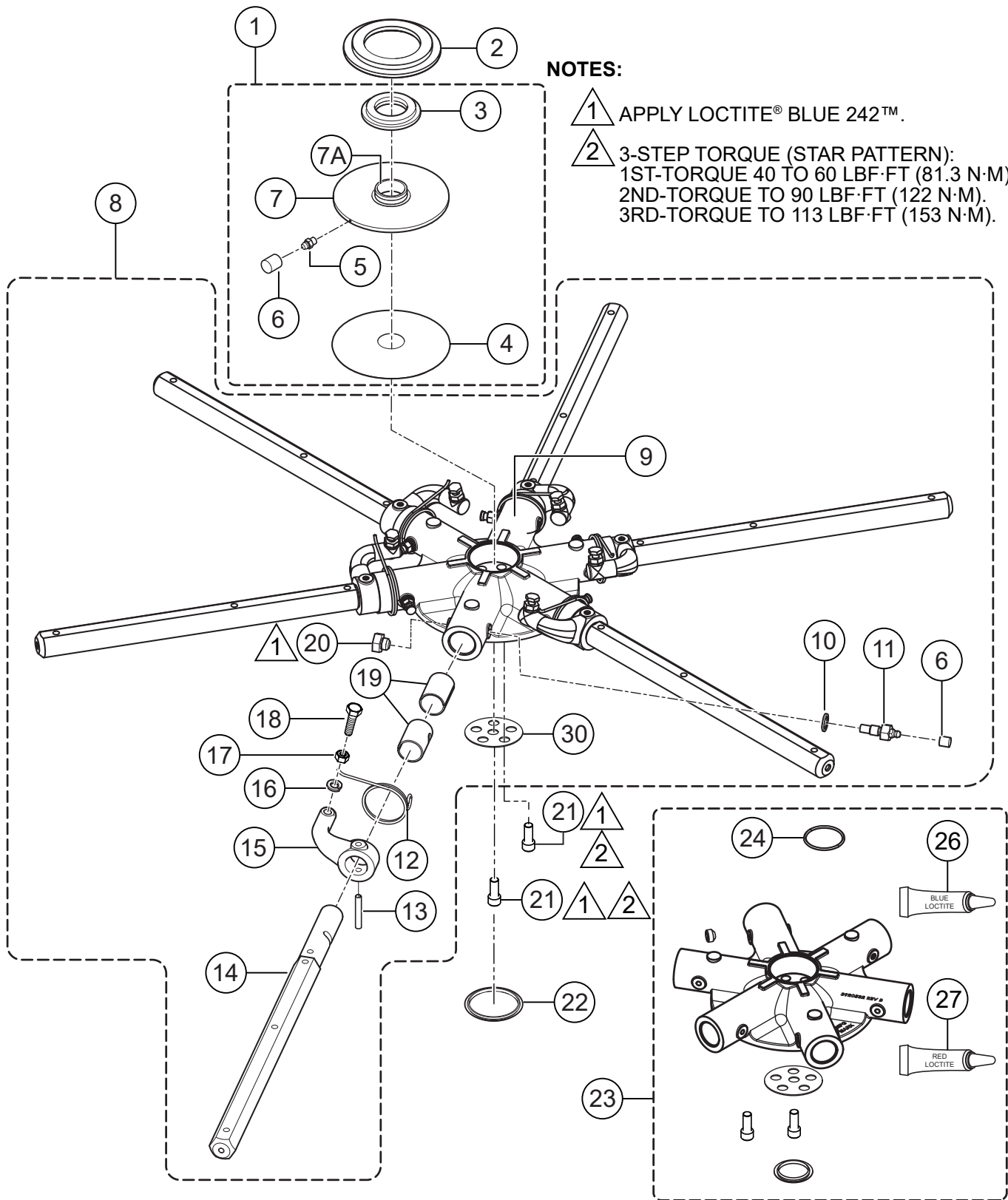
- 1 APPLY LOCTITE® BLUE 242™.
- 2 3-STEP TORQUE (STAR PATTERN):  
 1ST-TORQUE 40 TO 60 LBF·FT (81.3 N·M).  
 2ND-TORQUE TO 90 LBF·FT (122 N·M).  
 3RD-TORQUE TO 113 LBF·FT (153 N·M).



## 6-BLADE SPIDER ASSY. (LEFT-SIDE)

<u>NO.</u>	<u>PART NO.</u>	<u>PART NAME</u>	<u>QTY.</u>	<u>REMARKS</u>
1	20939	THRUST COLLAR ASSEMBLY .....	1.....	INCLUDES ITEMS W/@
2	43089	COLLAR, BEARING EXTENDER	1	
3@	12779	BEARING, THRUST 6017 2RS WIFLANGE	1	
4@	12250	PLATE, WEAR	1	
5@	2621	ZERK, GREASE STR 114-28	1	
6@#	1162 A	CAP, GREASE ZERK #2	2	
7@	12315	THRUST COLLAR W/ BUSHING	1	
7A@	12316	BUSHING, THRUST COLLAR W/ HOLE	1	
8	48337	SPIDER, 6 BLD HUB L.S. ASSEMBLY .....	1.....	INCLUDES ITEMS W/#
9#\$	43102	SPIDER PLATE, RD HUB 6BLD.....	1.....	NO LONGER AVAILABLE
10#	1875	WASHER, EXT. SHKP, 3/8" PLTD	6	
11#	1322	SCREW ASSY., TROWEL ARM RETAINING	6	
12#	9111	SPRING, LS H ARM RETURN STD BOSS	6	
13#	32045	PIN, SPIRAL 5/16 X 2 NP	6	
14#	11991	ARM, TROWEL, 6 BLADE	6	
15#	21049	LEVER, TROWEL ARM HYD L.S.	6	
16#	2955	WASHER, LOCK, 7/16" ZINC	6	
17#	07034-007	NUT, HEX JAM 7/16-14 PLATED	6	
18#	21031	SCREW, HHC ROUNDED 7/16-14 UNC SPCL	6	
19#	11039	BUSHING, ARM	12	
20#\$	11602	SCREW, SHS 3/8-16 X 1/4"	6	
21\$	48184	SCREW, SHC M14-2.0 X 30, 12.9	6	
22\$	43729	CAP PLUG, SPIDER HUB	1	
23	48182-SK	SERVICE KIT, 6BLD SQR SPIDER PLATE.....	1.....	INCLUDES ITEMS W/\$
24\$	43186	O-RING, SIZE 2-226 VITON	1	
26\$	1477	LOCTITE 242 BLUE .5CC	1	
27\$	19379-014	LOCTITE, #271 ANAEROBIC	1	
30\$	48183	WASHER, HARDEND M14, SPIDER HUB	1	

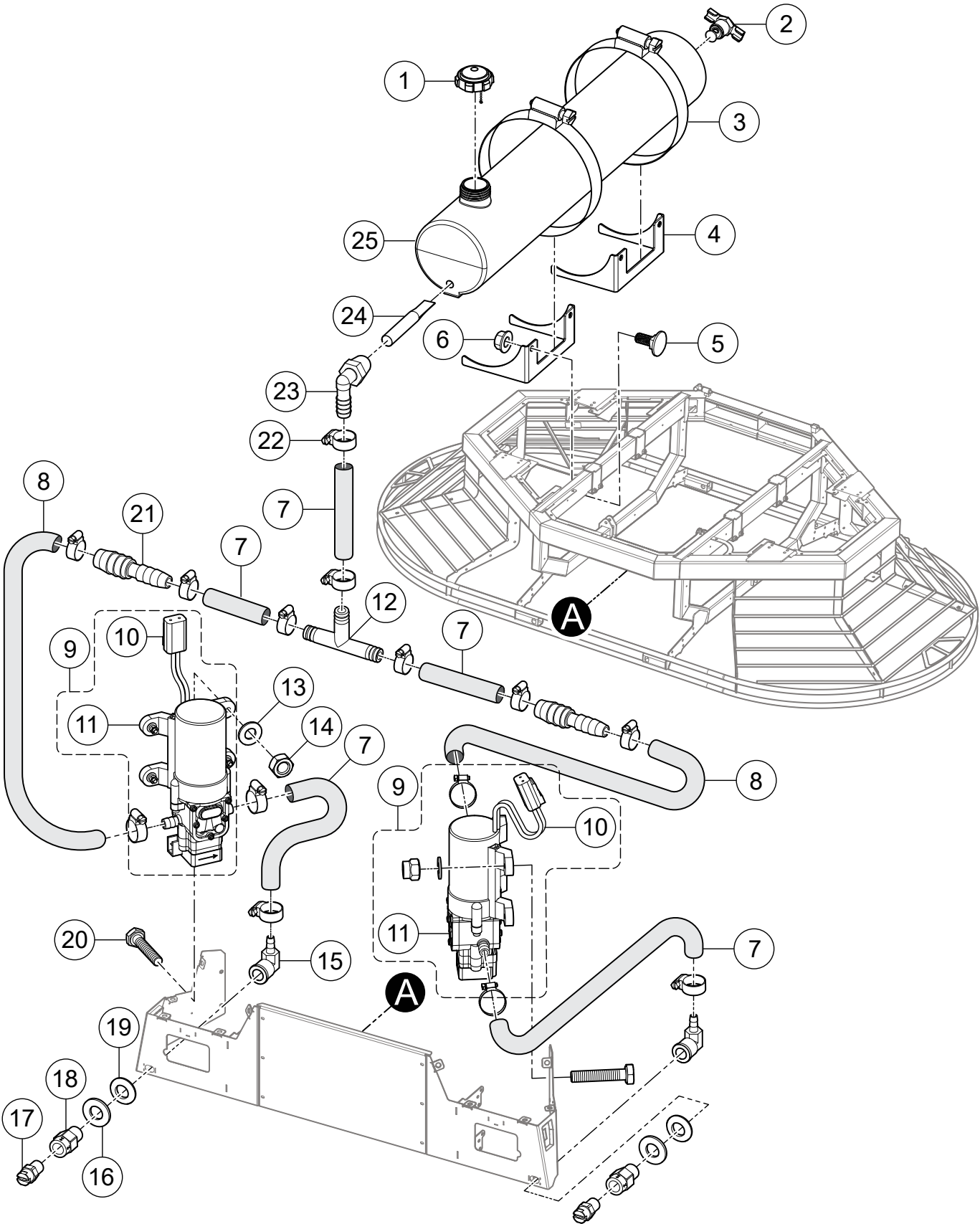
# 6-BLADE SPIDER ASSY. (RIGHT-SIDE)



## 6-BLADE SPIDER ASSY. (RIGHT-SIDE)

<u>NO.</u>	<u>PART NO.</u>	<u>PART NAME</u>	<u>QTY.</u>	<u>REMARKS</u>
1	20939	THRUST COLLAR ASSEMBLY .....	1.....	INCLUDES ITEMS W/@
2	43089	COLLAR, BEARING EXTENDER	1	
3@	12779	BEARING, 85MM X 130MM, FLANGED	1	
4@	12250	PLATE, WEAR	1	
5@	2621	FITTING, GREASE ZERK STR 1/4-28	1	
6@#	1162 A	CAP, GREASE ZERK, #2 YELLOW	2	
7@	12315	THRUST COLLAR W/BUSHING	1	
7A@	12316	BUSHING, THRUST COLLAR W/ HOLE	1	
8	48336	SPIDER, 6 BLD HUB R.S. ASM .....	1.....	INCLUDES ITEMS W/#
9#\$	43102	SPIDER PLATE, RD HUB 6BLD.....	1.....	NO LONGER AVAILABLE
10#	1875	WASHER, EXT. SHKP, 3/8 PLTD	6	
11#	1322	SCREW ASM, TROWEL ARM RETAINING	6	
12#	2143	SPRING, RS H ARM RETURN STD BOSS	6	
13#	32045	PIN, SPIRAL 5/16 X 2 NP	6	
14#	11991	ARM, TROWEL, 6 BLADE	6	
15#	21050	LEVER, TROWEL ARM HYD R.S.	6	
16#	2955	WASHER, LOCK, 7/16 ZINC	6	
17#	07034-007	NUT, HEX JAM 7/16-14 PLATED	6	
18#	21031	SCREW, HHC ROUNDED 7/16-14 UNC SPCL	6	
19#	11039	BUSHING, ARM 2 PIECE	12	
20#\$	11602	SCREW, SHS 3/8-16 X 1/4	6	
21\$	48184	SCREW, SHC M14-2.0 X 30, 12.9	6	
22\$	43729	CAP PLUG, SPIDER HUB	2	
23	48182-SK	SERVICE KIT, 6BLD SQR SPIDER PLATE.....	1.....	INCLUDES ITEMS W/\$
24\$	43186	O-RING, SIZE 2-226 VITON	1	
26\$	1477	LOCTITE 242 BLUE .5CC	1	
27\$	19379-014	LOCTITE, #271 ANAEROBIC	1	
30\$	48183	WASHER, SPIDER	1	

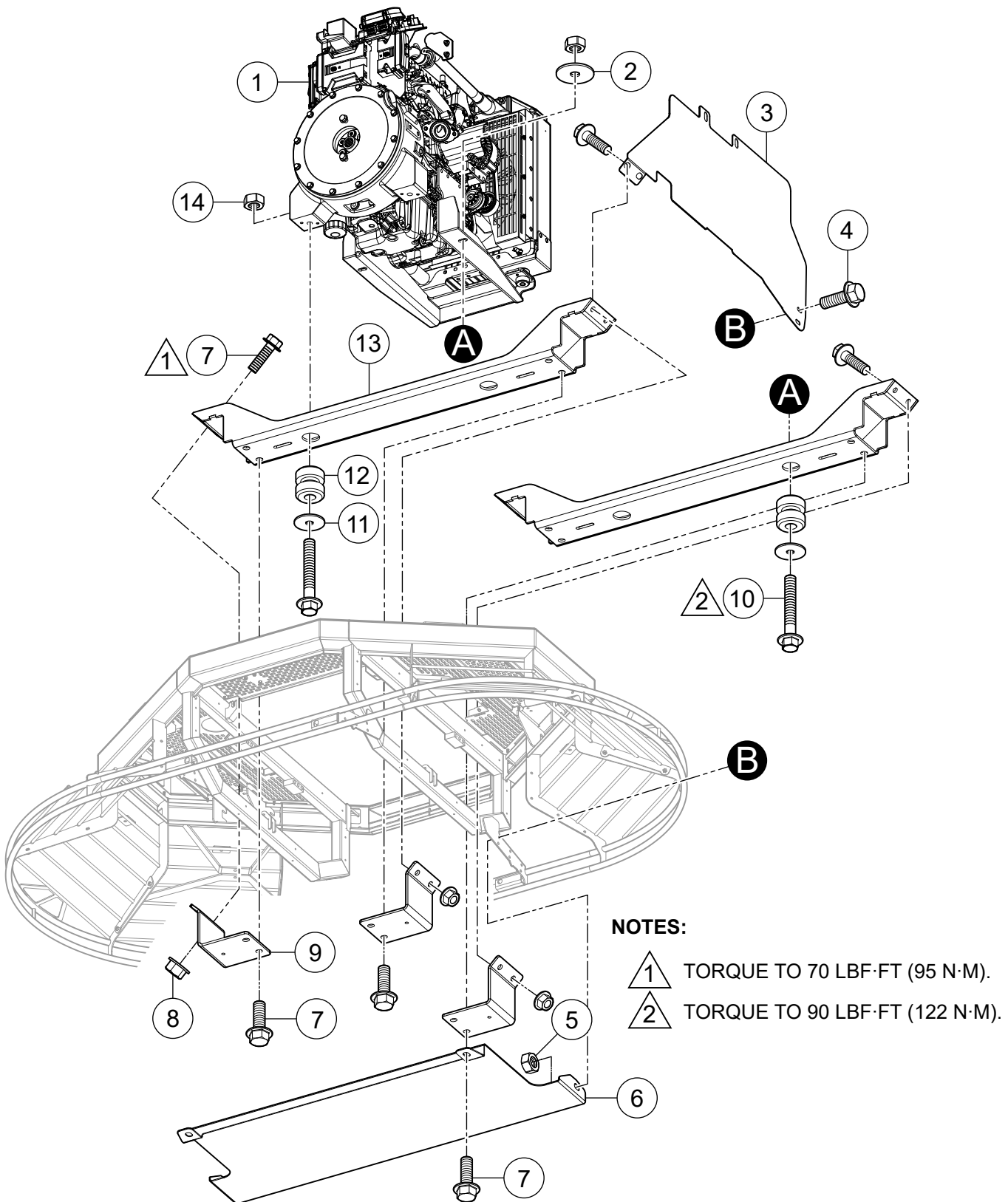
**SPRAY ASSY.**



## SPRAY ASSY.

<u>NO.</u>	<u>PART NO.</u>	<u>PART NAME</u>	<u>QTY.</u>	<u>REMARKS</u>
1	2108	CAP, SPRAY TANK	1	
2	2478	FITTING, PETCOCK RAD DRAIN 1/4" MP	1	
3	10463	CLAMP, WORM #44	2	
4	43582	HOLDER, RETARDANT TANK	2	
5	42822	BOLT, CARRIAGE M8-1.25 X 20	4	
6	23802	NUT, HEX FLANGE M8-1.25 SERRATED	4	
7	60021	HOSE, 3/8" ID X 5/8" OD, BRAIDED PVC 7 FT. ....	7	1PC=1FT
8	60067	HOSE, 0.25" ID X 0.375" OD, BRAIDED PVC 18 IN.....	2	1PC=1FT
9	30547	PUMP ASSEMBLY .....	2	INCLUDES ITEMS W/#
10#	37403	CONNECTOR KIT, FEM DEUTSCH DT06-2S	2	
11#	30540	PUMP, RETARDANT SPRAY	2	
12	23307	TEE, .375" PLASTIC BARB	1	
13	28922-058	WASHER M5	8	
14	15518-004	NUT, HHC, NYLOC, M4-0.7	8	
15	2912	FITTING, BRASS 90° 4BARB-1/4FP	2	
16	16630	WASHER, FLAT SAE 1/2" HI STRENGTH	2	
17	392292	NOZZLE, SPRAY	2	
18	42637	CHECK VALVE, 1/4" MNPT X 1/4" FNPT 3 PSI	2	
19	2898	WASHER, BONDED NEOPRENE 1" X 1/2"	2	
20	42894	SCREW, HHC M4-0.7 X 20MM	8	
21	10022	FITTING, PLASTIC 6 BARB-4 BARB	2	
22	15538	CLAMP, WORM #6	10	
23	2925	ELBOW, 90° 3/8" BARB 3/8" NPT-M	1	
24	2926	SCREEN, STRAINER	1	
25	2916	1/8" WALL POLY LINEAR OR CROSS LINK PLASTIC	1	

# ENGINE MOUNTING ASSY.

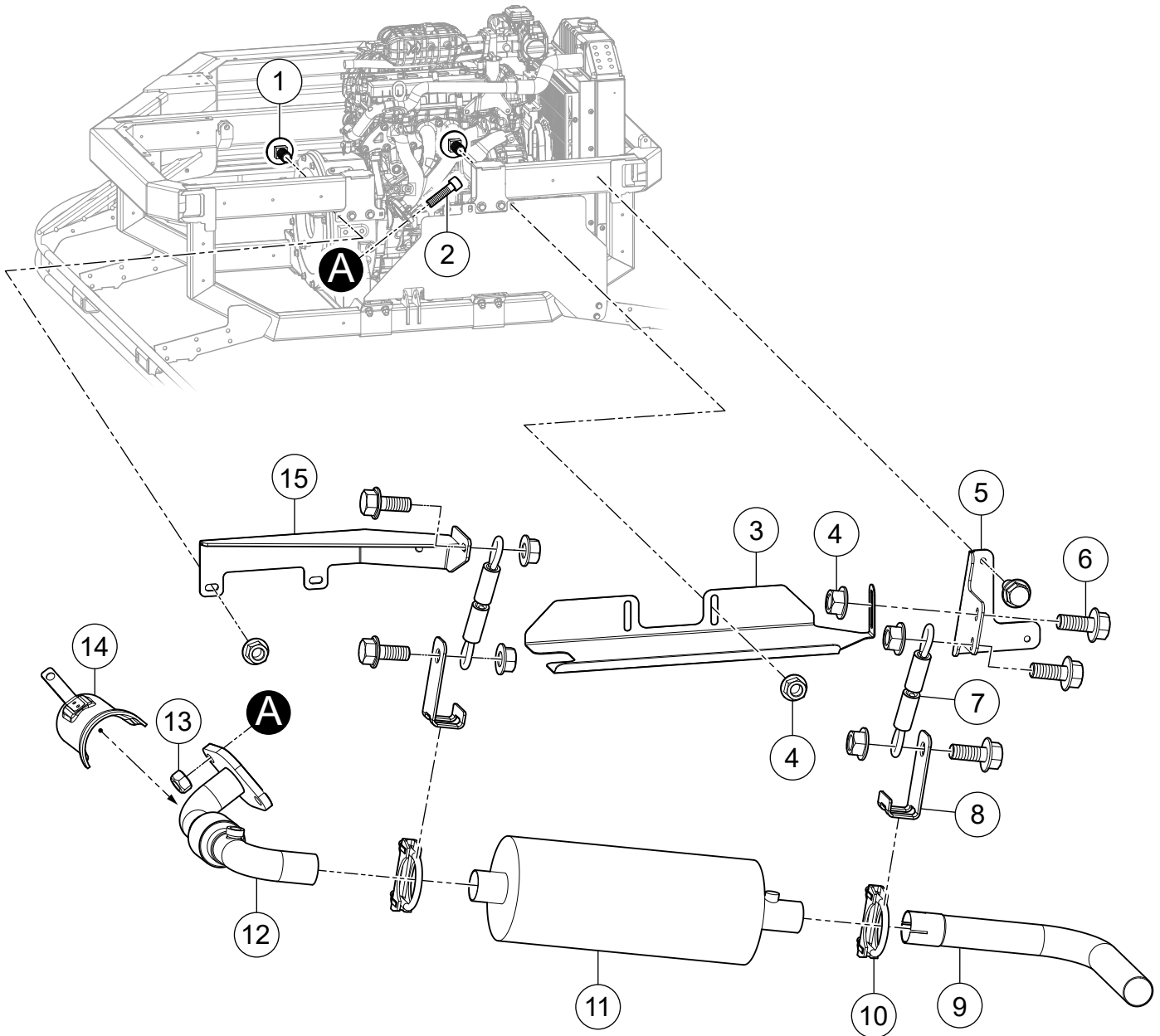


## ENGINE MOUNTING ASSY.

---

<u>NO.</u>	<u>PART NO.</u>	<u>PART NAME</u>	<u>QTY.</u>	<u>REMARKS</u>
1	43140	FORD 425 ENGINE	1	
2	58693	WASHER, FENDER, 1/2" ID X 1-3/8" OD, GD 8	2	
3	43731	PANEL, HEAT SHIELD, EXHAUST	1	
4	42343	SCREW, HFS, ZP, M8-1.25 X 20, CLASS 8.8	4	
5	42344	NUT, NYLOC, M8-1.25, CLASS 8.8	2	
6	43827	SHIELD, FORD 425 RADIATOR DEBRIS	1	
7	42340	SCREW, HHFS M10-1.5 X 35 GR 8.8	16	
8	42353	NUT, HEX, SERRATED-FLANGE, M10-1.5	8	
9	43336	CLAMP, GEN 4 DF ENGINE RAIL	4	
10	9176	SCREW, HHF M12-1.75 X 80MM GR10.9 PATCH	4	
11	20743	WASHER, ISO SNUB KROFUND DYN 148099-18	4	
12	20742	ISOLATOR, ARMOR PLATED UNIVERSAL GREEN	4	
13	43332	RAILS, GEN 4 DF ENGINE CLAMP	2	
14	021112140	NUT, HEX, NYLOC, M12-1.75	4	

# EXHAUST ASSY.

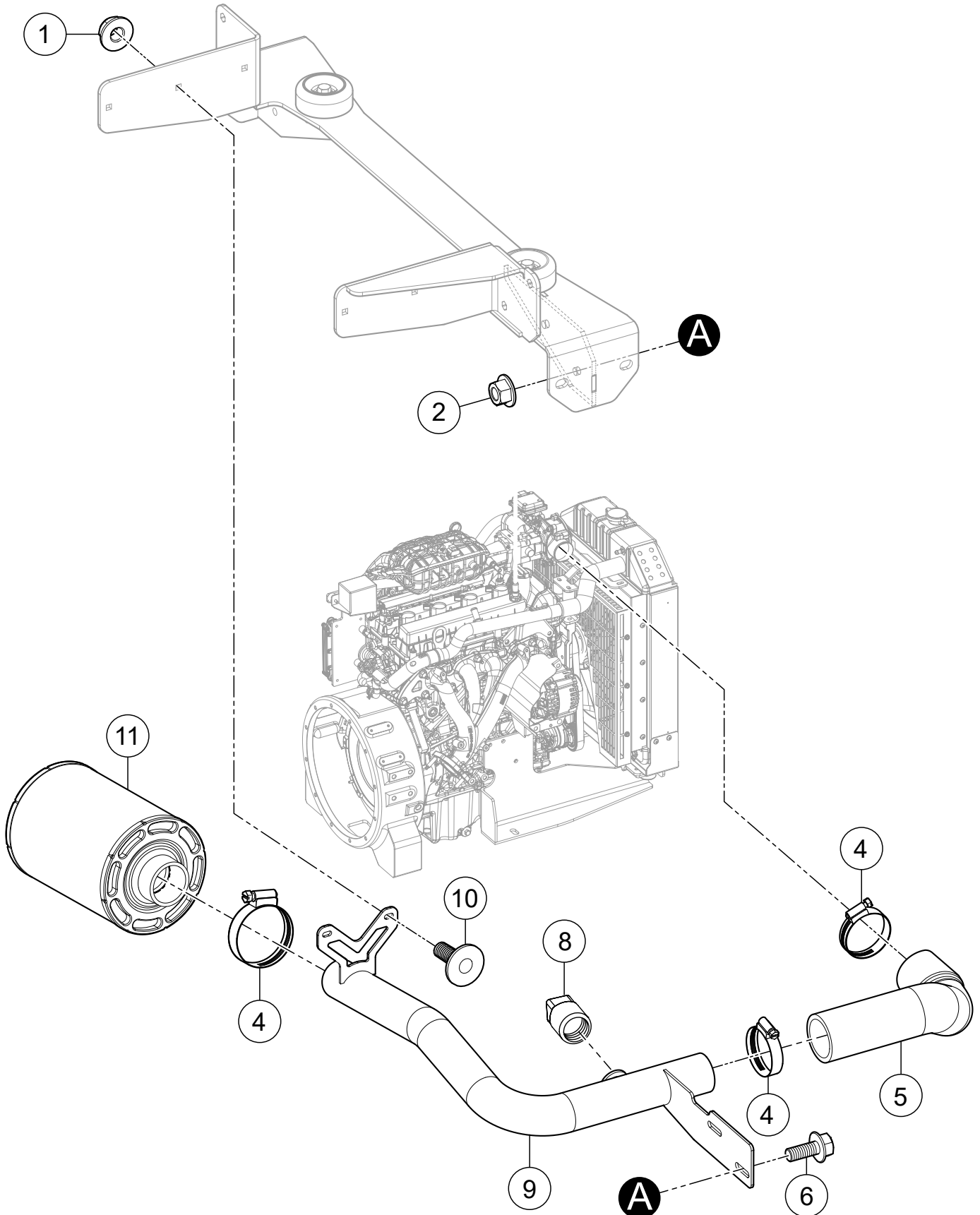


## EXHAUST ASSY.

---

<u>NO.</u>	<u>PART NO.</u>	<u>PART NAME</u>	<u>QTY.</u>	<u>REMARKS</u>
1	42822	BOLT, CARRIAGE M8-1.25 X 20	4	
2	43754	SCREW, SHC M10-1.5 X 40MM GR 12.9	2	
3	43732	HEAT SHIELD, CATALYTIC CONVERTER	1	
4	23802	NUT, HEX FLANGE M8-1.25 SERRATED	9	
5	43459	BRACKET EXHAUST HANGER	1	
6	42343	SCREW, HFS, ZP, M8-1.25 X 20, CLASS 8.8	7	
7	42323	HANGER, STEEL ROPE EXHAUST	2	
8	43738	HANGER, EXHAUST	2	
9	43359	PIPE, ELBOW C EXHAUST	1	
10	2534	CLAMP, 1-3/4" MUFFLER	2	
11	43140-23	CATALYST MUFFLER	1	
12	43356	EXHAUST HEADER W/A	1	
13	43755	NUT, M10-1.5 DEFORMED THREAD	2	
14	43733	HEAT SHIELD, HEADER TUBE	1	
15	43726	BRACKET EXHAUST HANGER	1	

# AIR CLEANER ASSY.

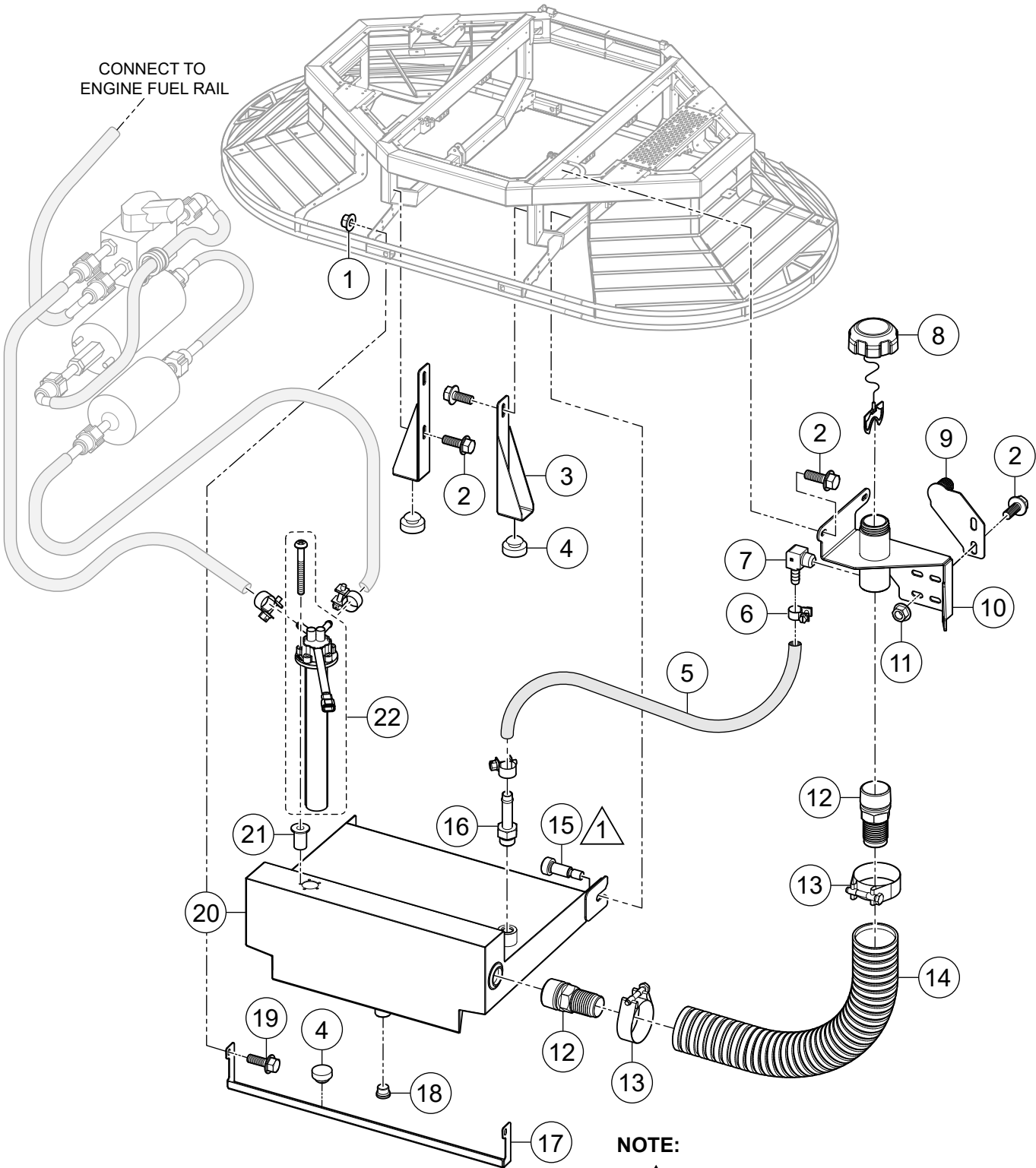


## AIR CLEANER ASSY.

---

<u>NO.</u>	<u>PART NO.</u>	<u>PART NAME</u>	<u>QTY.</u>	<u>REMARKS</u>
1	42352	NUT, HEX, SERRATED-FLANGE, M6-1.0	2	
2	23802	NUT, HEX FLANGE M8-1.25 SERRATED	2	
4	29218	CLAMP, WORM #48	3	
5	43453	HOSE, AIR INTAKE	1	
6	42343	SCREW, HFS, ZP, M8-1.25 X 20, CLASS 8.8	2	
8	16185	FITTING, PLUG 1/4 MP SQ HD	1	
9	43456	BRACKET, AIR FILTER	1	
10	42823	BOLT, CARRIAGE, M6-1.00 X 16	2	
11	42037	AIR CLEANER, ENGINE INTAKE	1	

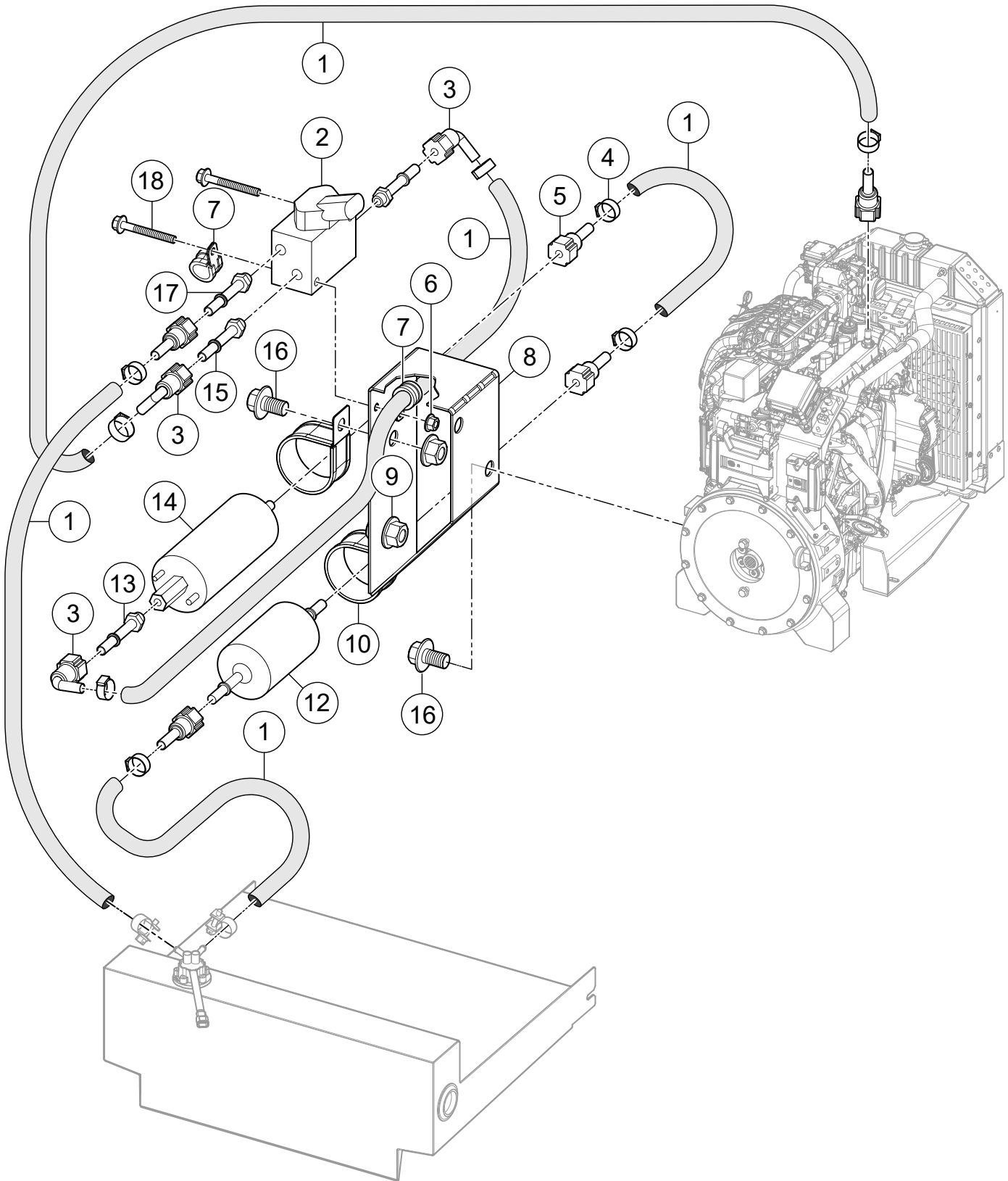
# FUEL TANK ASSY.



## FUEL TANK ASSY.

<u>NO.</u>	<u>PART NO.</u>	<u>PART NAME</u>	<u>QTY.</u>	<u>REMARKS</u>
1	42353	NUT, HEX, SERRATED-FLANGE, M10-1.5	2	
2	42343	SCREW, HFS, ZP, M8-1.25 X 20, CLASS 8.8	8	
3	43347	STRAP, FUEL TANK TOP	2	
4	21597	BUMPER, STEM 1.0"D X .5S X .31	6	
5	42459	HOSE, RUBBER, .3125, LOW PERM 145 PSI 16IN.....	2.....	1PC=1FT
6	19473	CLAMP, WORM #2	4	
7	29301	FITTING 90° 3/8 MP X 6BARB BRASS	1	
8	42446	CAP, FUEL	1	
9	43723	BRACKET, PROPANE HOSE STOW	1	
10	43286	BRACKET, FUEL FILL / HYD TANK	1	
11	23802	NUT, HEX FLANGE M8-1.25 SERRATED	2	
12	43391	FITTING, STR, -24 BARB X 1-1/2 MP	2	
13	42988	CLAMP, T-BOLT, 1 7/8" - 2 1/8"	2	
14	43715	HOSE, 1.50" X 16.75" E-Z FORM	1	
15	43354	SCREW, SHSLDR M10 X M20 X M8-1.25	2	
16	25671	FITTING, STR 6BARB - 6MO	1	
17	43348	STRAP, FUEL TANK FRONT	1	
18	43763	FITTING, PLUG 9/16-18UNF X 1/4 SHH	1	
19	32976	SCREW, HHFS M10-1.5 X 25 GR 10.9	2	
20	43392-SK	TANK, FUEL	1	
21	49163	NUT, BLIND M4-1.0 X .020-.08 GRIP	5	
22	43141	SENDING UNIT, FUEL	1	

# FUEL PUMP ASSY.

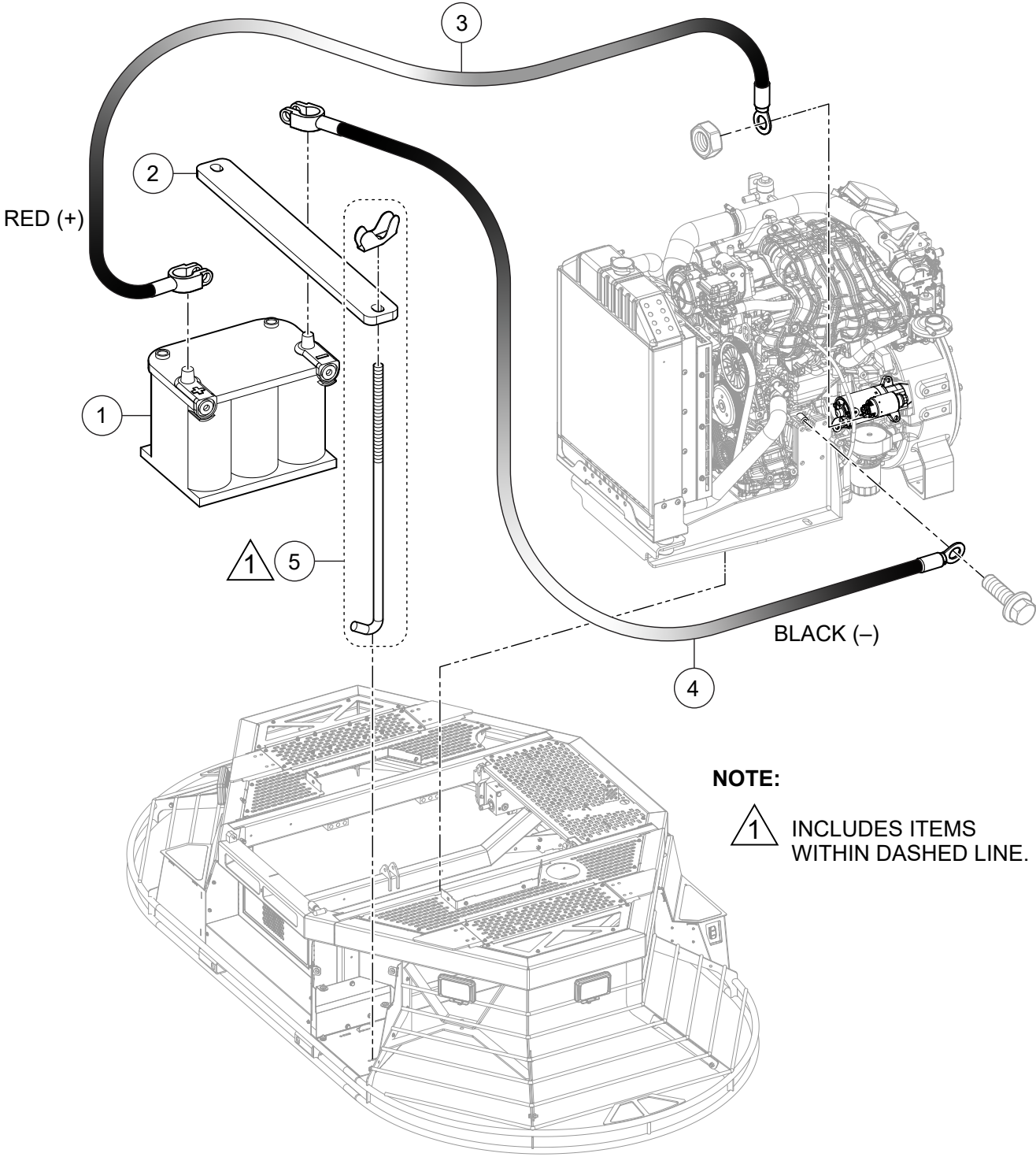


## FUEL PUMP ASSY.

---

<u>NO.</u>	<u>PART NO.</u>	<u>PART NAME</u>	<u>QTY.</u>	<u>REMARKS</u>
1	42459	HOSE, RUBBER, .3125, LOW PERM 145 PSI 118IN.....	10.....	1PC=1FT
2	43140-05	GASOLINE FUEL BLOCK	1	
3	42458	FITTING, FUEL .312, 90 DEG SAE J2044	3	
4	37822	CLAMP, 15.3MM OETIKER STEPLESS EAR	10	
5	42457	FITTING, FUEL .312, STRAIGHT SAE J2044	5	
6	42352	NUT, HEX, SERRATED-FLANGE, M6-1.0	2	
7	35023	CLAMP, LOOM CUSHIONED #10 .263 HOLE	2	
8	43695	BRACKET, FUEL COMPONENT	1	
9	42451	NUT, HEX, SERRATED-FLANGE, M12-1.75	2	
10	43140-06	FUEL PUMP MOUNTING CLAMP	2	
12	43140-04	FILTER, FUEL	1	
13	43140-62	FITTING, FUEL PUMP, M10	1	
14	43140-02	GASOLINE FUEL PUMP	1	
15	43140-64	FITTING, FUEL BLOCK, SAE 6	2	
16	34317	SCREW, HHFS M12-1.75 X 20	4	
17	43140-63	FITTING, FUEL BLOCK, SAE 3	1	
18	32796	SCREW, HHFS M6-1 X 50	2	

# BATTERY ASSY.

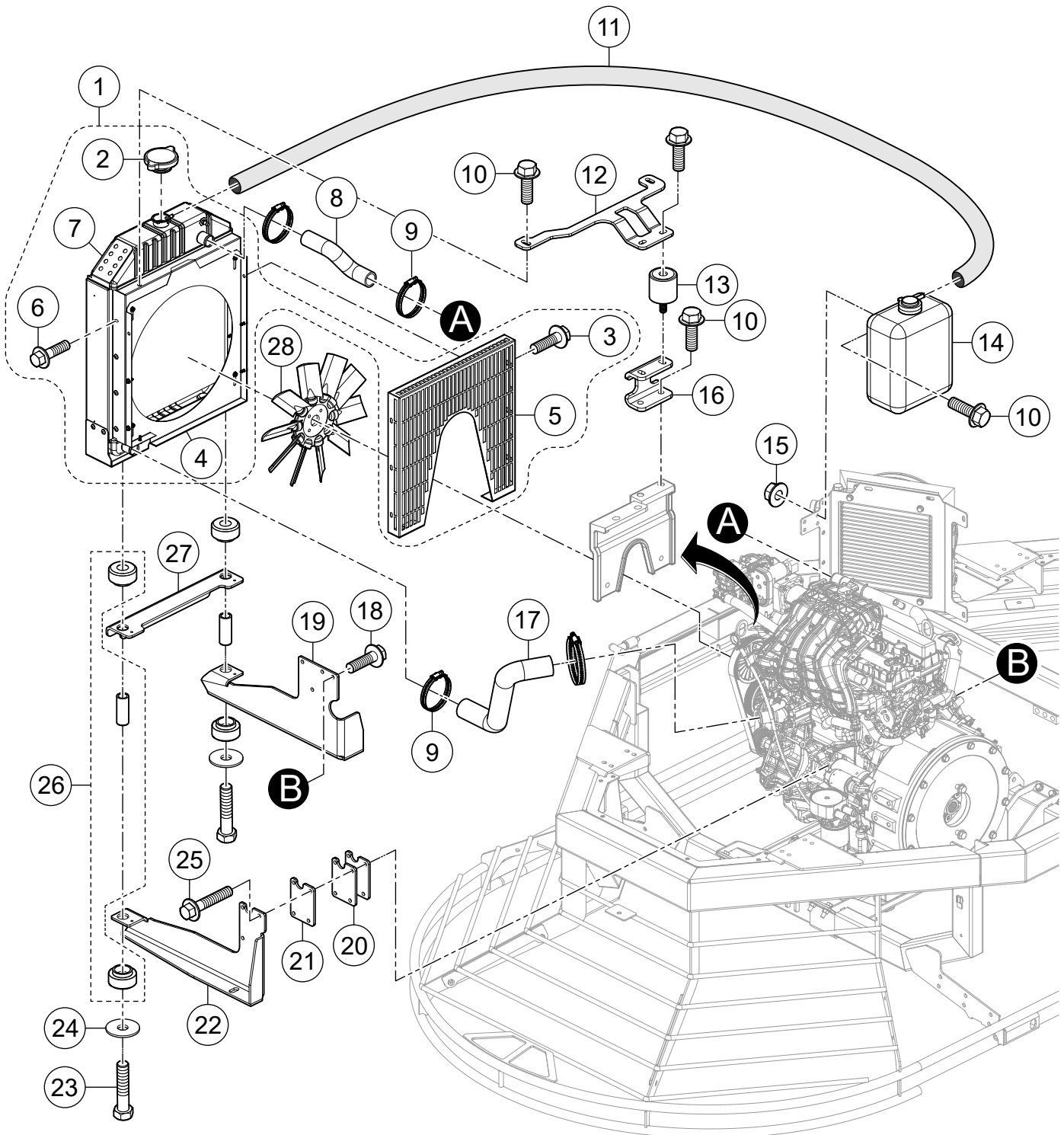


## BATTERY ASSY.

---

<u>NO.</u>	<u>PART NO.</u>	<u>PART NAME</u>	<u>QTY.</u>	<u>REMARKS</u>
1	404006	BATTERY, SEALED, GROUP 34M STARTING	1	
2	43618	BRACKET, CLAMP, BATTERY	1	
3	43366	CABLE, BATTERY POS, 1 GA X 30"	1	
4	43367	CABLE, BATTERY NEG, 1 GA X 30"	1	
5	20194	KIT, BATTERY J-BOLTS, 8"	1	

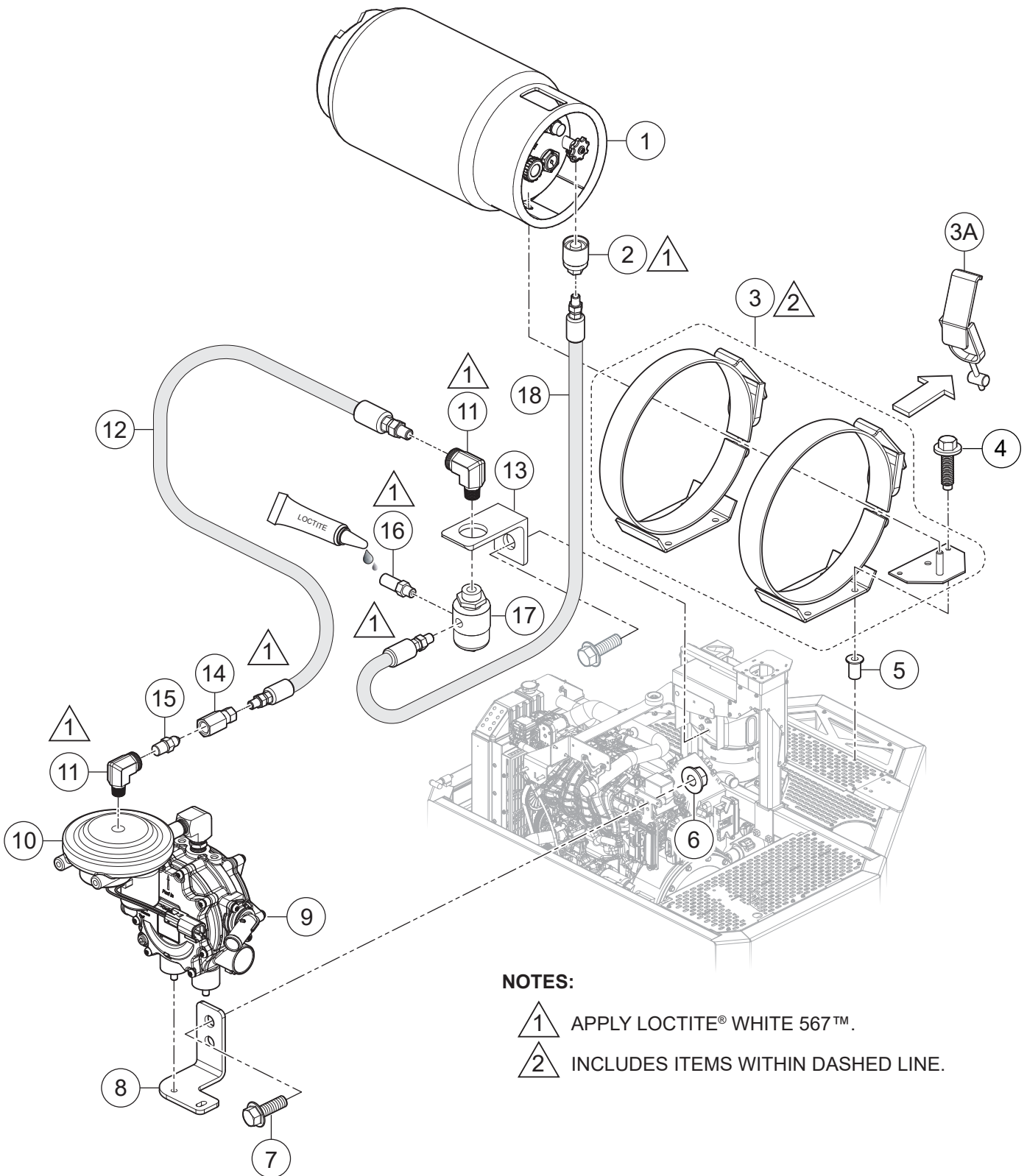
# RADIATOR ASSY.



## RADIATOR ASSY.

<u>NO.</u>	<u>PART NO.</u>	<u>PART NAME</u>	<u>QTY.</u>	<u>REMARKS</u>
1	43140-03	ASSY., RADIATOR, RCP FORD MSG425.....	1	INCLUDES ITEMS W/#
2#	43140-69	RADIATOR CAP	1	
3#	42542	HEX SERRATED FLANGE SCREW, M6-1 X 16	8	
4#	43140-70	SHROUD, FAN, ASSY., COMPLETE	1	
5#	43140-71	GUARD, FAN	1	
6#	34364	HEX SERRATED FLANGE SCREW, 1/4-20 X 0.5	8	
7#	43140-21	SUBASSEMBLY, RADIATOR	1	
8	43140-88	HOSE, UPPER, 33.34 ID	1	
9	43140-76	CLAMP, HOSE, WORM-DRIVE, 21-44 OD	4	
10	42342	HEX SERRATED FLANGE SCREW, M8-1.25 X 16	10	
11	43140-80	HOSE, OVERFLOW	1	
12	43140-77	SUPPORT, UPPER	1	
13	43140-78	ISOLATOR, 32 X 32, M8-1.25	2	
14	43140-79	OVERFLOW BOTTLE	1	
15	23802	HEX SERRATED FLANGE NUT, M8-1.25	6	
16	43140-81	MOUNT, UPPER	1	
17	43140-82	HOSE, LOWER, 33.34 ID	1	
18	32976	HEX SERRATED FLANGE SCREW, M10-1.5 X 25	4	
19	43140-83	LEG, RIGHT FRONT	1	
20	43140-84	BRACKET, MISC., SPACER, 121.0 X 89.0 X 7.94	2	
21	43140-85	BRACKET, MISC., SPACER	1	
22	43140-86	LEG, LEFT FRONT	1	
23	12318	HEX CAP SCREW, 1/2-13 X 2.75	2	
24	26872	LARGE OD PLAIN WASHER, 0.500 X 2.00 X 0.125	2	
25	42341	HEX SERRATED FLANGE SCREW, M10-1.5 X 40	4	
26	43140-68	RADIATOR LOWER ISOLATOR MOUNTS	2	
27	43140-87	ASSY., BRACKET, CROSS	1	
28	43140-58	PUSHER FAN	1	

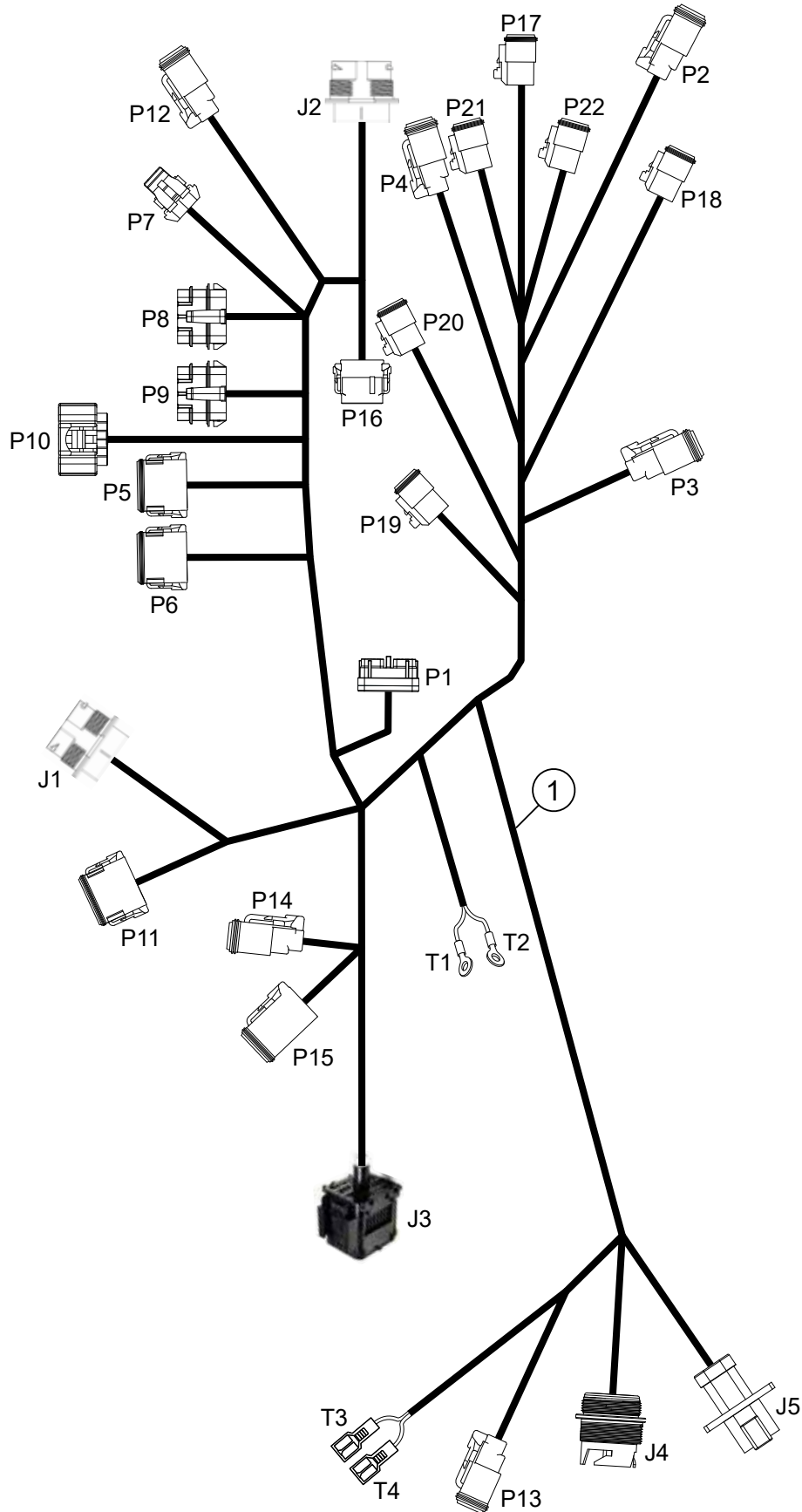
# LPG FUEL SYSTEM ASSY.



## LPG FUEL SYSTEM ASSY.

<u>NO.</u>	<u>PART NO.</u>	<u>PART NAME</u>	<u>QTY</u>	<u>REMARKS</u>
1	30006	TANK, PROPANE, 33.5 LB.	1	
2	30007	CONNECTOR, PROPANE TANK, FEMALE	1	
3	30427	BRACKET, PROPANE, LOW PROFILE .....	1	INCLUDES ITEMS W/#
3A#	30427-01	LATCH FOR PROPANE BRACKET	2	
4	42325	SCREW, HHC, M6-1.0 X 20, CAPTIVE WASHER	8	
5	42496	NUT, BLIND HEX M6-1.0	8	
6	42451	NUT, HEX, SERRATED-FLANGE, M12-1.75	2	
7	42350	SCREW, HFS, ZP, M12-1.75 X 30, CLASS 8.8	2	
8	43696	BRACKET, VAPORIZER	1	
9	43140-09	LPG VAPOR REGULATOR	1	
10	43140-49	12V LPG SHUTOFF VALVE WITH FILTER	1	
11	8053	FITTING, 90° 1/4MP X 1/4FP	2	
12	43046	HOSE ASSEMBLY, 1/4"ID LPG X 30", 2X 1/4MP	1	
13	42277	MOUNT, PROPANE ASSEMBLY	1	
14	32832	FITTING, STR -4FJ X -4FP	1	
15	366155	FITTING, STR 4MJ-1/4MP	1	
16	42200	VALVE, PRESSURE RELIEF-LP	1	
17	42322	FILTER, PROPANE IN-LINE	1	
18	43047	HOSE ASSEMBLY, 1/4"ID LPG X 44.5", 2X 1/4MP	1	

# HARNESS ASSY.

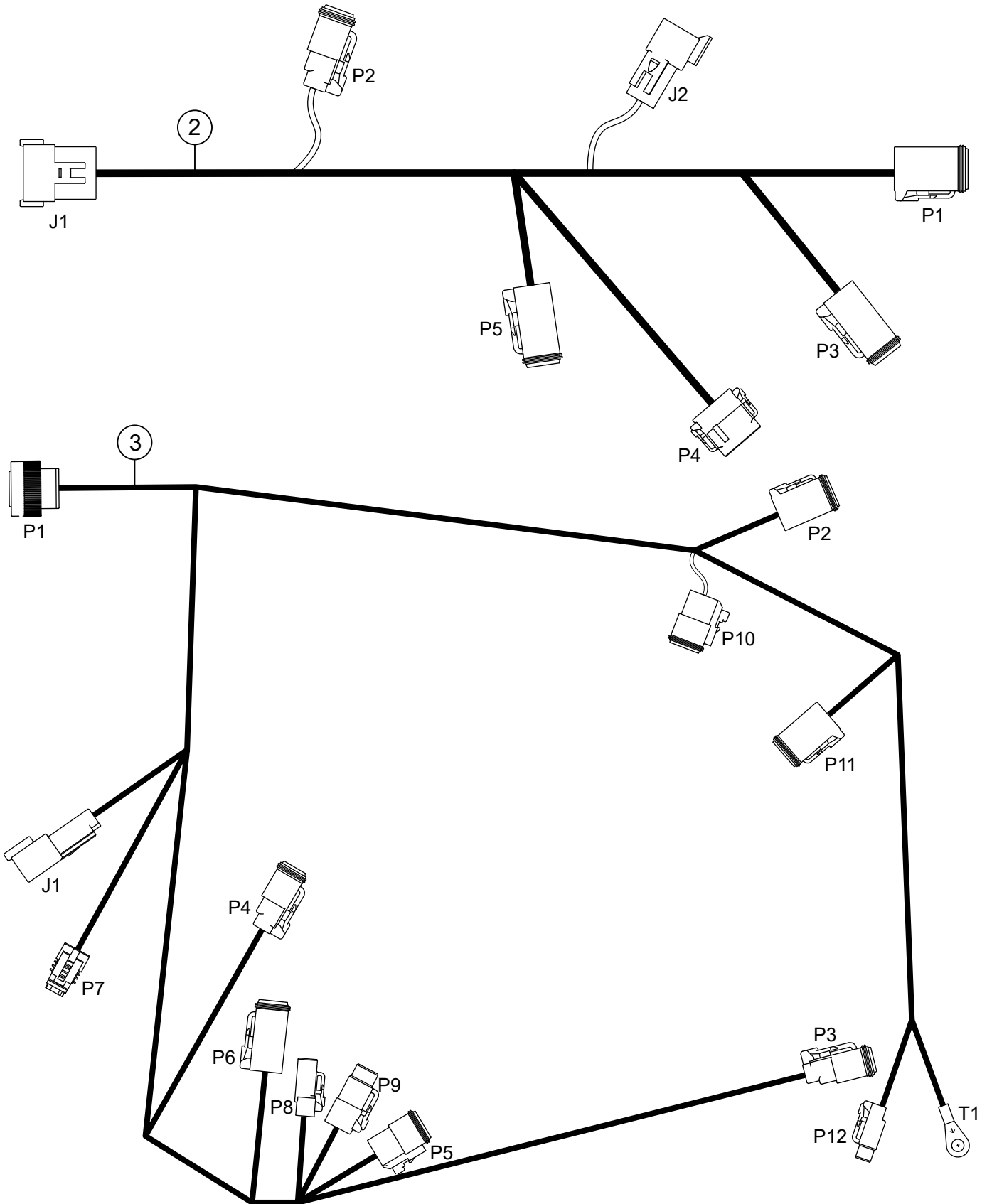


# HARNES ASSY.

---

<u>NO.</u>	<u>PART NO.</u>	<u>PART NAME</u>	<u>QTY.</u>	<u>REMARKS</u>
1	43138	HARNES, MAIN	1	

# HARNESS ASSY. (CONT'D.)

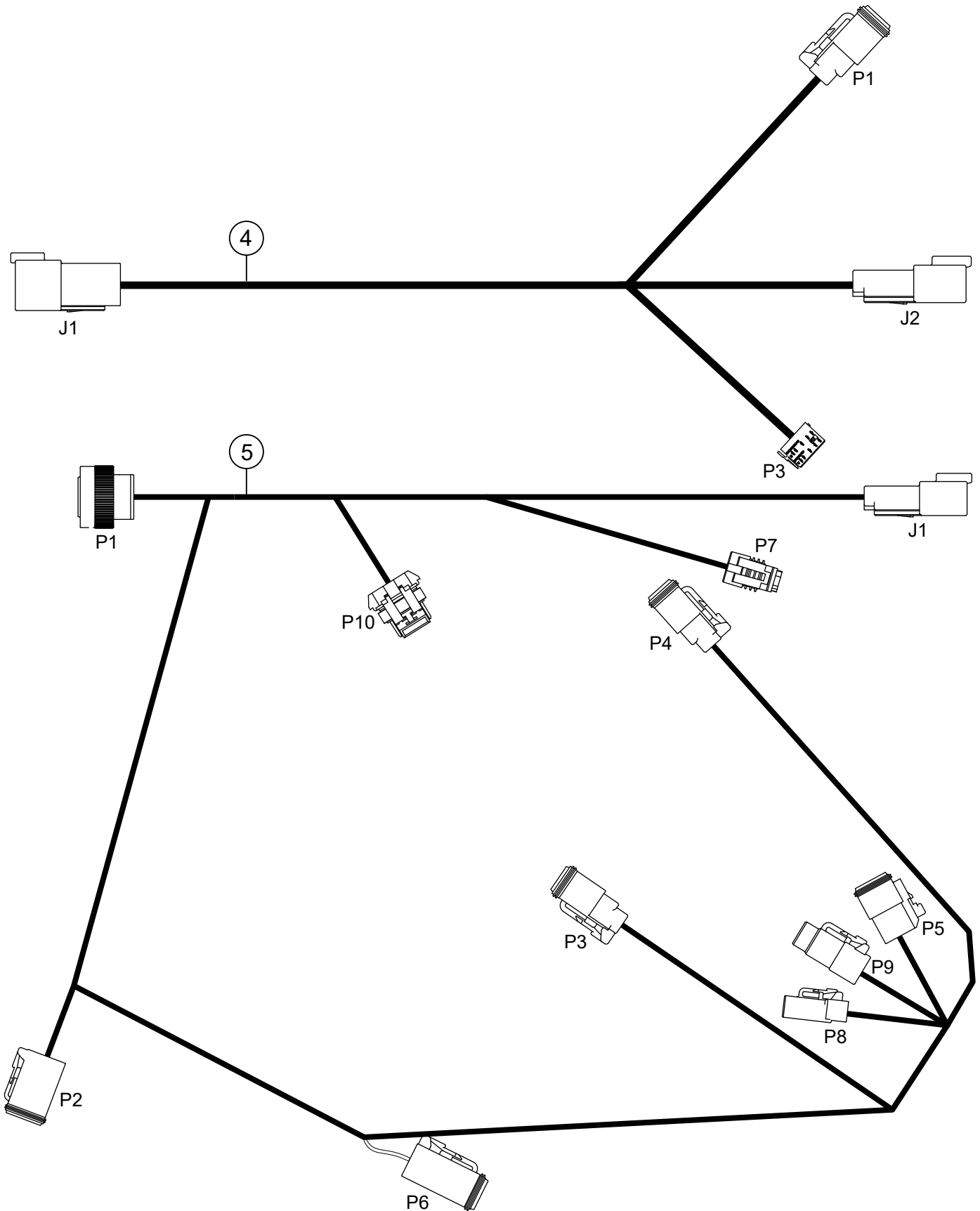


## HARNESS ASSY. (CONT'D.)

---

<u>NO.</u>	<u>PART NO.</u>	<u>PART NAME</u>	<u>QTY.</u>	<u>REMARKS</u>
2	43137	HARNESS, CONSOLE	1	
3	43363	HARNESS, RIGHT	1	

# HARNESS ASSY. (CONT'D.)



## HARNESS ASSY. (CONT'D.)

---

<u>NO.</u>	<u>PART NO.</u>	<u>PART NAME</u>	<u>QTY.</u>	<u>REMARKS</u>
4	43365	HARNESS, STEP	1	
5	43364	HARNESS, LEFT	1	

# PARTS MANUAL

## HERE'S HOW TO GET HELP

PLEASE HAVE THE MODEL AND SERIAL  
NUMBER ON-HAND WHEN CALLING

### UNITED STATES

#### ***Multiquip Inc.***

(310) 537- 3700  
6141 Katella Avenue Suite 200  
Cypress, CA 90630  
E-MAIL: [mq@multiquip.com](mailto:mq@multiquip.com)  
WEBSITE: [www.multiquip.com](http://www.multiquip.com)

---

### CANADA

#### ***Multiquip***

(450) 625-2244  
4110 Industriel Boul.  
Laval, Quebec, Canada H7L 6V3  
E-MAIL: [infocanada@multiquip.com](mailto:infocanada@multiquip.com)

### UNITED KINGDOM

#### ***Multiquip (UK) Limited Head Office***

0161 339 2223  
Unit 2, Northpoint Industrial Estate, Globe Lane,  
Dukinfield, Cheshire SK16 4UJ  
E-MAIL: [sales@multiquip.co.uk](mailto:sales@multiquip.co.uk)

© COPYRIGHT 2026, MULTIQUIP INC.

Multiquip Inc. and the MQ logo are registered trademarks of Multiquip Inc. and may not be used, reproduced, or altered without written permission. All other trademarks are the property of their respective owners and used with permission.

This manual MUST accompany the equipment at all times. This manual is considered a permanent part of the equipment and should remain with the unit if resold.

DISCLAIMER: Product features, descriptions, and specifications are based on published information at the time of publication and are subject to change at any time without notice. Multiquip Inc. and its affiliates reserve the right to change specifications, features, design, and descriptions of products at any time without notice.



**PN: 13414**