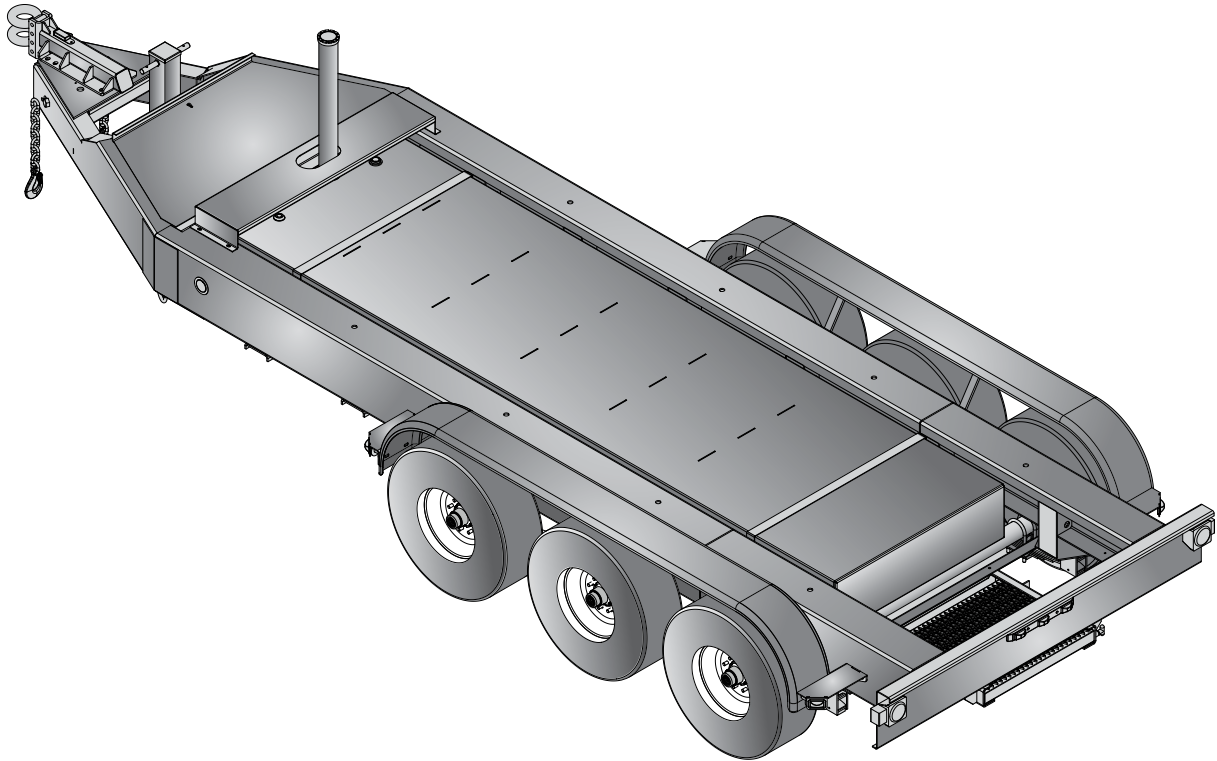




TRLR400XF3DAE

Triple Axle Trailer



TRLR400XF3DAE Technical Data

Gross Vehicle Weight Rating (GVWR) — 21,000 lbs (9,525 kg)	Tire Size — ST235/80R16 LR-E
Gross Axle Weight Rating (GAWR) — 7,000 lbs (3,175 kg) (ea.)	Wheel Bolt Pattern — 8 x 6.5
Coupler Rating — See coupler options on back page	Tire Load Rating — 3,500 lbs (1,588 kg) ea.
	Dimensions (LxWxH) - See back page

STANDARD TRAILER EQUIPMENT

- Fits MQ Power Generator Models DCA400SSI4F, DCA400SSI4F3, DCA400SSI4F3PD, and DCA400SSI4F3PB.
- Triple Drop-Axle Design with Slipper Spring Suspension
- Heavy-Duty Welded Steel Frame Construction
- Formed Channel for Generator Mounting and Support
- Integral Diesel Fuel Cell; Single-wall Steel Design, 350-gallon/1,325-liter Capacity; UN31A Certified
- 4-hole Channel Allows 3-position, Adjustable Coupler Height; 4-inches O/A
- Bolt-on Electric Brake Coupler Plate with Electric-actuated Drum Brakes (All axles - self-adjusting brake actuators)
- Heavy-duty Tongue Mounted, Drop-leg Jack (rated 10,000 lbs. lift capacity)
- Replaceable Bolt-on Steel Fenders
- Rugged Textured Black Enamel Coated Frame, Channel, Actuator and Fenders
- D.O.T. Approved Tail Lamps, Stop Lamps, Turn Signal Lamps, Side Marker Lamps
- Weatherproof, Rubber Armored, 2-piece Trailer Light Wiring Harness

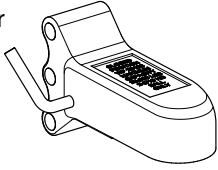
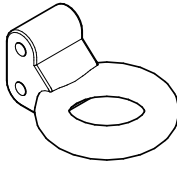


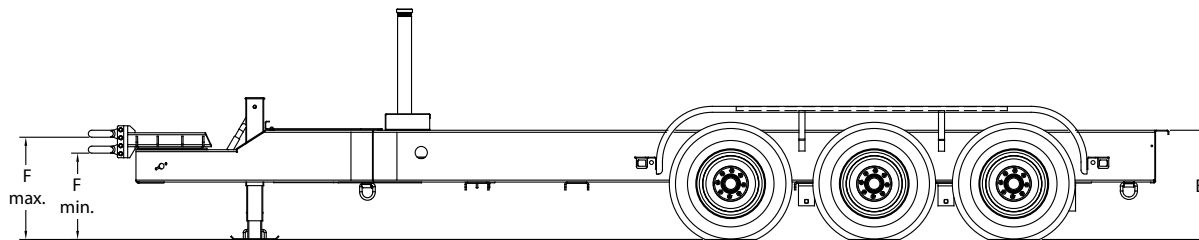
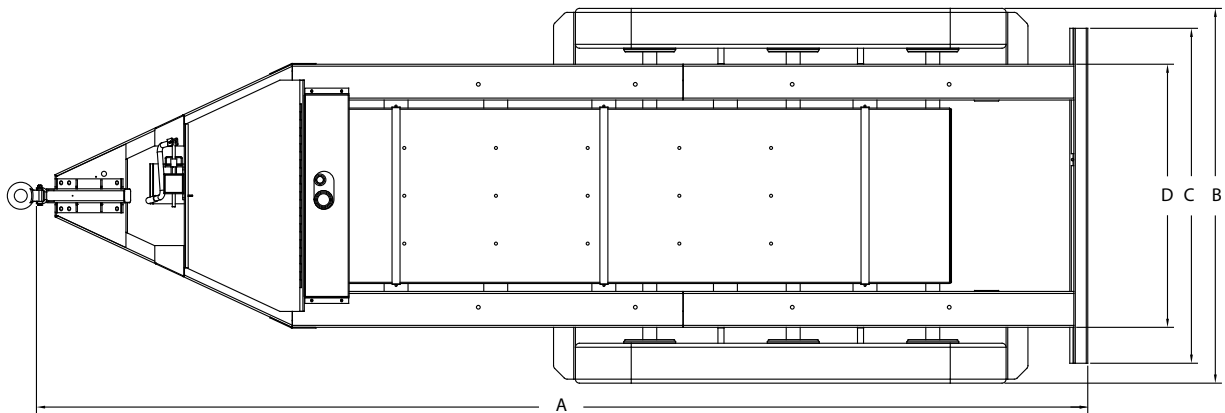
TRLR400XF3DAE

Triple Axle Trailer

OPTIONAL TRAILER EQUIPMENT

- Anti-Theft Wheel Lock
- Front and Rear Stabilizer Stands
- Spare Tire with Locking Mount

Coupler Options	
2-5/16" Ball Coupler 25,000 lbs. #EE62300	
3" Pintle Eye 25,000 lbs. #EE36264	



Trailer Dimensions						
A	B	C	D	E	F	
					Min	Max
263.69 in.	94 in.	84 in.	66 in.	27.4 in.	21.66 in.	25.66 in.

Trailer Weight	
Without Fuel	With Fuel
3,978 lbs. (1,804 kg)*	6,467 lbs (2, 933 kg)*

*Weight is approximate

