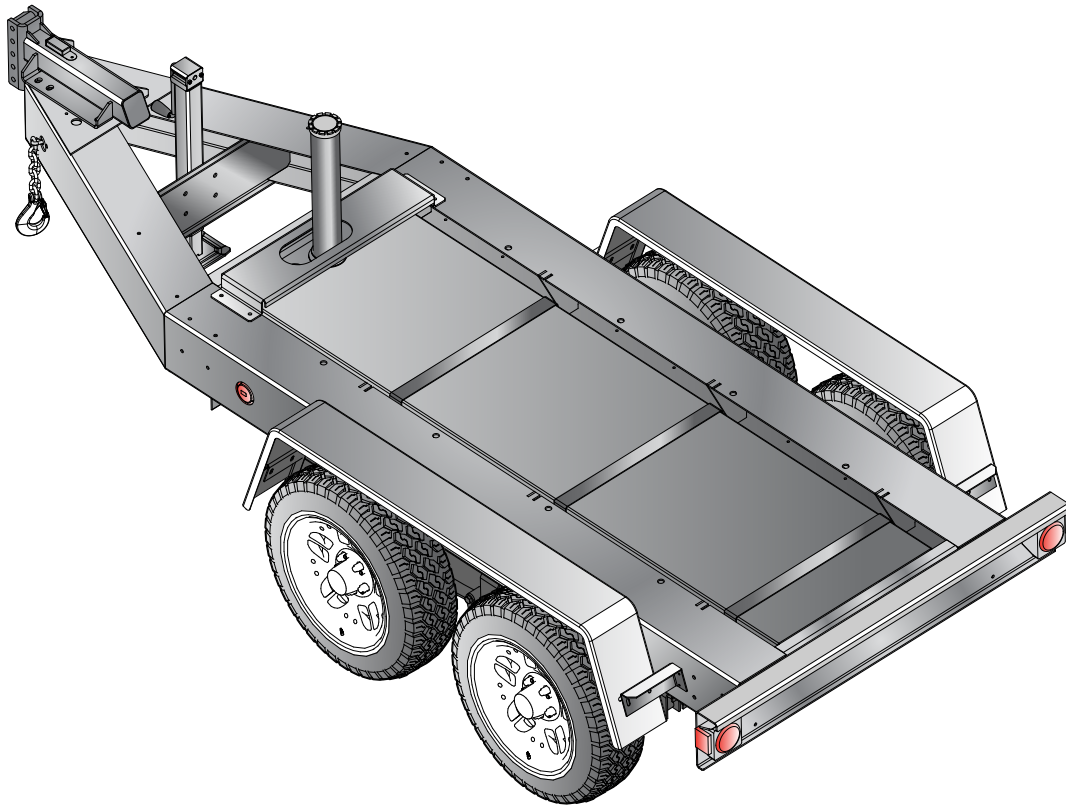




TRLR502XF

MQ POWER Tandem Axle Trailer



TRLR502XF Technical Data

Gross Vehicle Weight Rating (GVWR) — 6,000 lbs (2,722 kg.)	Tire Size — ST205/75D14 LR-C
Gross Axle Weight Rating (GAWR) — 3,500 lbs (1,588 kg)	Wheel Bolt Pattern — 5 Lug
Actuator Rating — 8,000 lbs (3,629 kg)	Tire Load Rating — 1,760 lbs /657 kg (ea.)
Coupler Rating — See coupler options on back page.	Dimensions (LxWxH) — See back page.

STANDARD TRAILER EQUIPMENT

- Fits MQ Power Welder Model DLW500ESA4
- Straight Tandem-Axle Design with Leaf Spring Suspension
- Heavy-Duty Welded Steel Frame Construction
- Formed Channel for Welder Mounting and Support
- Integral Fuel Cell; Single-wall Steel Design, 80 Gallon Capacity
- Replaceable, Bolt-on Hydraulic Brake Actuator
- 4-Hole Channel Allows 3-position, Adjustable Coupler Height; 4-inches O/A
- Center Mounted Jack with Flat Disc-foot (rated 8,000 lbs/3,629 kg lift)
- Replaceable, Bolt-on Steel Fender Brackets and Fenders
- Rugged Textured Black Powder-Coated Frame, Channel, Actuator and Fenders
- D.O.T. Approved Tail Lamps, Stop Lamps, Turn Signal Lamps, Side Marker Lamps
- Weatherproof, Rubber Armored, 2-piece Trailer Light Wiring Harness
- Surge Hydraulic-actuated Drum Brakes (all axles)
- Hydraulic Uni-Servo Drum Brakes with Free-backing Plates - 10-inch Cluster
- D.O.T. Steel Brake Lines, Brass Tees and Rubber Hydraulic Brake Hoses




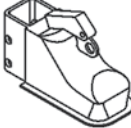
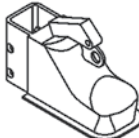
TRLR502XF

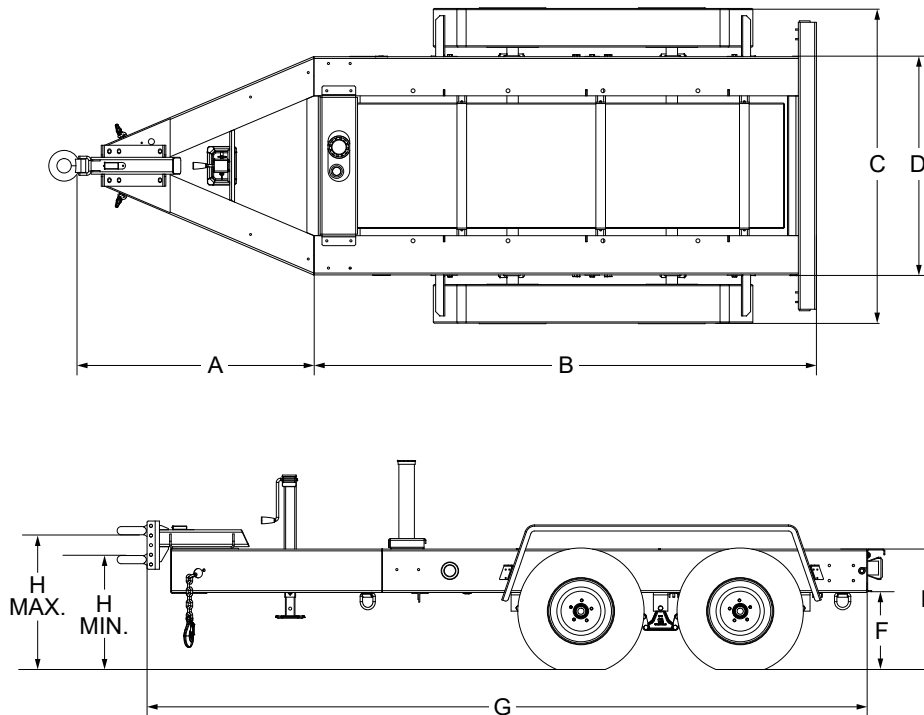
MQ POWER Tandem Axle Trailer

OPTIONAL TRAILER EQUIPMENT

- Bolt-on Electric Brake Coupler Plate with Electric-actuated Drum Brakes (all axles — self-adjusting brake actuators)
- Electric Breakaway Safety Device (electric-actuated brakes)
- Rear Stabilizer Stands
- Tongue Mounted Utility Storage Box
- Spare Tire with Locking Mount
- Anti-Theft Wheel Lock
- Cable Carriers

Coupler Options

3" Pintle Eye 25,000 lbs. #EE36264	
2" Ball Coupler 10,000 lbs. #EE43254	
2-5/16" Ball Coupler 14,000 lbs. #EE43253	



Trailer Dimensions								
A	B	C	D	E	F	G	H	
							MIN	MAX
48.84 in (1,240.54 mm)	104.19 in (2,646.4 mm)	45.25 in (1,149 mm)	65.25 in (1,657 mm)	24.98 in (634.5 mm)	14.98 in (380.5 mm)	152.99 in (3,885.95 mm)	21.97 in (558 mm)	27.95 in (709.9 mm)

Trailer Weight
1,593 lbs. (723 kg)*

* Weight is approximate

