

PARTS MANUAL



MODELS

WBH-16EAWD

WBH-16EAWDF

POWER BUGGY

(B&S VANGUARD 18 HP GASOLINE ELECTRIC START)

Revision #9 (04/06/26)

To find the latest revision of this publication or associated operation manual, visit our website at: www.multiquip.com



THIS MANUAL MUST ACCOMPANY THE EQUIPMENT AT ALL TIMES.

TABLE OF CONTENTS

WBH-16EAWD

Power Buggy

Explanation of Code in Remarks Column..... 4
Suggested Spare Parts 5

Component Drawings

Nameplate and Decals Assembly..... 6-7
White Drive Motors Assembly..... 8-9
Hengli Drive Motors Assembly..... 10-11
Eaton Hydraulic Pump Assembly 12-13
Hydro-Gear Hydraulic Pump Assembly 14-15
Hydraulic Dump Assembly..... 16-17
Manifold Assembly..... 18-19
Eaton Pump and Coupling Assembly 20-21
Hydro-Gear Pump and Coupling Assembly..... 22-23
Tub Assembly 24-25
Panel Assembly 26-27
Brake Assembly..... 28-29
Steering and Controls Assembly 30-31
Chassis Assembly 32-33
Handle/Foot Dump Controls Assembly..... 34-35
Hydraulic Oil Tank Assembly 36-37
Battery Assembly..... 38-39
Fuel Tank Assembly (Steel) 40-41
Fuel Tank Assembly (Plastic)..... 42-43
Engine Mounting Assembly 44-45
Engine Service Parts 46-47

NOTICE
Specifications and part numbers are subject to change without notice.

EXPLANATION OF CODE IN REMARKS COLUMN

The following section explains the different symbols and remarks used in the Parts section of this manual. Use the help numbers found on the back page of the manual if there are any questions.

NOTICE

The contents and part numbers listed in the parts section are subject to change without notice. Multiquip does not guarantee the availability of the parts listed.

SAMPLE PARTS LIST

NO.	PART NO.	PART NAME	QTY.	REMARKS
1	12345	BOLT	1	INCLUDES ITEMS W/%
2%		WASHER, 1/4 IN.		NOT SOLD SEPARATELY
2%	12347	WASHER, 3/8 IN. ...	1	MQ-45T ONLY
3	12348	HOSE	A/R	MAKE LOCALLY
4	12349	BEARING	1	S/N 2345B AND ABOVE

NO. Column

Unique Symbols — All items with same unique symbol (@, #, +, %, or >) in the number column belong to the same assembly or kit, which is indicated by a note in the “Remarks” column.

Duplicate Item Numbers — Duplicate numbers indicate multiple part numbers, which are in effect for the same general item, such as different size saw blade guards in use or a part that has been updated on newer versions of the same machine.

NOTICE

When ordering a part that has more than one item number listed, check the remarks column for help in determining the proper part to order.

PART NO. Column

Numbers Used — Part numbers can be indicated by a number, a blank entry, or TBD.

TBD (To Be Determined) is generally used to show a part that has not been assigned a formal part number at the time of publication.

A blank entry generally indicates that the item is not sold separately or is not sold by Multiquip. Other entries will be clarified in the “Remarks” Column.

QTY. Column

Numbers Used — Item quantity can be indicated by a number, a blank entry, or A/R.

A/R (As Required) is generally used for hoses or other parts that are sold in bulk and cut to length.

A blank entry generally indicates that the item is not sold separately. Other entries will be clarified in the “Remarks” Column.

REMARKS Column

Some of the most common notes found in the “Remarks” Column are listed below. Other additional notes needed to describe the item can also be shown.

Assembly/Kit — All items on the parts list with the same unique symbol will be included when this item is purchased.

Indicated by:

“INCLUDES ITEMS W/(unique symbol)”

Serial Number Break — Used to list an effective serial number range where a particular part is used.

Indicated by:

“S/N XXXXX AND BELOW”

“S/N XXXX AND ABOVE”

“S/N XXXX TO S/N XXX”

Specific Model Number Use — Indicates that the part is used only with the specific model number or model number variant listed. It can also be used to show a part is NOT used on a specific model or model number variant.

Indicated by:

“XXXXX ONLY”

“NOT USED ON XXXX”

“Make/Obtain Locally” — Indicates that the part can be purchased at any hardware shop or made out of available items. Examples include battery cables, shims, and certain washers and nuts.

“Not Sold Separately” — Indicates that an item cannot be purchased as a separate item and is either part of an assembly/kit that can be purchased, or is not available for sale through Multiquip.

SUGGESTED SPARE PARTS

WBH16EAWD POWER BUGGY

1 to 3 units

Qty.	P/N	Description
1	508667	FILTER, HYDRAULIC OIL
1	EM16477	CAP, HYDRAULIC OIL TANK
1	18051	COUPLING, ENGINE SHAFT (EATON PUMP)
1	808658C	COUPLING, ENGINE SHAFT (HYDRO-GEAR PUMP)
2	512881	BRAKE BAND ASSY.
1	18145	ROD, BRAKE CONTROL
1	18166	CAP, FUEL (NON EPA, 2-IN)
1	520820	CAP, FUEL (EPA, 2-IN)
5	845125	FILTER, IN-LINE FUEL
1	18043	SWITCH, KILL
1	18133	CABLE, THROTTLE
1	18132	LEVER, THROTTLE
1	18029	WHEEL, DRIVE, PNEUMATIC
1	18029F	WHEEL, DRIVE, FOAM
1	18082	WHEEL, STEERING PNEUMATIC
1	18082F	WHEEL, STEERING, FOAM
1	18016	CABLE, PARKING BRAKE
1	18044	SWITCH, TRACTION ASSIST
1	EM16754	SWITCH, 2WD/AWD TOGGLE

NOTICE

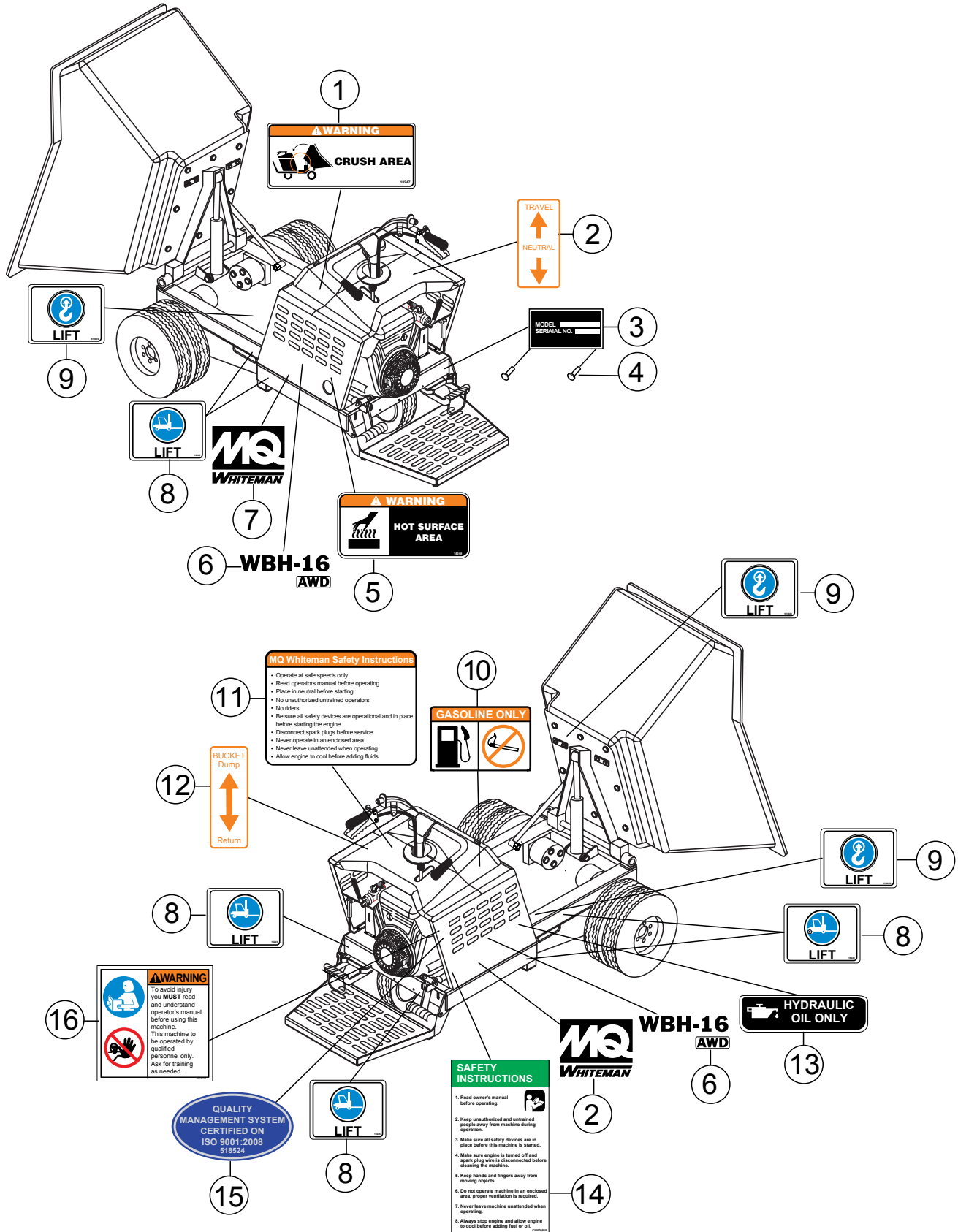
Part numbers on this Suggested Spare Parts list may supersede/replace the part numbers shown in the following parts lists.

B&S VANGUARD 18 HP GASOLINE ENGINE

1 to 3 units

Qty.	P/N	Description
3	496018S	SPARK PLUG
3	691959	KEY, IGNITION
3	808167	GRIP, STARTER
1	66574	ROPE, STARTER
3	394018S	AIR FILTER
3	272490S	PRE-CLEANER
3	842921	OIL FILTER
3	845125	IN-LINE FUEL FILTER

NAMEPLATE AND DECALS ASSY.

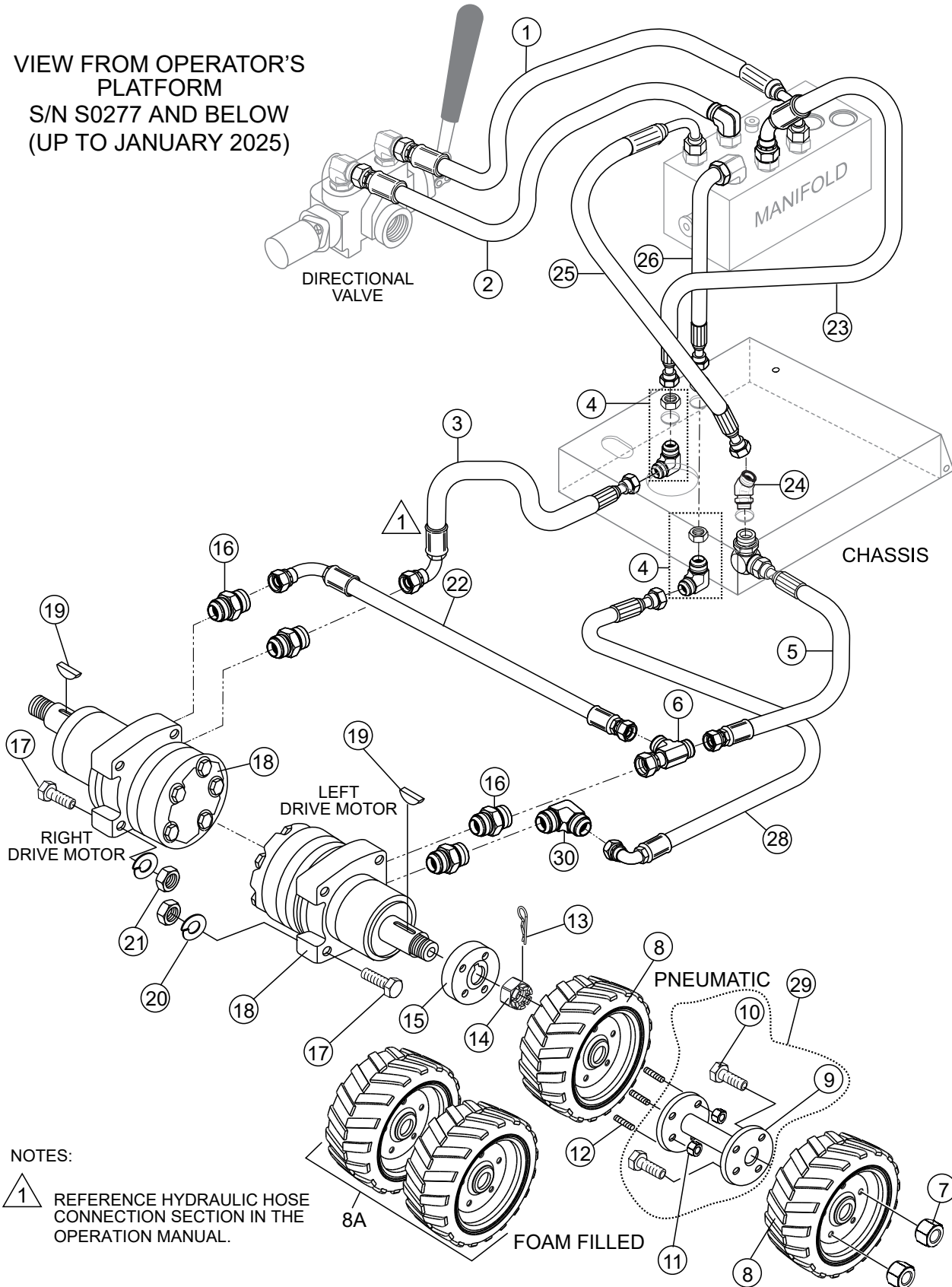


NAMEPLATE AND DECALS ASSY.

<u>NO.</u>	<u>PART NO.</u>	<u>PART NAME</u>	<u>QTY.</u>	<u>REMARKS</u>
1	18247	DECAL, CRUSH WARNING	1	
2		DECAL, TRAVEL LEVER DIRECTION.....	1.....	MOLDED INTO FUEL TANK COVER
3		PLATE, SERIAL NUMBER.....	1.....	CONTACT MQ PARTS DEPT.
4	491757	RIVET, I.D. PLATE	2	
5	18248	DECAL, HOT SURFACE WARNING	1	
6	512446	DECAL, WBH-16 AWD	2	
7	18252	DECAL, MQ WHITEMAN	2	
8	18245	DECAL, FORKLIFT LIFTING	6	
9	513608	DECAL, LIFTING HOOK	3	
10		DECAL, GASOLINE ONLY	1.....	MOLDED INTO FUEL TANK COVER
11		DECAL, WHITEMAN SAFETY INSTRUCTIONS.....	1.....	MOLDED INTO FUEL TANK COVER
12		DECAL, BUCKET DUMP LEVER	1.....	MOLDED INTO FUEL TANK COVER
13	EM985	DECAL, HYDRAULIC OIL	1	
14	520935	DECAL, SAFETY INSTRUCTIONS	1	
15	518524	DECAL, ISO 9001:2008	1	
16	35137	DECAL, READ MANUAL, ASK FOR TRAINING	1	

WHITE DRIVE MOTORS ASSY.

VIEW FROM OPERATOR'S
PLATFORM
S/N S0277 AND BELOW
(UP TO JANUARY 2025)



NOTES:

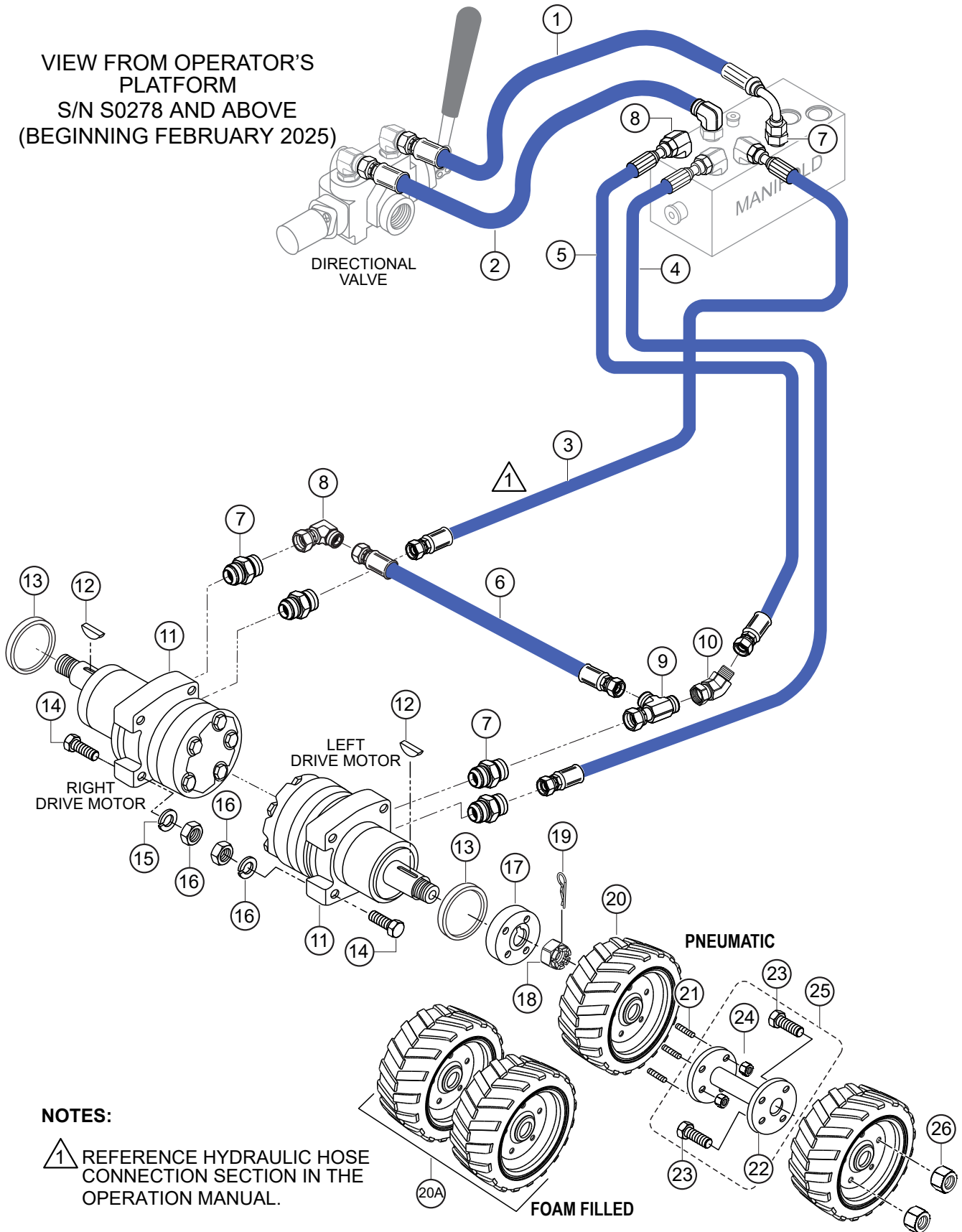
1 REFERENCE HYDRAULIC HOSE CONNECTION SECTION IN THE OPERATION MANUAL.

WHITE DRIVE MOTORS ASSY.

<u>NO.</u>	<u>PART NO.</u>	<u>PART NAME</u>	<u>QTY.</u>	<u>REMARKS</u>
1	513598	HOSE, MANIFOLD	1	
2	18265M	HOSE, MANIFOLD	1	
3	513606	HOSE, RH HYDRAULIC MOTOR	1	
4	511810	ADAPTER, ELBOW	2	
5	513605	HOSE, LH HYDRAULIC MOTOR	1	
6	512189	ADAPTER, T-CONNECTOR	1	
7	492527	NUT, HEX 1/2"-20	8	
8	18029	WHEEL	4.....	PNEUMATIC TIRE
8A	18029F	WHEEL, DRIVE ASSY. FRONT	4.....	FOAM FILLED TIRE
9@	511692	FLANGE, HUB	2	
10@	18237	LUG BOLT/HUB FLANGE	8	
11	492584	NUT, HEX 1/2"-13 NYLON	8	
12	18190	SCREW, HUB STUD 1/2"-20 X 2-3/4"	8	
13	491689	KEY, COTTER 1/8" X 2	2	
14	PT018038	NUT, CASTLE 1-1/8"-18	2	
15	803281	HUB, DRIVE	2	
16	3365	ADAPTER, STRAIGHT	4	
17	505718	SCREW, HHC 1/2"-13 X 2-3/4"	8	
18	18011	MOTOR, HYDRAULIC DRIVE	2	
19	PE449105	KEY, WOODRUFF 1-1/4" 32 MM	2	
20	492600	WASHER, FLAT 1/2"	8	
21	492584	NUT, NYLOC 1/2"-13	8	
22	18027	HOSE, DRIVER MOTOR CROSSOVER	1	
23	513602	HOSE, MANIFOLD	1	
24	513547	ADAPTER, ELBOW	1	
25	513601	HOSE, MANIFOLD	1	
26	513603	HOSE, MANIFOLD	1	
28	513607	HOSE, HYDRAULIC	1	
29	516528	FLANGE HUB, ASSY.	1.....	INCLUDES ITEMS W/@
30	512201	ADAPTER ELBOW	1	

HENGLI DRIVE MOTORS ASSY.

VIEW FROM OPERATOR'S
PLATFORM
S/N S0278 AND ABOVE
(BEGINNING FEBRUARY 2025)



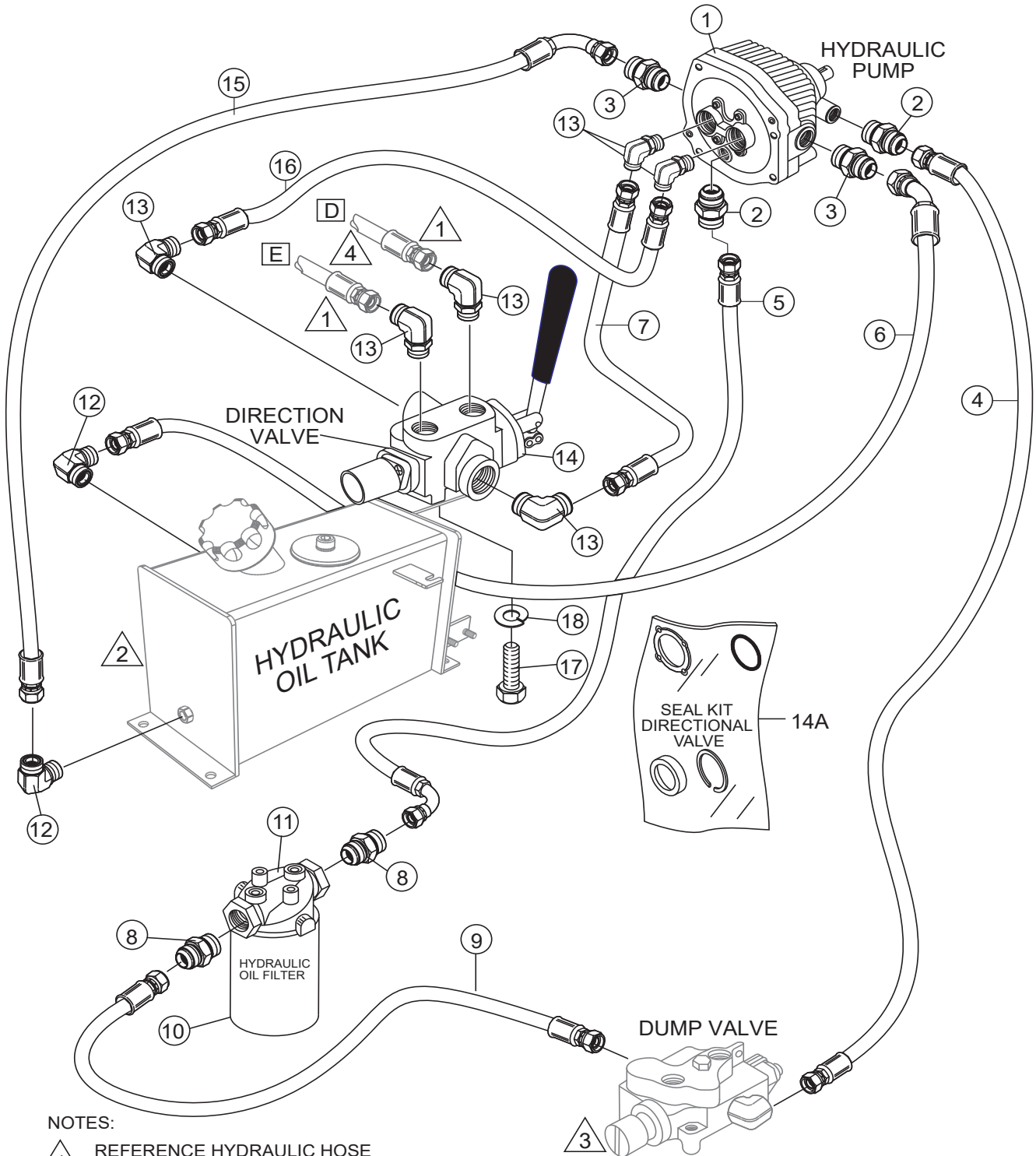
NOTES:

⚠ REFERENCE HYDRAULIC HOSE CONNECTION SECTION IN THE OPERATION MANUAL.

HENGLI DRIVE MOTORS ASSY.

<u>NO.</u>	<u>PART NO.</u>	<u>PART NAME</u>	<u>QTY.</u>	<u>REMARKS</u>
1	CIP810288	HYDRAULIC HOSE	1	
2	CIP810287	HYDRAULIC HOSE	1	
3	CIP810277	HYDRAULIC HOSE	1	
4	CIP810276	HYDRAULIC HOSE	1	
5	CIP810280	HYDRAULIC HOSE	1	
6	CIP808647	HYDRAULIC HOSE	1	
7	506203	FITTING	6	
8	506195	FITTING, 90°	3	
9	506202	FITTING, TEE	1	
10	506200	FITTING, 45°	1	
11	809239	MOTOR, HYDRAULIC ORBITAL	2	
12	PE449105	KEY, WOODRUFF 1-1/4" 32MM	2	
13	809610	SPACER, RING	2	
14	CIP210J	HEX. HEAD BOLT 1/2-13 X3.1/4 G5	8	
15	6109180	WASHER, LOCK 1/2"	8	
16	492584	NUT, NYLOC 1/2"-13	8	
17	CIP809428C	HUB DIRVE, HENGLI MOTOR	2	
18	PT018038	NUT, CASTLE 1-1/8"-18	2	
19	491689	KEY, COTTER 1/8"-18	2	
20	18029	WHEEL AND TIRE ASSY.....	4	PNEUMATIC TIRE
20A	18029F	WHEEL AND TIRE ASSY.....	4	FOAM FILLED TIRE
21	18190	SCREW, HUB STUD 1/2"-20 X 2-3/4"	8	
22#	511692	FLANGE, HUB	2	
23#	18237	LUG BOLT/HUB FLANGE	8	
24	492584	NUT, HEX. 1/2"-13 NYLON	8	
25	516528	FLANGE HUB ASSY.....	1	INCLUDES ITEMS W/#
26	492527	NUT, HEX. 1/2"-20	8	

EATON HYDRAULIC PUMP ASSY.



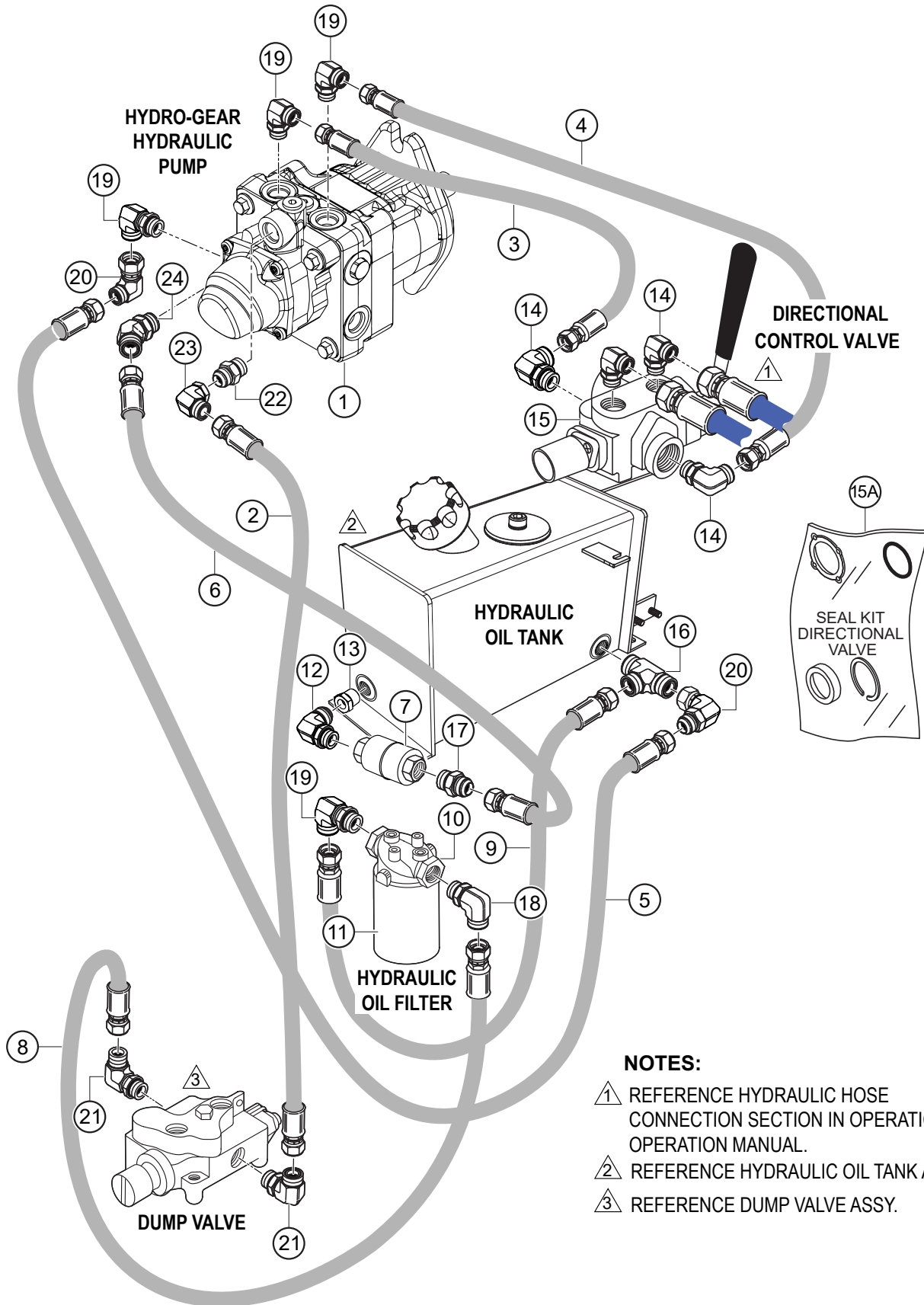
NOTES:

- 1** REFERENCE HYDRAULIC HOSE CONNECTION SECTION IN THE OPERATION MANUAL.
- 2** REFERENCE HYDRAULIC OIL TANK ASSEMBLY.
- 3** REFERENCE DUMP VALVE ASSEMBLY.
- 4** REFERENCE HYDRAULIC DRIVE ASSEMBLY 1 ITEMS 1 AND 2 FOR HOSE PART NUMBERS

EATON HYDRAULIC PUMP ASSY.

<u>NO.</u>	<u>PART NO.</u>	<u>PART NAME</u>	<u>QTY.</u>	<u>REMARKS</u>
1	18035	PUMP, HYDRAULIC	1	
2	511808	ADAPTER, STRAIGHT	2	
3	3365	ADAPTER, STRAIGHT	2	
4	18256M	HOSE, PUMP TO DUMP VALVE	1	
5	18258M	HOSE, FILTER TO PUMP	1	
6	18261M	HOSE, PUMP TO TANK	1	
7	513599	HOSE, PUMP TO DIRECTION VALVE	1	
8	512190	ADAPTER, STRAIGHT	2	
9	18257M	HOSE, FILTER TO DUMP VALVE	1	
10	508667	FILTER, HYDRAULIC OIL	1	
11	508664	SUPPORT, FILTER	1	
12	511799	ADAPTER, ELBOW	2	
13	3322	ADAPTER, ELBOW	6	
14	18058	VALVE, DIRECTION CONTROL	1	
14A	18058SK	SEAL KIT	1	
15	18262M	HOSE, TANK TO PUMP	1	
16	18266M	HOSE, PUMP TO DIRECTION VALVE	1	
17	EM963055	HEX HEAD CAP SCREW	2.....	REPLACES P/N 492373
18	0166 A	WASHER, LOCK 3/8"	2.....	REPLACES P/N 492624

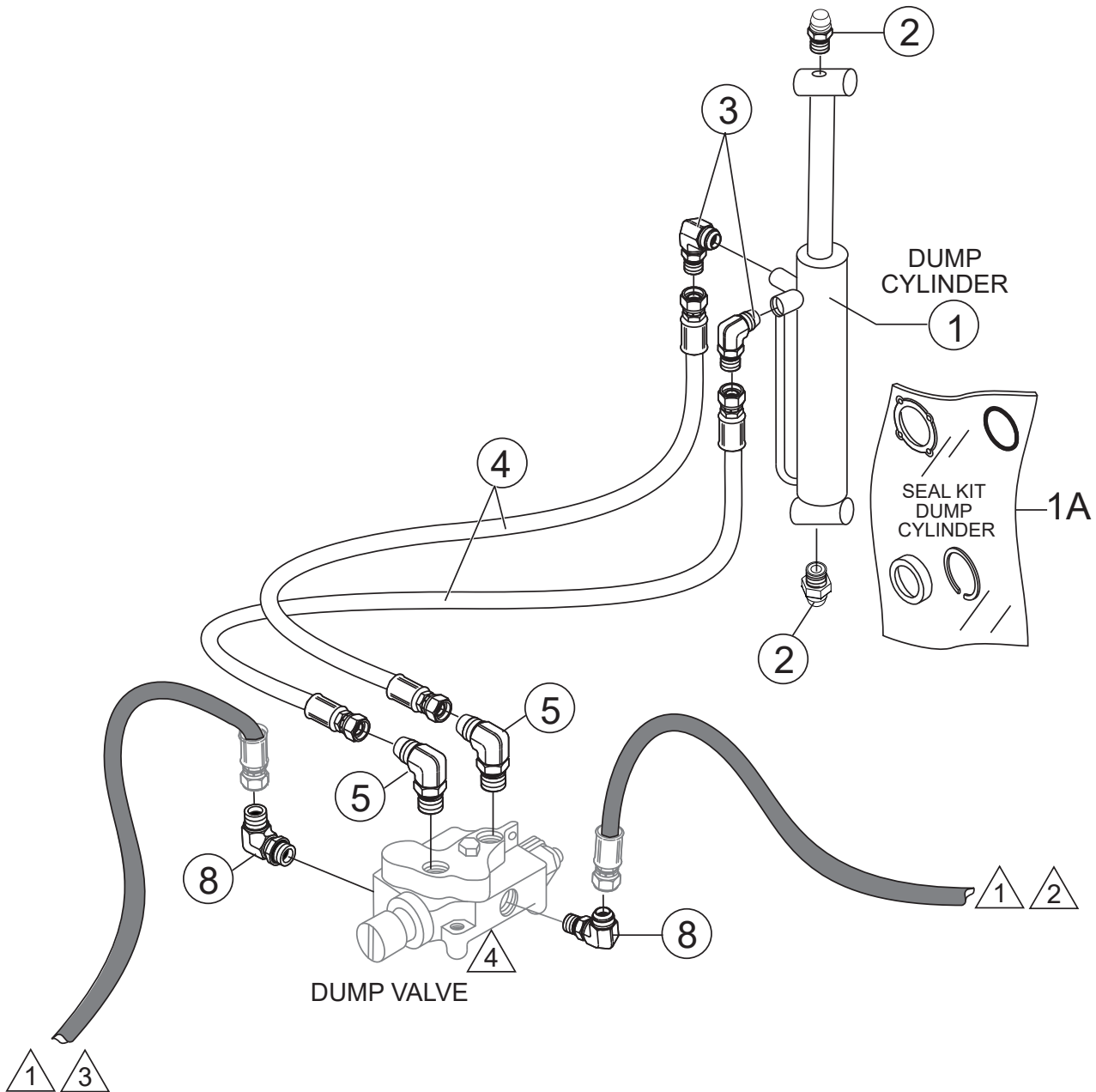
HYDRO-GEAR HYDRAULIC PUMP ASSY.



HYDRO-GEAR HYDRAULIC PUMP ASSY.

<u>NO.</u>	<u>PART NO.</u>	<u>PART NAME</u>	<u>QTY.</u>	<u>REMARKS</u>
1	808770	TRANSMISSION, HYDRO-GEAR	1	
2	808648	HOSE, PUMP TO DUMP VALVE	1	
3	810278	HOSE, PUMP TO DIRECTION VALVE	1	
4	810279	HOSE, PUMP TO DIRECTION VALVE	1	
5	CIP808654	HOSE, PUMP TO OIL TANK	1	
6	810845	HOSE, PUMP TO IN-LINE FILTER	1	
7	13210	STRAINER, IN-LINE	1	
8	808649	HOSE, HYD. FILTER TO DUMP VALVE	1	
9	808651	HOSE, OIL TANK TO HYD. FILTER	1	
10	508664	HYDRAULIC FILTER HEAD	1	
11	508667	HYDRAULIC FILTER	1	
12	511799	ADAPTER, ELBOW	1	
13	522500	REDUCER 1 X 1/2" PTR-S	1	
14	EM16524	ADAPTER, ELBOW	4	
15	18058	VALVE, DIRECTION CONTROL, TRAVEL	1	
15A	18058SK	SEAL KIT, DIRECTION VALVE	1	
16	506201	FITTING TEE	1	
17	808862	ADAPTER, 10-12 FTX	1	
18	511804	ADAPTER, ELBOW	1	
19	EM25507	ADAPTER, ELBOW	4	
20	506195	ADAPTER, ELBOW	2	
21	506191	ADAPTER, ELBOW	2	
22	512190	ADAPTER, STRAIGHT	1	
23	519967	ADAPTER, ELBOW	1	
24	514230	ADAPTER 10 V50X-S	1	

HYDRAULIC DUMP ASSY.



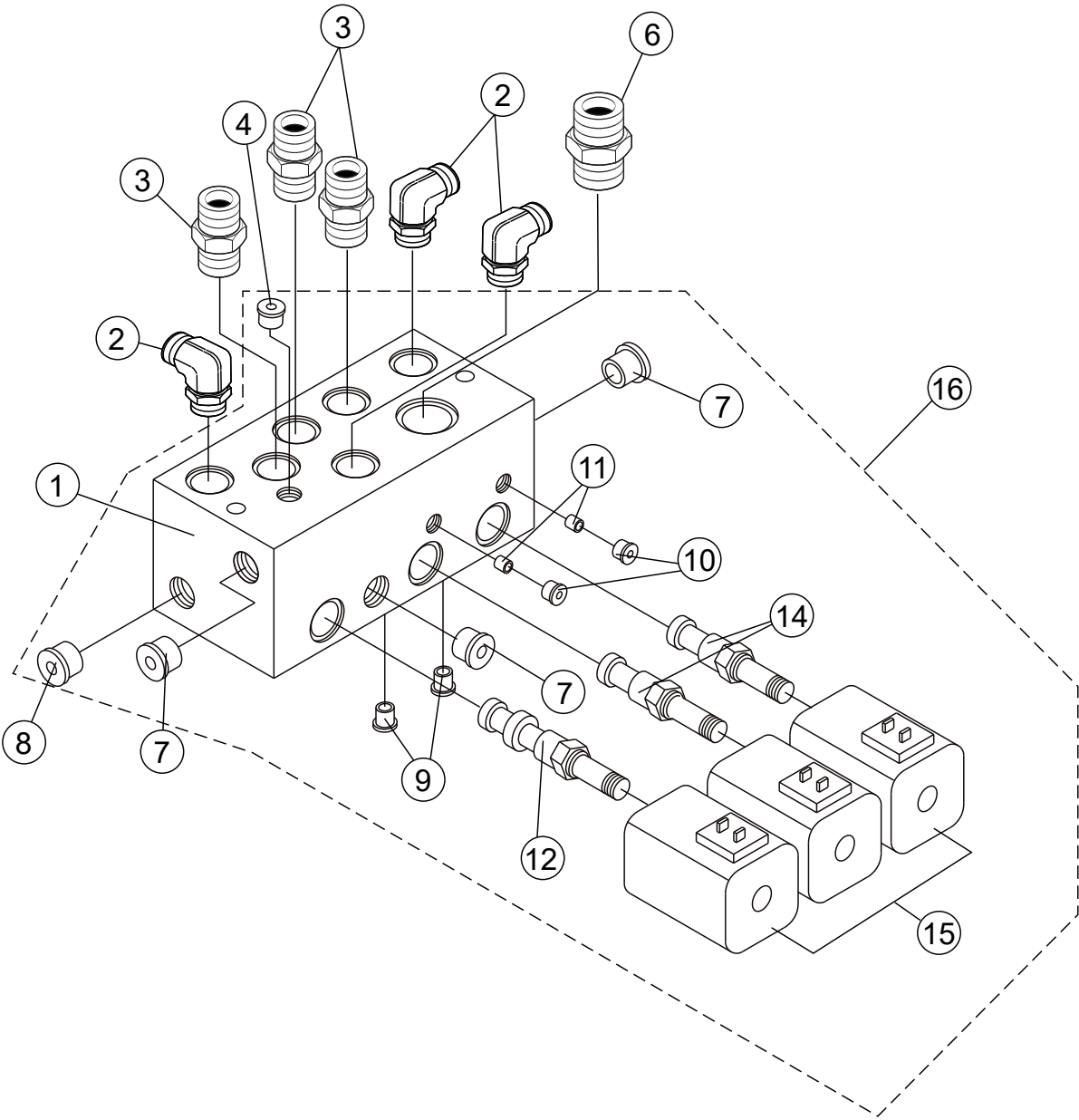
NOTES:

- 1 REFERENCE HYDRAULIC HOSE CONNECTION SECTION.
- 2 REFERENCE HYDRAULIC PUMP ASSEMBLY ITEM 4 FOR HOSE PART NUMBER.
- 3 REFERENCE HYDRAULIC PUMP ASSEMBLY ITEM 9 FOR HOSE PART NUMBER.
- 4 REFERENCE HANDLE/FOOT DUMP CONTROLS ASSEMBLY ITEM 8 FOR DUMP VALVE PART NUMBER.

HYDRAULIC DUMP ASSY.

<u>NO.</u>	<u>PART NO.</u>	<u>PART NAME</u>	<u>QTY.</u>	<u>REMARKS</u>
1	18022	CYLINDER, HYDRAULIC DUMP	1	
1A		SEAL KIT, DUMP CYLINDER.....	1.....	CONTACT MQ PARTS DEPT.
2	491705	ZERK FITTING	2	
3	511803	ADAPTER, ELBOW	2	
4	18020	HOSE, DUMP VALVE TO HYD. PISTON	2	
5	511804	ADAPTER, ELBOW MALE	2	
8	506191	ADAPTER, ELBOW	2	

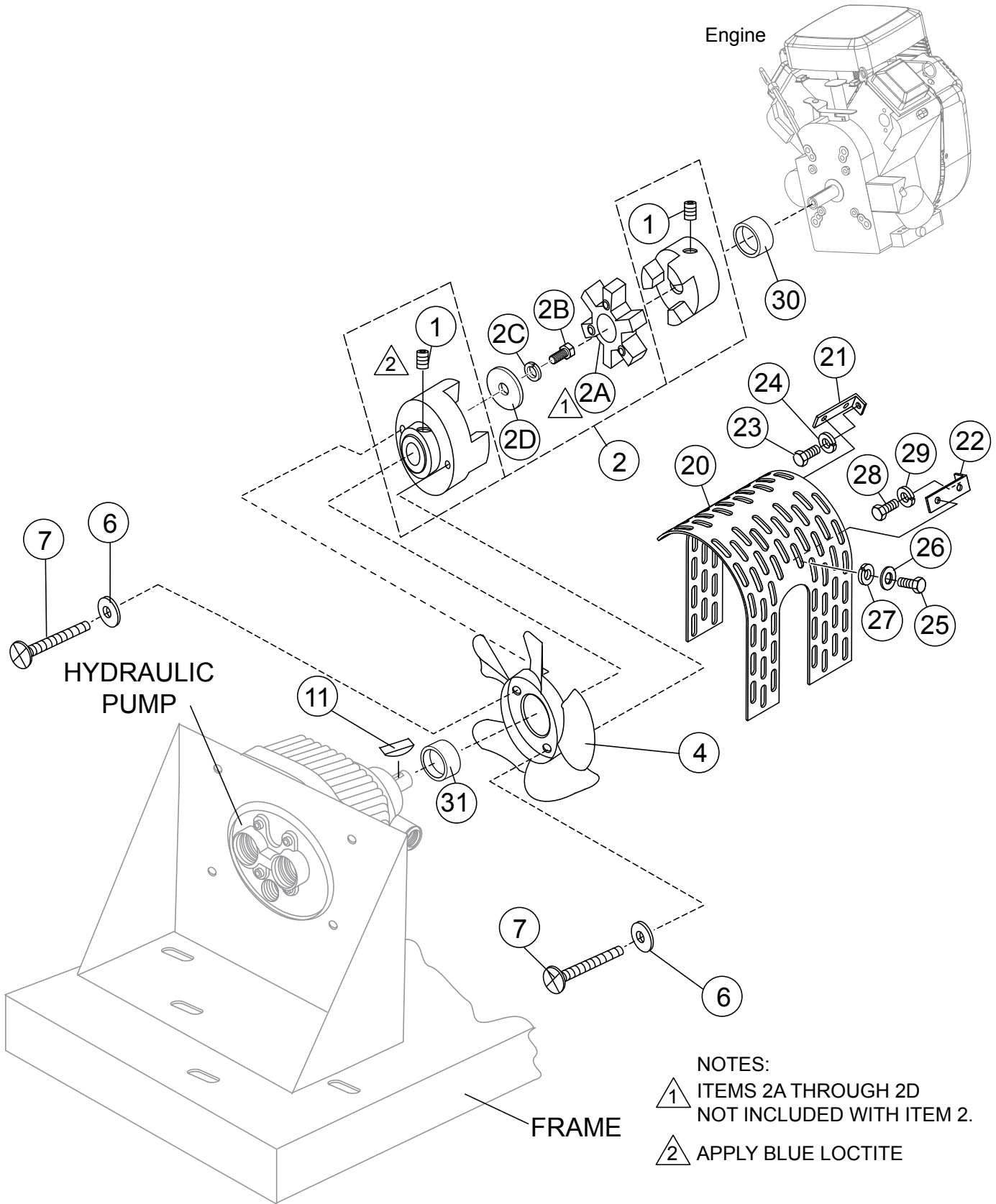
MANIFOLD ASSY.



MANIFOLD ASSY.

<u>NO.</u>	<u>PART NO.</u>	<u>PART NAME</u>	<u>QTY.</u>	<u>REMARKS</u>
1\$	18045	MANIFOLD BLOCK	1	
2	3322	ADAPTER, ELBOW	3	
3	3365	ADAPTER, STRAIGHT	3	
4\$	509103	ADAPTER	1	
6	513548	ADAPTER, STRAIGHT	1	
7\$	18159	ADAPTER	3	
8\$	18147	ADAPTER	1	
9\$	18161	ADAPTER	2	
10\$	25539	ADAPTER	2	
11\$	18134	ORIFICE	2	
12\$	18174	SOLENOID, CARTRIDGE	1	
14\$	18093KIT	CARTRIDGE VALVE ASSY. W/ 12V COIL	2	
15\$	507785	COIL, SOLENOID	3	
16	18127	MANIFOLD ASSEMBLY.....	1.....	INCLUDES ITEMS W/\$

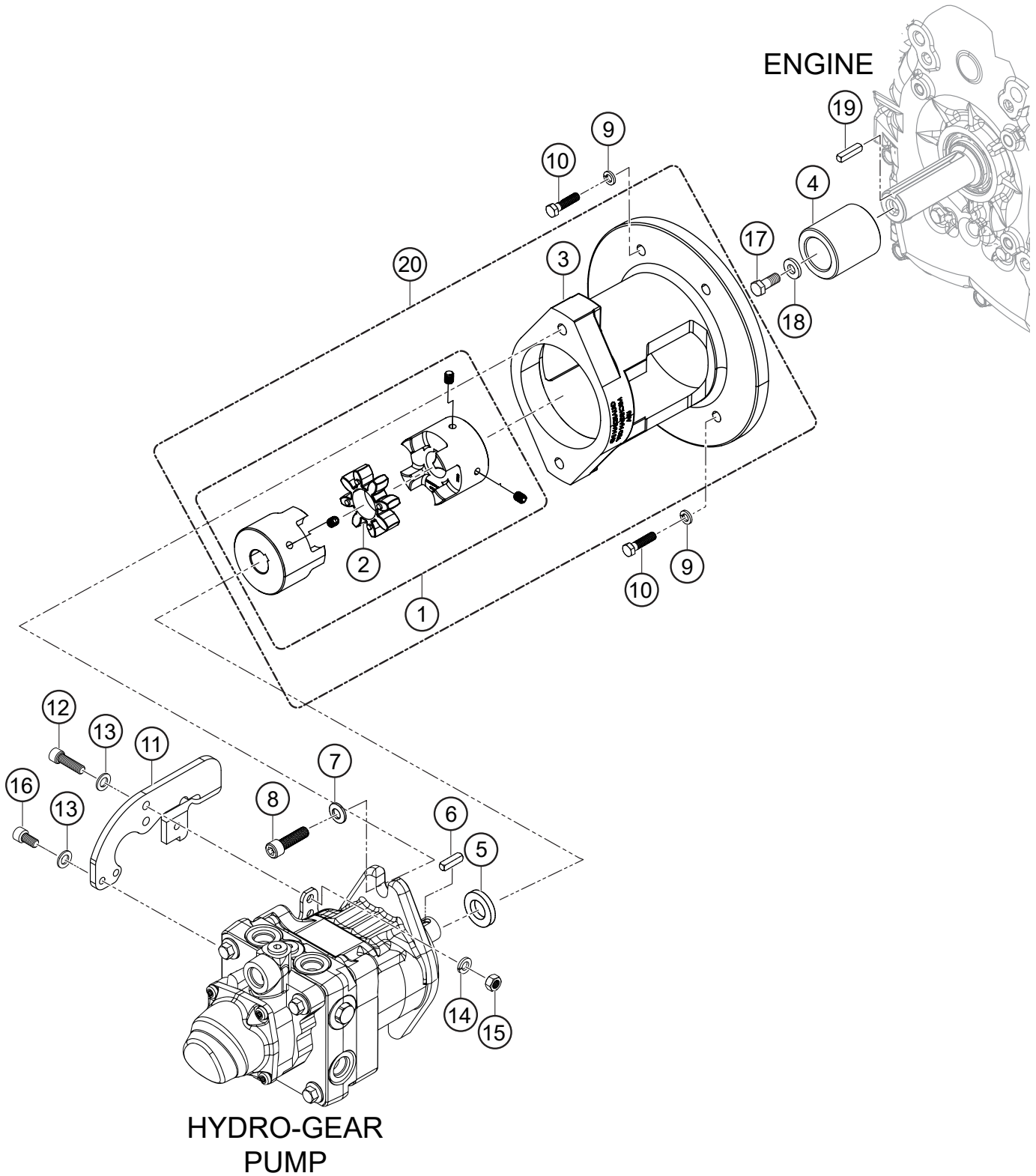
EATON PUMP AND COUPLING ASSY.



EATON PUMP AND COUPLING ASSY.

<u>NO.</u>	<u>PART NO.</u>	<u>PART NAME</u>	<u>QTY.</u>	<u>REMARKS</u>
1#	492472	SCREW, ALLEN HEAD 3/8"-16 X 3/4"	2	
2	18051	COUPLING, ENGINE SHAFT.....	1.....	INCLUDES ITEM W/#
2A	18051RS	SPIDER, URETHANE	1	
2B	492356	SCREW, 1/4" X 3/4" GRD 5	1	
2C	492622	WASHER, LOCK 1/4"	1	
2D	EM923057	WASHER, FLAT 3/4".....	1.....	REPLACES P/N 504451
4	18112	FAN	1	
6	EM923057	WASHER, FLAT 1/4".....	2.....	REPLACES P/N 492596
7	492355	SCREW, HHC 1/4"-20 X 1/2"	2	
11	506250	KEY, WOODRUFF	1	
20	513761	FAN GUARD, AWD	1	
21	512493	BRACKET, LONG	1	
22	513737	BRACKET, SHORT	1	
23	EM963055	BOLT, HHCS 3/8" NC X 3/4" GRD 5.....	1.....	REPLACES P/N 492373
24	0166A	WASHER, LOCK 3/8".....	1.....	REPLACES P/N 492624
25	512367	BOLT, C/H 3/16" NC X 1/2" GRD 2	4	
26	492595	WASHER, FLAT 3/16"	4	
27	492621	WASHER, LOCK 3/16"	4	
28	492438	BOLT, C/H 5/16" NF X 1" GRD 5	1	
29	492623	WASHER, LOCK 5/16"	1	
30	802442	LOCK COLLAR	1	
31	803009	BUSHING, HYDRAULIC PUMP	1	

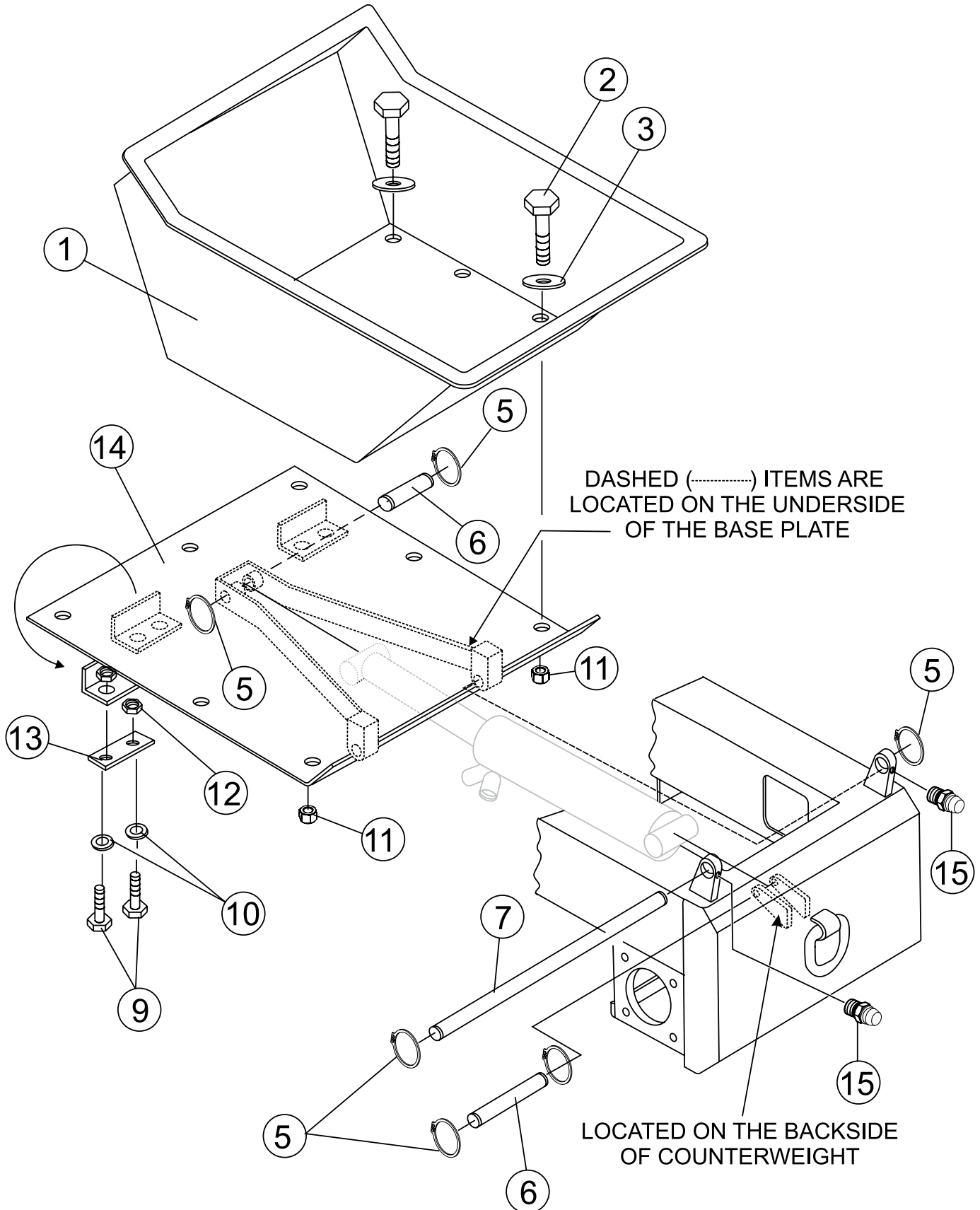
HYDRO-GEAR PUMP AND COUPLING ASSY.



HYDRO-GEAR PUMP AND COUPLING ASSY.

<u>NO.</u>	<u>PART NO.</u>	<u>PART NAME</u>	<u>QTY.</u>	<u>REMARKS</u>
1%	808658C	COUPLING ASSEMBLY	1.....	INCLUDES ITEMS W/#
2#%	808658S	SPIDER COUPLING	1	
3%	809166	MACHINED HOUSING, COUPLING	1	
4	809845	ENGINE COUPLING SEPARATOR	1	
5	810218	COUPLING SPACER	1	
6	CIP502625	KEY, 1/4" X 25MM	1	
7	CIP519337	WASHER, FLAT	2	
8	510717	BOLT, 1/2" X 1-3/4"	2	
9	0166A	WASHER, LOCK	4	
10	EM963057	BOLT, 3/8" X 1-1/2"	4	
11	808650	ACTIVATION LEVER HYDRO-GEAR PUMP	1	
12	520467	BOLT, 5/16" NF X 1"	2	
13	508344	WASHER, FLAT 5/16"	4	
14	EM923343	WASHER, LOCK 5/16"	2	
15	509143	HEX. NUT, 5/16"	2	
16	808771	BOLT, 5/16" NF X 1/2"	2	
17	492451	HEX. HEAD SCREW 3/8" NF X 1" G5	1	
18	3019092	WASHER, FLAT 3/8	1	
19	500214	KEY, SQUARE 1/4" X 30MM	1	
20	809988	COUPLING-HOUSING KIT.....	1.....	INCLUDES ITEMS W/%

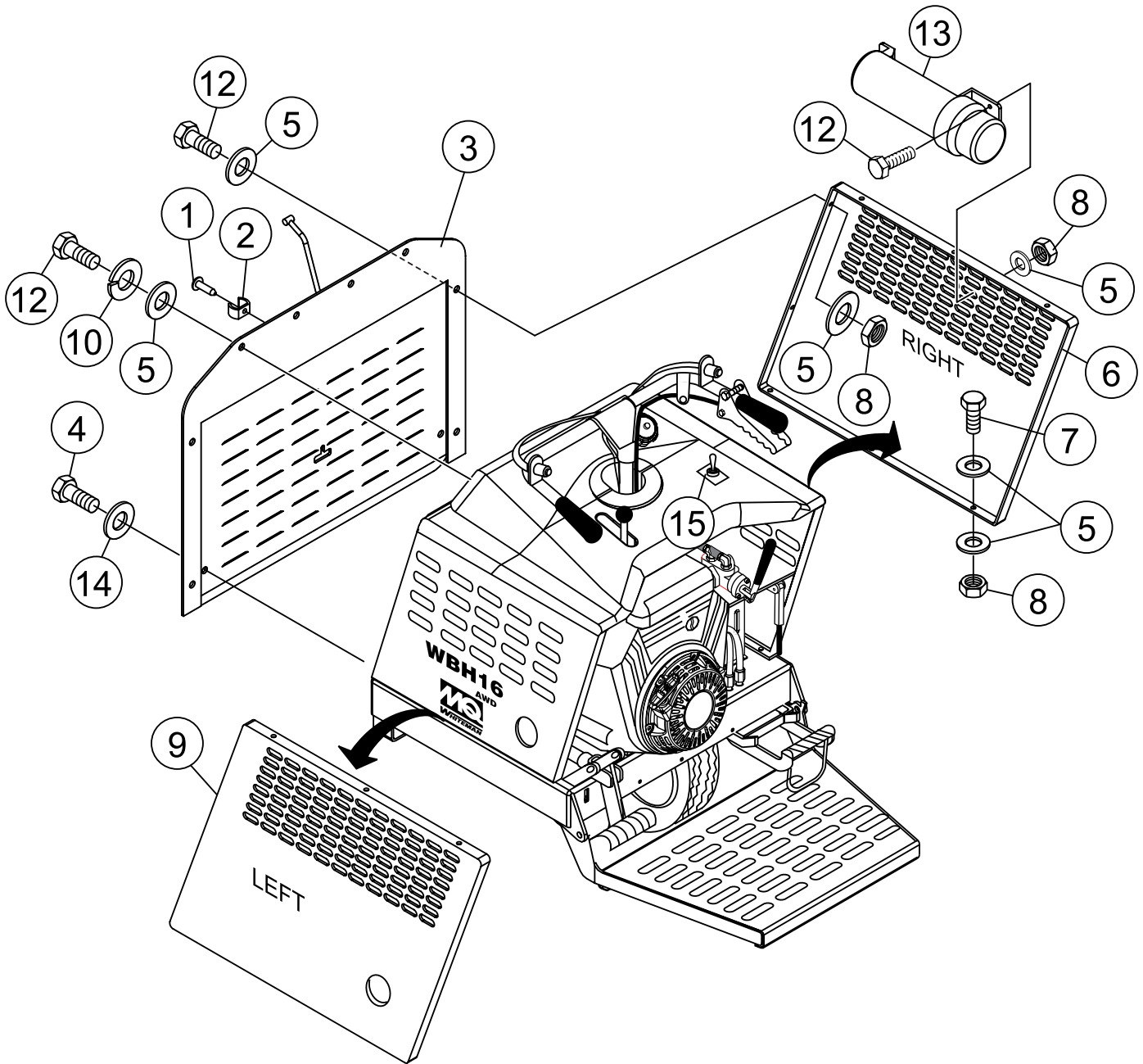
TUB ASSY.



TUB ASSY.

<u>NO.</u>	<u>PART NO.</u>	<u>PART NAME</u>	<u>QTY.</u>	<u>REMARKS</u>
1	18004	TUB, PLASTIC, 16 CU. FT.	1	
2	492313	SCREW, HHC 3/8"-16 X 1-1/2"	9	
3	512193	WASHER, FLAT 3/8" LARGE	9	
5	490957	RING, SNAP	6	
6	18130	PIN, HYD. PISTON CROSS	2	
7	18129	PIN, TUB FRAME CROSS	1	
9	0202	SCREW, HHC 5/16"-18 X 1" ZINC	4.....	REPLACES P/N 492364
10	492597	WASHER, FLAT 9.5 X 22.2	8	
11	492583	NUT, NYLOC 3/8"-16	9	
12	492582	NUT, NYLOC 5/16"-18	4	
13	512279	SUPPORT, BUM STOP	2	
14	18099	FRAME, TUB MOUNT, 16 CU. FT.	1.....	BEFORE JULY 2020
14	522262	FRAME, TUB MOUNT, 16 CU. FT.	1.....	EFFECTIVE JULY 2020
15	EM916019	GREASE FITTING	2.....	REPLACES P/N 491705

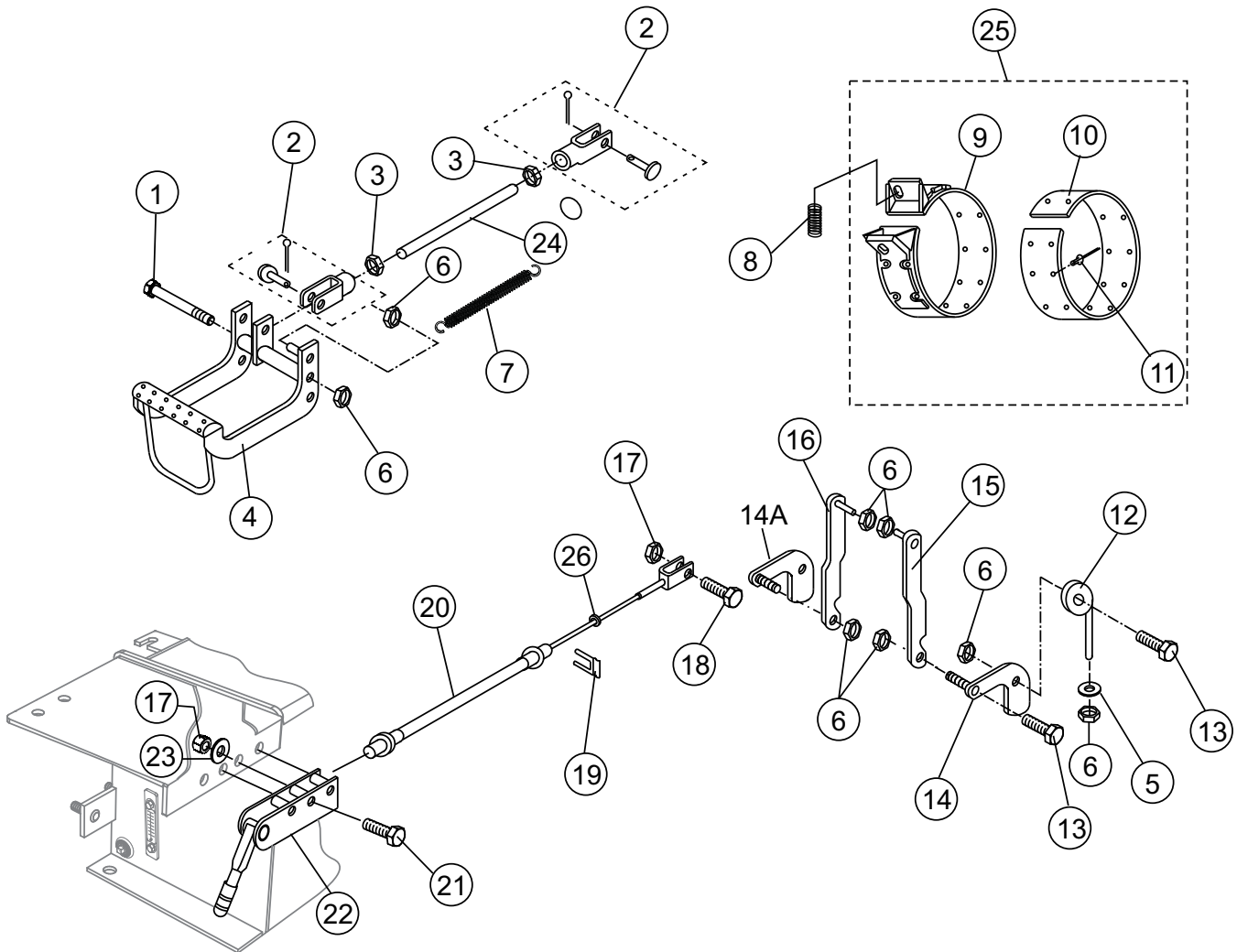
PANEL ASSY.



PANEL ASSY.

<u>NO.</u>	<u>PART NO.</u>	<u>PART NAME</u>	<u>QTY.</u>	<u>REMARKS</u>
1	503978	POP RIVET AM-56	1	
2	511474	FASTENER, ACCESS DOOR	1	
3	18008	DOOR, ACCESS	1	
4	492355	SCREW, 1/4" NC X 1/2" GRD 5	2	
5	492597	WASHER, FLAT 3/8"	32	
6	18141	COVER, RIGHT/SIDE ENGINE	1	
7	492364	SCREW, HHC 5/16"-18 X 1"	6	
8	492582	NUT, NYLOC 5/16"-18	9	
9	801026	COVER, LEFT/SIDE ENGINE	1	
10	492623	WASHER, LOCK 5/16"	4	
12	492363	SCREW, HHC 5/16" NC X 3/4" GRD 5	10	
13	23297	MANUAL HOLDER	1	
14	EM923057	WASHER, 1/4"	4.....	REPLACES P/N 492596
15	EM16754	2WD/AWD TOGGLE SWITCH	1	

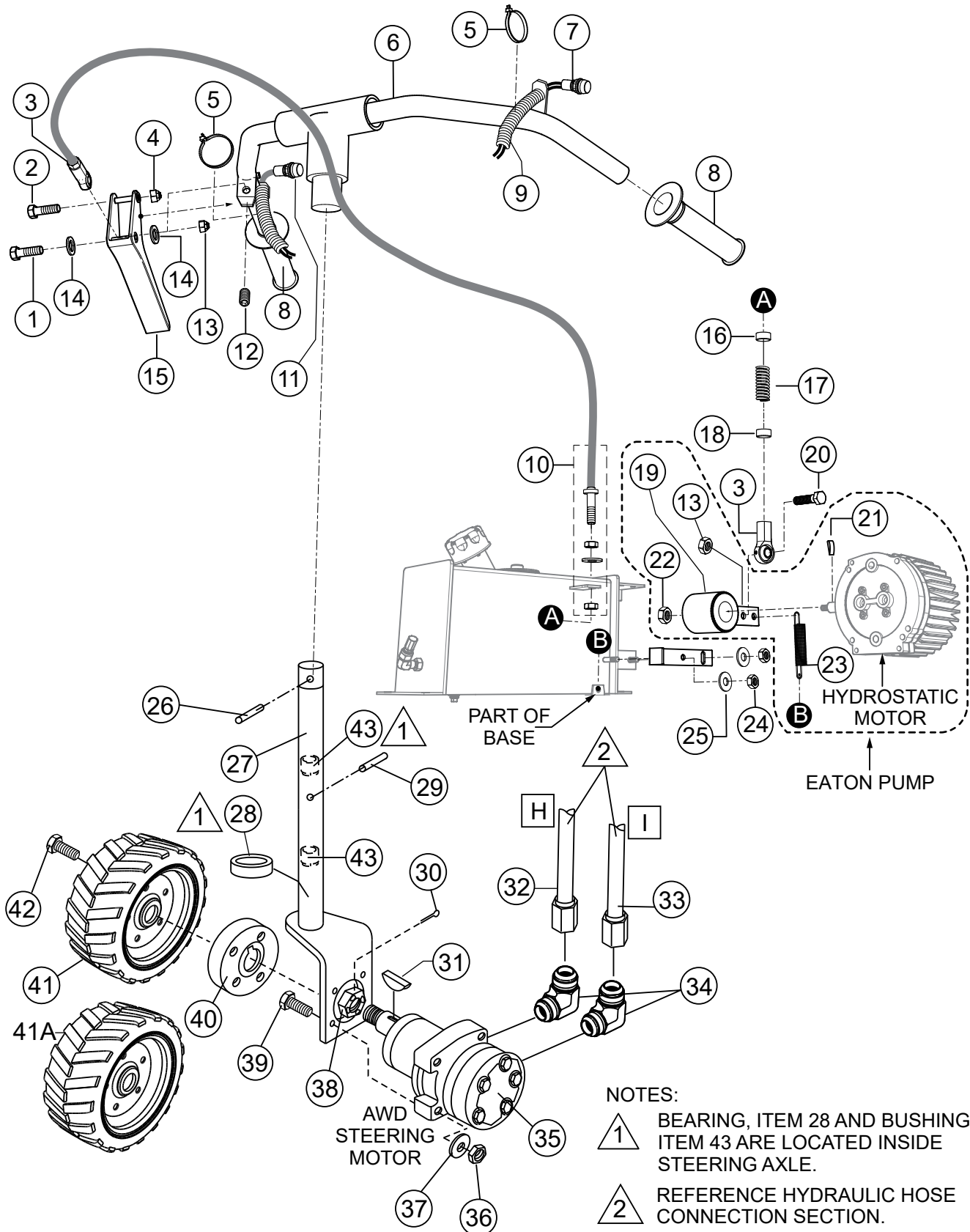
BRAKE ASSY.



BRAKE ASSY.

<u>NO.</u>	<u>PART NO.</u>	<u>PART NAME</u>	<u>QTY.</u>	<u>REMARKS</u>
1	511762	SCREW, HHC 1/2"-13 X 8"	1	
2	511698	CLEVIS, ASSY. BRAKE	2	
3	492574	NUT, HEX 3/8"-24 NF	2	
4	18111	PEDAL, BRAKE	1	
5	621	WASHER, FLAT 1/2"	1	
6	492584	NUT, NYLOC 1/2"-13	10	
7	18167	SPRING, BRAKE PEDAL	1	
8	18307	SPRING, BRAKE	2	
9\$		BAND, BRAKE.....	2.....	NOT SOLD SEPARATELY
10\$		LINING, BRAKE.....	2.....	NOT SOLD SEPARATELY
11\$	503723	RIVET, BRAKE LINING	56	
12	18303	SHAFT, CRANK PIN	2	
13	492395	SCREW, HHC 1/2"-13 X 1-3/4"	1	
14	512602	BRAKE LEVER, LEFT	1	
14A	512601	BRAKE LEVER, RIGHT	1	
15	18032	LINKAGE, RIGHT BRAKE	1	
16	18314	LINKAGE, LEFT BRAKE	1	
17	492582	NUT, NYLOC 5/16"	3	
18	492365	SCREW, HHC 5/16" NC X 1-1/4" GRD 5	1	
19	505170	CLIP, PARK CABLE	1	
20	18016	CABLE, PARK BRAKE	1	
21	492367	SCREW, HHC 5/16"-18 X 1-3/4"	3	
22	18057	LEVER, ASSY. PARK BRAKE	1	
23	492597	WASHER, FLAT 3/8"	6	
24	18145	ROD, BRAKE CONTROL	1	
25	512881	BRAKE BAND ASSY.....	2.....	INCLUDES ITEMS W/\$
26	6109170	WASHER, FLAT 1/2".....	2.....	REPLACES P/N 492600

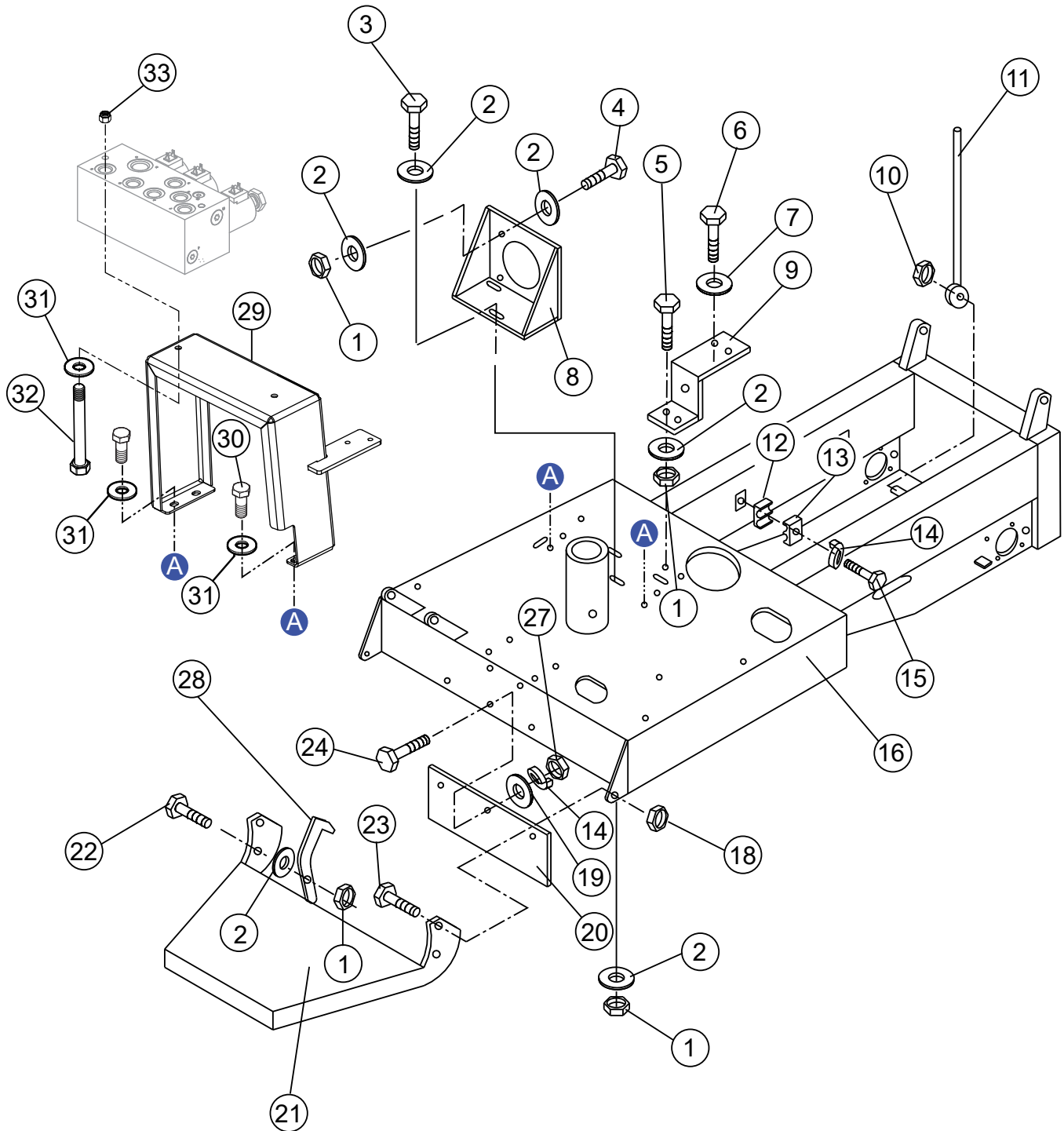
STEERING AND CONTROLS ASSY.



STEERING AND CONTROLS ASSY.

<u>NO.</u>	<u>PART NO.</u>	<u>PART NAME</u>	<u>QTY.</u>	<u>REMARKS</u>
1	506088	SCREW, HHC 1/4"-20 X 3/8"	1	
2	492369	SCREW, HHC 5/16"-18 X 2-1/4"	1	
3	18183	ROD-END, THROTTLE CABLE	2	
4	492582	NUT, NYLOC 5/16"-18	1	
5	EM504505	WRAP, TIE	2	REPLACES P/N 504505
6	18242	HANDLE BAR	1	REPLACES P/N 18282
7	18044	SWITCH, TRACTION ASSIST	1	
8	15081	GRIP, HANDLE	2	REPLACES P/N 511432
9	505304	COVER, WIRE (LOOM).....	1	1 PC = 1 FT
10	18133	CABLE, THROTTLE	1	
11	18043	SWITCH, KILL	1	
12	492465	SCREW, ALLEN HEAD 1/4"-20 X 3/8"	1	
13	492581	NUT, NYLOC 1/4"-20	2	
14	509161	WASHER, FLAT 5/16"	2	
15	18132	LEVER, THROTTLE	1	
16	18182	BUSHING, CABLE	1	
17	18176	SPRING	1	
18	18181	BUSHING, CABLE	1	
19	18061	LEVER, CONTROL	1	
20	492357	SCREW, HHC 1/4"-20 X 1	1	
21	511717	KEY, WOODRUFF 1/8" X 5/8"	1	
22	492584	NUT, NYLOC 1/2"-13	1	
23	18177	SPRING	1	
24	492583	NUT, NYLOC 3/8"	2	
25	492598	WASHER, FLAT 3/8"	2	
26	491723	PIN, STEERING SHAFT	1	
27	18255	STEERING COLUMN, EATON	1	
27	810286	STEERING COLUMN, HYDRO-GEAR	1	
28	18238	BEARING, STEERING SHAFT	1	
29	512186	PIN, STEERING SHAFT	1	
30	491689	COTTER PIN, 1/8" X 2"	1	
31	3311	KEY, WOODRUFF 1-1/4" 32 MM.....	2	REPLACES P/N PE449105
32	513611	HOSE, HYDRAULIC MOTOR	1	
33	513610	HOSE, HYDRAULIC MOTOR	1	
34	512201	ADAPTER, ELBOW	2	
35	18011	MOTOR, HYDRAULIC DRIVE, WHITE	1	JANUARY 2025 AND BELOW
35	809239	MOTOR, HYD. ORBITAL, HENGLI.....	1	FEBRUARY 2025 AND ABOVE
36	492584	NUT, NYLOC 1/2"	4	
37	492600	WASHER, FLAT 1/2"	4	
38	PT018038	NUT, CASTLE 1-1/8"	1	
39	3215	SCREW, HHC 1/2-13" X 3-1/2"	4	
40	18207	HUB, DRIVE, EATON	1	
40	810291	HUB, REAR, HYDRO-GEAR	1	
41	18082	WHEEL, STEERING REAR.....	1	PNEUMATIC TIRE
41A	18082F	WHEEL, STEERING REAR.....	1	FOAM FILLED TIRE
42	18083	CONE BOLT 1/2" X 1-1/2"	4	
43	512200	BUSHING, BRONZE	2	

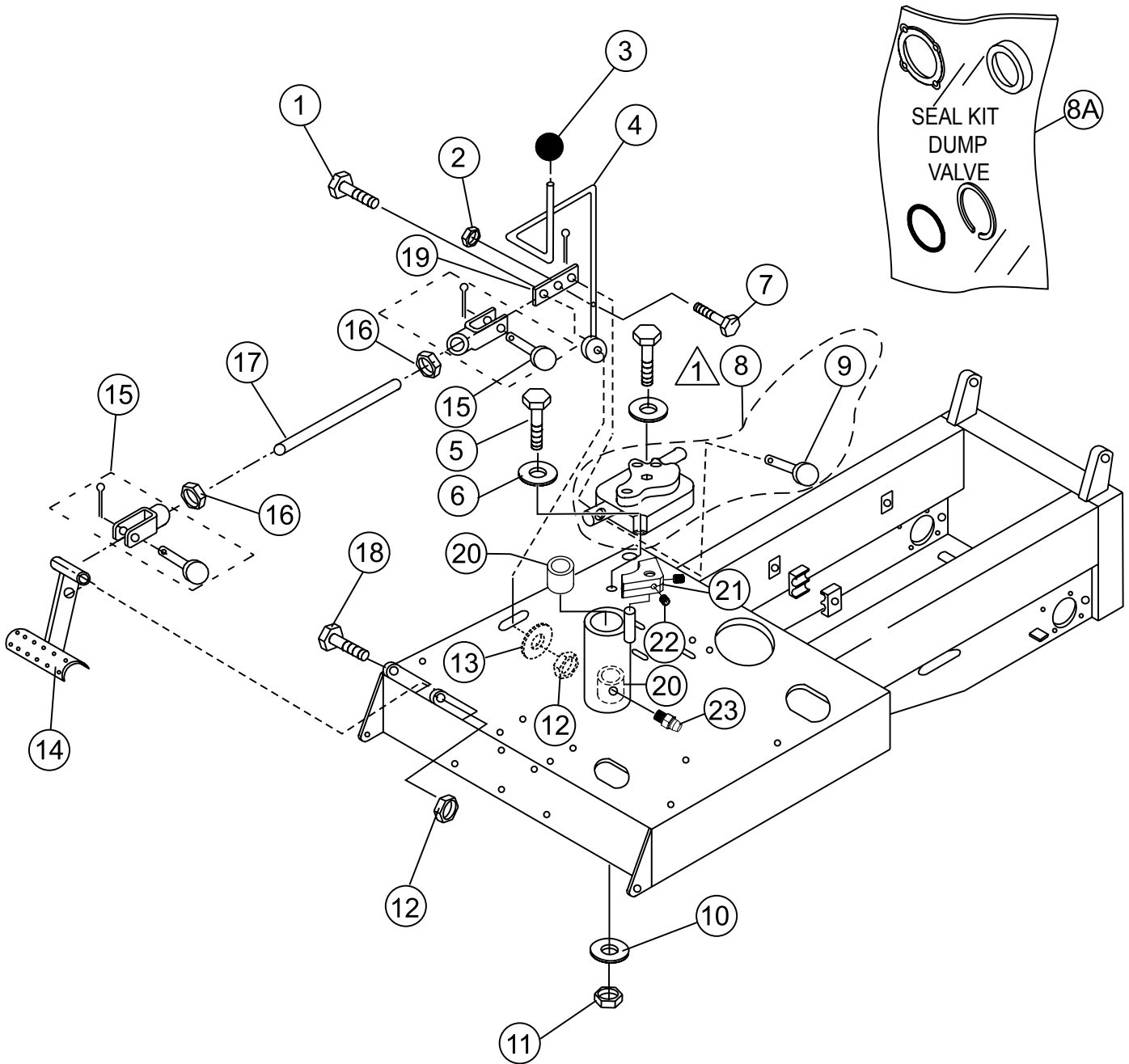
CHASSIS ASSY.



CHASSIS ASSY.

<u>NO.</u>	<u>PART NO.</u>	<u>PART NAME</u>	<u>QTY.</u>	<u>REMARKS</u>
1	492583	NUT, NYLOC 3/8"	10	
2	492598	WASHER, FLAT 3/8"	18	
3	492313	SCREW, HHC 3/8"-16 X 1-1/2"	3	
4	503112	SCREW, HHC 3/8"-16 X 2-3/4"	4	
5	492375	SCREW, HHC 3/8"-16 X 12	2	
6	492356	SCREW, HHC 1/4" NC X 3/4" GRD 5	2	
7	492622	WASHER, LOCK 1/4"	2	
8	512196	BRACKET, EATON HYD. PUMP MOUNTING	1	
8	810284	BLOCK/FILTER SUPPORT, HYDRO-GEAR	1	
9	18146	MOUNT, OIL FILTER	1	
10	505069	NUT, NYLOC 3/4"-10	1	
11	18198	ROD, TUB PROP, EATON	1	
11	809510	ROD, SAFETY, HYDRO-GEAR	1	
12	505976	CLAMP, BRACKET	2	
13	506185	CLAMP, BRACKET	2	
14	492623	WASHER, LOCK 5/16"	5	
15	492366	SCREW, HHC 5/16"-18 X 1-1/2"	2	
16	18047	CHASSIS, EATON	1	
16	808772	CHASSIS, HYDRO-GEAR	1	
18	492586	NUT, NYLOC 5/8"-11	2	
19	492597	WASHER, FLAT 9.5 X 22.2	3	
20	18162	PANEL, REAR WHEEL COVER	1	
21	18222	PLATFORM, OPERATOR	1	
22	492313	SCREW, HHC 3/8"-16 X 1-1/2"	1	
23	492406	SCREW, HHC 5/8"-11 X 1-1/2"	2	
24	492363	SCREW, HHC 5/16"-18 X 3/4"	3	
27	492553	NUT, HEX 5/16"-18	3	
28	18173	LATCH, PLATFORM	1	
29	810284	BLOCK AND FILTER SUPPORT	1.....	W/ HYDRO-GEAR ONLY
30	EM963610	CAPSCREW 3/8" NC X 1-1/4" G8	4.....	W/ HYDRO-GEAR ONLY
31	3019092	WASHER, FLAT 3/8"	6.....	W/ HYDRO-GEAR ONLY
32	513590	HEX. HEAD BOLT 3/8" NC X 5" G5.....	2.....	W/ HYDRO-GEAR ONLY
33	EM969013	NUT, NYLON.....	6.....	W/ HYDRO-GEAR ONLY

HANDLE/FOOT DUMP CONTROLS ASSY.

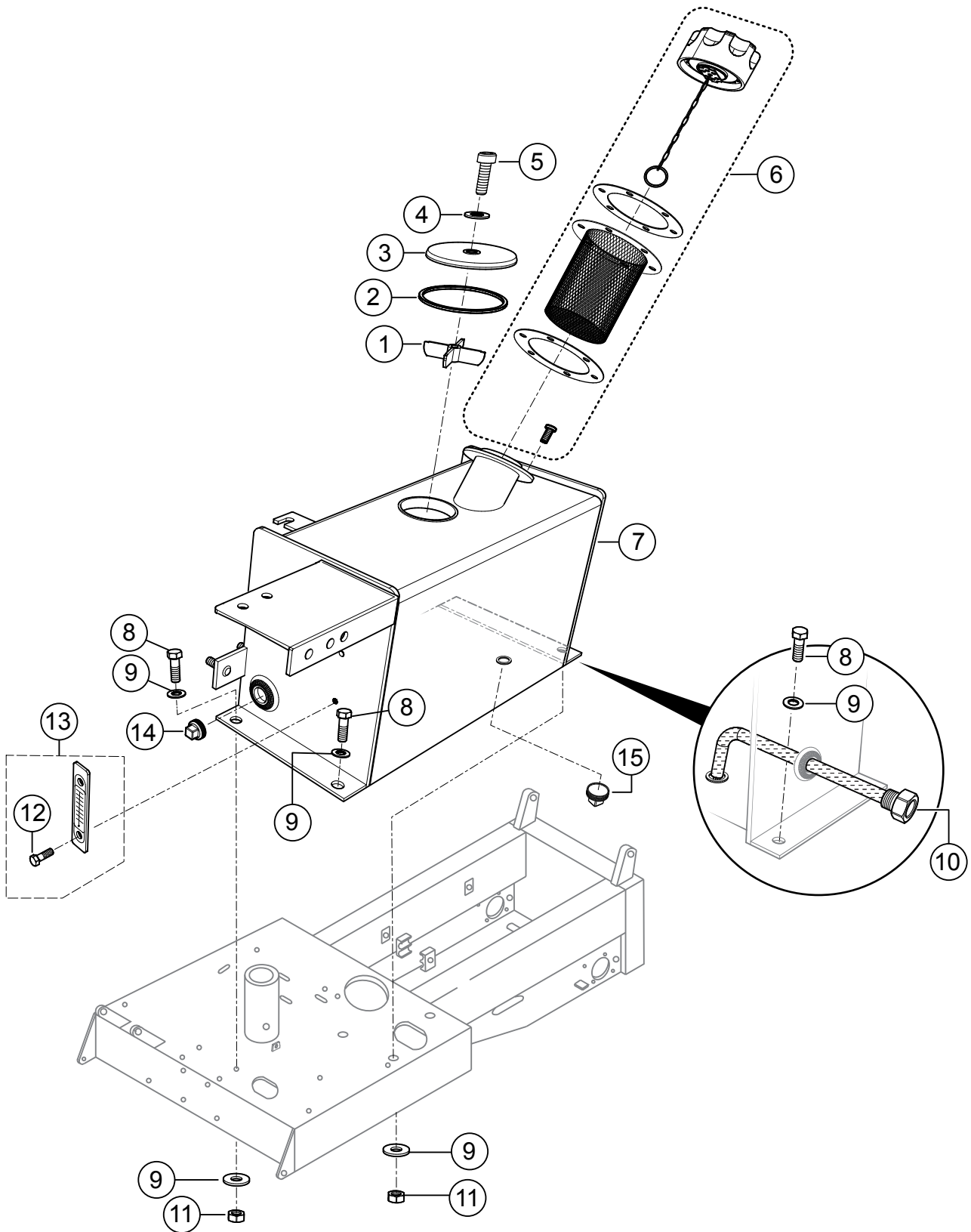


△ REFERENCE HYDRAULIC
DUMP ASSY.

HANDLE/FOOT DUMP CONTROLS ASSY.

<u>NO.</u>	<u>PART NO.</u>	<u>PART NAME</u>	<u>QTY.</u>	<u>REMARKS</u>
1	492401	SCREW, HHC 1/2"-13 X 4	1	
2	503119	NUT, NYLOC 3/16"	1	
3	18121	KNOB, LEVER	1	
4	18065	LEVER, DUMP VALVE	1	
5	512185	SCREW, HHC 1/4"-20 X 1-3/4"	2	
6	492622	WASHER, FLAT 1/4"	4	
7	512183	SCREW, HHC 3/16"-24 X 1-1/4"	1	
8	18064	VALVE, DUMP	1	INCLUDES ITEMS W/\$
8A	18064SK	SEAL KIT, DUMP VALVE	1	
9\$		PIN, DUMP VALVE CROSS.....	1	NOT SOLD SEPARATELY
10	492596	WASHER, FLAT 1/4"	1	
11	492581	NUT, NYLOC 1/4"-20	1	
12	492584	NUT, NYLOC 1/2"-13	2	
13	492600	WASHER, FLAT 1/2"	1	
14	18152	PEDAL, DUMP VALVE	1	
15	18123	CLEVIS, ASSY. DUMP VALVE	2	
16	492574	NUT, HEX 3/8"	2	
17	18153	ROD, DUMP VALVE	1	
18	492400	SCREW, HHC 1/2"-13 X 3-1/2"	1	
19	18122	BELL CRANK, DUMP VALVE	1	
20	512200	BUSHING, BRONZE	2	
21	803151	STOP, STEERING	1	
22	492467	SET SCREW, 5/16" X 3/8" NC	2	
23	503901	ZERK FITTING 1/4"-28	1	

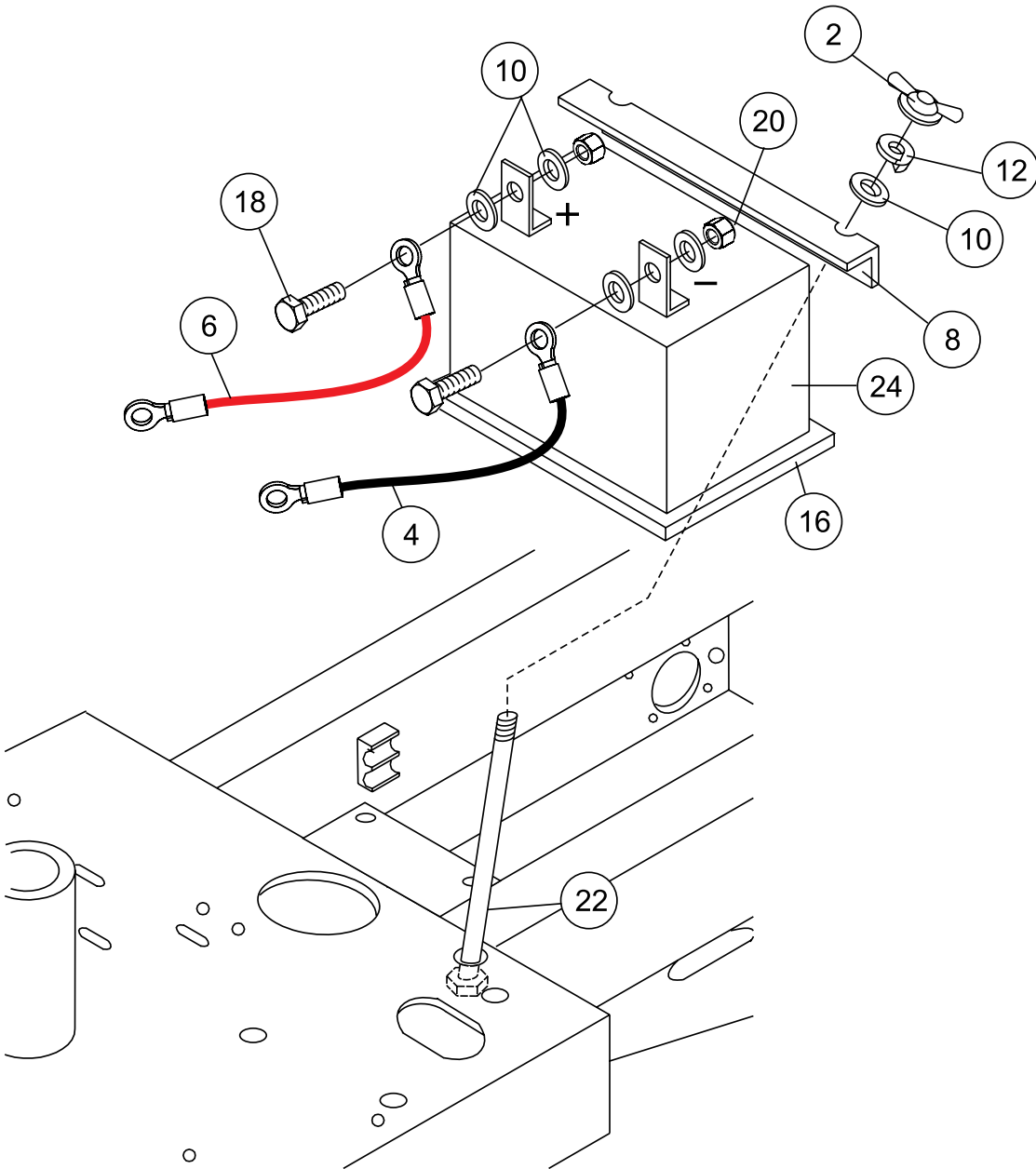
HYDRAULIC OIL TANK ASSY.



HYDRAULIC OIL TANK ASSY.

<u>NO.</u>	<u>PART NO.</u>	<u>PART NAME</u>	<u>QTY.</u>	<u>REMARKS</u>
1	520461	RETAINER	1	
2	801791	O-RING	1	
3	520460	COVER	1	
4	520343	O-RING	1	
5	510717	BOLT, 1/2" NC X 1-3/4"	1	
6	EM16477	CAP, HYDRAULIC OIL TANK	1	
7	18125	TANK, HYDRAULIC OIL	1	
8	492376	SCREW, HHC 3/8" X 1-1/4"	3	
9	492598	WASHER, FLAT 3/8"	6	
10	18229	SCREEN, OIL RESERVOIR	1	
11	492583	NUT, NYLOC 3/8"-16	3	
12%		SCREW,.....	2	NOT SOLD SEPARATELY
13	18052	SIGHT GAUGE, HYD. OIL TANK.....	1	INCLUDES ITEM W/%
14	491213	PLUG, HYD. OIL TANK 3/4"-14 NPT	1	
15	506094	PLUG, HYD. OIL TANK 1/2" NPT	1	

BATTERY ASSY.



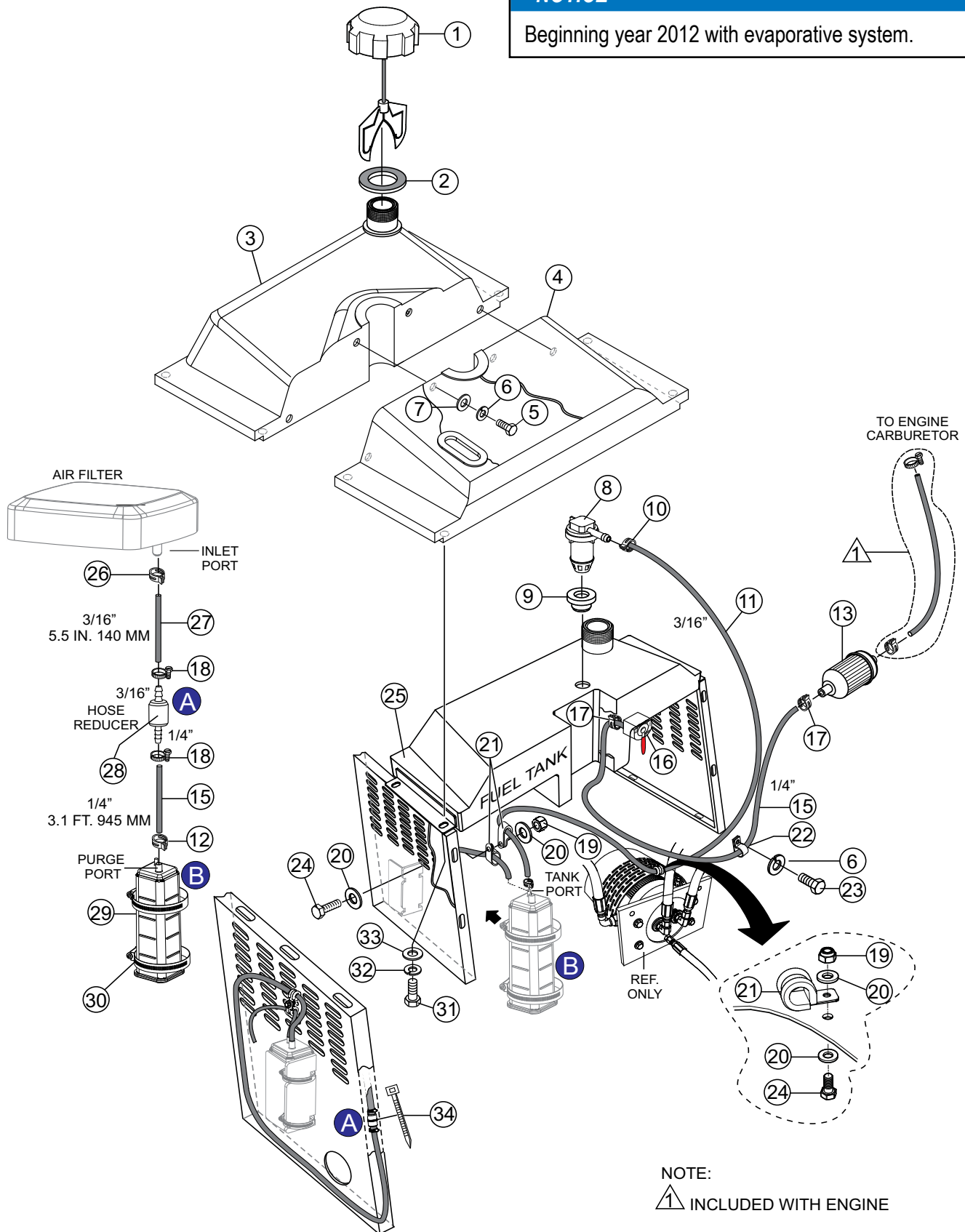
BATTERY ASSY.

<u>NO.</u>	<u>PART NO.</u>	<u>PART NAME</u>	<u>QTY.</u>	<u>REMARKS</u>
2	505500	WINGNUT	2	
4	512557	BATTERY CABLE, NEGATIVE	1	
6	511250	BATTERY CABLE, POSITIVE	1	
8	512555	BATTERY SUPPORT BRACKET	1	
10	EM923057	WASHER, FLAT 1/4".....	6.....	REPLACES P/N 492596
12	2101402	WASHER, LOCK 1/4"	2.....	REPLACES P/N 492622
16	508480	BATTERY SUPPORT PLATFORM	1	
18	492357	BOLT 3/16" X 1"	2	
20	503119	NUT 3/16"	2	
22	512585	SUPPORT BRACKET BOLT	2	
24	4671	BATTERY	1	

FUEL TANK ASSY. (STEEL)

NOTICE

Beginning year 2012 with evaporative system.



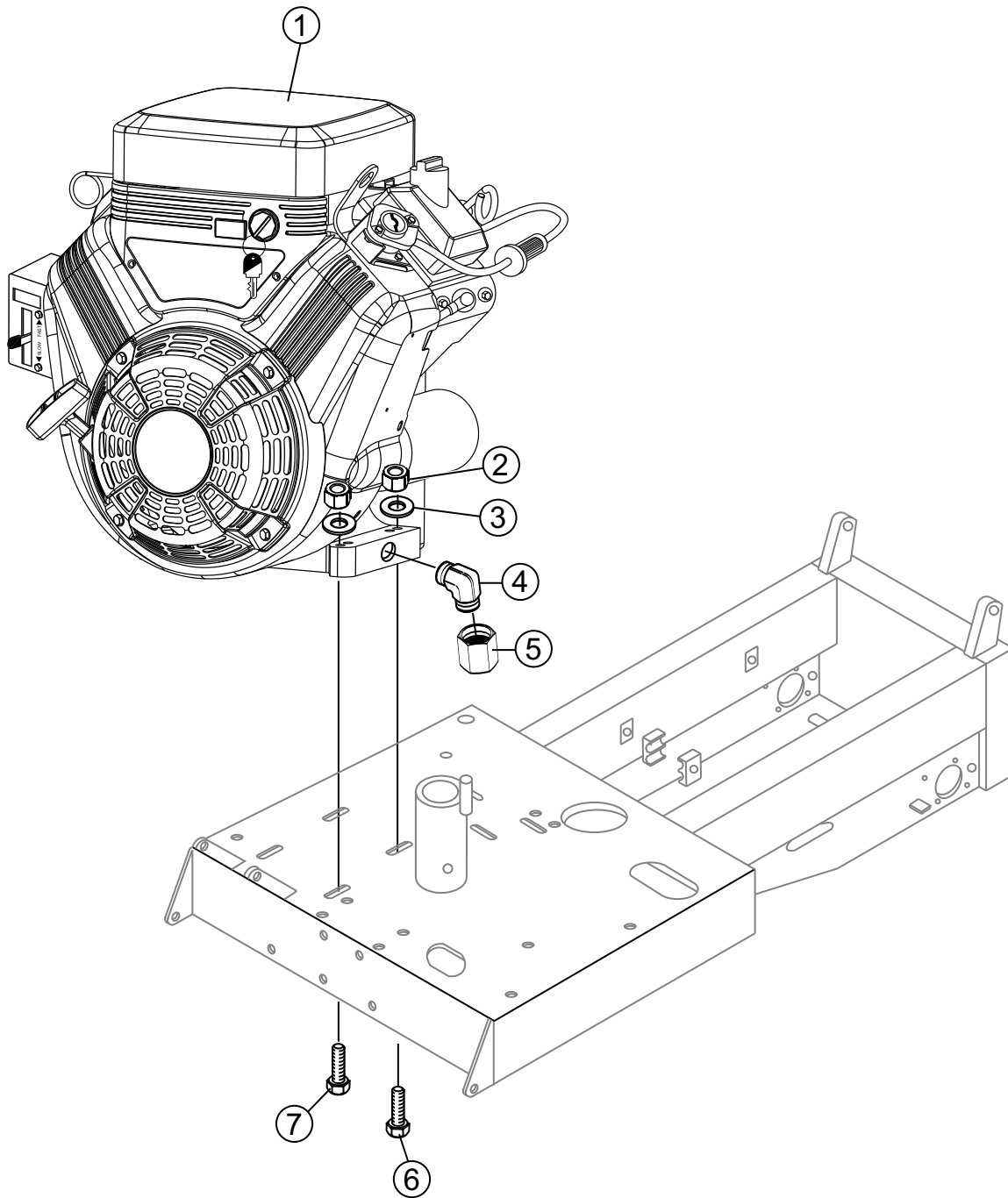
FUEL TANK ASSY. (STEEL)

<u>NO.</u>	<u>PART NO.</u>	<u>PART NAME</u>	<u>QTY.</u>	<u>REMARKS</u>
1	520820	CAP, FUEL (EPA) 2" DIA.	1	
2	802006	FUEL TANK NECK SEAL	1	
3	800845	COVER, FUEL TANK, FRONT, PLASTIC	1	
4	521392	COVER, FUEL TANK, REAR, PLASTIC	1	
5	492356	SCREW, 1/4" X 3/4" GRD 5	4	
6	492622	WASHER, LOCK 1/4"	4	
7	509161	WASHER, FLAT 5/16"	4	
8	EM202772	VENT VALVE, EPA	1	
9	EM203403	GROMMET, VENT VALVE	1	
10	802498	TENSION CLAMP	1	
11	60004	HOSE, FUEL, Ø.1875, LOW PERM 50PSI 41"	1	
12	802573	TENSION CLAMP	1	
13	845125	FILTER, IN-LINE FUEL	1	
15	520611	HOSE, FUEL, 1/4" EPA 3.1 FT. (.95 M)	4	1PC=1FT
16	22081	VALVE, FUEL SHUT-OFF	1	
17	802574	TENSION CLAMP	1	
18	506208	CLAMP, FUEL HOSE	3	
19	492581	NUT, NYLOC 1/4"	2	
20	492595	WASHER, FLAT 1/4"	2	
21	801130	CLAMP, RUBBER COATED	3	
22	511807	CLAMP, NYLON 5/8"	1	
23	492355	SCREW, 1/4" NC X 1/2" GRD 5	1	
24	800056	BOLT, HHCS 1/4" NC X 3/4" GRD 5	2	
25	800841	TANK, FUEL, STEEL	1	
26	802498	TENSION CLAMP	3	
27	520833	HOSE, AIR FILTER 3/16" X 5-1/2" (.14M), EPA.....	1	1PC=1FT
28	802405	REDUCER, HOSE 1/4" TO 3/16"	1	
29	23505	CANISTER, CHARCOAL, 390CC (EPA)	1	
30	510725	CLAMP	2	
31	492363	SCREW, 5/16" X 3/4" GRD 5	6	
32	EM923343	WASHER, LOCK 5/16"	8	REPLACES P/N 492623
33	EM923023	WASHER, FLAT 5/16"	8	REPLACES P/N 492597
34	491030	PLASTIC TIE WRAP	1	

FUEL TANK ASSY. (PLASTIC)

<u>NO.</u>	<u>PART NO.</u>	<u>PART NAME</u>	<u>QTY.</u>	<u>REMARKS</u>
1	EM923343	WASHER, LOCK 5/16"	4	
2	EM492299	SCREW, HHC 5/16"-18 X 1/2"	4	
3	EM923023	WASHER, FLAT 5/16"	4	
5	18166	CAP, FUEL 4" DIA.	1	
7	506208	CLAMP, FUEL HOSE	4	
9	19633	SEAL, FUEL TANK GROMMET	1	
10	20795	VALVE, FUEL SHUT-OFF	1	
11	512192	HOSE, FUEL	1	
12	EM20763	FILTER, FUEL	2	
13	512191	HOSE, FUEL	1	
14	511807	STRAP, NYLON 5/8"	1	
15	515386	COVER, FUEL TANK.....	1.....	REPLACES P/N 18103
16	18098	TANK, FUEL, PLASTIC	1	

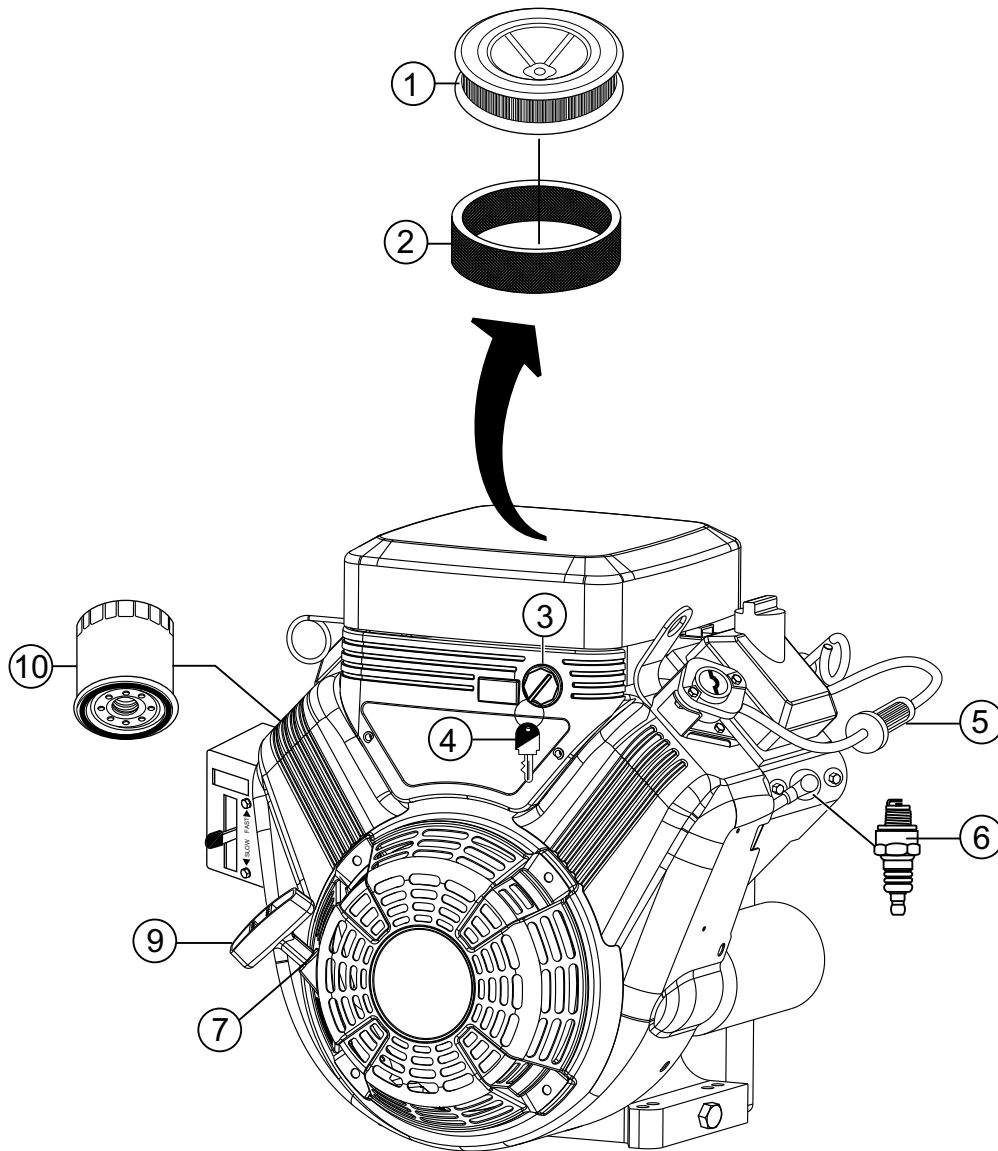
ENGINE MOUNTING ASSY.



ENGINE MOUNTING ASSY.

<u>NO.</u>	<u>PART NO.</u>	<u>PART NAME</u>	<u>QTY.</u>	<u>REMARKS</u>
1	521336	ENGINE, B&S 18HP VANGUARD	1	
2	492581	NUT, NYLOC 5/16"	4	
3	EM923023	WASHER, FLAT 3/8"	4.....	REPLACES P/N 505679
4	513593	90° FITTING	1	
5	513594	ADAPTER PLUG	1	
6	492368	SCREW, 5/16" NC X 2" GRD 5.....	1.....	GROUND CONNECTION
7	2105162	SCREW, 5/16" NC X 1-3/4" GRD 5	3.....	REPLACES P/N 492367

ENGINE SERVICE PARTS



ENGINE SERVICE PARTS

<u>NO.</u>	<u>PART NO.</u>	<u>PART NAME</u>	<u>QTY.</u>	<u>REMARKS</u>
1	394018S	AIR FILTER	1	
2	272490S	PRE-CLEANER	1	
3	692318	IGNITION SWITCH, W/KEY	1	
4	691959	IGNITION KEY SET	2	
5	845125	IN-LINE FUEL FILTER	1	
6	496018S	SPARK PLUG, CHAMPION	2	
7	66574	ROPE, STARTER	1	
9	808167	GRIP, STARTER	1	
10	842921	OIL FILTER	1	

PARTS MANUAL

HERE'S HOW TO GET HELP

PLEASE HAVE THE MODEL AND SERIAL
NUMBER ON-HAND WHEN CALLING

UNITED STATES

Multiquip Inc.

(310) 537- 3700
6141 Katella Avenue Suite 200
Cypress, CA 90630
E-MAIL: mq@multiquip.com
WEBSITE: www.multiquip.com

CANADA

Multiquip

(450) 625-2244
4110 Industriel Boul.
Laval, Quebec, Canada H7L 6V3
E-MAIL: infocanada@multiquip.com

UNITED KINGDOM

Multiquip (UK) Limited Head Office

0161 339 2223
Unit 2, Northpoint Industrial Estate, Globe Lane,
Dukinfield, Cheshire SK16 4UJ
E-MAIL: sales@multiquip.co.uk

© COPYRIGHT 2026, MULTIQUIP INC.

Multiquip Inc. and the MQ logo are registered trademarks of Multiquip Inc. and may not be used, reproduced, or altered without written permission. All other trademarks are the property of their respective owners and used with permission.

This manual MUST accompany the equipment at all times. This manual is considered a permanent part of the equipment and should remain with the unit if resold.

DISCLAIMER: Product features, descriptions, and specifications are based on published information at the time of publication and are subject to change at any time without notice. Multiquip Inc. and its affiliates reserve the right to change specifications, features, design, and descriptions of products at any time without notice.

