

PARTS MANUAL



MODEL WBH-21EF POWER BUGGY

(B&S VANGUARD 18 HP GASOLINE ELECTRIC START)

Revision #5 (10/06/23)

To find the latest revision of this
publication, visit our website at:
www.multiquip.com



THIS MANUAL MUST ACCOMPANY THE EQUIPMENT AT ALL TIMES.

TABLE OF CONTENTS

WBH-21EF Power Buggy

Explanation of Code in Remarks Column..... 4
Suggested Spare Parts 5

Component Drawings

Nameplate and Decals Assembly..... 6-7
Hydraulic Drive Assembly..... 8-9
Hydraulic Pump Assembly..... 10-11
Hydraulic Dump Assembly..... 12-13
Pump and Coupling Assembly..... 14-15
Tub Assembly 16-17
Panel Assembly 18-19
Brake Assembly..... 20-21
Steering and Controls Assembly 22-23
Chassis Assembly 24-25
Handle/Foot Dump Controls Assembly..... 26-27
Hydraulic Oil Tank Assembly 28-29
Battery Assembly..... 30-31
Fuel Tank Assembly..... 32-33
Engine Mounting Assembly 34-35
Engine Service Parts 36-37

NOTICE
Specifications and part numbers are subject to change without notice.

EXPLANATION OF CODE IN REMARKS COLUMN

The following section explains the different symbols and remarks used in the Parts section of this manual. Use the help numbers found on the back page of the manual if there are any questions.

NOTICE

The contents and part numbers listed in the parts section are subject to change without notice. Multiquip does not guarantee the availability of the parts listed.

SAMPLE PARTS LIST

NO.	PART NO.	PART NAME	QTY.	REMARKS
1	12345	BOLT	1	INCLUDES ITEMS W/%
2%		WASHER, 1/4 IN.		NOT SOLD SEPARATELY
2%	12347	WASHER, 3/8 IN. ...	1	MQ-45T ONLY
3	12348	HOSE	A/R	MAKE LOCALLY
4	12349	BEARING	1	S/N 2345B AND ABOVE

NO. Column

Unique Symbols — All items with same unique symbol (@, #, +, %, or >) in the number column belong to the same assembly or kit, which is indicated by a note in the “Remarks” column.

Duplicate Item Numbers — Duplicate numbers indicate multiple part numbers, which are in effect for the same general item, such as different size saw blade guards in use or a part that has been updated on newer versions of the same machine.

NOTICE

When ordering a part that has more than one item number listed, check the remarks column for help in determining the proper part to order.

PART NO. Column

Numbers Used — Part numbers can be indicated by a number, a blank entry, or TBD.

TBD (To Be Determined) is generally used to show a part that has not been assigned a formal part number at the time of publication.

A blank entry generally indicates that the item is not sold separately or is not sold by Multiquip. Other entries will be clarified in the “Remarks” Column.

QTY. Column

Numbers Used — Item quantity can be indicated by a number, a blank entry, or A/R.

A/R (As Required) is generally used for hoses or other parts that are sold in bulk and cut to length.

A blank entry generally indicates that the item is not sold separately. Other entries will be clarified in the “Remarks” Column.

REMARKS Column

Some of the most common notes found in the “Remarks” Column are listed below. Other additional notes needed to describe the item can also be shown.

Assembly/Kit — All items on the parts list with the same unique symbol will be included when this item is purchased.

Indicated by:

“INCLUDES ITEMS W/(unique symbol)”

Serial Number Break — Used to list an effective serial number range where a particular part is used.

Indicated by:

“S/N XXXXX AND BELOW”

“S/N XXXX AND ABOVE”

“S/N XXXX TO S/N XXX”

Specific Model Number Use — Indicates that the part is used only with the specific model number or model number variant listed. It can also be used to show a part is NOT used on a specific model or model number variant.

Indicated by:

“XXXXX ONLY”

“NOT USED ON XXXX”

“Make/Obtain Locally” — Indicates that the part can be purchased at any hardware shop or made out of available items. Examples include battery cables, shims, and certain washers and nuts.

“Not Sold Separately” — Indicates that an item cannot be purchased as a separate item and is either part of an assembly/kit that can be purchased, or is not available for sale through Multiquip.

SUGGESTED SPARE PARTS

WBH-21EF POWER BUGGY

1 to 3 units

Qty.	P/N	Description
1.....	508667.....	FILTER, HYDRAULIC OIL
1.....	EM16477.....	CAP, HYDRAULIC OIL TANK
1.....	18035.....	PUMP, HYDROSTATIC
1.....	18051.....	COUPLING, ENGINE SHAFT
2.....	512881.....	BRAKE BAND ASSY.
1.....	18145.....	ROD, BRAKE CONTROL
1.....	520820.....	CAP, FUEL (EPA)
5.....	845125.....	FILTER, IN-LINE FUEL
1.....	18131.....	SWITCH, KILL
1.....	18133.....	CABLE, THROTTLE
1.....	18132.....	LEVER, THROTTLE
1.....	18029F.....	WHEEL, DRIVE, FOAM
1.....	18049F.....	WHEEL, STEERING, FOAM
1.....	18016.....	CABLE, PARKING BRAKE

NOTICE

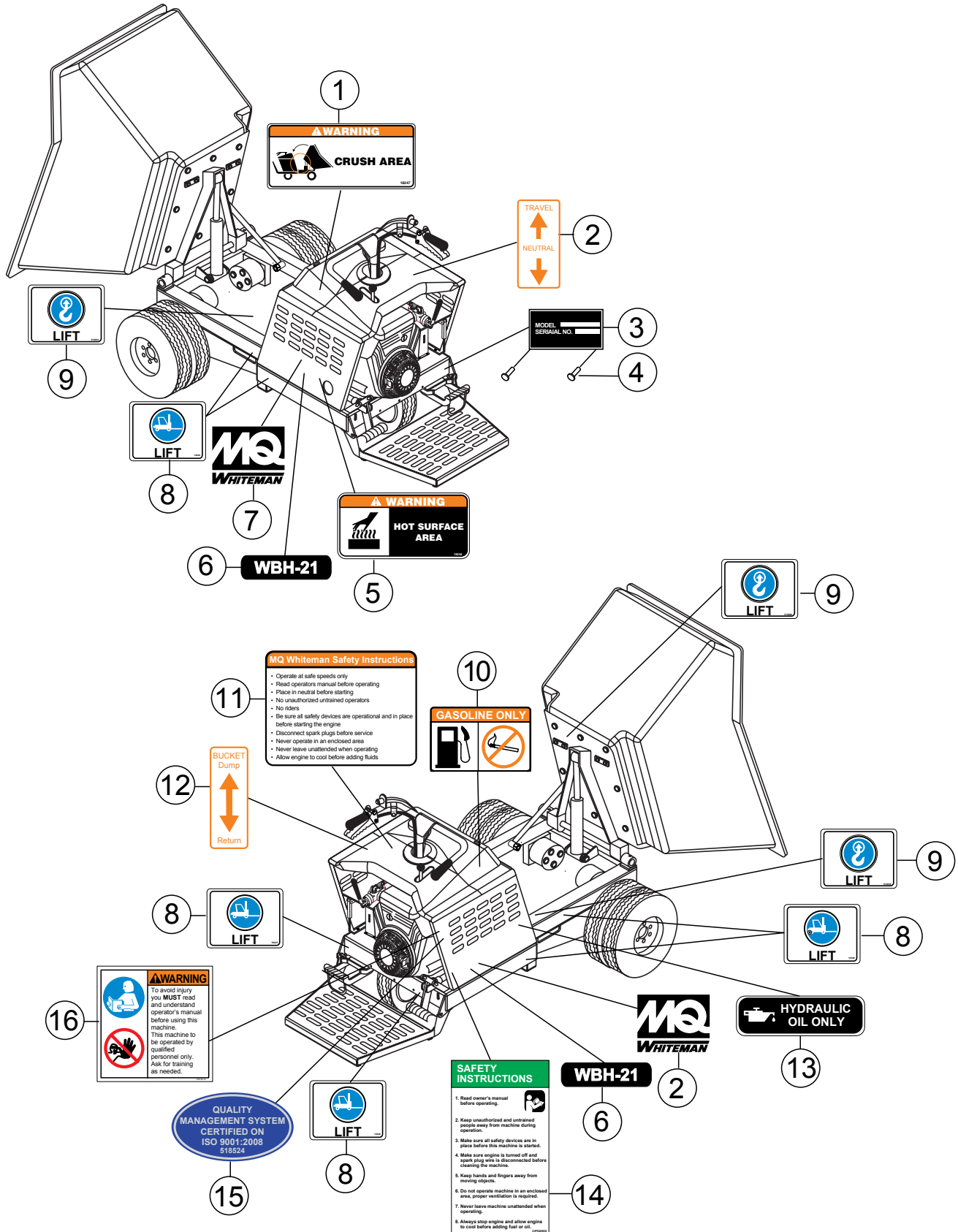
Part numbers on this Suggested Spare Parts list may supersede/replace the part numbers shown in the following parts lists.

B&S VANGUARD 18 HP GASOLINE ENGINE

1 to 3 units

Qty.	P/N	Description
3.....	496018S.....	SPARK PLUG
3.....	691959.....	KEY, IGNITION
3.....	808167.....	GRIP, STARTER
1.....	66574.....	ROPE, STARTER
3.....	394018S.....	AIR FILTER
3.....	272490S.....	PRE-CLEANER
3.....	842921.....	OIL FILTER
3.....	845125.....	IN-LINE FUEL FILTER

NAMEPLATE AND DECALS ASSY.

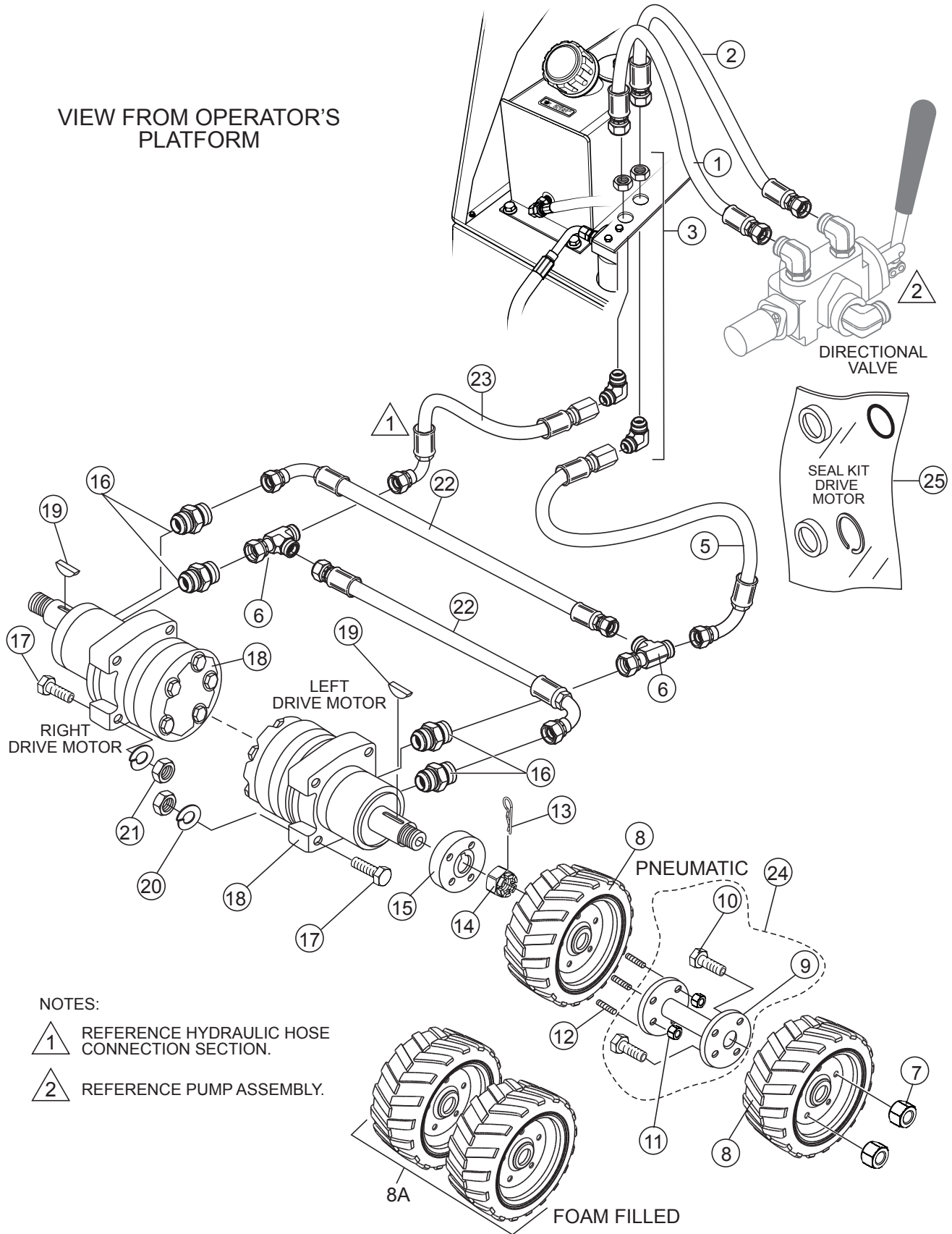


NAMEPLATE AND DECALS ASSY.

<u>NO.</u>	<u>PART NO.</u>	<u>PART NAME</u>	<u>QTY.</u>	<u>REMARKS</u>
1	18247	DECAL, CRUSH WARNING	1	
2		DECAL, TRAVEL LEVER DIRECTION.....	1.....	MOLDED INTO FUEL TANK COVER
3		PLATE, SERIAL NUMBER.....	1.....	CONTACT MQ PARTS DEPT.
4	491757	RIVET, I.D. PLATE	2	
5	18248	DECAL, HOT SURFACE WARNING	1	
6	804592	DECAL, WBH-21	2	
7	18252	DECAL, MQ WHITEMAN	2	
8	18245	DECAL, FORKLIFT LIFTING	6	
9	513608	DECAL, LIFTING HOOK	3	
10		DECAL, GASOLINE ONLY	1.....	MOLDED INTO FUEL TANK COVER
11		DECAL, WHITEMAN SAFETY INSTRUCTIONS.....	1.....	MOLDED INTO FUEL TANK COVER
12		DECAL, BUCKET DUMP LEVER	1.....	MOLDED INTO FUEL TANK COVER
13	EM985	DECAL, HYDRAULIC OIL	1	
14	520935	DECAL, SAFETY INSTRUCTIONS	1	
15	518524	DECAL, ISO 9001:2008	1	
16	35137	DECAL, READ MANUAL, ASK FOR TRAINING	1	

HYDRAULIC DRIVE ASSY.

VIEW FROM OPERATOR'S PLATFORM



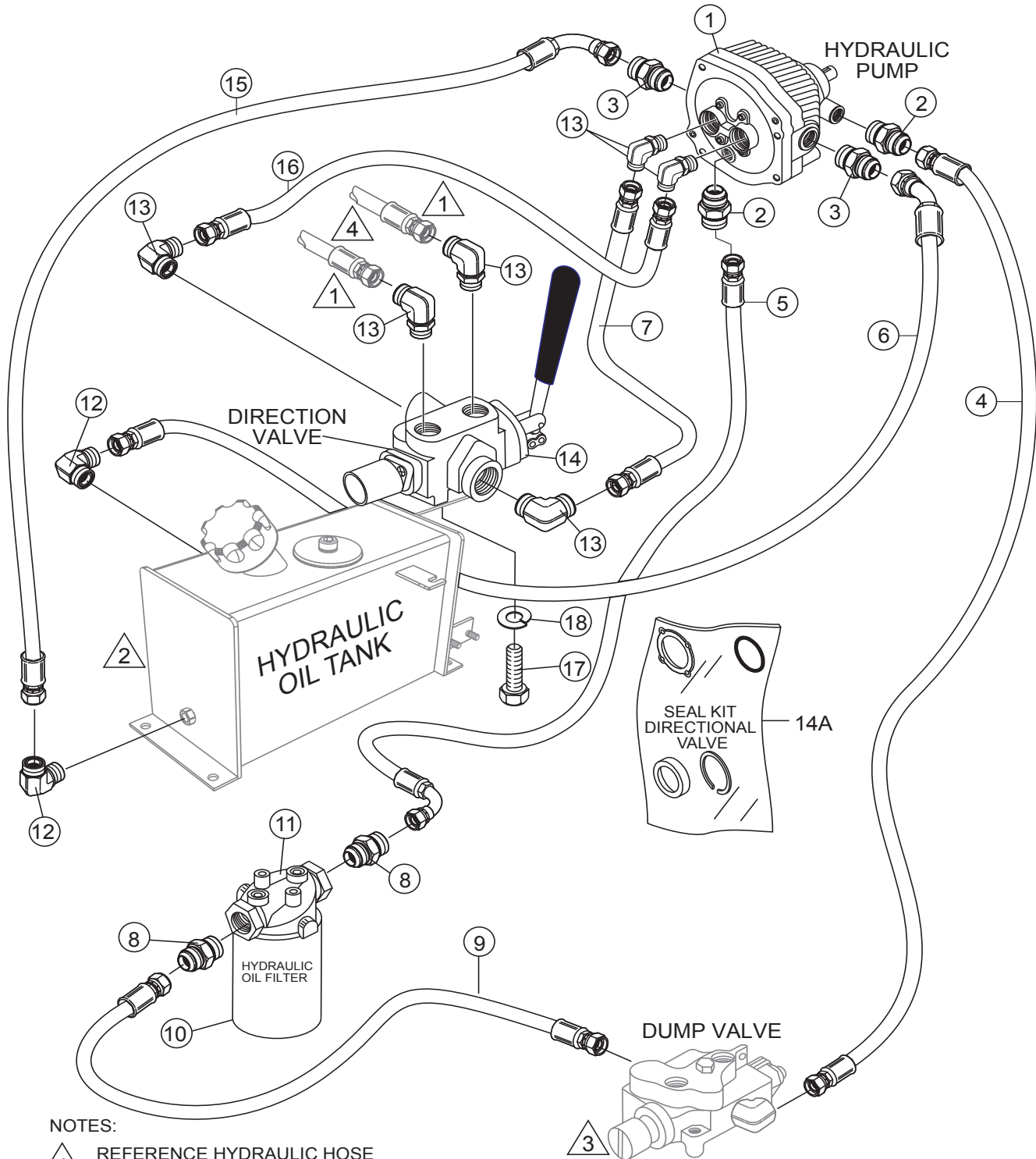
NOTES:

- 1 REFERENCE HYDRAULIC HOSE CONNECTION SECTION.
- 2 REFERENCE PUMP ASSEMBLY.

HYDRAULIC DRIVE ASSY.

<u>NO.</u>	<u>PART NO.</u>	<u>PART NAME</u>	<u>QTY.</u>	<u>REMARKS</u>
1	18265M	HOSE, DIRECTION VALVE.....	1.....	RIGHT-DRIVE MOTOR
2	18264M	HOSE, DIRECTION VALVE.....	1.....	LEFT-DRIVE MOTOR
3	511810	ADAPTER, ELBOW	2	
5	18276M	HOSE, LH HYDRAULIC MOTOR	1	
6	512189	ADAPTER, TEE CONNECTOR	2	
7	492527	NUT, HEX 1/2"-20	8	
8	18029	WHEEL, DRIVE ASSY. FRONT	4.....	PNEUMATIC TIRE
8A	18029F	WHEEL, DRIVE ASSY. FRONT	4.....	FOAM FILLED TIRE
9\$	511692	FLANGE, HUB	2	
10\$	18237	LUG BOLT/HUB FLANGE	8	
11	492584	NUT, HEX 1/2"-13 NYLON.....	8.....	REPLACES P/N 6109160
12	18190	SCREW, HUB STUD 1/2"-20 X 2-3/4"	8	
13	491689	KEY, COTTER 1/8" X 2	2	
14	PT018038	NUT, CASTLE 1-1/8"-18	2	
15	803281	HUB, DRIVE (INDEXED)	2	
16	3365	ADAPTER, STRAIGHT	5	
17	505718	SCREW, HHC 1/2"-13 X 2-3/4"	8	
18	18011	MOTOR, HYDRAULIC DRIVE	2	
19	3311	KEY, 7 MM X 8 MM X 1-1/4"	2.....	REPLACES P/N PE449105
20	6109180	WASHER, LOCK 1/2"	8	
21	6109160	NUT, HEX 1/2"-13	8	
22	18027	HOSE, DRIVER MOTOR CROSSOVER	2	
23	18275M	HOSE, RH HYDRAULIC MOTOR	1	
24	516528	FLANGE HUB ASSY.....	1.....	INCLUDES ITEMS W/\$
25	18011SK	SEAL KIT, DRIVE MOTOR	1	

HYDRAULIC PUMP ASSY.



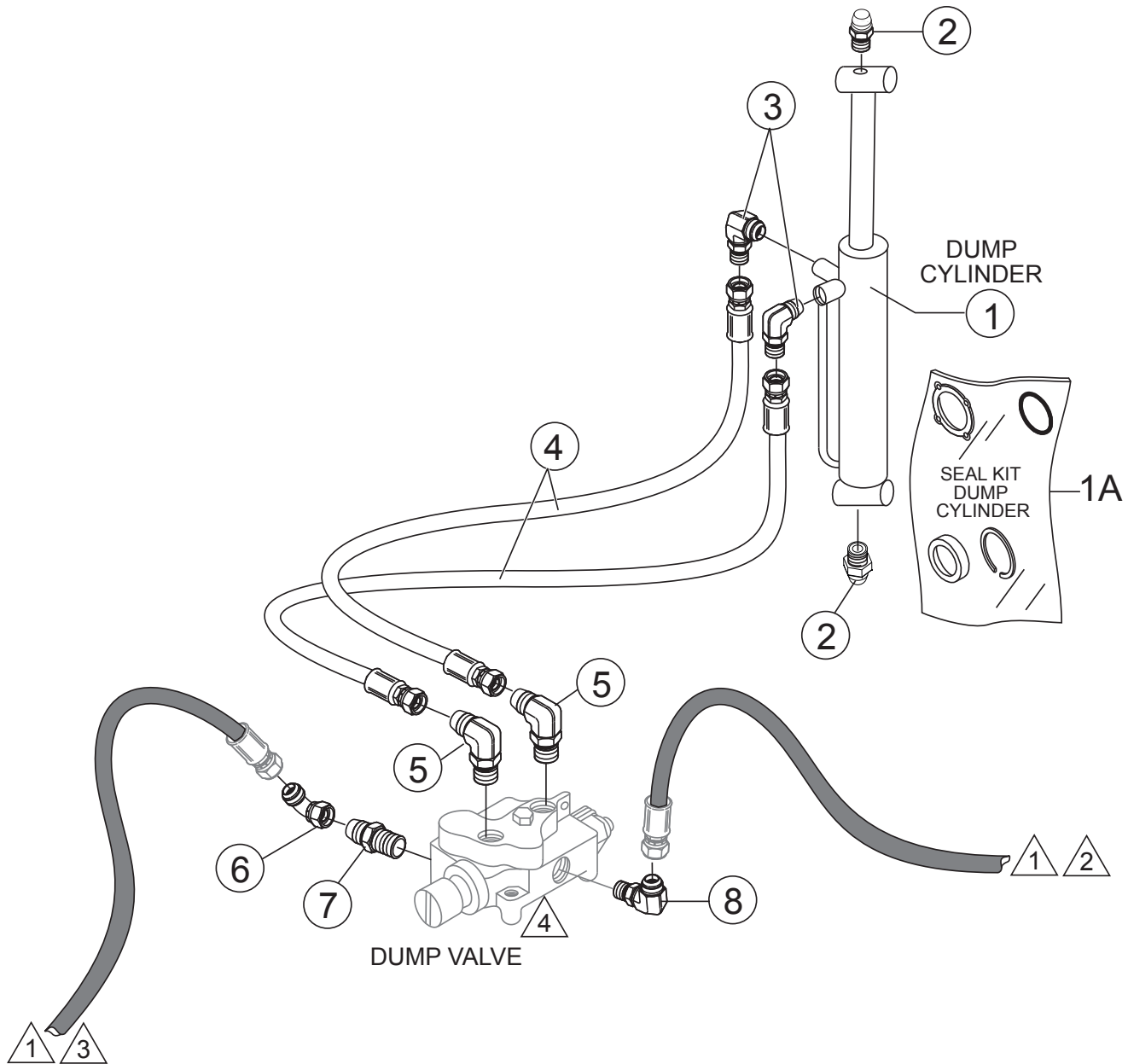
NOTES:

- 1** REFERENCE HYDRAULIC HOSE CONNECTION SECTION.
- 2** REFERENCE HYDRAULIC OIL TANK ASSEMBLY.
- 3** REFERENCE DUMP VALVE ASSEMBLY.
- 4** REFERENCE HYDRAULIC DRIVE ASSEMBLY ITEMS 1 AND 2 FOR HOSE PART NUMBERS

HYDRAULIC PUMP ASSY.

<u>NO.</u>	<u>PART NO.</u>	<u>PART NAME</u>	<u>QTY.</u>	<u>REMARKS</u>
1	18035	PUMP, HYDRAULIC	1	
2	511808	ADAPTER, STRAIGHT	2	
3	3365	ADAPTER, STRAIGHT	6	
4	18256M	HOSE, PUMP TO DUMP VALVE	1	
5	18258M	HOSE, FILTER TO PUMP	1	
6	18261M	HOSE, PUMP TO TANK	1	
7	18265M	HOSE, PUMP TO DIRECTION VALVE.....	1.....	REPLACES P/N 18263M
8	512190	ADAPTER, STRAIGHT	2	
9	18257M	HOSE, FILTER TO DUMP VALVE	1	
10	508667	FILTER, HYDRAULIC	1	
11	508664	HYDRAULIC FILTER HEAD	1	
12	511799	ADAPTER, ELBOW	2	
13	3322	ADAPTER, ELBOW	6	
14	18058	VALVE, DIRECTION CONTROL, TRAVEL	1	
14A	18058SK	SEAL KIT, DIRECTIONAL VALVE	1	
15	18262M	HOSE, TANK TO PUMP	1	
16	18266M	HOSE, PUMP TO DIRECTION VALVE	1	
17	EM963055	HEX HEAD CAP SCREW.....	2.....	REPLACES P/N 492373
18	0166 A	WASHER, LOCK 3/8".....	2.....	REPLACES P/N 492624

HYDRAULIC DUMP ASSY.



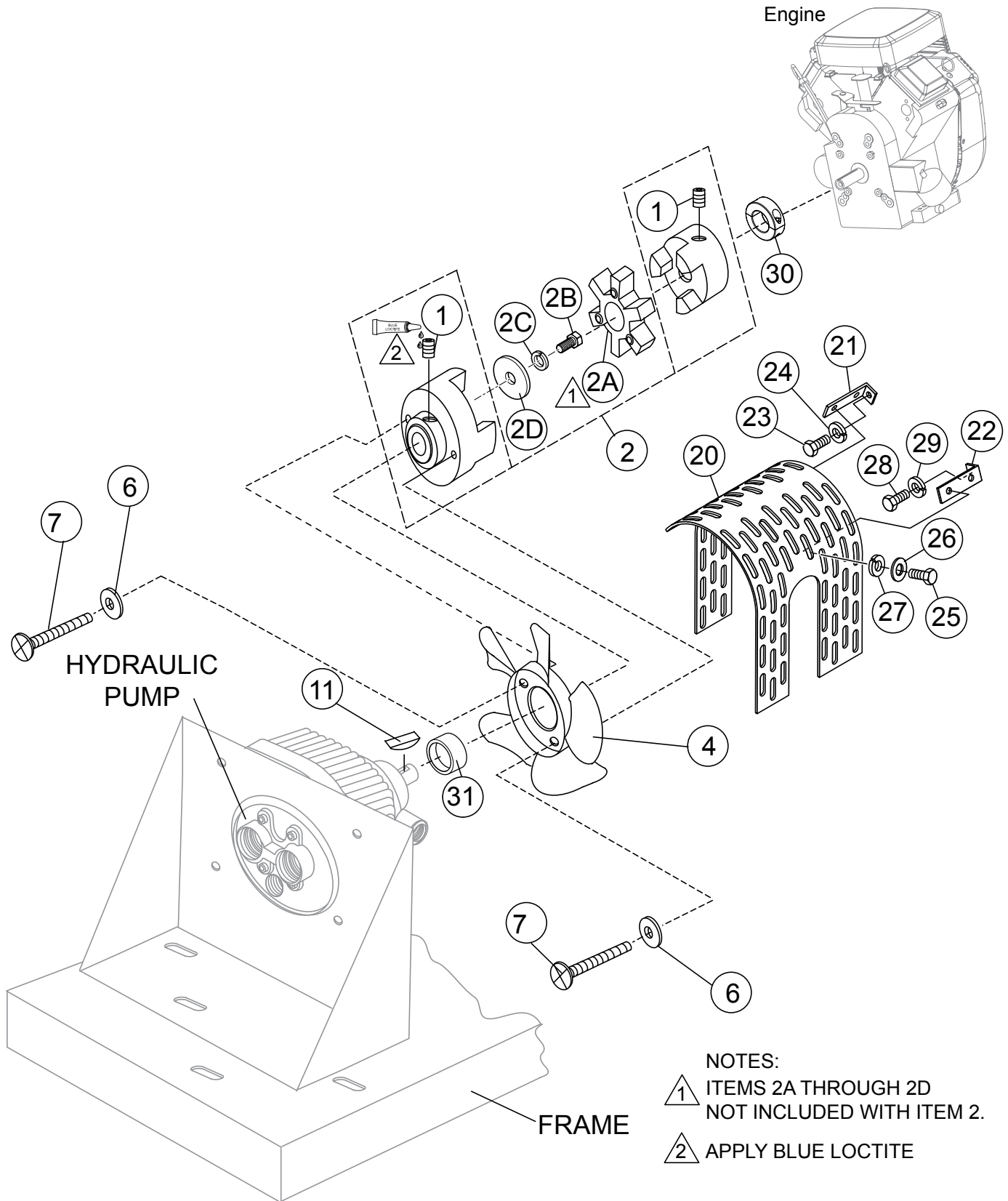
NOTES:

- △ 1 REFERENCE HYDRAULIC HOSE CONNECTION SECTION.
- △ 2 REFERENCE HYDRAULIC PUMP ASSEMBLY ITEM 4 FOR HOSE PART NUMBER.
- △ 3 REFERENCE HYDRAULIC PUMP ASSEMBLY ITEM 9 FOR HOSE PART NUMBER.
- △ 4 REFERENCE HANDLE/FOOT DUMP CONTROLS ASSEMBLY ITEM 8 FOR DUMP VALVE PART NUMBER.

HYDRAULIC DUMP ASSY.

<u>NO.</u>	<u>PART NO.</u>	<u>PART NAME</u>	<u>QTY.</u>	<u>REMARKS</u>
1	803747	CYLINDER, HYDRAULIC DUMP	1	
1A		SEAL KIT, DUMP CYLINDER.....	1.....	CONTACT MQ PARTS DEPT.
2	EM916019	ZERK FITTING	2.....	REPLACES P/N 491705
3	511803	ADAPTER, ELBOW	2	
4	18020	HOSE, DUMP VALVE TO HYD. PISTON	2	
5	511804	ADAPTER, ELBOW MALE	2	
6	512234	ADAPTER, ELBOW	1	
7	511806	ADAPTER, STRAIGHT	1	
8	506191	ADAPTER, ELBOW	1	

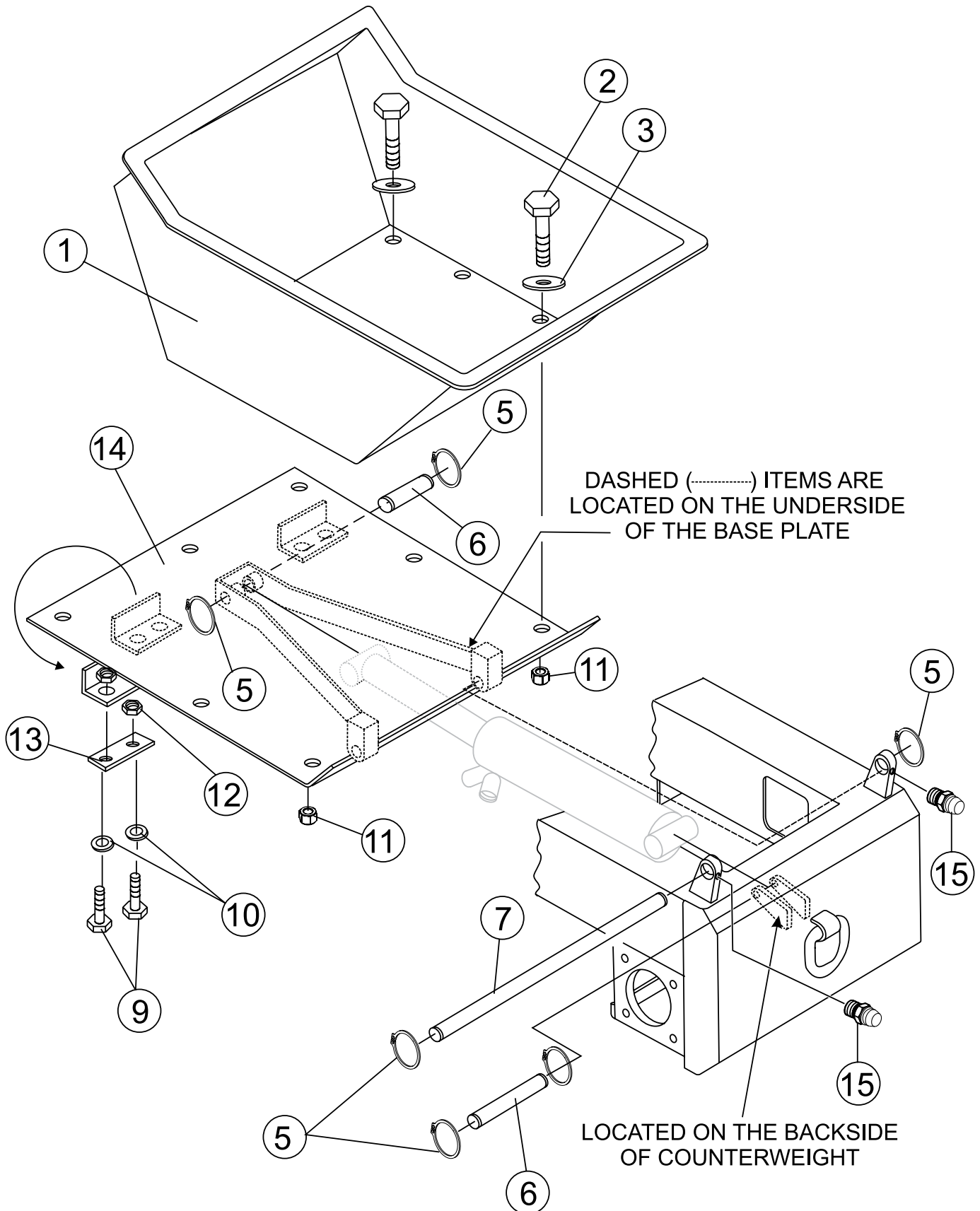
PUMP AND COUPLING ASSY.



PUMP AND COUPLING ASSY.

<u>NO.</u>	<u>PART NO.</u>	<u>PART NAME</u>	<u>QTY.</u>	<u>REMARKS</u>
1#	492472	SCREW, ALLEN HEAD 3/8"-16 X 3/4"	2	
2	18051	COUPLING, ENGINE SHAFT.....	1	INCLUDES ITEMS W/#
2A	18051RS	SPIDER, URETHANE	1	
2B	492356	SCREW, 1/4" X 3/4" GRD 5	1	
2C	2101402	WASHER, LOCK 1/4"	1	REPLACES P/N 492622
2D	EM923057	WASHER, FLAT 3/4"	1	REPLACES P/N 504451
4	18112	FAN	1	
6	EM923057	WASHER, FLAT 1/4"	2	REPLACES P/N 492596
7	1579	SCREW, HHC 1/4"-20 X 1/2"	2	REPLACES P/N 492355
11	506250	KEY, WOODRUFF	1	
20	512494	FAN GUARD	1	
21	512493	BRACKET, LONG	1	
22	513737	BRACKET, SHORT	1	
23	EM963055	SCREW, HEX HEAD CAP 3/8" NC X 3/4" GRD 5..	1	REPLACES P/N 492373
24	0166A	WASHER, LOCK 3/8"	1	REPLACES P/N 492624
25	512367	BOLT, C/H 3/16" NC X 1/2" GRD 2	4	
26	492595	WASHER, FLAT 3/16"	4	
27	3103160	WASHER, LOCK 3/16"	4	REPLACES P/N 492621
28	492438	BOLT, C/H 5/16" NF X 1" GRD 5	1	
29	EM923343	WASHER, LOCK 5/16"	1	REPLACES P/N 492623
30	802442	LOCK COLLAR	1	
31	803009	BUSHING, HYDRAULIC PUMP	1	

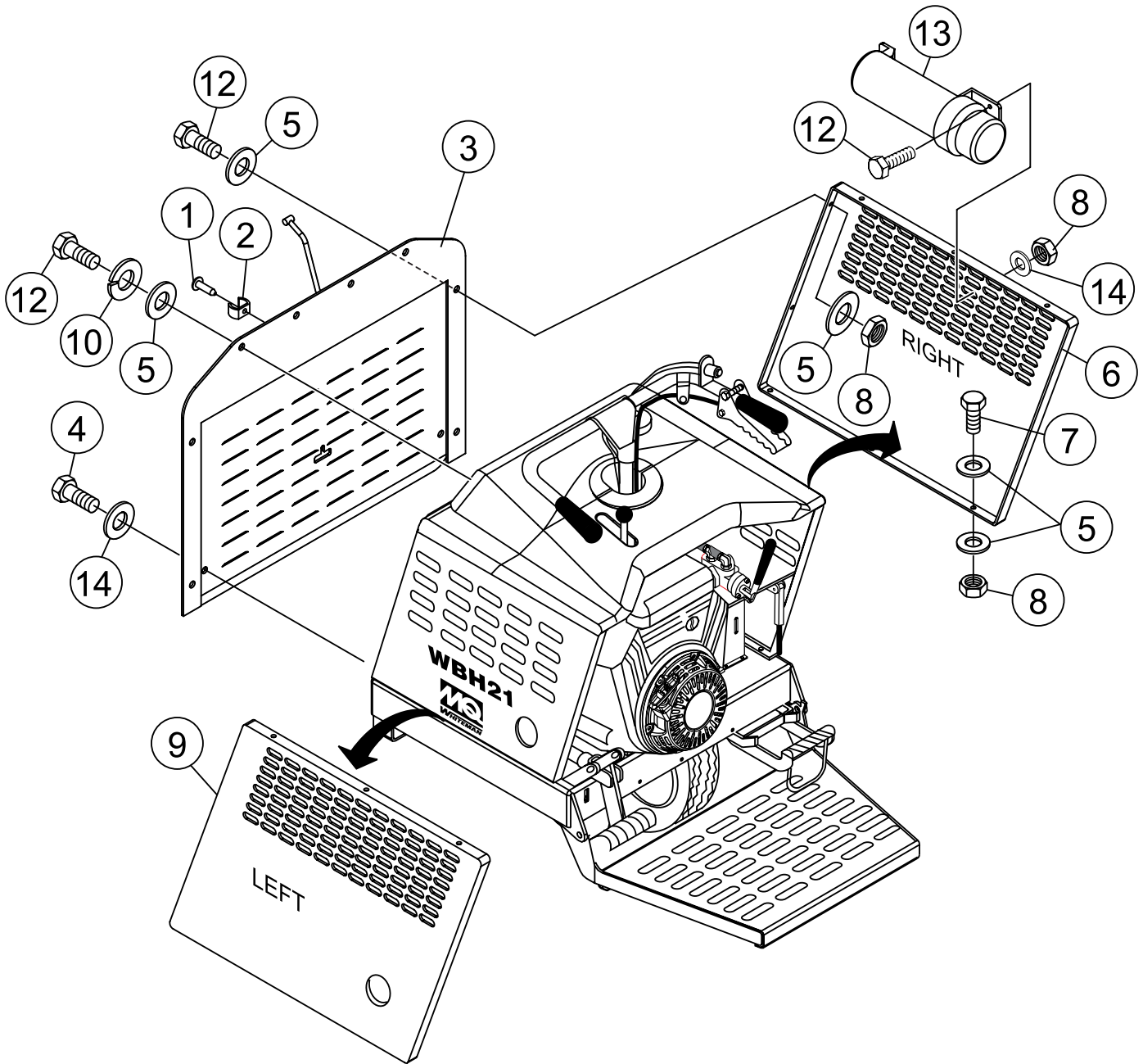
TUB ASSY.



TUB ASSY.

<u>NO.</u>	<u>PART NO.</u>	<u>PART NAME</u>	<u>QTY.</u>	<u>REMARKS</u>
1	804580	TUB, PLASTIC 21 CU. FT.	1	
2	EM963057	SCREW, HHC 3/8"-16 X 1-1/2".....	9.....	REPLACES P/N 492313
3	512193	WASHER, FLAT 3/8"	9	
5	490957	RING, SNAP	6	
6	18130	PIN, HYD. PISTON CROSS	2	
7	18129	PIN, TUB FRAME CROSS	1	
9	0202	SCREW, HHC 5/16"-18 X 1 ZINC.....	4.....	REPLACES P/N 492364
10	EM923023	WASHER, FLAT 9.5 X 22.2	8.....	REPLACES P/N 492597
11	EM969013	NUT, NYLOC 3/4"-16	9.....	REPLACES P/N 492583
12	2105164	NUT, NYLOC 5/16"-18	4.....	REPLACES P/N 492582
13	512279	SUPPORT, BUM STOP	2	
14	804586	FRAME, TUB MOUNT, 21 CU. FT.	1	
15	EM916019	GREASE FITTING	2.....	REPLACES P/N 491705

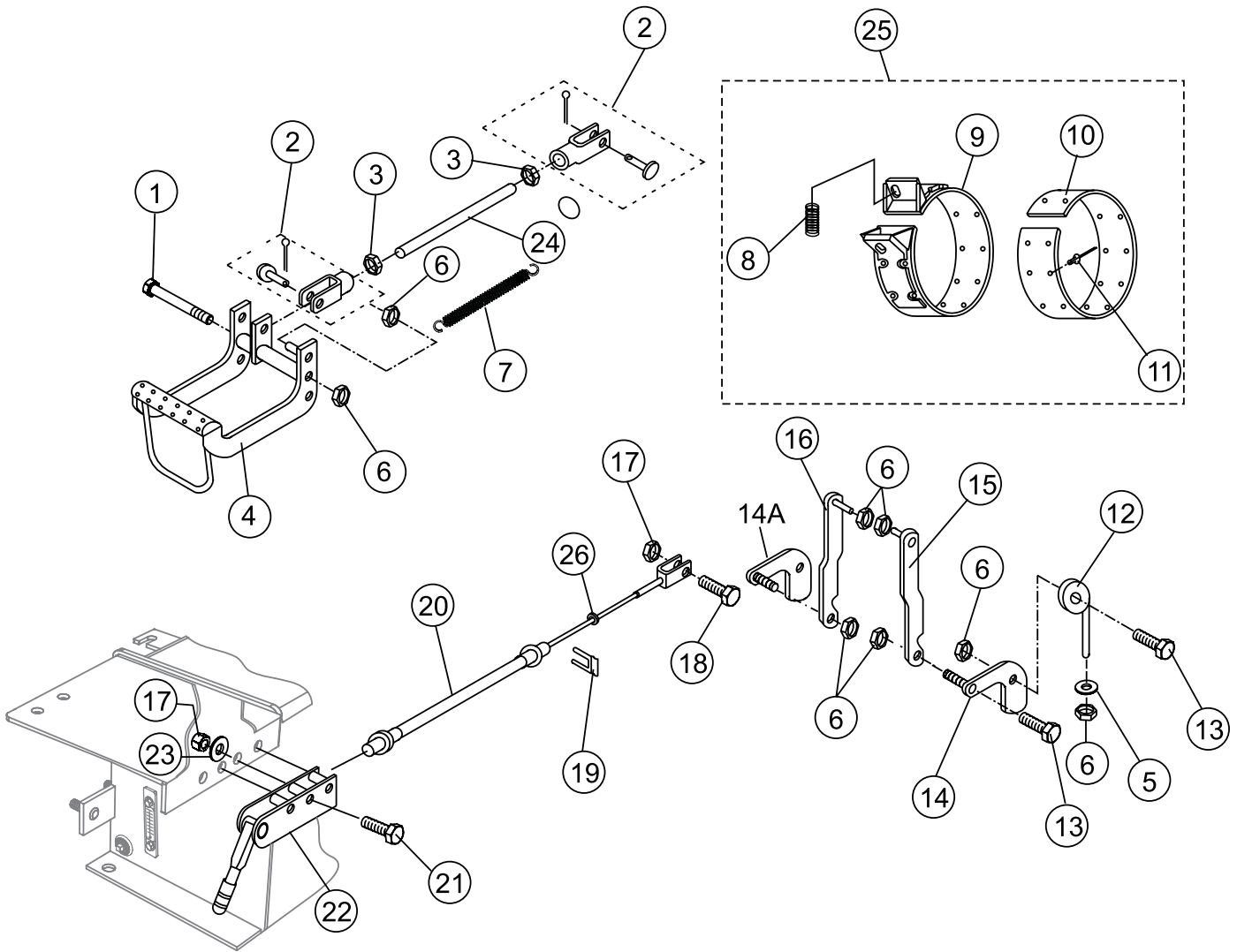
PANEL ASSY.



PANEL ASSY.

<u>NO.</u>	<u>PART NO.</u>	<u>PART NAME</u>	<u>QTY.</u>	<u>REMARKS</u>
1	503978	POP RIVET AM-56	1	
2	511474	FASTENER, ACCESS DOOR	1	
3	18008	DOOR, ACCESS	1	
4	1579	SCREW, 1/4" NC X 1/2" GRD 5.....	2.....	REPLACES P/N 492355
5	EM923023	WASHER, FLAT 3/8".....	32.....	REPLACES P/N 492597
6	18141	COVER, RIGHT/SIDE ENGINE	1	
7	0202	SCREW, HHC 5/16"-18 X 1".....	6.....	REPLACES P/N 492364
8	2105164	NUT, NYLOC 5/16"-18.....	9.....	REPLACES P/N 492582
9	521389	COVER, LEFT/SIDE ENGINE	1	
10	EM923343	WASHER, LOCK 5/16".....	4.....	REPLACES P/N 492623
12	492363	SCREW, HHC 5/16" NC X 3/4" GRD 5	6	
13	23297	MANUAL HOLDER	1	
14	EM923057	WASHER, 1/4".....	4.....	REPLACES P/N 492596

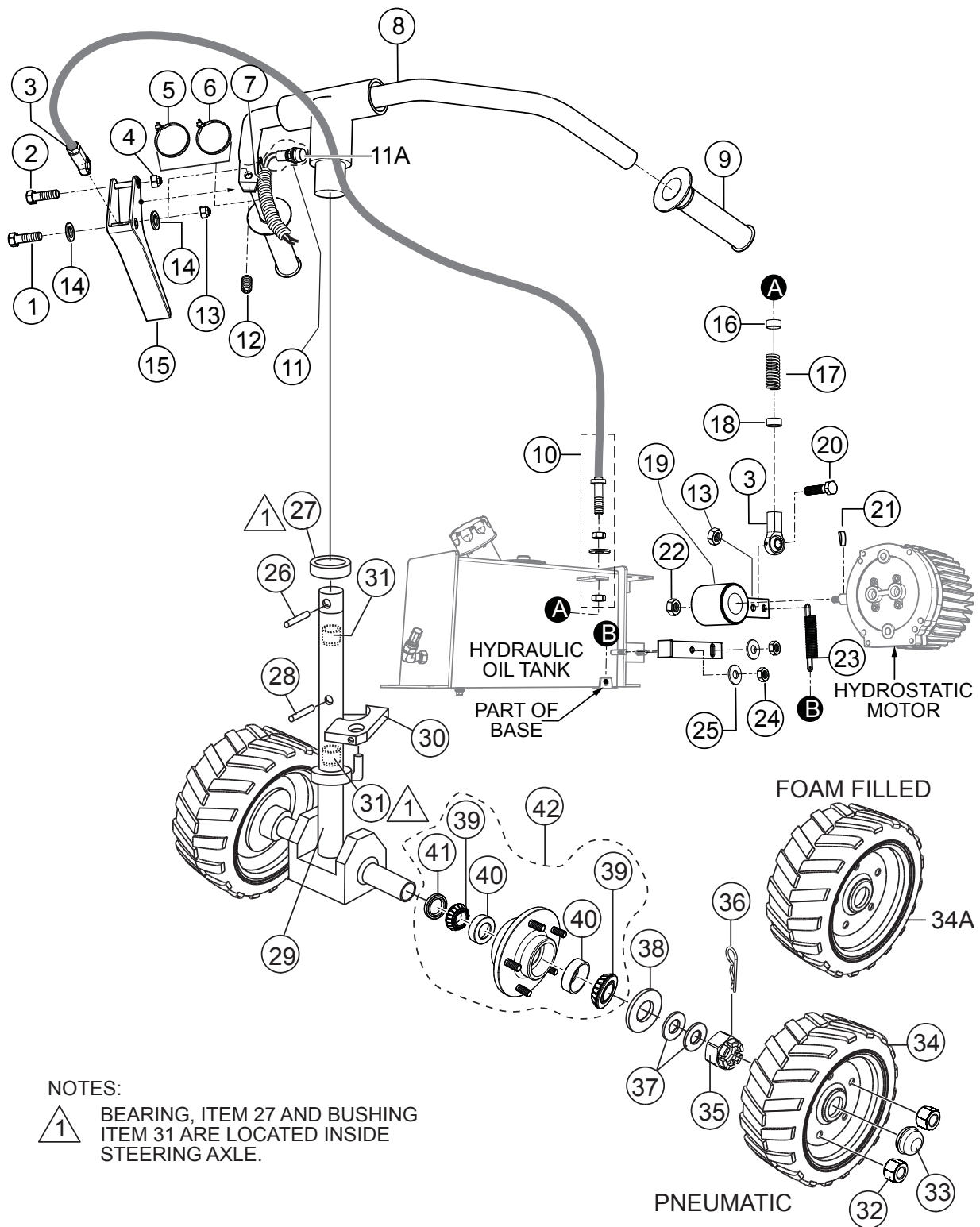
BRAKE ASSY.



BRAKE ASSY.

<u>NO.</u>	<u>PART NO.</u>	<u>PART NAME</u>	<u>QTY.</u>	<u>REMARKS</u>
1	511762	SCREW, HHC 1/2"-13 X 8"	1	
2	511698	CLEVIS, ASSY. BRAKE	2	
3	EM492574	NUT, HEX 3/8"-24	2.....	REPLACES P/N 492574
4	18111	PEDAL, BRAKE	1	
5	EM621	WASHER, FLAT 1/2".....	1.....	REPLACES P/N 621
6	492584	NUT, NYLOC 1/2"-13	10	
7	18167	SPRING, BRAKE PEDAL	1	
8\$	18307	SPRING, BRAKE	2	
9\$		BAND, BRAKE.....	2.....	NOT SOLD SEPARATELY
10\$		LINING, BRAKE.....	2.....	NOT SOLD SEPARATELY
11\$	512881	RIVET, BRAKE LINING.....	56.....	REPLACES P/N 503723
12	18303	SHAFT, CRANK PIN	2	
13	492395	SCREW, HHC 1/2"-13 X 1-3/4"	1	
14	512602	BRAKE LEVER, LEFT	1	
14A	512601	BRAKE LEVER, RIGHT	1	
15	18032	LINKAGE, RIGHT BRAKE	1	
16	18314	LINKAGE, LEFT BRAKE	1	
17	2105164	NUT, NYLOC 5/16"	3.....	REPLACES P/N 492582
18	492303	SCREW, HHC 5/16" NC X 1-1/4" GRD 5.....	1.....	REPLACES P/N 492365
19	505170	CLIP, PARK CABLE	1	
20	18016	CABLE, PARK BRAKE	1	
21	2105162	SCREW, HHC 5/16"-18 X 1-3/4".....	3.....	REPLACES P/N 492367
22	18057	LEVER, ASSY. PARK BRAKE	1	
23	EM923023	WASHER, FLAT 3/8".....	6.....	REPLACES P/N 492597
24	18145	ROD, BRAKE CONTROL	1	
25	512881	BRAKE BAND ASSY.....	2.....	INCLUDES ITEMS W/\$
26	6109170	WASHER, FLAT 1/2".....	2.....	REPLACES P/N 492600

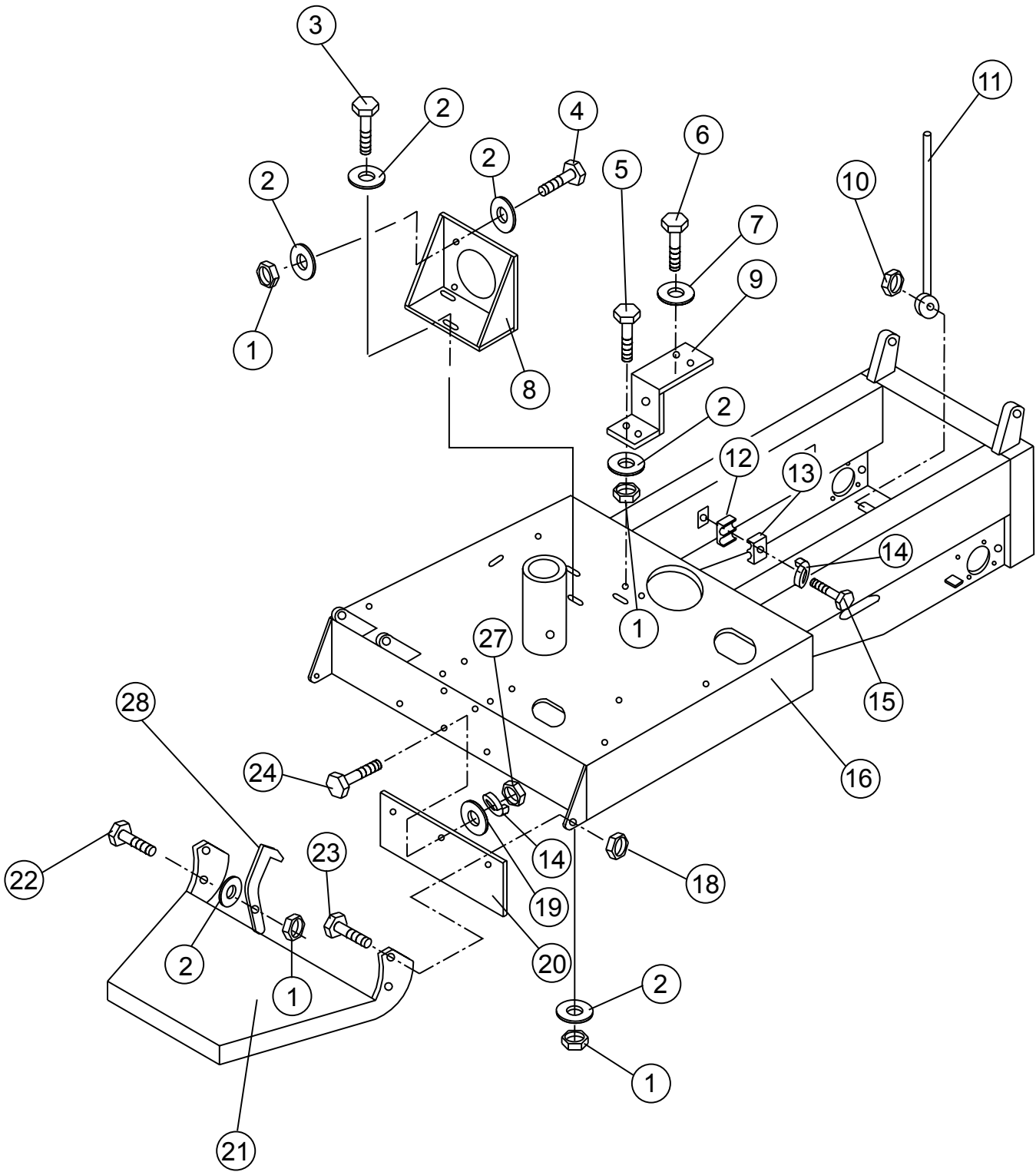
STEERING AND CONTROLS ASSY.



STEERING AND CONTROLS ASSY.

<u>NO.</u>	<u>PART NO.</u>	<u>PART NAME</u>	<u>QTY.</u>	<u>REMARKS</u>
1	2508	SCREW, HHC 1/4"-20 X 2-1/4".....	1.....	REPLACES P/N 512414
2	492369	SCREW, HHC 5/16"-18 X 2-1/4"	1	
3	18183	ROD-END, THROTTLE CABLE	2	
4	2105164	NUT, NYLOC 5/16"-18.....	1.....	REPLACES P/N 492582
5	EM504505	WRAP, TIE 4.6 X 360 MM.....	1.....	REPLACES PN 504505
6	491030	WRAP, TIE 2.5 X 142 MM	2	
7	505304	COVER, WIRE (LOOM)	1	
8	18242	HANDLE BAR	1	
9	15081	GRIP, HANDLE BAR	2	
10	18133	CABLE, THROTTLE	1	
11	515417	SWITCH HARNESS ASSY.	1	
11A	18131	SWITCH, KILL.....	1.....	REPLACES P/N 18025
12	513489	SCREW, ALLEN HEAD 1/4"-20 X 3/8"	1.....	REPLACES P/N 492465
13	492581	NUT, NYLOC 1/4"-20	2	
14	509161	WASHER, FLAT 5/16"	2	
15	18132	LEVER, THROTTLE	1	
16	18182	BUSHING, CABLE	1	
17	18176	SPRING	1	
18	18181	BUSHING, CABLE	1	
19	18061	LEVER, CONTROL	1	
20	492357	SCREW, HHC 1/4"-20 X 1	1	
21	511717	KEY, WOODRUFF 1/8" X 5/8"	1	
22	492584	NUT, NYLOC 1/2"-13	1	
23	18177	SPRING	1	
24	EM969013	NUT, NYLOC 3/8"	2.....	REPLACES P/N 492583
25	3019092	WASHER, FLAT 3/8".....	2.....	REPLACES P/N 492598
26	491723	PIN, STEERING SHAFT	1	
27	18238	BEARING, STEERING SHAFT	1	
28	512186	PIN, STEERING SHAFT	1	
29	513360	AXLE, STEERING	1	
30	803151	STOP, STEERING	1	
31	512200	BUSHING, BRONZE	2	
32	8115	NUT LUG	8	
33	3469	CAP, DUST	2	
34	18049	WHEEL, STEERING ASSY. REAR.....	2.....	PNEUMATIC TIRE
34A	18049F	WHEEL, STEERING ASSY. REAR.....	2.....	FOAM FILLED TIRE
35	512210	NUT, CASTLE	2	
36	EM924008	PIN, COTTER 1/8" X 1-1/2"	2.....	REPLACES P/N 491688
37	EM501299	WASHER, REAR WHEEL HUB	4	
38	511159	WASHER, FLAT 1"	2	
39#	EM903113	BEARING CONE	4	
40#	EM903012	BEARING CUP	4	
41#	EM914288	SEAL	2	
42	EM941306	HUB, REAR WHEEL.....	2.....	INCLUDES ITEMS W/#

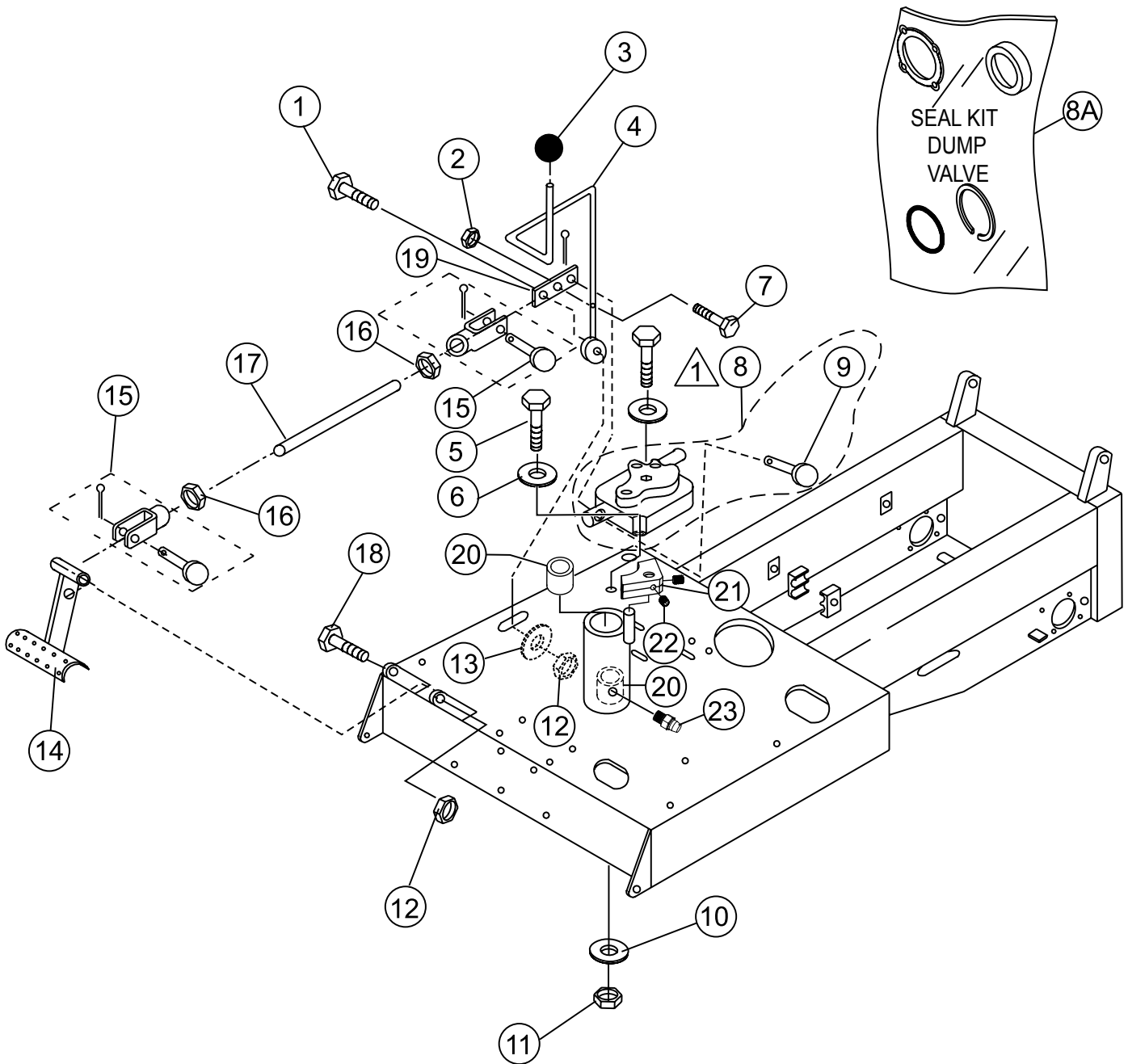
CHASSIS ASSY.



CHASSIS ASSY.

<u>NO.</u>	<u>PART NO.</u>	<u>PART NAME</u>	<u>QTY.</u>	<u>REMARKS</u>
1	EM969013	NUT, NYLOC 3/8"	10.....	REPLACES P/N 492583
2	3019092	WASHER, FLAT 3/8"	18.....	REPLACES P/N 492598
3	EM963057	SCREW, HHC 3/8"-16 X 1-1/2".....	3.....	REPLACES P/N 492313
4	503112	SCREW, HHC 3/8"-16 X 2-3/4"	4	
5	EM963610	SCREW, HHC 3/8" X 1-1/4" GRD 8.....	2.....	REPLACES P/N 492375
6	492356	SCREW, HHC 1/4" NC X 3/4" GRD 5	2	
7	2101402	WASHER, LOCK 1/4"	2.....	REPLACES P/N 492622
8	512196	BRACKET, HYD. PUMP MOUNTING	1	
9	18146	MOUNT, OIL FILTER	1	
10	505069	NUT, NYLOC 3/4"-10	1	
11	18198	ROD, TUB PROP	1	
12	505976	CLAMP, BRACKET	2	
13	506185	CLAMP, BRACKET	2	
14	EM923343	WASHER, LOCK 5/16"	5.....	REPLACES P/N 492623
15	492366	SCREW, HHC 5/16"-18 X 1-1/2"	2	
16	18047	CHASSIS	1	
18	EM969023	NUT, NYLOC 5/8"-11	2.....	REPLACES P/N 492586
19	492597	WASHER, FLAT 9.5 X 22.2	3	
20	18162	PANEL, REAR WHEEL COVER	1	
21	18222	PLATFORM, OPERATOR	1	
22	EM963057	SCREW, HHC 3/8"-16 X 1-1/2".....	1.....	REPLACES P/N 492313
23	492406	SCREW, HHC 5/8"-11 X 1-1/2"	2	
24	492363	SCREW, HHC 5/16"-18 X 3/4"	3	
27	2105164	NUT, HEX 5/16"-18	3.....	REPLACES P/N 492553
28	18173	LATCH, PLATFORM	1	

HANDLE/FOOT DUMP CONTROLS ASSY.

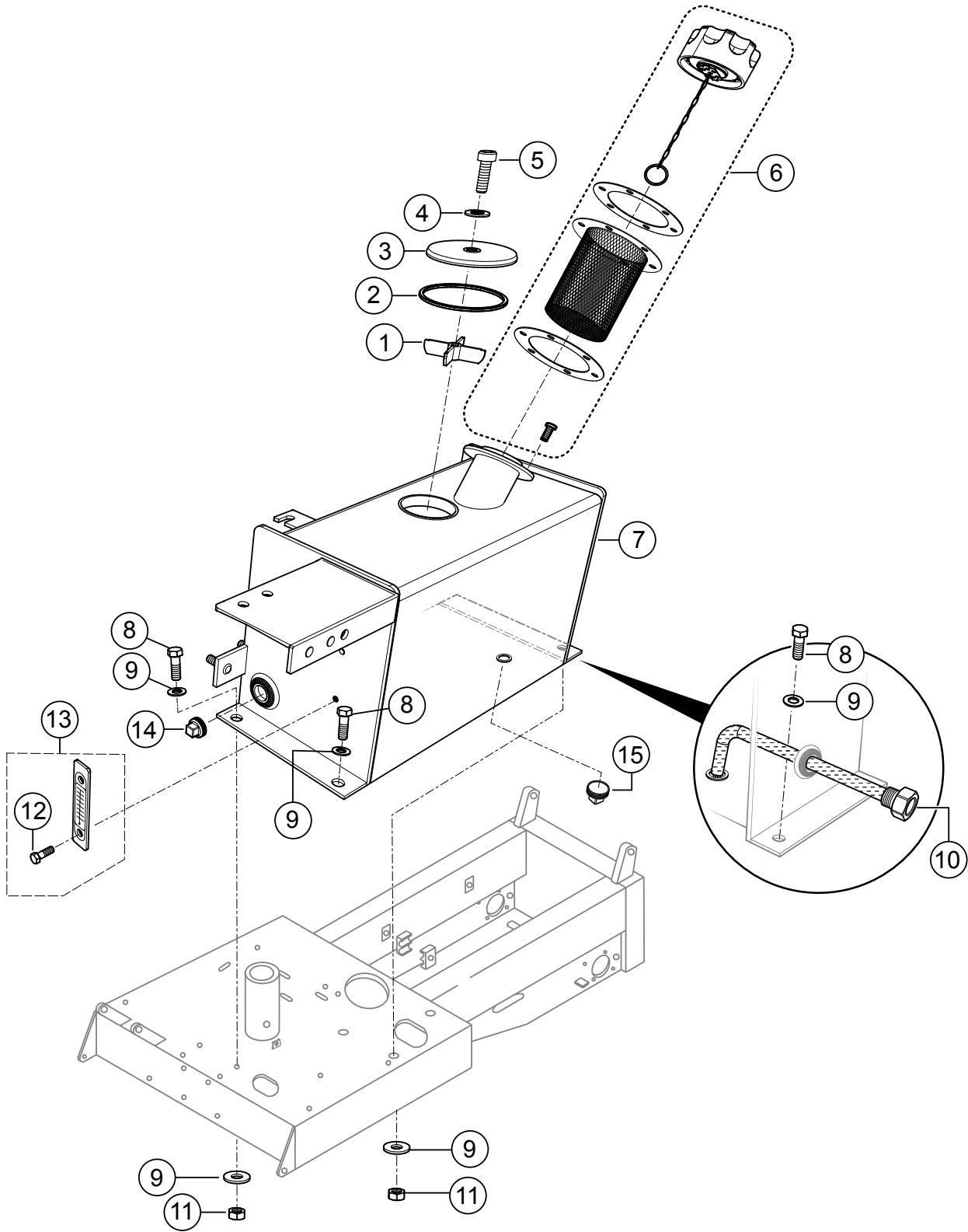


△ 1 REFERENCE HYDRAULIC
DUMP ASSY.

HANDLE/FOOT DUMP CONTROLS ASSY.

<u>NO.</u>	<u>PART NO.</u>	<u>PART NAME</u>	<u>QTY.</u>	<u>REMARKS</u>
1	492401	SCREW, HHC 1/2"-13 X 4	1	
2	503119	NUT, NYLOC 3/16"	1	
3	18121	KNOB, LEVER	1	
4	18065	LEVER, DUMP VALVE	1	
5	512185	SCREW, HHC 1/4"-20 X 1-3/4"	2	
6	492622	WASHER, FLAT 1/4"	4	
7	512183	SCREW, HHC 3/16"-24 X 1-1/4"	1	
8	18064	VALVE, DUMP	1	INCLUDES ITEMS W/\$
8A	18064SK	SEAL KIT, DUMP VALVE	1	
9\$		PIN, DUMP VALVE CROSS.....	1	NOT SOLD SEPARATELY
10	492596	WASHER, FLAT 1/4"	1	
11	492581	NUT, NYLOC 1/4"-20	1	
12	492584	NUT, NYLOC 1/2"-13	2	
13	492600	WASHER, FLAT 1/2"	1	
14	18152	PEDAL, DUMP VALVE	1	
15	18123	CLEVIS ASSY., DUMP VALVE	2	
16	492574	NUT, HEX 3/8"	2	
17	18153	ROD, DUMP VALVE	1	
18	492400	SCREW, HHC 1/2"-13 X 3-1/2"	1	
19	18122	BELL CRANK, DUMP VALVE	1	
20	512200	BUSHING, BRONZE	2	
21	803151	STOP, STEERING	1	
22	492467	SET SCREW, 5/16" X 3/8" NC	2	
23	503901	ZERK FITTING 1/4"-28	1	

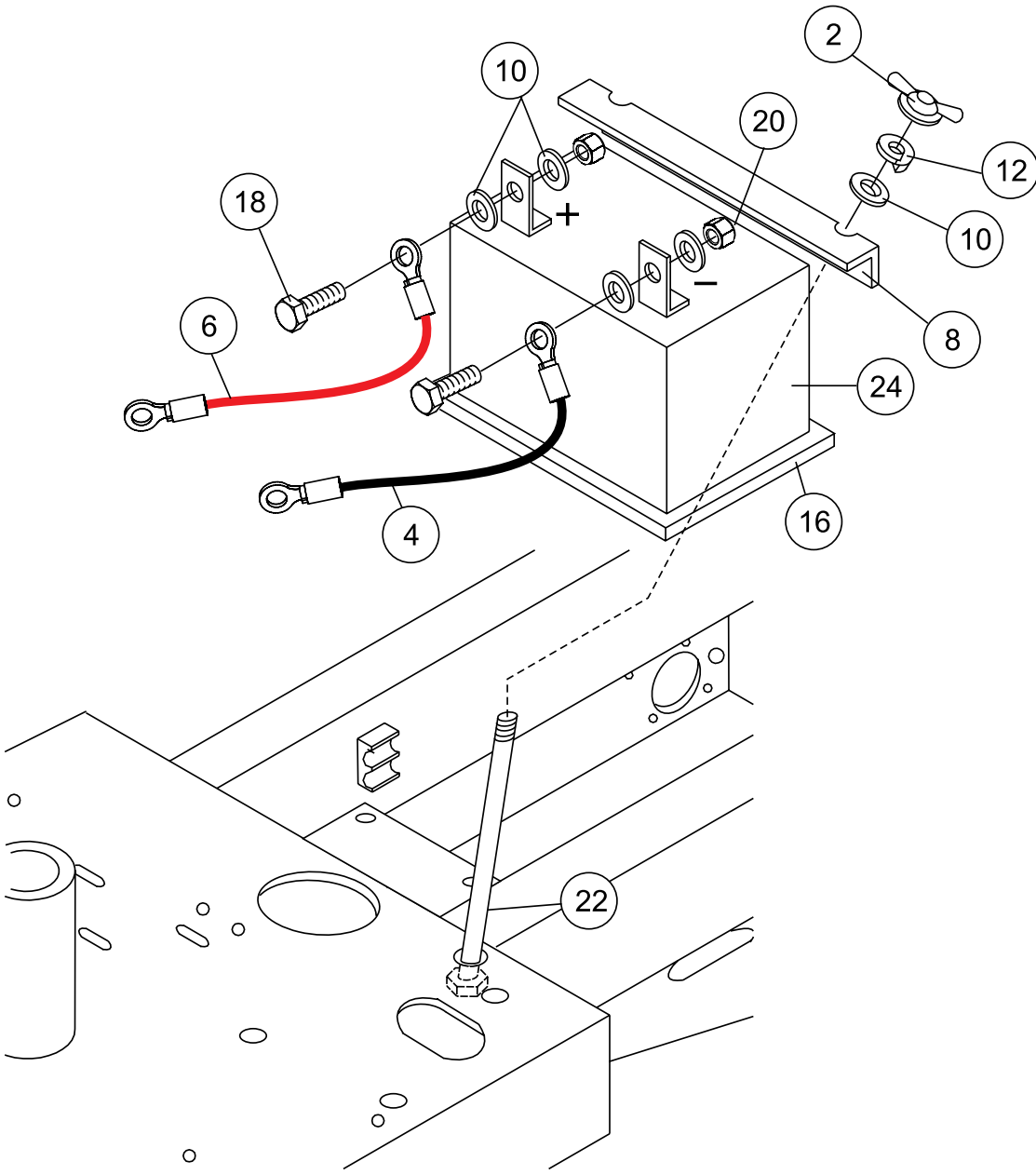
HYDRAULIC OIL TANK ASSY.



HYDRAULIC OIL TANK ASSY.

<u>NO.</u>	<u>PART NO.</u>	<u>PART NAME</u>	<u>QTY.</u>	<u>REMARKS</u>
1	520461	RETAINER	1	
2	801791	O-RING	1	
3	520460	COVER	1	
4	520343	O-RING	1	
5	510717	BOLT, 1/2"NC X 1-3/4"	1	
6	EM16477	CAP, HYDRAULIC OIL TANK	1	
7	18125	TANK, HYDRAULIC OIL	1	
8	EM963610	SCREW, HHC 3/8" X 1-1/4"	3.....	REPLACES P/N 492376
9	3019092	WASHER, FLAT 3/8".....	6.....	REPLACES P/N 492598
10	18229	SCREEN, OIL RESERVOIR	1	
11	EM969013	NUT, NYLOC 3/8"-16	3.....	REPLACES P/N 492583
12%		SCREW.....	2.....	NOT SOLD SEPARATELY
13	18052	SIGHT GAUGE, HYD. OIL TANK.....	1.....	INCLUDES ITEMS W/%
14	491213	PLUG, HYD. OIL TANK 3/4"-14 NPT	1	
15	506094	PLUG, HYD. OIL TANK 1/2" NPT	1	

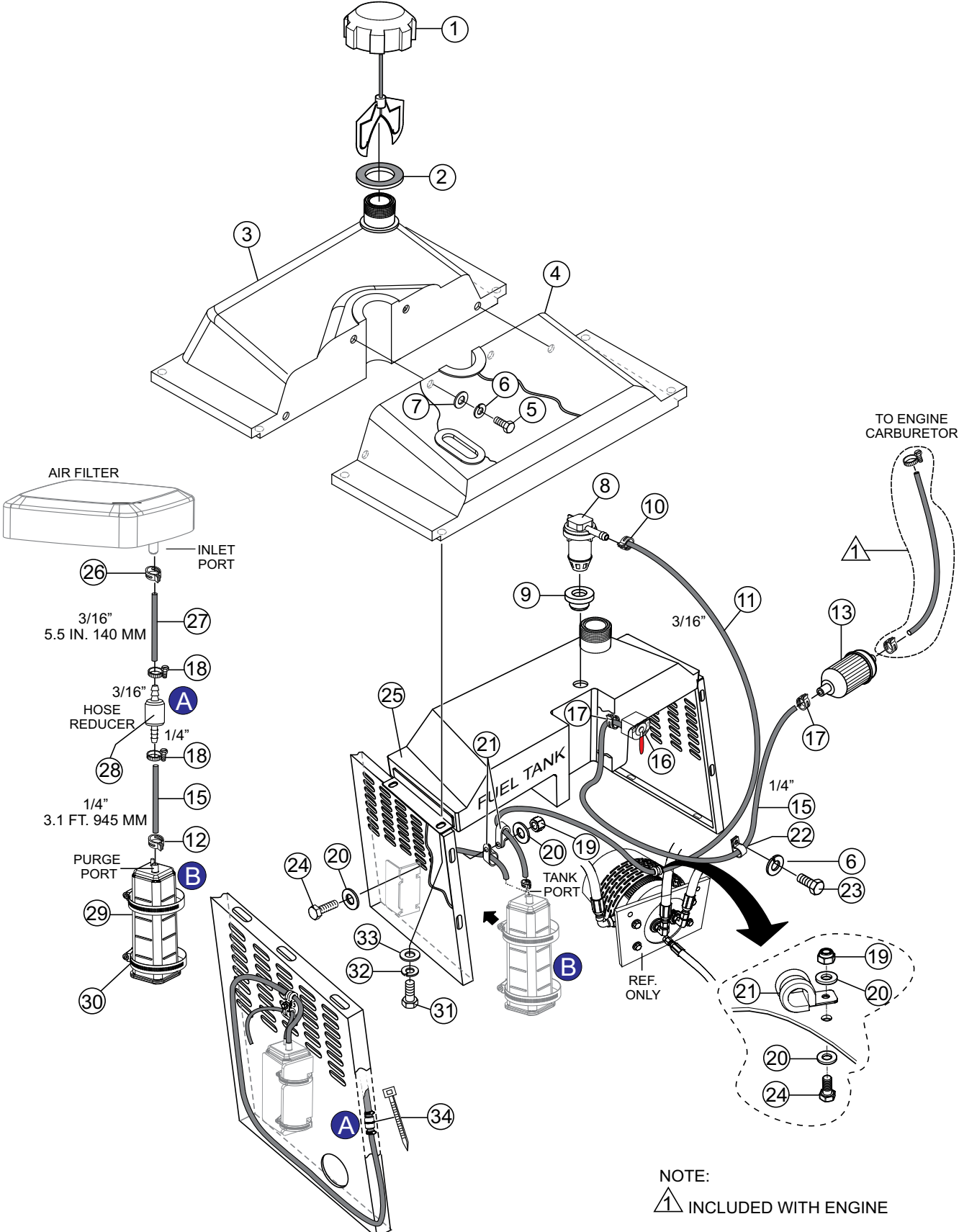
BATTERY ASSY.



BATTERY ASSY.

<u>NO.</u>	<u>PART NO.</u>	<u>PART NAME</u>	<u>QTY.</u>	<u>REMARKS</u>
2	505500	WINGNUT	2	
4	512557	BATTERY CABLE, NEGATIVE	1	
6	511250	BATTERY CABLE, POSITIVE	1	
8	512555	BATTERY SUPPORT BRACKET	1	
10	EM92305	WASHER, FLAT 1/4".....	6.....	REPLACES P/N 492596
12	2101402	WASHER, LOCK 1/4"	2.....	REPLACES P/N 492622
16	508480	BATTERY SUPPORT PLATFORM	1	
18	503118	BOLT 3/16" X 1"	2	
20	503119	NUT 3/16"	2	
22	512585	SUPPORT BRACKET BOLT	2	
24	4671	BATTERY	1	

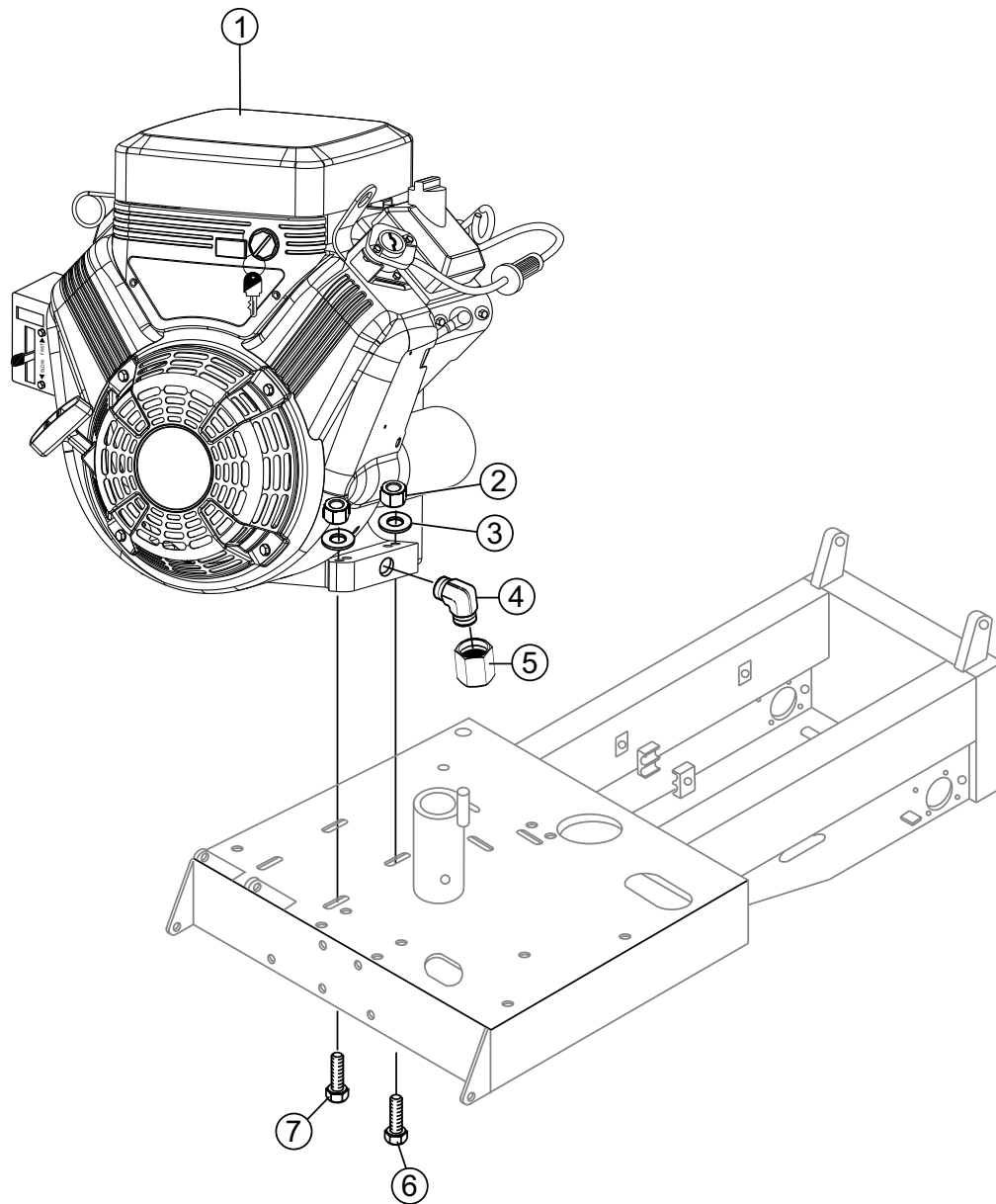
FUEL TANK ASSY.



FUEL TANK ASSY.

<u>NO.</u>	<u>PART NO.</u>	<u>PART NAME</u>	<u>QTY.</u>	<u>REMARKS</u>
1	520820	CAP, FUEL (EPA) 2" DIA.	1	
2	802006	FUEL TANK NECK SEAL	1	
3	800845	COVER, FUEL TANK, FRONT	1	
4	521392	COVER, FUEL TANK, REAR	1	
5	492356	SCREW, 1/4" X 3/4" GRD 5	4	
6	492622	WASHER, LOCK 1/4"	4	
7	509161	WASHER, FLAT 5/16"	4	
8	EM202772	VENT VALVE, EPA	1	
9	EM203403	GROMMET, VENT VALVE	1	
10	802498	TENSION CLAMP	1	
11	60004	HOSE, FUEL, Ø.1875, LOW PERM 50PSI 41"	1	
12	802573	TENSION CLAMP	1	
13	845125	FILTER, IN-LINE FUEL	1	
15	520611	HOSE, FUEL, 1/4" EPA (3.1 FT.)	4	1PC=1FT
16	22081	VALVE, FUEL SHUT-OFF	1	
17	802574	TENSION CLAMP	1	
18	506208	CLAMP, FUEL HOSE	3	
19	492581	NUT, NYLOC 1/4"	2	
20	492595	WASHER, FLAT 1/4"	2	
21	801130	CLAMP, RUBBER COATED	3	
22	511807	CLAMP NYLON 5/8"	1	
23	492355	SCREW, 1/4" NC X 1/2" GRD 5	1	
24	800056	BOLT, HHCC 1/4" NC X 3/4" GRD 5	2	
25	800841	TANK, FUEL	1	
26	802498	TENSION CLAMP	3	
27	520833	HOSE, AIR FILTER 3/16" (5.5") EPA	1	1PC=1FT
28	802405	HOSE REDUCER, 1/4" TO 3/16"	1	
29	23505	CANISTER, CHARCOAL, 390CC (EPA)	1	
30	510725	CLAMP	2	
31	492363	SCREW, 5/16" X 3/4" GRD 5	6	
32	EM923343	WASHER, LOCK 5/16"	8	REPLACES P/N 492623
33	EM923023	WASHER, FLAT 5/16"	8	REPLACES P/N 492597
34	491030	PLASTIC TIE WRAP	1	

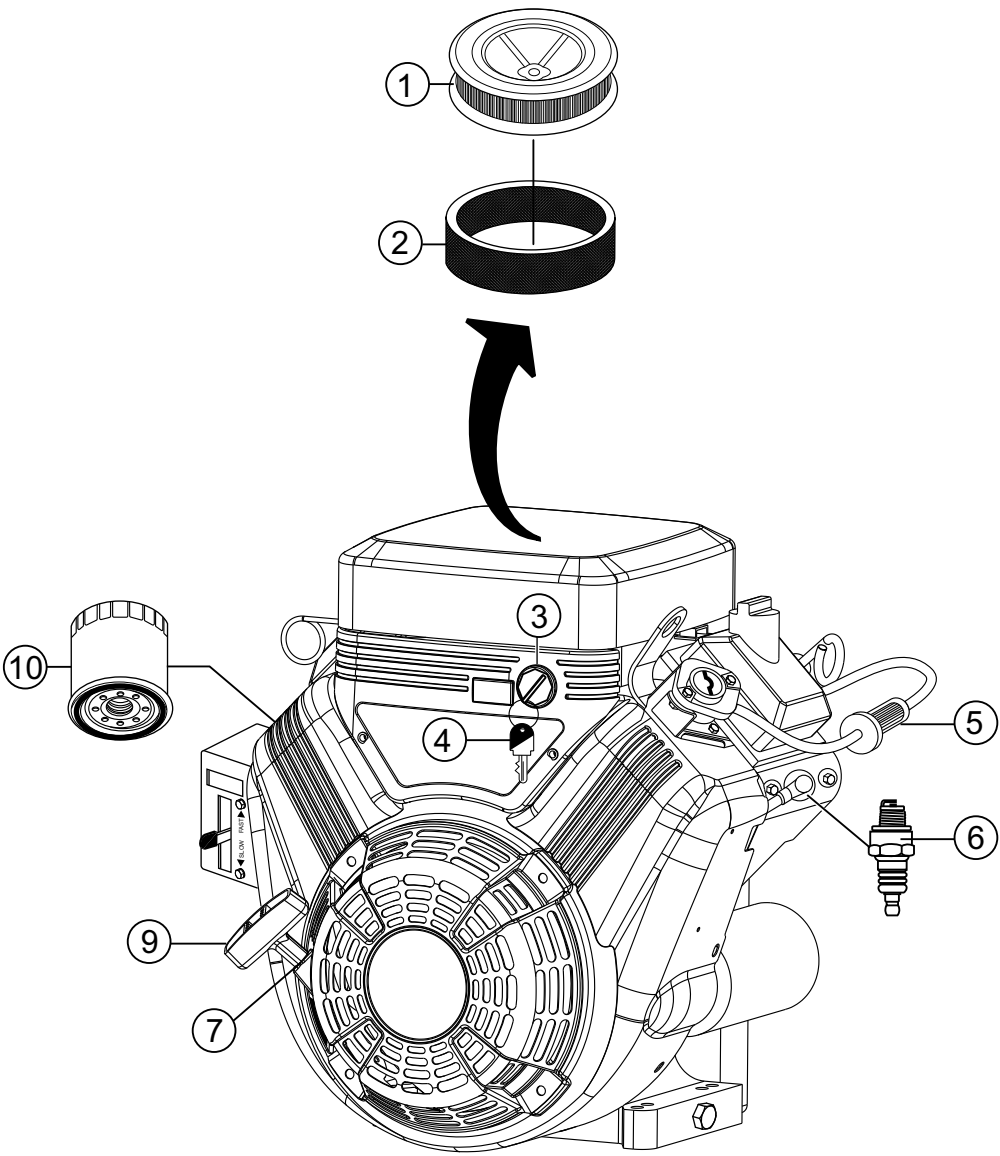
ENGINE MOUNTING ASSY.



ENGINE MOUNTING ASSY.

<u>NO.</u>	<u>PART NO.</u>	<u>PART NAME</u>	<u>QTY.</u>	<u>REMARKS</u>
1	3564470394G1	ENGINE, B&S 18HP VANGUARD	1	
2	492581	NUT, NYLOC 5/6"	4	
3	EM923023	WASHER, FLAT 3/8"	4.....	REPLACES P/N 505679
4	513593	90° FITTING	1	
5	513594	ADAPTER PLUG	1	
6	492368	SCREW, 5/16" NC X 2" GRD 5.....	1.....	GROUND CONNECTION
7	2105162	SCREW, 5/16" NC X 1-3/4" GRD 5	3.....	REPLACES P/N 492367

ENGINE SERVICE PARTS



ENGINE SERVICE PARTS

<u>NO.</u>	<u>PART NO.</u>	<u>PART NAME</u>	<u>QTY.</u>	<u>REMARKS</u>
1	394018S	AIR FILTER	1	
2	272490S	PRE-CLEANER	1	
3	692318	IGNITION SWITCH, W/KEY	1	
4	691959	IGNITION KEY SET	2	
5	845125	IN-LINE FUEL FILTER	1	
6	496018S	SPARK PLUG, CHAMPION	2	
7	66574	ROPE STARTER	1	
9	808167	GRIP STARTER	1	
10	842921	OIL FILTER	1	

PARTS MANUAL

HERE'S HOW TO GET HELP

PLEASE HAVE THE MODEL AND SERIAL
NUMBER ON-HAND WHEN CALLING

UNITED STATES

Multiquip Inc.

(310) 537- 3700
6141 Katella Avenue Suite 200
Cypress, CA 90630
E-MAIL: mq@multiquip.com
WEBSITE: www.multiquip.com

CANADA

Multiquip

(450) 625-2244
4110 Industriel Boul.
Laval, Quebec, Canada H7L 6V3
E-MAIL: infocanada@multiquip.com

UNITED KINGDOM

Multiquip (UK) Limited Head Office

0161 339 2223
Unit 2, Northpoint Industrial Estate, Globe Lane,
Dukinfield, Cheshire SK16 4UJ
E-MAIL: sales@multiquip.co.uk

© COPYRIGHT 2023, MULTIQUIP INC.

Multiquip Inc, the MQ logo are registered trademarks of Multiquip Inc. and may not be used, reproduced, or altered without written permission. All other trademarks are the property of their respective owners and used with permission.

This manual MUST accompany the equipment at all times. This manual is considered a permanent part of the equipment and should remain with the unit if resold.

The information and specifications included in this publication were in effect at the time of approval for printing. Illustrations, descriptions, references and technical data contained in this manual are for guidance only and may not be considered as binding. Multiquip Inc. reserves the right to discontinue or change specifications, design or the information published in this publication at any time without notice and without incurring any obligations.

